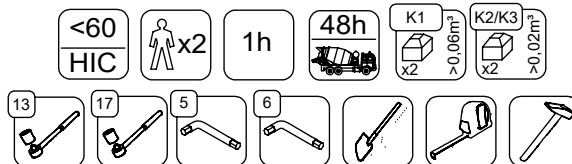
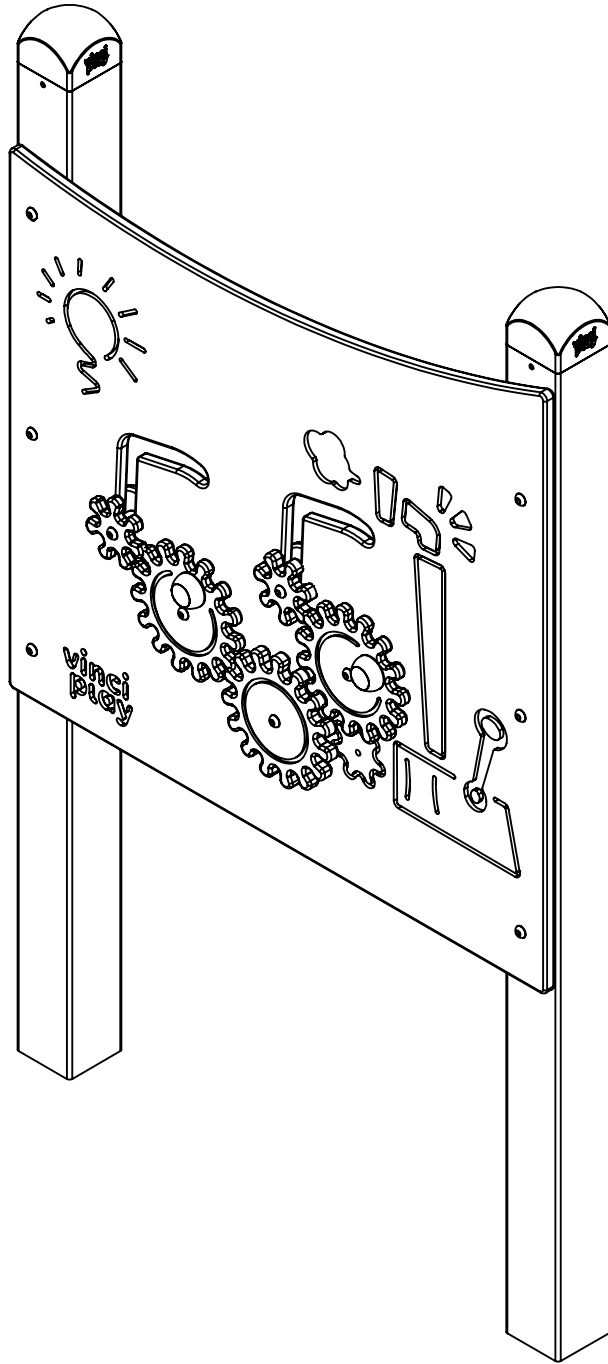


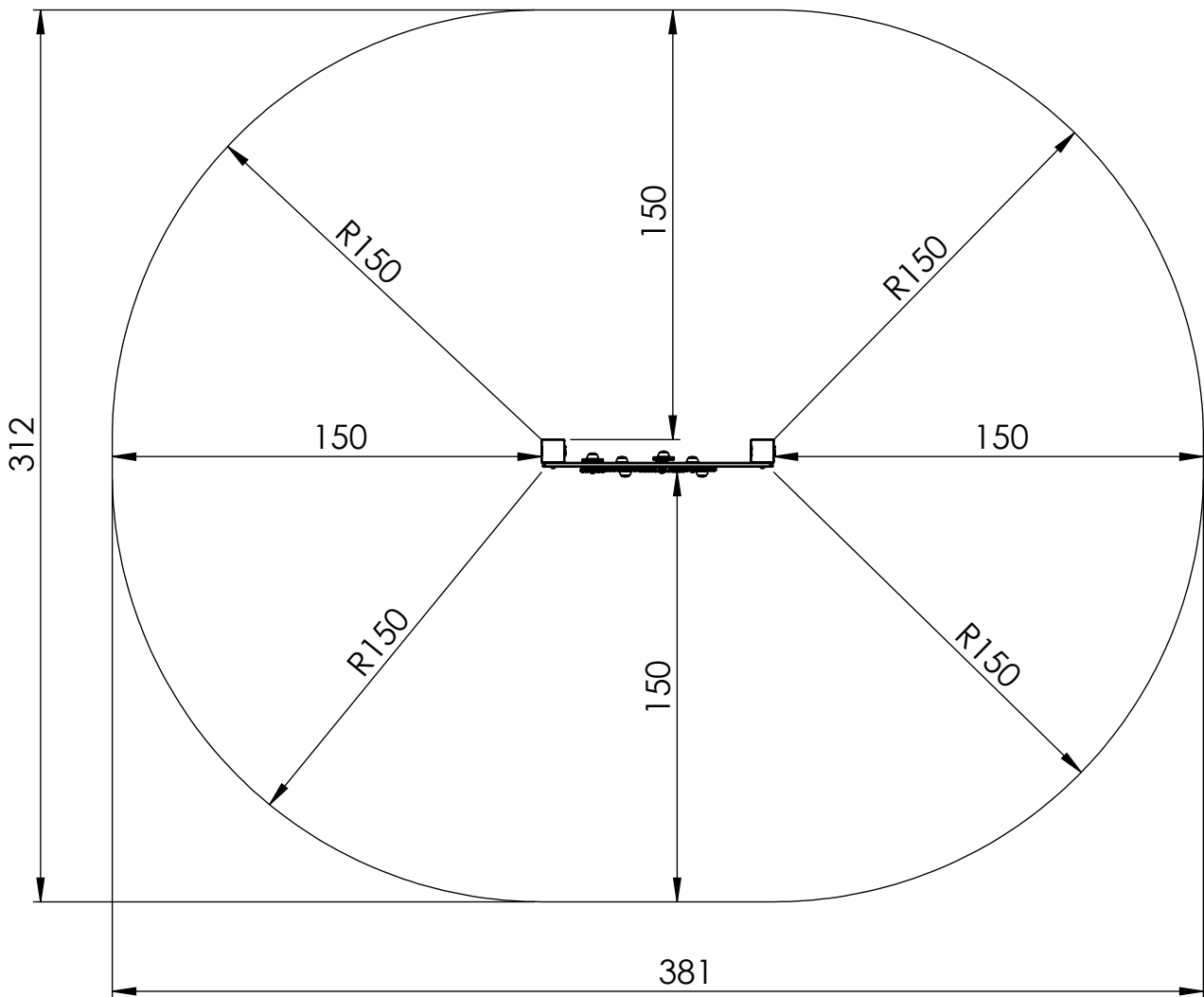
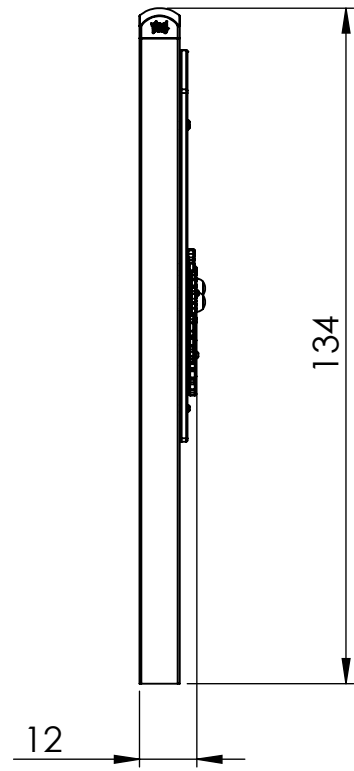
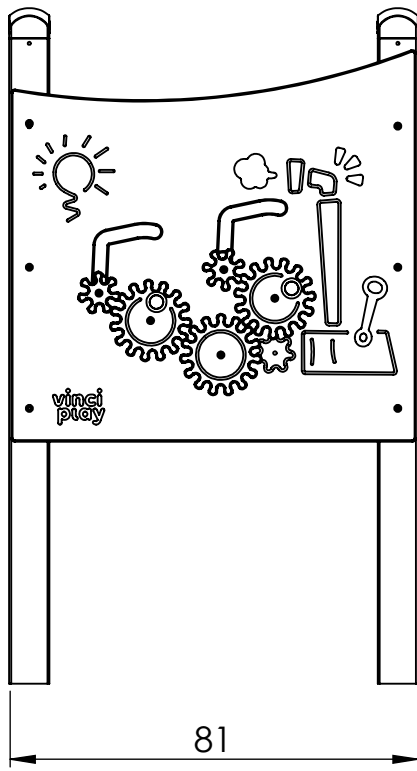
1762



[cm]

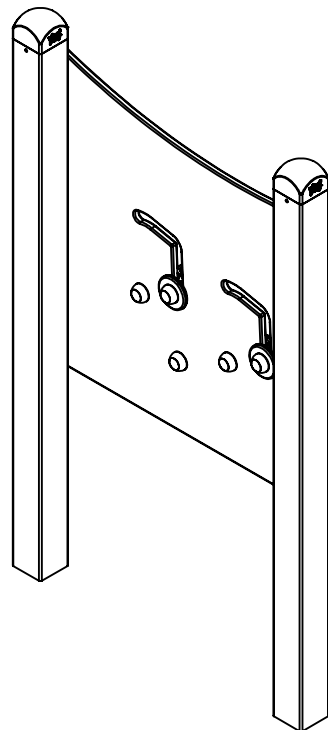
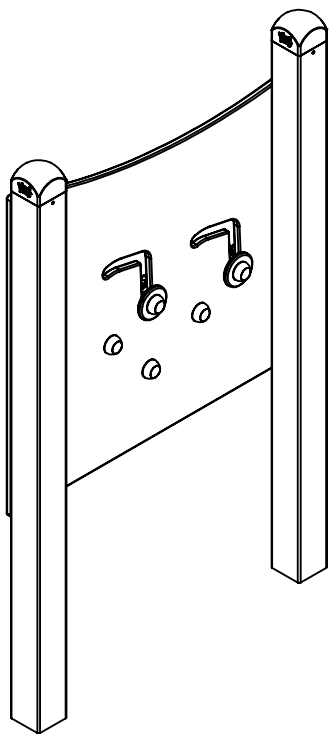
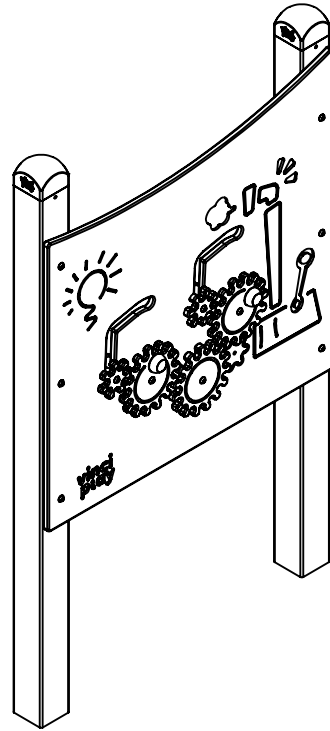
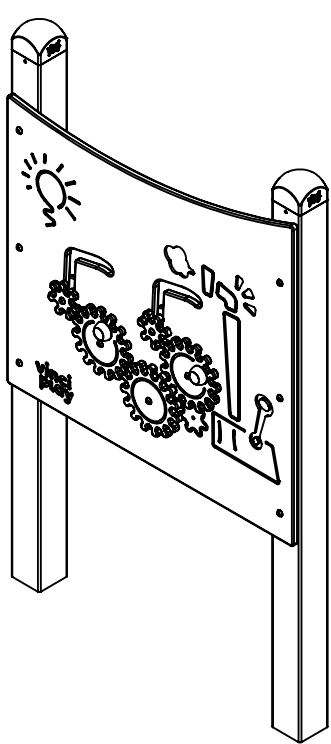
v012 / 03.08.2022
B.K.

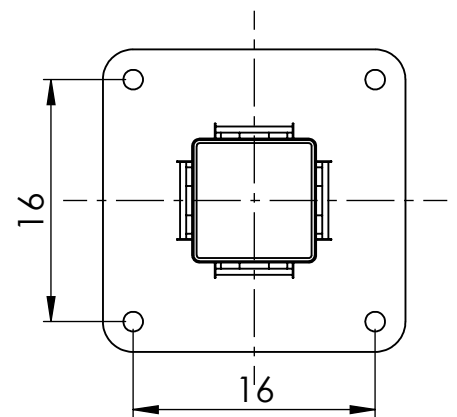
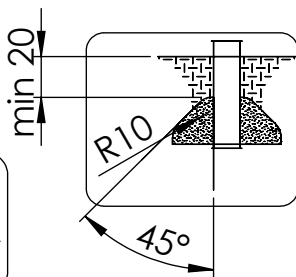
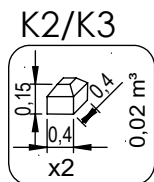
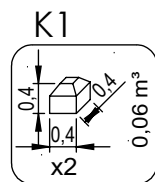
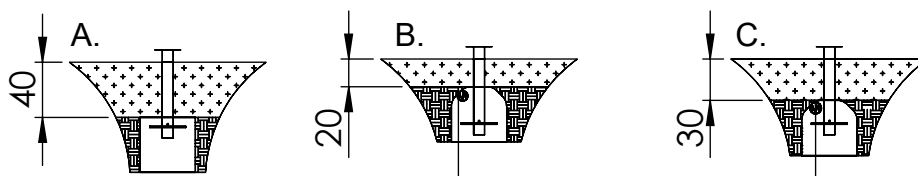
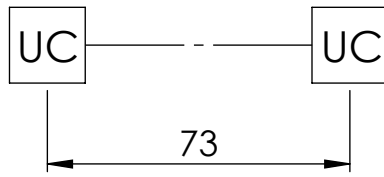
vinci
play



[cm]

vinci
play



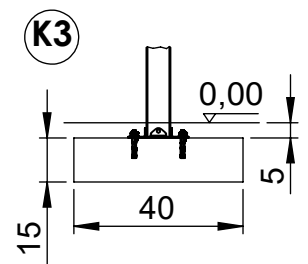
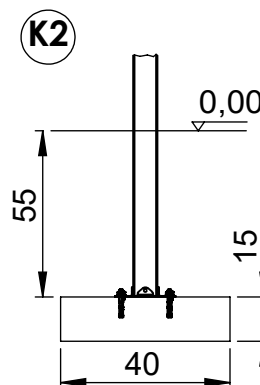
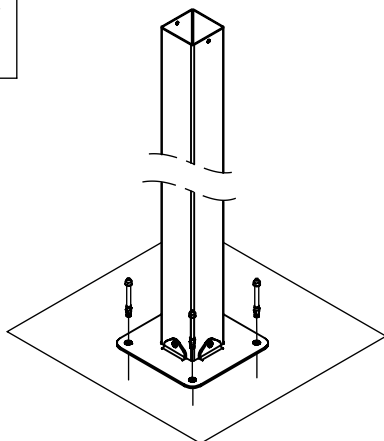


K2 K3

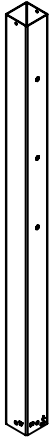
M10x120 x8

Ø10

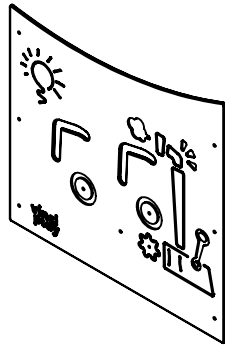
NOT INCLUDED



[cm]




17UC
x2



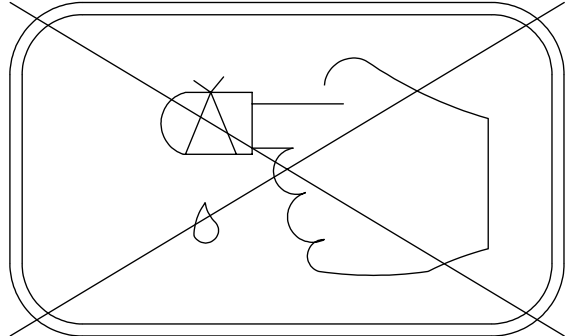
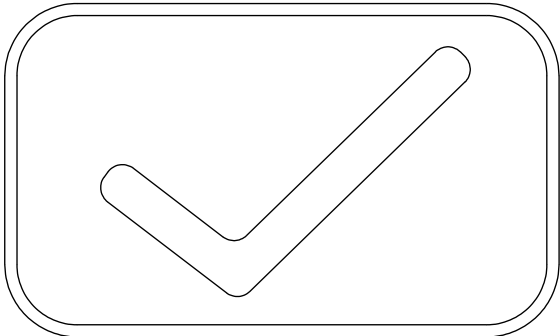
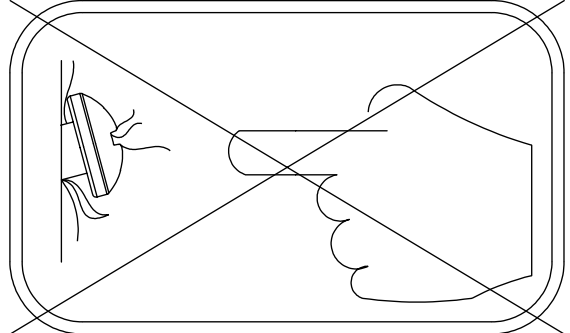
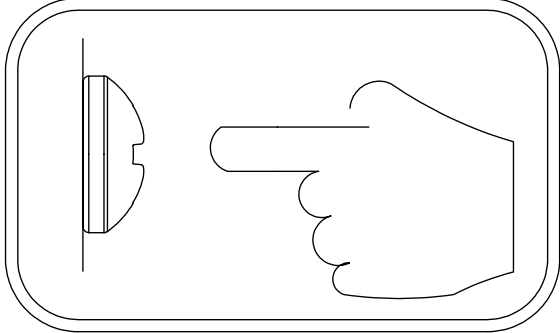
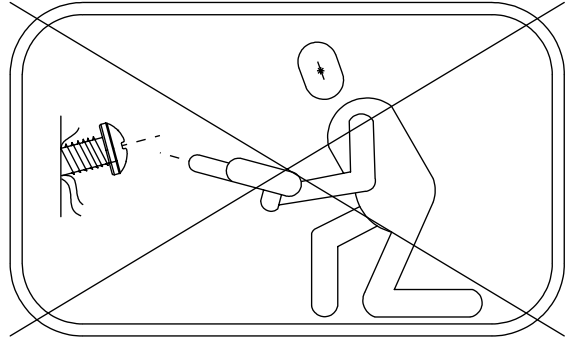
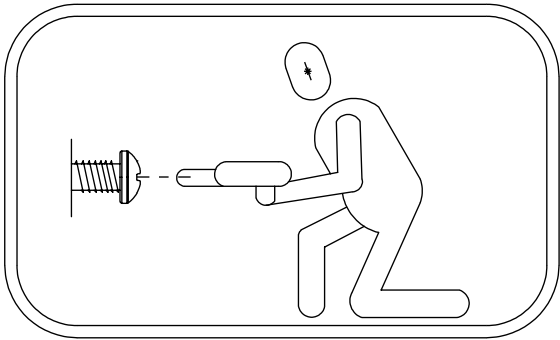
171139
x1

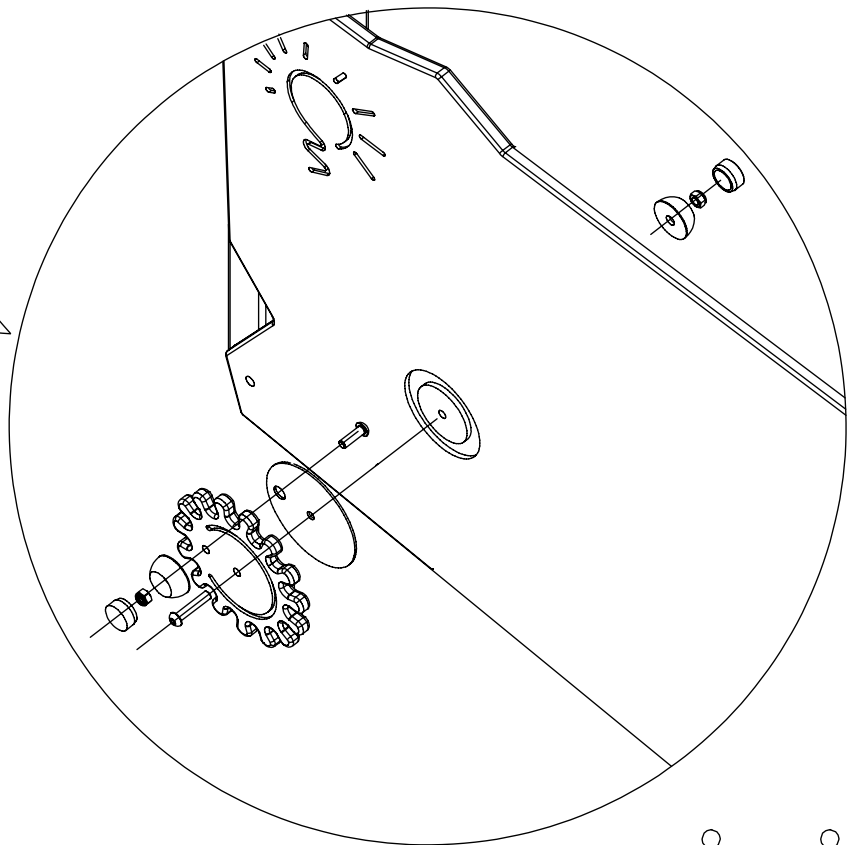
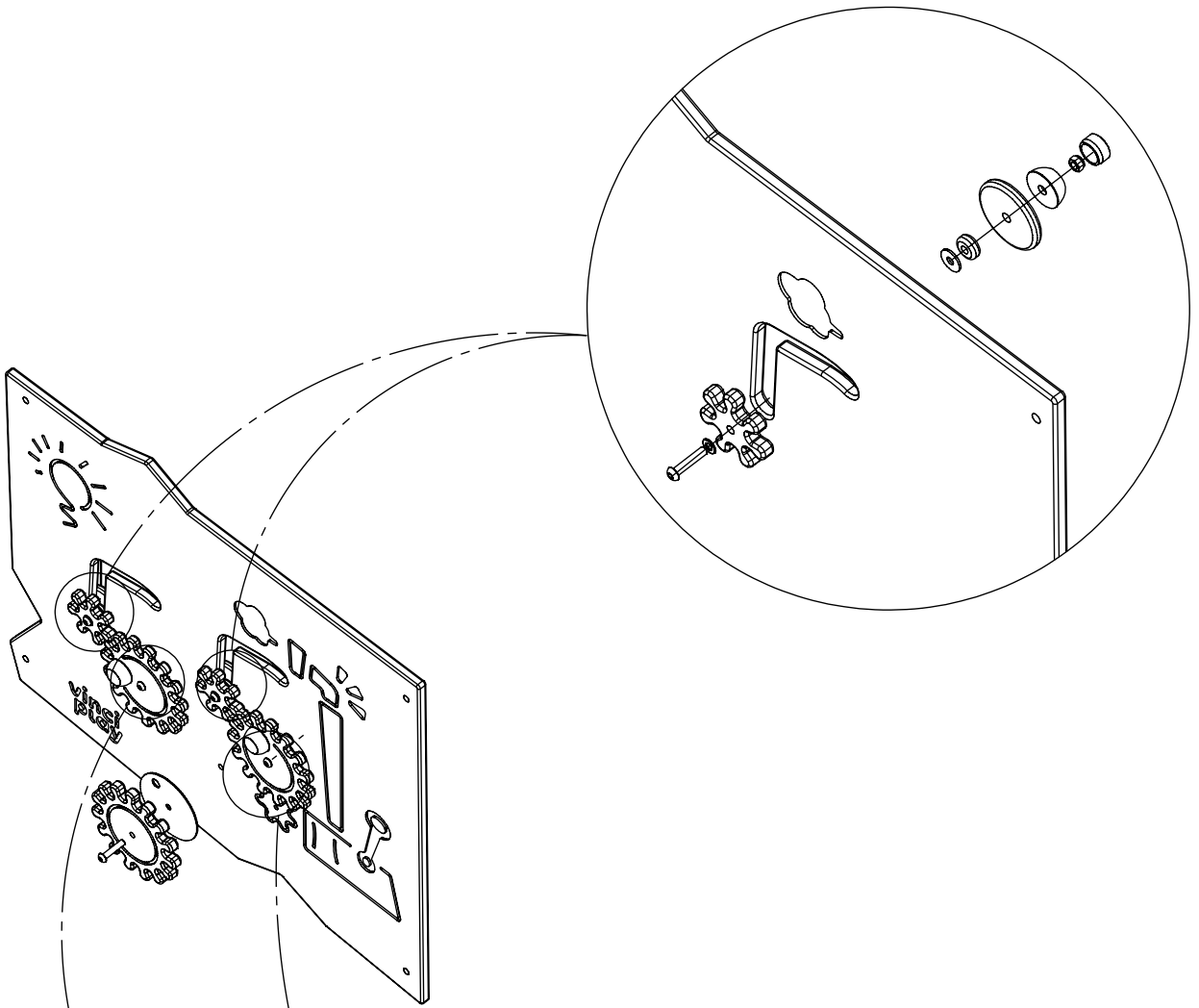
K2, K3



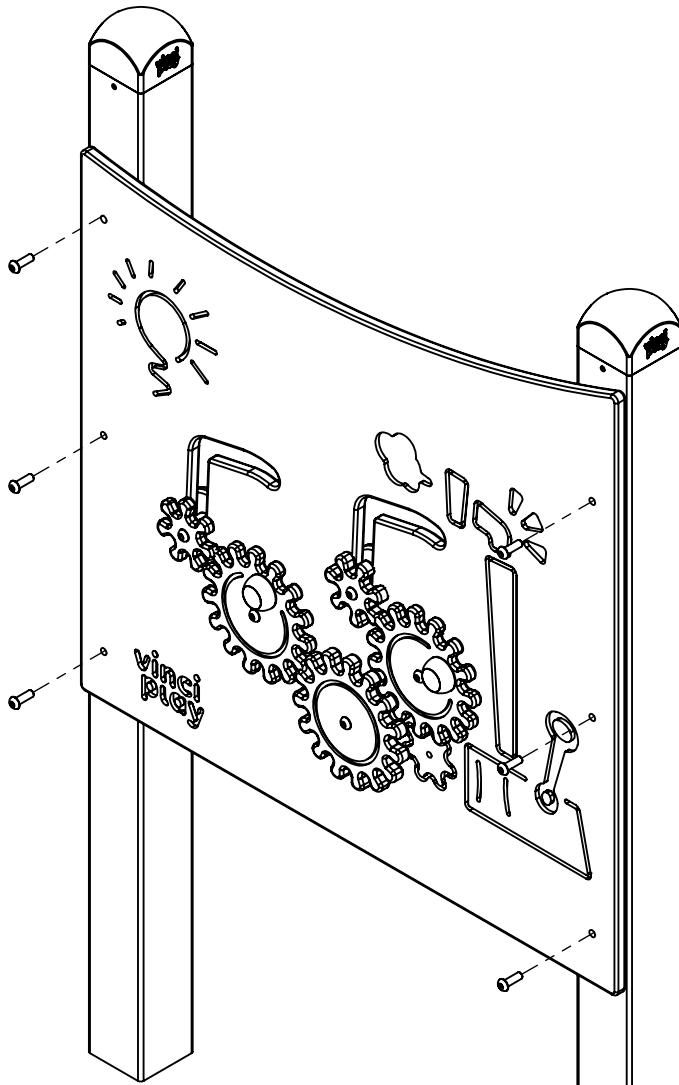
b231
x2

Qty.	ST/INOX
8	10 pp**
8	10 nh**
8	10x20 m**
6	8x30 ikl
1	WD19
1	V001

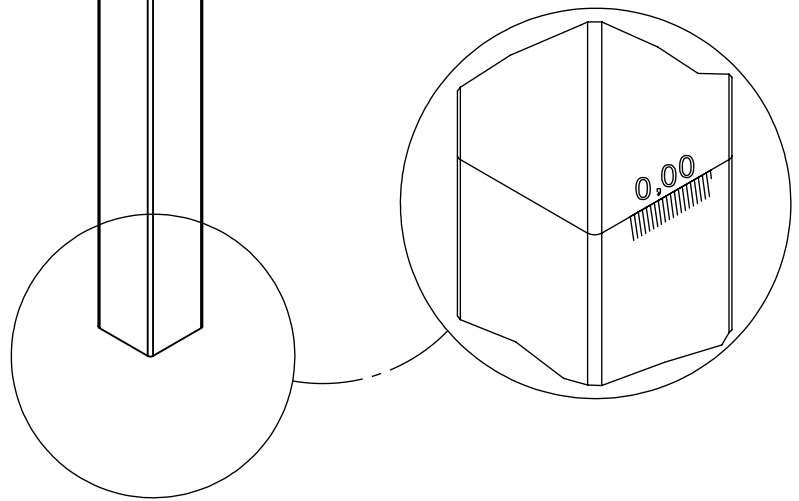




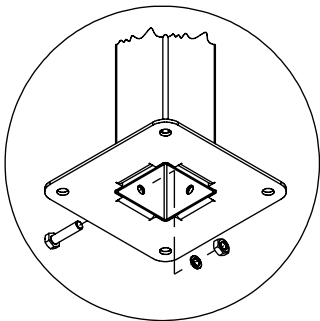
1x **WD19**



6x 8x30ikl



K2, K3

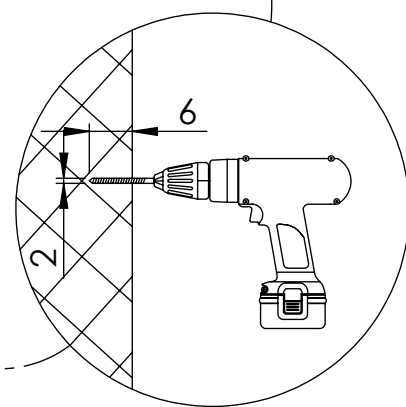
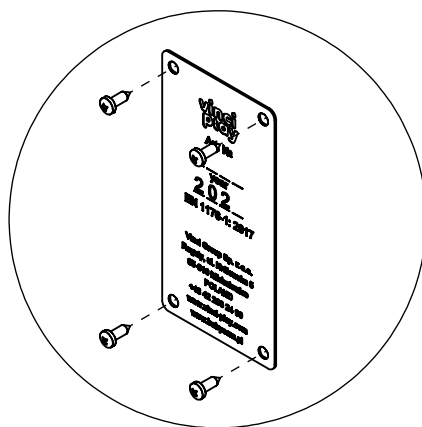
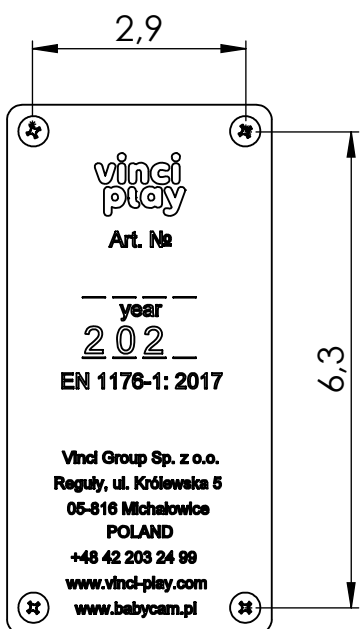
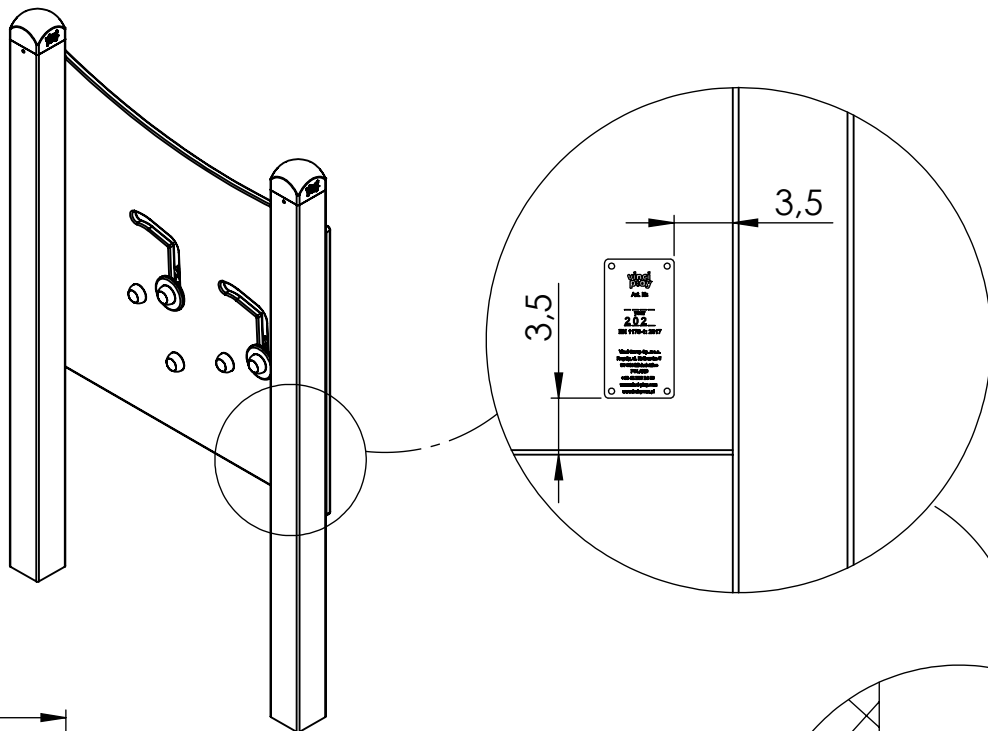


8x 10x20m

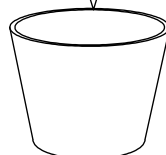
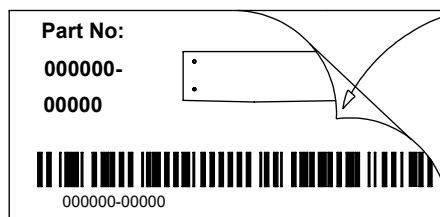
8x 10pp

8x 10nh

[cm]



V001



[cm]

vinci
play