

SWING ST0530-1



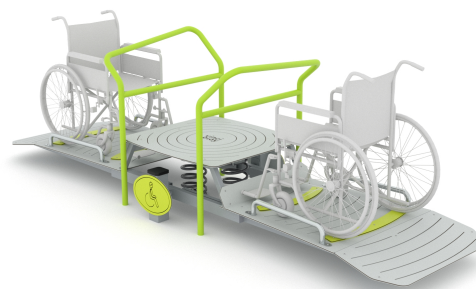
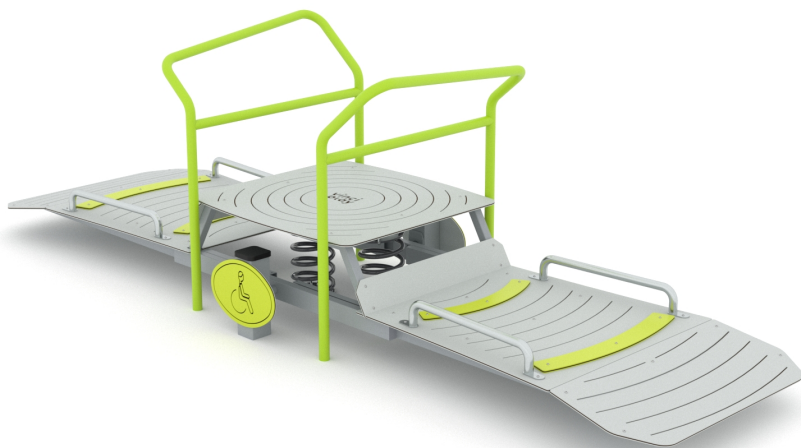
3 - 12 years



2 kids



27,3 m²



Material specification

- Hot-dip galvanized and powder coated steel construction,
- Platforms made of durable anti-slip and waterproof HPL plate,
- Steel springs 20 mm, iron phosphorated and powder coated,
- Stainless steel handrails,
- Stainless steel screws and/or screws covered with plastic caps,



Facilitating disability



easy access



handrails



integration



Physical development

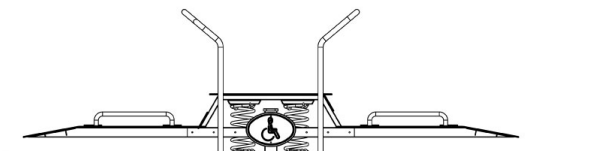
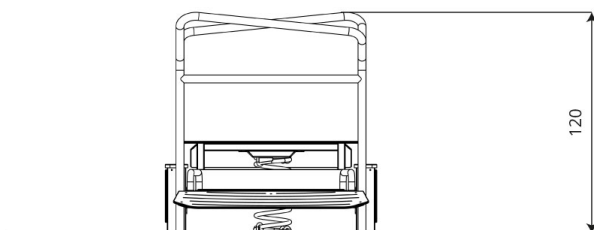
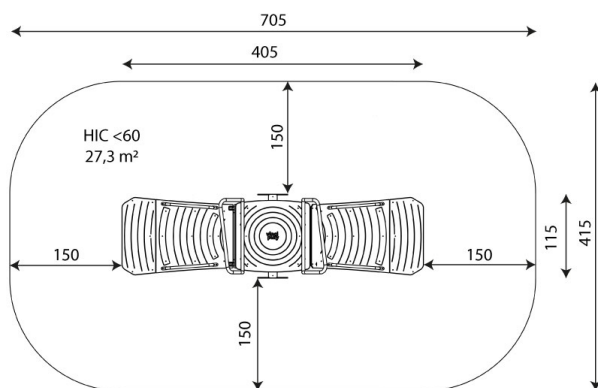


community



rocking





Product technical sheet

SWING ST0530-1

Product data

Length	405 cm
Width	115 cm
Total height	120 cm
Age group	3 - 12 years
Number of users	2 kids
Safety zone	27,3 m ²
Free fall height	<60 cm
In accordance with norm EN	1176-1:2017
Weight of the heaviest part	31 kg
Dimensions of the largest part	80x35x137 cm
Availability of spare parts	YES

Color options

Data is subject to change without prior notice.

Additional information

- equipment adapted for the disabled; intended for public playgrounds;
- equipment has a certificate issued by an accredited entity or a declaration of conformity;
- no sharp edges or chinks that would pose a danger of jimmieing the head, fingers or any other body parts;
- render is for reference only, the actual appearance of the equipment and its color may vary;

Guarantee

30

30 year guarantee - Structural strength of steel and stainless steel components

15

15 year guarantee - Structural failure of steel and stainless steel, for dynamic equipment

10

10 year guarantee - Structural failure of high density polyethylene and high pressure laminates components

5

5 year guarantee - Corrosion of stainless steel and hot dip galvanized and powder coated components; against bark beetles and rot in case of wooden structural elements

Detailed information in the guarantee card



Surfaces according to EN 1176-1:2017

	Description (mm)	Layer thickness (cm)	Maximum fall heights (cm)
Turf/ top layer of soil (A,B,C)	-	-	≤100
bark (A,C)	Particle size from 20 to 80	30	≤200
		40	≤300
woodchips (A,C)	Particle size from 5 to 30	30	≤200
		40	≤300
sand or gravel (A,C)	Particle size from 0,25 to 8	30	≤200
		40	≤300
synthetic attested (A,B,C)	Tested according to EN 1177		<60

Product technical sheet

SWING ST0530-1

Amount of safe surface corresponding with free fall height:

HIC <60 27,3 m²

Data is subject to change without prior notice.

