

## Product technical sheet

# WORKOUT 2318



14+



< 140 kg

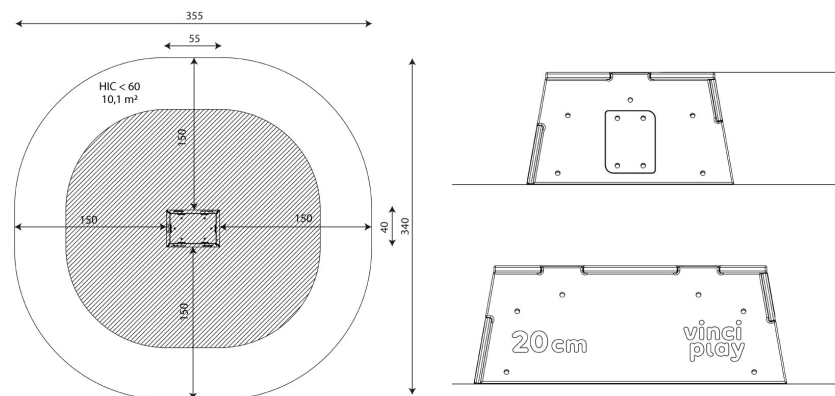


10,1 m<sup>2</sup>

### Product data

Length	55 cm
Width	40 cm
Total height	20 cm
Age group	14+ years
Maximum weight of user	140 kg
Safety zone	10,1 m <sup>2</sup>
Free fall height	< 60 cm
In accordance with norm EN	16630:2015
Weight of the heaviest part	1 kg
Dimensions of the largest part	20x50x1 cm
Availability of spare parts	YES
Installation time	2 h
Color options	<input checked="" type="radio"/>

Data is subject to change without prior notice.



Vinci Group Sp. z o.o.  
Seminaryjna 9 Street  
99-400 Łowicz

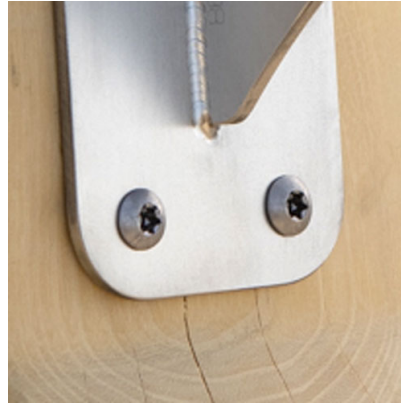
VAT: 534-250-14-46  
PHONE: +48 42 203 24 99 ext. 26  
M: +48 793 404 991

13/02/2024

## Material specification



Platforms made of durable anti-slip and waterproof HPL plate,



Stainless steel screws and/or screws covered with plastic caps,

## Additional information

- device intended for public outdoor gyms;
- equipment has a certificate issued by an accredited entity or a declaration of conformity;
- no sharp edges or chinks that would pose a danger of jimmieing the head, fingers or any other body parts;
- anchoring on flat surface, 80/70/60 cm deep;
- render is for reference only, the actual appearance of the equipment and its color may vary;

## Guarantee

- 30** 30 year guarantee - Structural strength of steel and stainless steel components
- 15** 15 year guarantee - Structural failure of steel and stainless steel, for dynamic equipment
- 10** 10 year guarantee - Structural failure of high density polyethylene and high pressure laminates components
- 5** 5 year guarantee - Corrosion of stainless steel and hot dip galvanized and powder coated components; against bark beetles and rot in case of wooden structural elements

Detailed information in the guarantee card

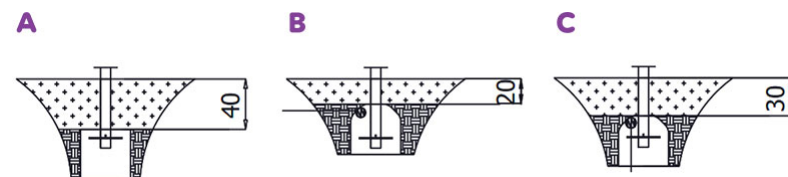
## Amount of safe surface corresponding with free fall height:

HIC <60 10,1 m<sup>2</sup>

Data is subject to change without prior notice.

## Surfaces according to EN 16630:2015

	Description (mm)	Layer thickness (cm)	Maximum fall height (cm)
Concrete / stone / bituminous surfaces (A, B, C)	-	-	≤100
outer soil layer (A,B,C)	-	-	≤120
Turf (A,B,C)	-	-	≤150
bark (A,C)	Particle size from 20 to 80	30	≤200
		40	≤300
wood shavings/cuttings (A, C)	Particle size from 5 to 30	30	≤200
		40	≤300
sand (A,C)	Particle size from 0,2 to 2 mm	30	≤200
		40	≤300
gravel (A,C)	Particle size from 2 to 8	30	≤200
		40	≤300
attested synthetic (A, B, C)	Tested according to EN 1177		< 60



Vinci Group Sp. z o.o.  
Seminaryjna 9 Street  
99-400 Łowicz

VAT: 534-250-14-46  
PHONE: +48 42 203 24 99 ext. 26  
M: +48 793 404 991

**workout**

biuro@vinci-play.com  
info@vinci-play.com  
[www.vinci-play.com](http://www.vinci-play.com)