

Product technical sheet

FITNESS 1148



14+



< 140 kg

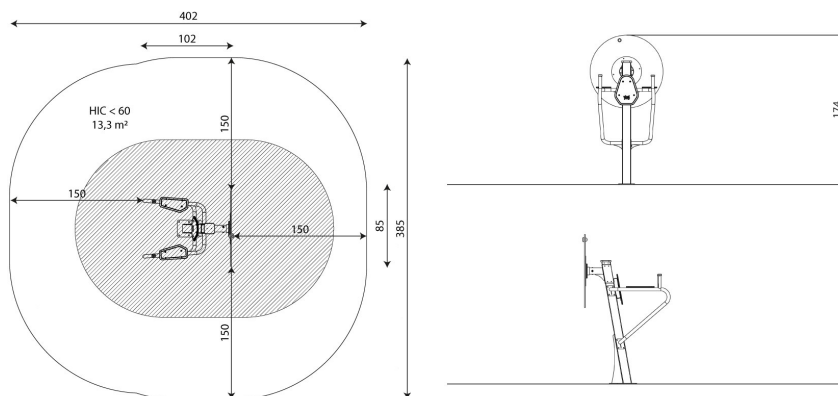


13,3 m2

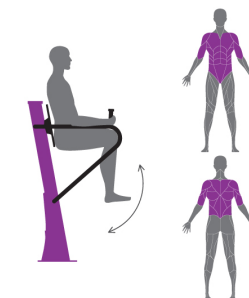
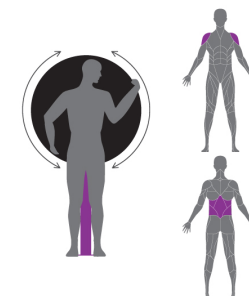
Product data

| | |
|--------------------------------|--------------|
| Length | 102 cm |
| Width | 85 cm |
| Total height | 174 cm |
| Age group | 14+ years |
| Maximum weight of user | 140 kg |
| Safety zone | 13,3 m2 |
| Free fall height | <60 cm |
| In accordance with norm EN | 16630:2015 |
| Weight of the heaviest part | 18 kg |
| Dimensions of the largest part | 41x19x141 cm |
| Availability of spare parts | YES |
| Installation time | 1 h |
| Color options | |

Data is subject to change without prior notice.



vinci
play



Vinci Group Sp. z o.o.
Seminaryjna 9 Street
99-400 Łowicz

VAT: 534-250-14-46
PHONE: +48 42 203 24 99 ext. 26
M: +48 793 404 991

22/07/2022

fitness

biuro@vinci-play.com
info@vinci-play.com
www.vinci-play.com

1 / 3

Material specification



Powder galvanized and powder-coated or stainless steel construction of 100 x 100 mm profile, durable end caps on the top of the structure made of plastic,



Polycarbonate exercise instructions information plate and phone holder made of durable HDPE plate, resistant to weather conditions,



Rotary elements made of polycarbonate,



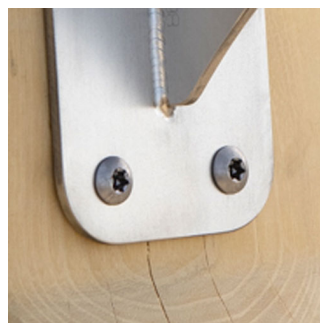
Seats/backrests made of durable HPL plate, resistant to weather conditions,



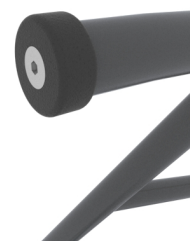
Powder galvanized and powder coated steel or stainless steel bars,



Moving elements based on bearings mechanism closed in casing, which do not require periodic greasing and maintenance, ensuring long service life of the device,



Stainless steel screws and/or screws covered with plastic caps,



Safe end caps on the top of the bar, made of durable HDPE plate, resistant to weather conditions,

Additional information

- equipment adapted for the disabled; device intended for public outdoor gyms;
- equipment has a certificate issued by an accredited entity or a declaration of conformity;
- no sharp edges or chinks that would pose a danger of jimmie the head, fingers or any other body parts;
- anchoring on flat surface, 80/70 cm deep;
- render is for reference only, the actual appearance of the equipment and its color may vary;

Guarantee

- 30** 30 year guarantee - Structural strength of steel and stainless steel components
- 15** 15 year guarantee - Structural failure of steel and stainless steel, for dynamic equipment
- 10** 10 year guarantee - Structural failure of high density polyethylene and high pressure laminates components
- 5** 5 year guarantee - Corrosion of stainless steel and hot dip galvanized and powder coated components; against bark beetles and rot in case of wooden structural elements

Detailed information in the guarantee card

Vinci Group Sp. z o.o.
Seminaryjna 9 Street
99-400 Łowicz

VAT: 534-250-14-46
PHONE: +48 42 203 24 99 ext. 26
M: +48 793 404 991

22/07/2022

fitness

biuro@vinci-play.com
info@vinci-play.com
www.vinci-play.com

2 / 3

Amount of safe surface corresponding with free fall height:

HIC <60 13,3 m²

Data is subject to change without prior notice.

Surfaces according to EN 16630:2015

| | Description (mm) | Layer thickness (cm) | Maximum fall height (cm) |
|--|--------------------------------|----------------------|--------------------------|
| Concrete / stone / bituminous surfaces (A, B, C) | - | - | ≤100 |
| outer soil layer (A,B,C) | - | - | ≤120 |
| Turf (A,B,C) | - | - | ≤150 |
| bark (A,C) | Particle size from 20 to 80 | 30 | ≤200 |
| | | 40 | ≤300 |
| wood shavings/cuttings (A, C) | Particle size from 5 to 30 | 30 | ≤200 |
| | | 40 | ≤300 |
| sand (A,C) | Particle size from 0,2 to 2 mm | 30 | ≤200 |
| | | 40 | ≤300 |
| gravel (A,C) | Particle size from 2 to 8 | 30 | ≤200 |
| | | 40 | ≤300 |
| attested synthetic (A, B, C) | Tested according to EN 1177 | | 60 |



Vinci Group Sp. z o.o.
Seminaryjna 9 Street
99-400 Łowicz

VAT: 534-250-14-46
PHONE: +48 42 203 24 99 ext. 26
M: +48 793 404 991

fitness

biuro@vinci-play.com
info@vinci-play.com
www.vinci-play.com