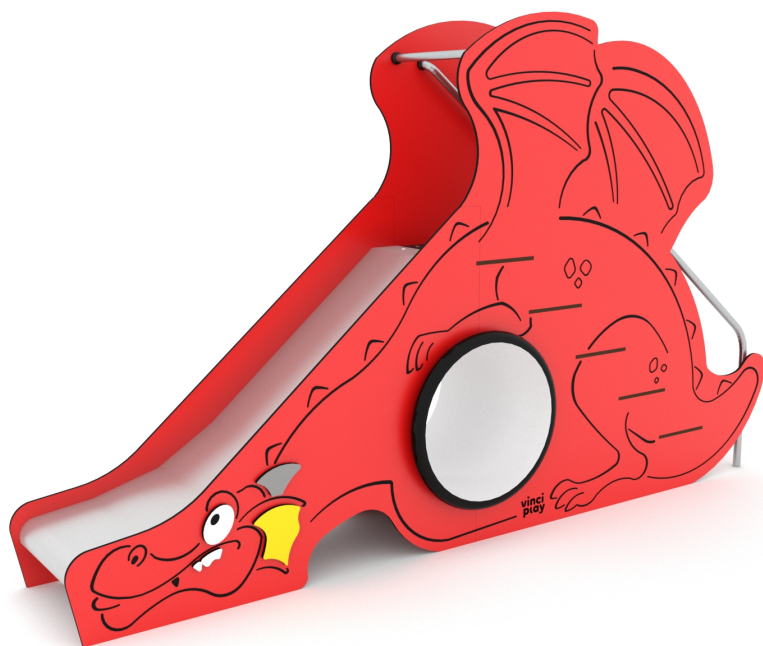


**SOLO 0826**



3 - 12 years



5 kids



18,4 m<sup>2</sup>

**Material specification**

- Hot-dip galvanized steel construction,
- Platforms and steps made of durable anti-slip and waterproof HPL plate,
- Side panels made of durable HDPE plate, resistant to weather conditions
- Slides made of stainless steel,
- Double wall tube passage made of polypropylene,
- Stainless steel bars,
- Screws covered with plastic caps and/or stainless steel screws,



**Physical development**



sliding



climbing



community



crawling





**1**  
number of slides



**1**  
number of activity  
elements

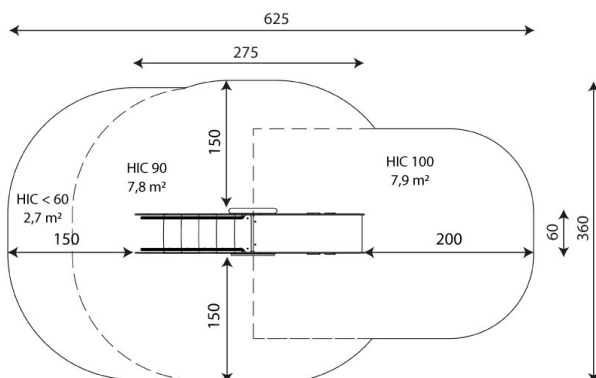


stairs

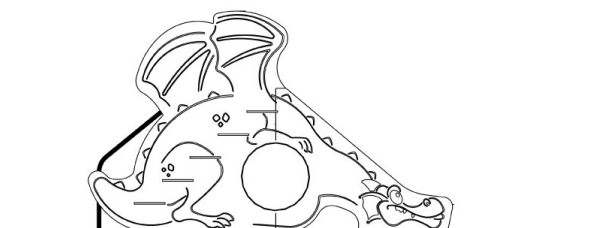
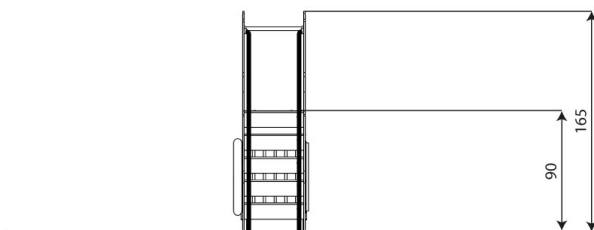
**Product technical sheet**

**SOLO 0826**

**Product data**



18,4 m²



Length	275 cm
Width	60 cm
Total height	165 cm
Age group	3 - 12 years
Number of users	5 kids
Safety zone	18,4 m²
Free fall height	90 cm
The height of the platforms	90 cm
slide platform height	90 cm
In accordance with norm EN	1176-1:2017
Weight of the heaviest part	27 kg
Dimensions of the largest part	165x275x1 cm
Availability of spare parts	YES
Installation time	4 h

Data is subject to change without prior notice.

**Additional information**

- equipment intended for public playgrounds;
- equipment has a certificate issued by an accredited entity or a declaration of conformity;
- no sharp edges or chinks that would pose a danger of jimmieing the head, fingers or any other body parts;
- anchoring on flat surface, 80/70/60 cm deep;
- slide should not be installed southwards;
- render is for reference only, the actual appearance of the equipment and its color may vary;

**Guarantee**

**30** 30 year guarantee - Structural strength of steel and stainless steel components

**15** 15 year guarantee - Structural failure of steel and stainless steel, for dynamic equipment

**10** 10 year guarantee - Structural failure of high density polyethylene and high pressure laminates components

**5** 5 year guarantee - Corrosion of stainless steel and hot dip galvanized and powder coated components; against bark beetles and rot in case of wooden structural elements

Detailed information in the guarantee card



## Surfaces according to EN 1176-1:2017

	Description (mm)	Layer thickness (cm)	Maximum fall heights (cm)
Turf/ top layer of soil (A,B,C)	-	-	≤100
bark (A,C)	Particle size from 20 to 80	30	≤200
		40	≤300
woodchips (A,C)	Particle size from 5 to 30	30	≤200
		40	≤300
sand or gravel (A,C)	Particle size from 0,25 to 8	30	≤200
		40	≤300
synthetic attested (A,B,C)	Tested according to EN 1177		100

## Product technical sheet

# SOLO 0826

### Amount of safe surface corresponding with free fall height:

HIC <60	2,7 m <sup>2</sup>
HIC 90	7,8 m <sup>2</sup>
HIC 100	7,9 m <sup>2</sup>

Data is subject to change without prior notice.

