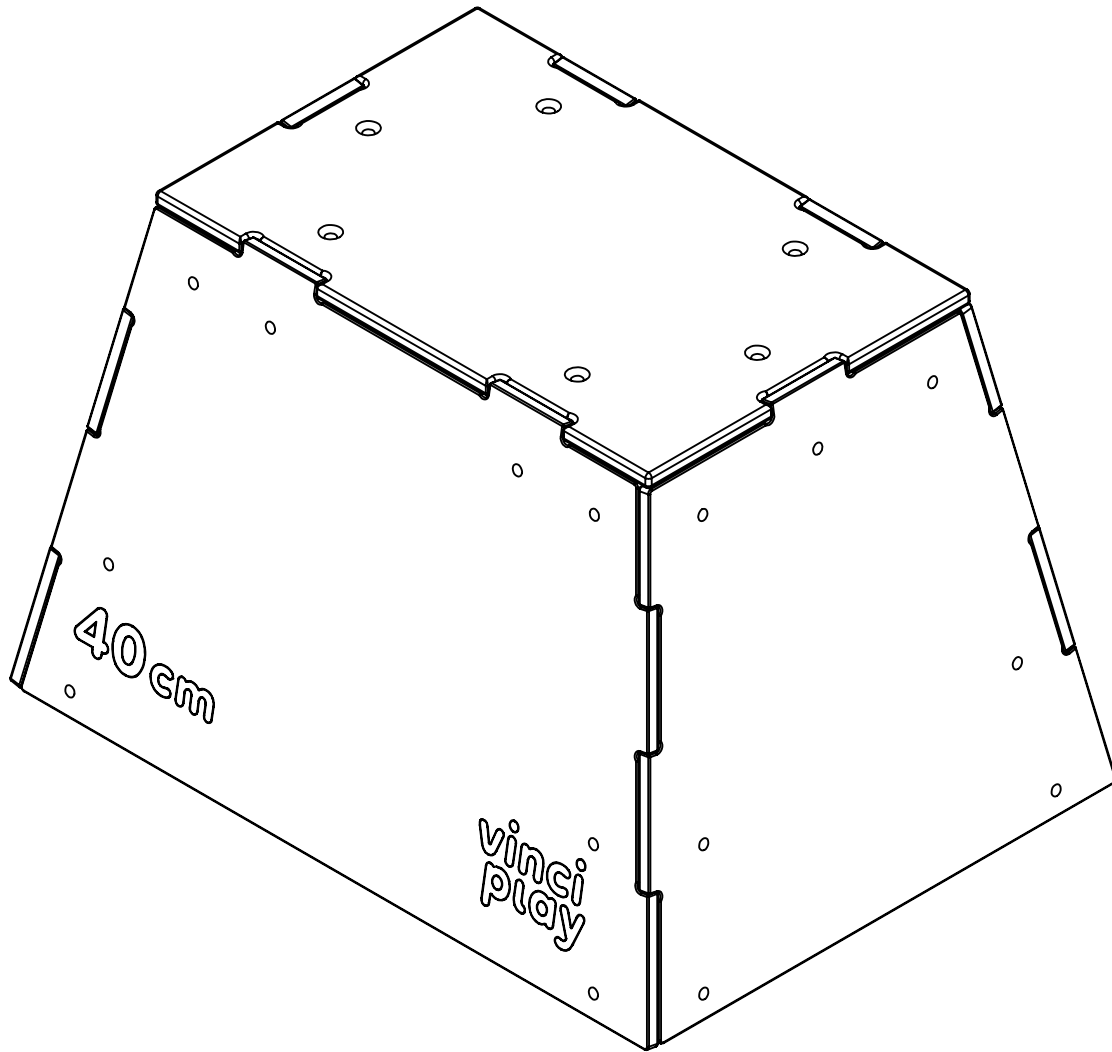


2319



2h

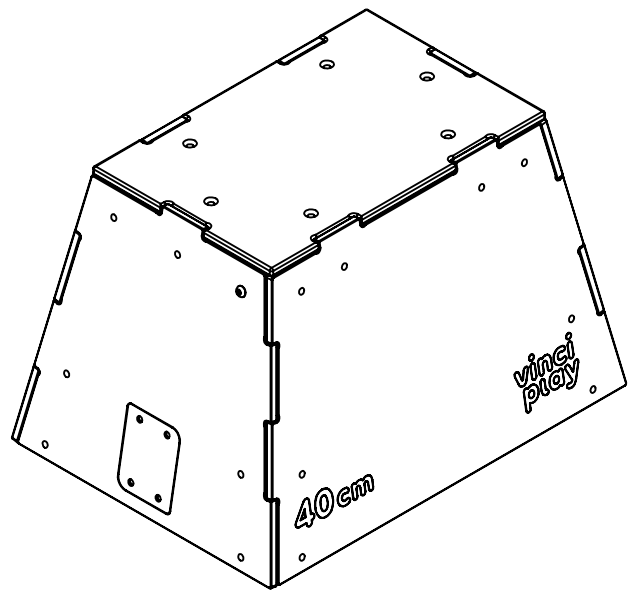
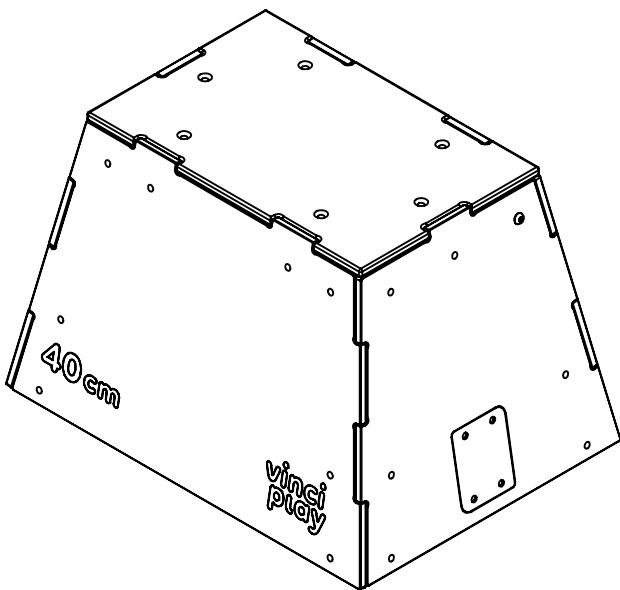
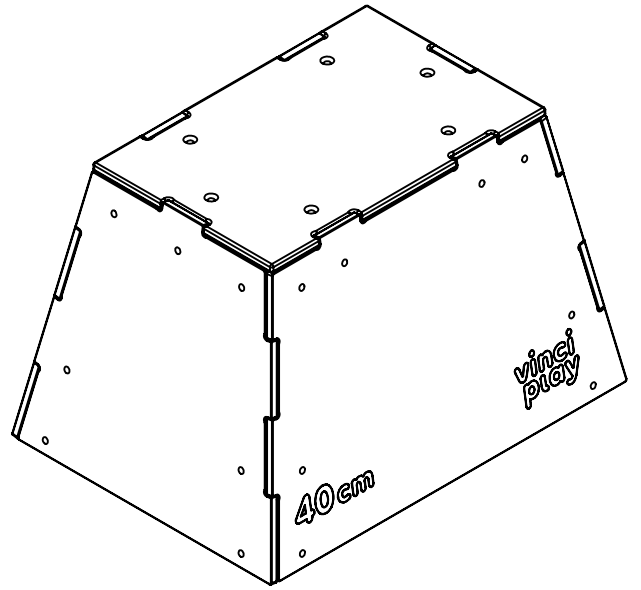
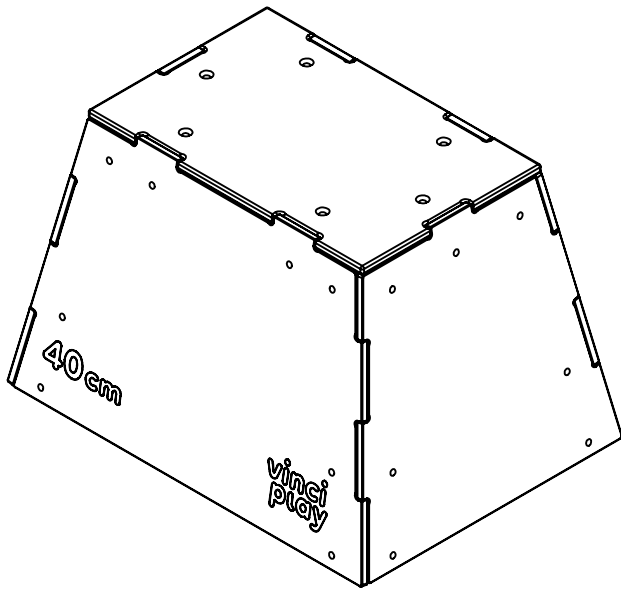


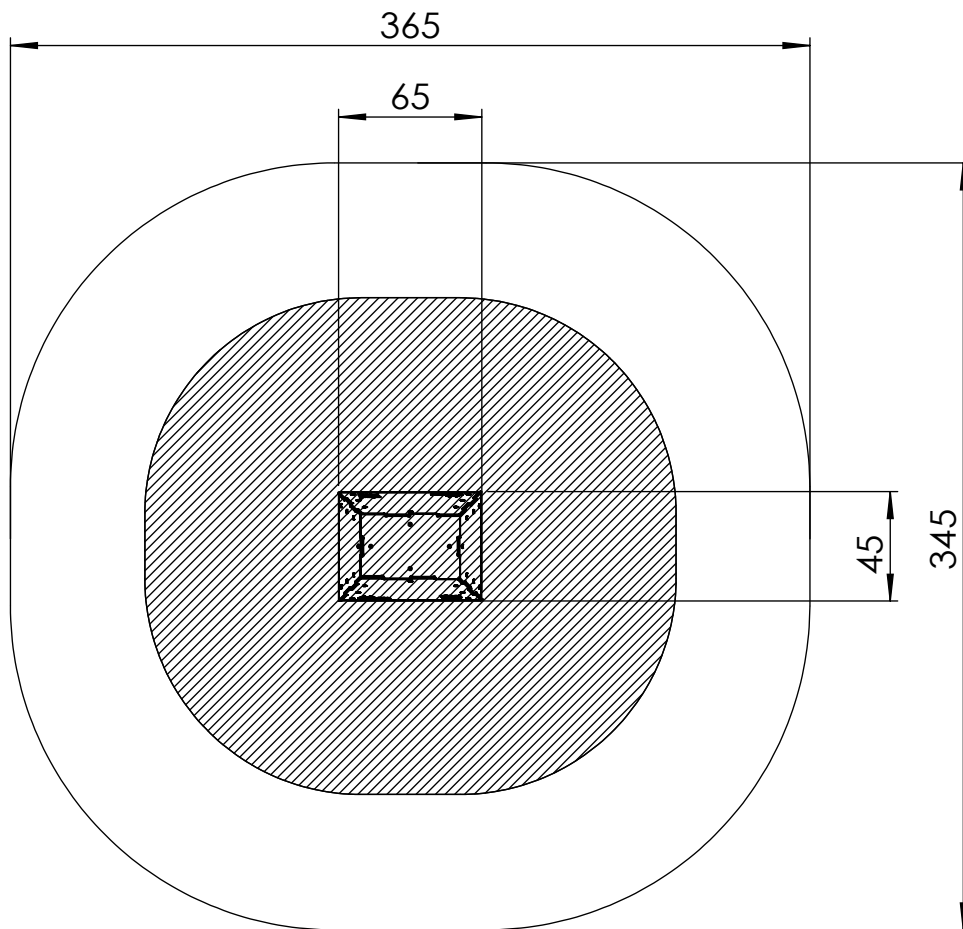
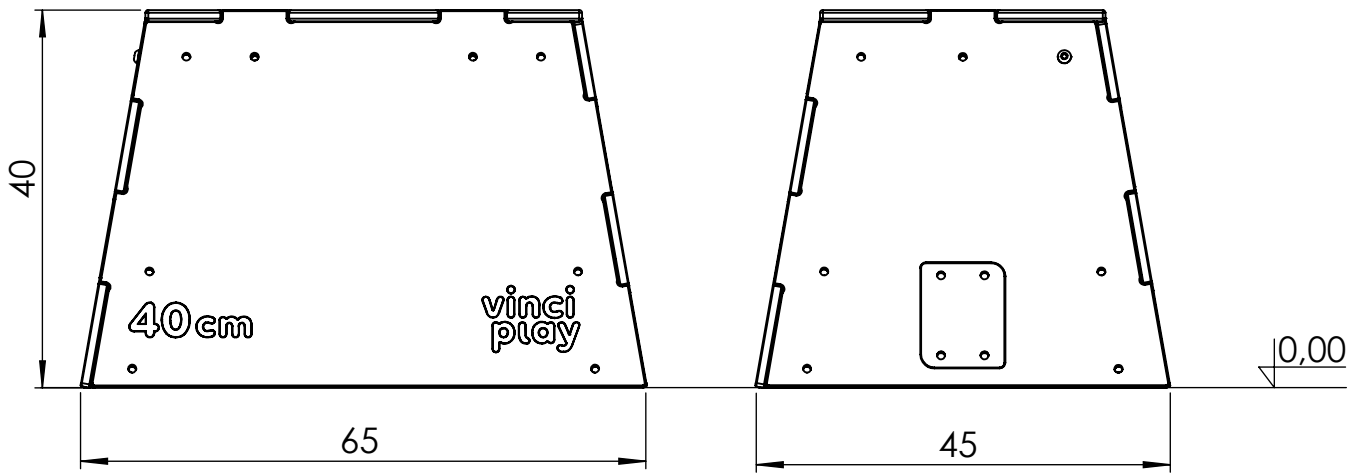
40
HIC



v010
18.01.2024
K.M.
[cm]

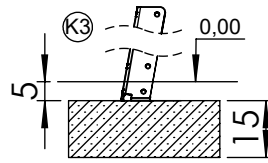
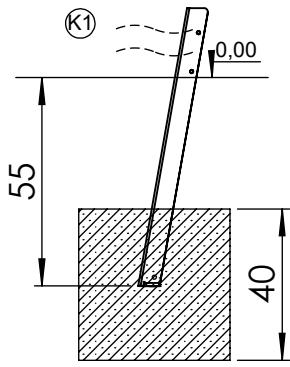
vinci
play



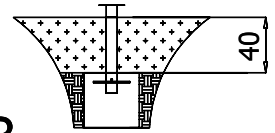


[cm]

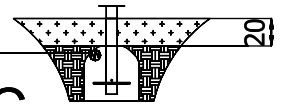
vinci
play



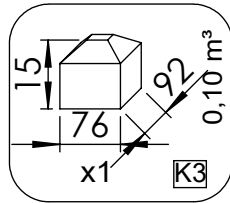
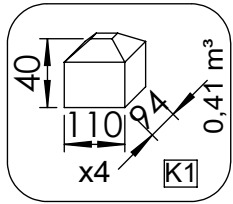
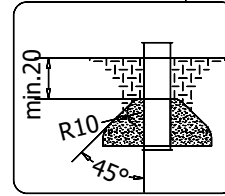
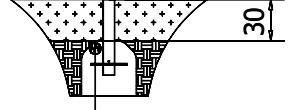
A.



B.



C.

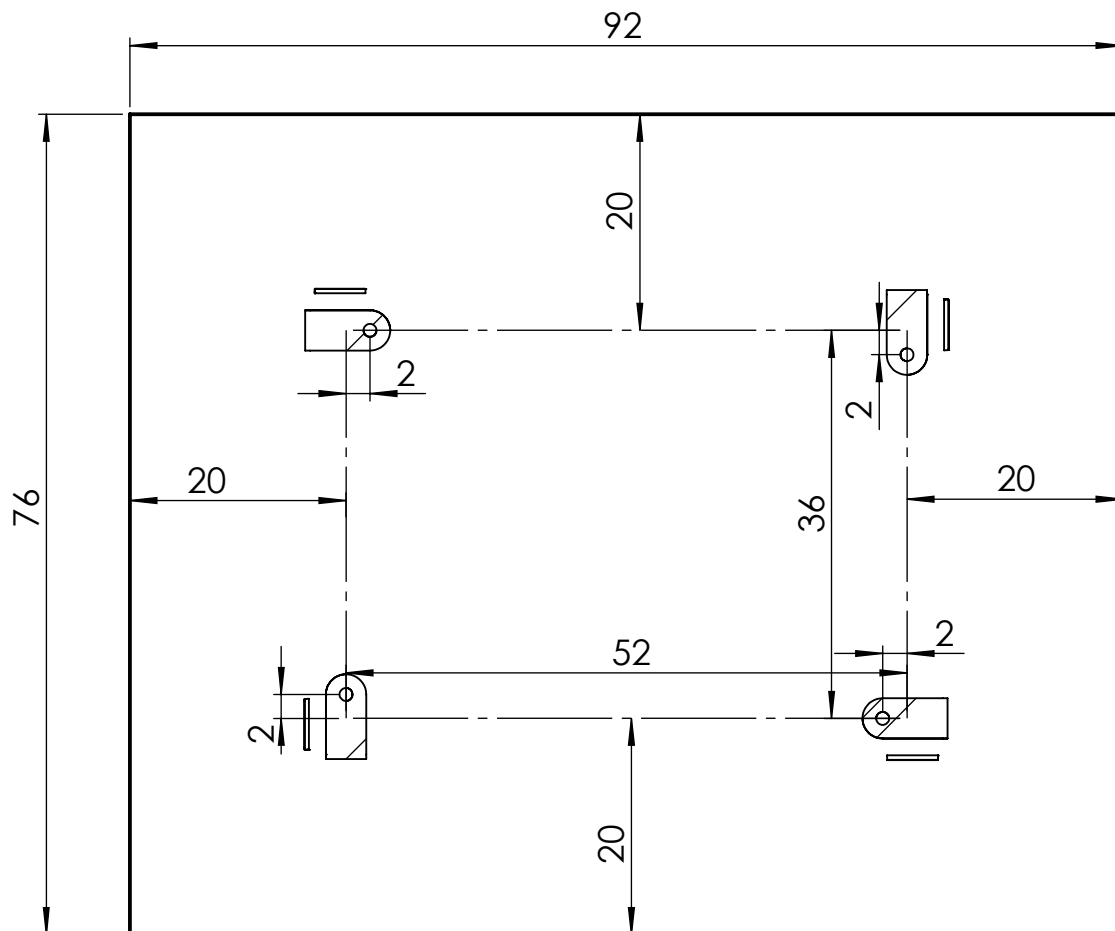


4x M10x120 (K3)

Ø10

NOT INCLUDED

(K3)

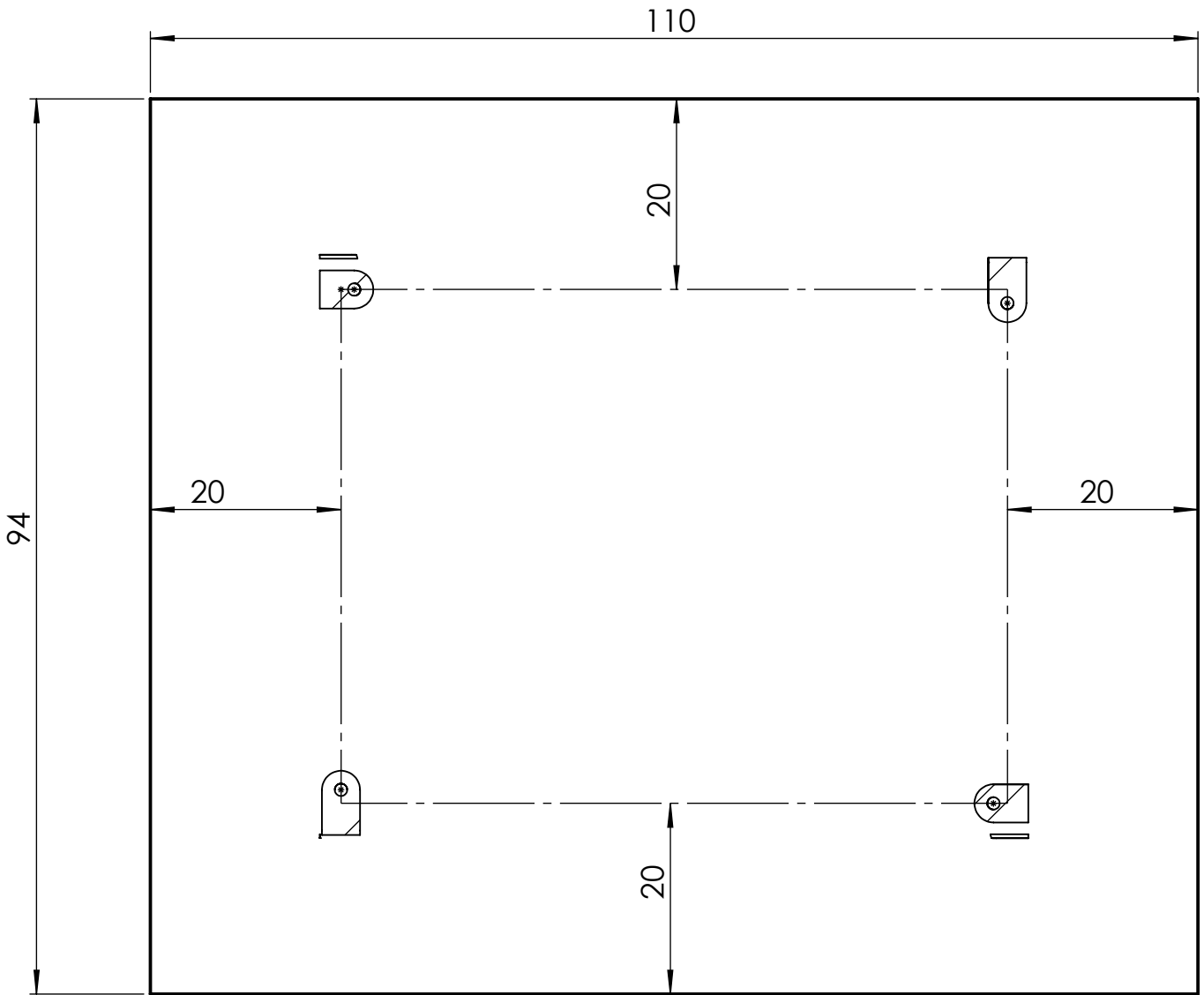


[cm]



vinci
play

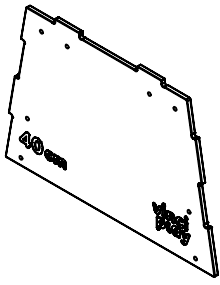
K1



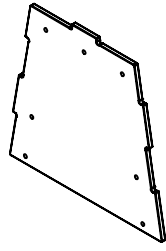
[cm]



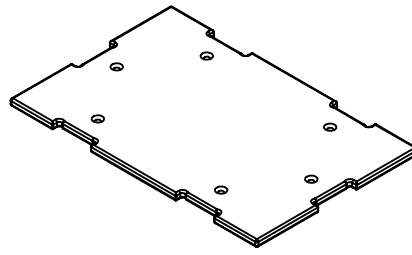
vinci
play



231119
x2

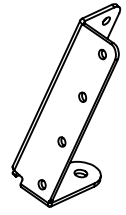


231120
x2



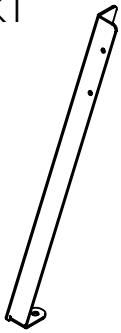
231118
x1

K3

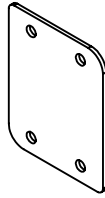


b918
x4

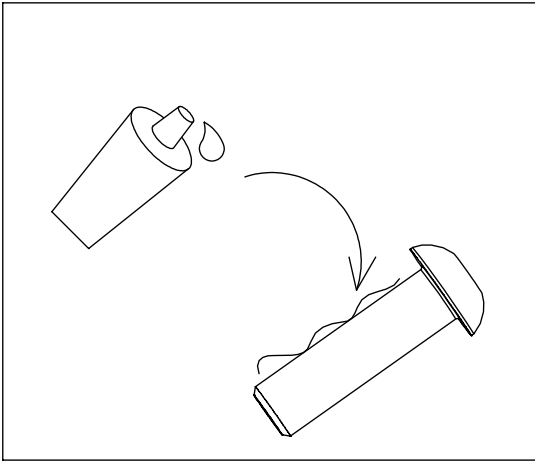
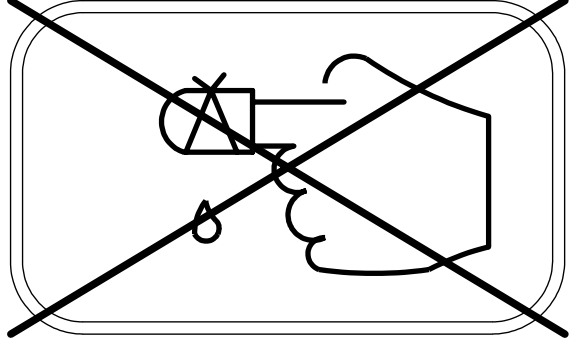
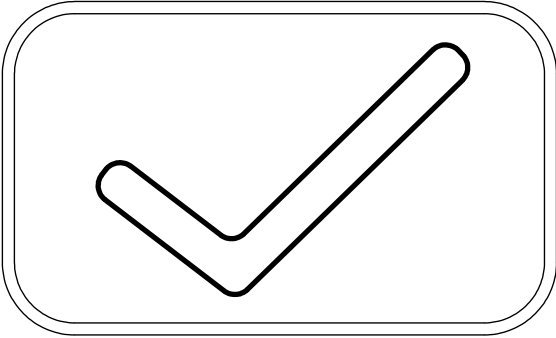
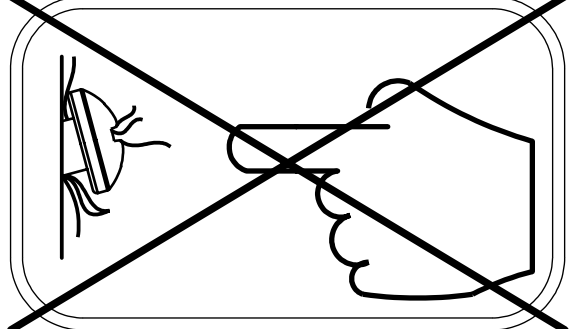
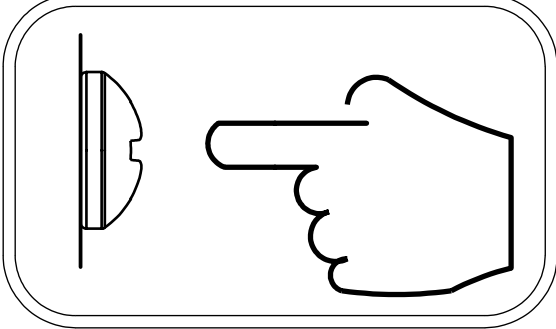
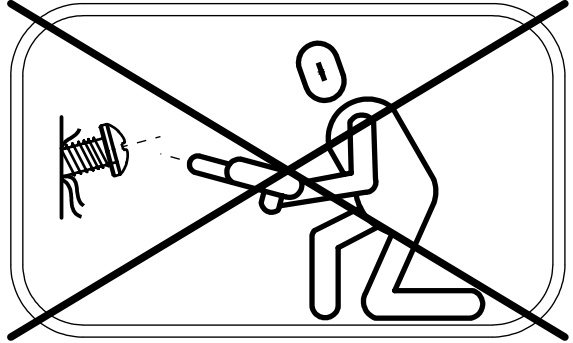
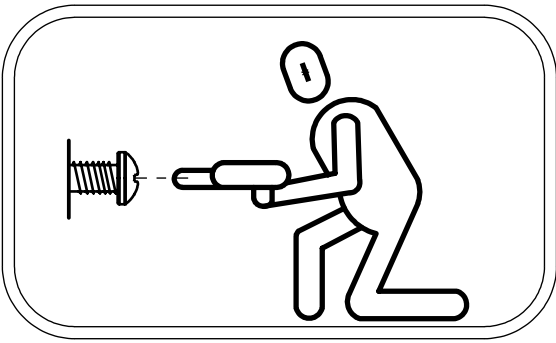
K1

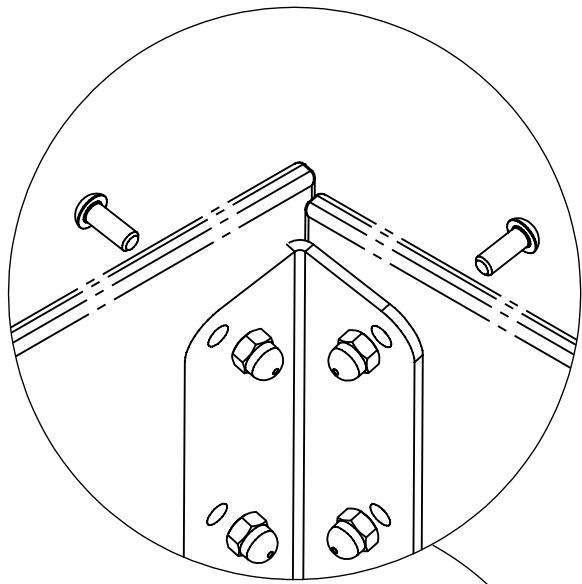


b932
x4

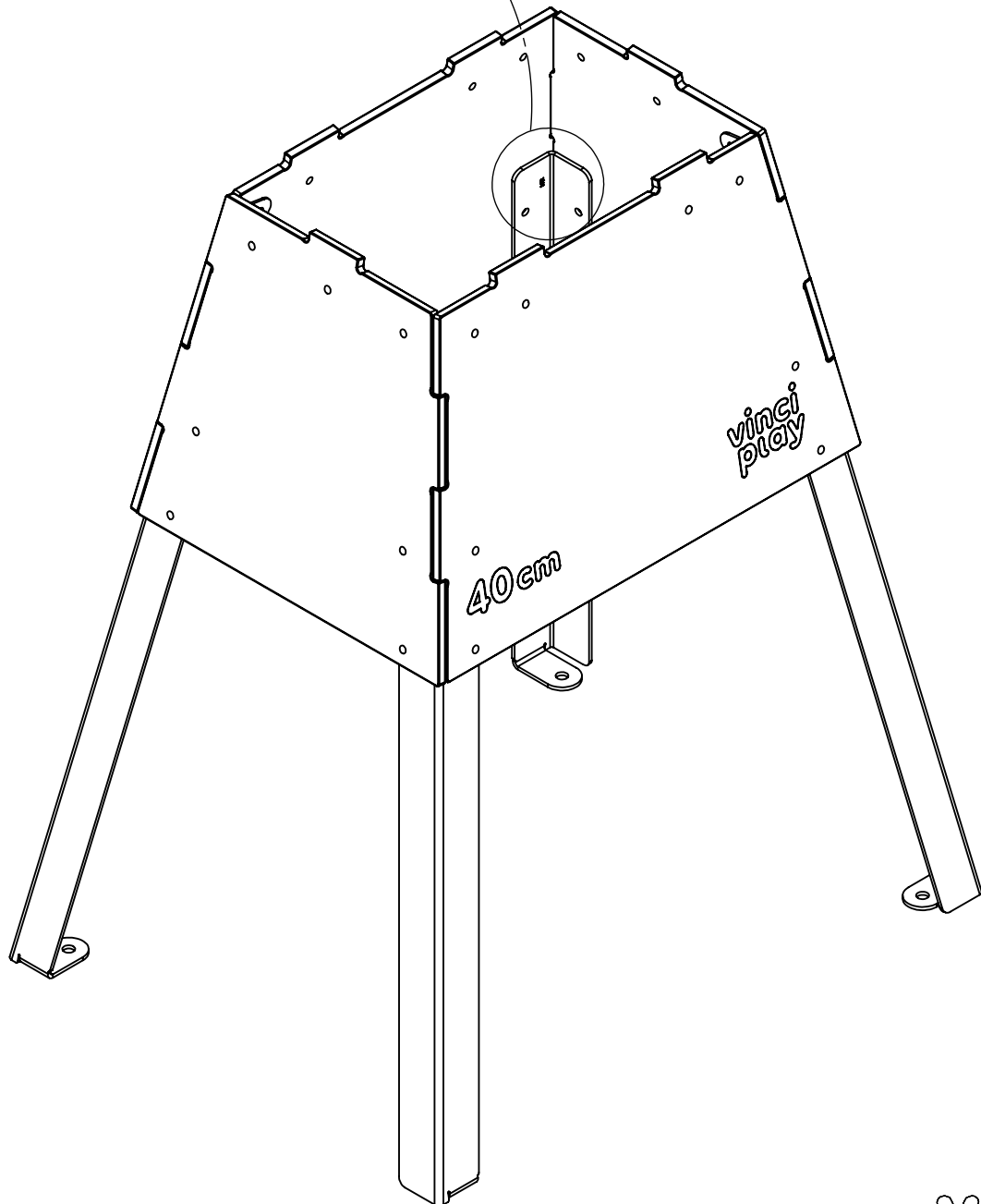


236121
x1





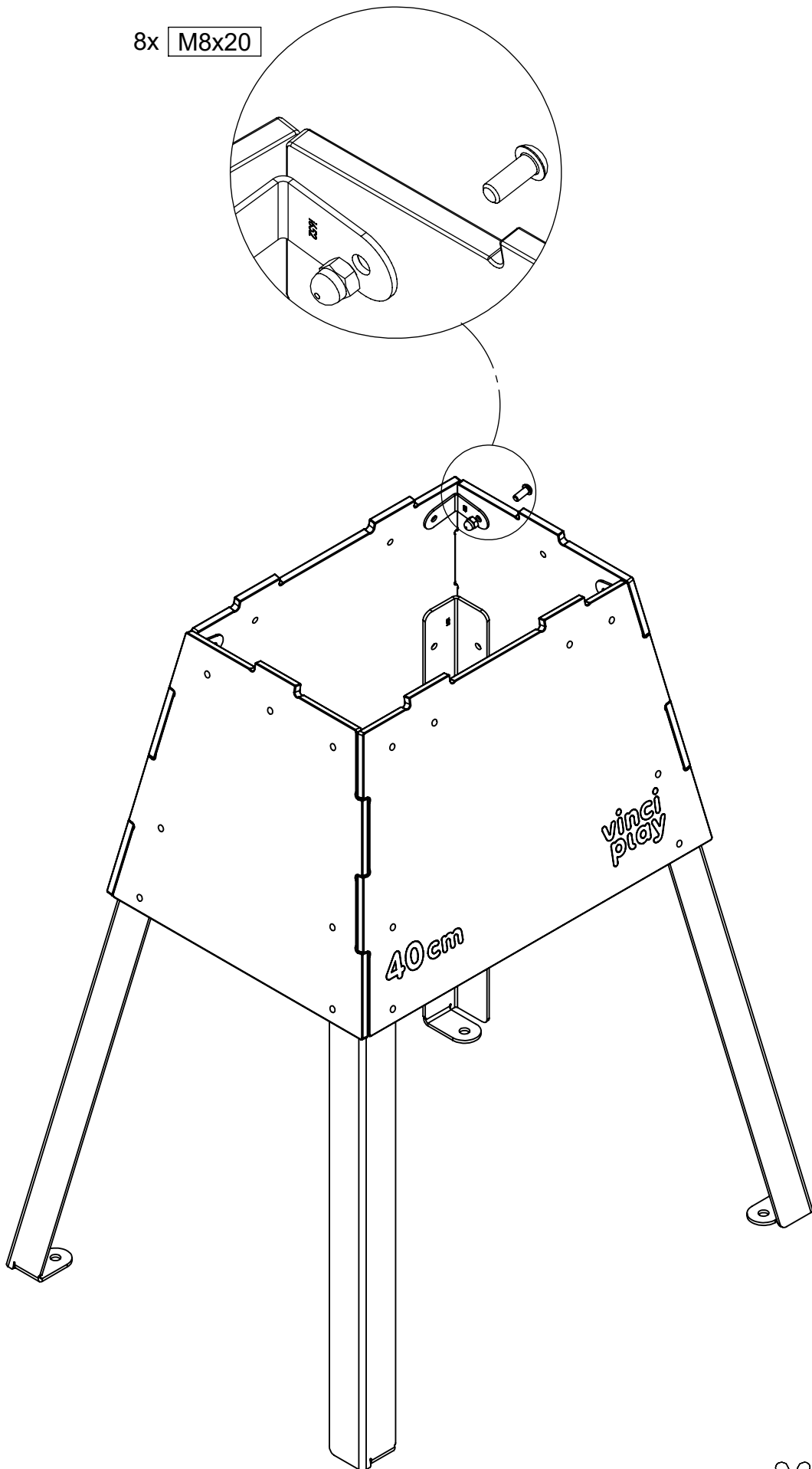
16x M8x20



[cm]

vinci
play

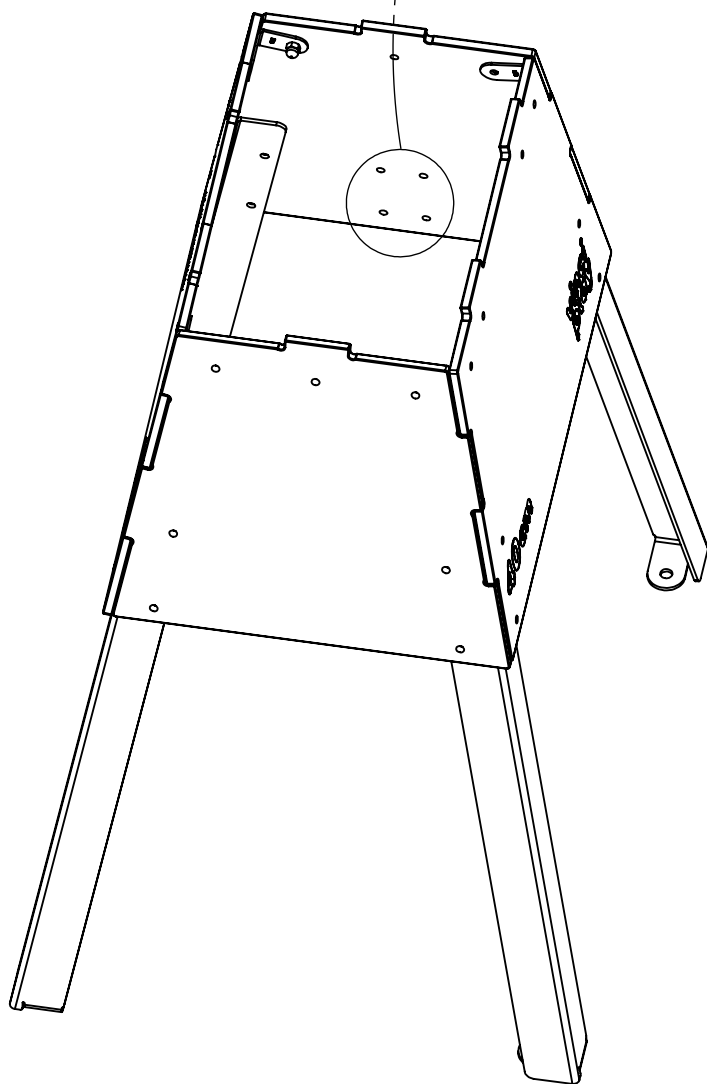
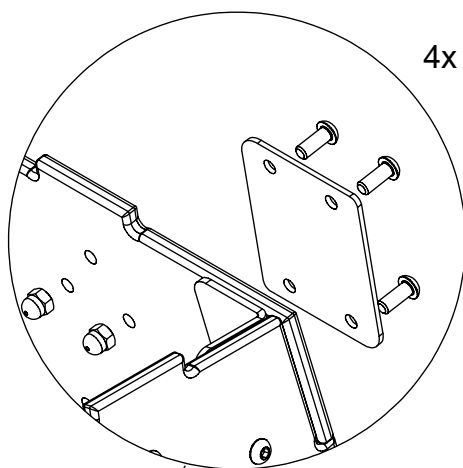
8x M8x20



[cm]

vinci
play

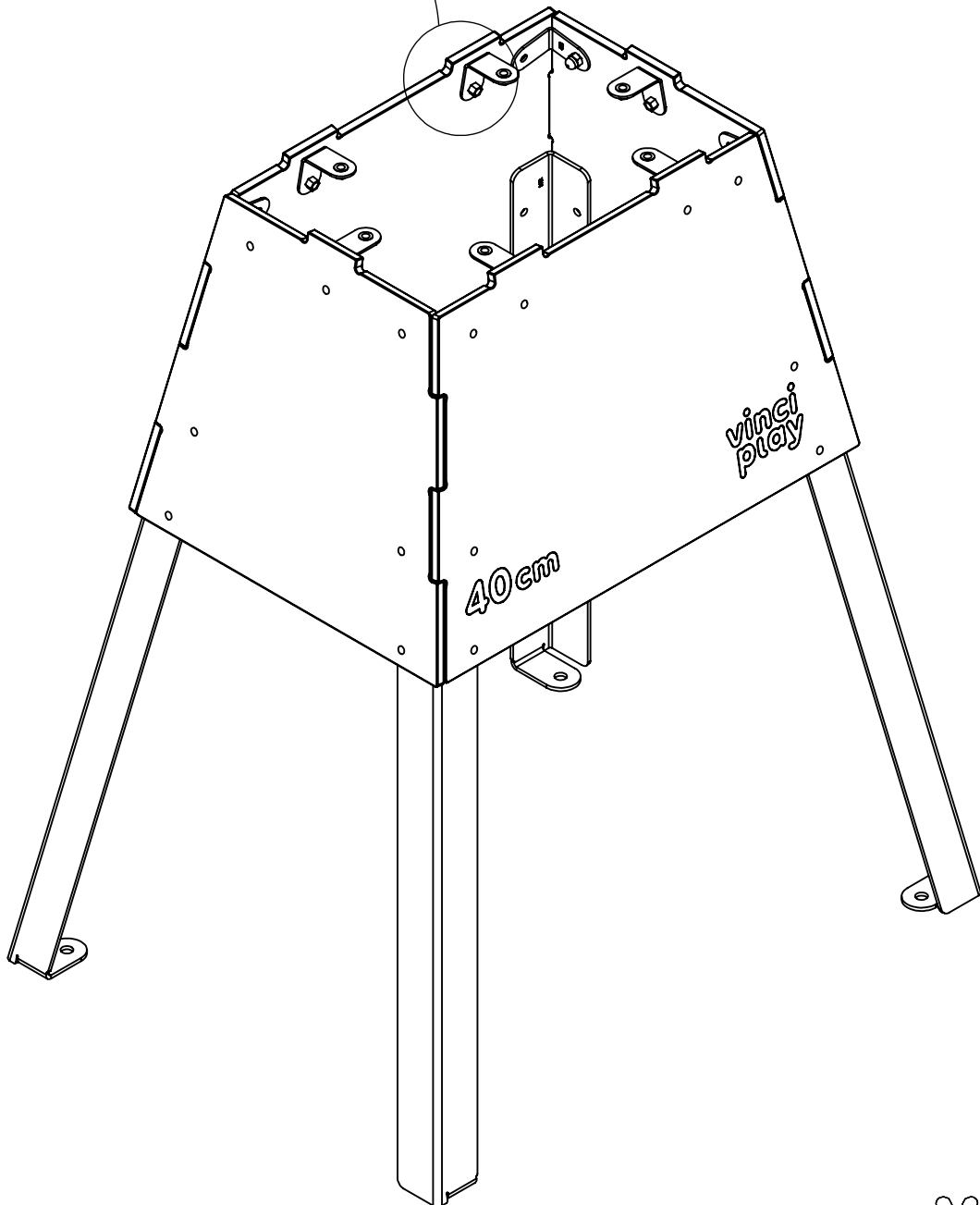
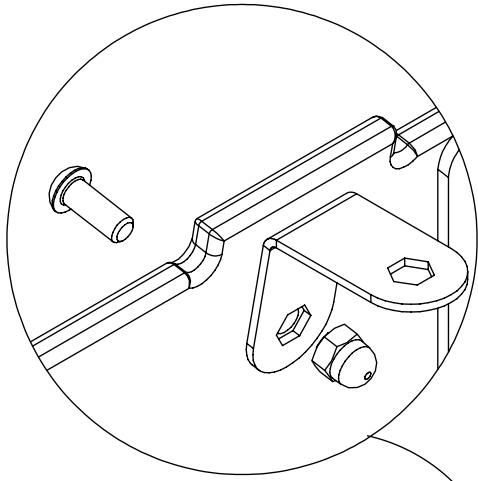
4x M8x15



[cm]

vinci
play

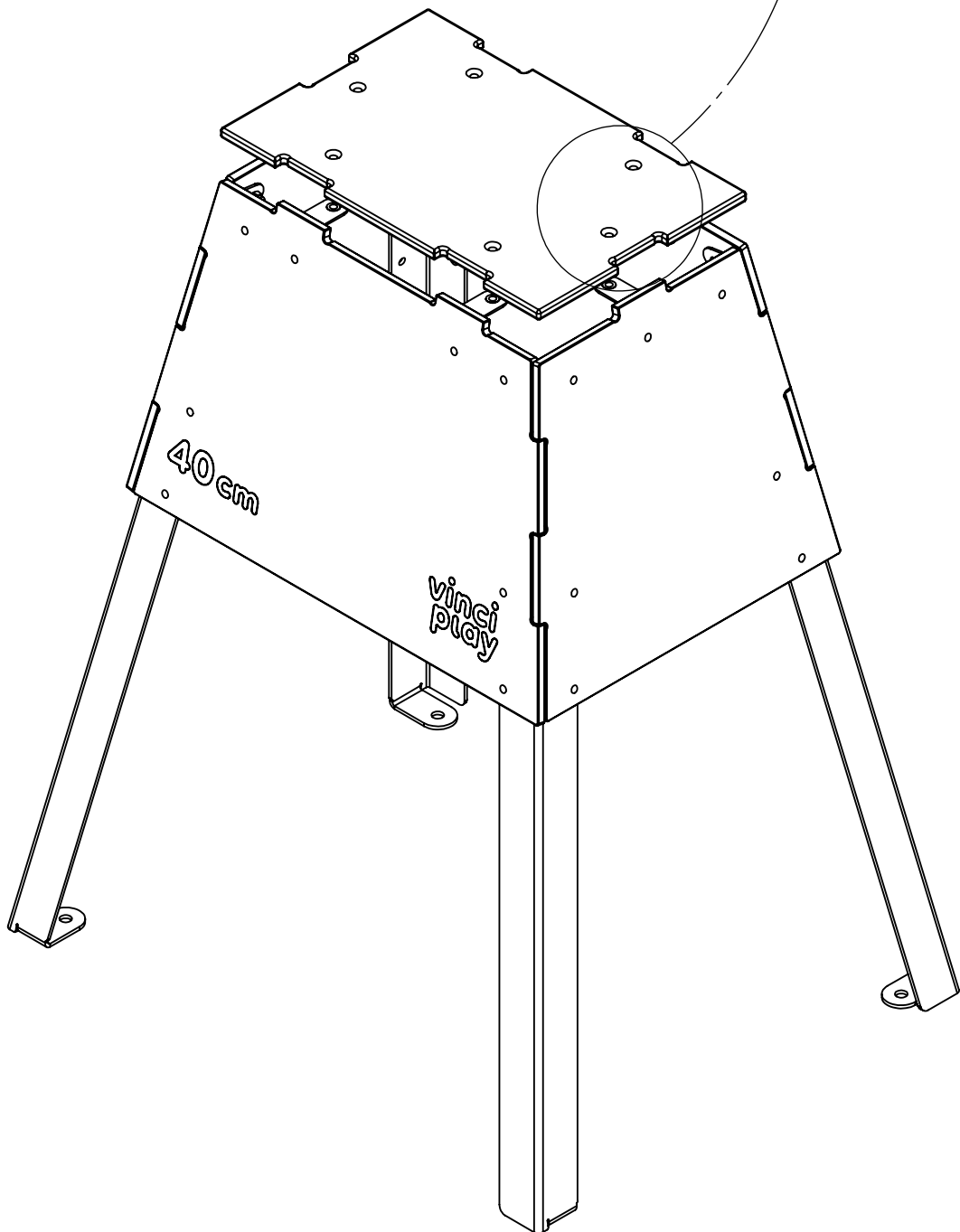
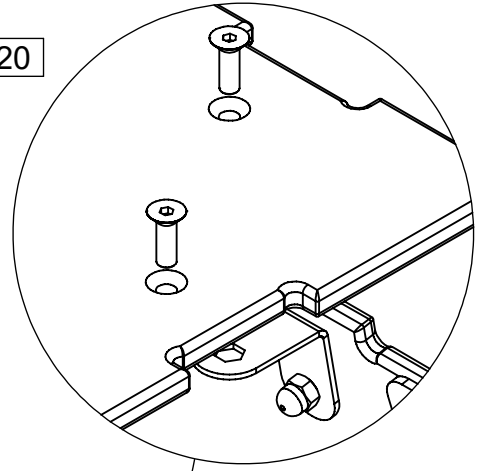
6x M8x20



[cm]

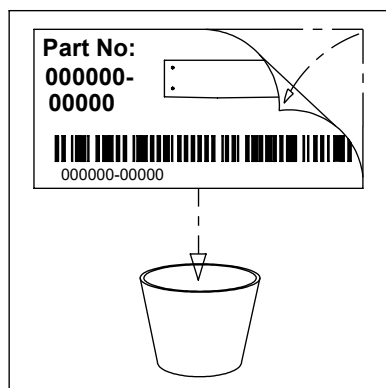
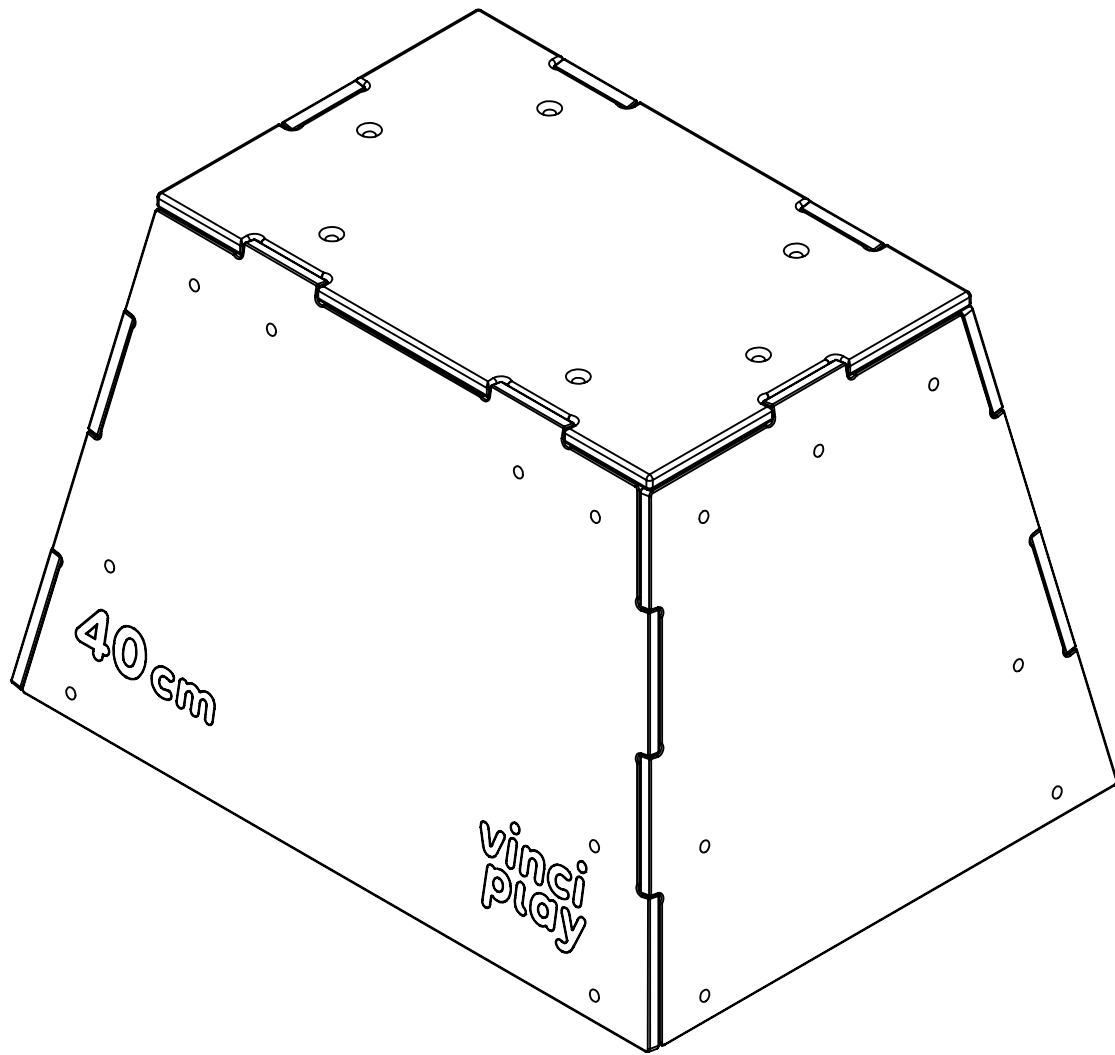
vinci
play

6x M8x20



[cm]

vinci
play



[cm]

vinci
play