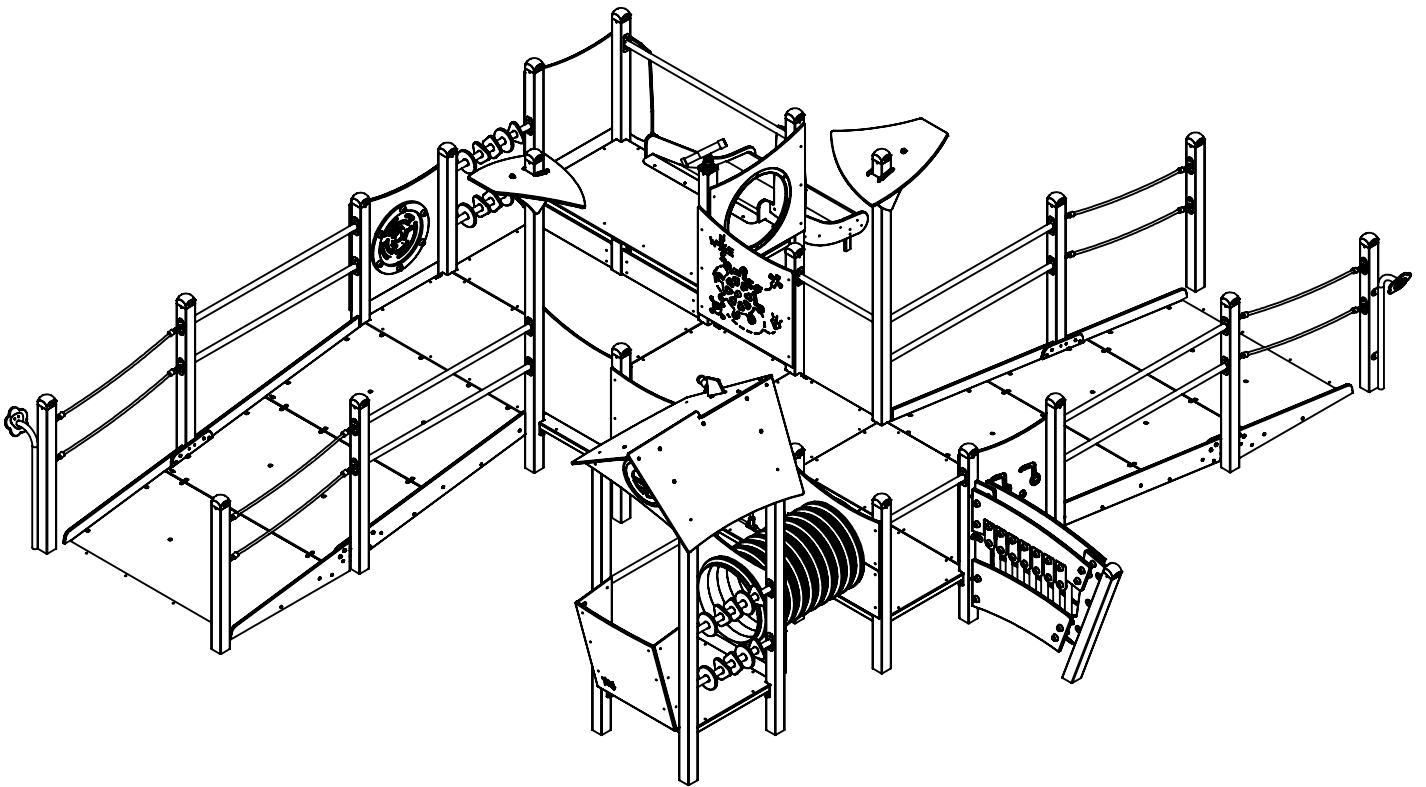












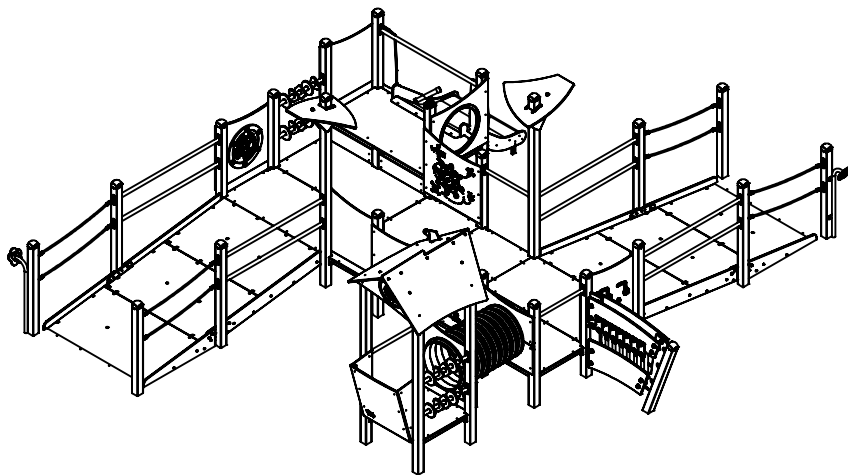
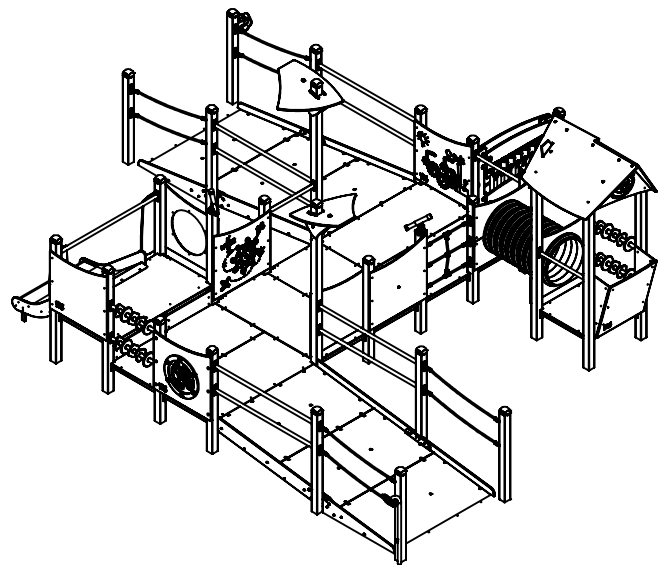
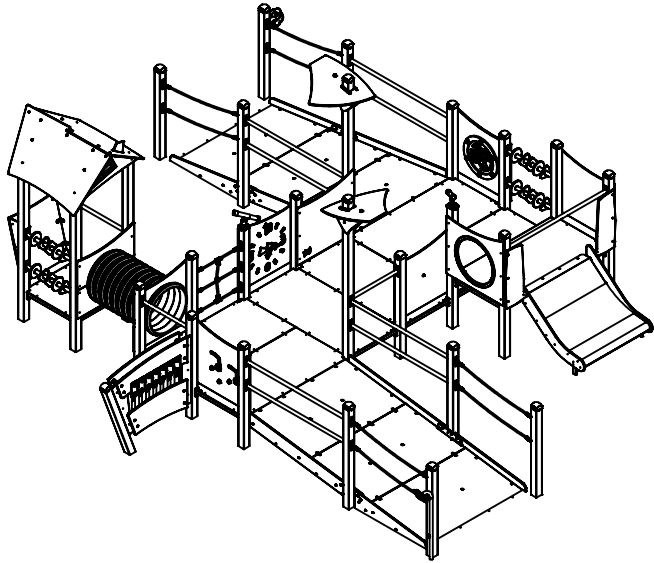
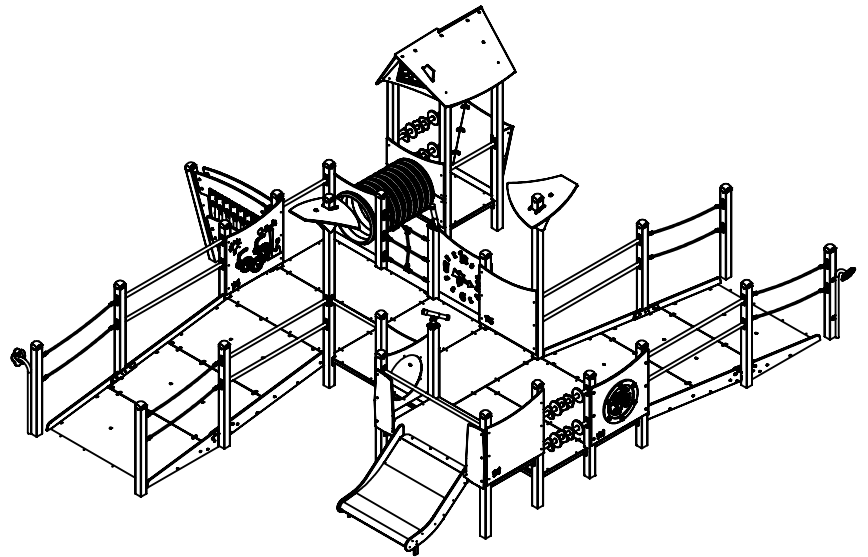
1725



 x2	16.5h	<60 HIC	48h 	K1 x41 >0.06m ³	K2/K3 x41 >0.09m ³	PZ1 
 13	 17	 5	 6			

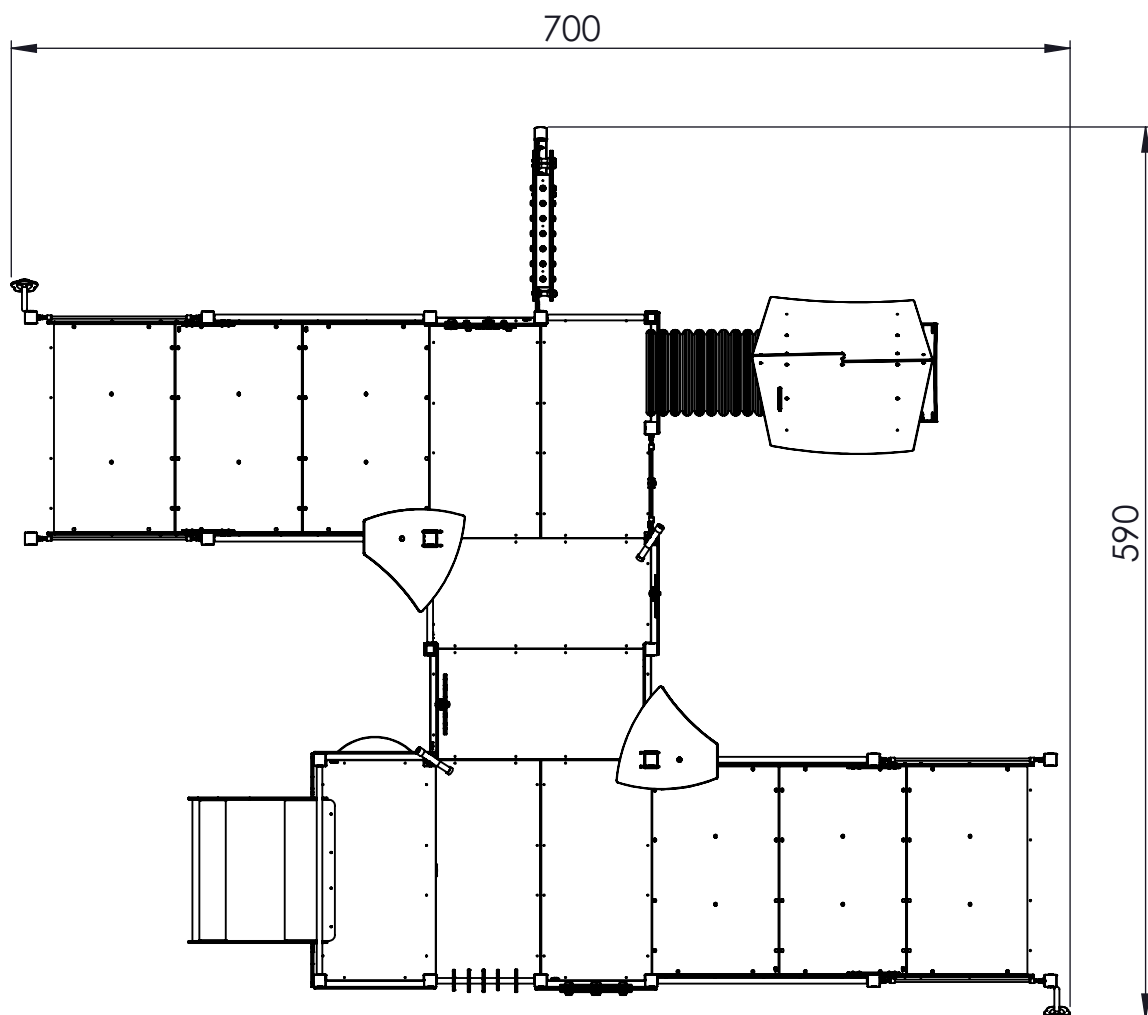
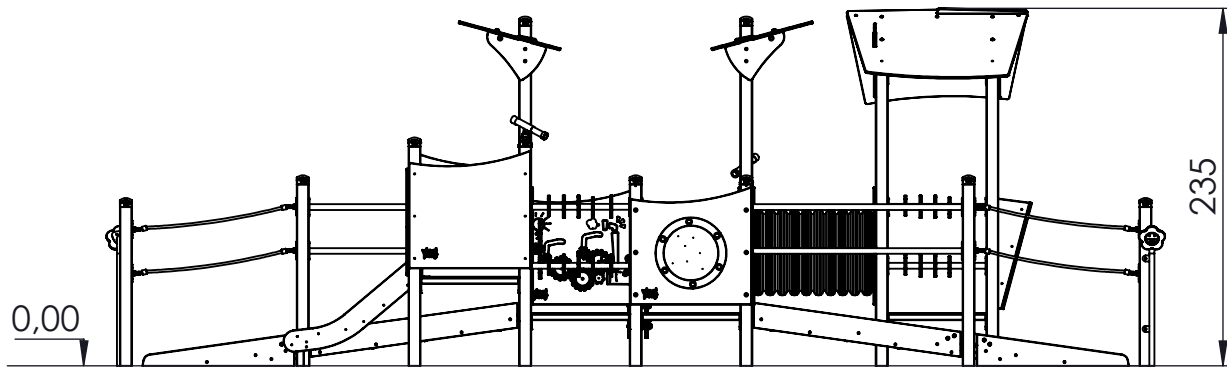
v010
12.02.2024
A. D.
[cm]

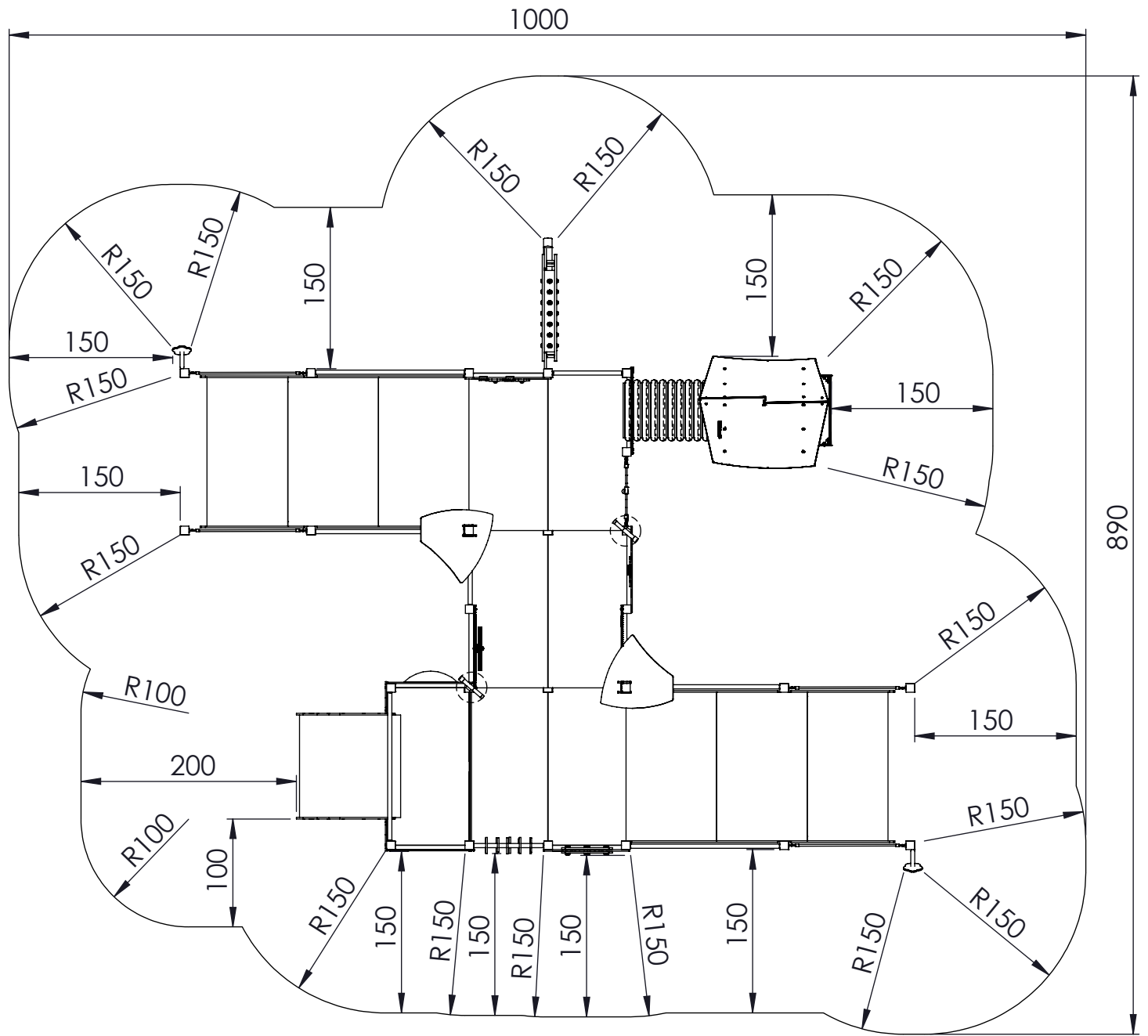
vinci
play



[cm]

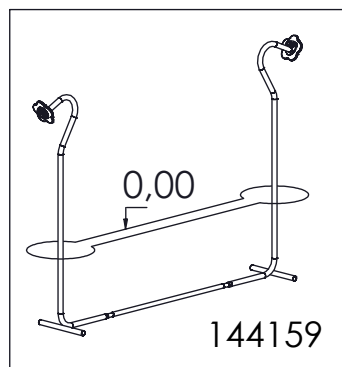
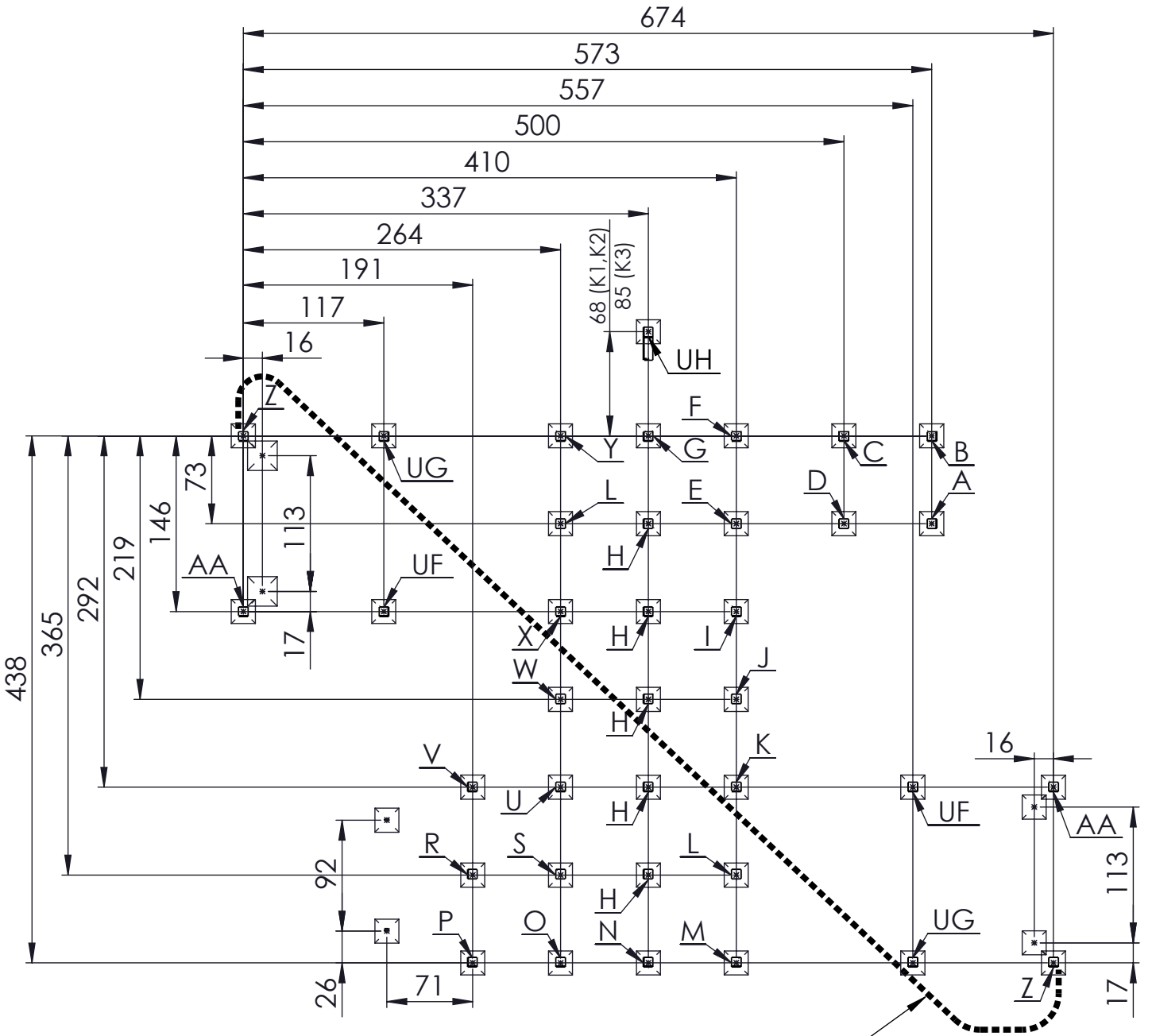
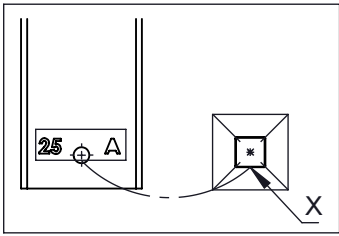
vinci
play



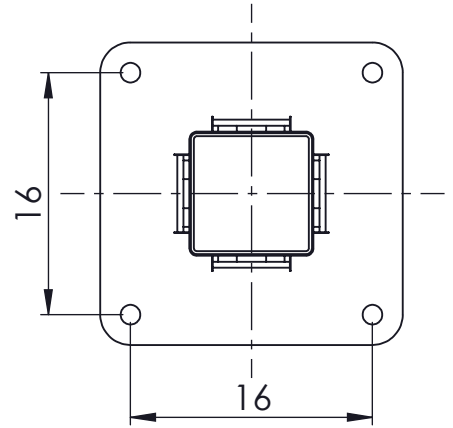
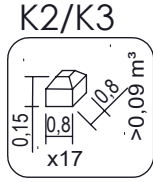
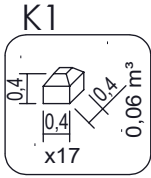
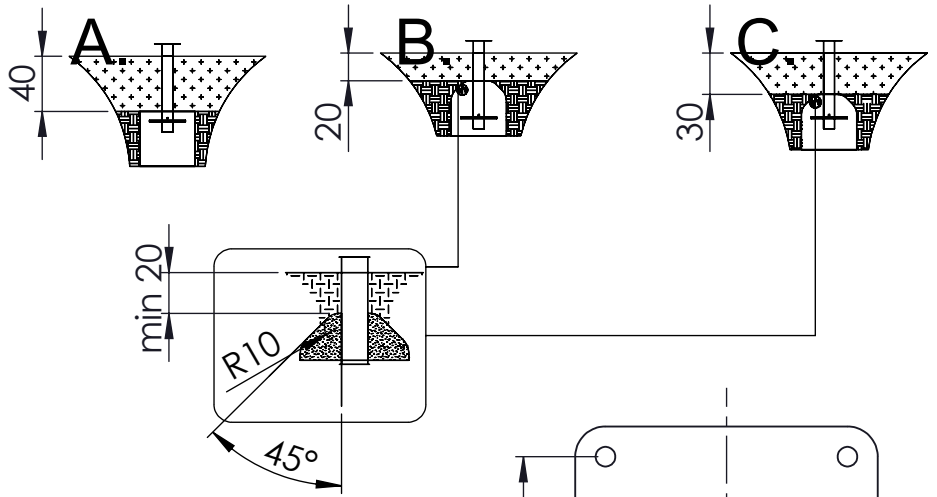


[cm]

vinci
play



vinci play

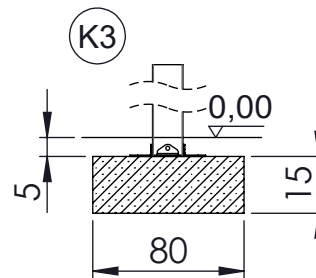
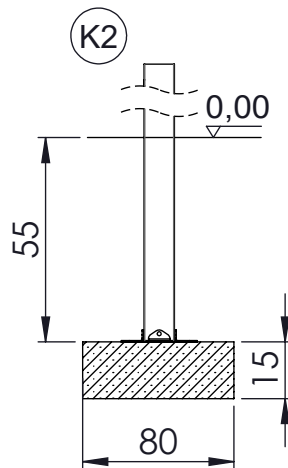
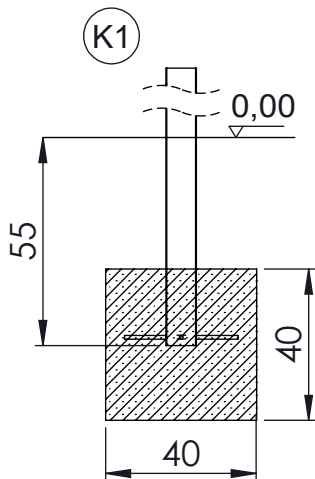
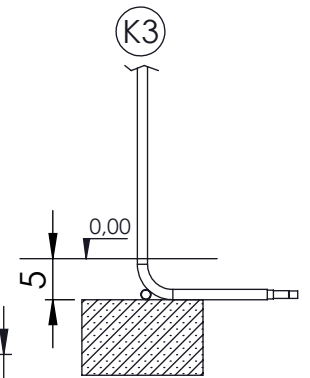
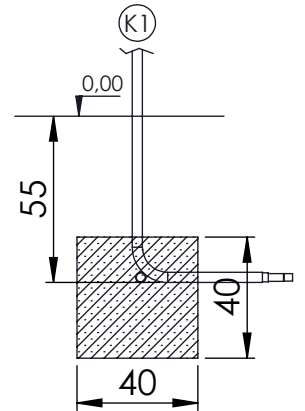
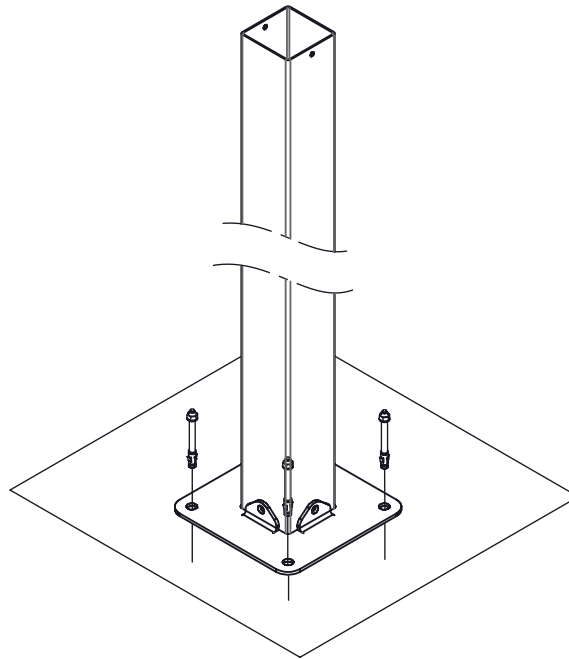


K2

NOT INCLUDED

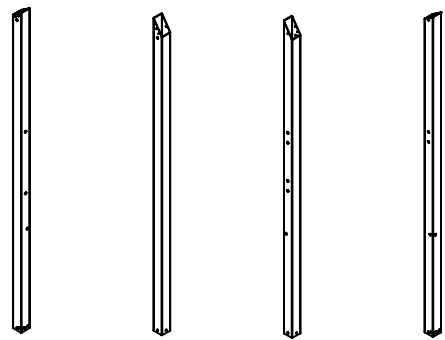
K3

NOT INCLUDED

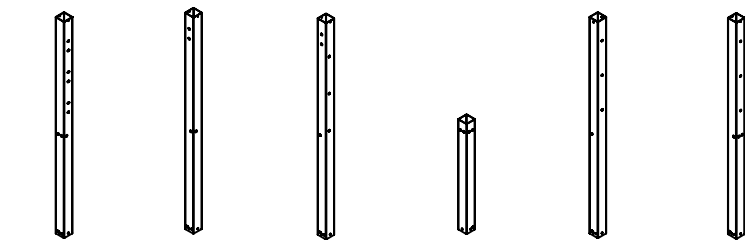


[cm]

vinci play



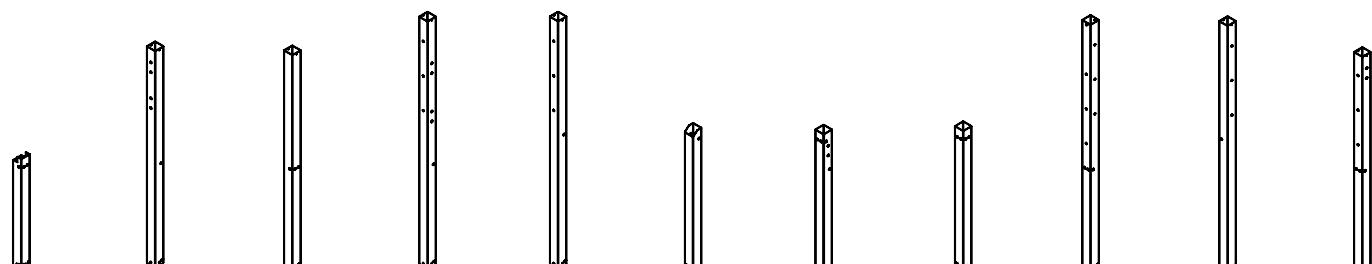
1725A x1 1725B x1 1725C x1 1725D x1



1725E x1 1725F x1 1725G x1 1725H x5 1725I x1 1725J x1



1725K x1



1725L x2 1725M x1 1725N x1 1725O x1 1725P x1 1725R x1 1725S x1 1725T x5 1725U x1 1725V x1



1725X x2



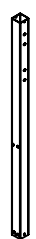
1725Y x1



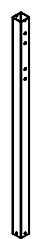
1725Z x1



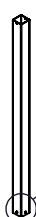
1725AA x1



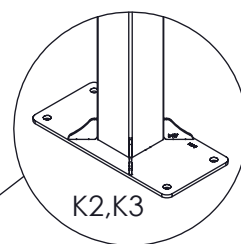
17UG x2



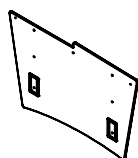
17UF x2



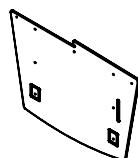
17UH x1



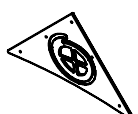
K2,K3



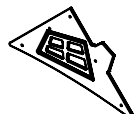
171100 x1



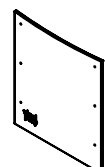
171101 x1



171102 x1



171103 x1



171104 x1



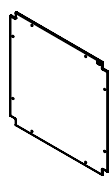
171113 x2



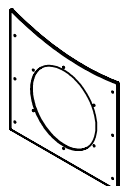
171114 x2



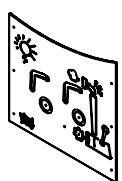
171115 x4



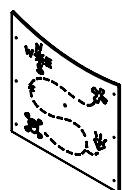
171123 x1



171124 x1



171139 x1



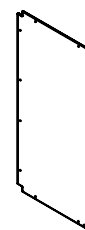
171142 x1



171147 x1



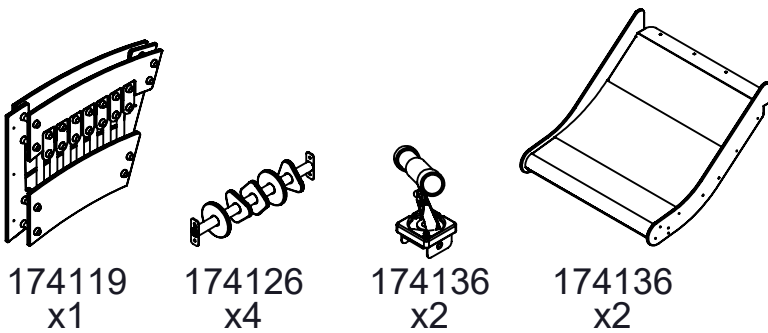
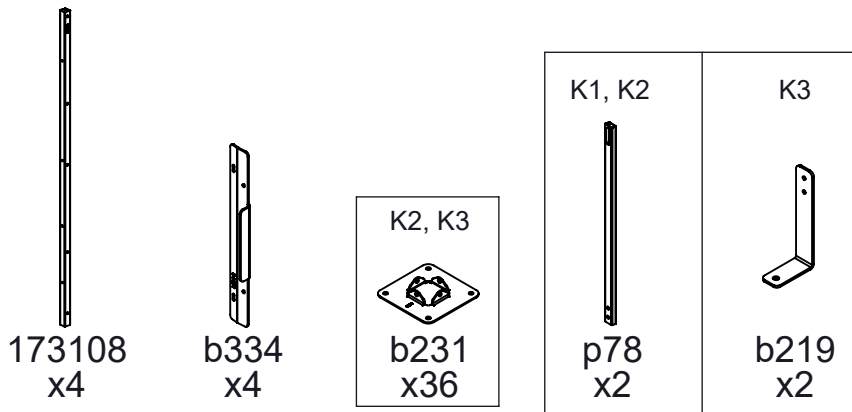
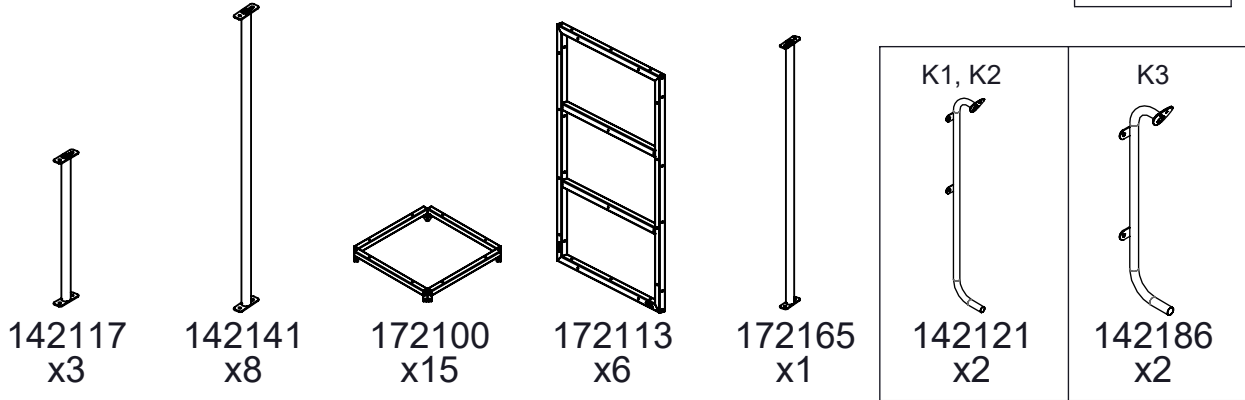
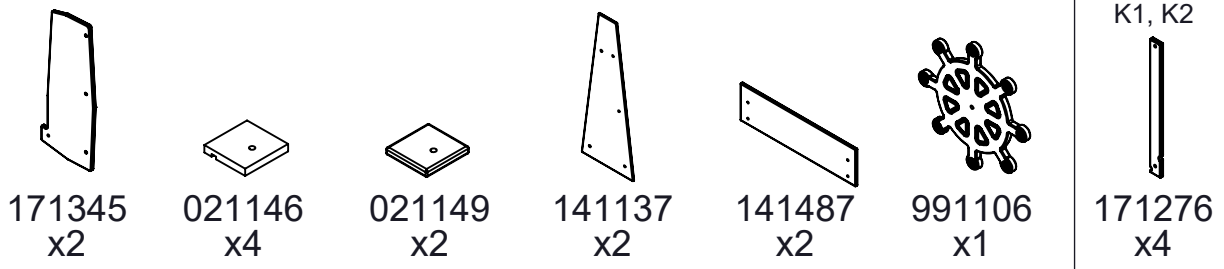
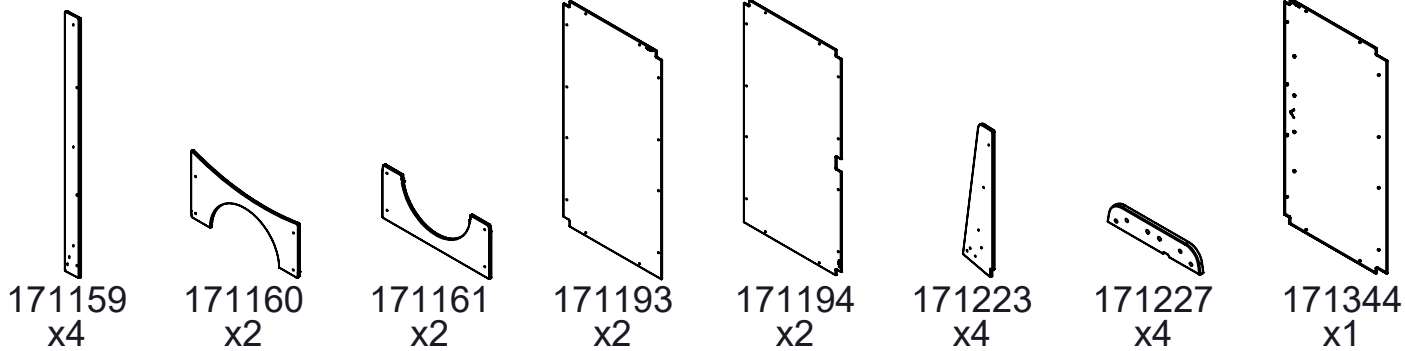
171153 x6

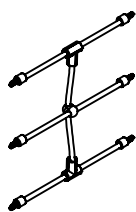


171154 x2



171155 x1

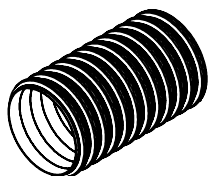




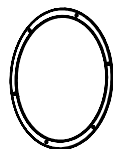
175106
x1



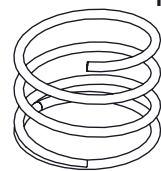
995141
x8



996132
x1



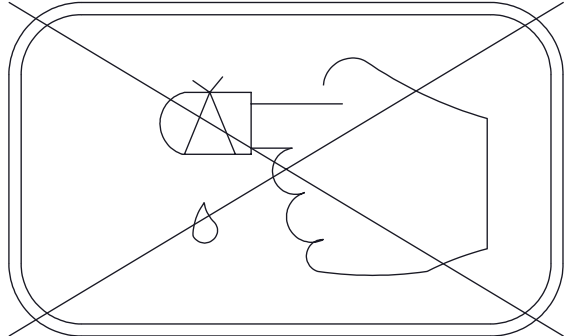
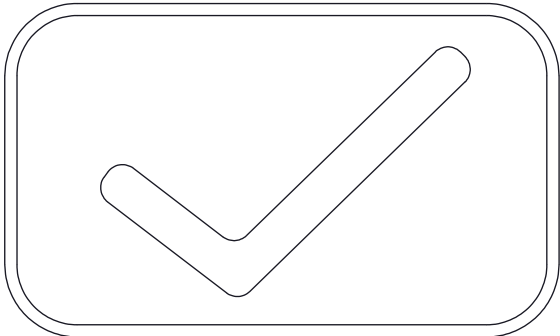
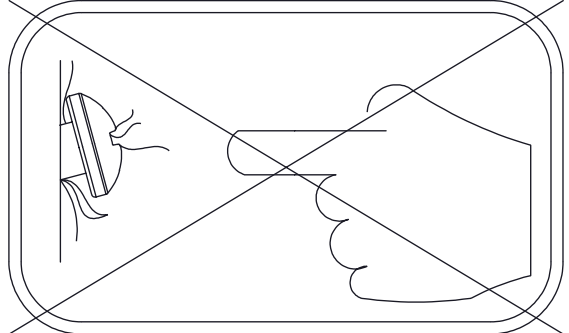
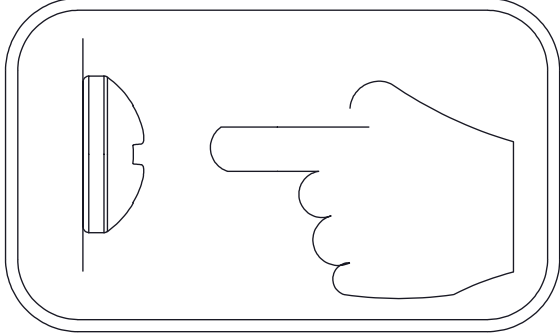
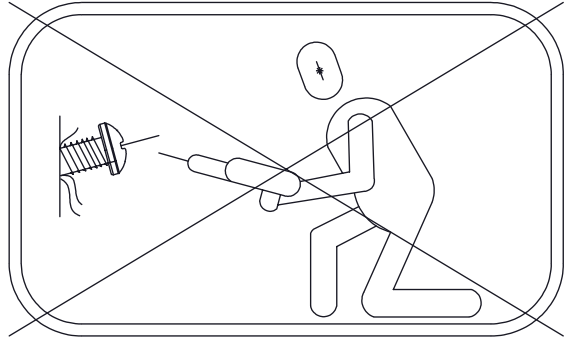
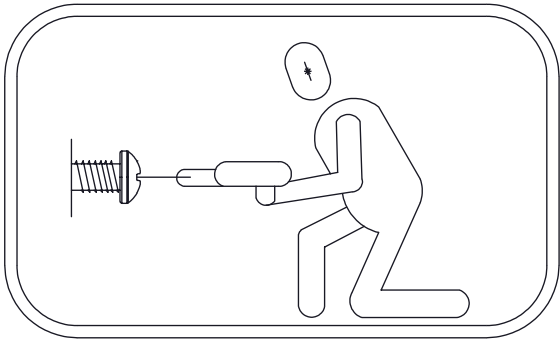
996148
x1

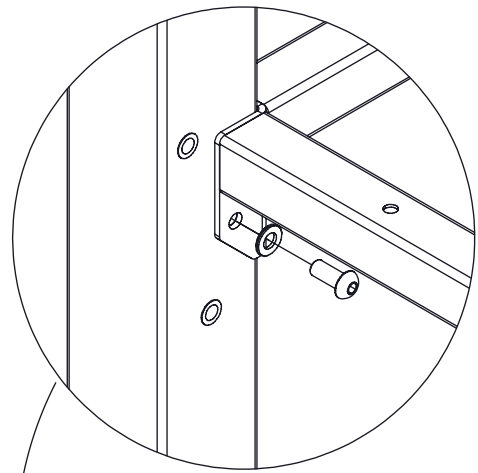


996552
x1

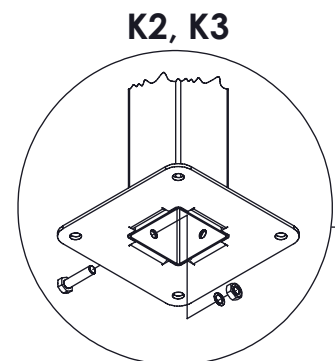
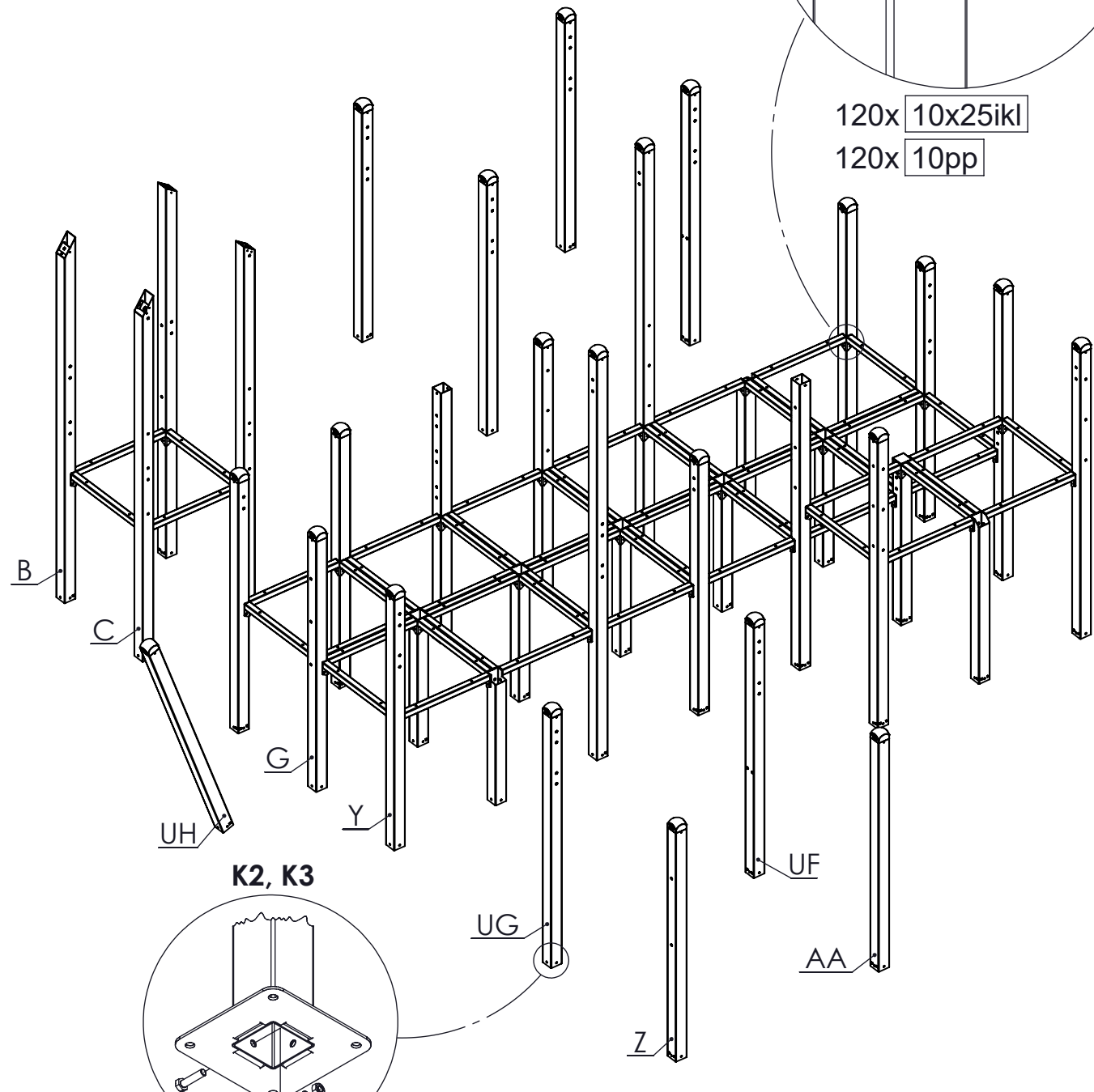
10m

Qty.	
43	drut _{K1}
4	20-32 op
4	8pp
34	8x25 ikl
34	8x30 ikl
144	10x20 m _{K2/K3}
144	10nh _{K2/K3}
144	10pp _{K2/K3}
164	10 pp
252	10x25 ikl
8	10x30 ikl
1	CE49
1	CL9
1	E34 _{K1/K3}
1	E35 _{K2}
2	17c002
1	17c012
1	17c020
2	17c032
1	17c040
1	17c046
1	17c048
4	17c066
2	17c102
2	17e027 _{K1}
2	17e028 _{K2}
2	17e029 _{K3}
3	17p005
8	17p007
2	17p041
2	17p043
1	V001
1	WD19
11	WD50
1	WD81
2	WD146





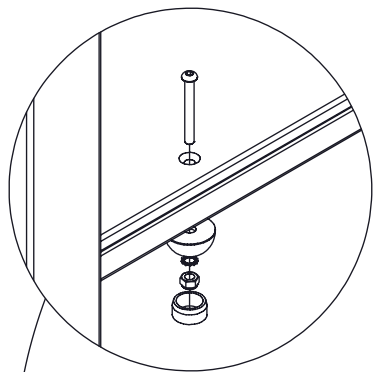
120x 10x25ikl
120x 10pp



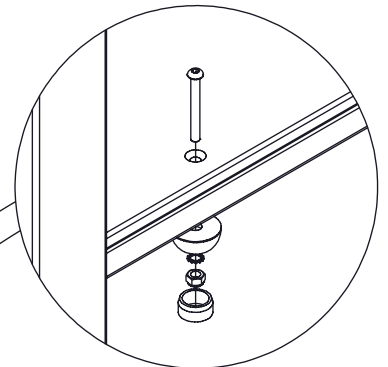
144x 10x20m
144x 10nh
144x 10pp

[cm]

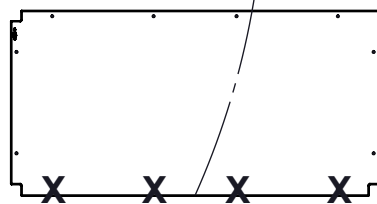
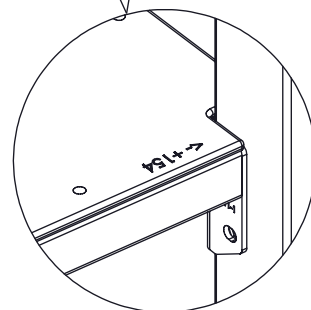
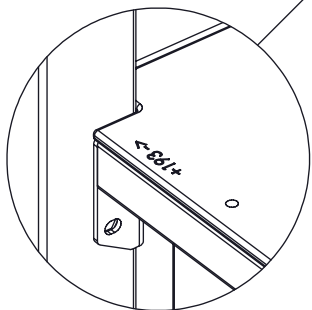
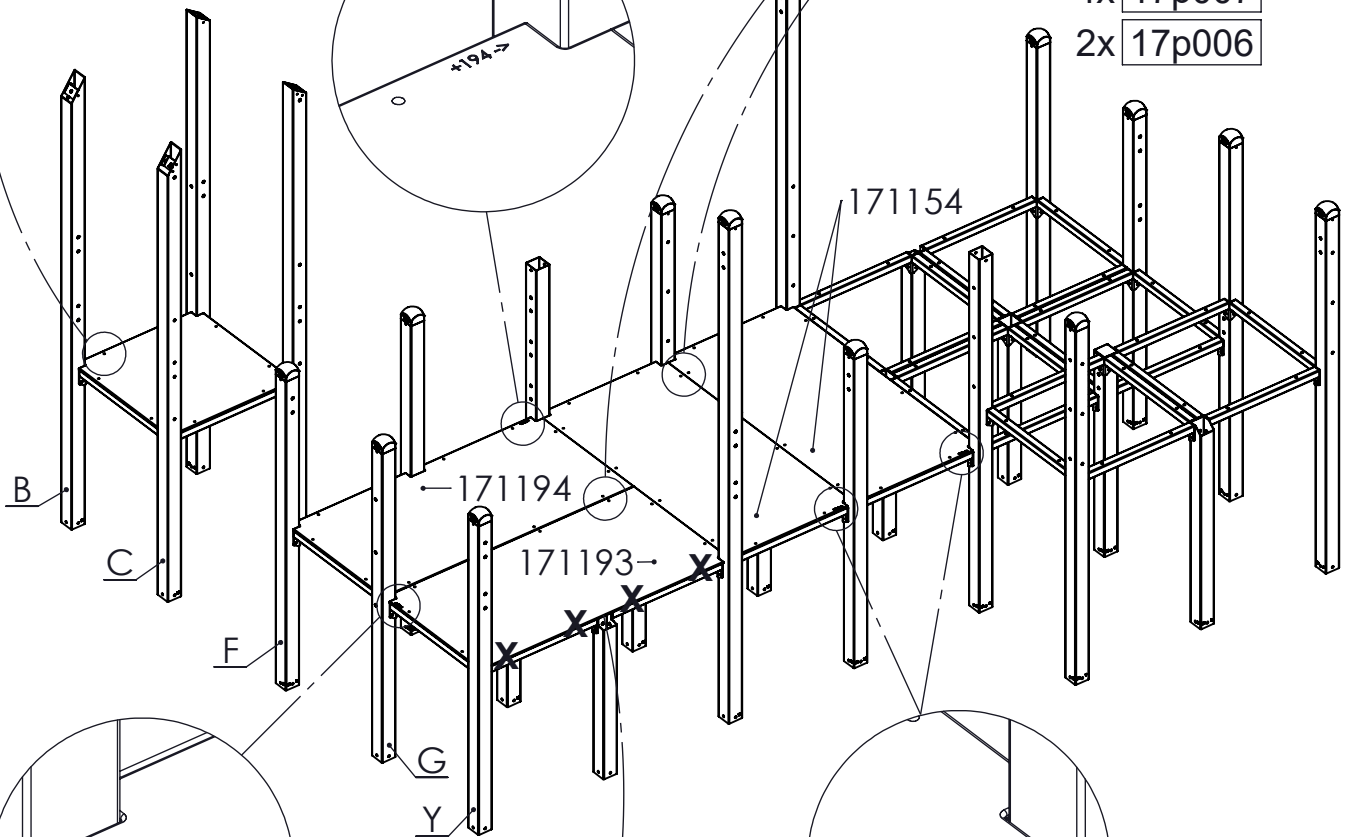
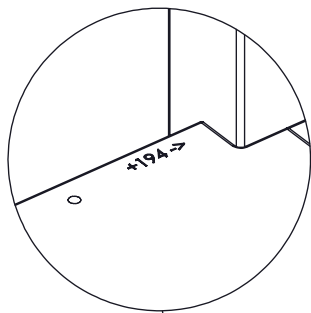
vinci
play



1x 17p007

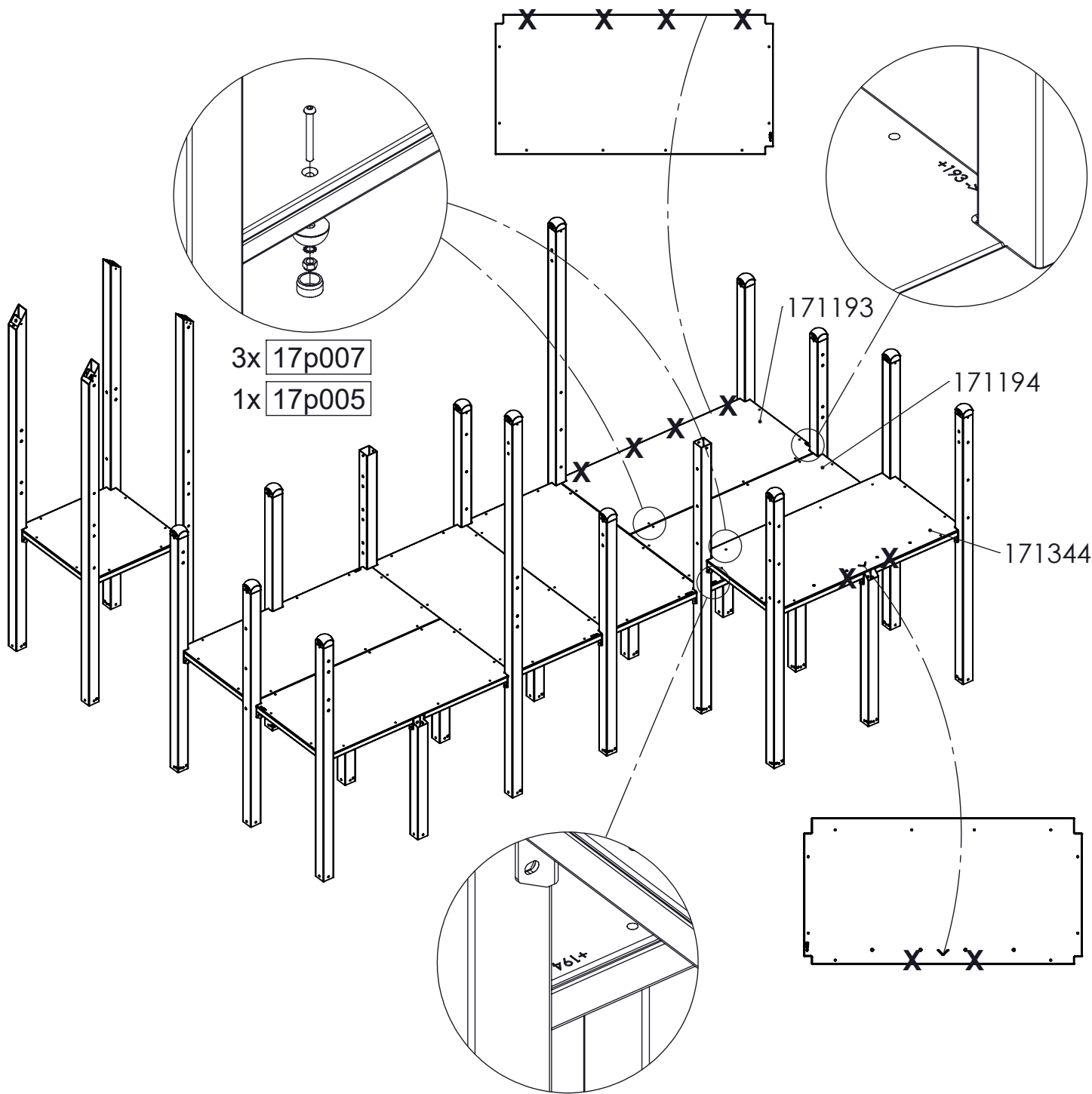


4x 17p007
2x 17p006



[cm]

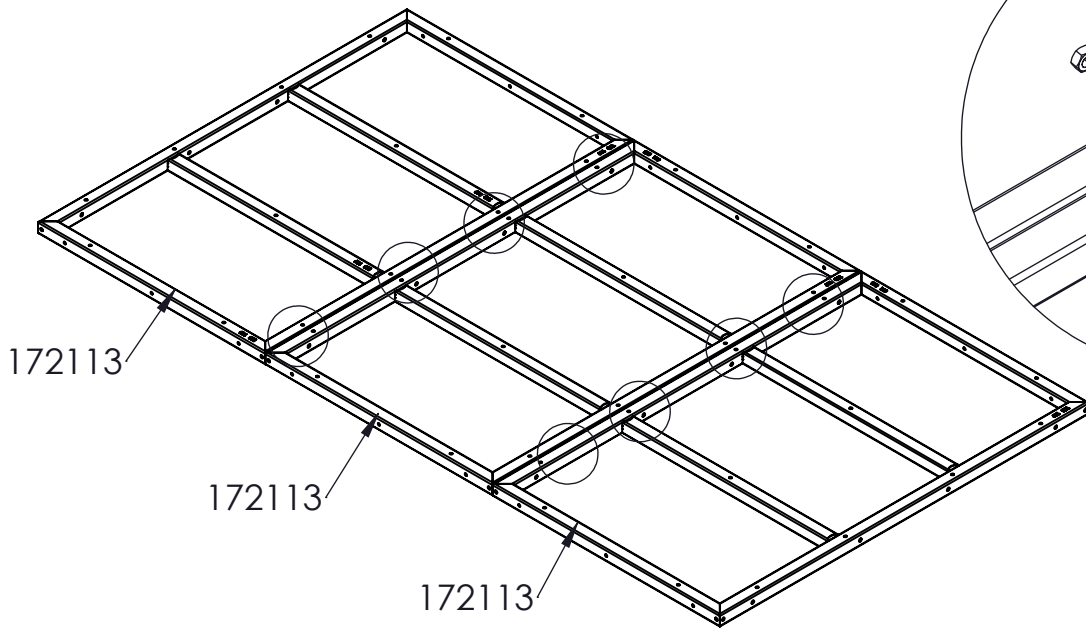
vinci
play



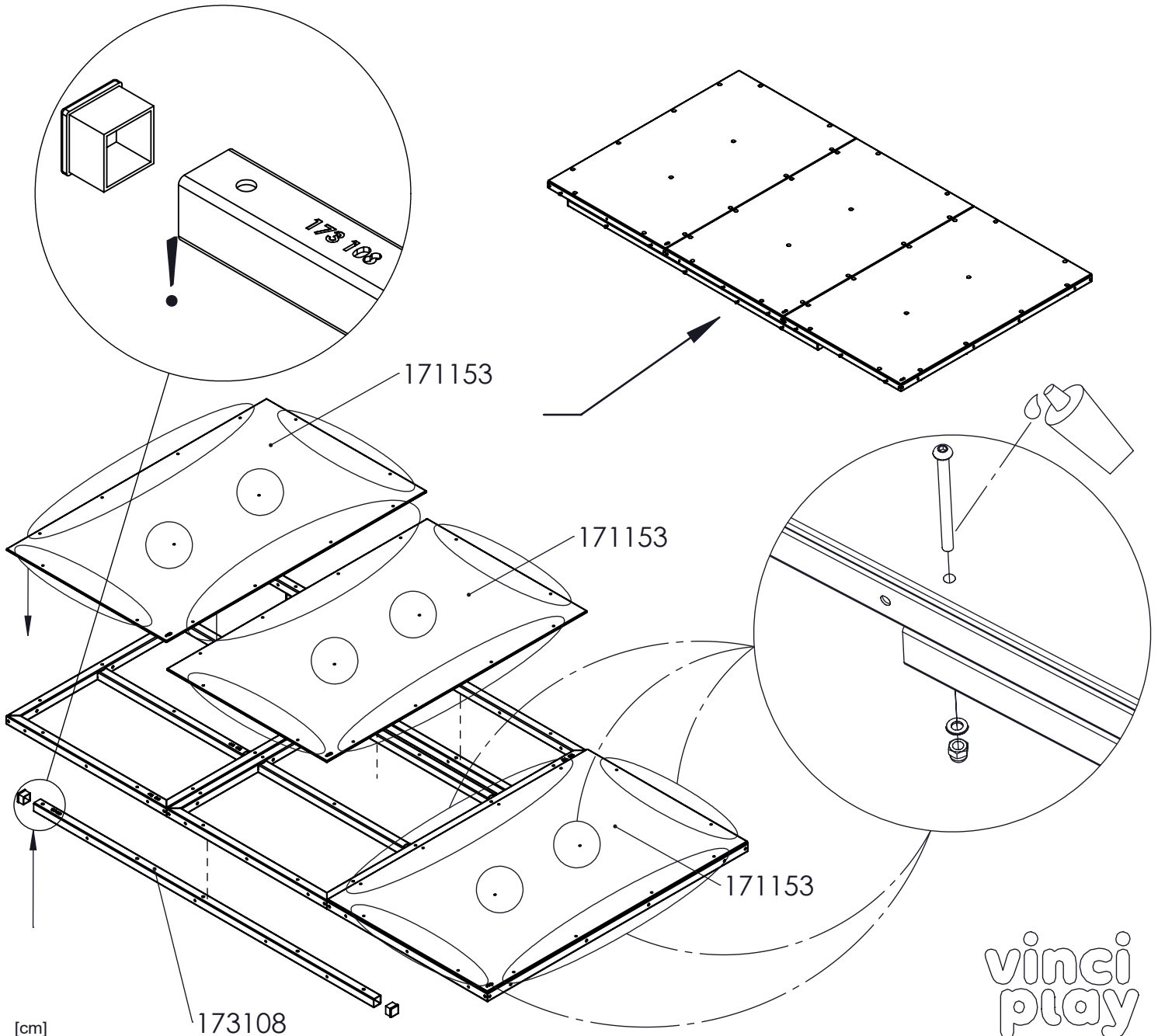
[cm]

vinci
play

x2

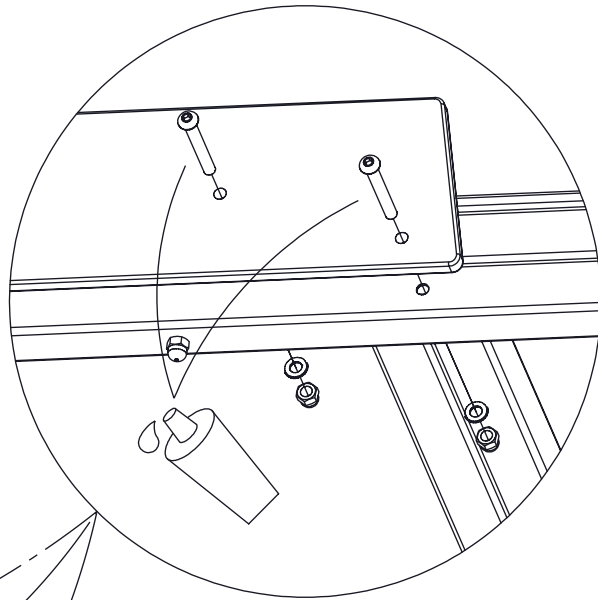
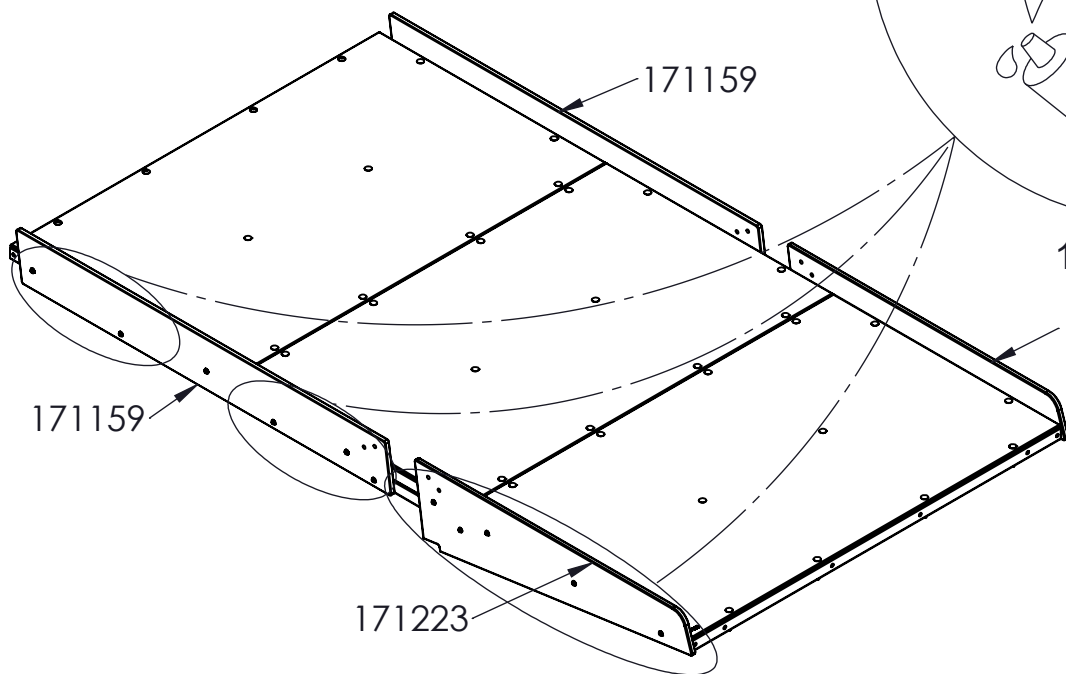


1x 17p041



vinci
play

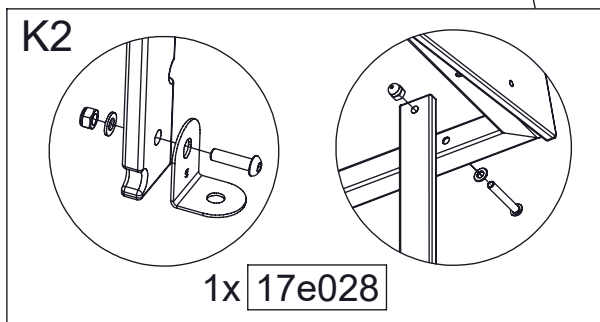
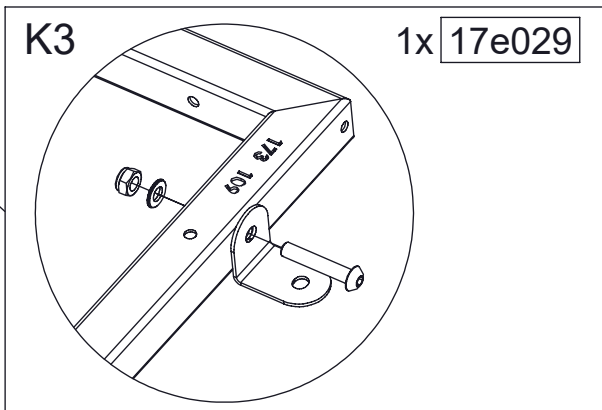
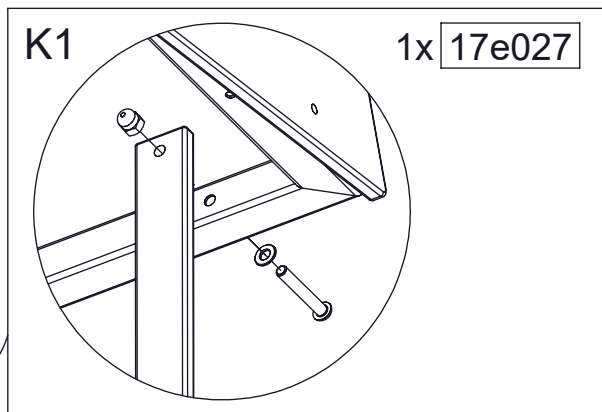
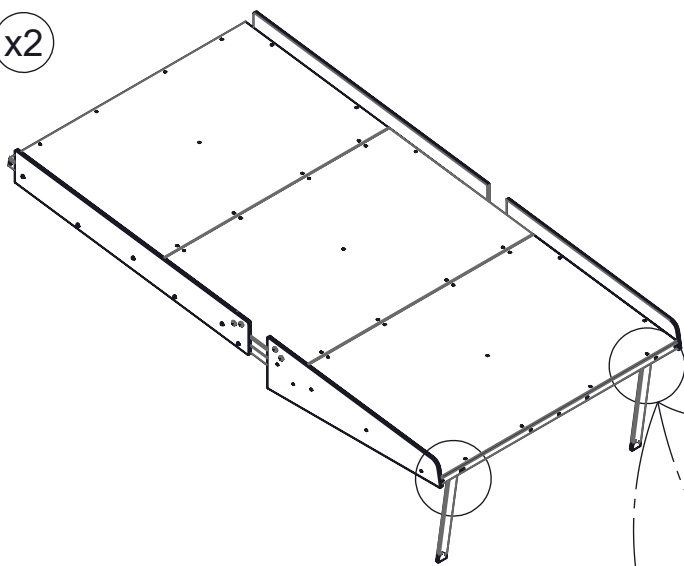
x2



1x WD146

171223

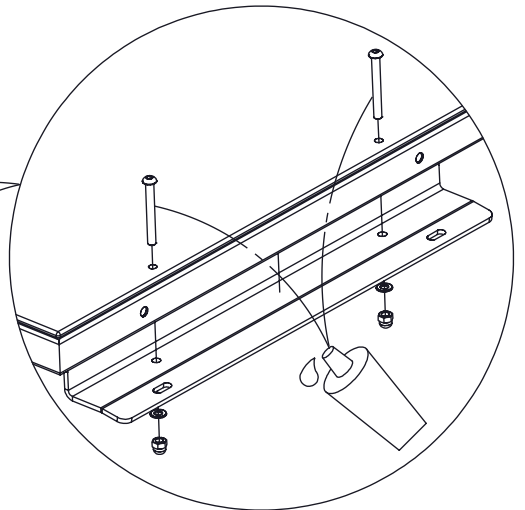
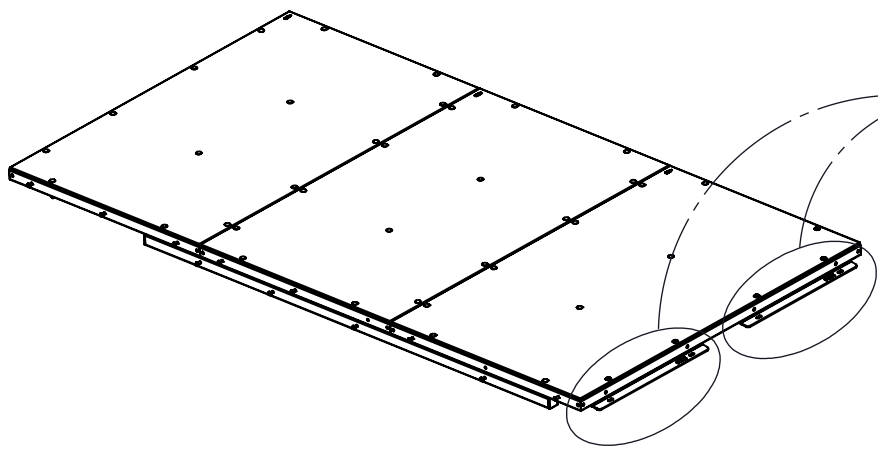
x2



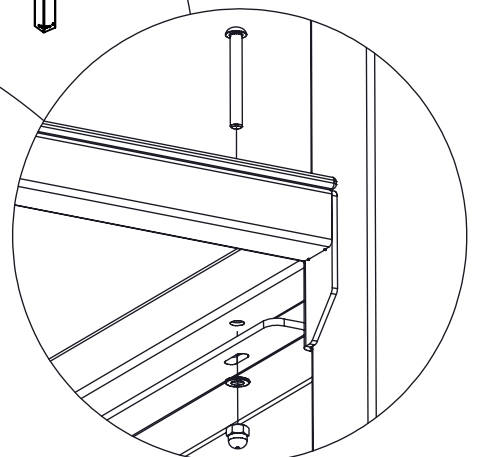
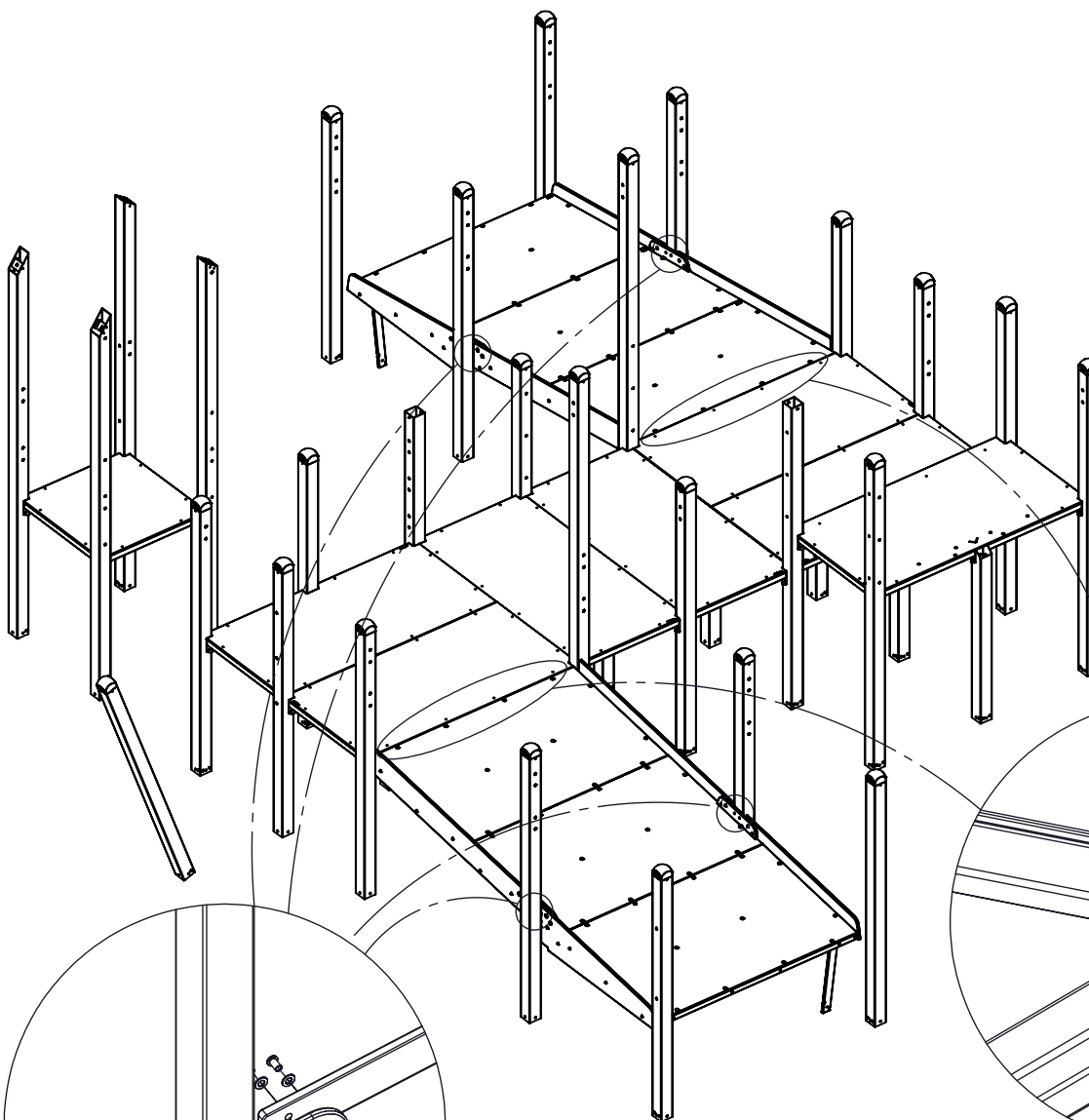
[cm]

vinci play

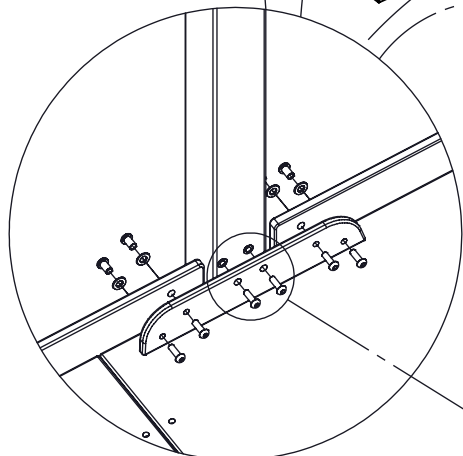
x2



1x 17p043



17p043



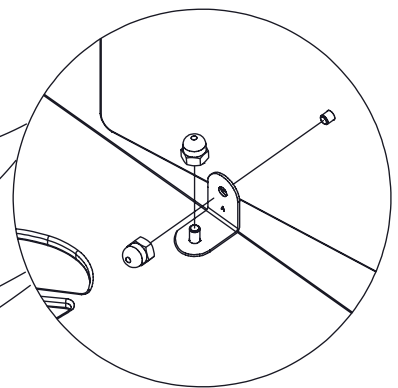
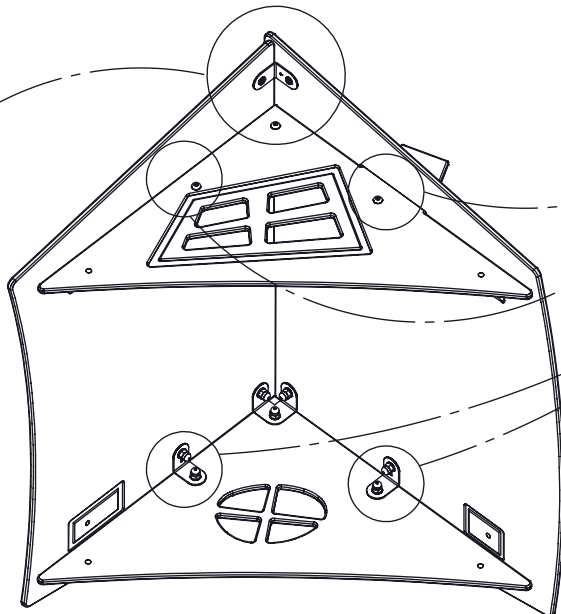
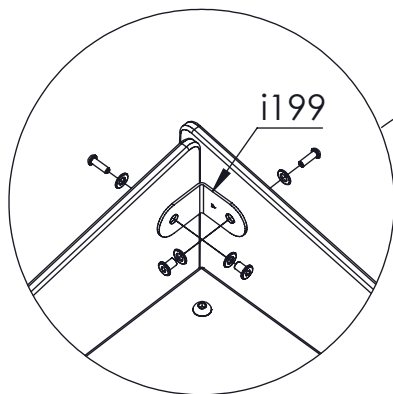
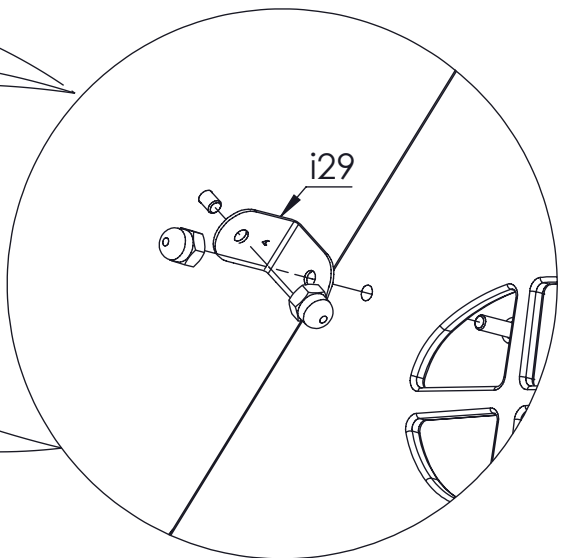
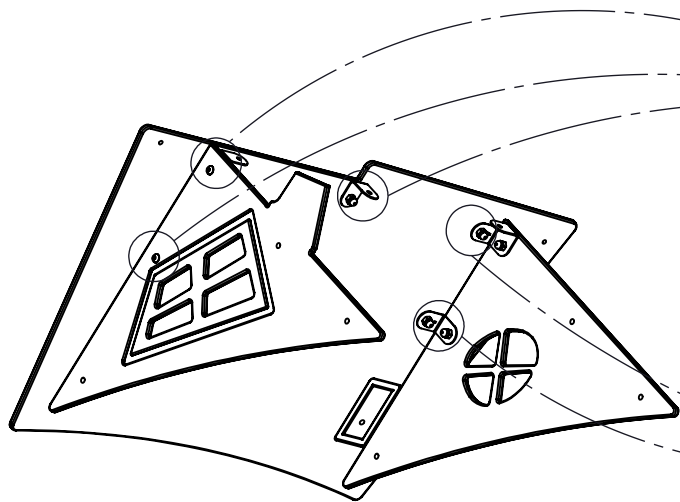
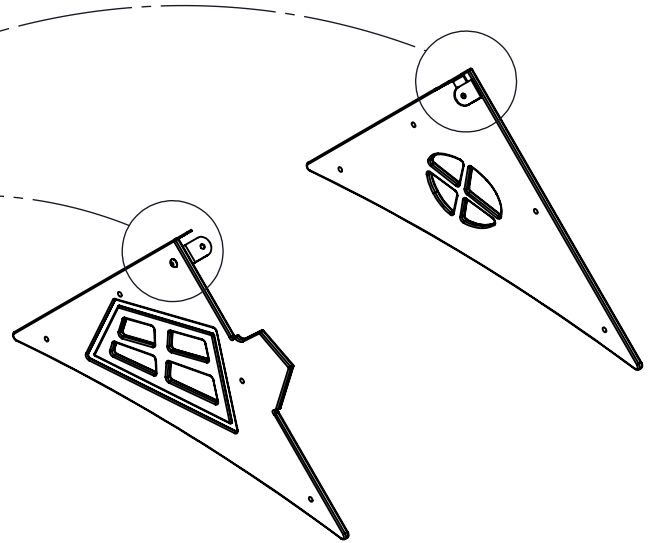
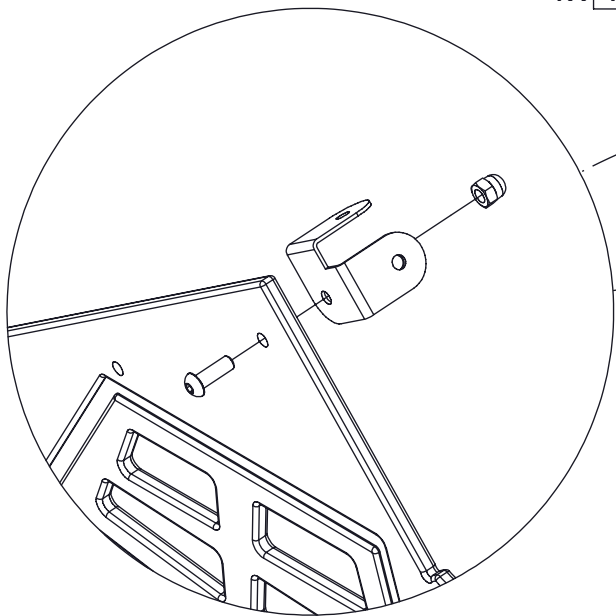
4x 17c066

8x 10x25ikl

[cm]

vinci
play

1x 17c020

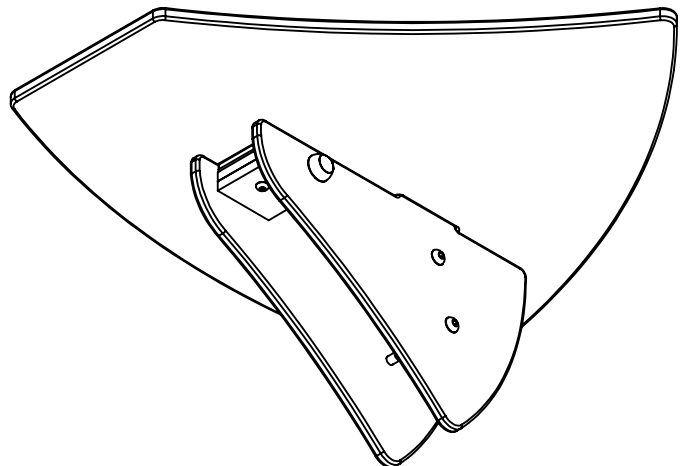
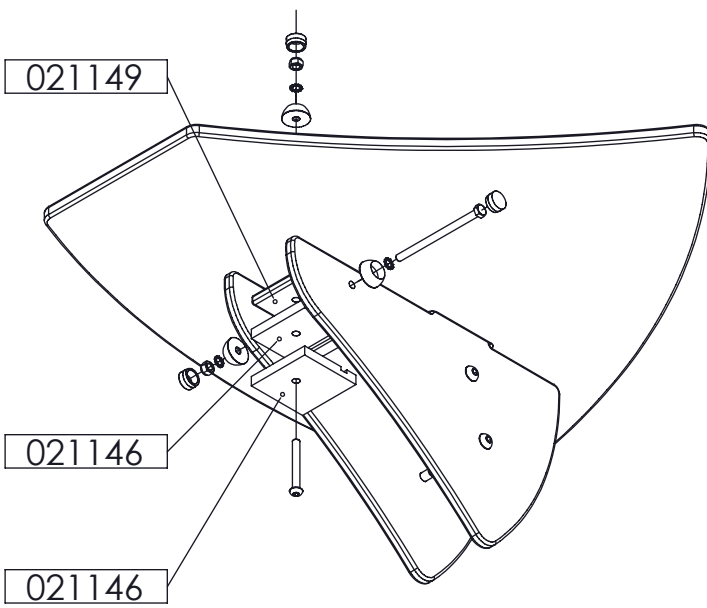
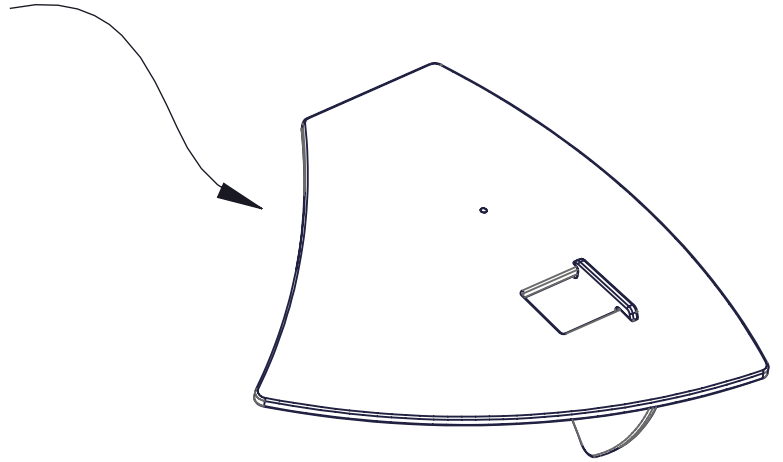
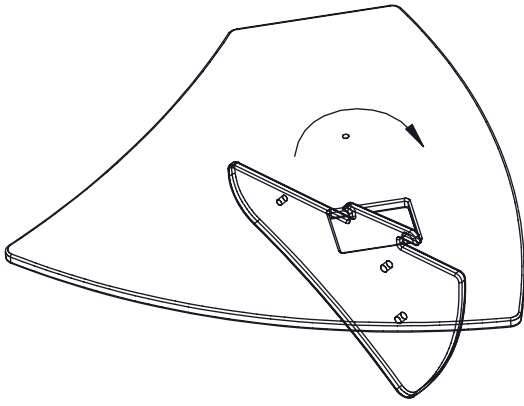


[cm]

vinci
play

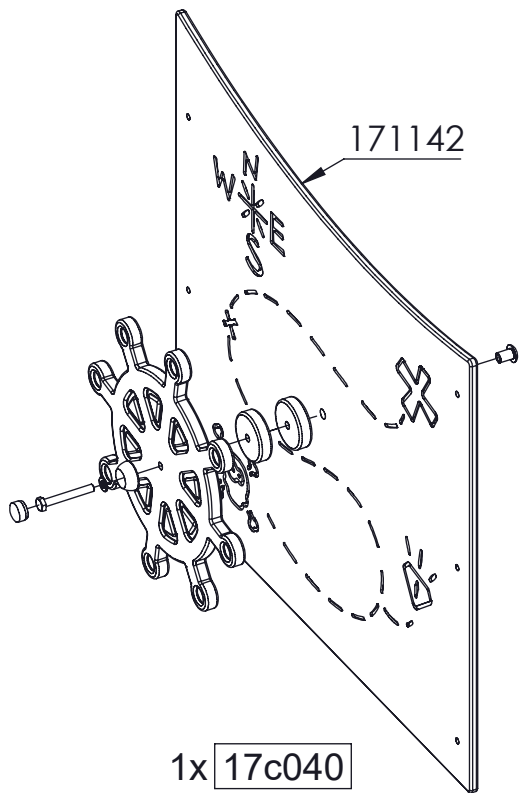
x2

1x 17c032

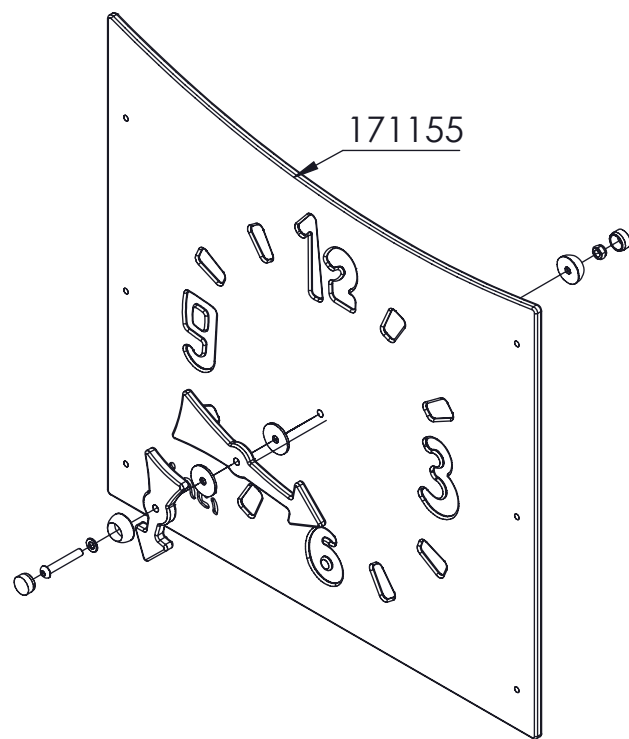


[cm]

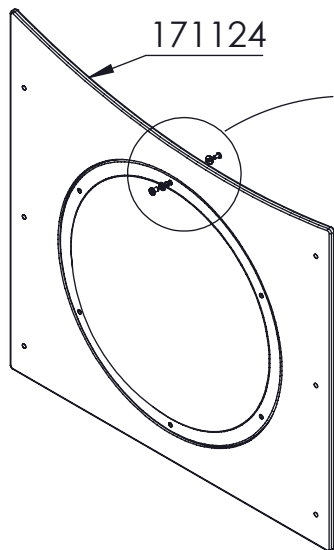
vinci
play



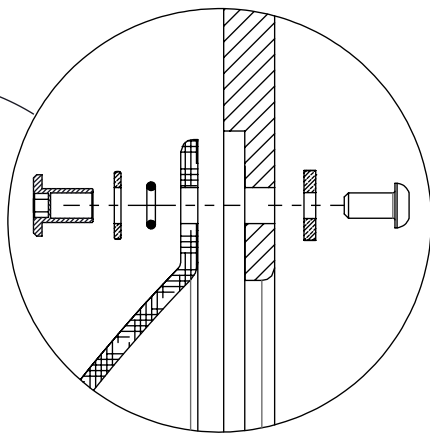
1x 17c040



1x 17c048



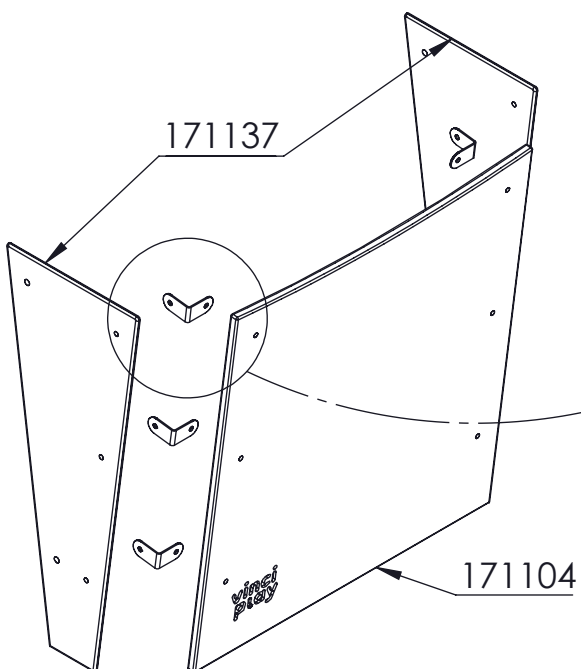
171124



1x CL9

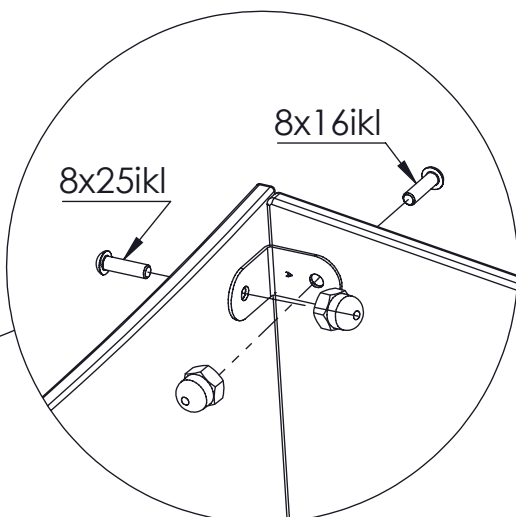


9 Nm
6,6 lbf.ft



171137

171104



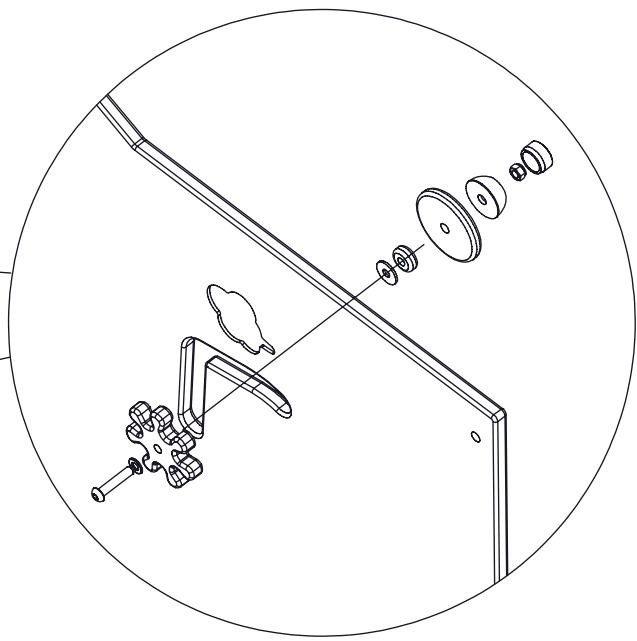
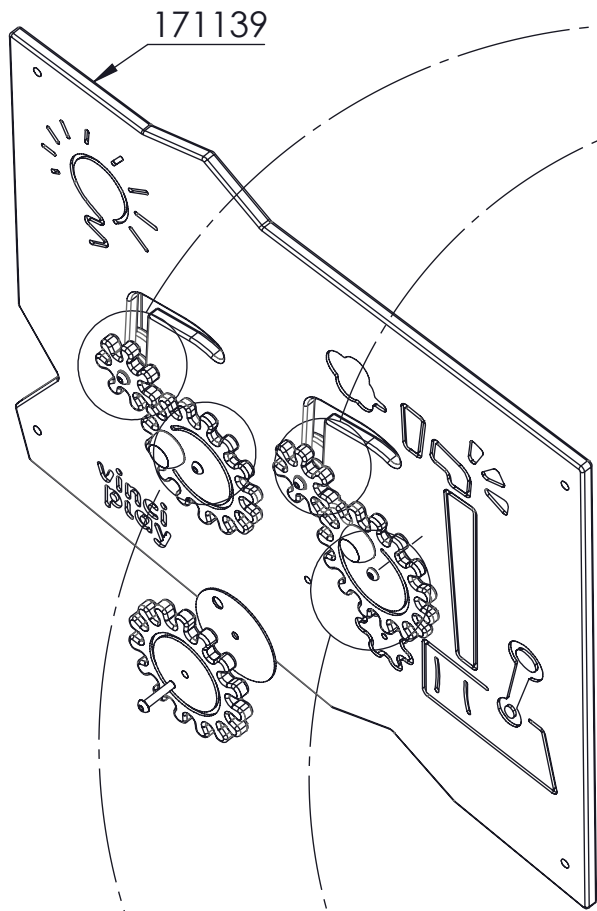
8x25i kl

8x16i kl

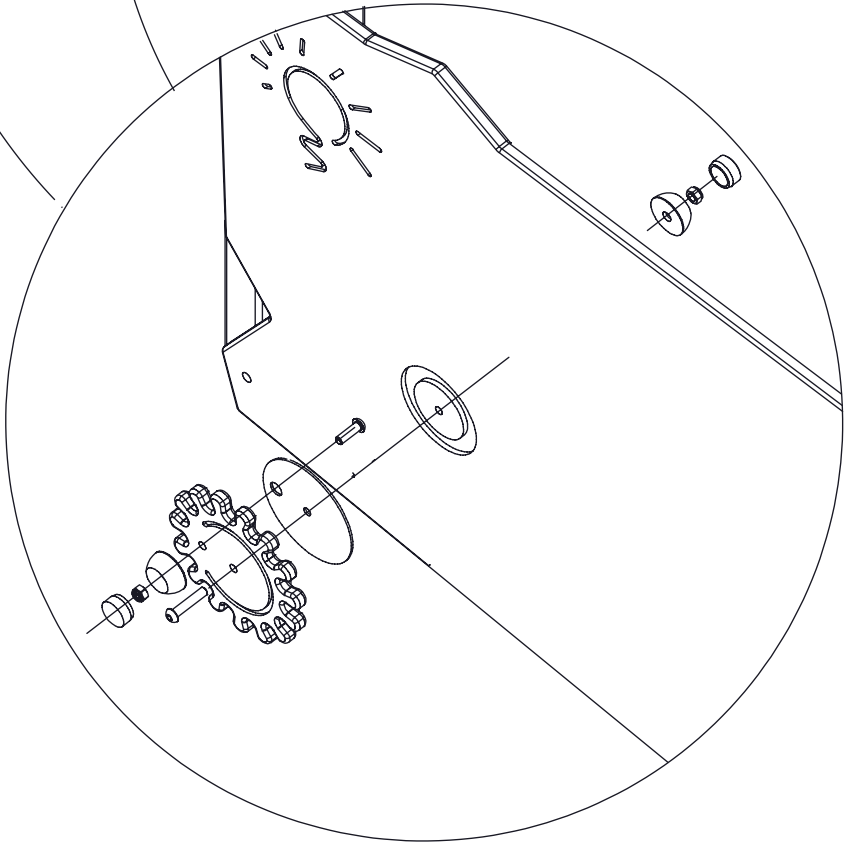
1x 17c012

[cm]

vinci
play

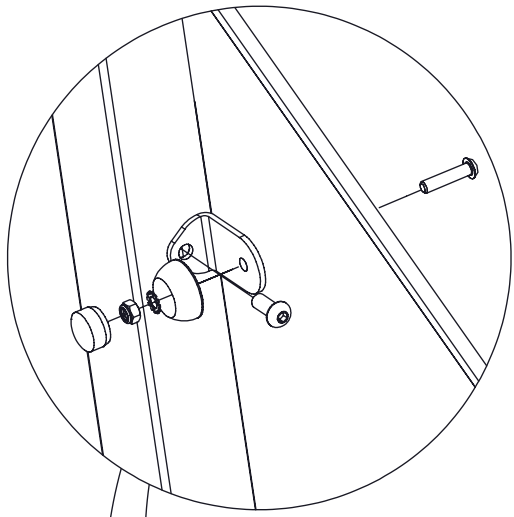


1x WD19

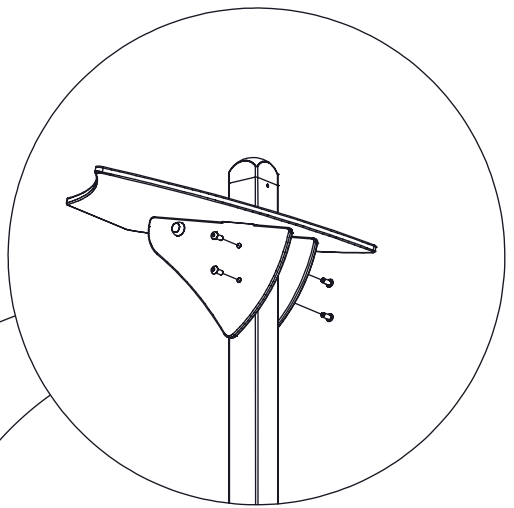


[cm]

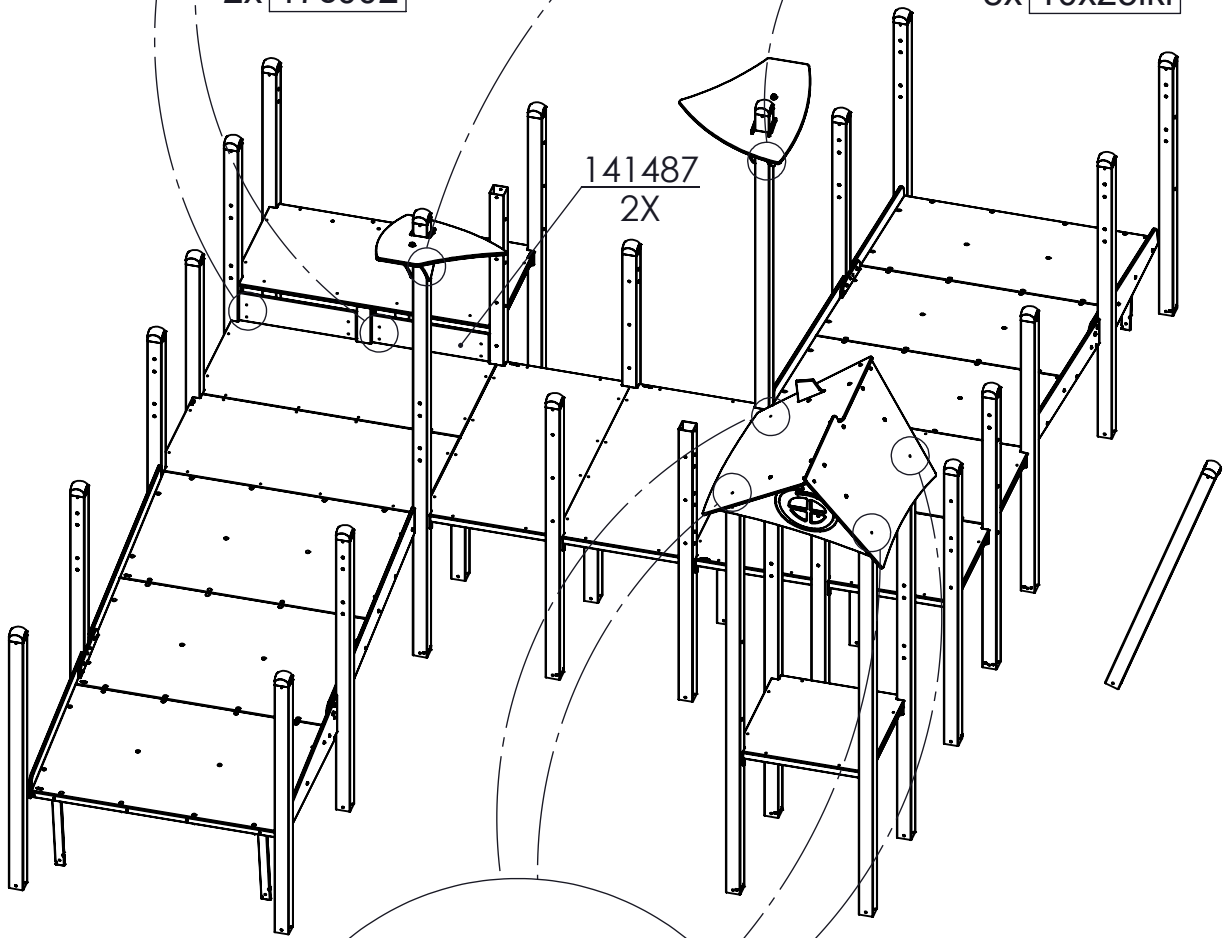
vinci
play



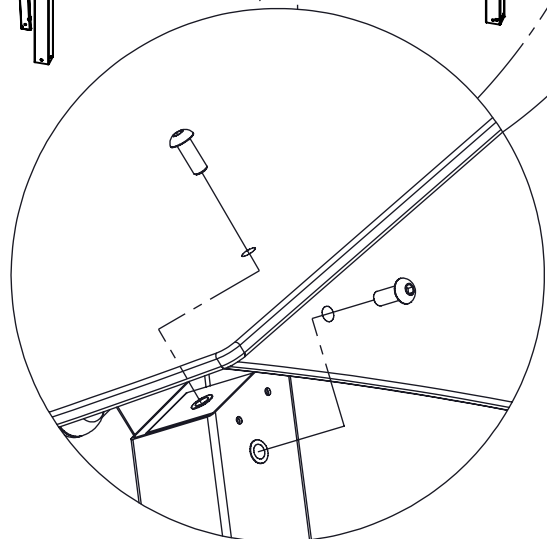
2x 17c002



8x 10x25ikl



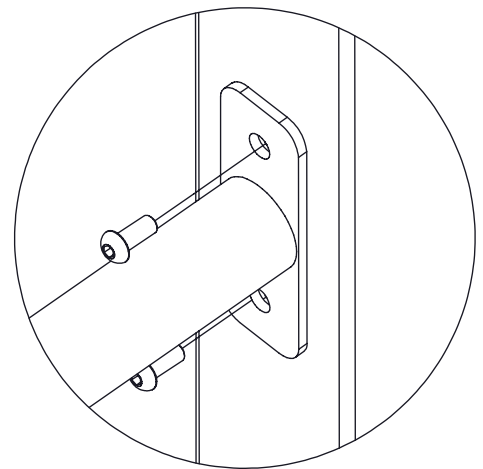
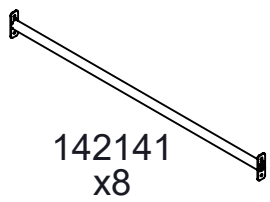
141487
2X



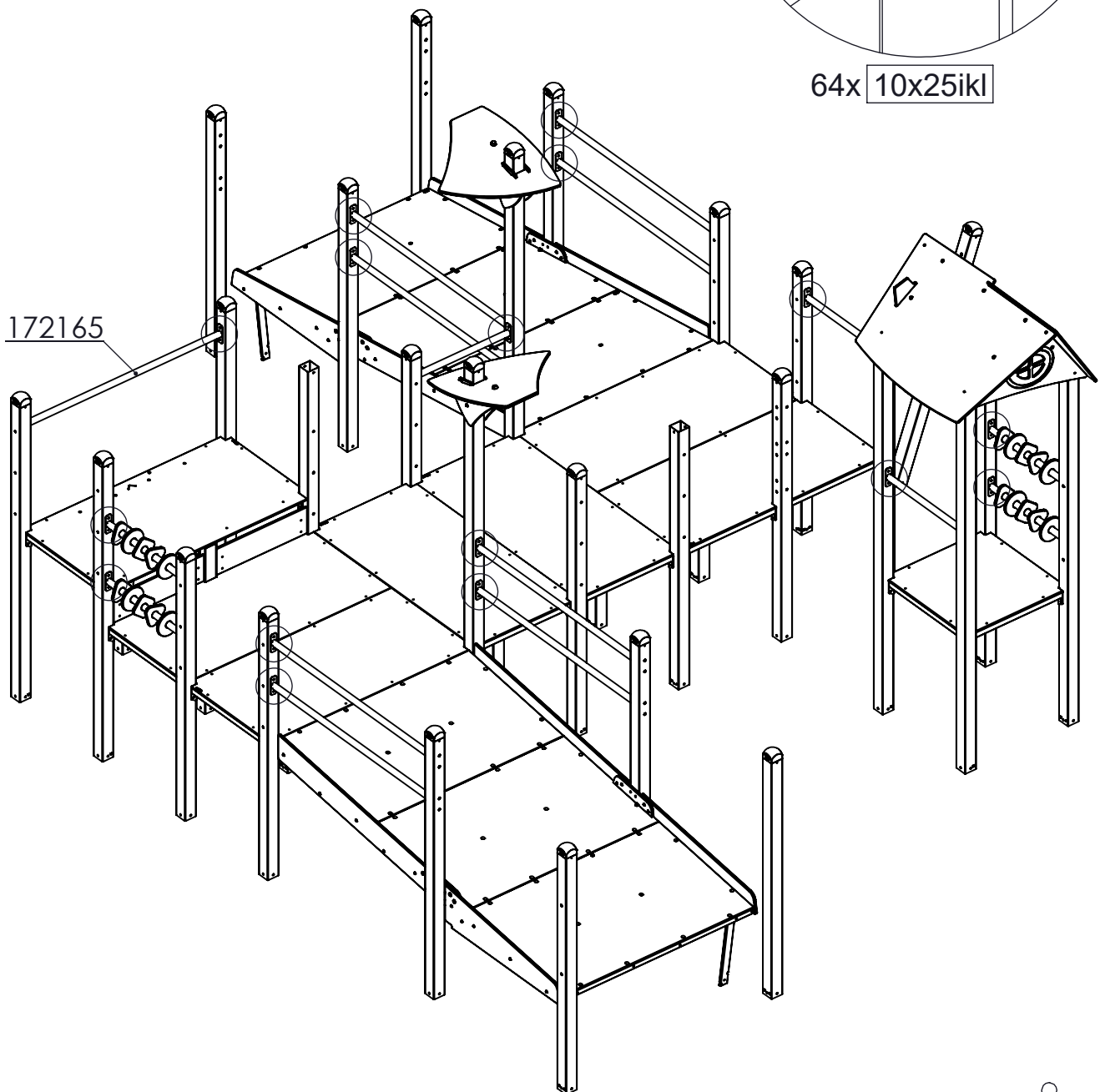
8x 10x30ikl

[cm]

vinci
play

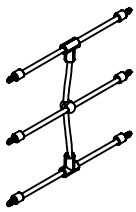


64x 10x25ikl



[cm]

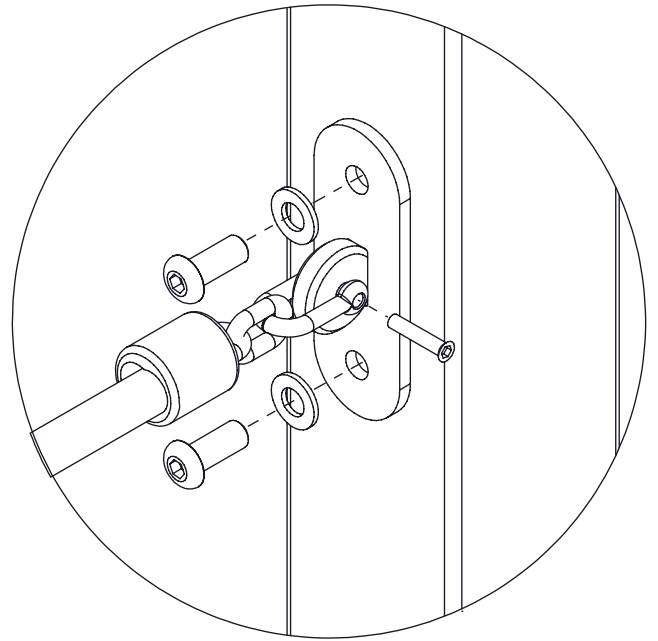
vinci
play



175106
x1



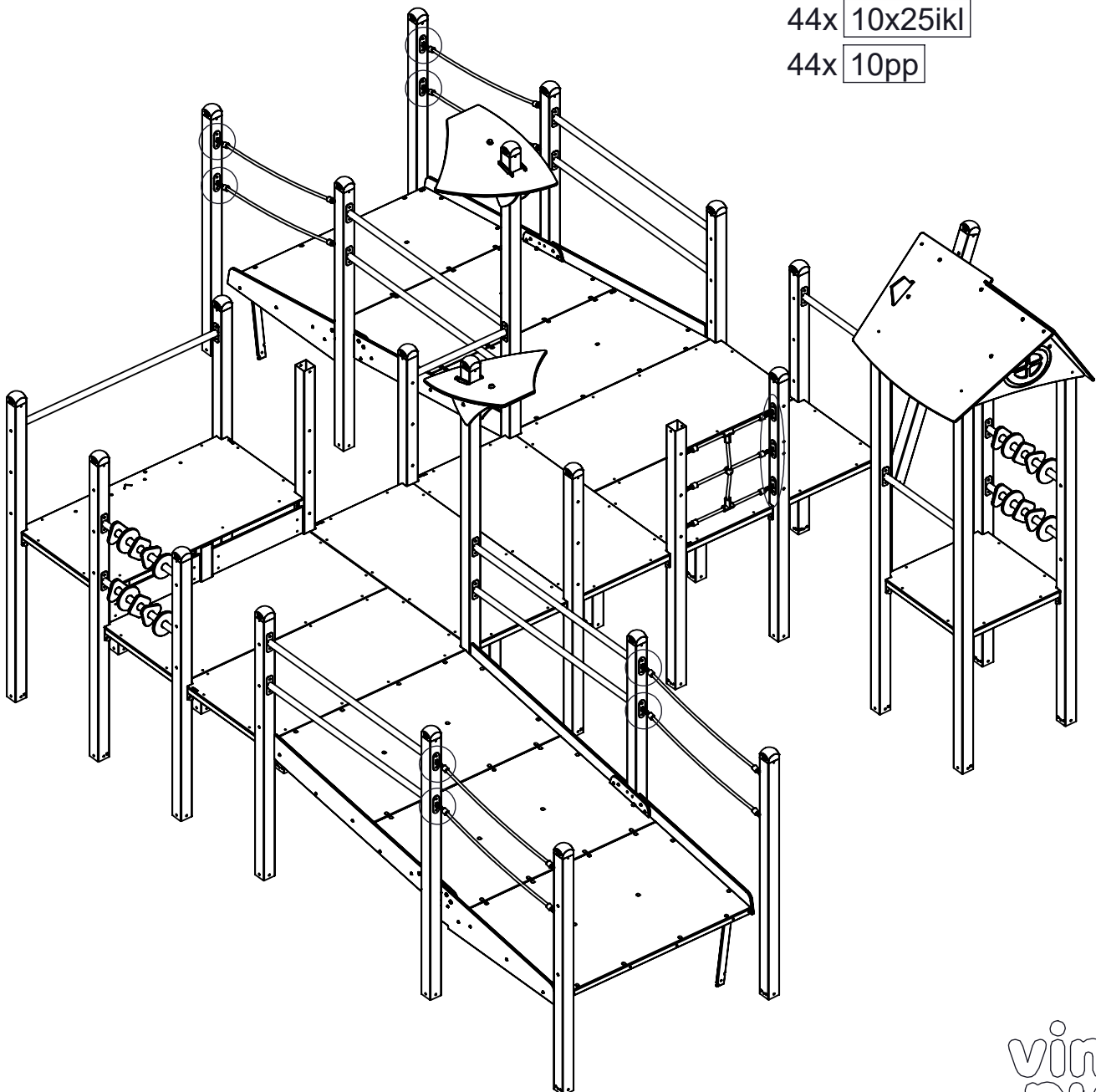
995141
x8



11x WD50

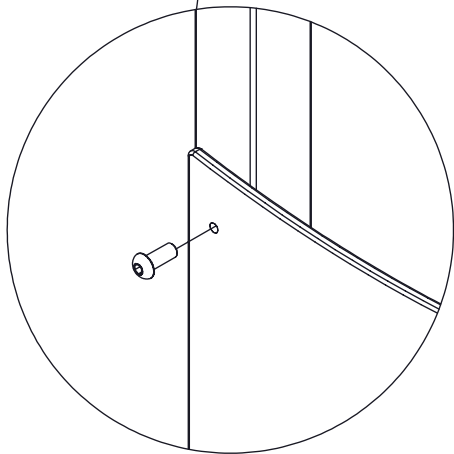
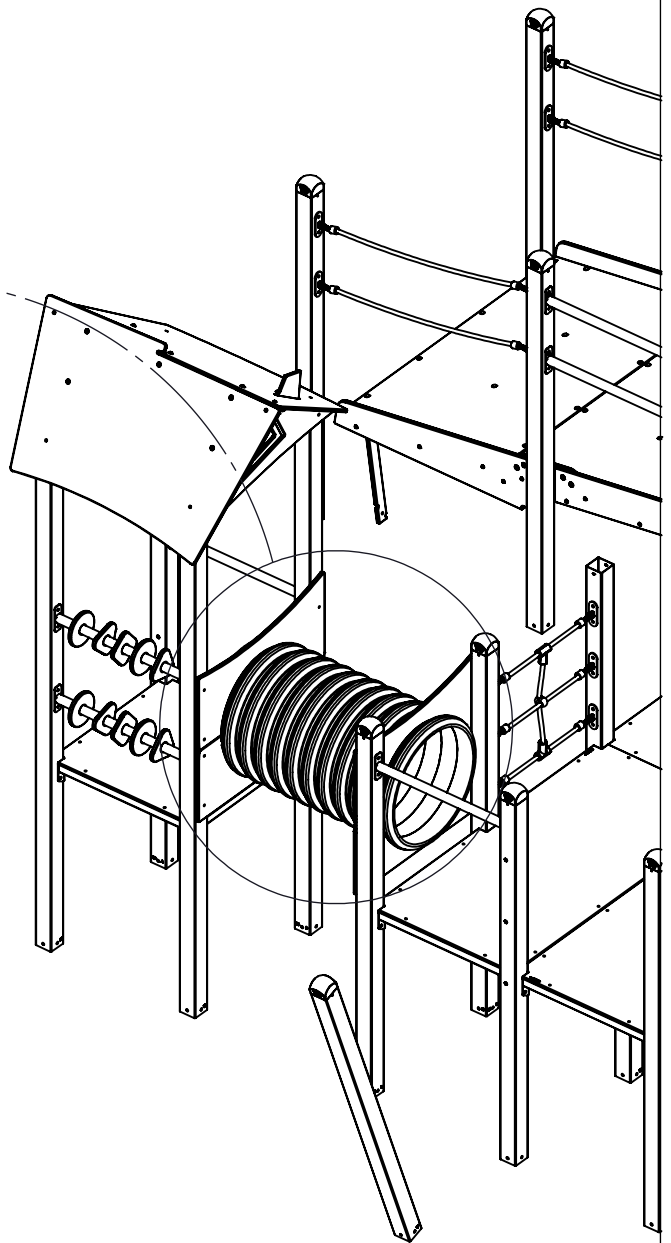
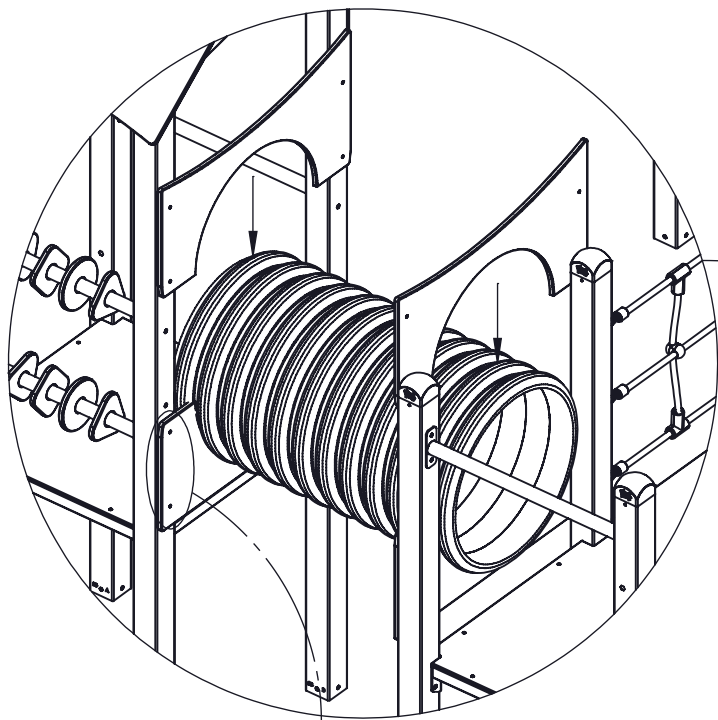
44x 10x25ikl

44x 10pp

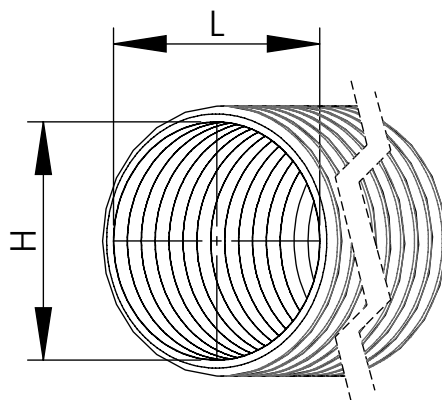
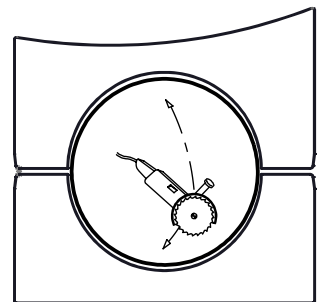
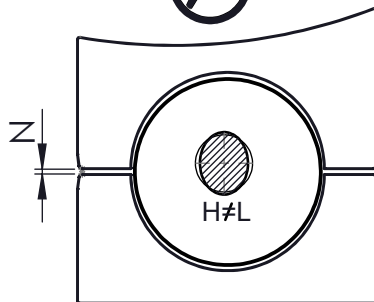
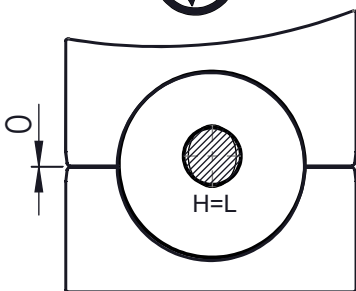


[cm]

vinci
play

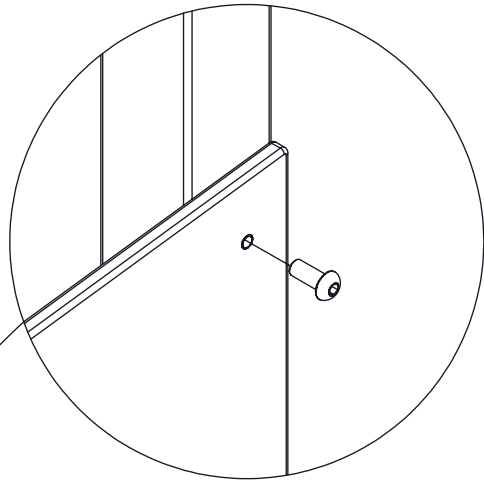
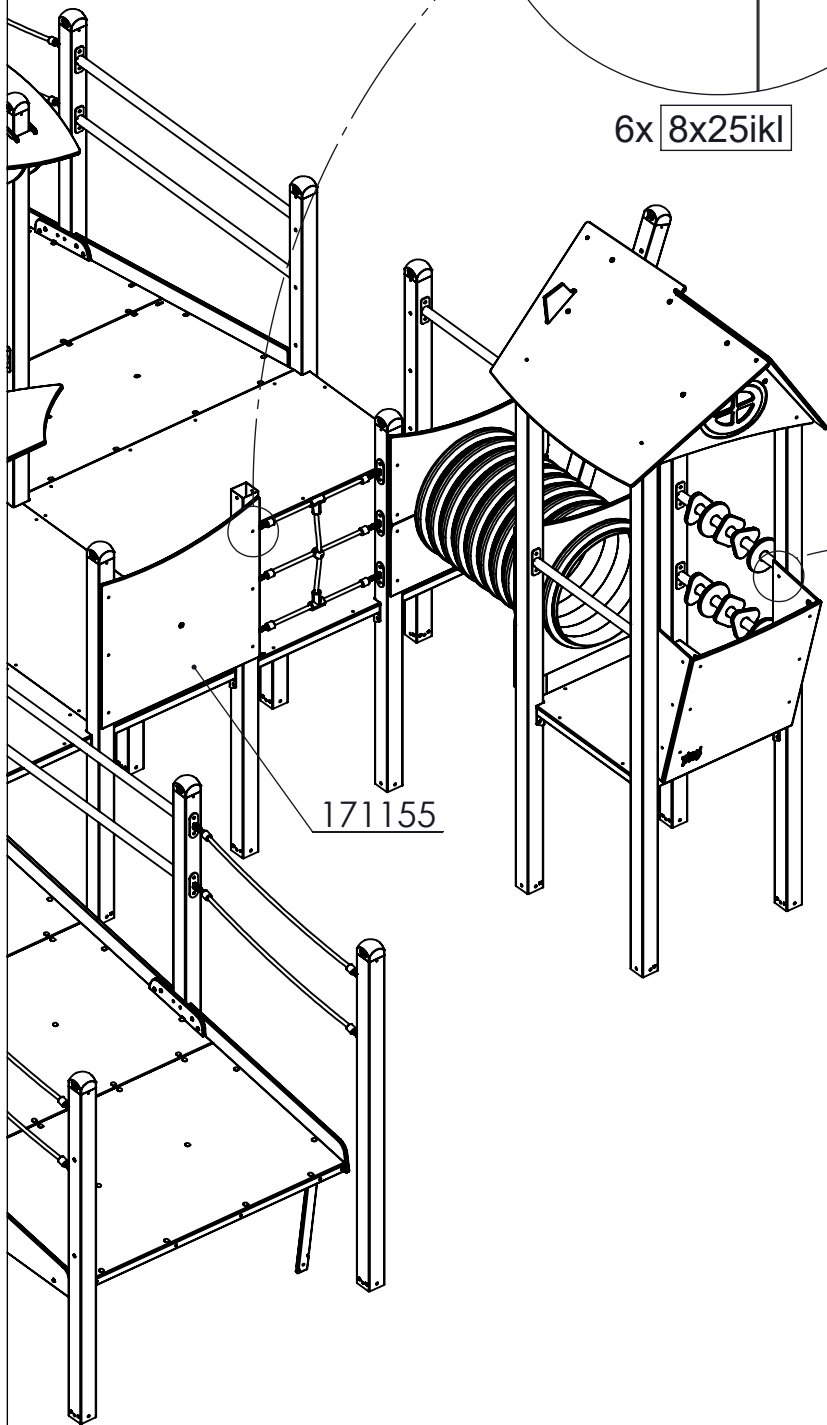


16x 8x30ikl

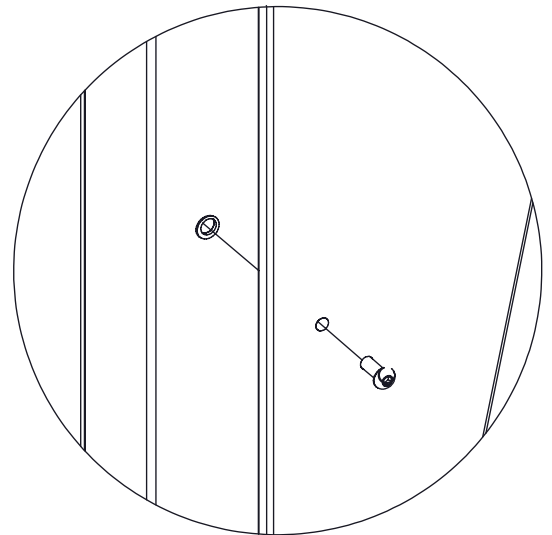


[cm]

vinci
play



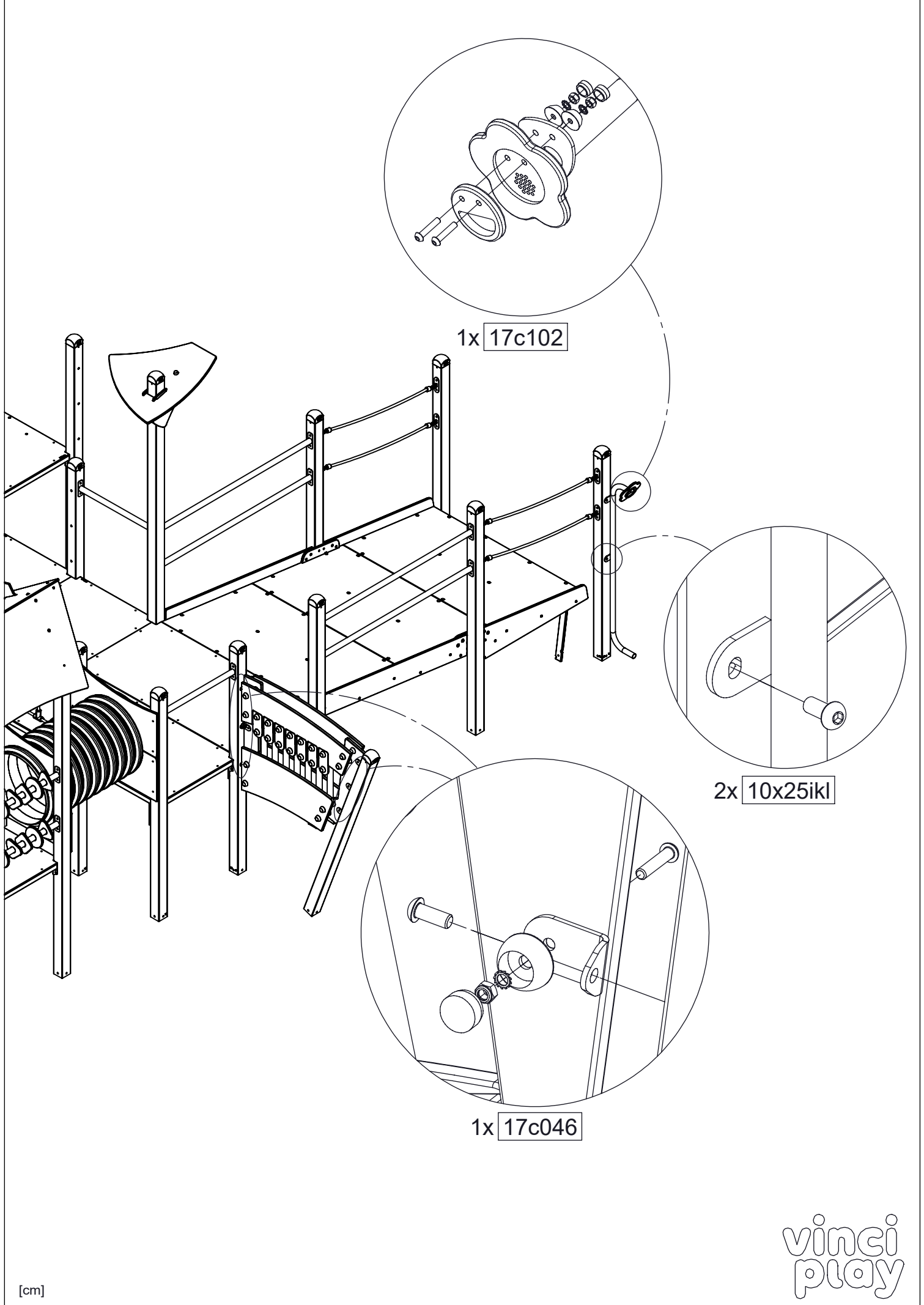
6x 8x25ikl



4x 10x25ikl

[cm]

vinci
play



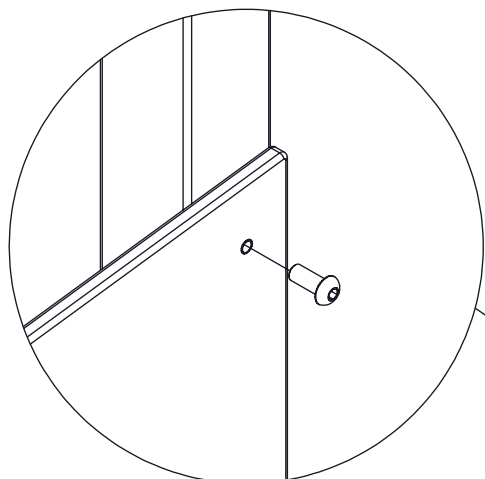
1x 17c102

2x 10x25ikl

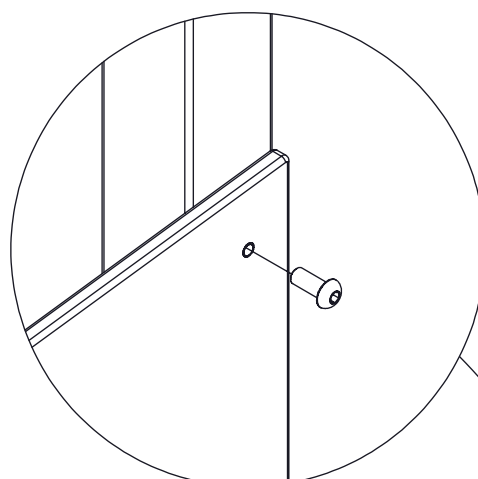
1x 17c046

[cm]

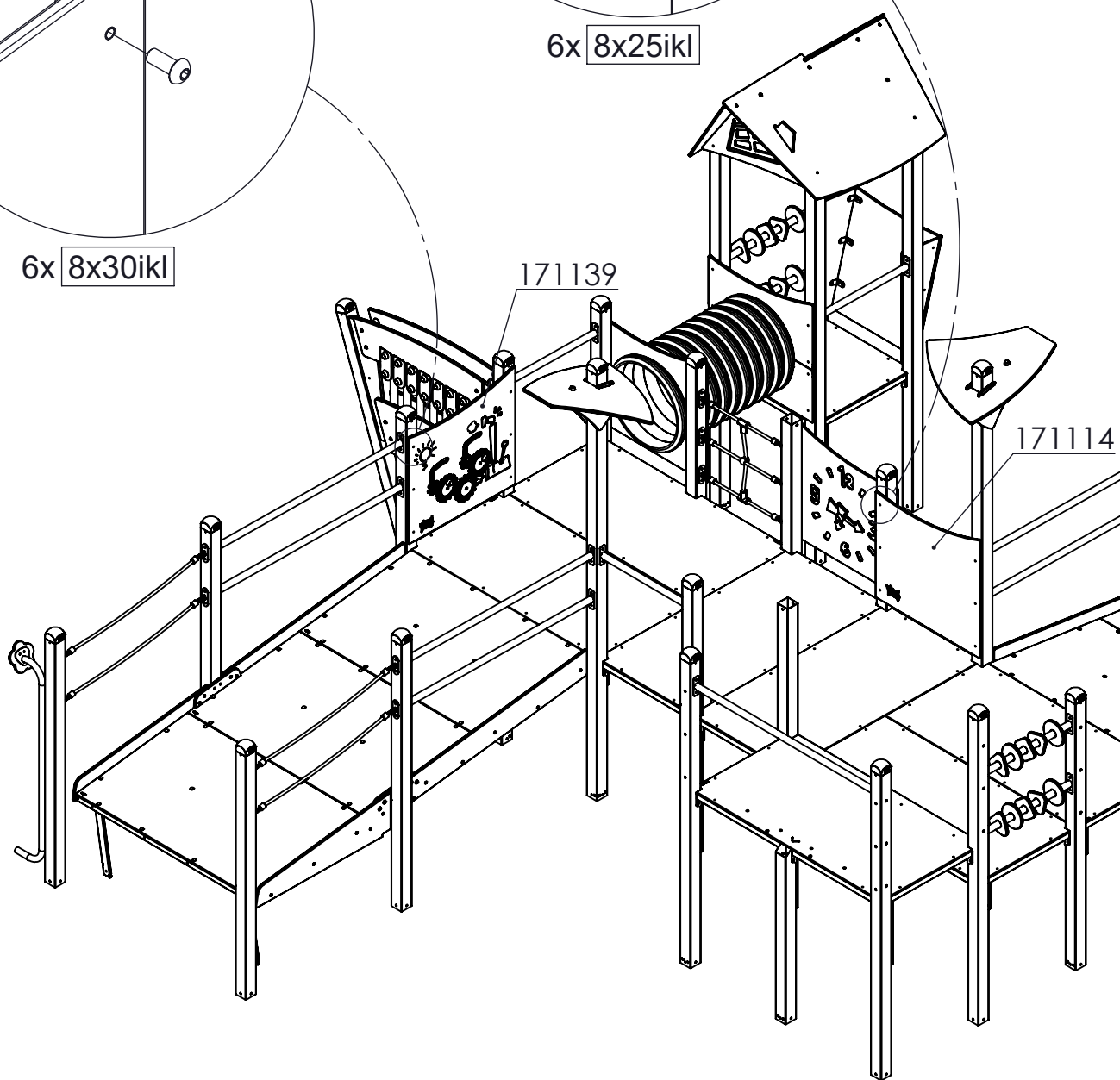
vinci
play



6x 8x30ikl

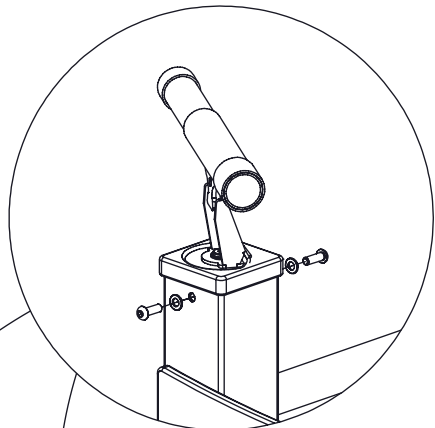


6x 8x25ikl



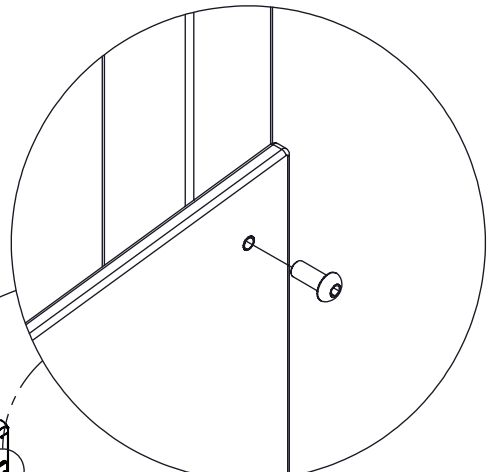
[cm]

vinci
play



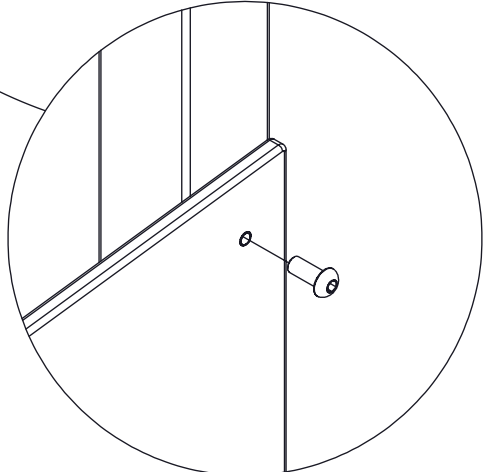
4x 8x25i|k|

4x 8pp

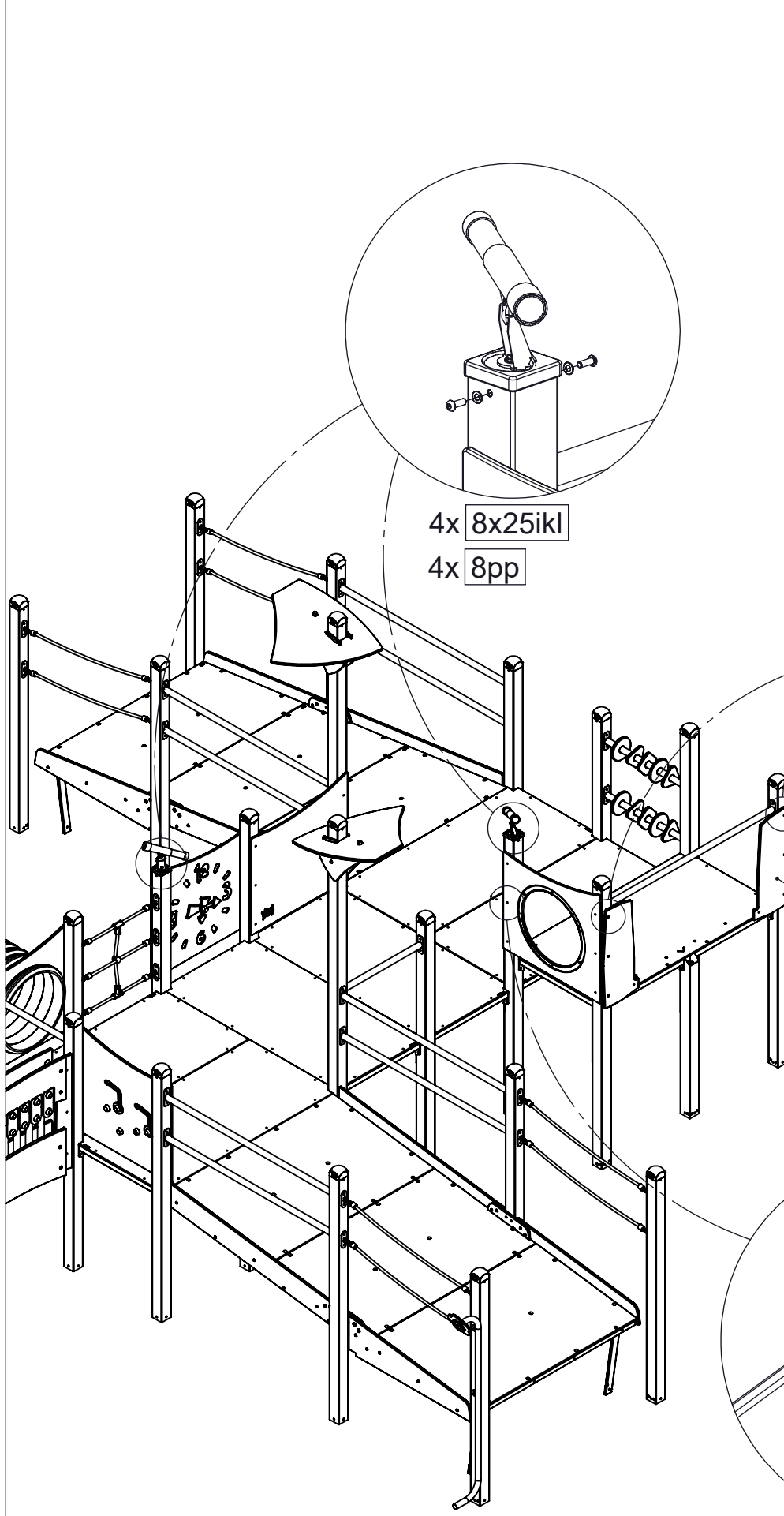


6x 8x30i|k|

171345
2X

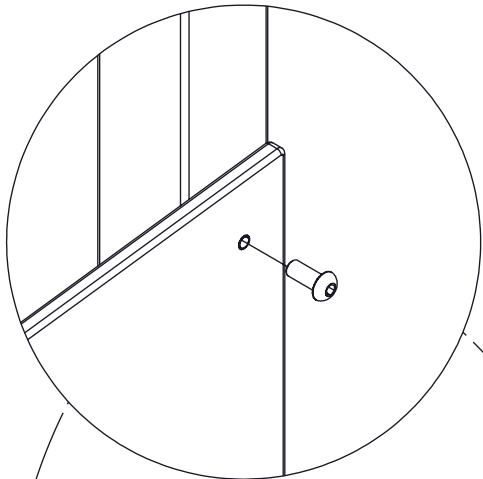


6x 8x25i|k|



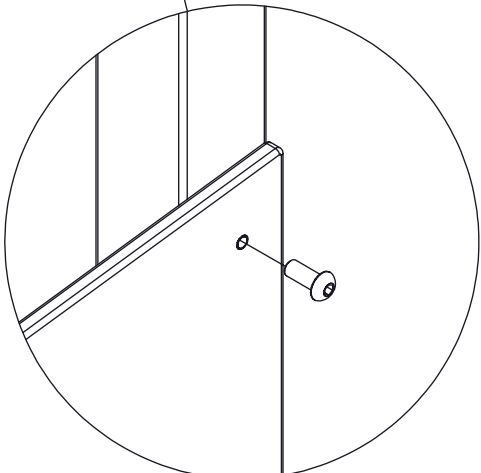
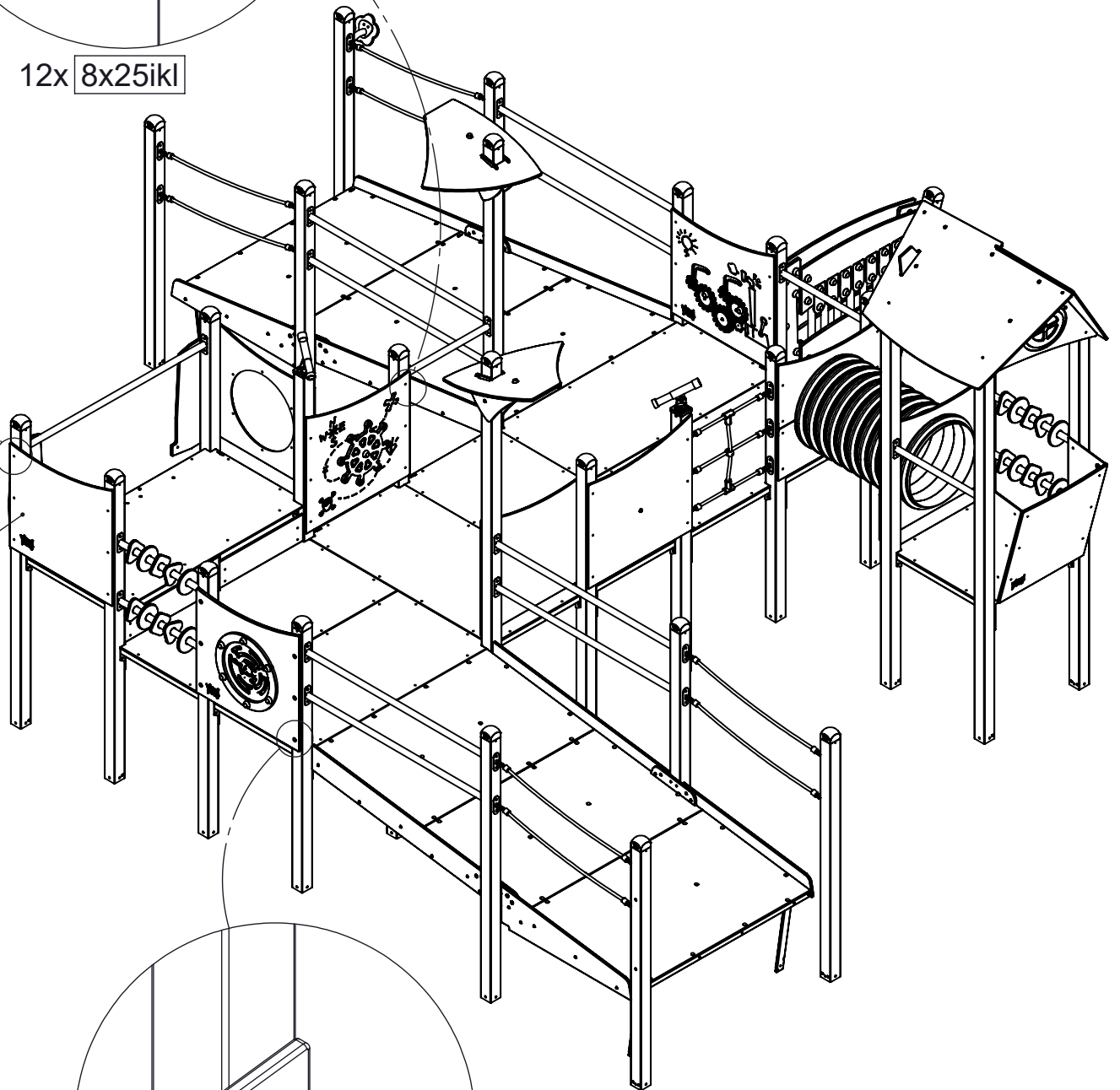
[cm]

vinci
play



12x 8x25ikl

171114

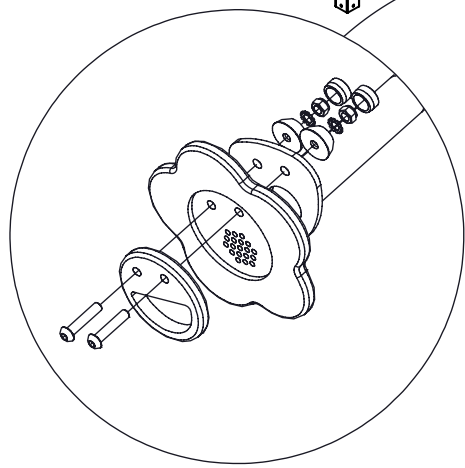
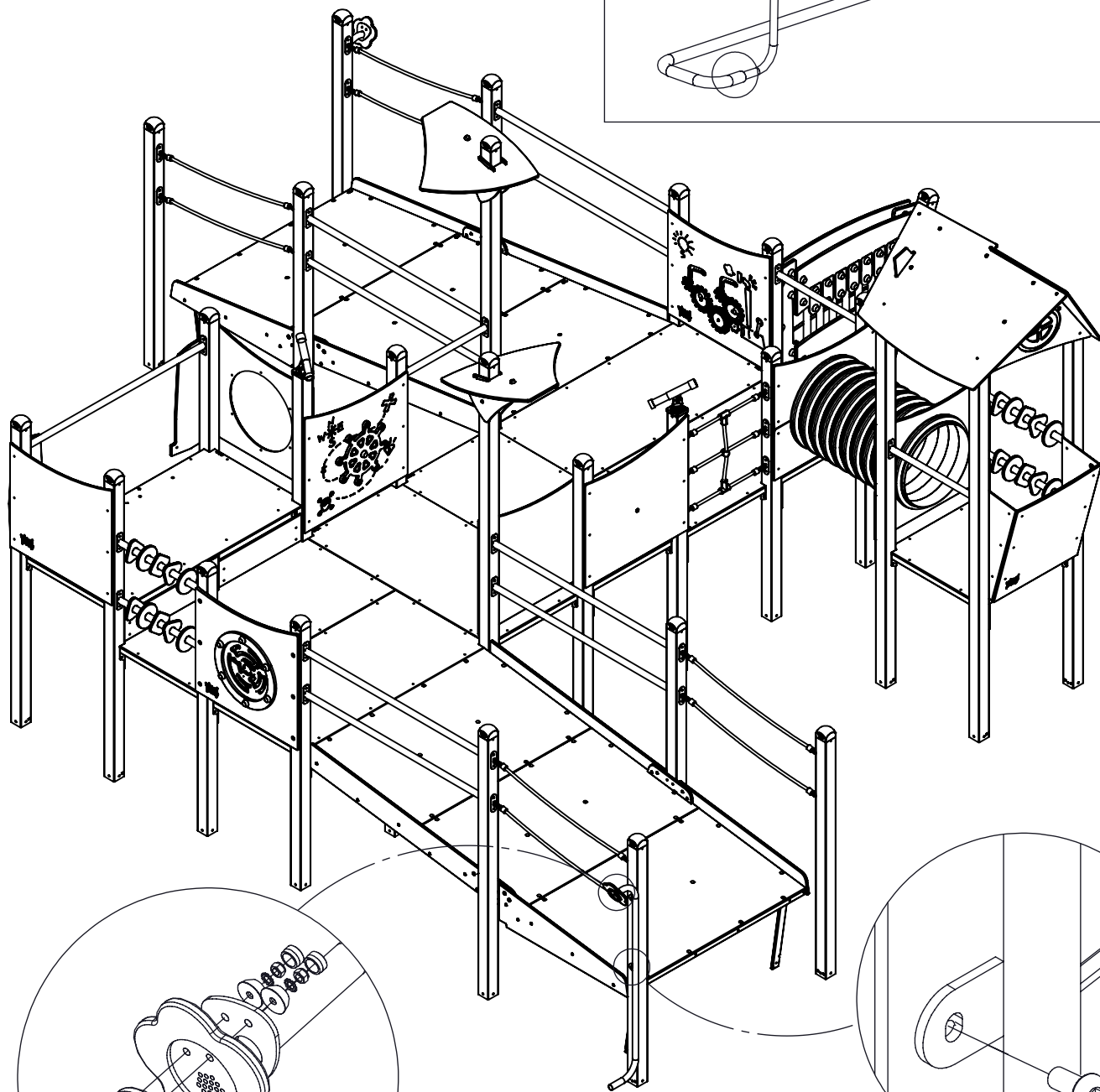
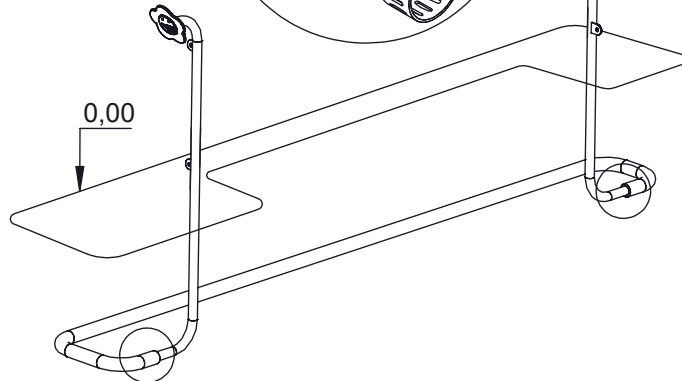
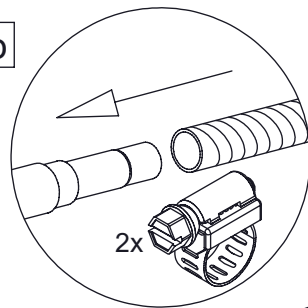


6x 8x30ikl

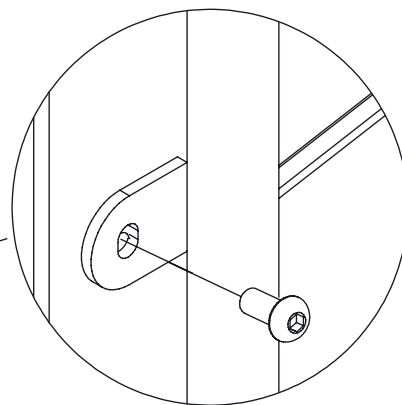
[cm]

vinci
play

4x 20-32op



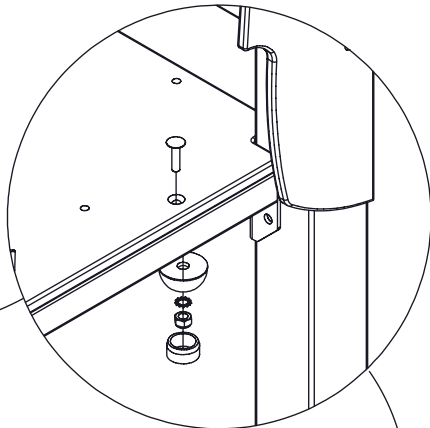
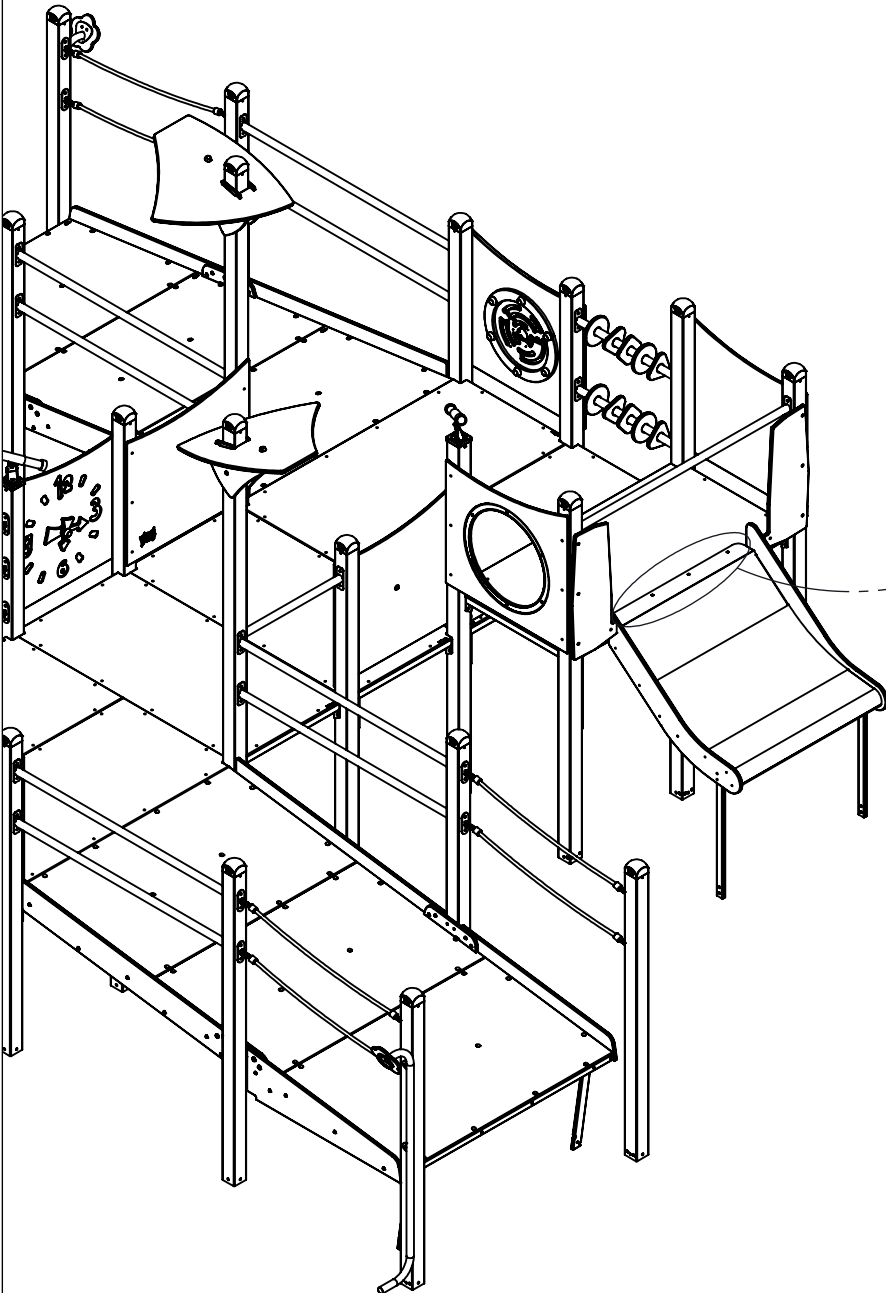
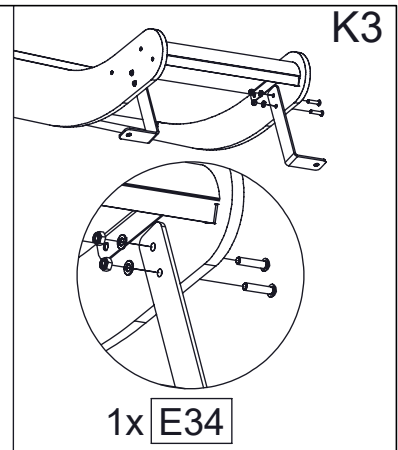
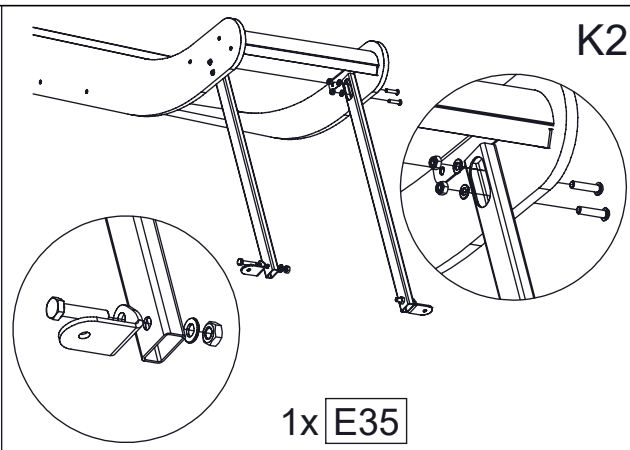
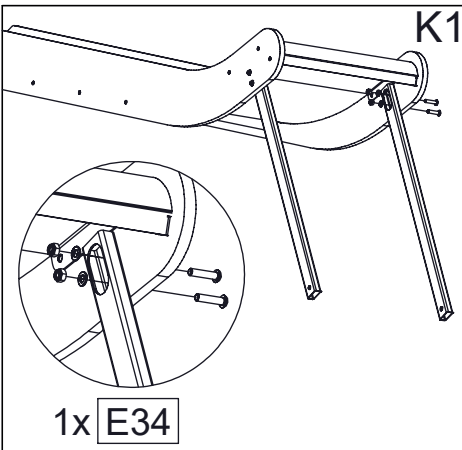
1x 17c102



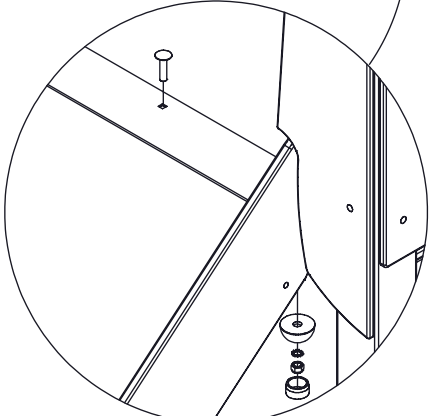
2x 10x25ikl

[cm]

vinci
play

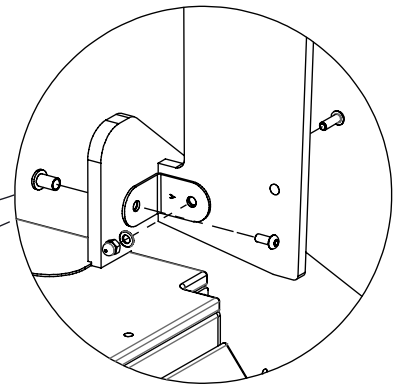
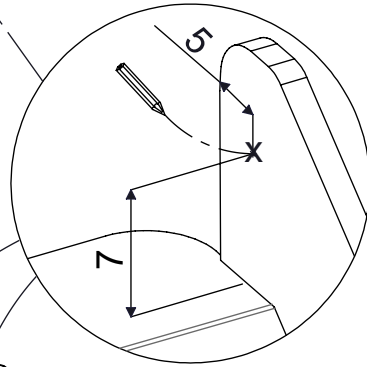
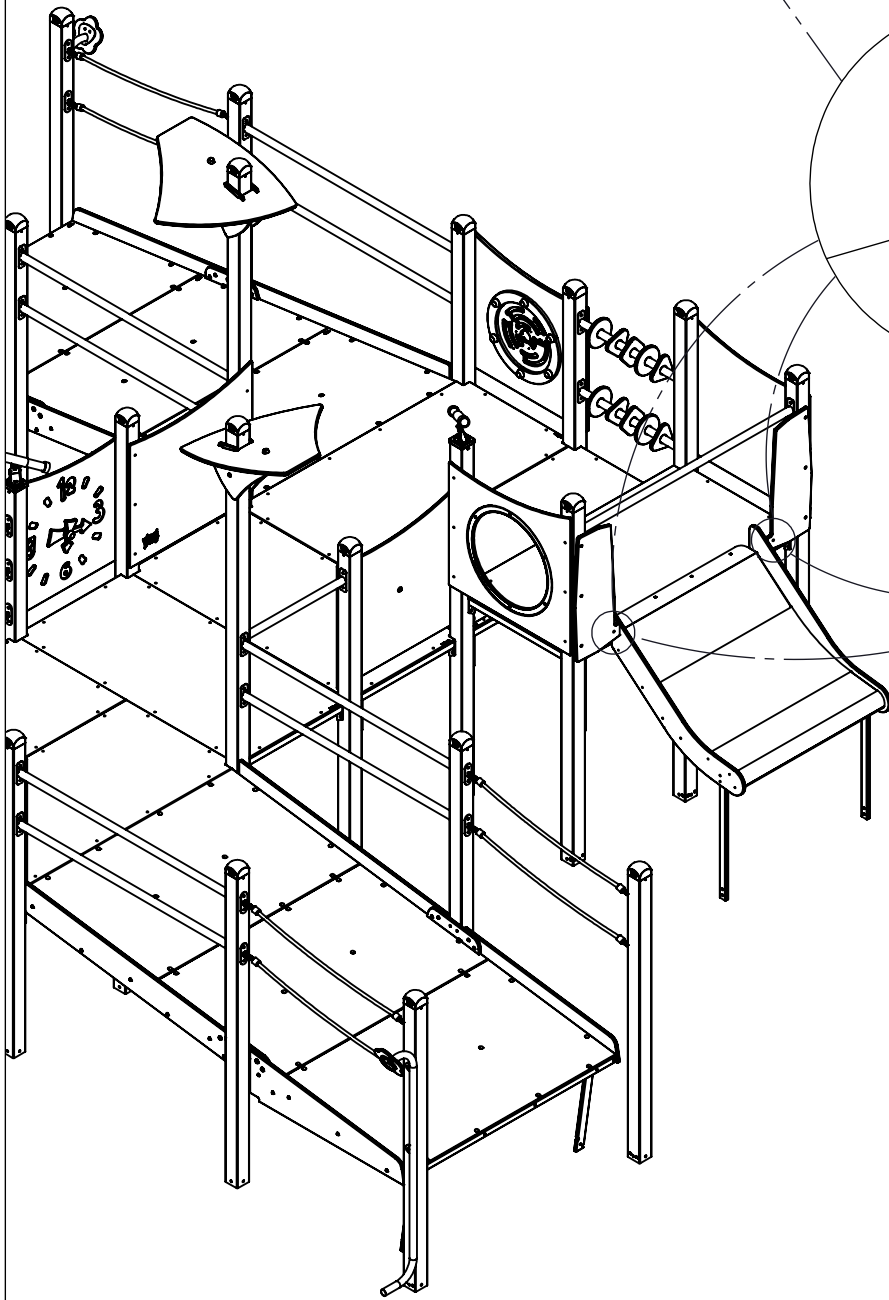
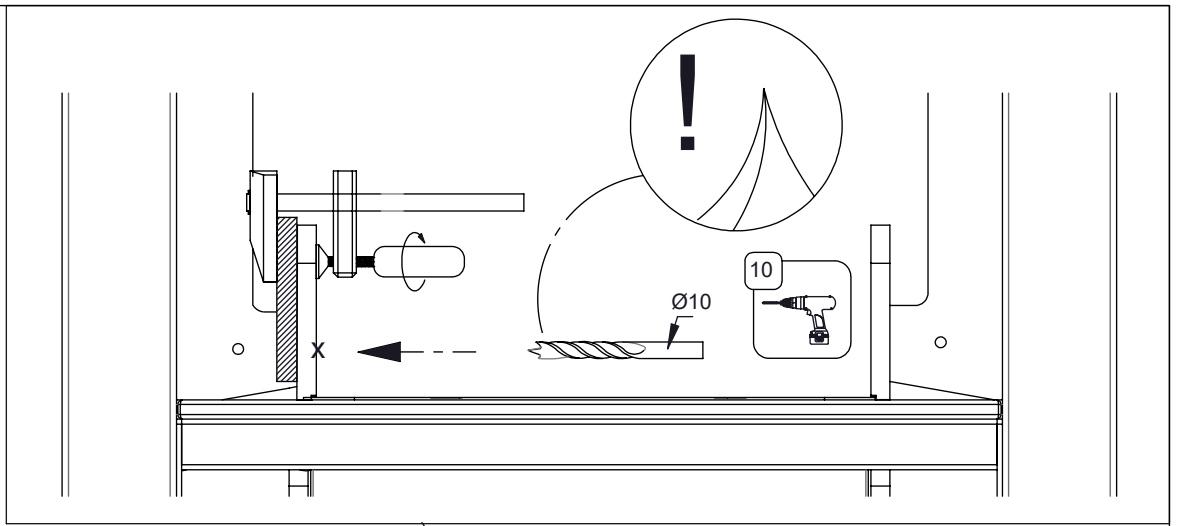


1x WD81



[cm]

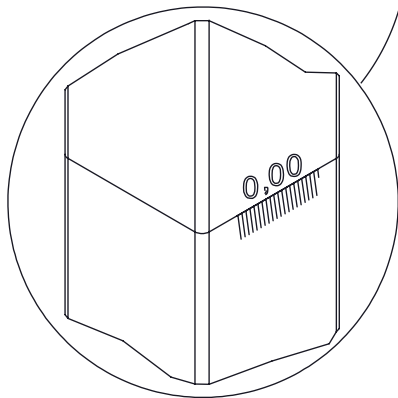
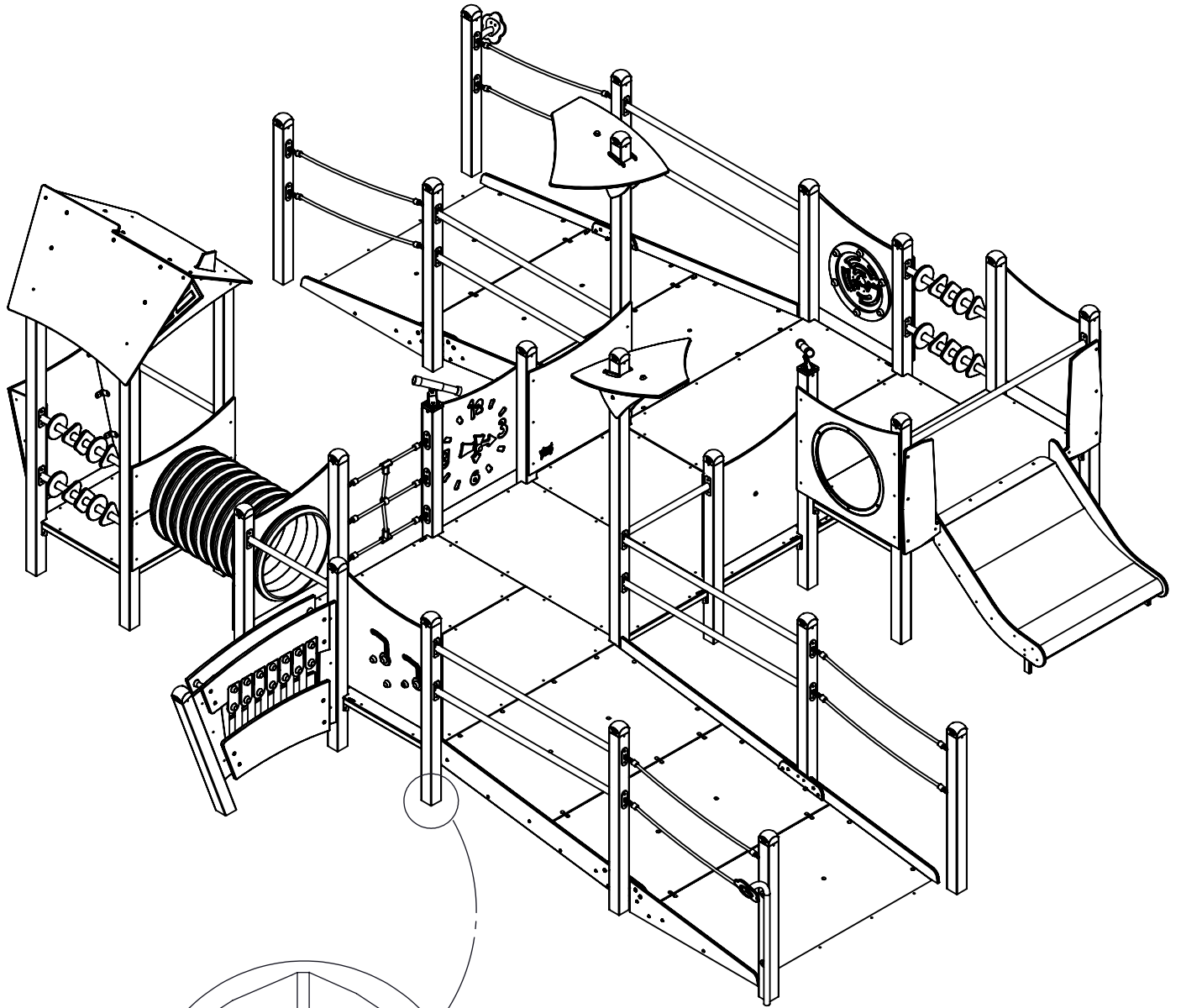
vinci
play



1x CE49

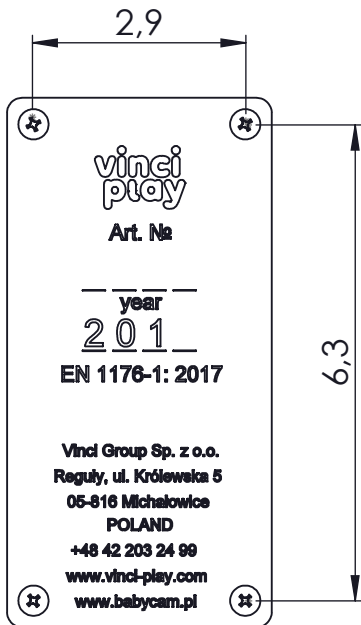
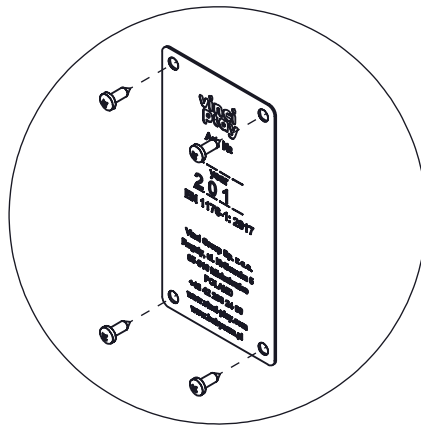
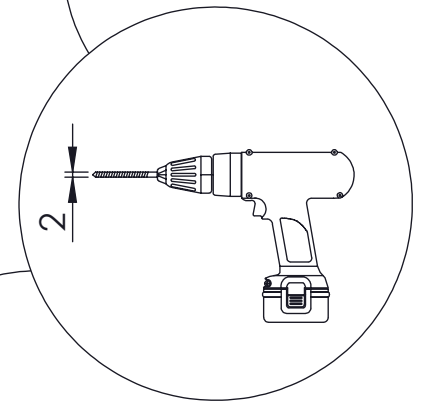
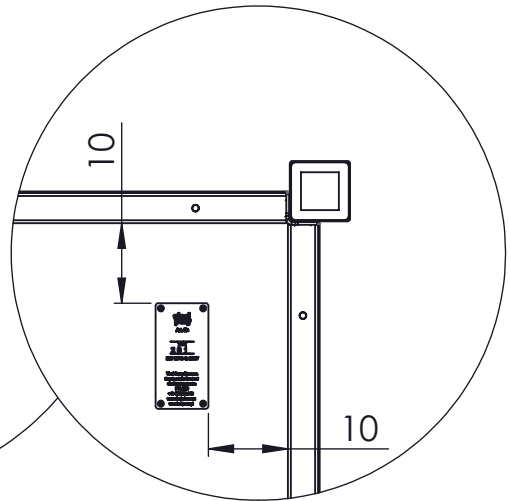
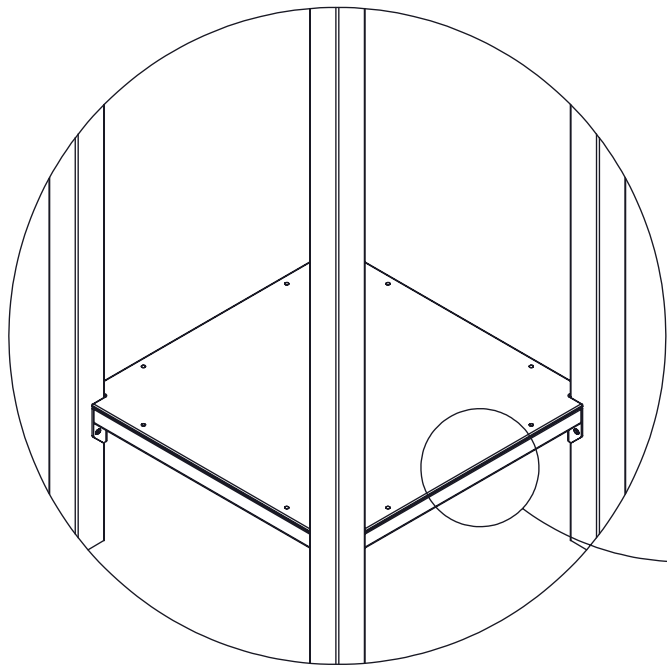
[cm]

vinci
play




[cm]

vinci
play

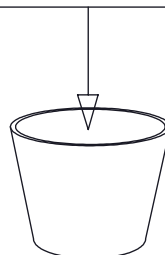


V001

Part No:
000000-
00000



000000-00000



vinci
play