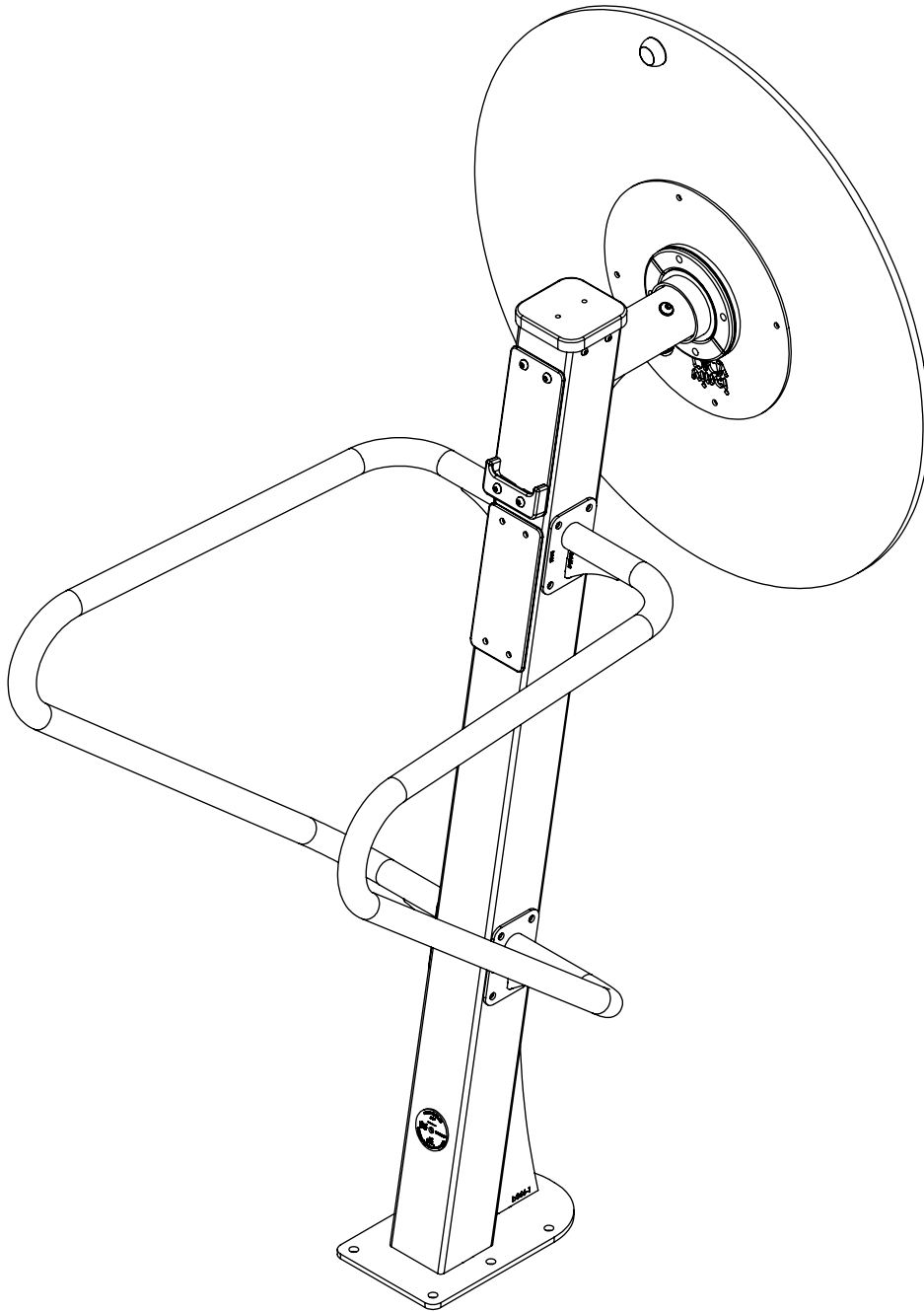
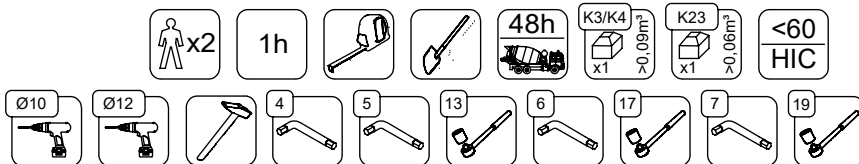


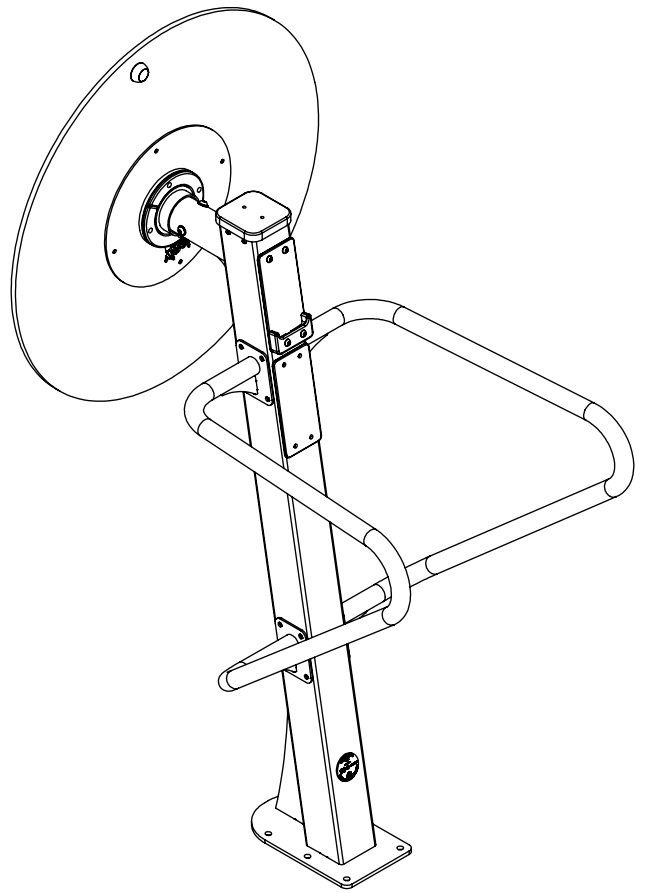
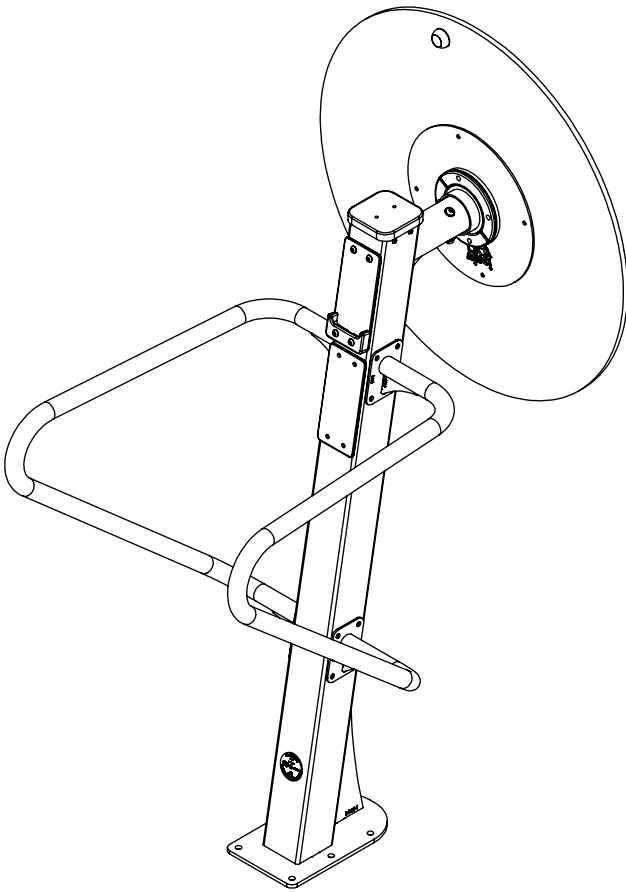
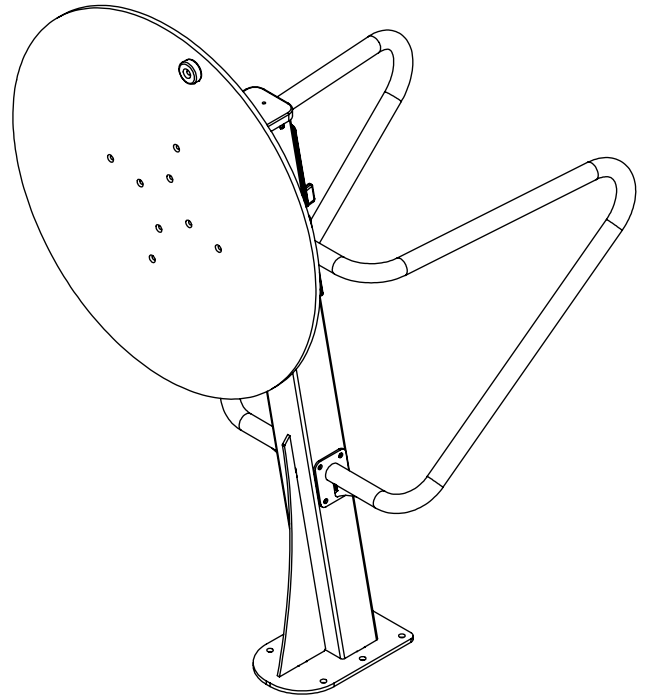
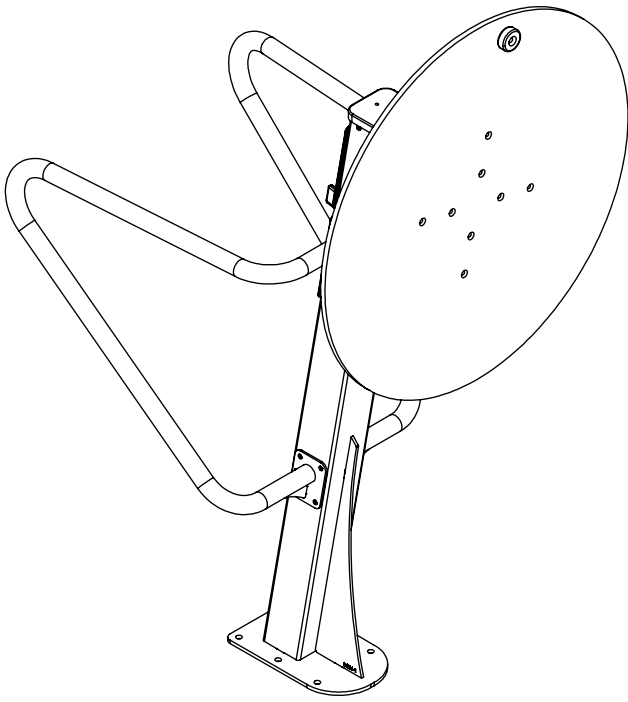
1156



v011
20.06.2023
K. M.
[cm]

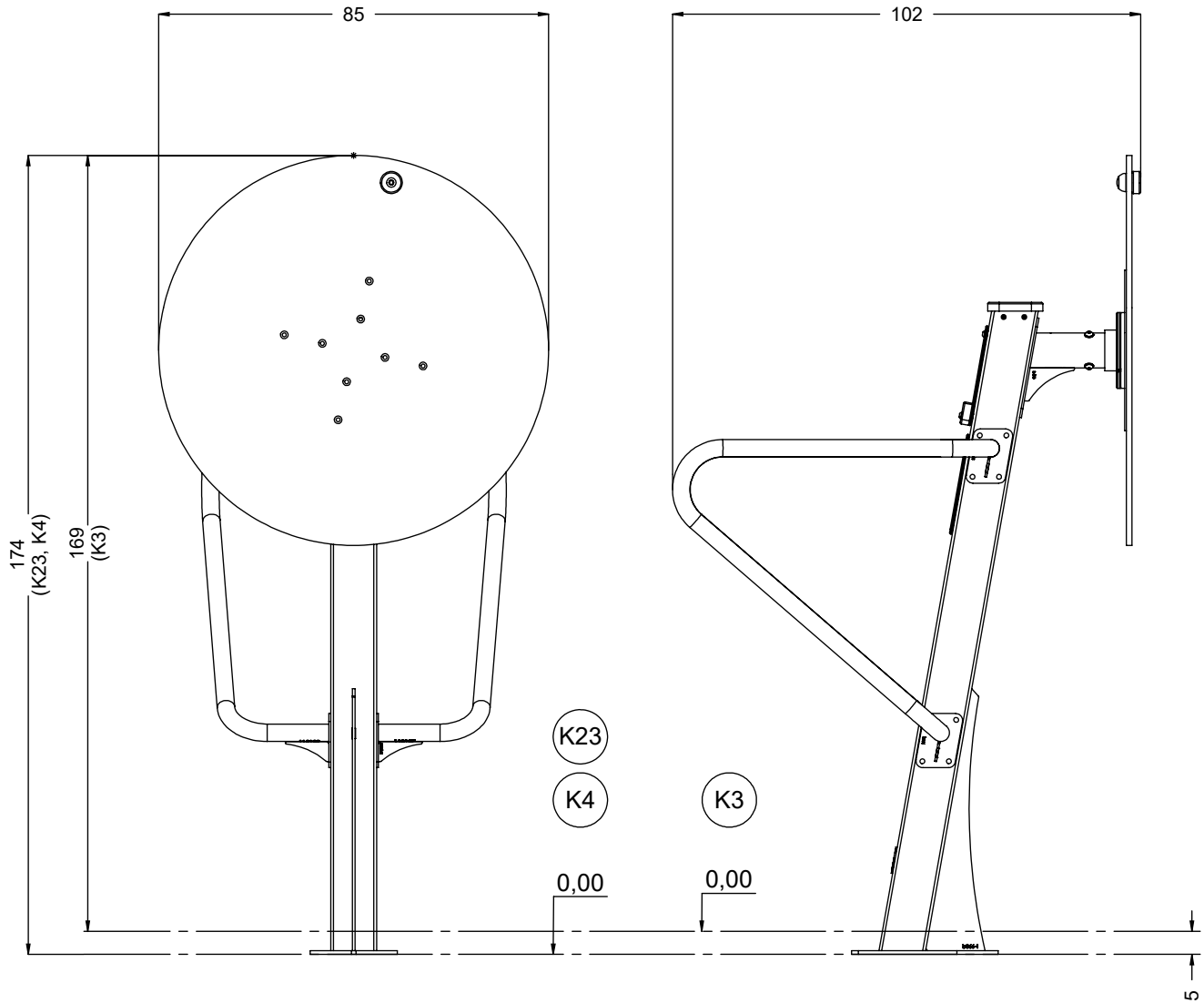


vinci
play



[cm]

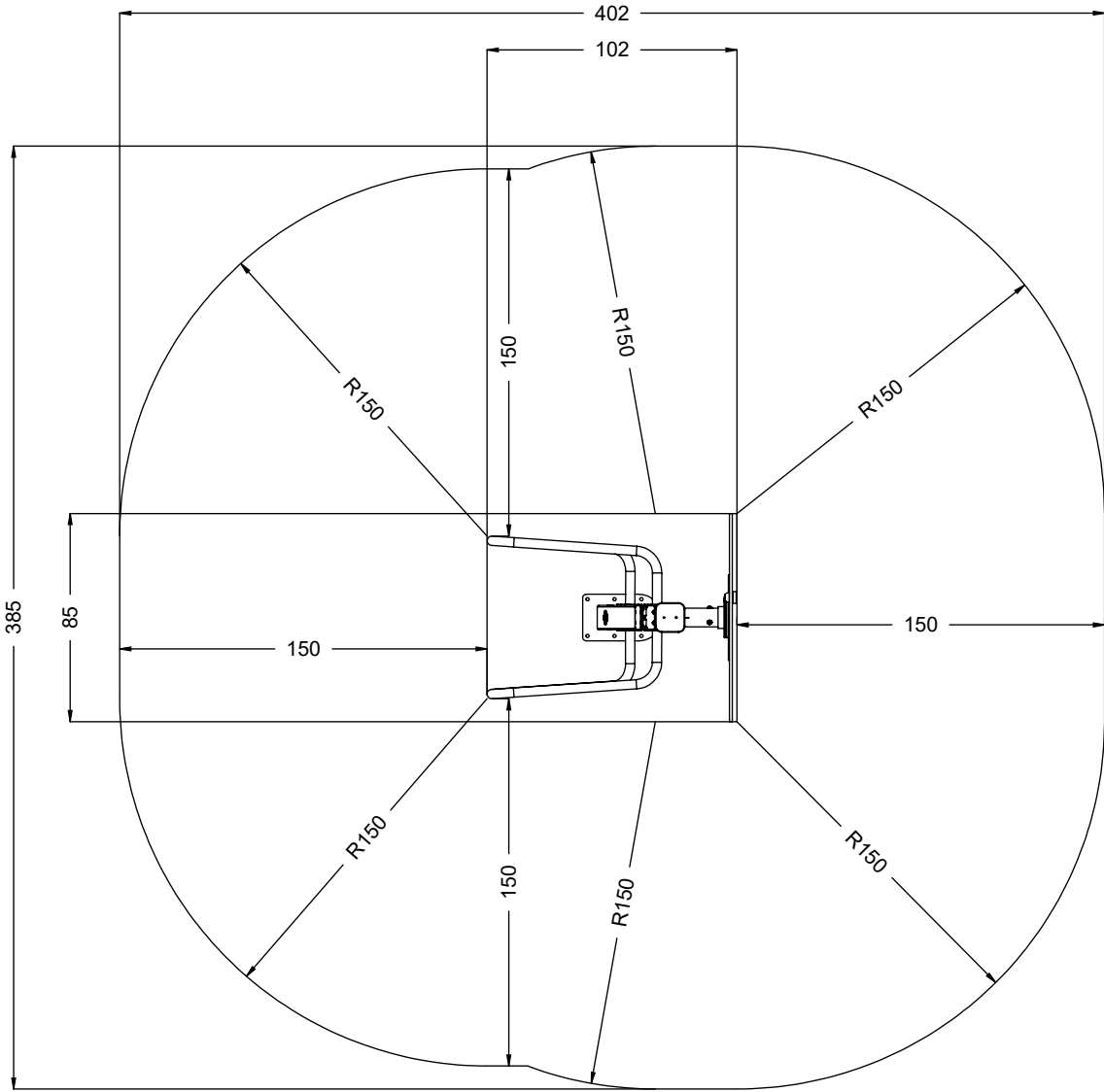
vinci
play



[cm]



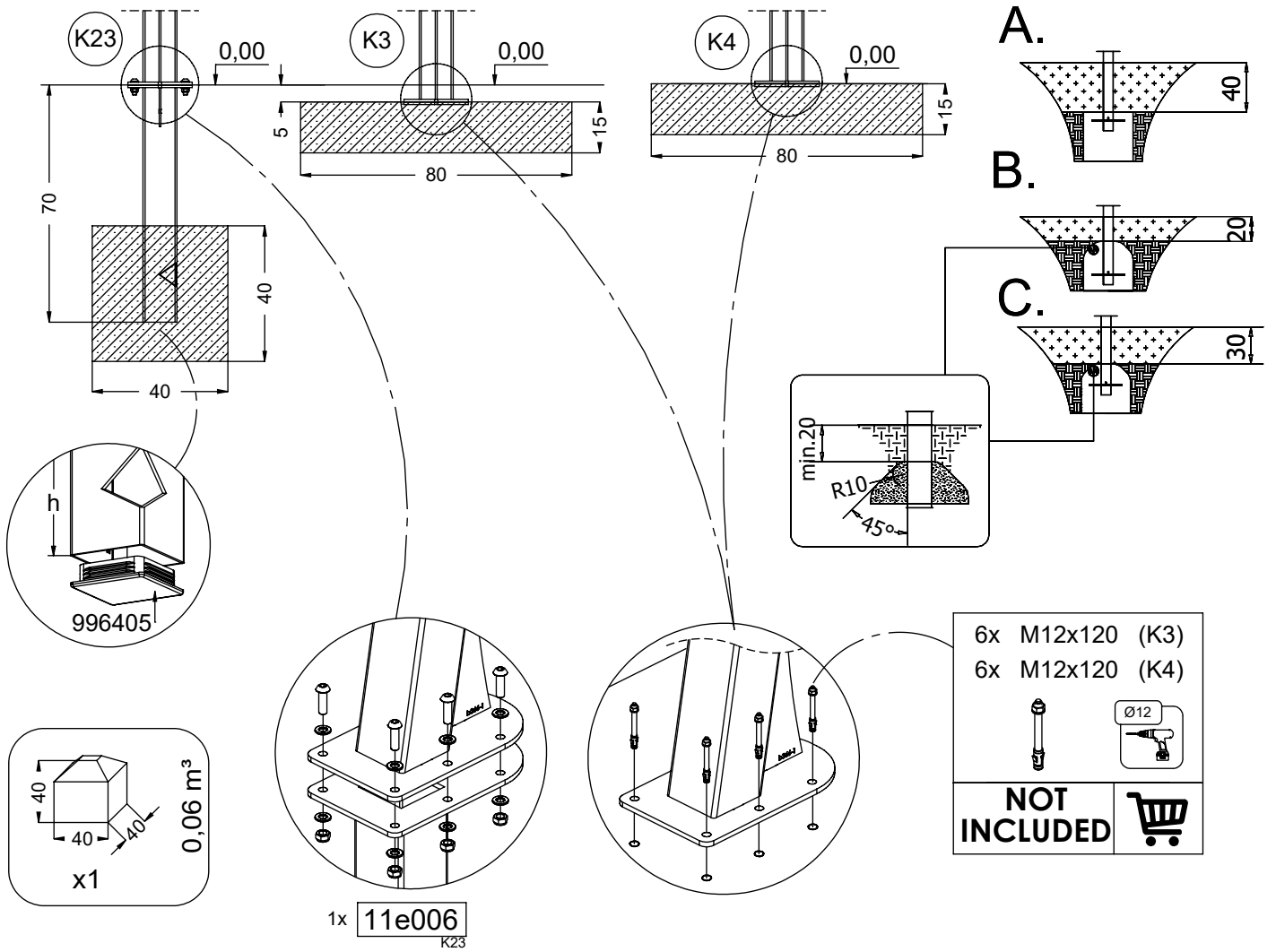
vinci
play



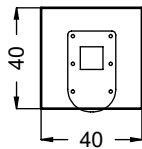
[cm]



vinci
play

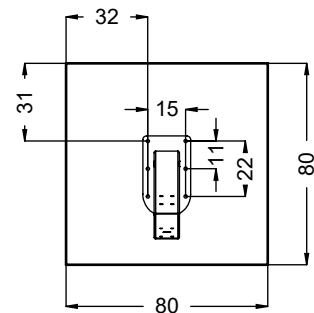


K23



K3

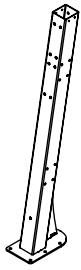
K4



[cm]



vinci
play



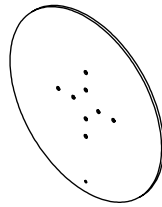
112294
112295 (inox)
x1



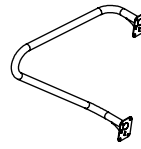
b465
i361 (inox)
x1



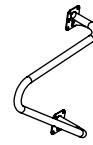
114138
114137 (inox)
x1



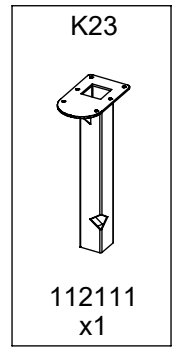
111121
x1



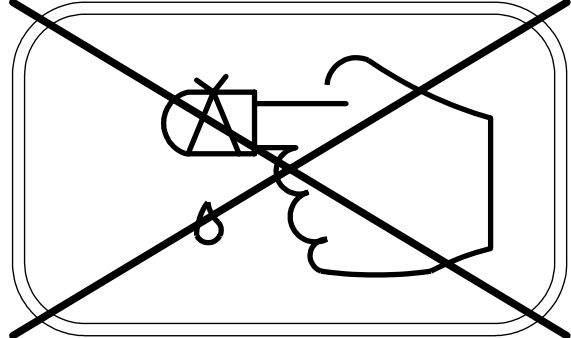
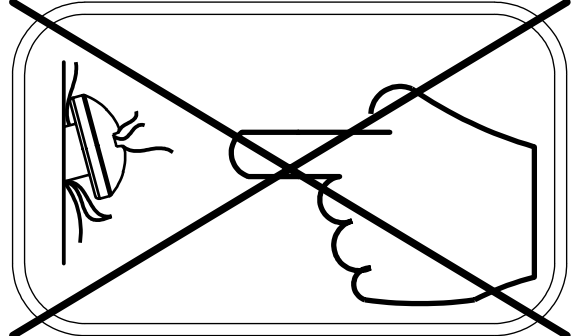
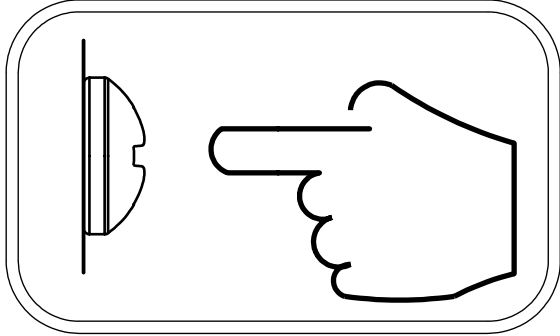
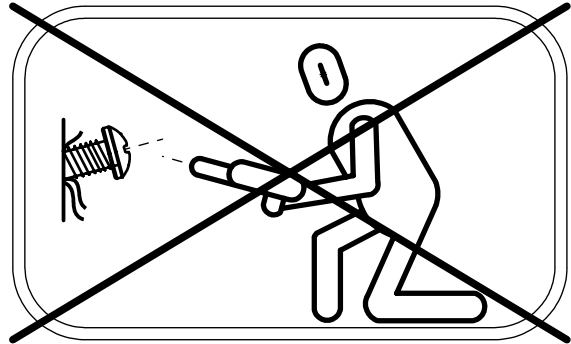
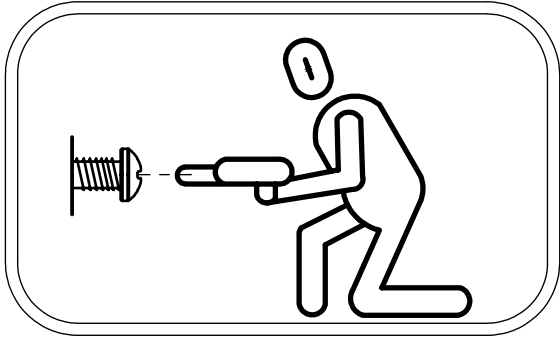
112175
112177 (inox)
x1

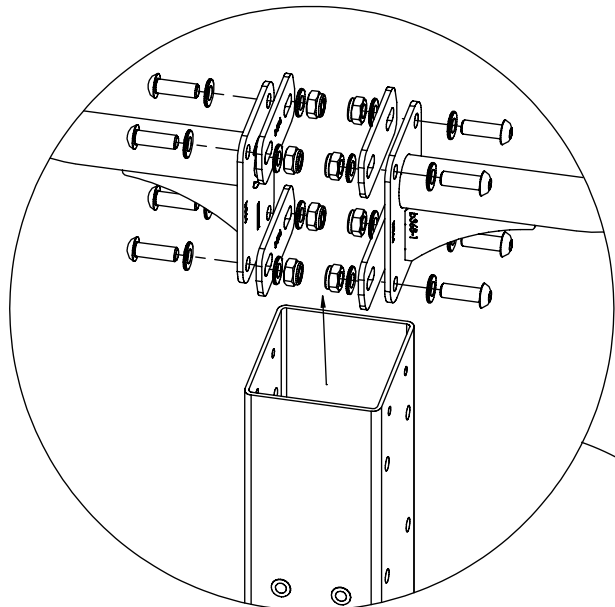


112176
112178 (inox)
x1

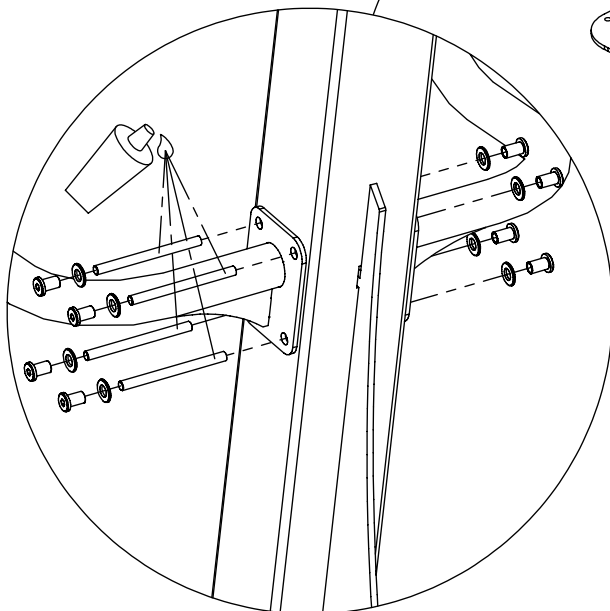
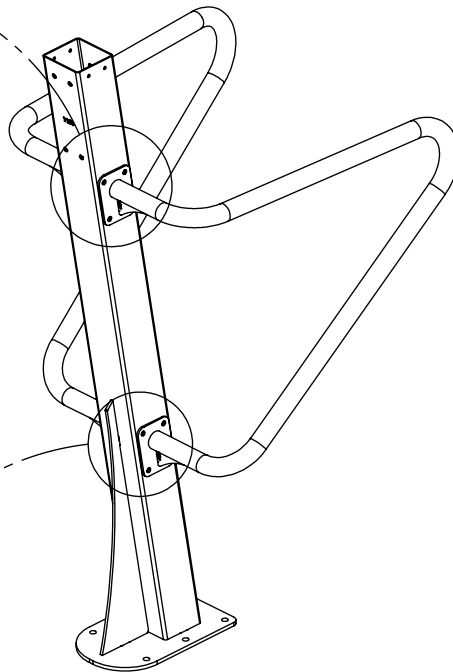


ST/INOX	
1x	11e006 (K23)
1x	23e001
2x	11e003
3x	11e004
1x	11e005
1x	11e012
1x	116117
1x	116110
1x	11e021
1x	11e022
1x	996405 (K23)
1x	V003





2x 11e004

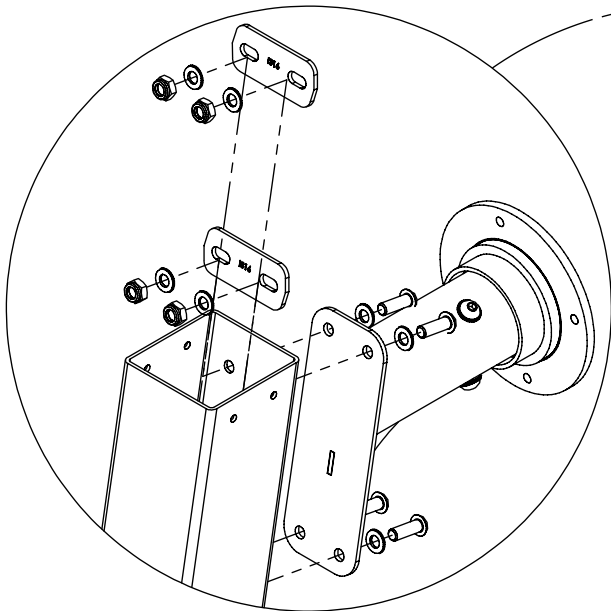


1x 11e005

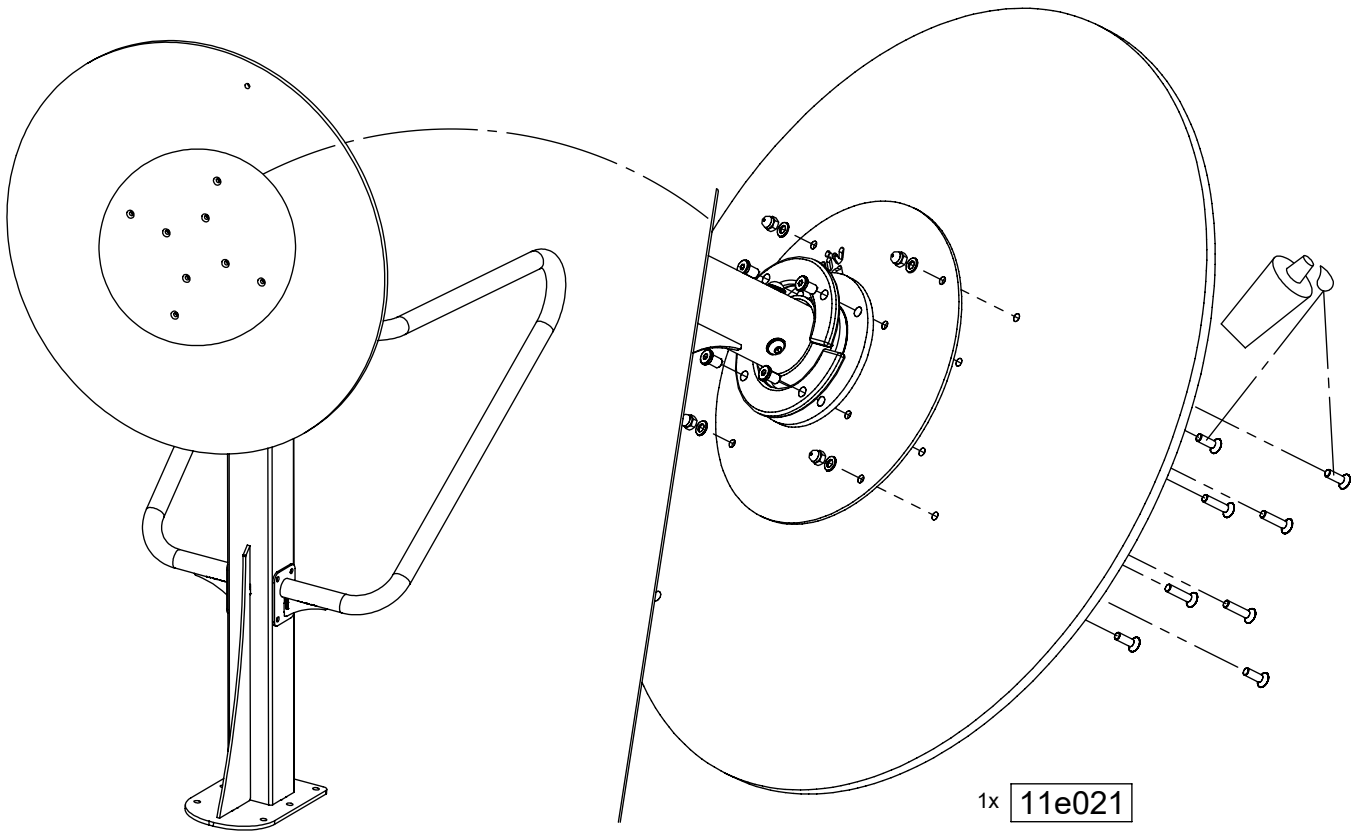
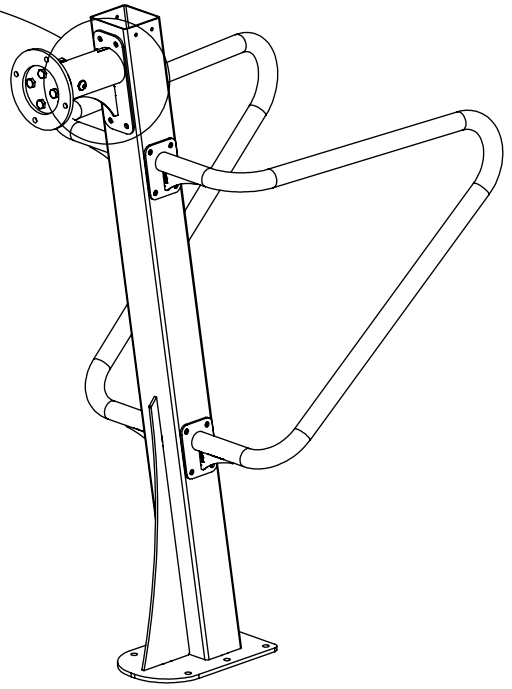
[cm]



vinci
play



1x 11e004

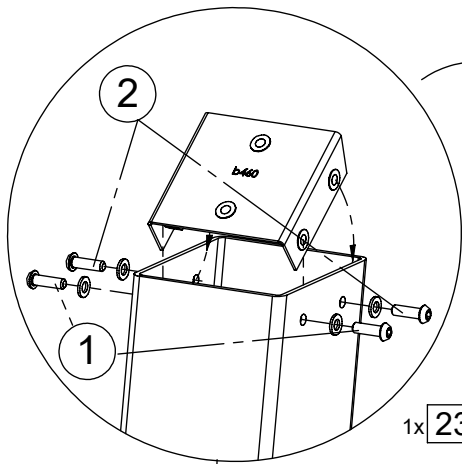


1x 11e021

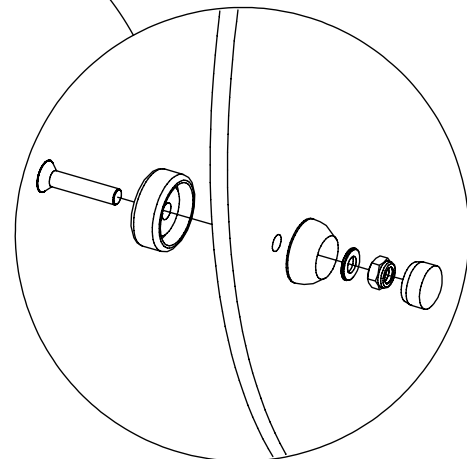
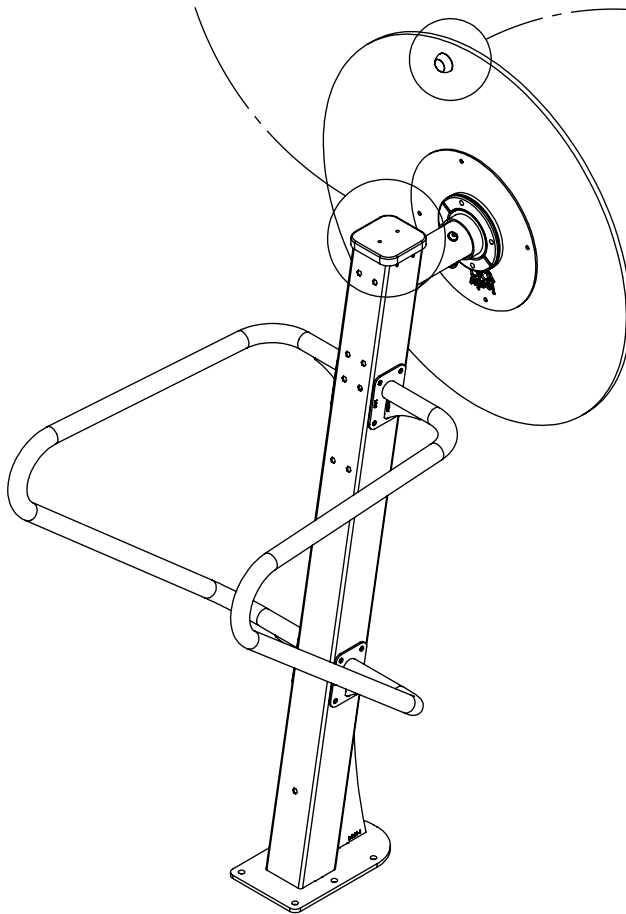
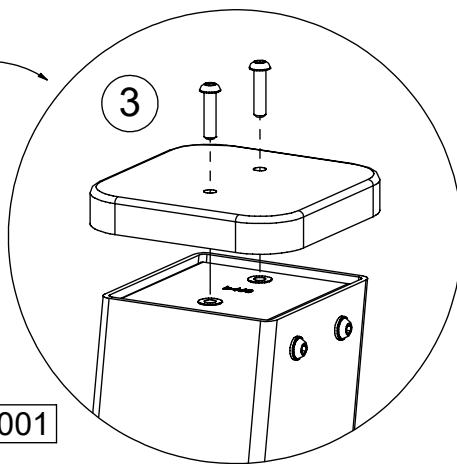
[cm]



vinci
play

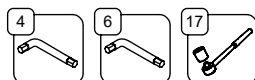


1x 23e001

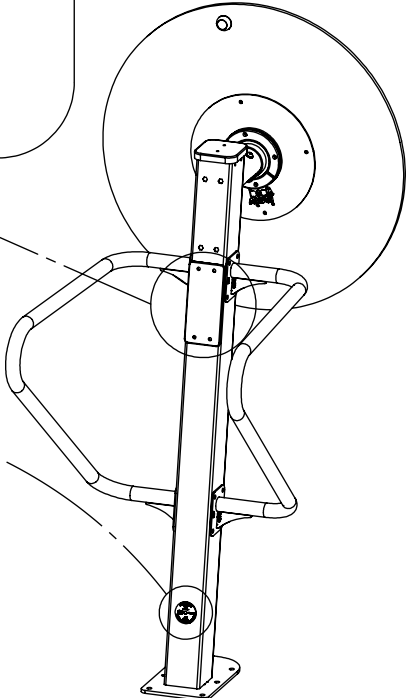
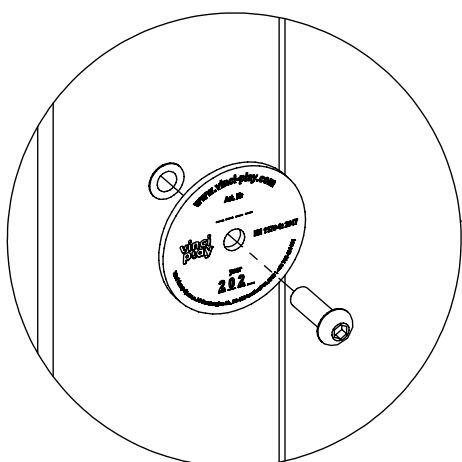
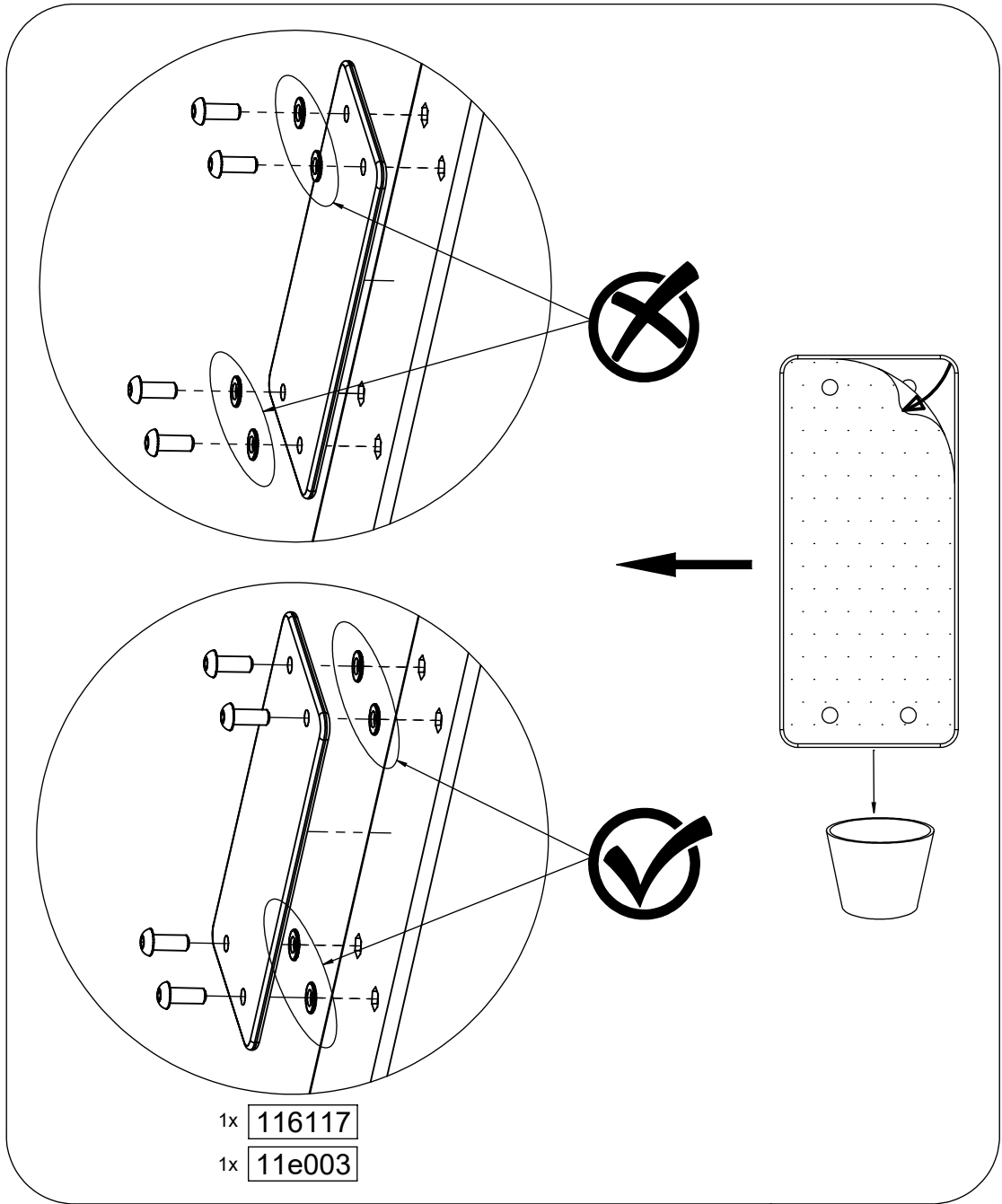


1x 11e022

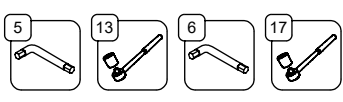
[cm]



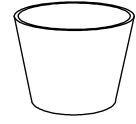
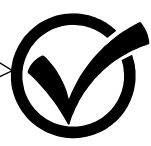
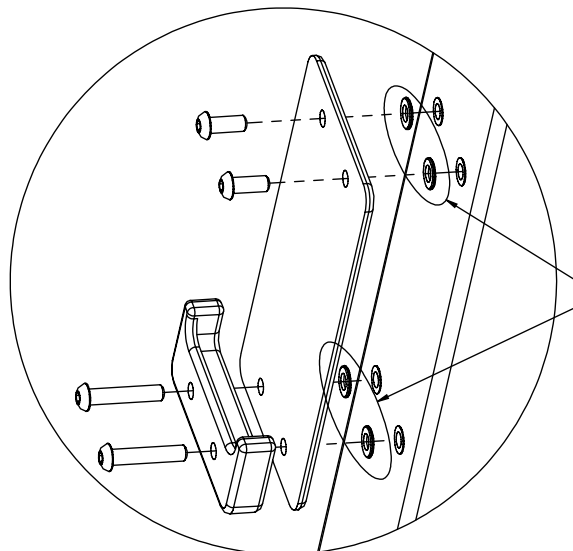
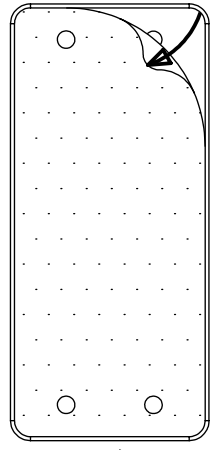
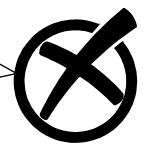
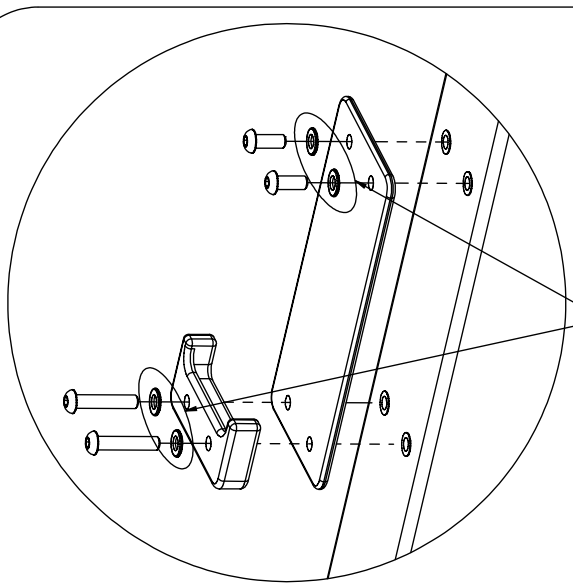
vinci
play



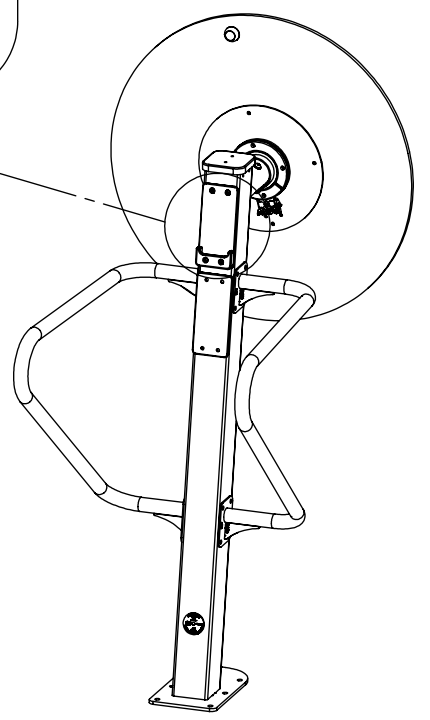
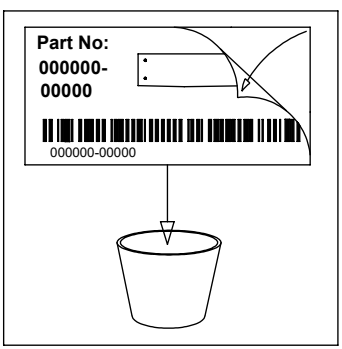
[cm]



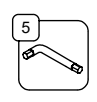
vinci
play



- 1x 116110
- 1x 11e002



[cm]



vinci play