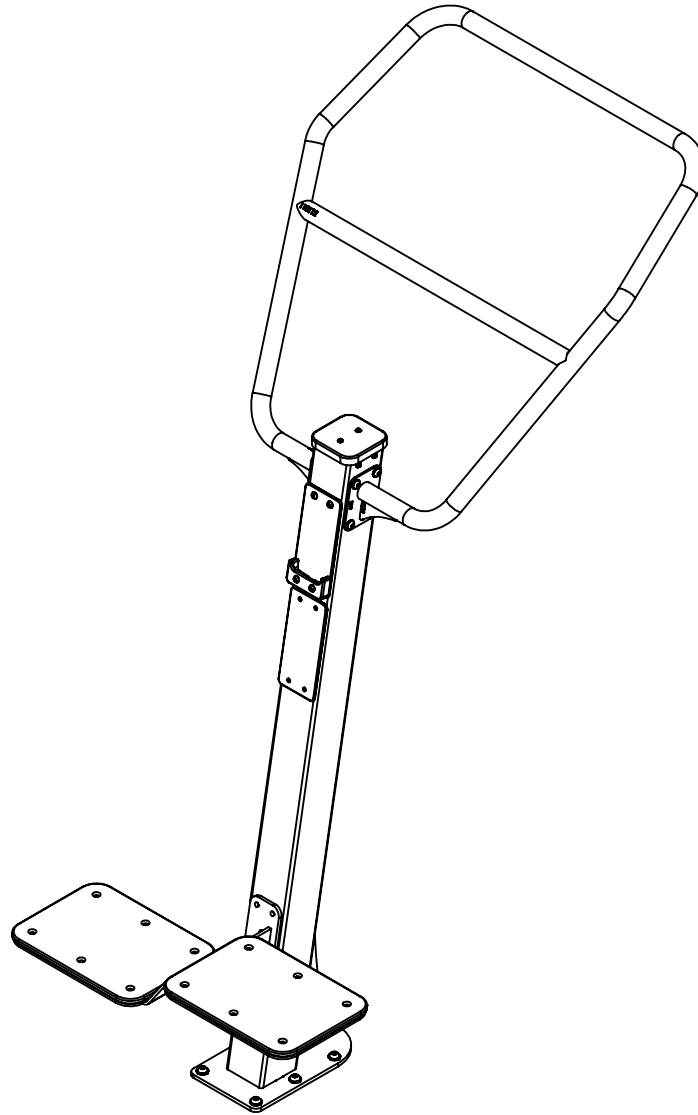
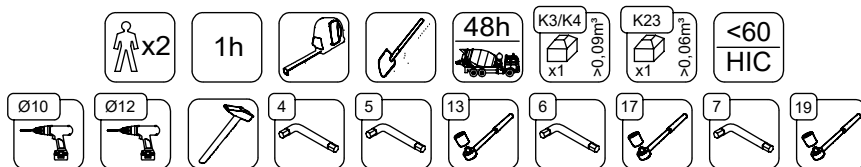


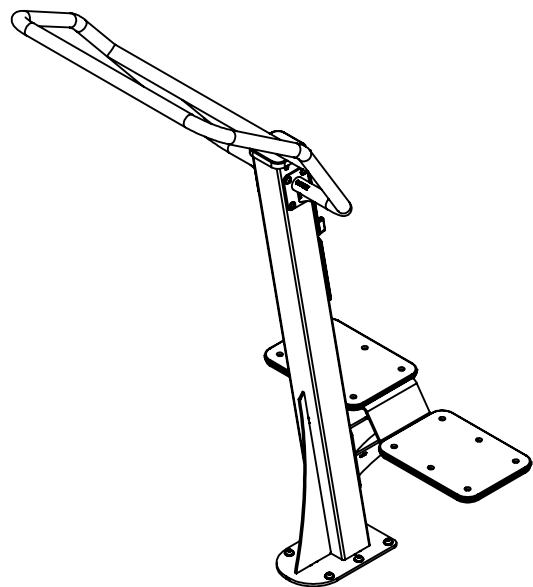
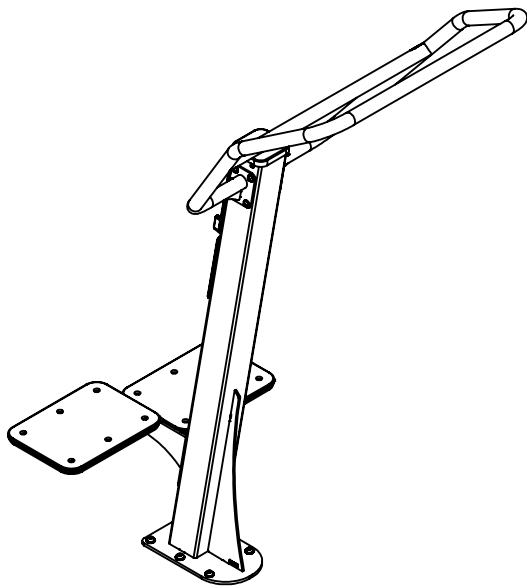
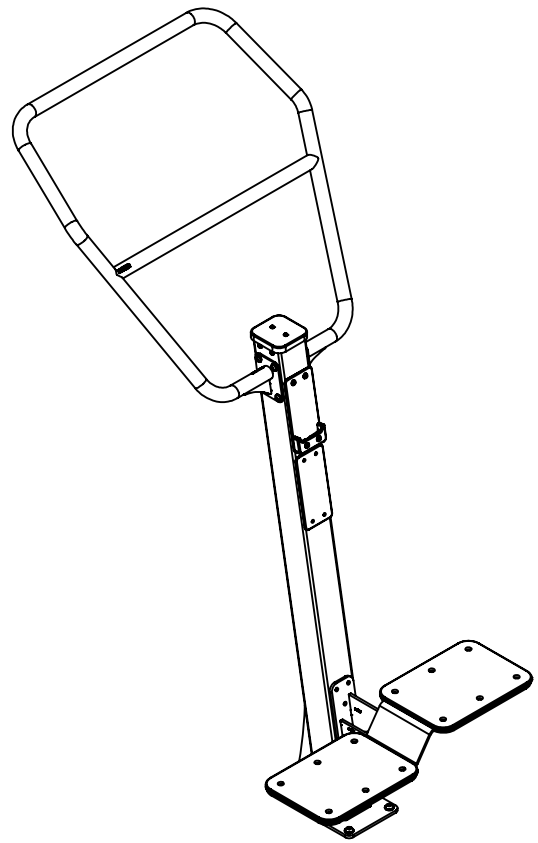
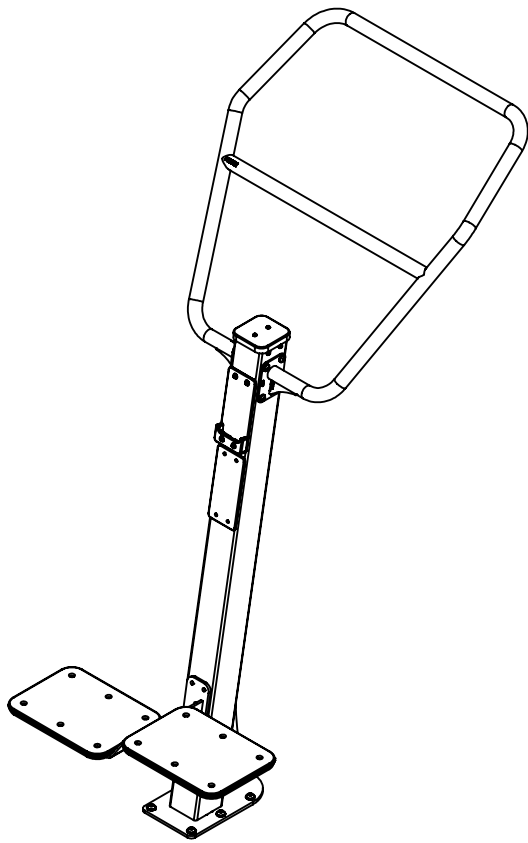
# 1154



v011  
20.06.2023  
K. M.  
[cm]

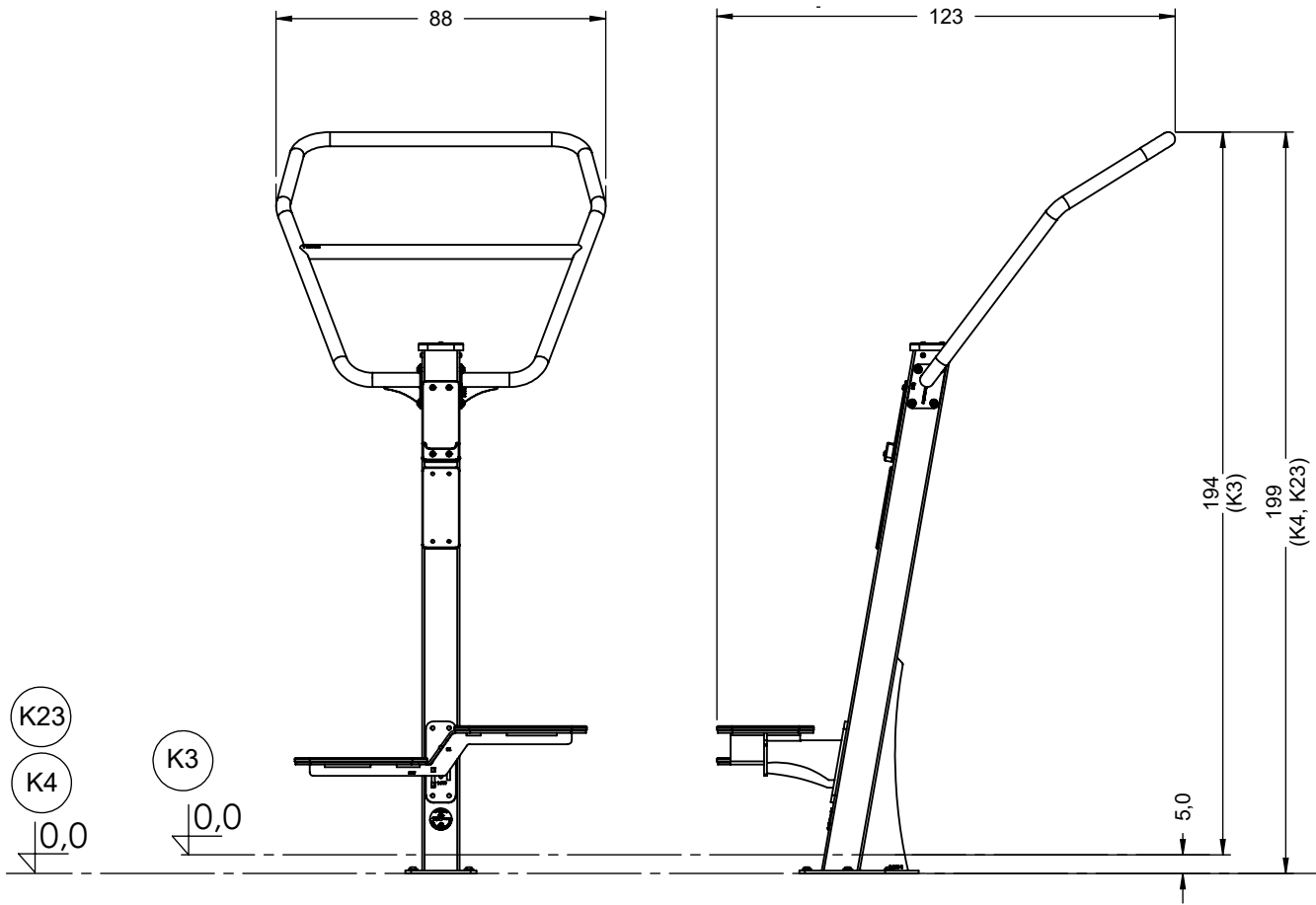


vinci  
play



[cm]

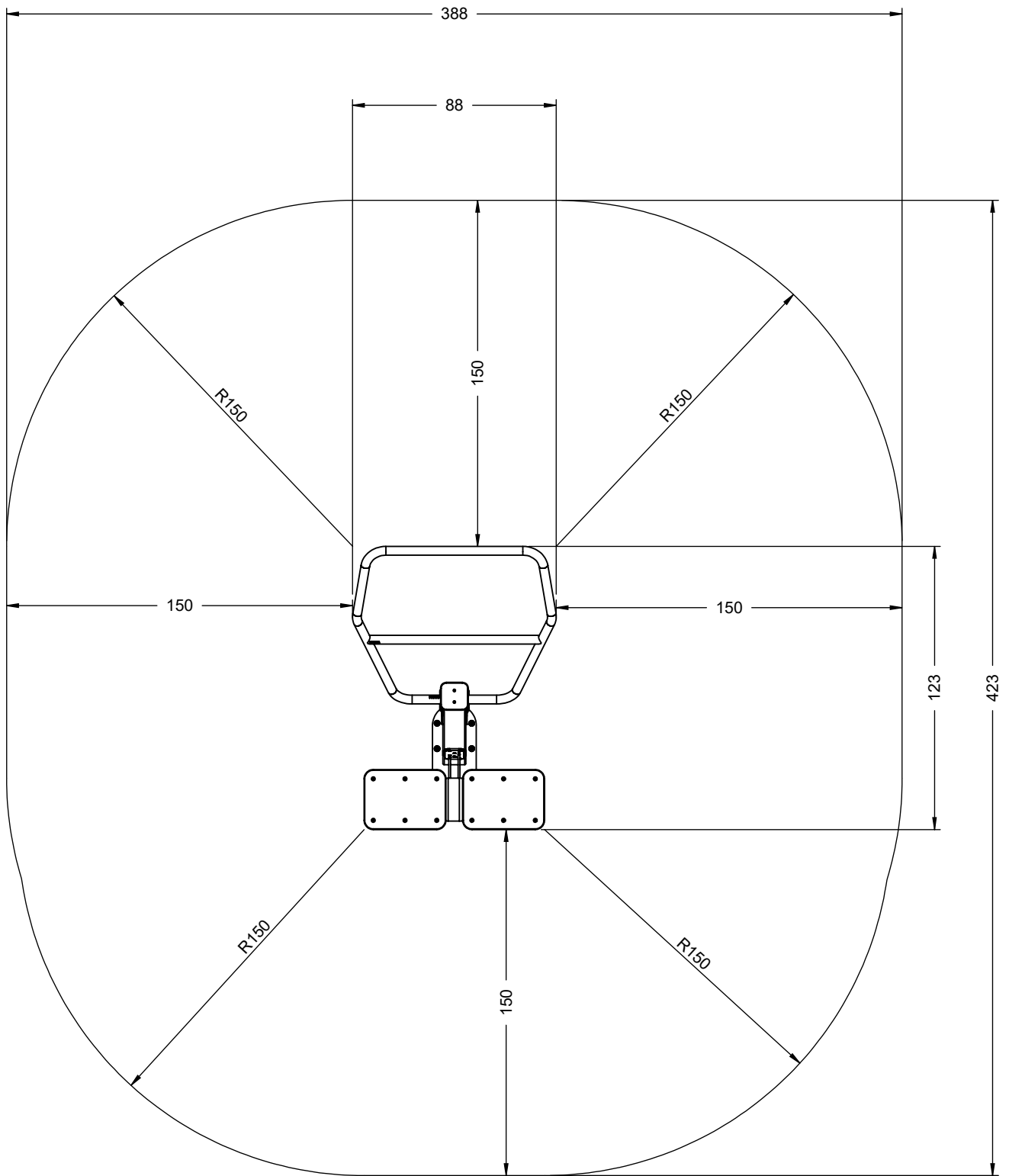
vinci  
play



[cm]

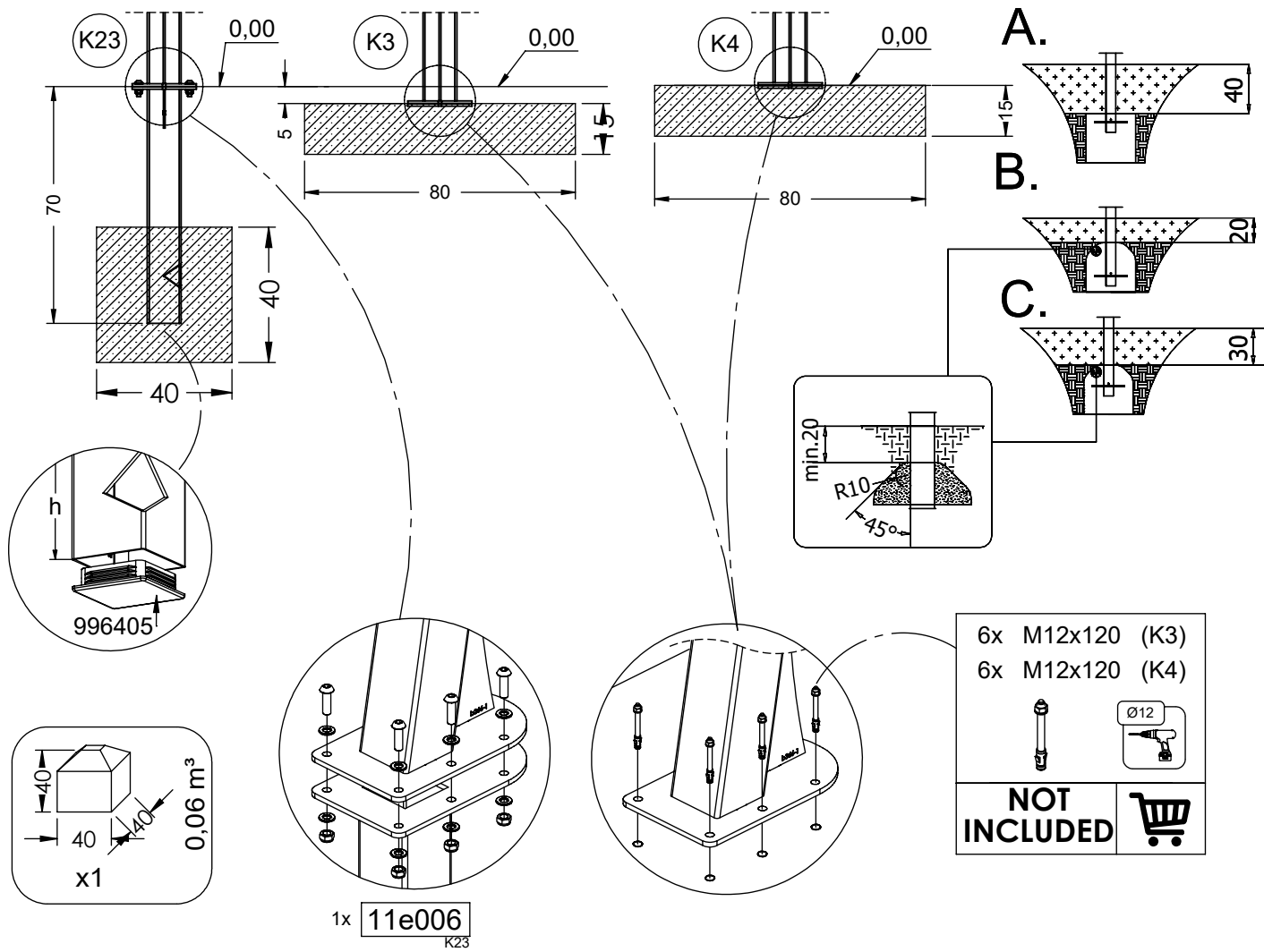


vinci  
play



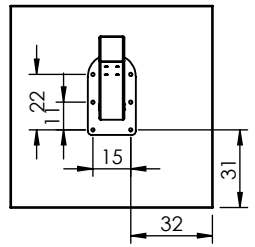
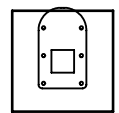
[cm]

vinci  
play



K23

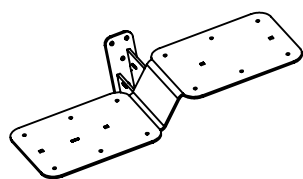
K3 K4



[cm]

x2   
 1h   
   
   
 48h   
 K3/K4 x1 >0,09m³   
 K23 x1 >0,06m³

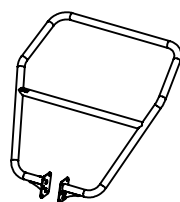
vinci play



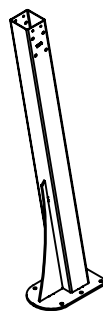
112147  
112270 (inox)  
x1



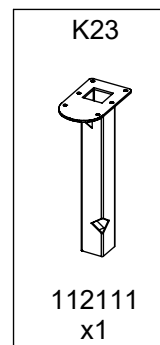
111124  
x2



112114  
112160 (inox)  
x1

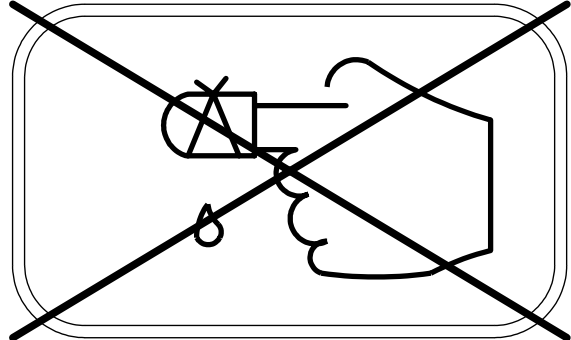
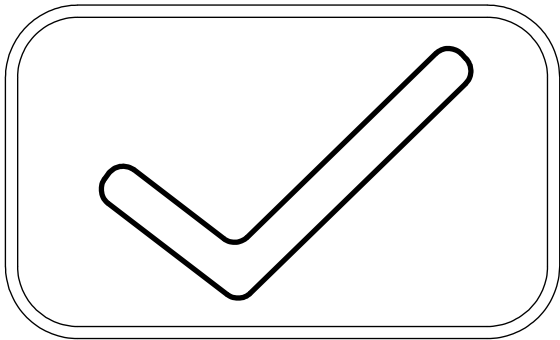
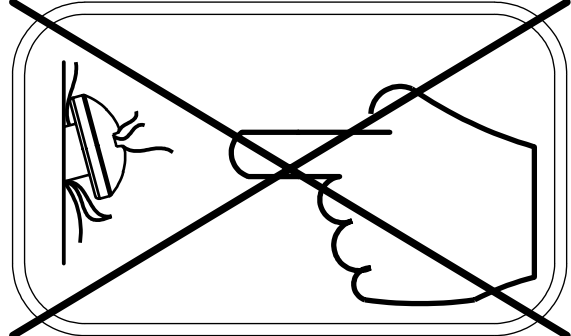
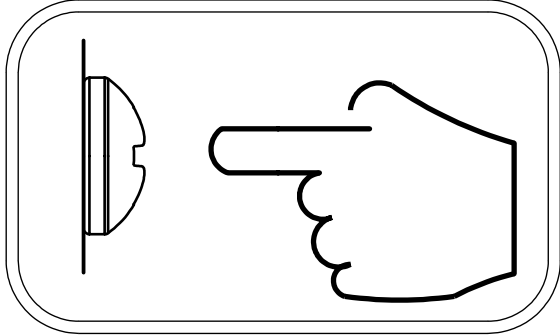
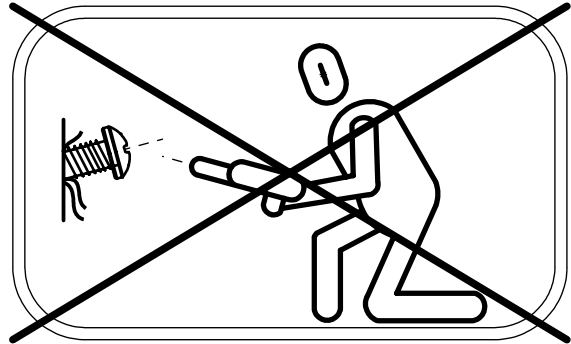
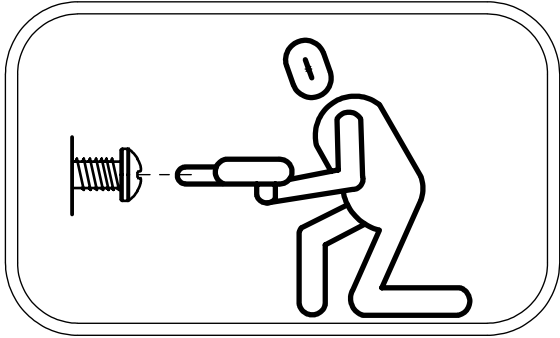


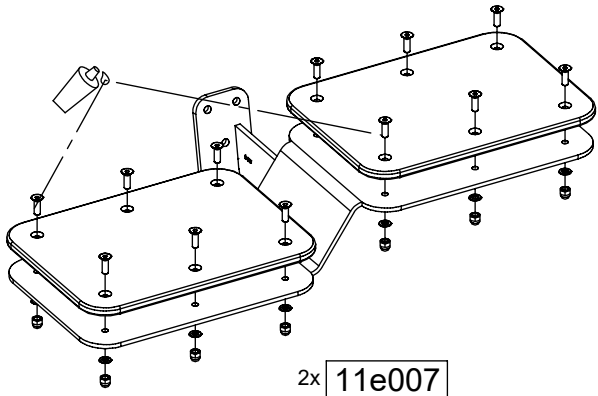
112235  
112236 (inox)  
x1



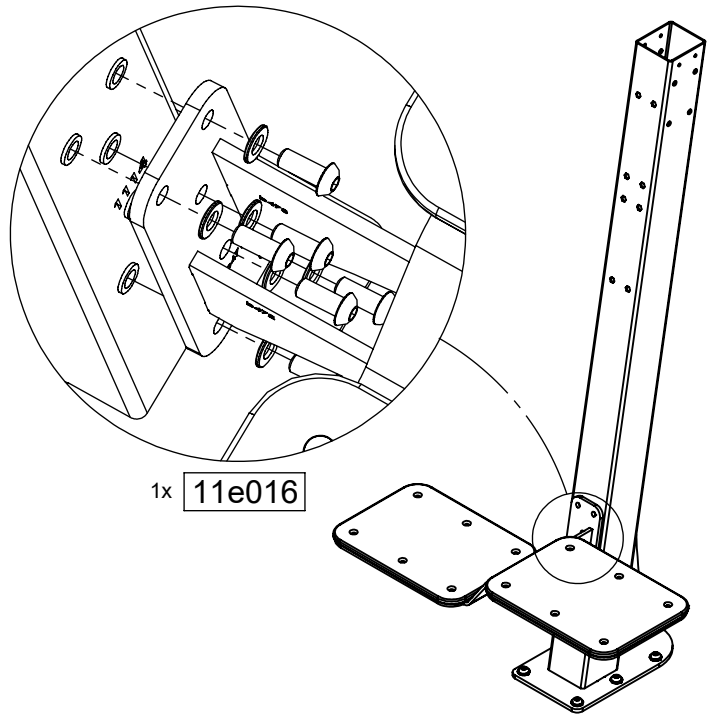
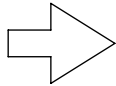
K23  
112111  
x1

ST/INOX	
1x	11e006 (K23)
1x	996405 (K23)
1x	23e001
1x	11e002
1x	11e003
2x	11e004
2x	11e007
1x	11e016
1x	116101
1x	116114
1x	V003

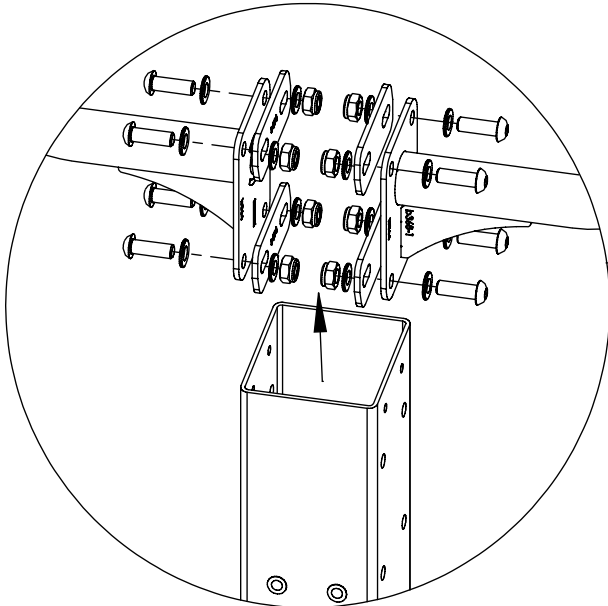




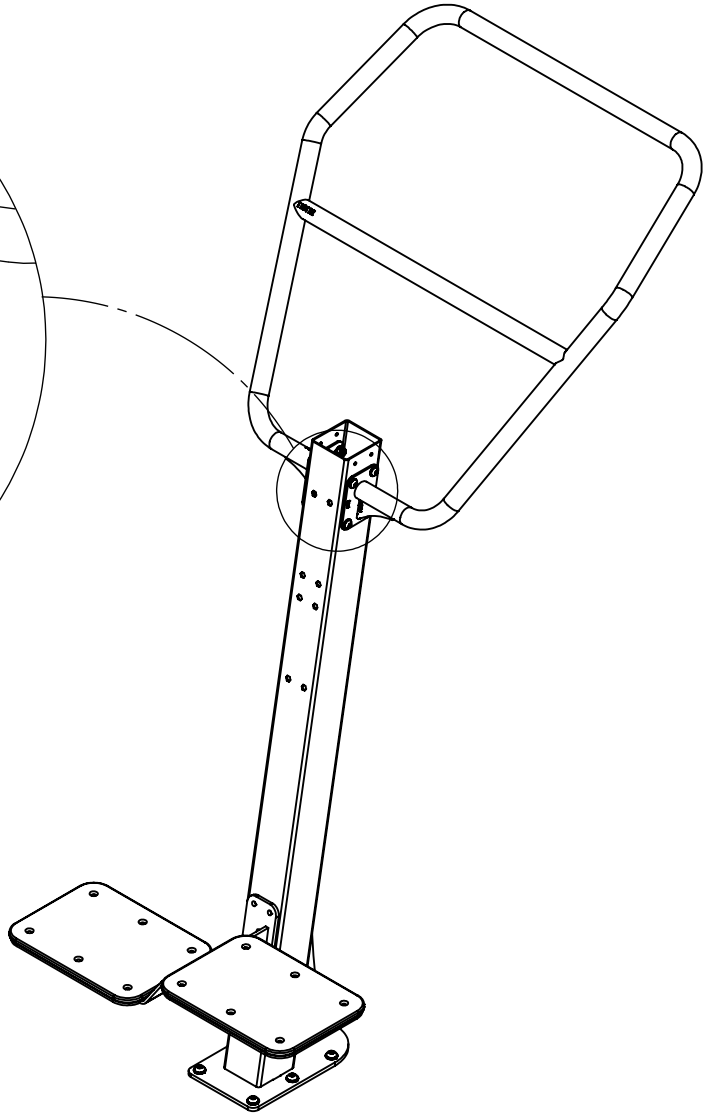
2x 11e007



1x 11e016



2x 11e004

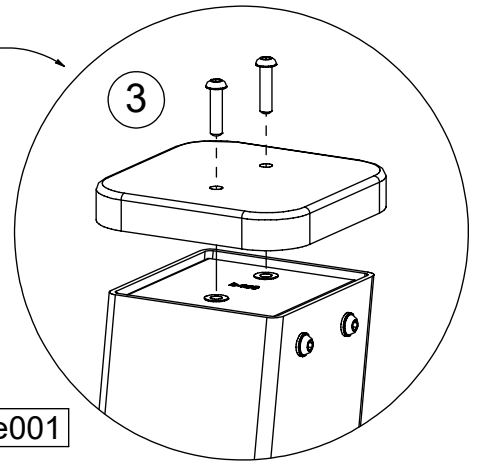
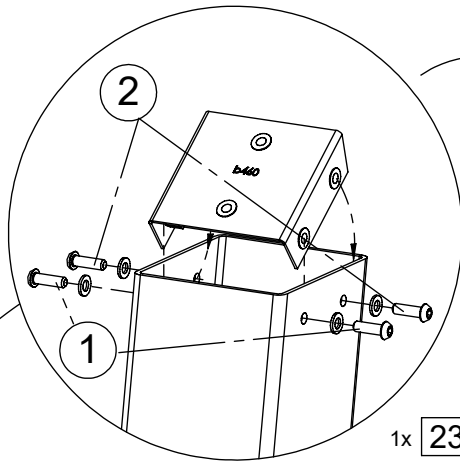


[cm]

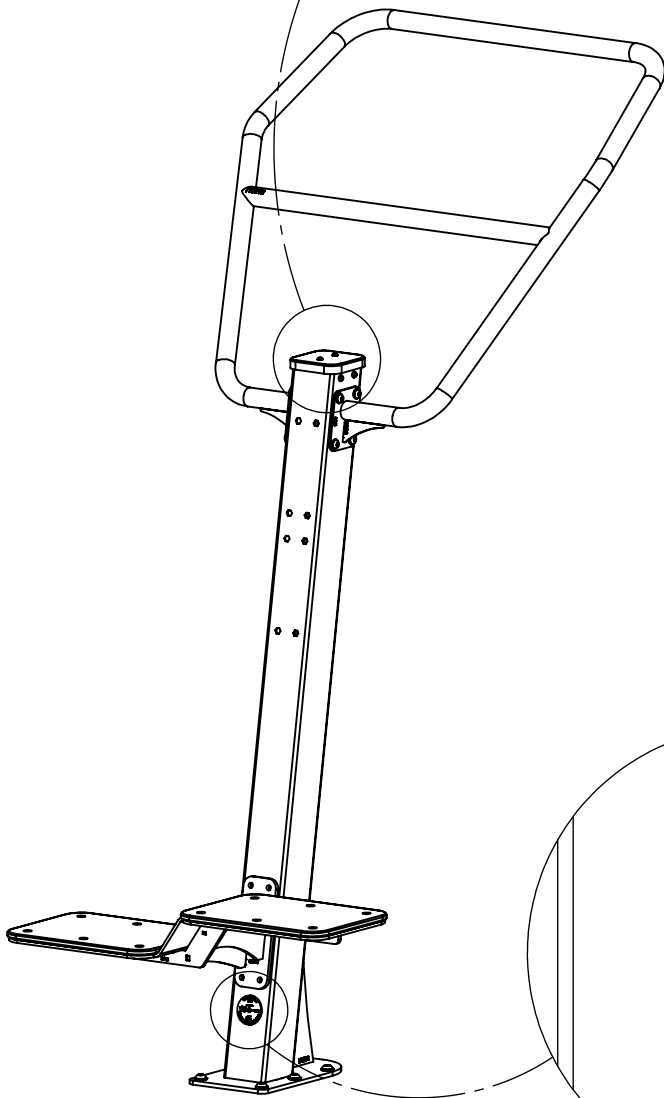


vinci  
play



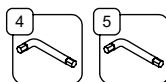


1x 23e001

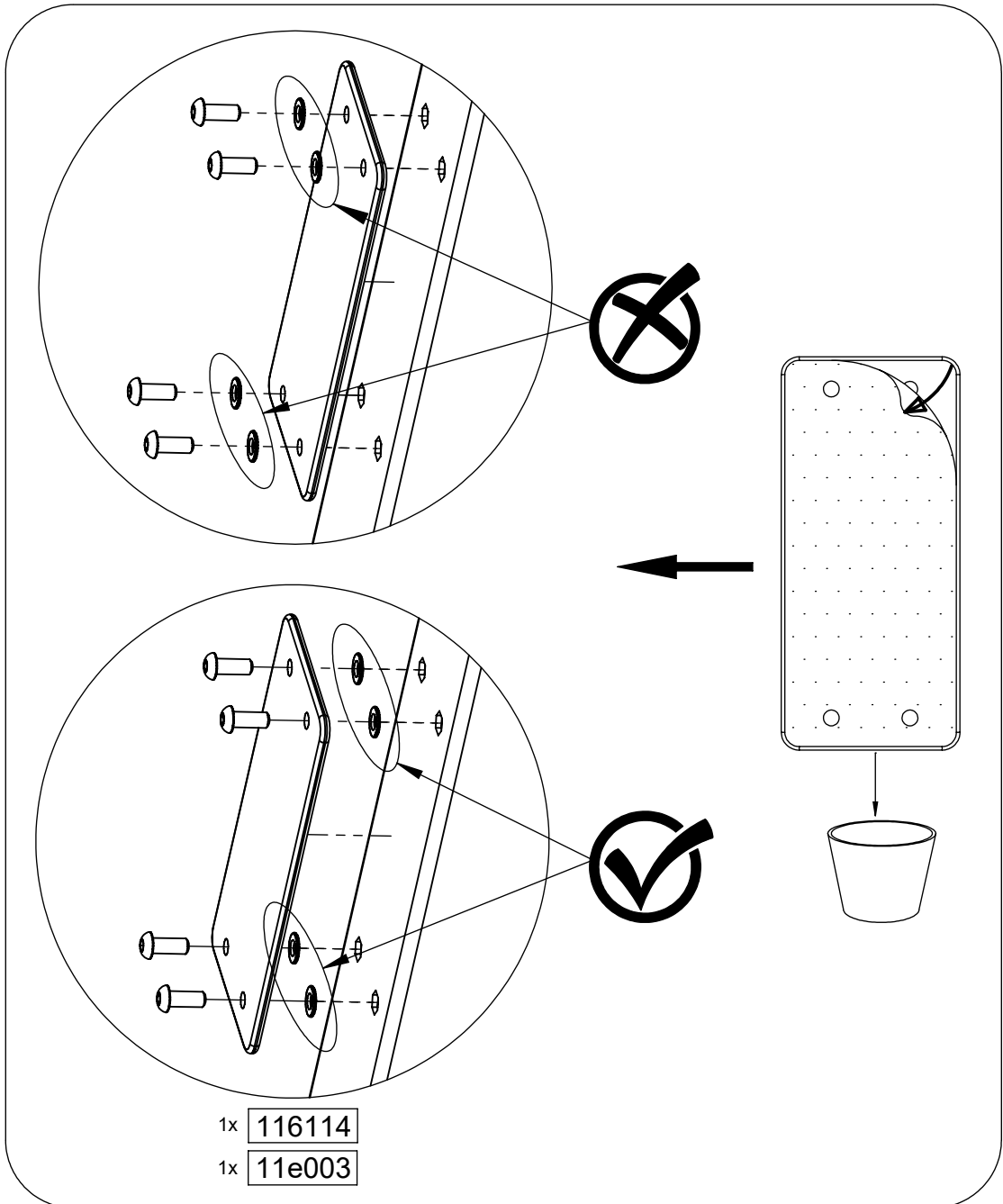


1x V003

[cm]

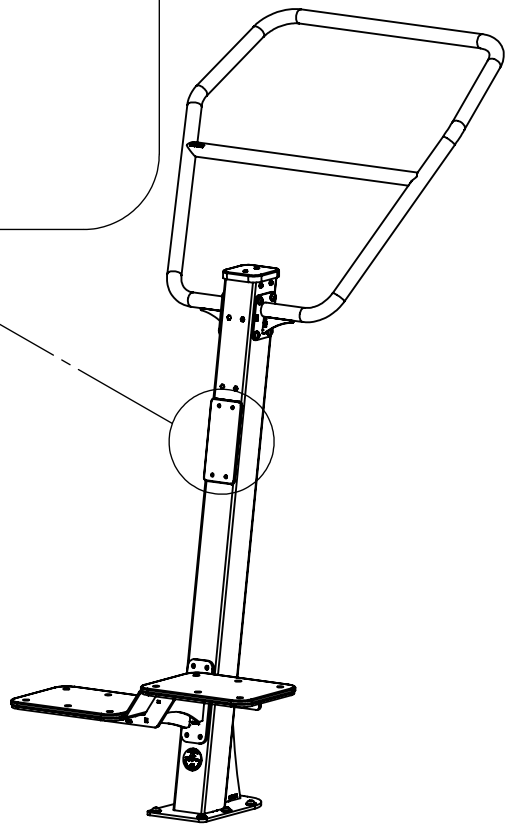


vinci  
play



1x 116114

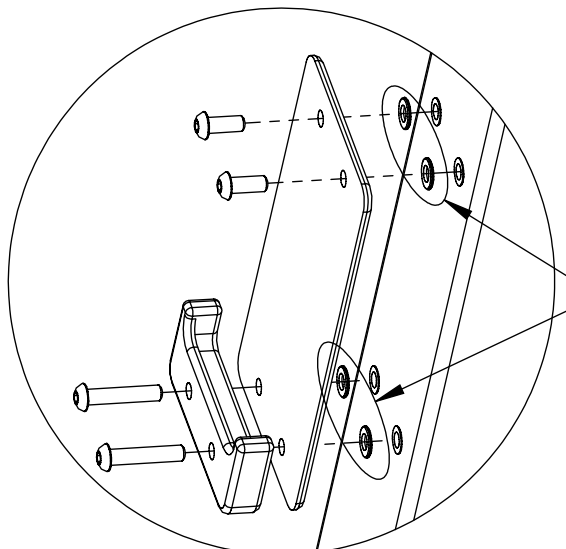
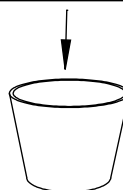
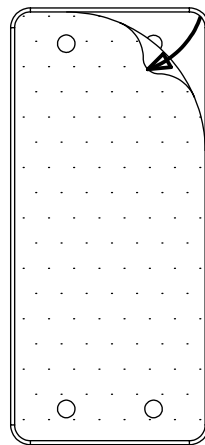
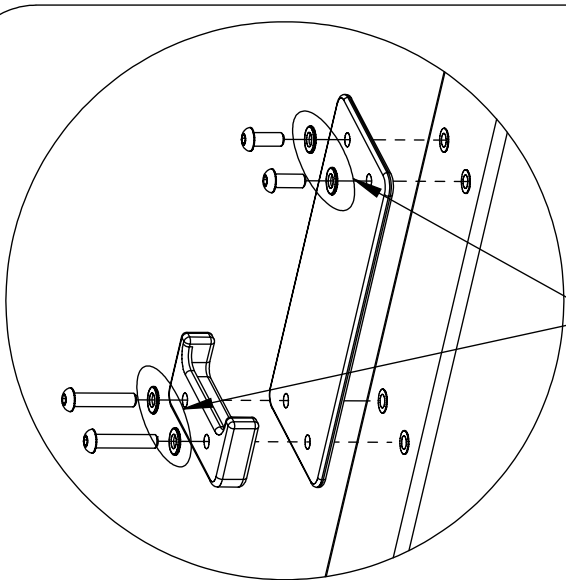
1x 11e003



[cm]

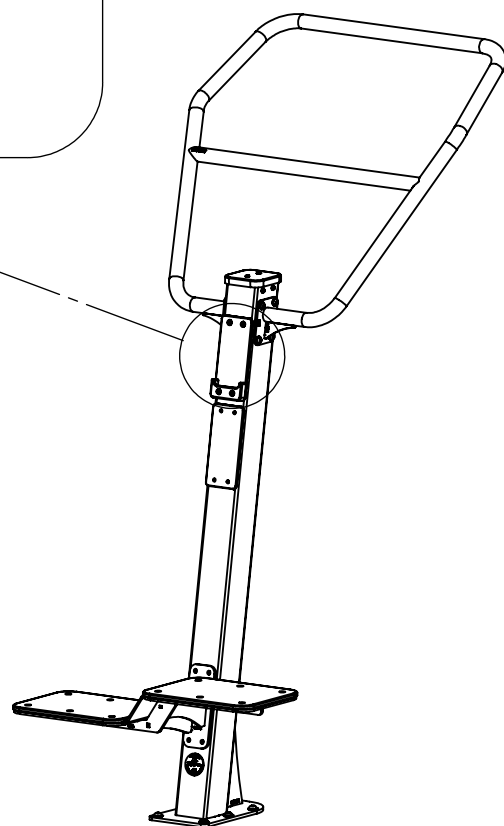
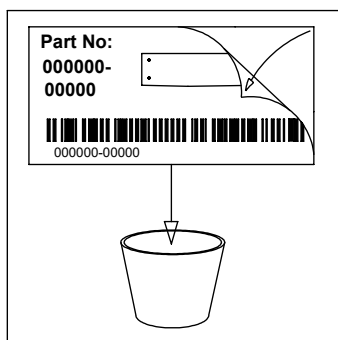


vinci  
play



1x 116101

1x 11e002



[cm]



vinci  
play