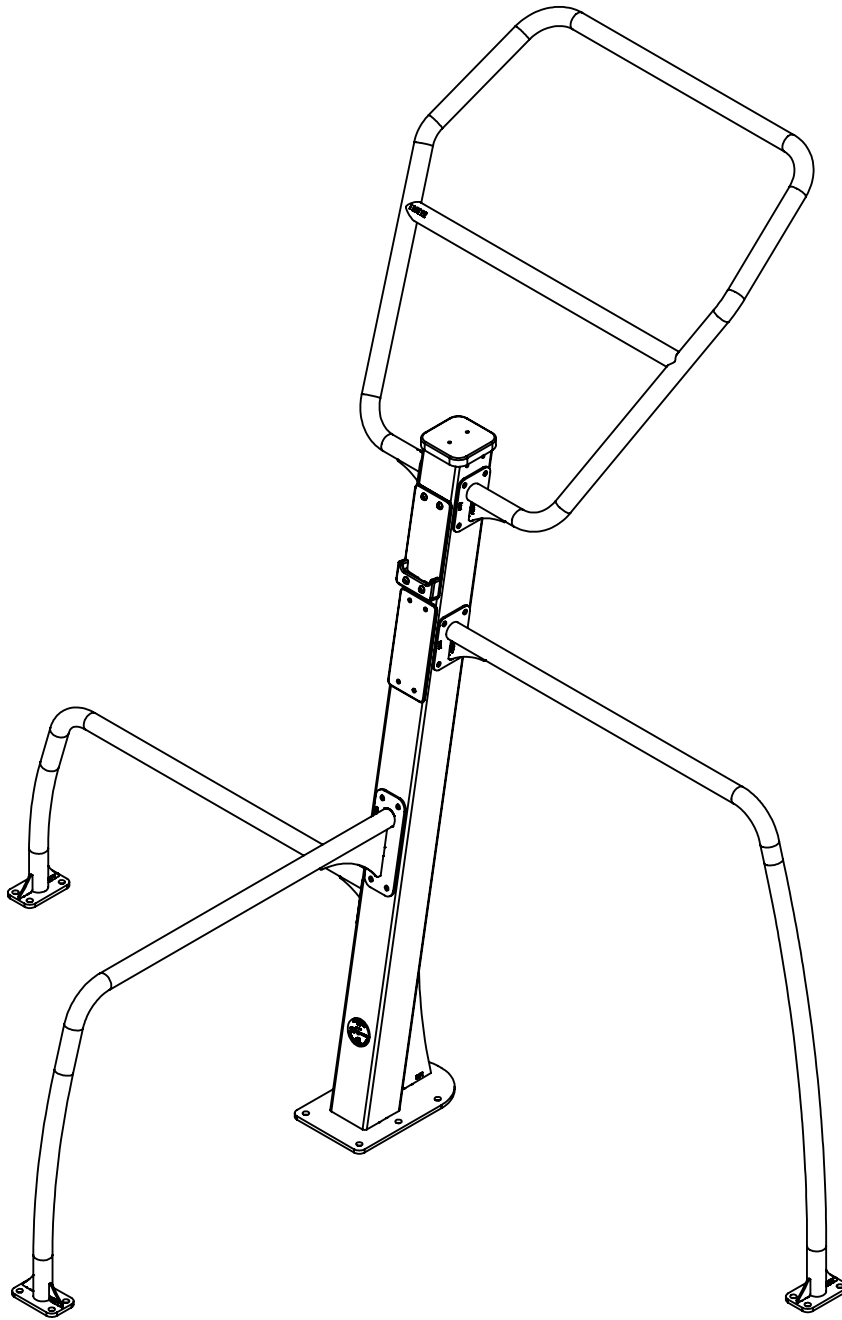
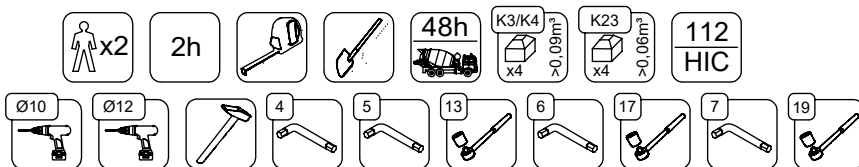


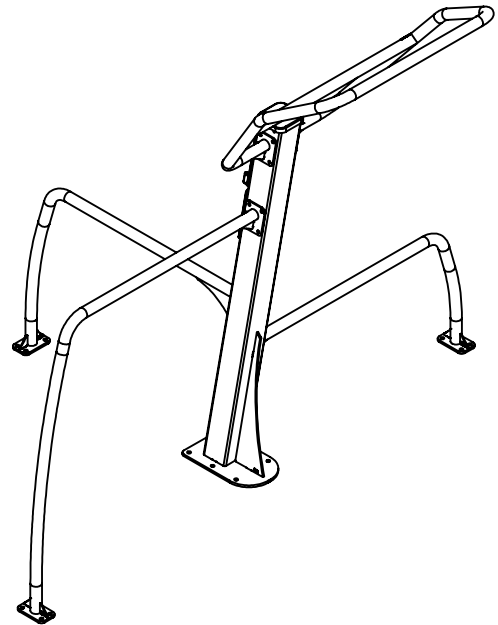
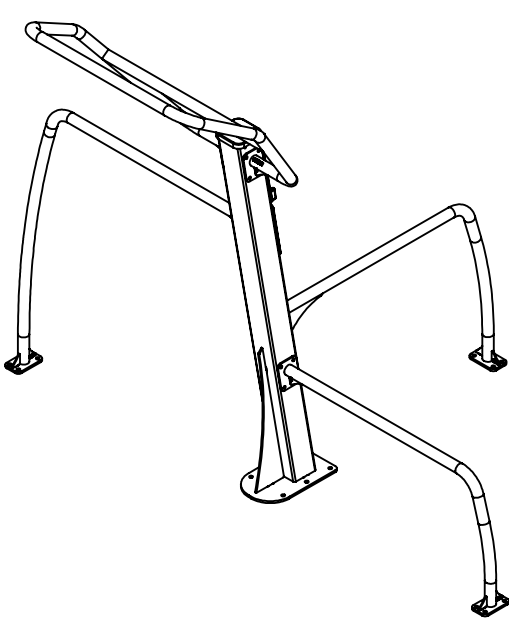
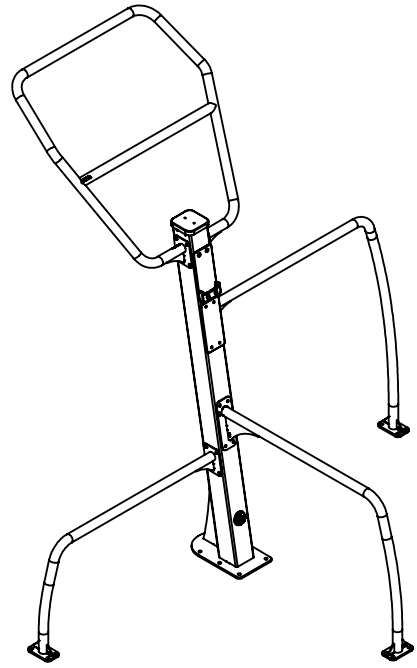
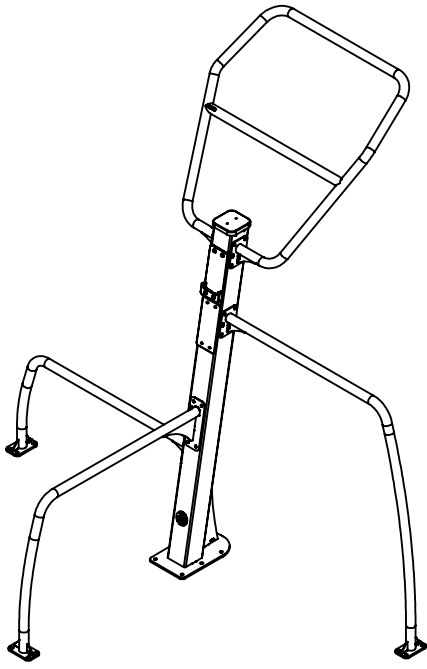
1153



v011
20.06.2023
K. M.
[cm]

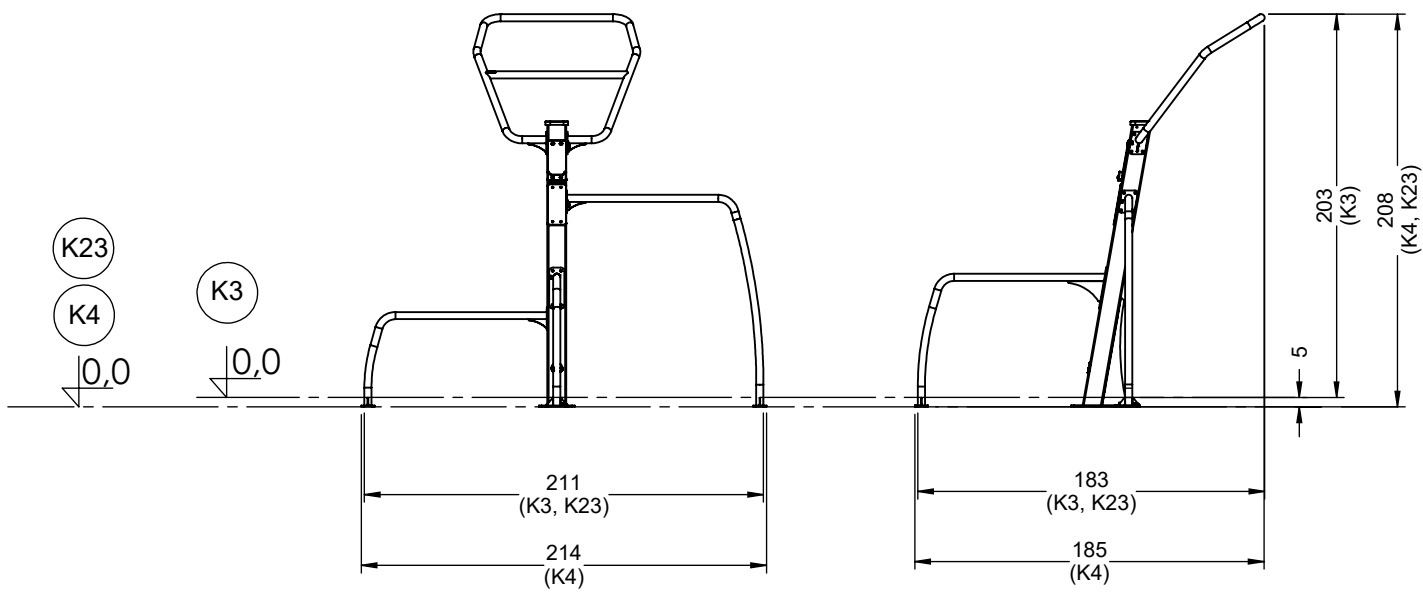


vinci
play



[cm]

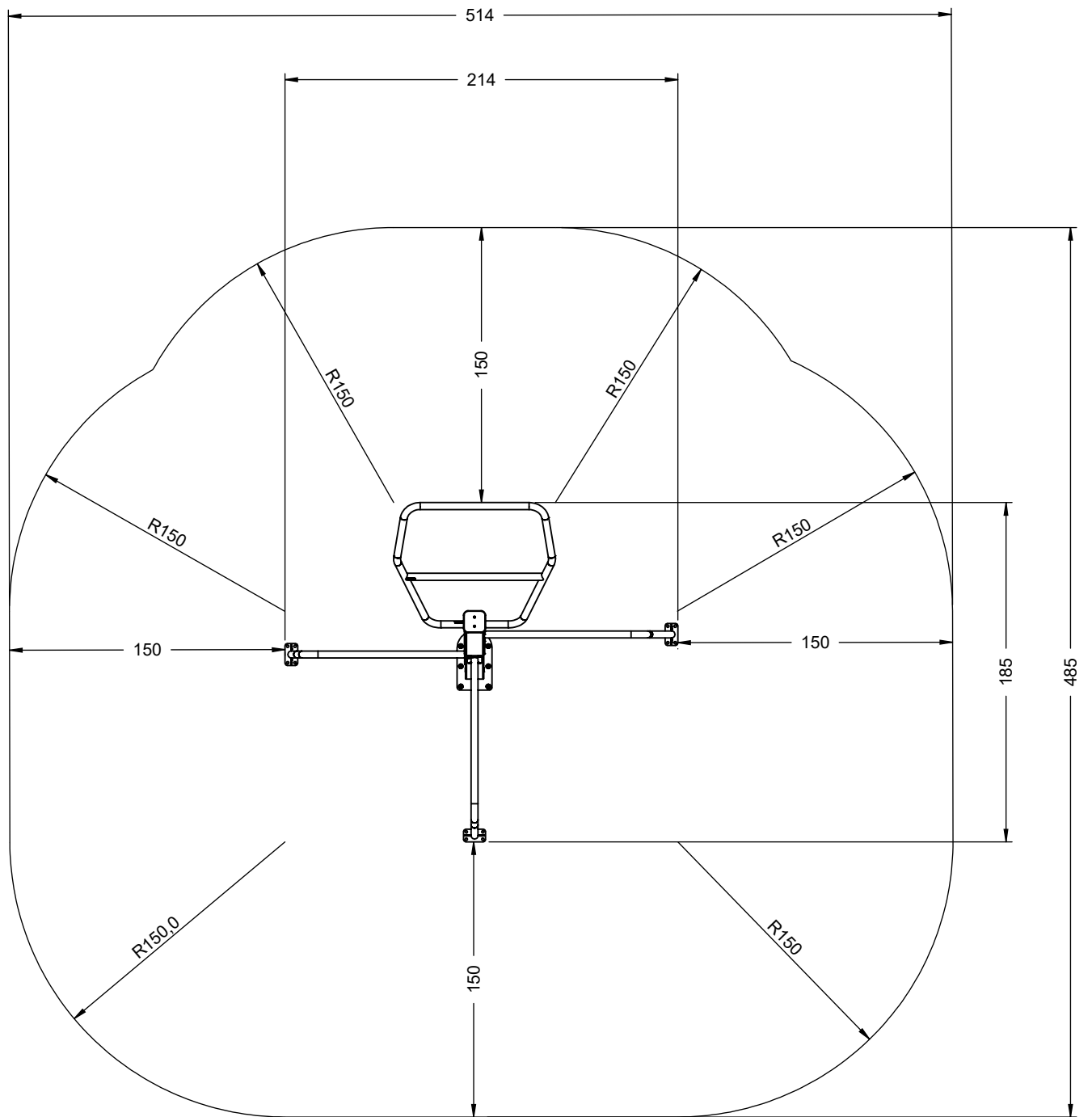
vinci
play



[cm]

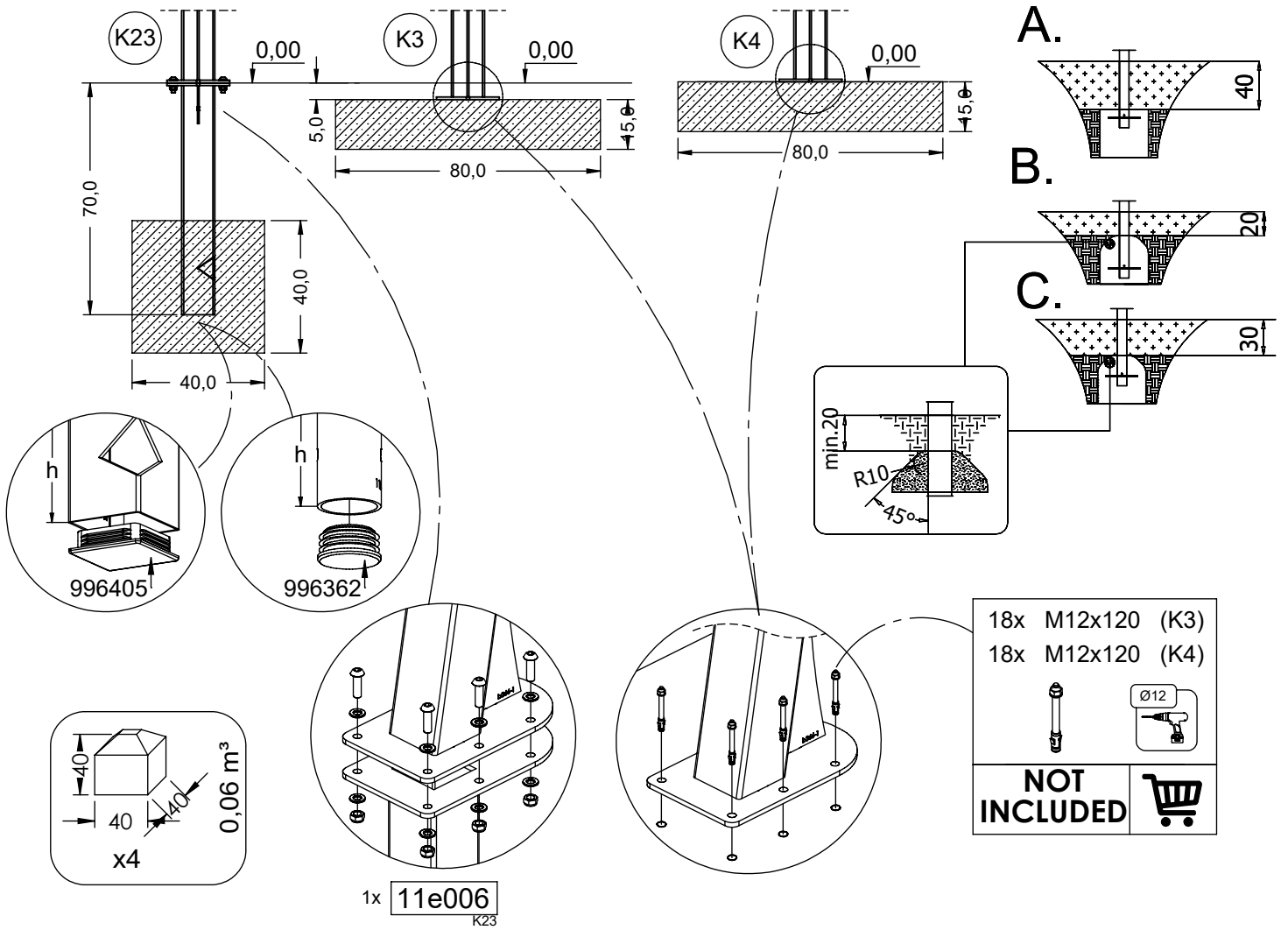


vinci
play

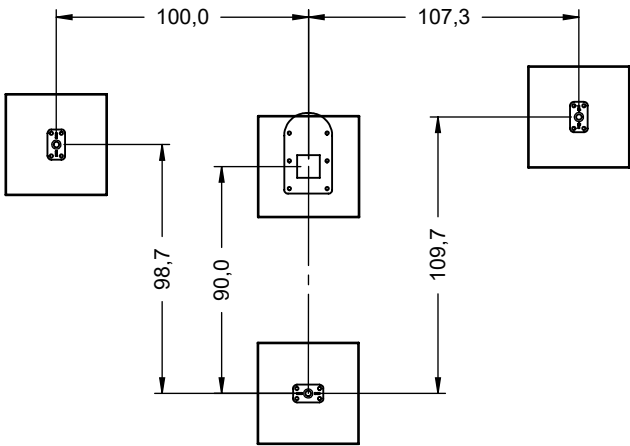


[cm]

vinci
play

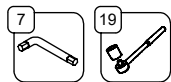
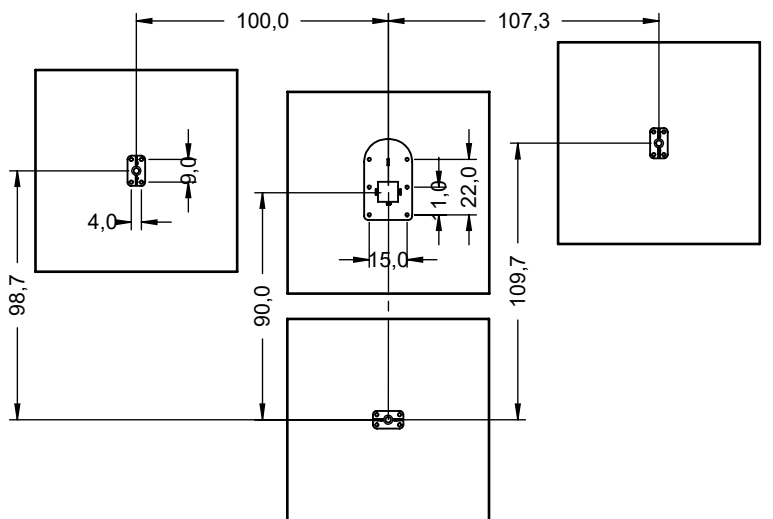


K23



K3

K4



2h



48h



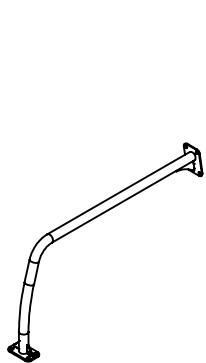
K3/K4
x4 >0,09m³



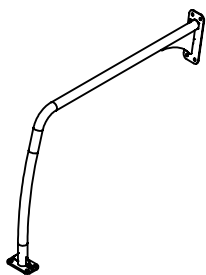
K23
x4 >0,06m³

[cm]

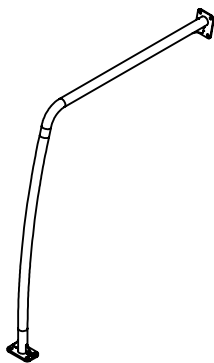
vinci play



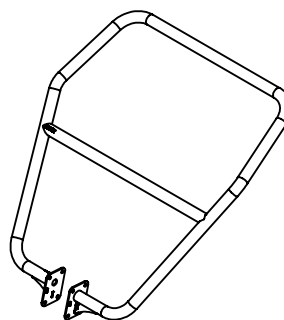
112105
112149 (inox)
x1



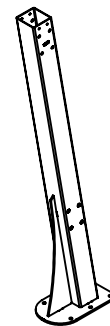
112107
112247 (inox)
x1



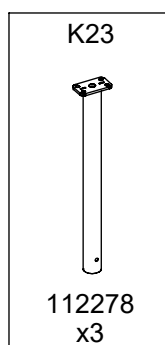
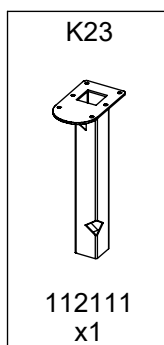
112109
112145 (inox)
x1



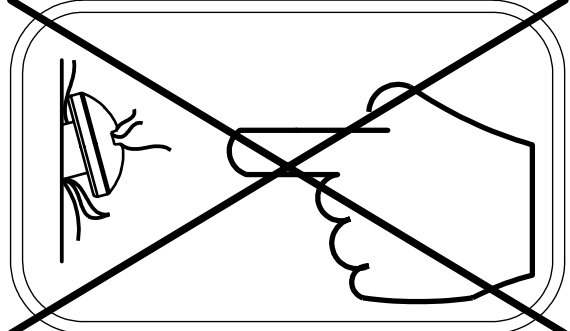
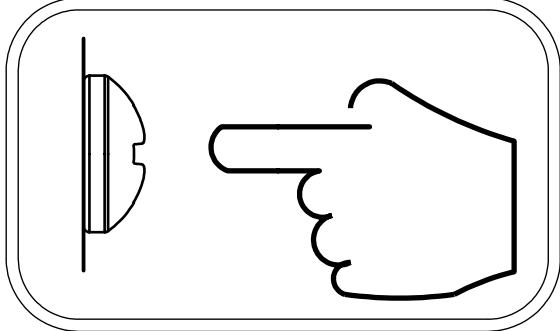
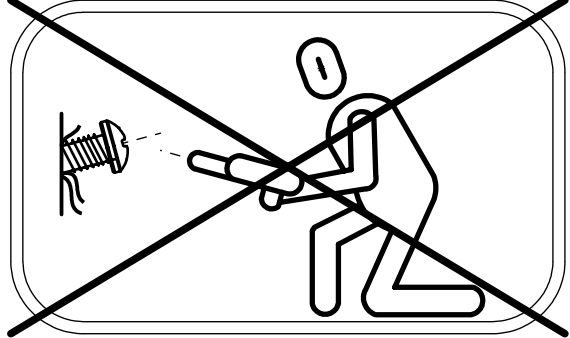
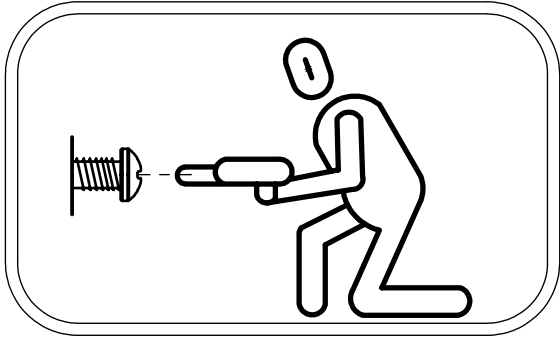
112114
112160 (inox)
x1

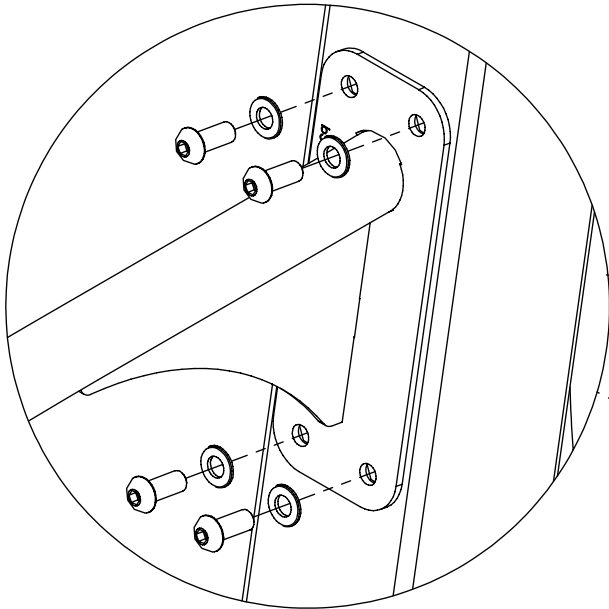


112233
112234 (inox)
x1

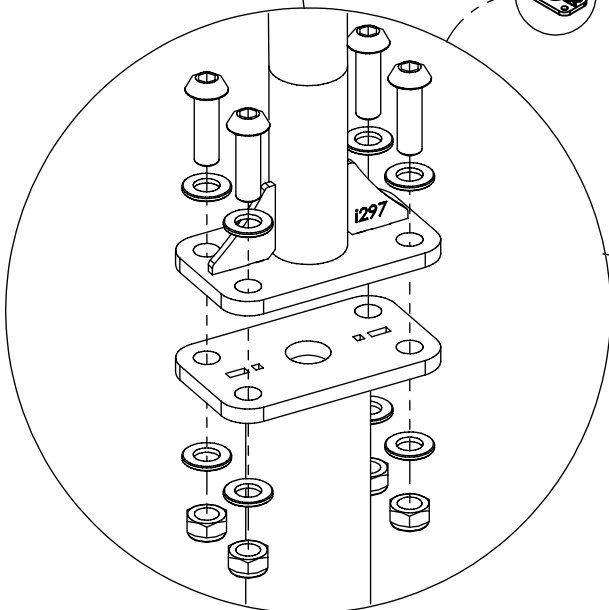
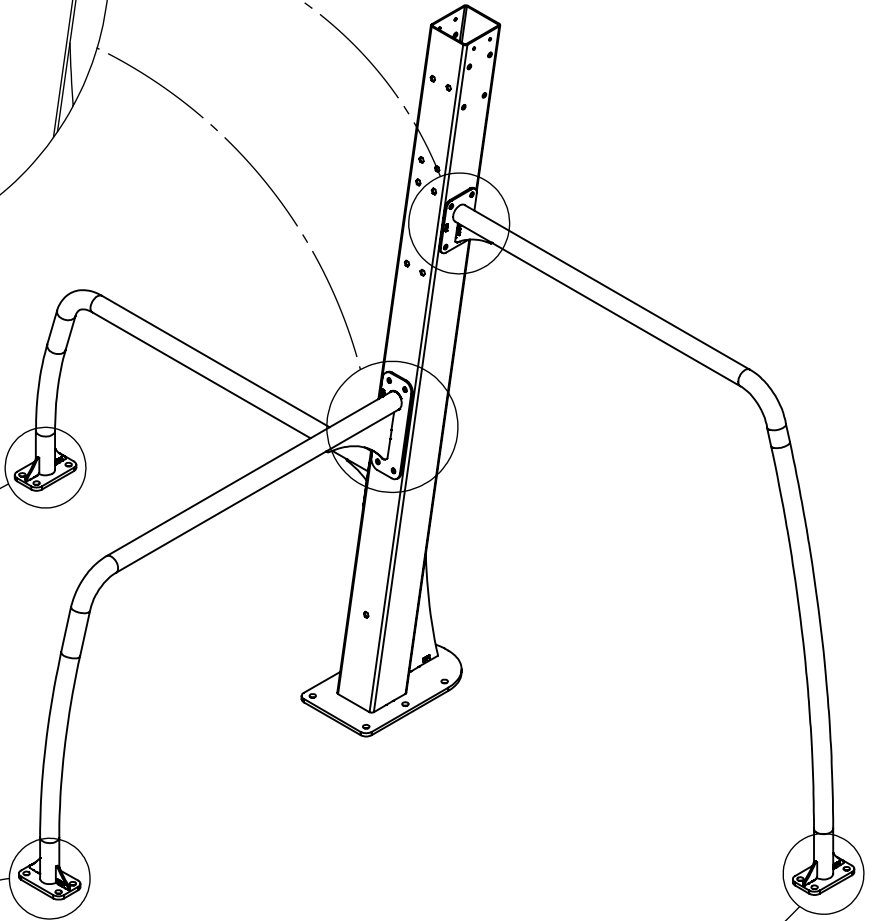


ST/INOX	
11e006 (K23)	1x
11e019 (K23)	3x
996405 (K23)	1x
996362 (K23)	1x
23e001	1x
11e003	1x
11e002	1x
11e004	2x
11e008	3x
116101	1x
116113	1x
V003	1x





3x 11e008

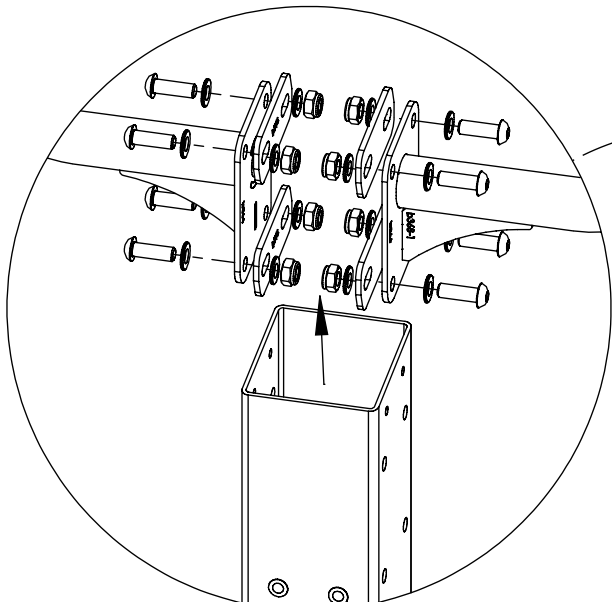


3x 11e019
K23

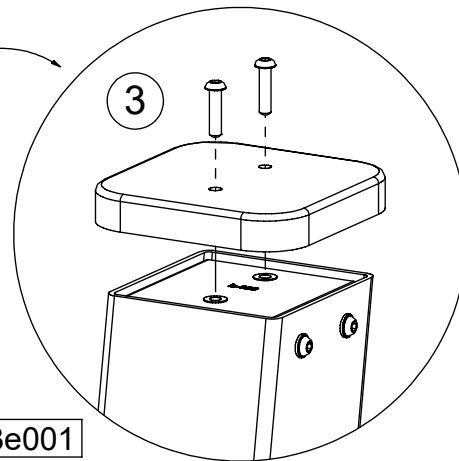
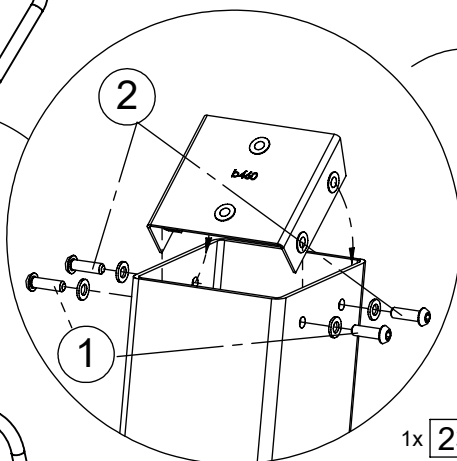
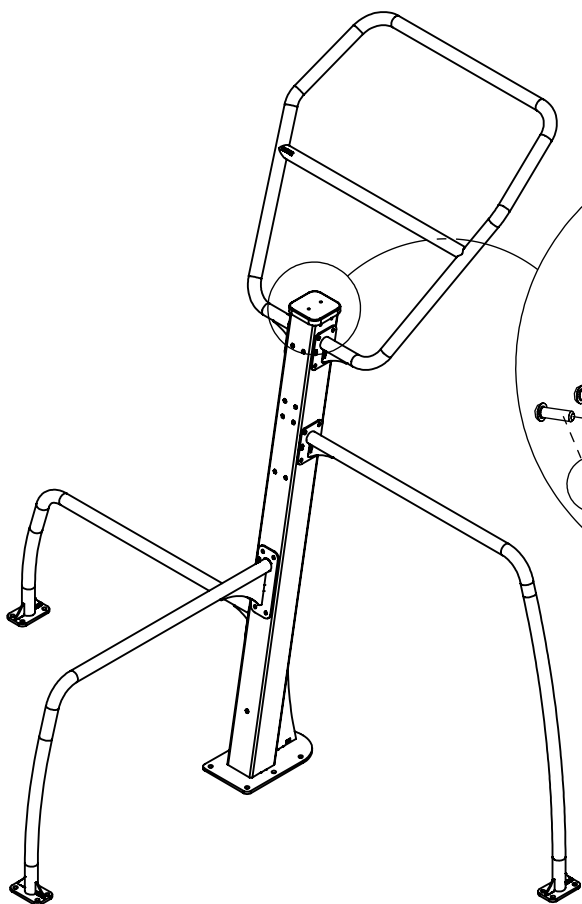
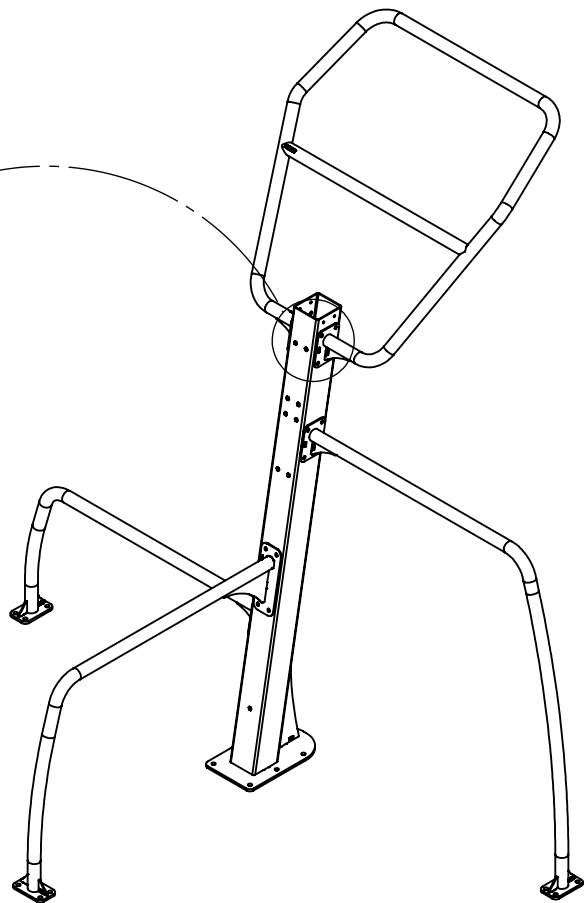


[cm]

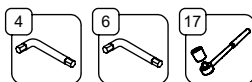
vinci
play



2x 11e004

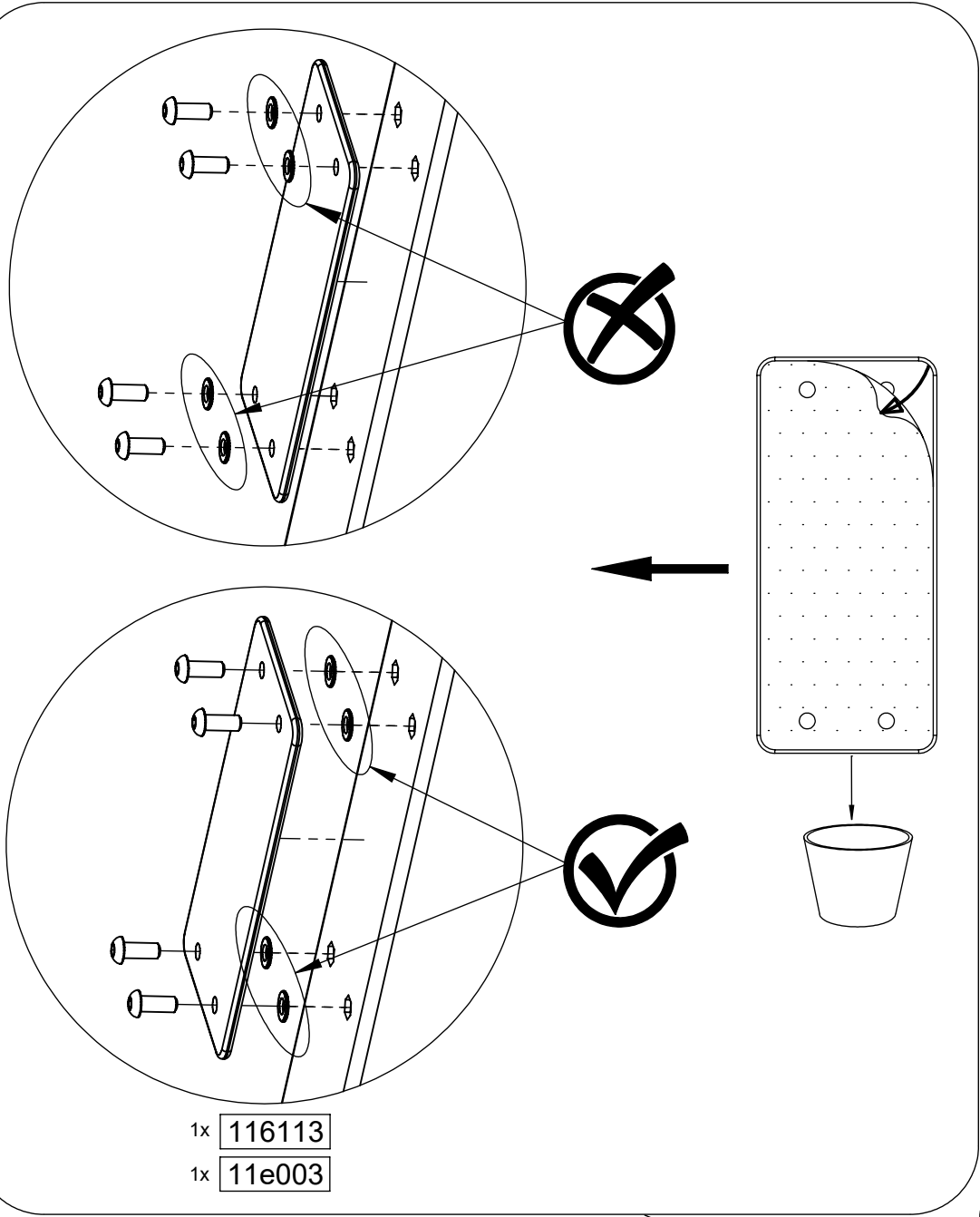


1x 23e001

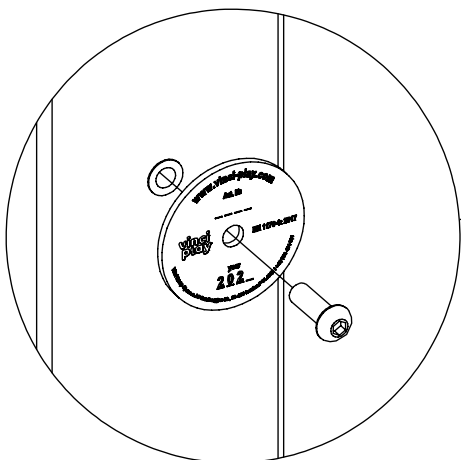


[cm]

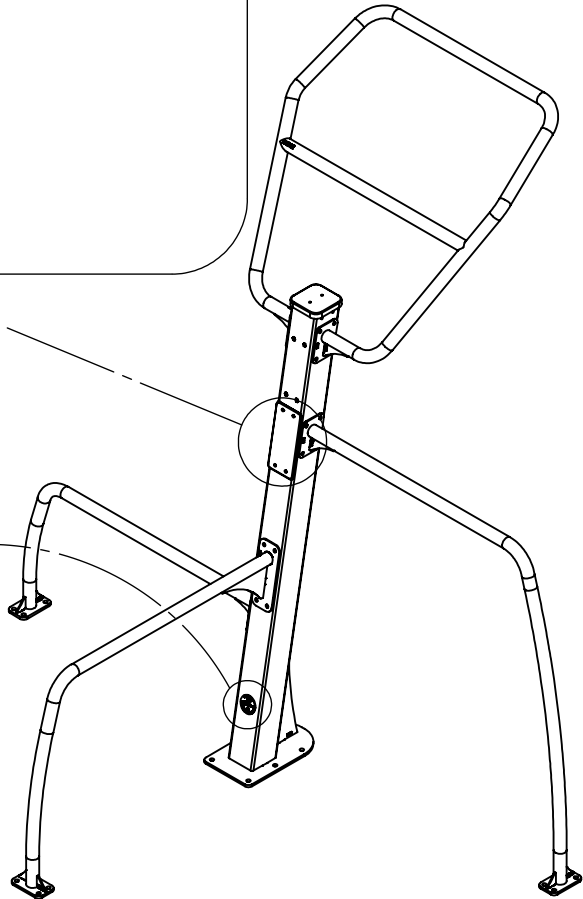
vinci
play



- 1x **116113**
- 1x **11e003**



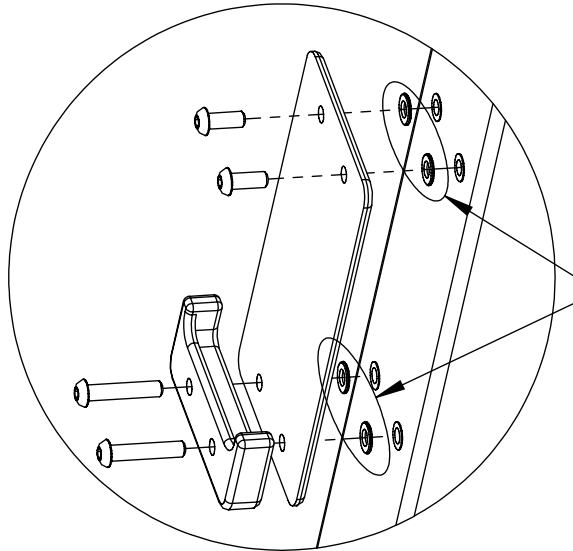
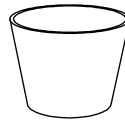
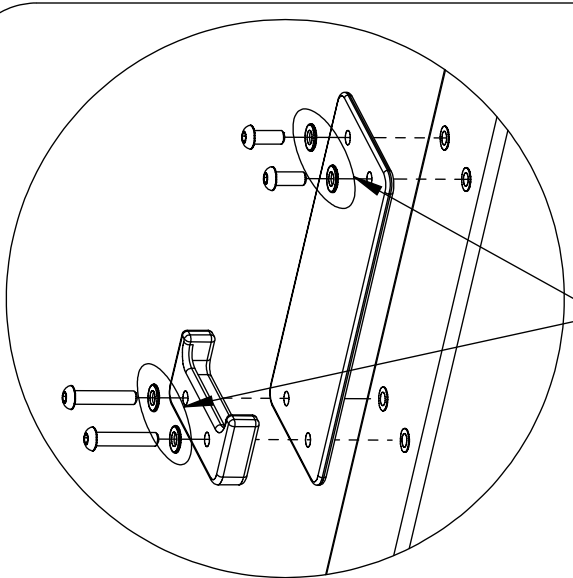
1x **V003**



[cm]

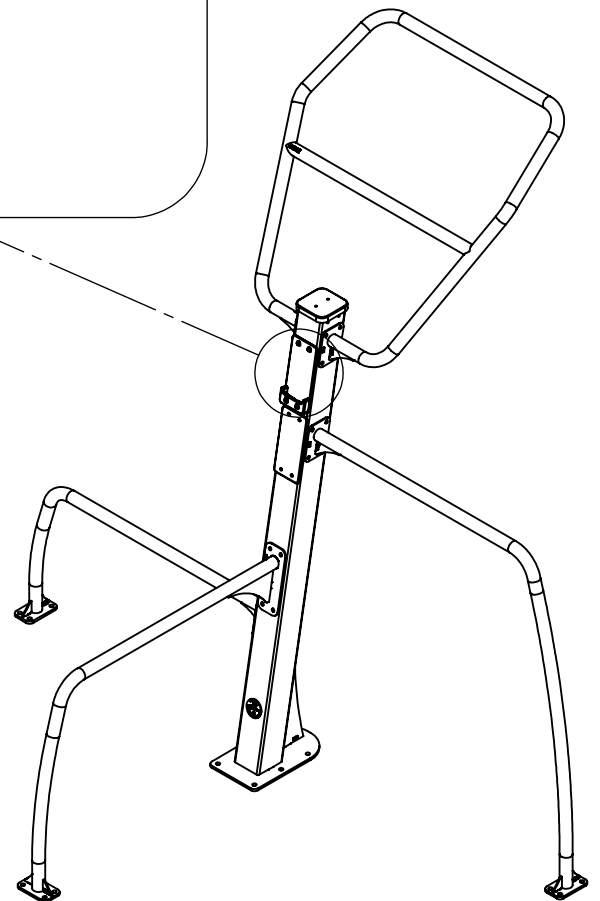
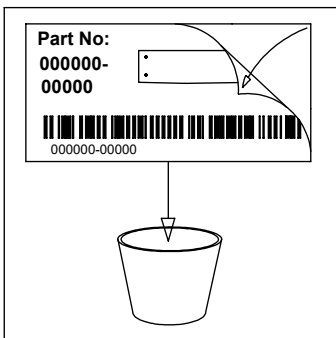


vinci
play



1x 116101

1x 11e002



[cm]



vinci
play