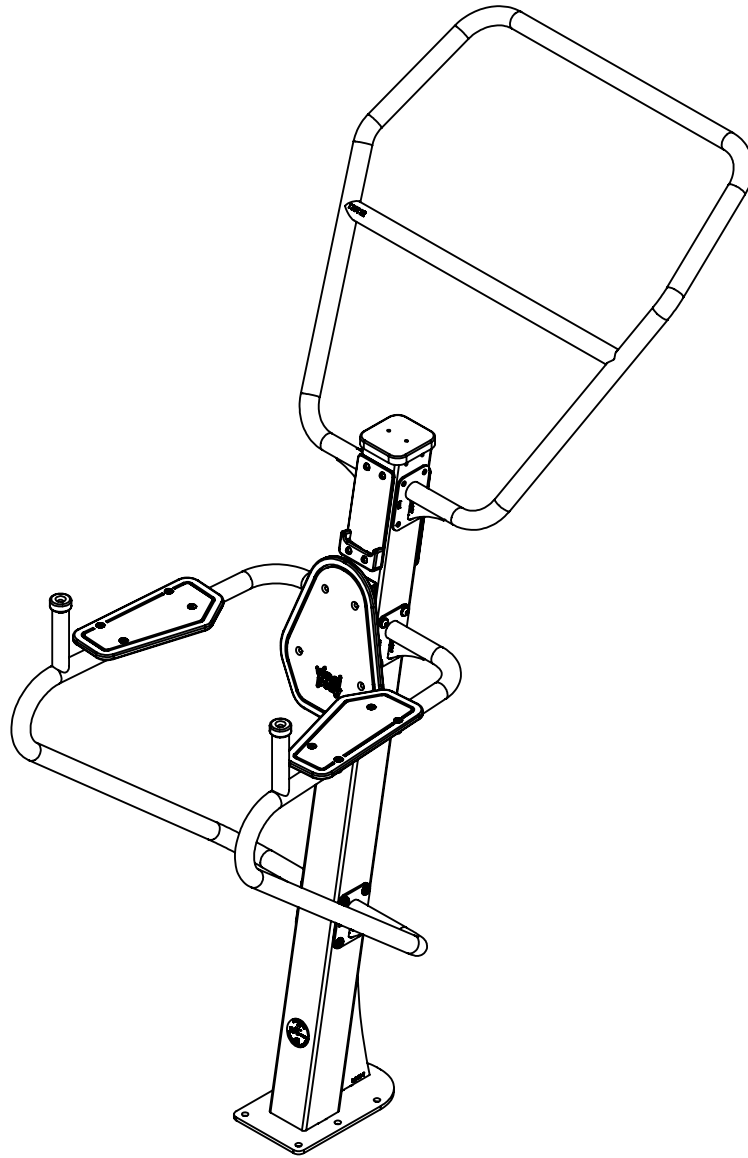
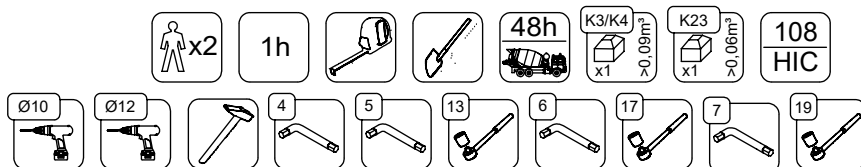


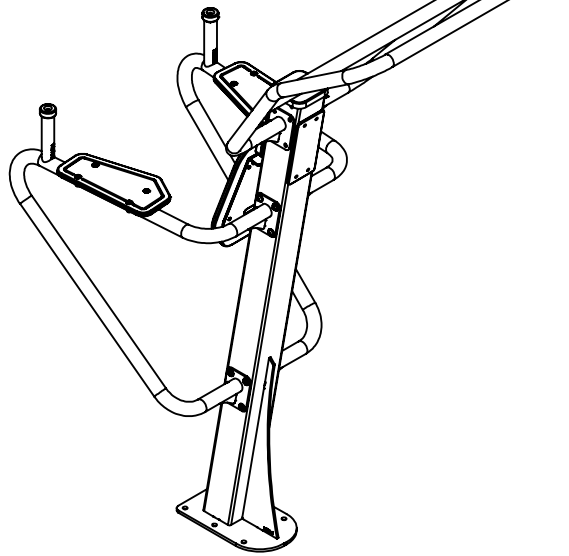
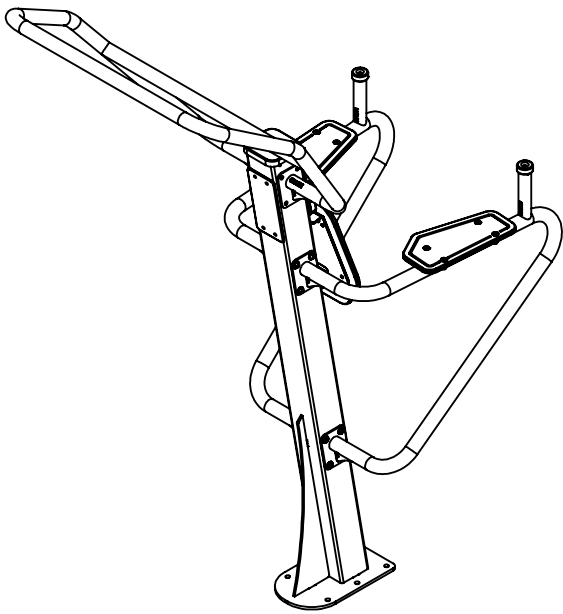
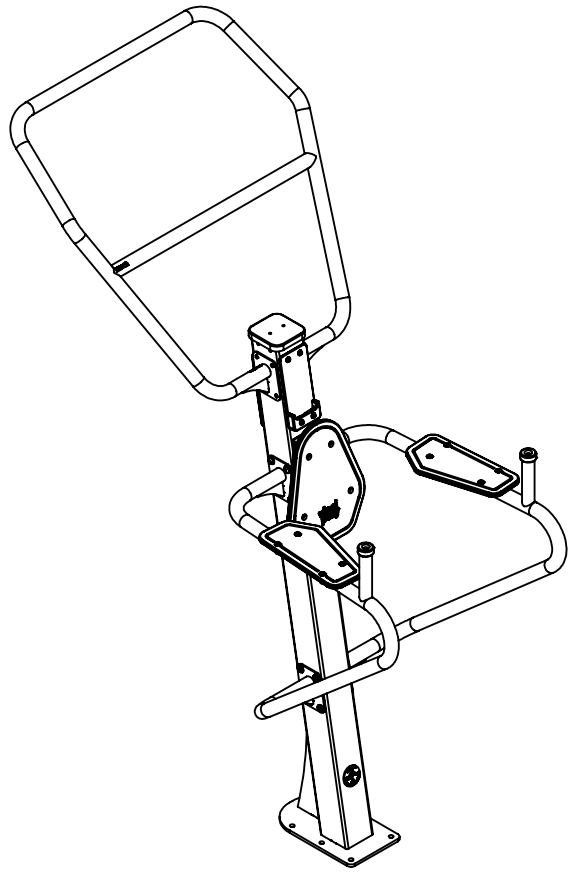
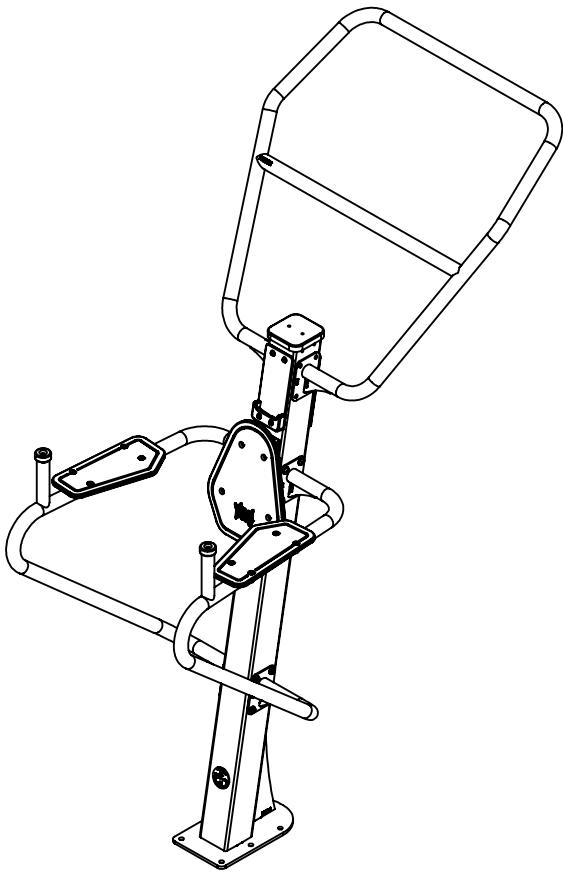
# 1152



v011  
20.06.2023  
K. M.  
[cm]

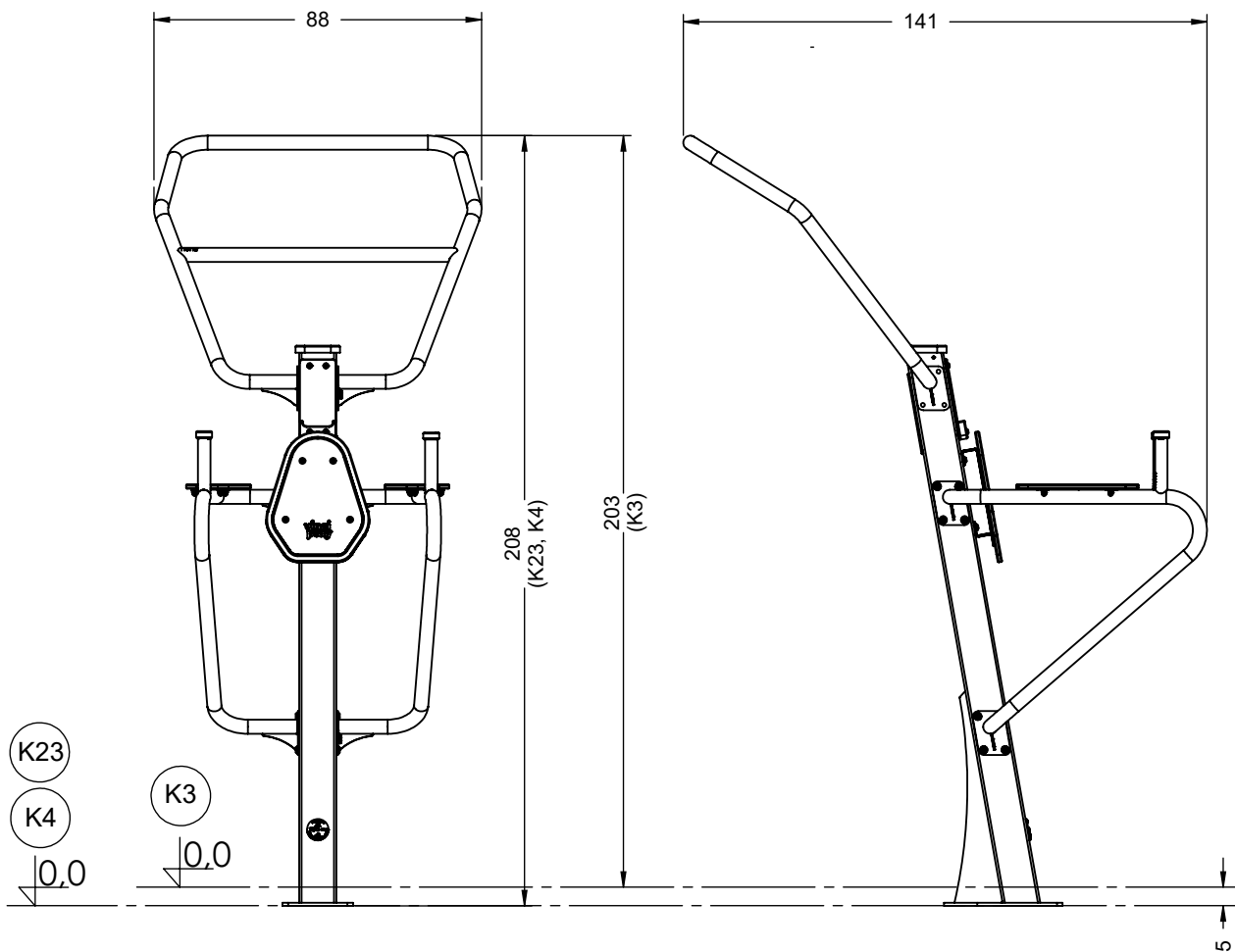


vinci  
play



[cm]

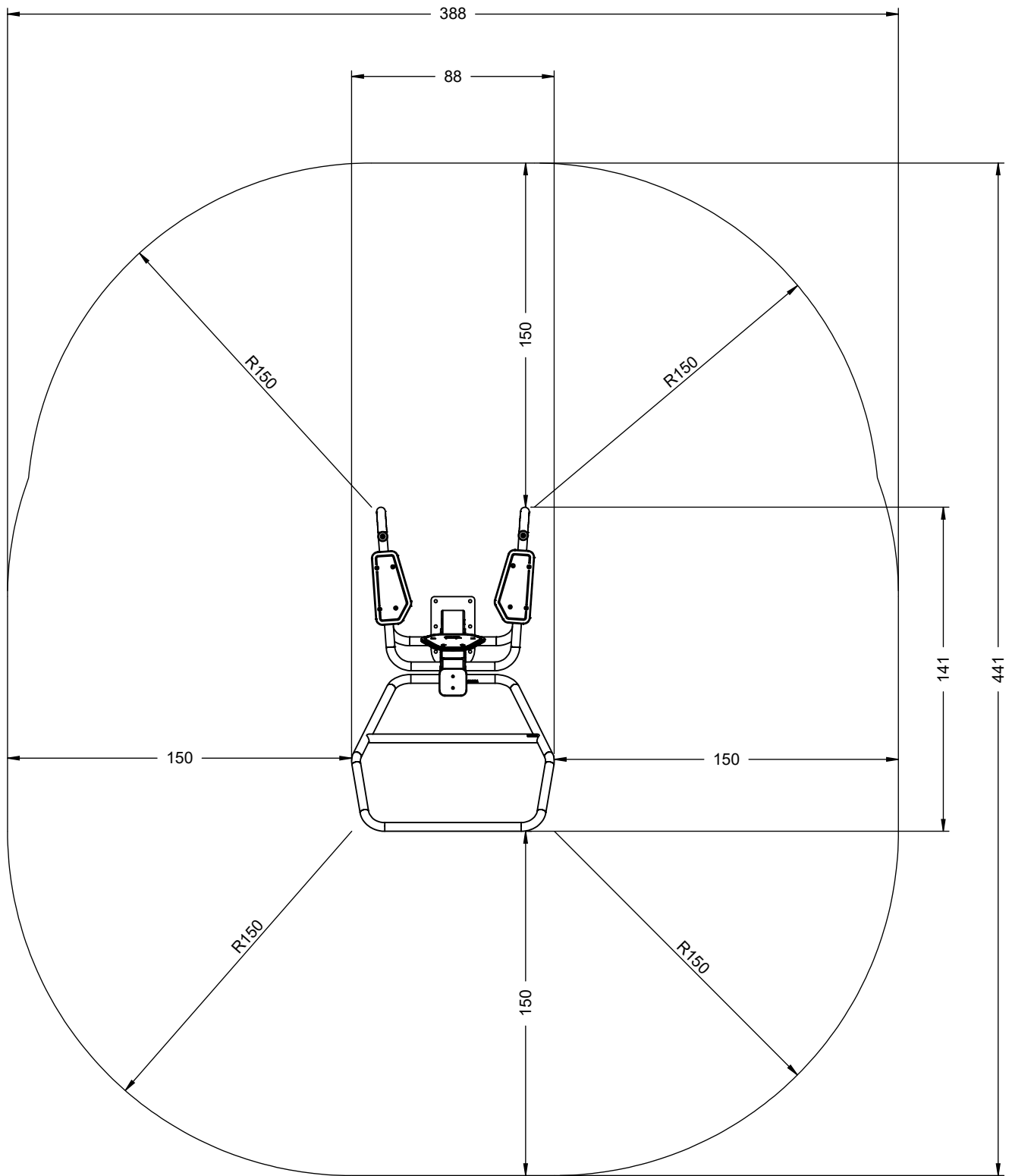
vinci  
play



[cm]

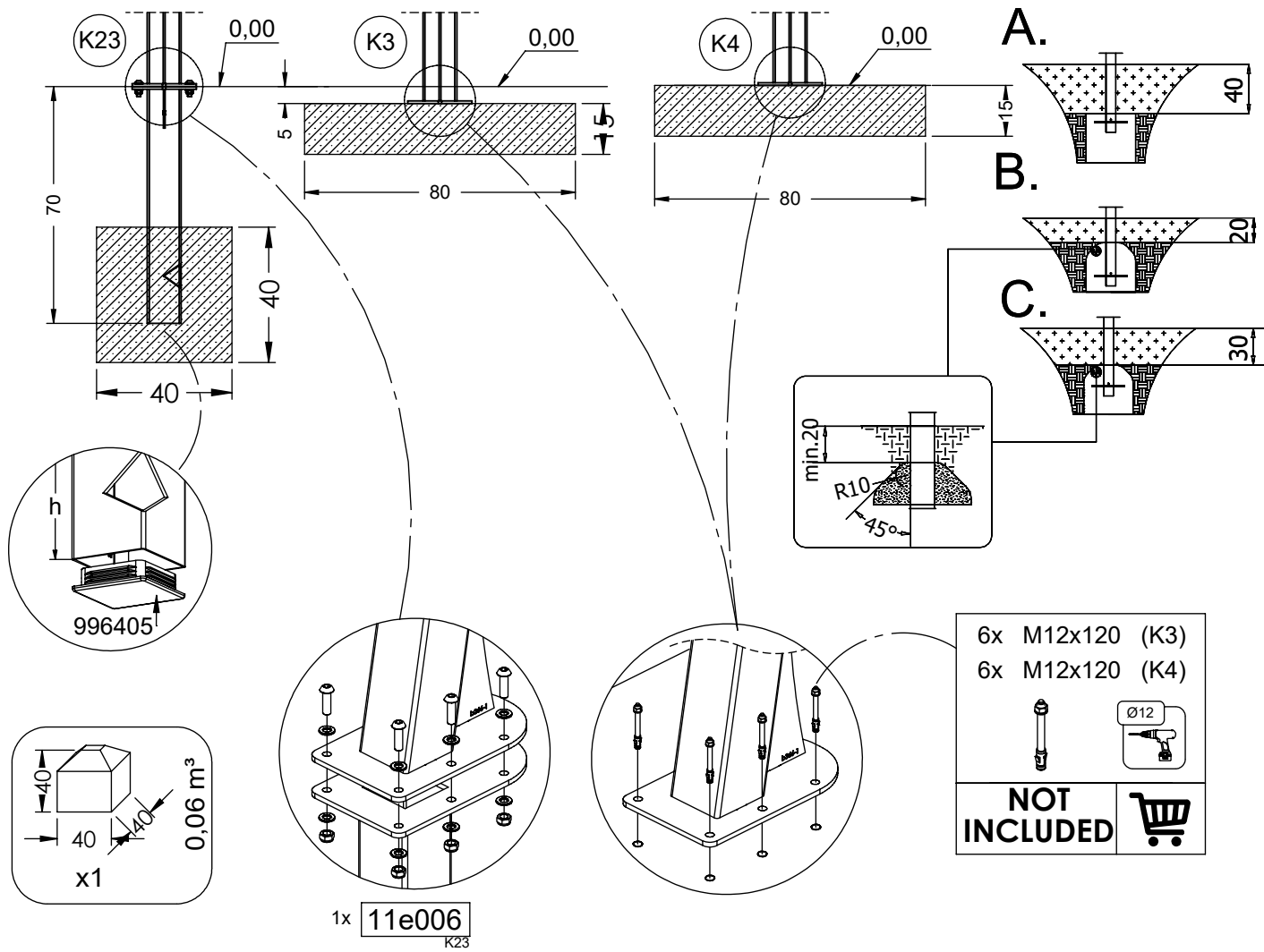


vinci  
play



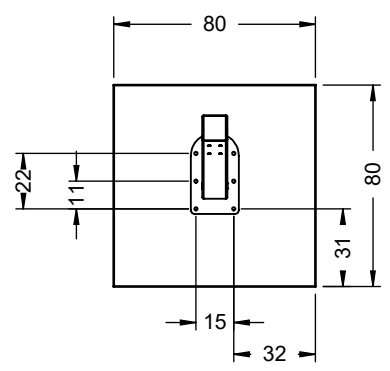
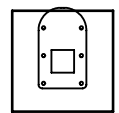
[cm]

vinci  
play



K23

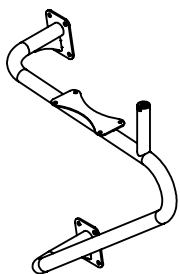
K3 K4



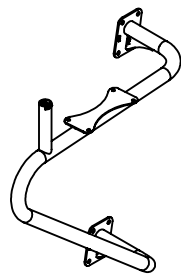
[cm]

x2   
 1h   
   
   
 48h   
 K3/K4 x1 >0,09m³   
 K23 x1 >0,06m³

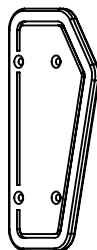
vinci play



112132  
112170 (inox)  
x1



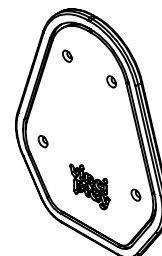
112131  
112271 (inox)  
x1



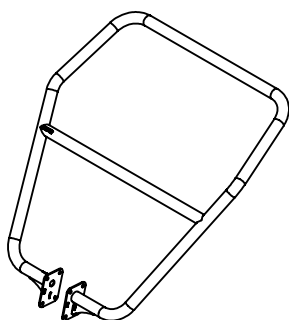
111127  
x1



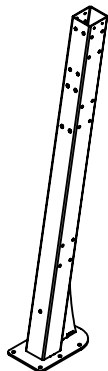
111128  
x1



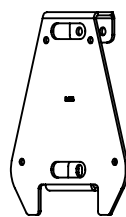
111102  
x1



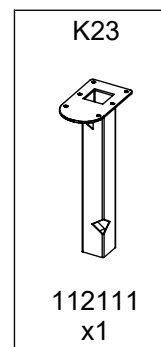
112114  
112160 (inox)  
x1



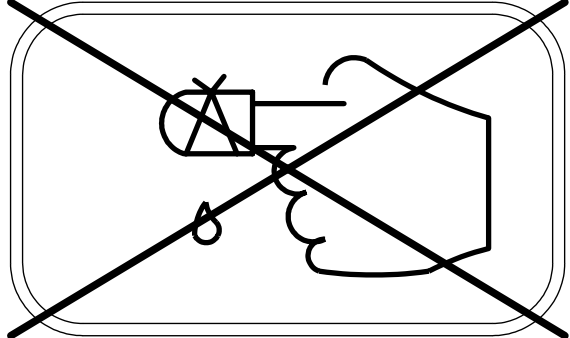
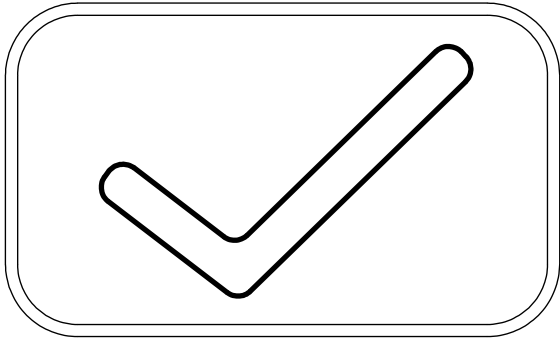
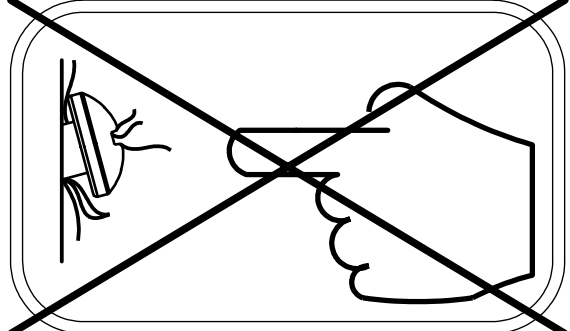
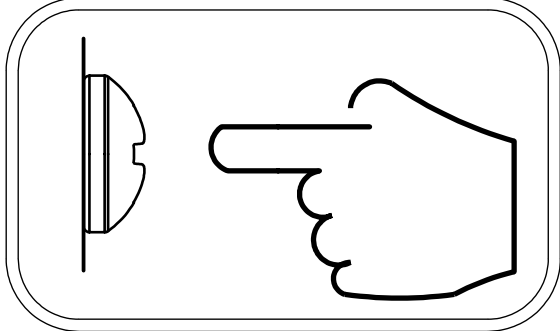
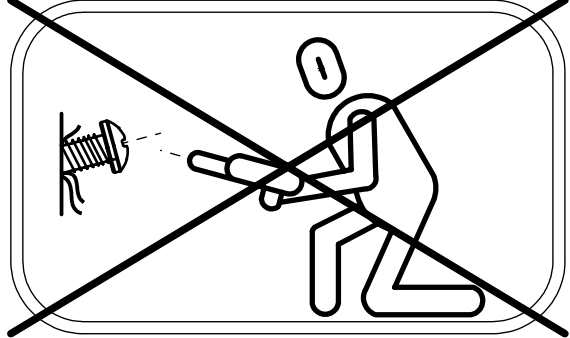
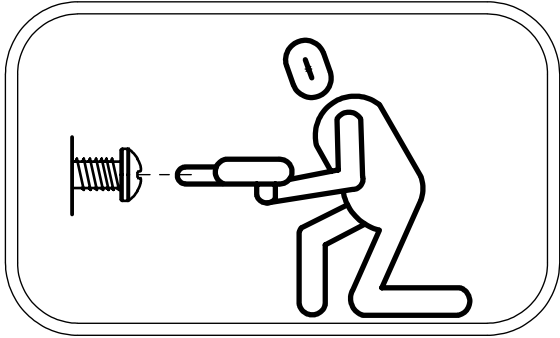
112231  
112232 (inox)  
x1

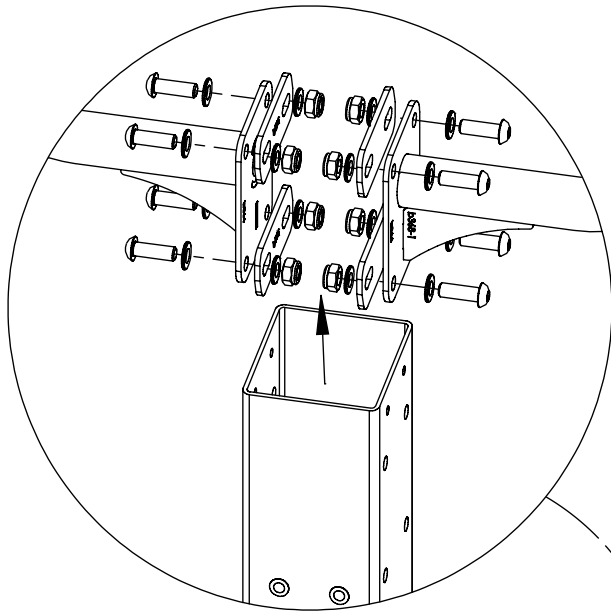


b556  
i371 (inox)  
x1

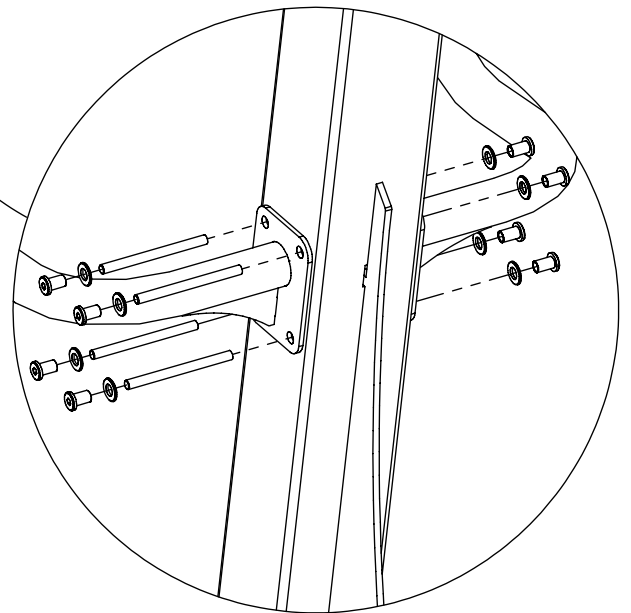
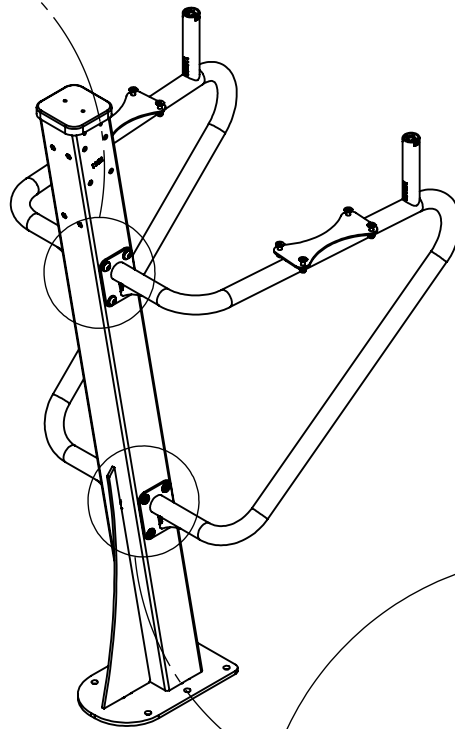


|    | ST/INOX      |
|----|--------------|
| 1x | 11e006 (K23) |
| 1x | 996405 (K23) |
| 1x | 11e002       |
| 1x | 11e003       |
| 4x | 11e004       |
| 1x | 11e005       |
| 1x | 11e008       |
| 2x | 11e009       |
| 1x | 11e023       |
| 1x | 11e024       |
| 1x | 116101       |
| 1x | 116112       |
| 1x | V003         |
| 1x | 23e001       |



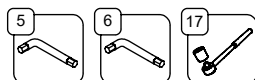


2x 11e004



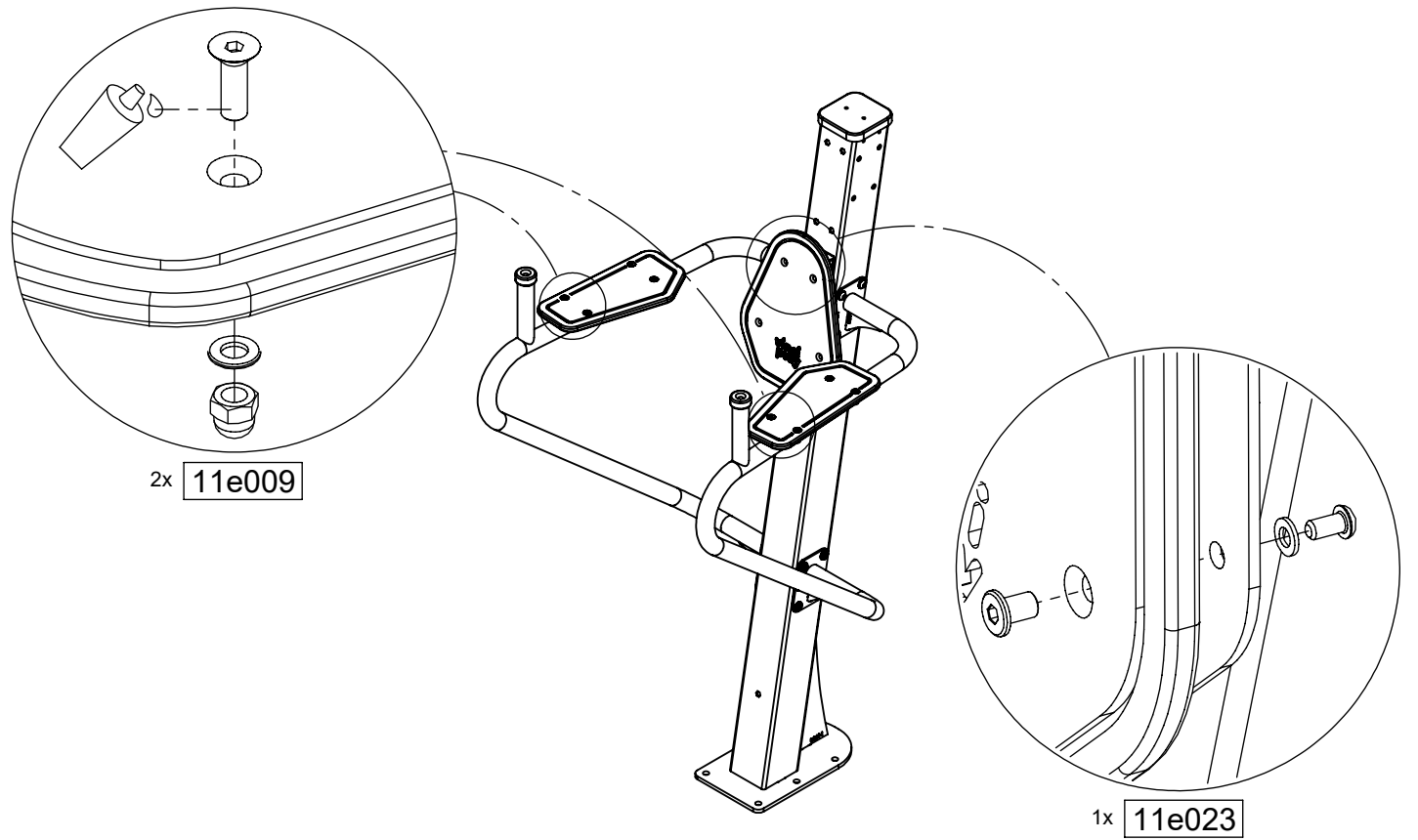
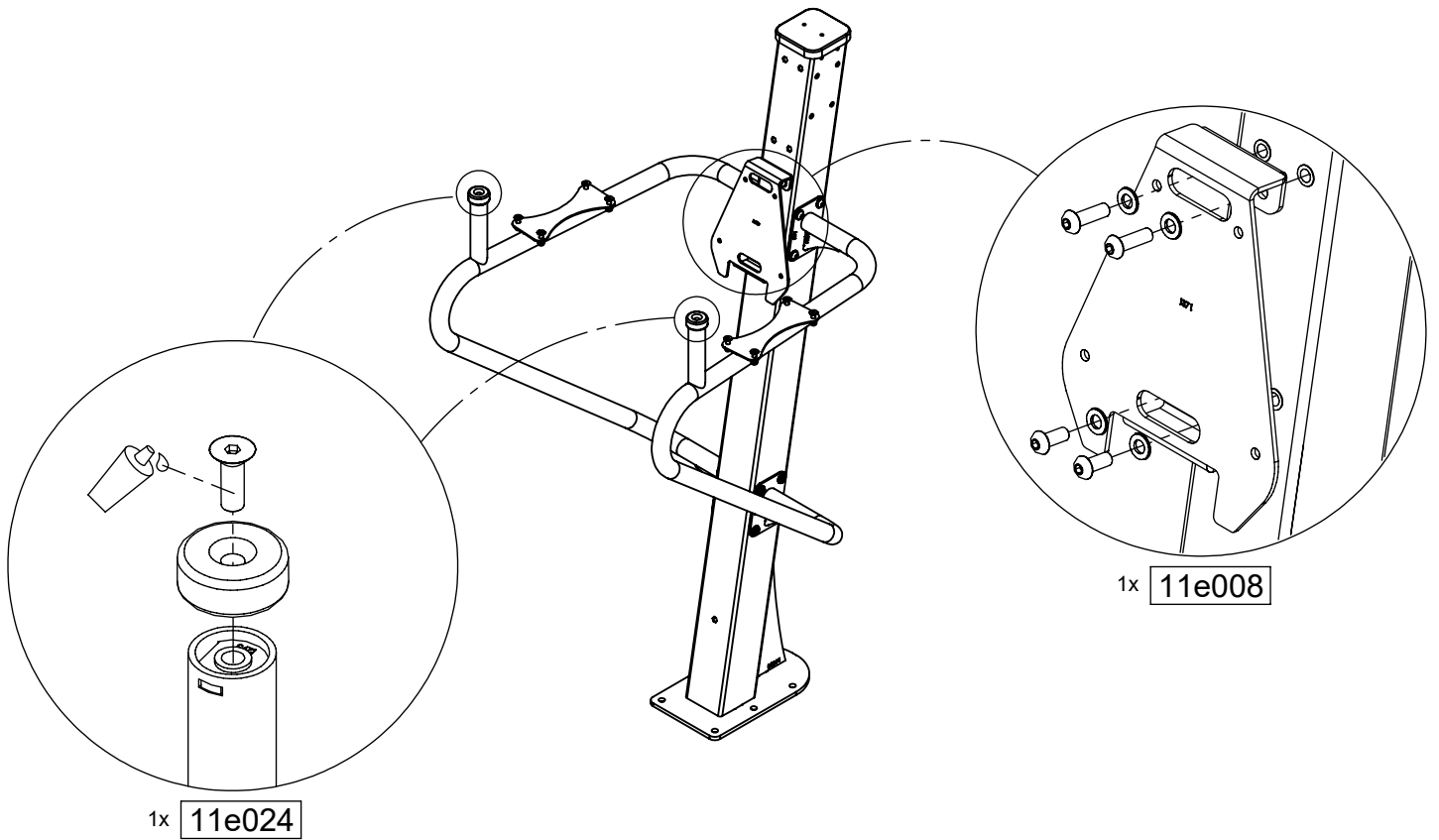
1x 11e005

[cm]



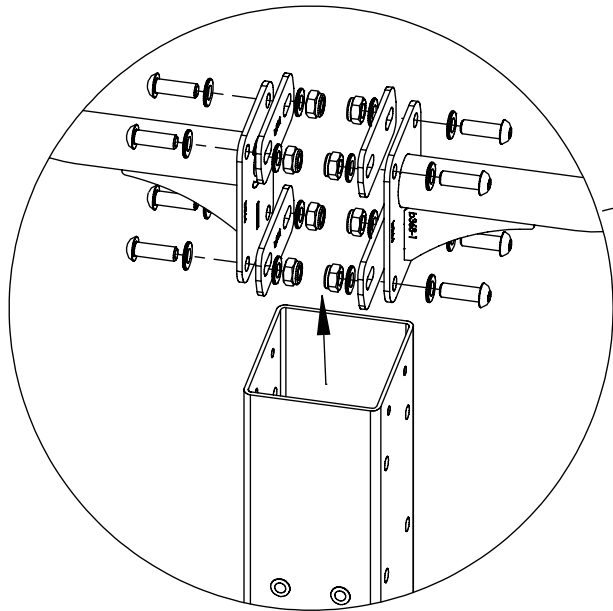
vinci  
play



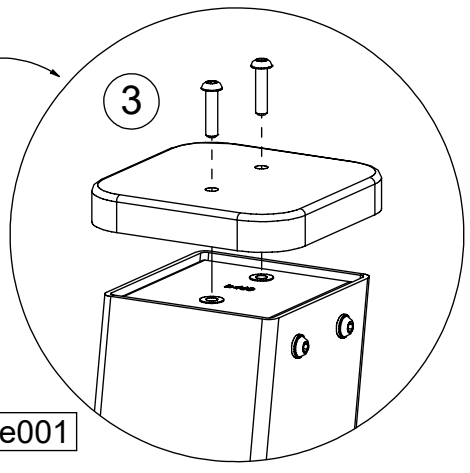
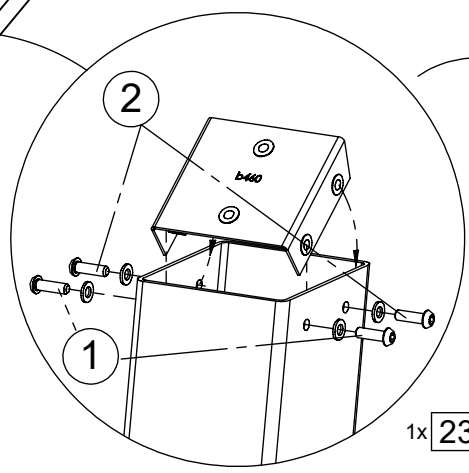
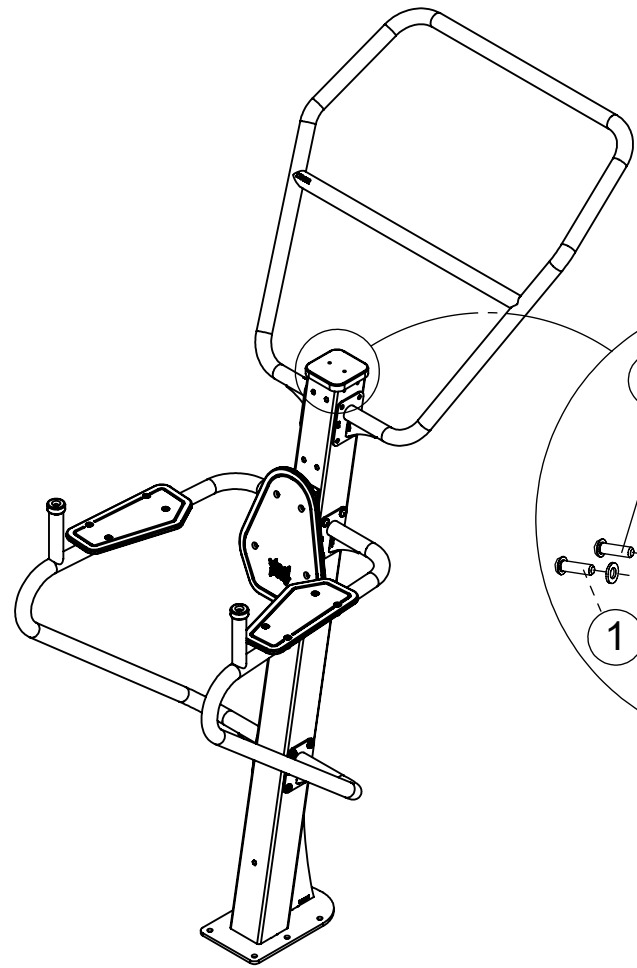
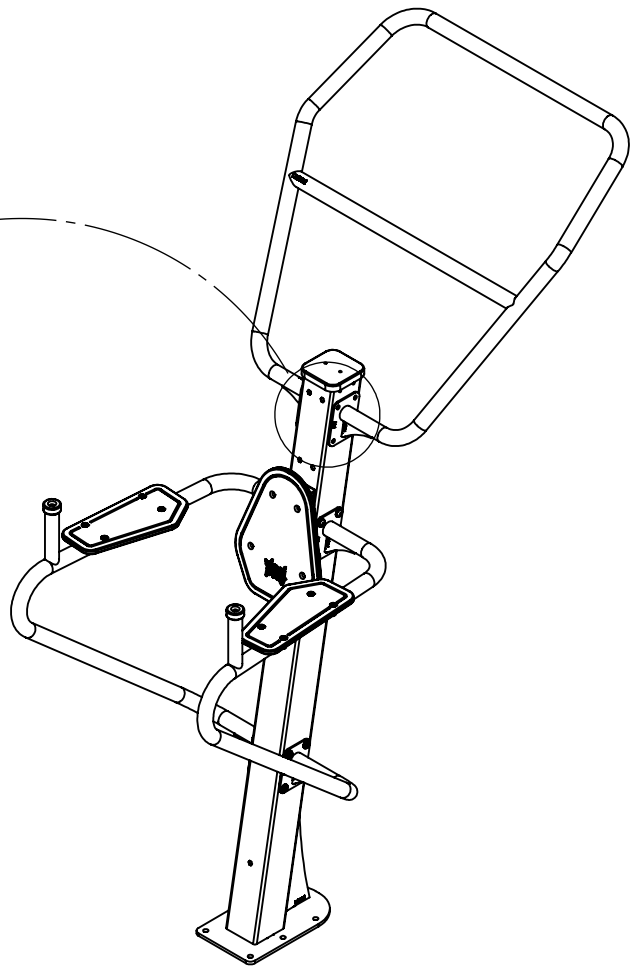


[cm]

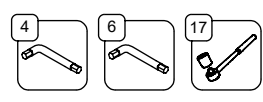
vinci  
play



2x 11e004

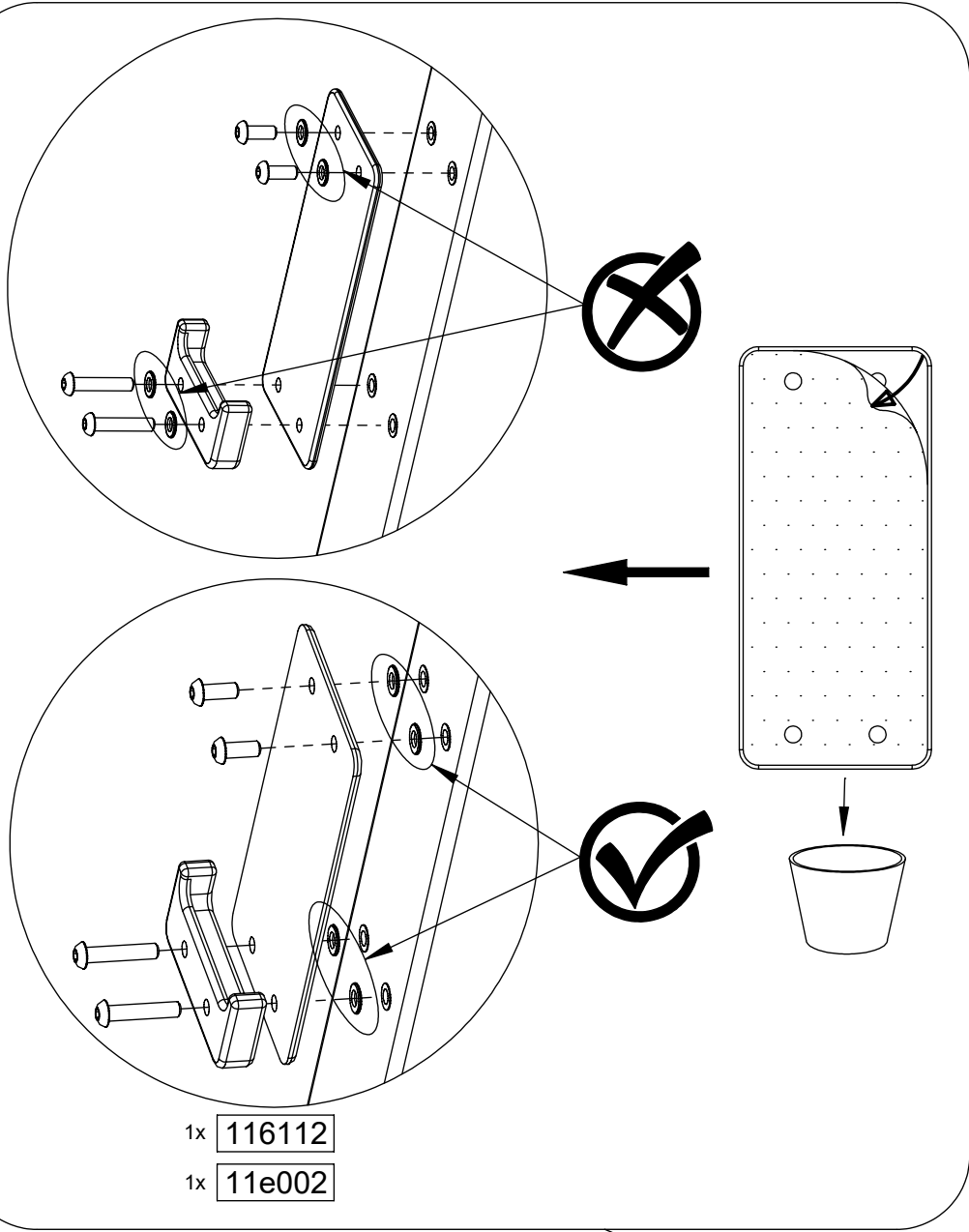


1x 23e001

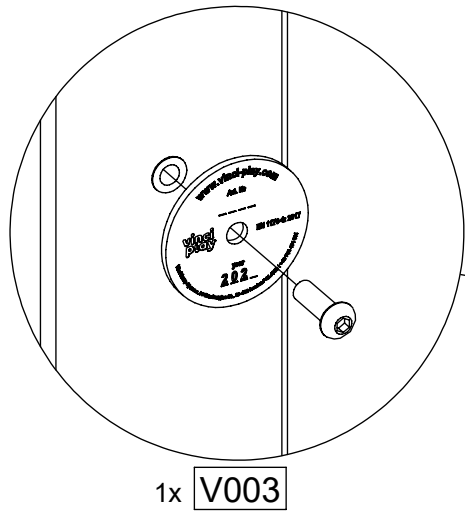


[cm]

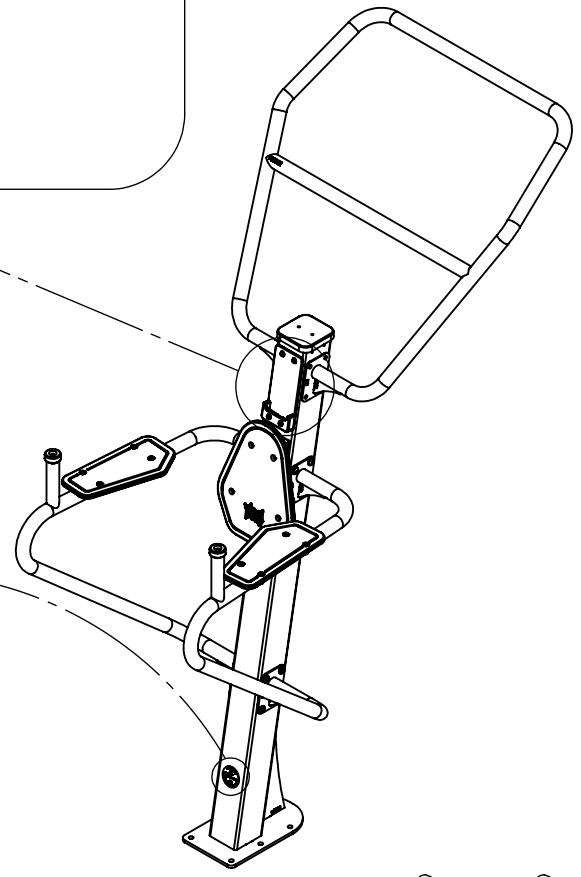
vinci  
play



- 1x 116112
- 1x 11e002

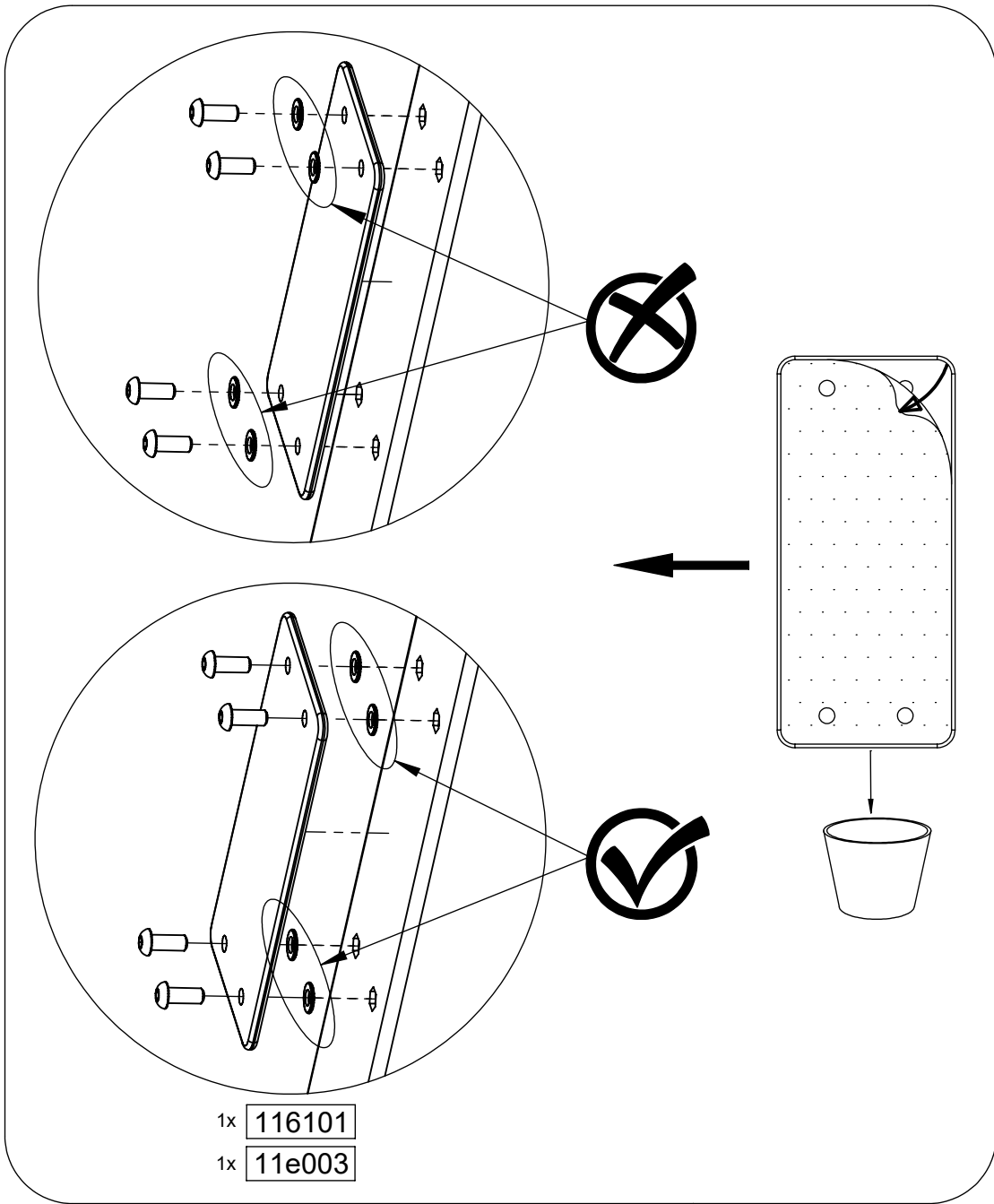


1x V003



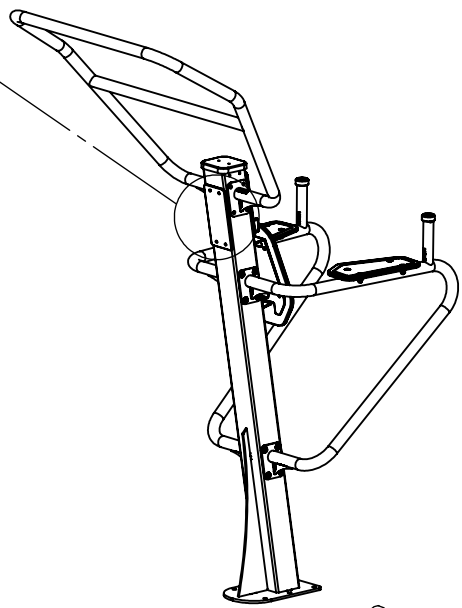
[cm]

vinci  
play



Part No:  
000000-  
00000

000000-00000



[cm]



vinci  
play