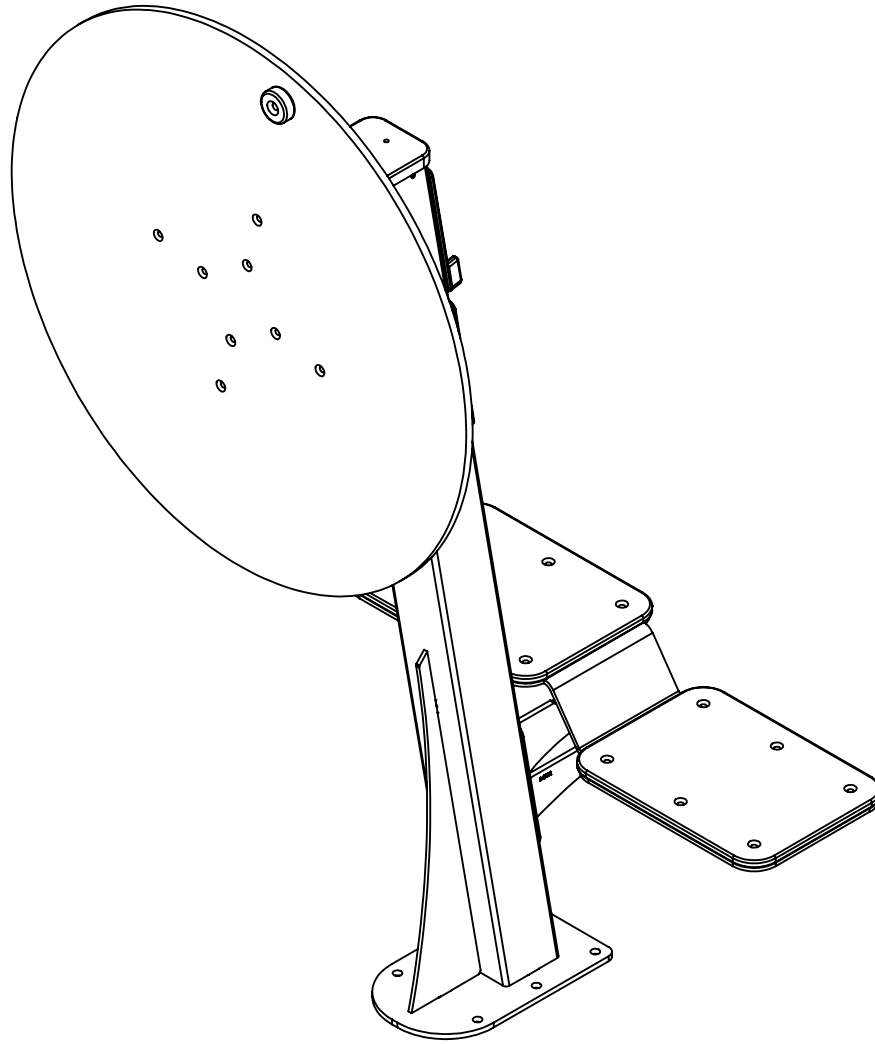
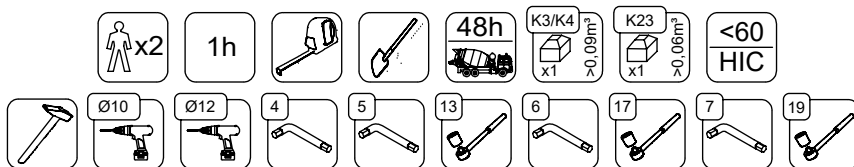


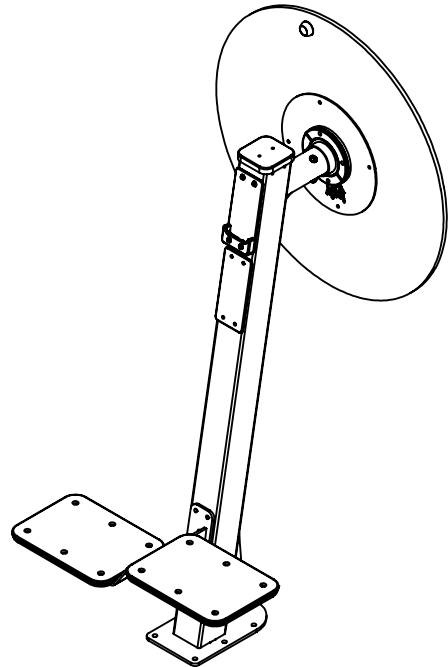
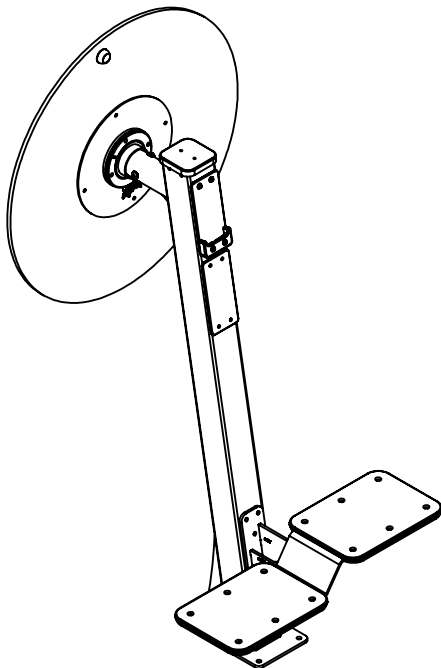
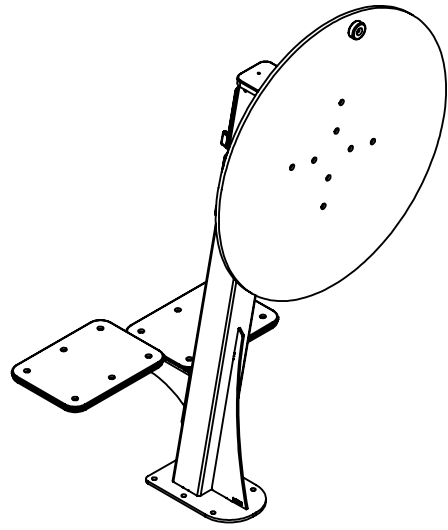
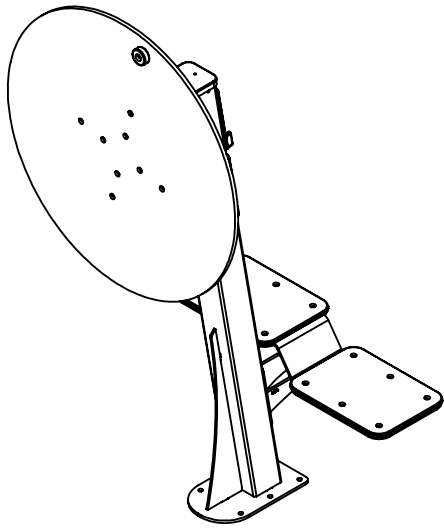
1150



v011
19.06.2023
K. M.
[cm]



vinci
play



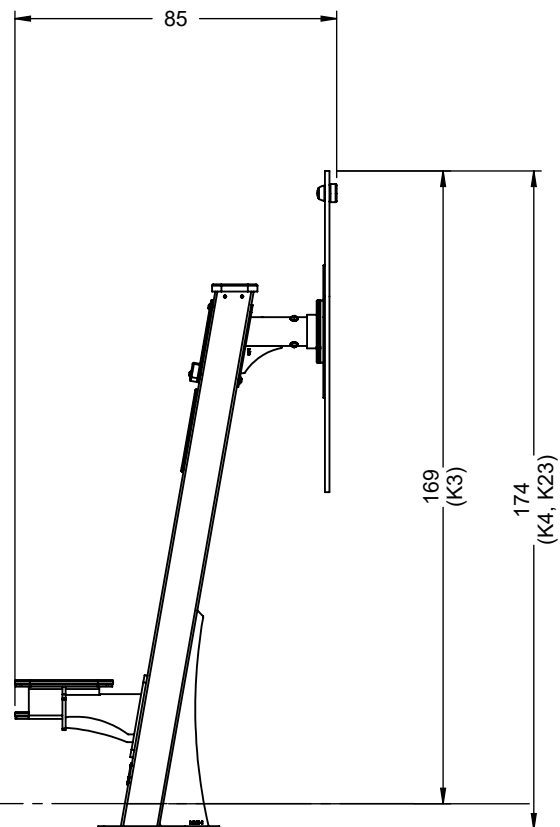
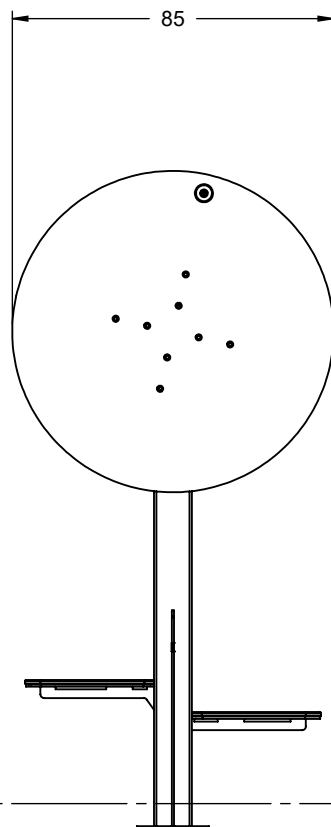
K23

K4

0,0

K3

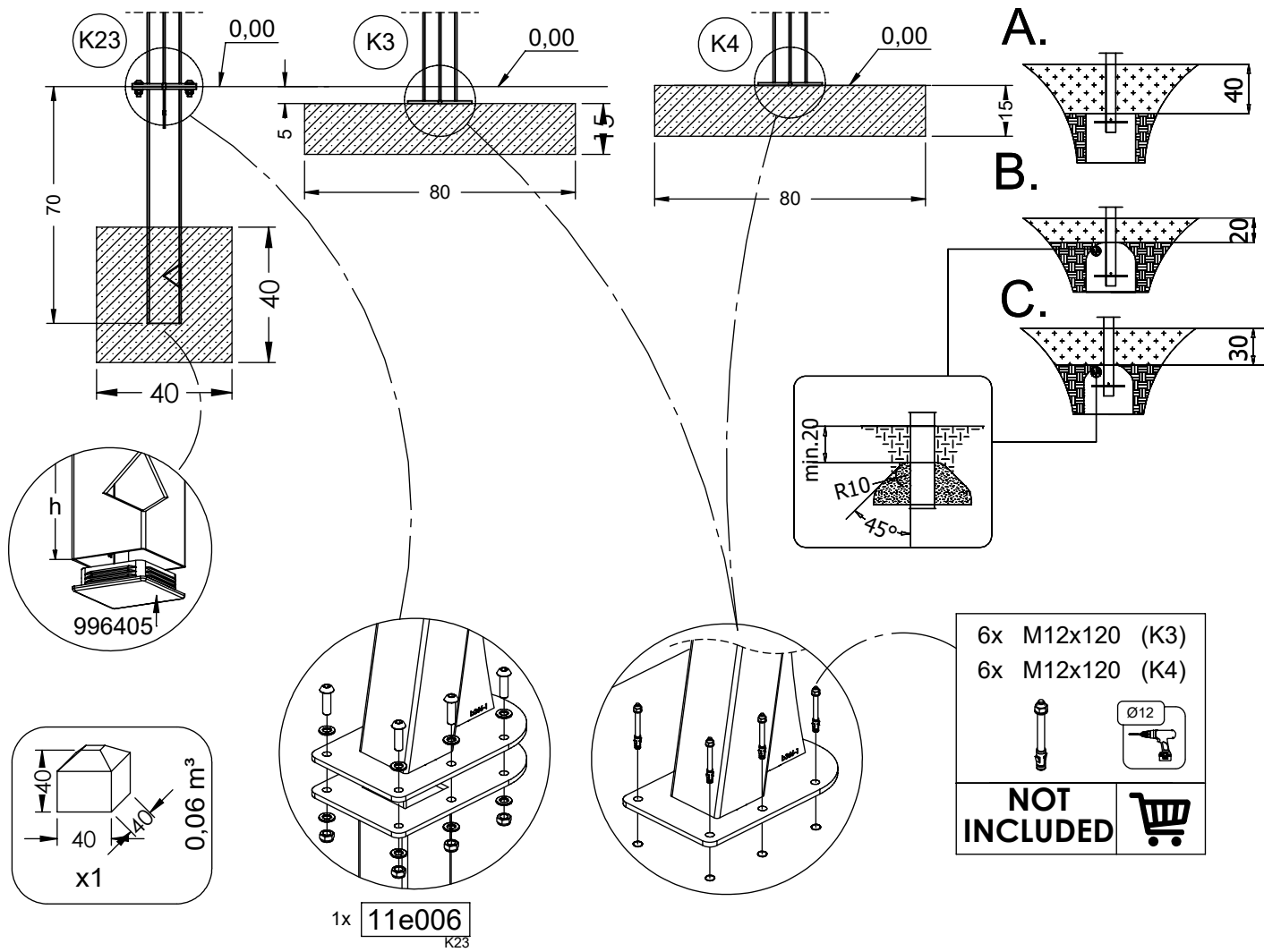
0,0



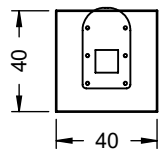
[cm]



vinci
play

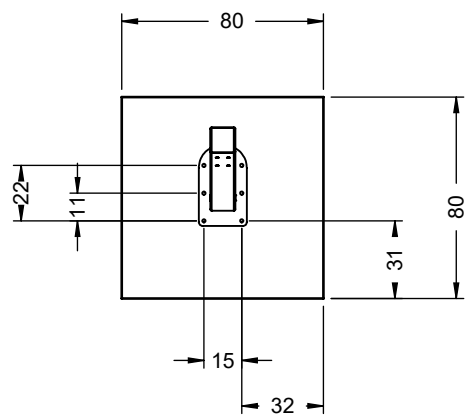


K23



K3

K4



[cm]



1h



48h



K3/K4

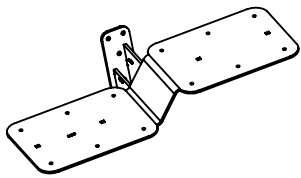
x1 >0,09m³



K23

x1 >0,06m³

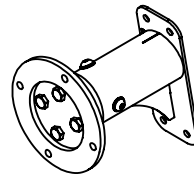
vinci play



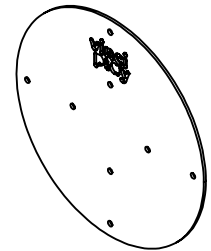
112147
112270 (inox)
x1



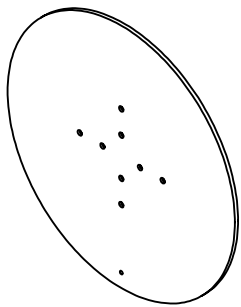
111124
x2



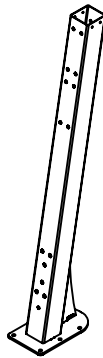
114138
114137 (inox)
x1



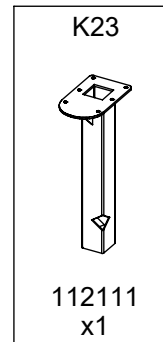
b465
i361 (inox)
x1



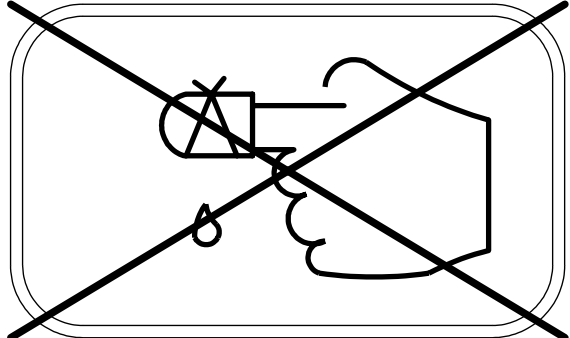
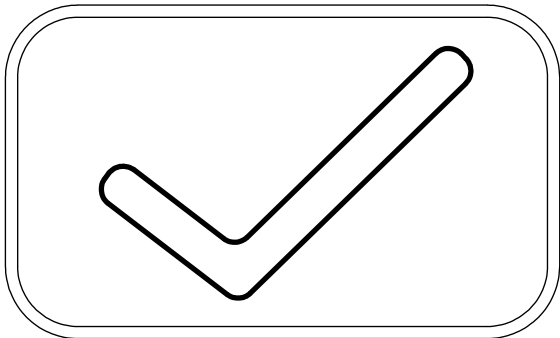
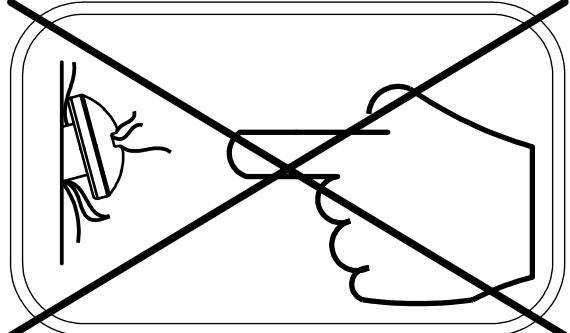
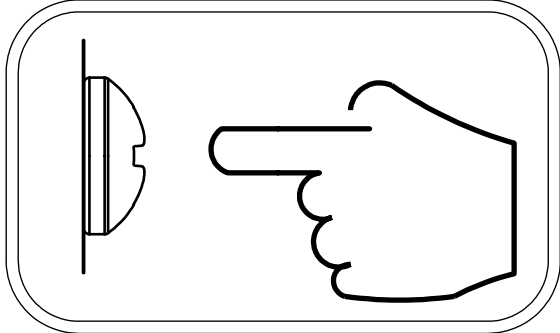
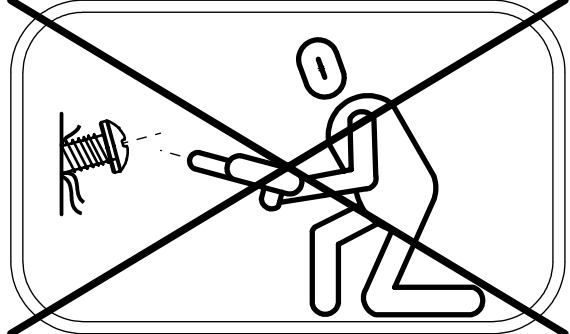
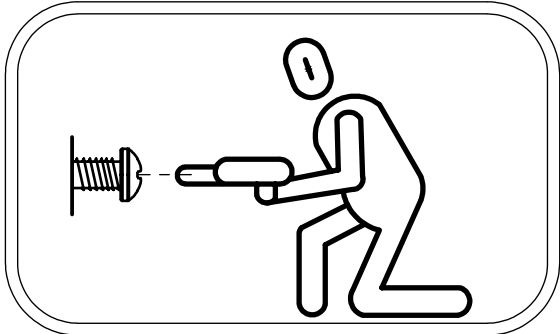
112111
x1

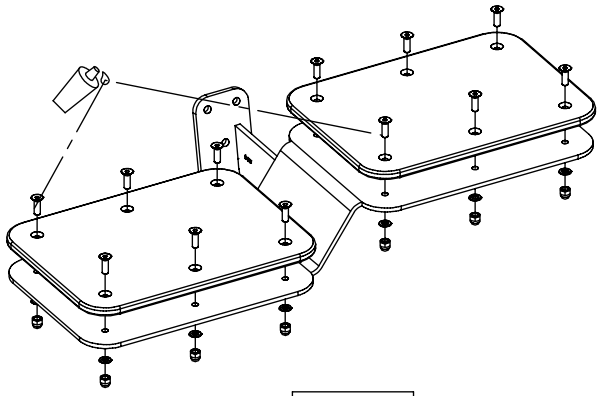


112229
112230 (inox)
x1

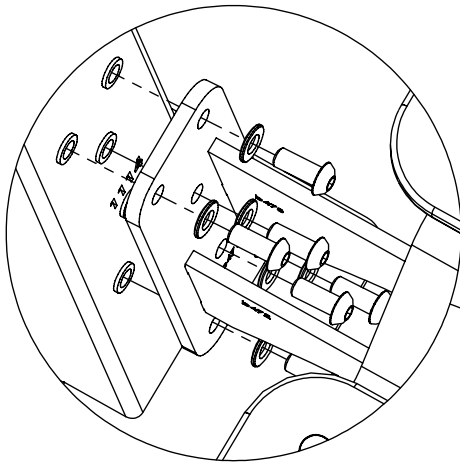
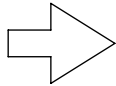


ST/INOX	
1x	11e006 (K23)
1x	996405 (K23)
1x	23e001
2x	11e003
1x	11e004
2x	11e007
1x	11e016
1x	11e021
1x	11e022
1x	116110
1x	116114
1x	V003

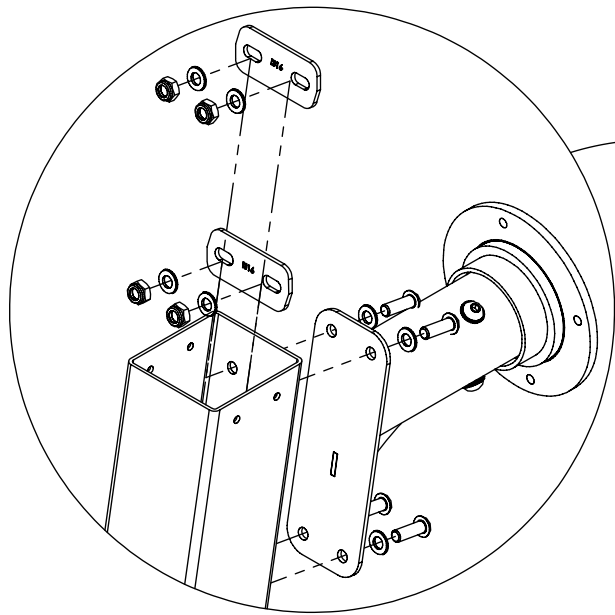
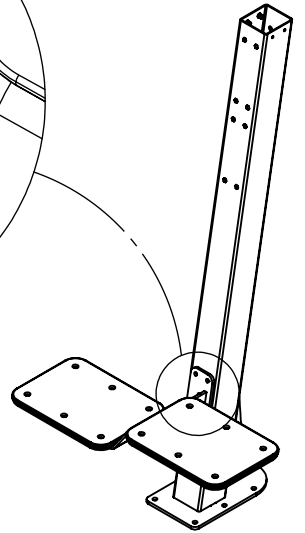




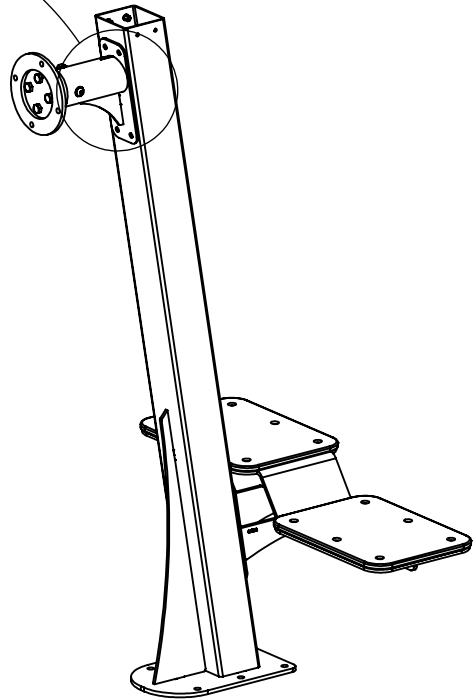
2x 11e007



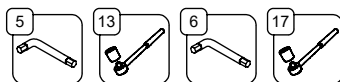
1x 11e016



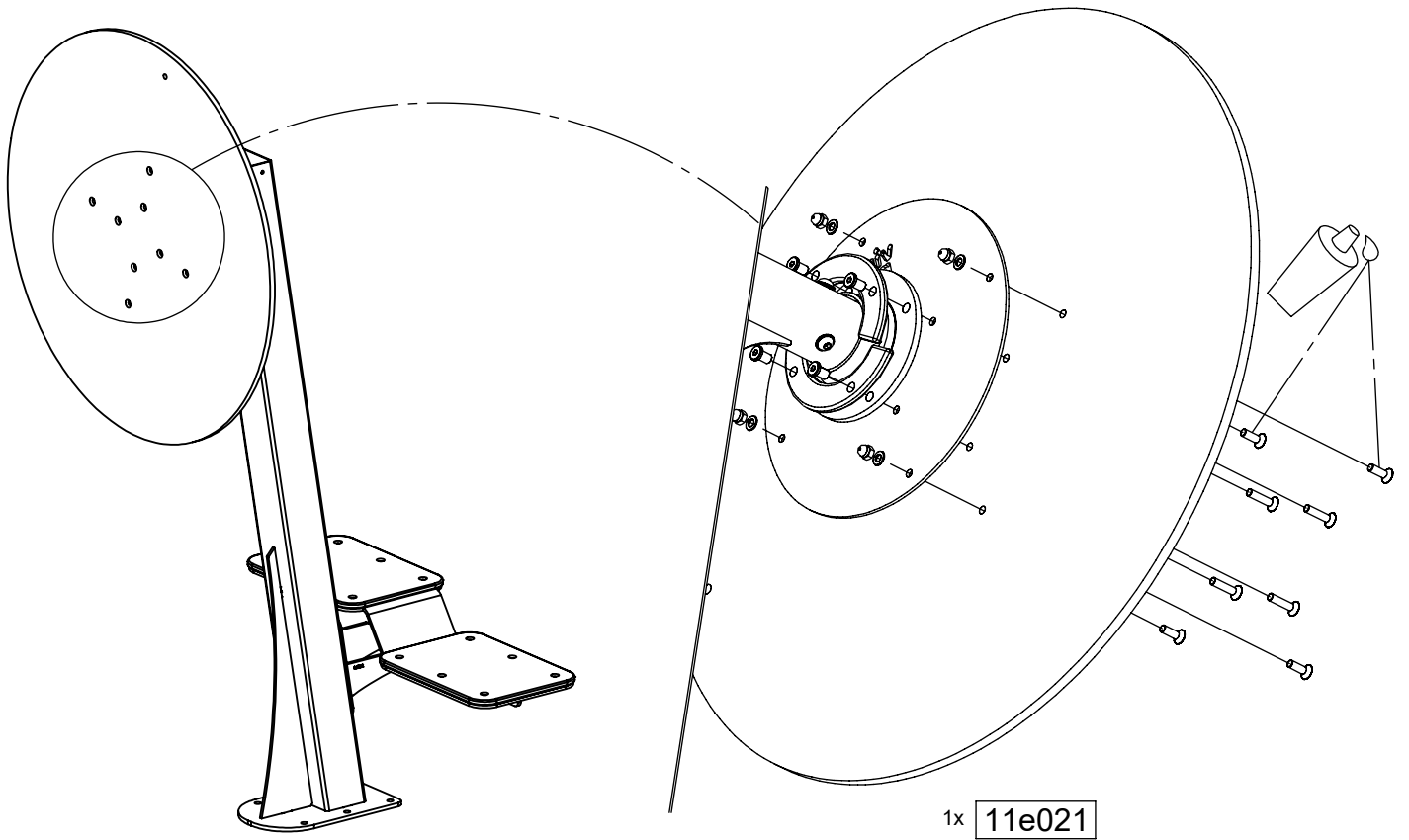
1x 11e004



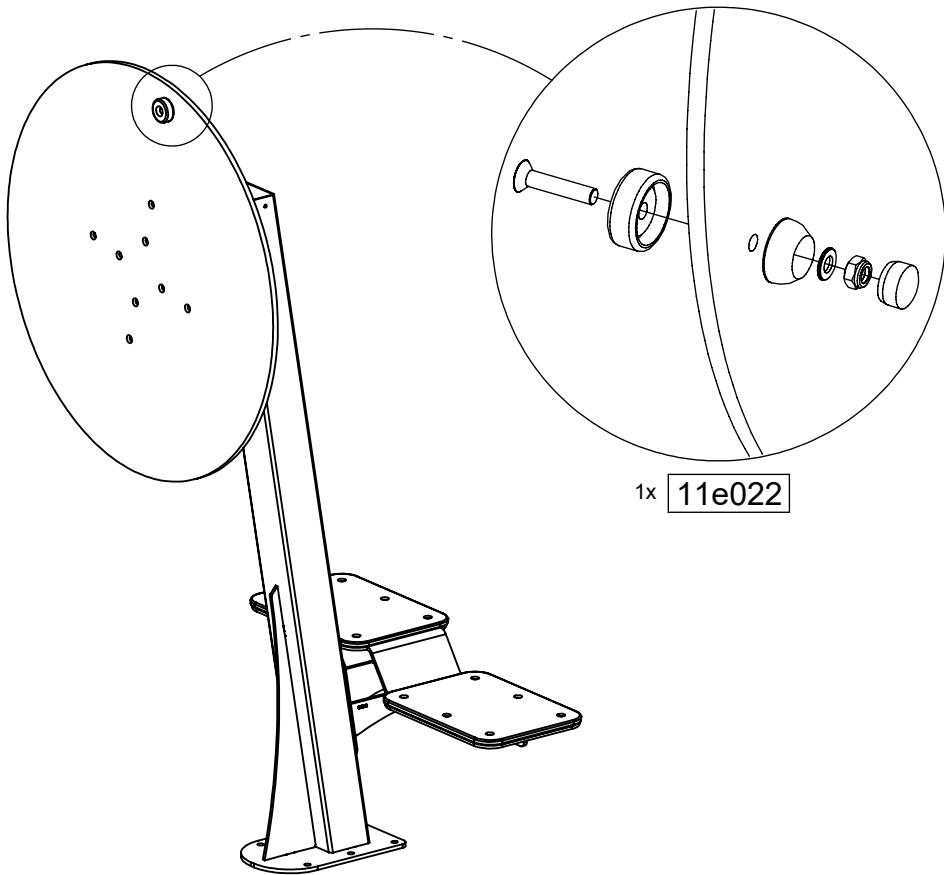
[cm]



vinci
play



1x 11e021

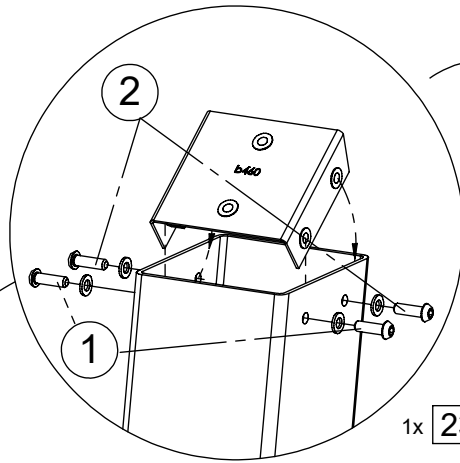


1x 11e022

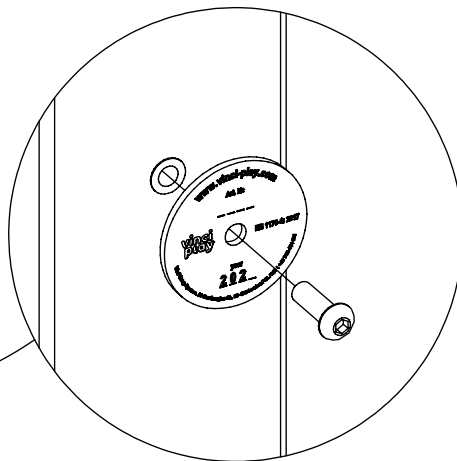
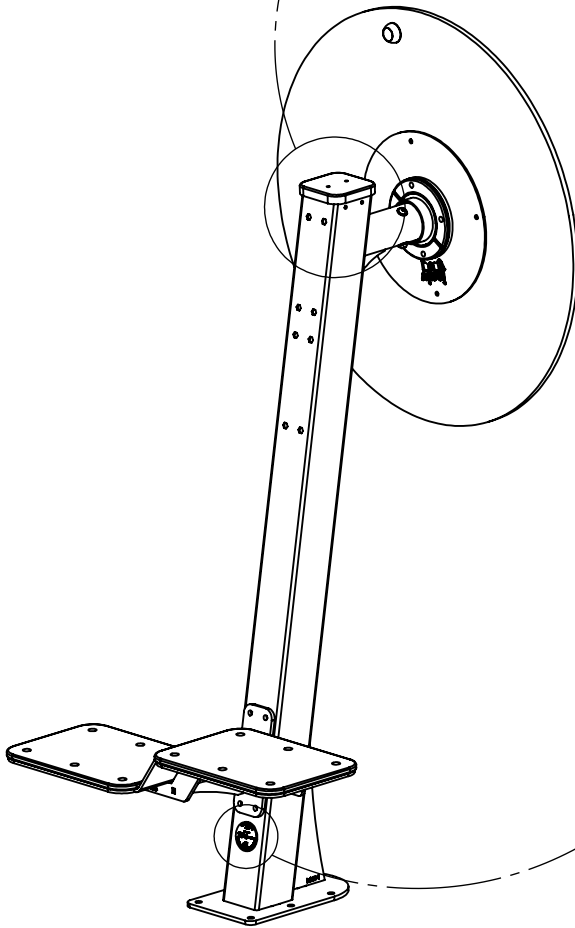
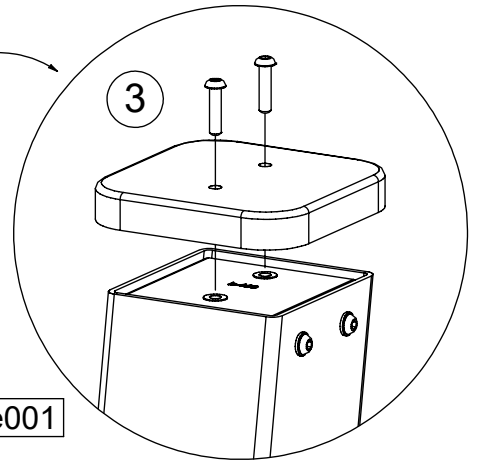
[cm]



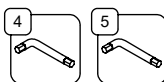
vinci
play



1x 23e001

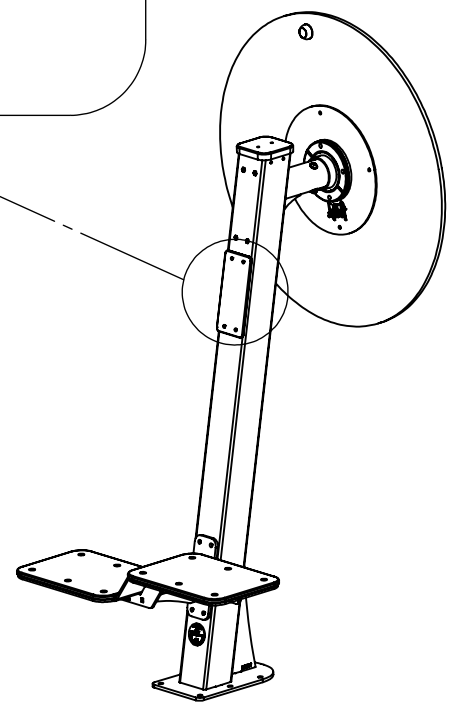
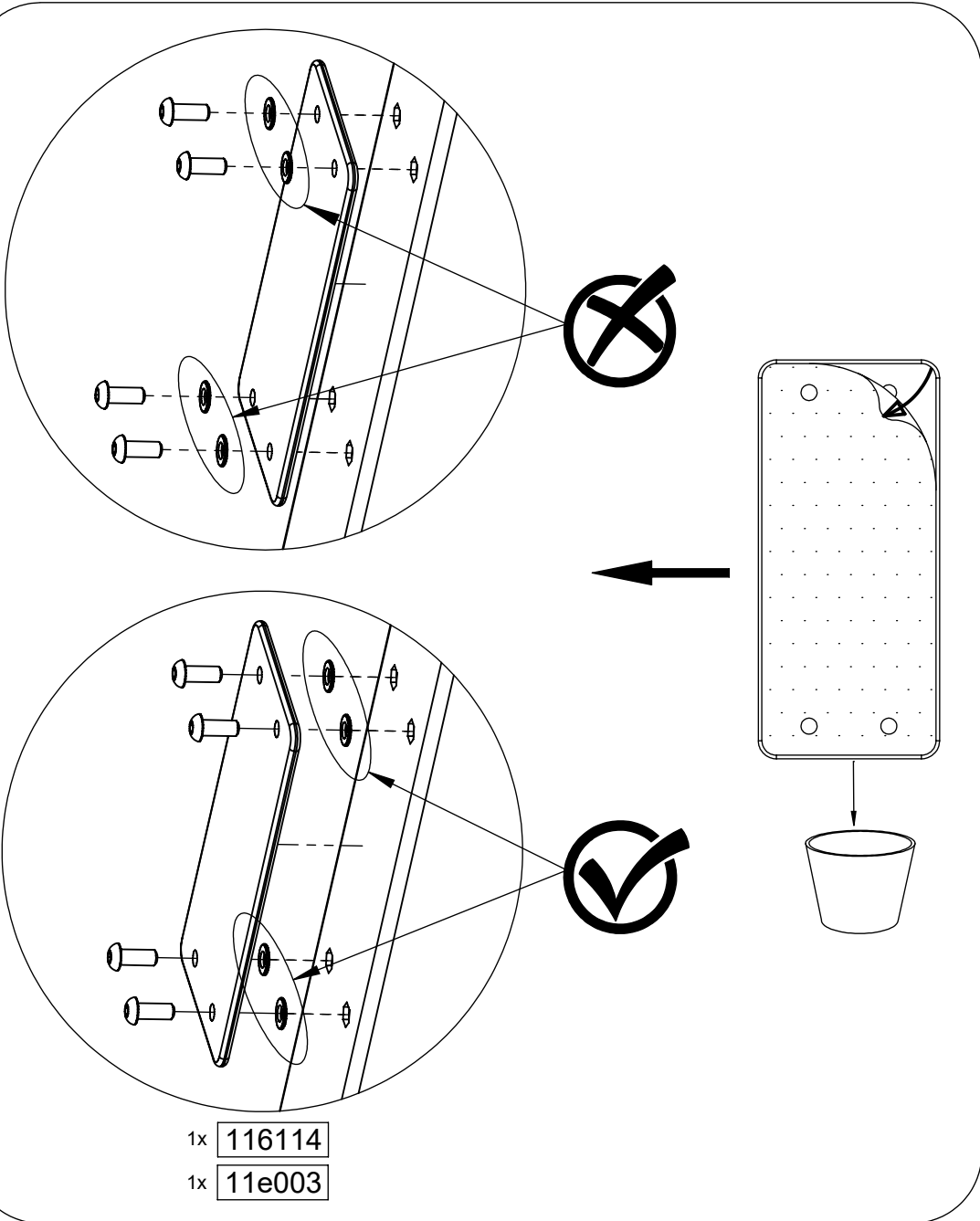


1x V003

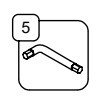


[cm]

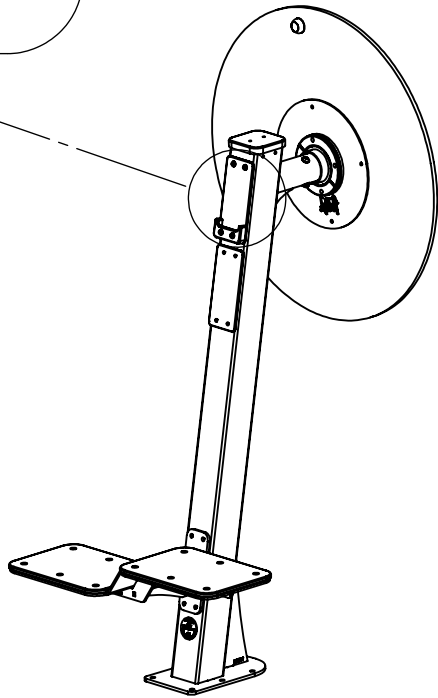
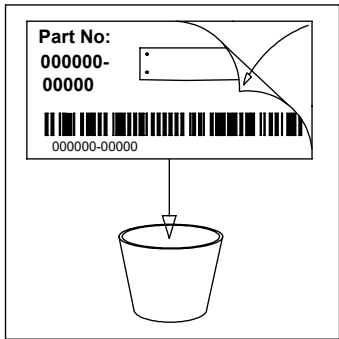
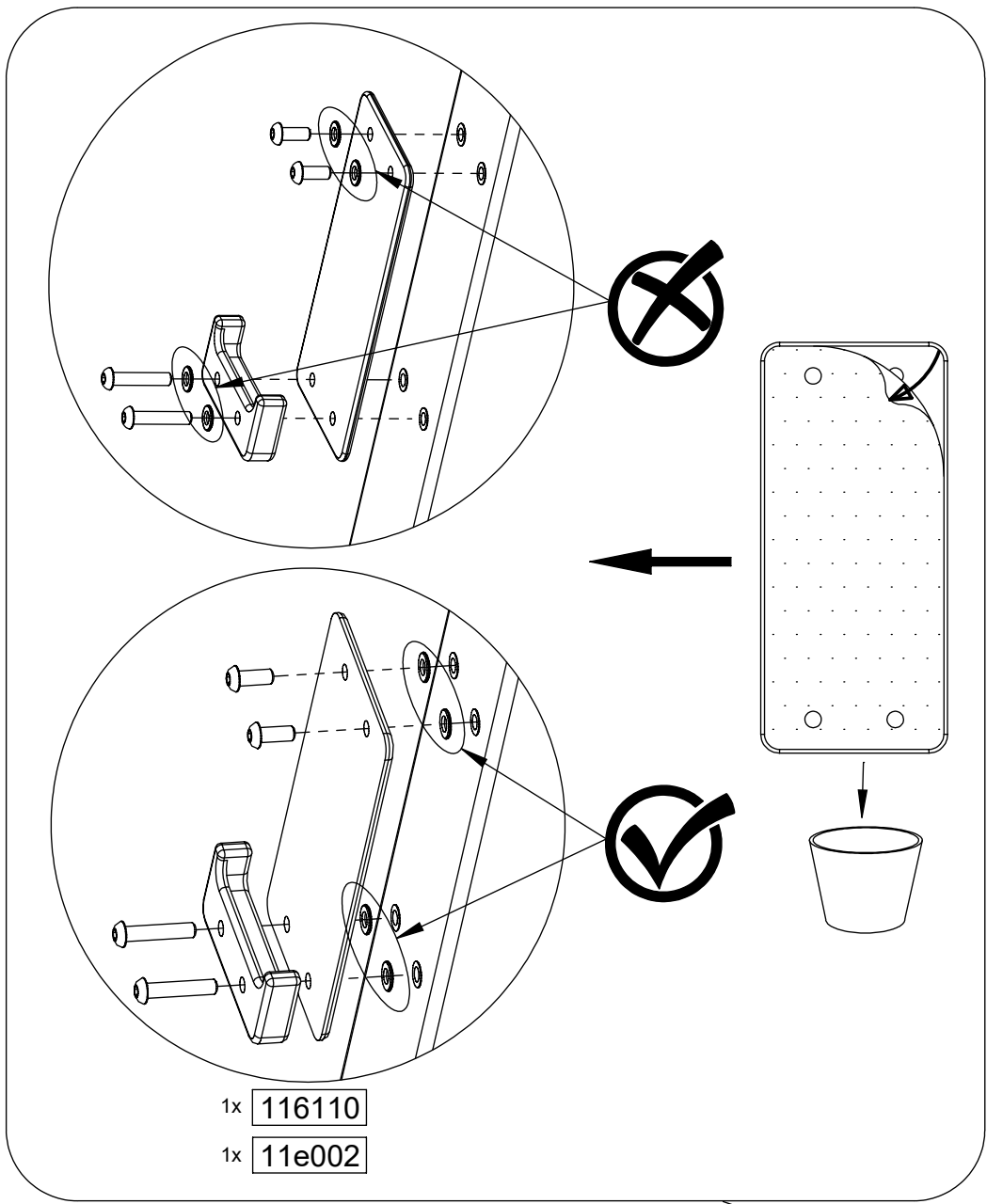
vinci
play



[cm]



vinci
play



[cm]



vinci
play