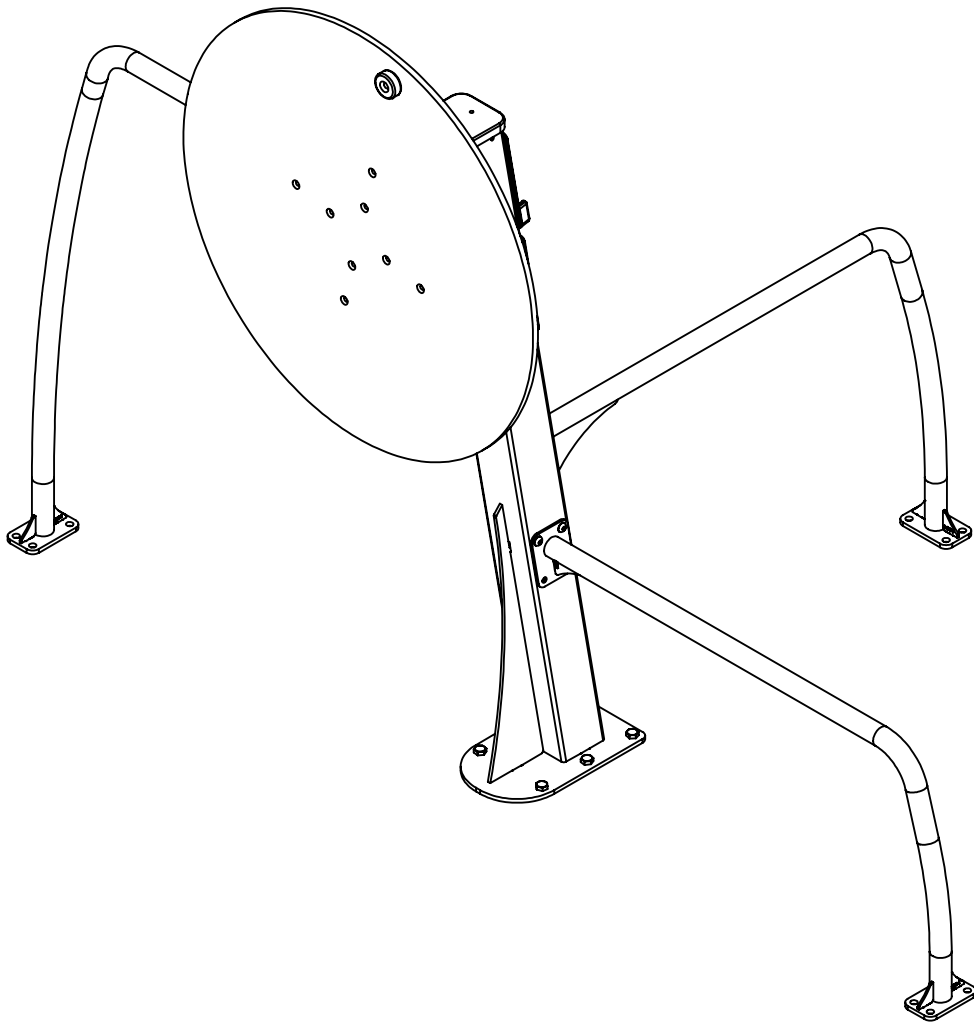
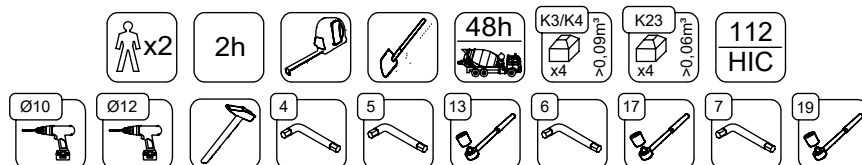


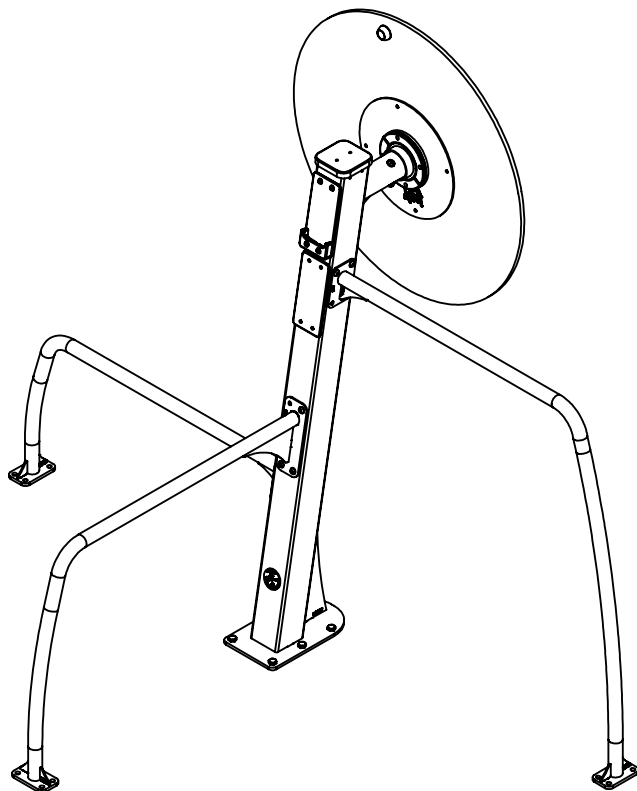
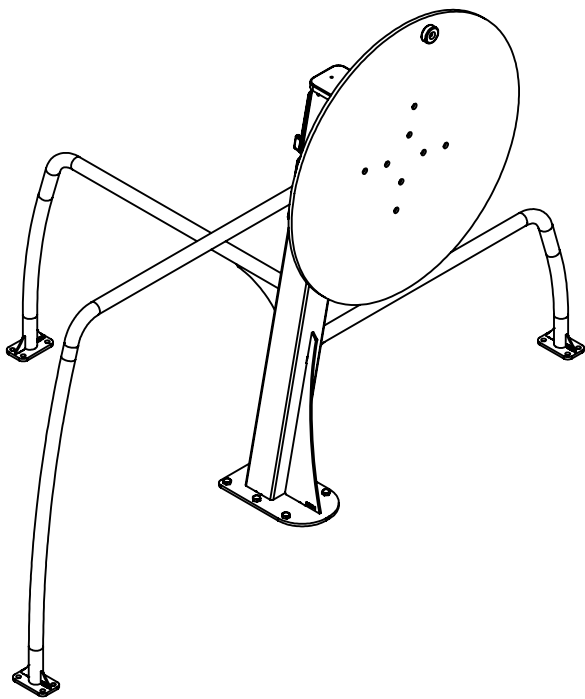
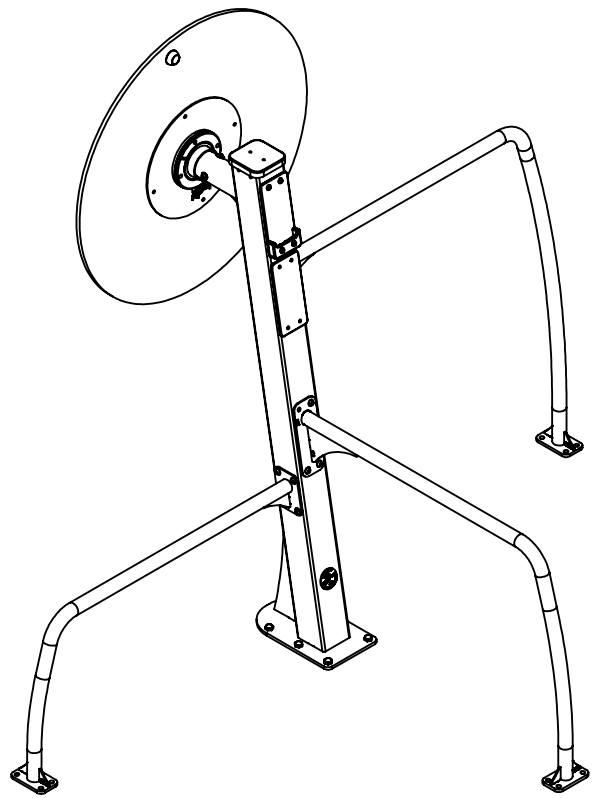
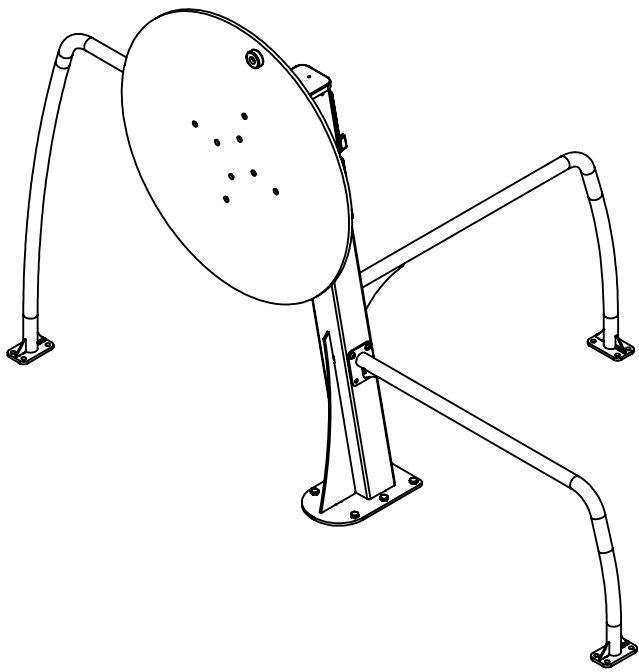
1149



v011
19.06.2023
K. M.
[cm]

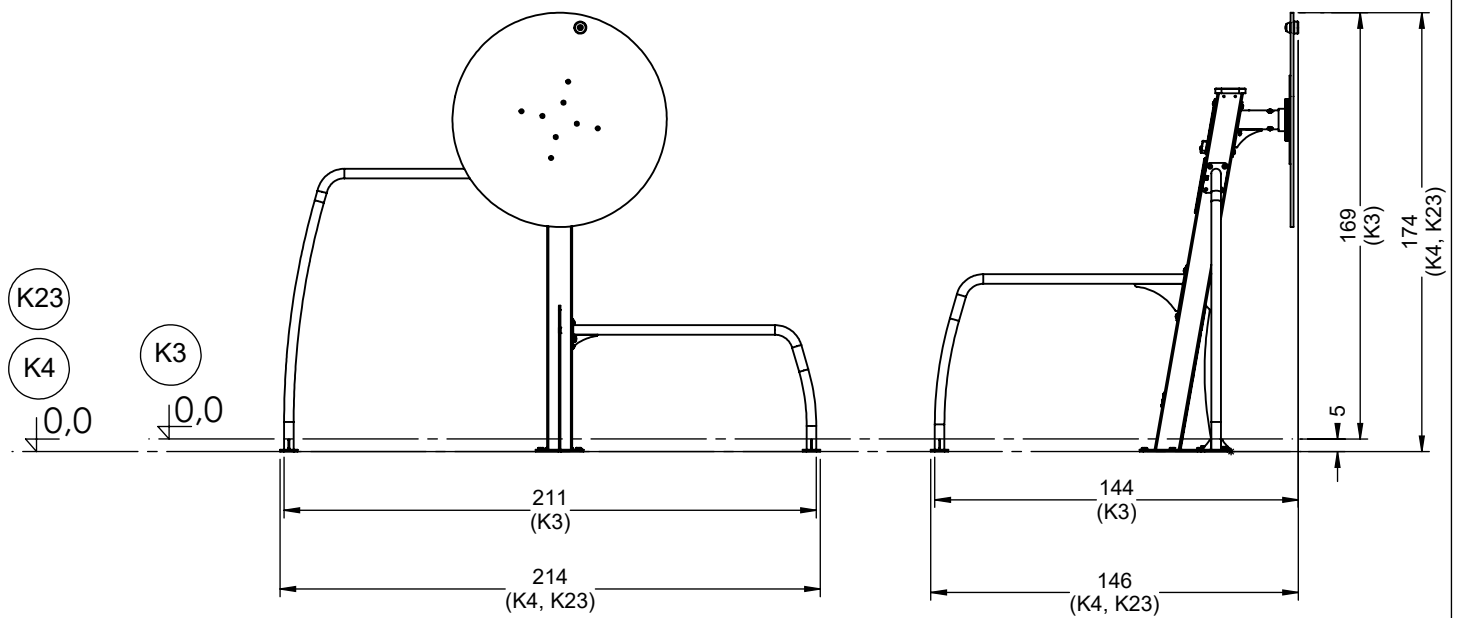


vinci
play



[cm]

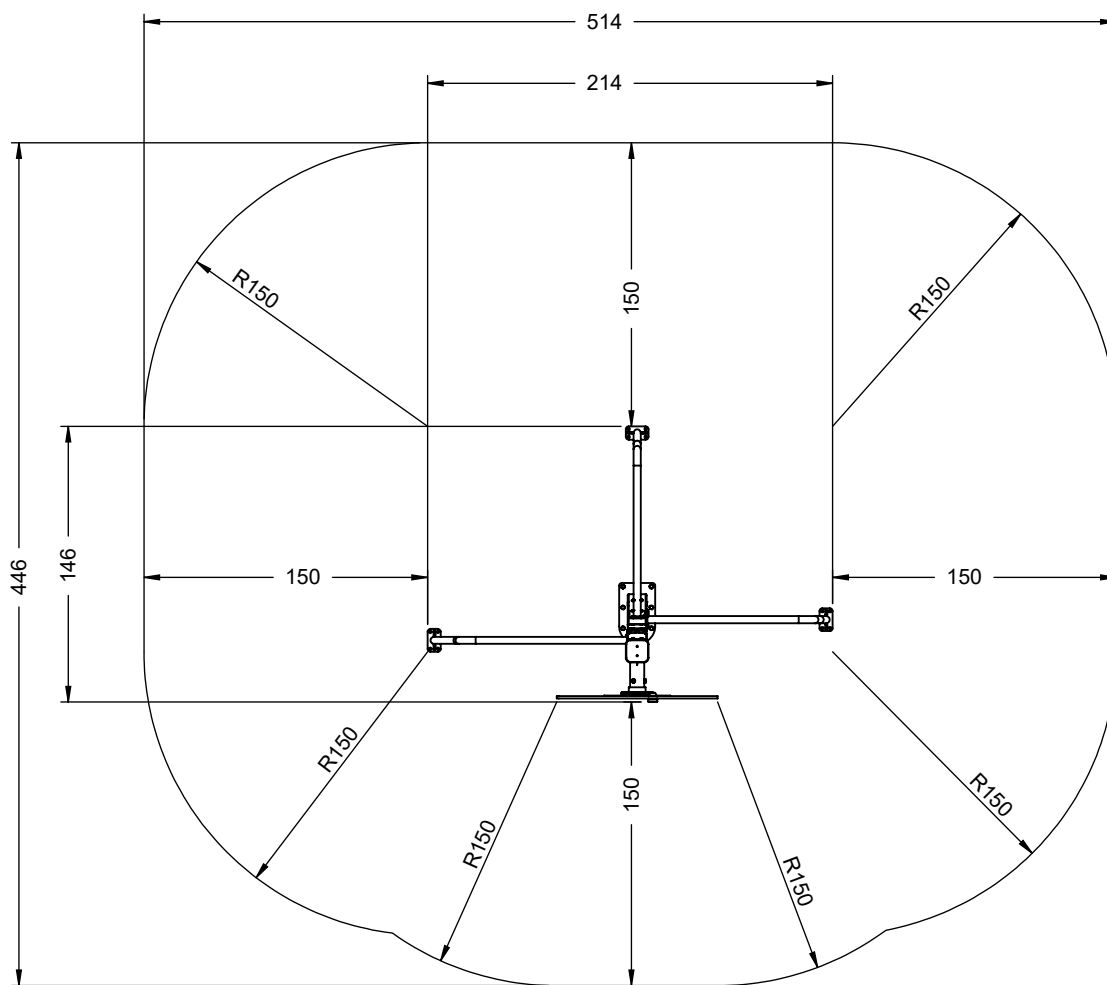
vinci
play



[cm]

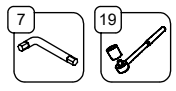
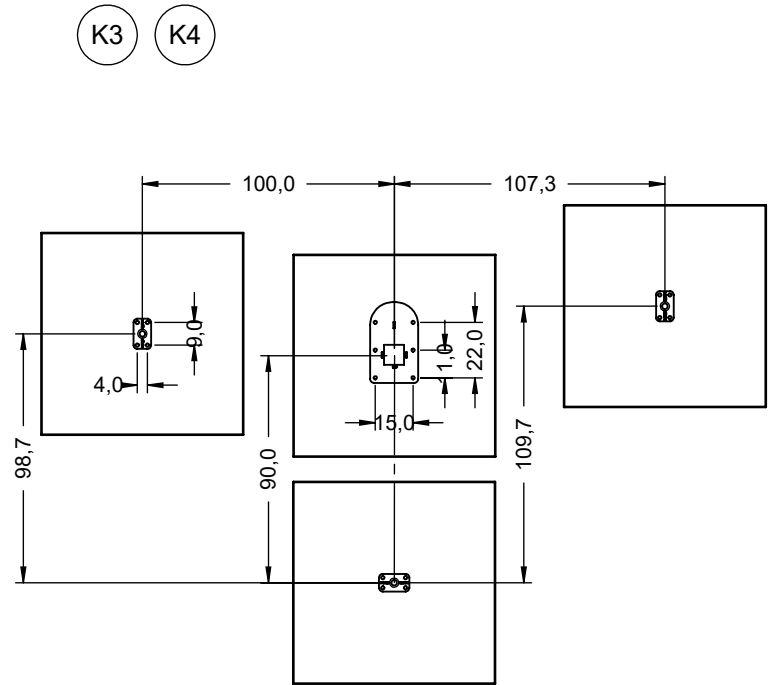
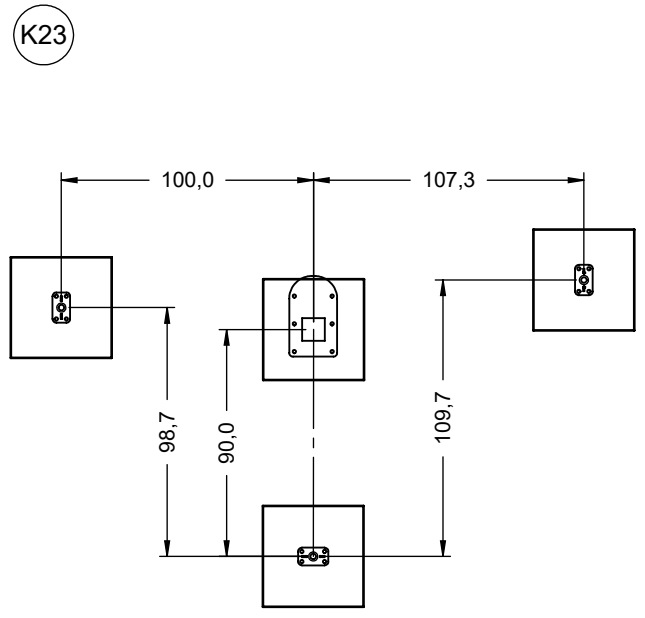
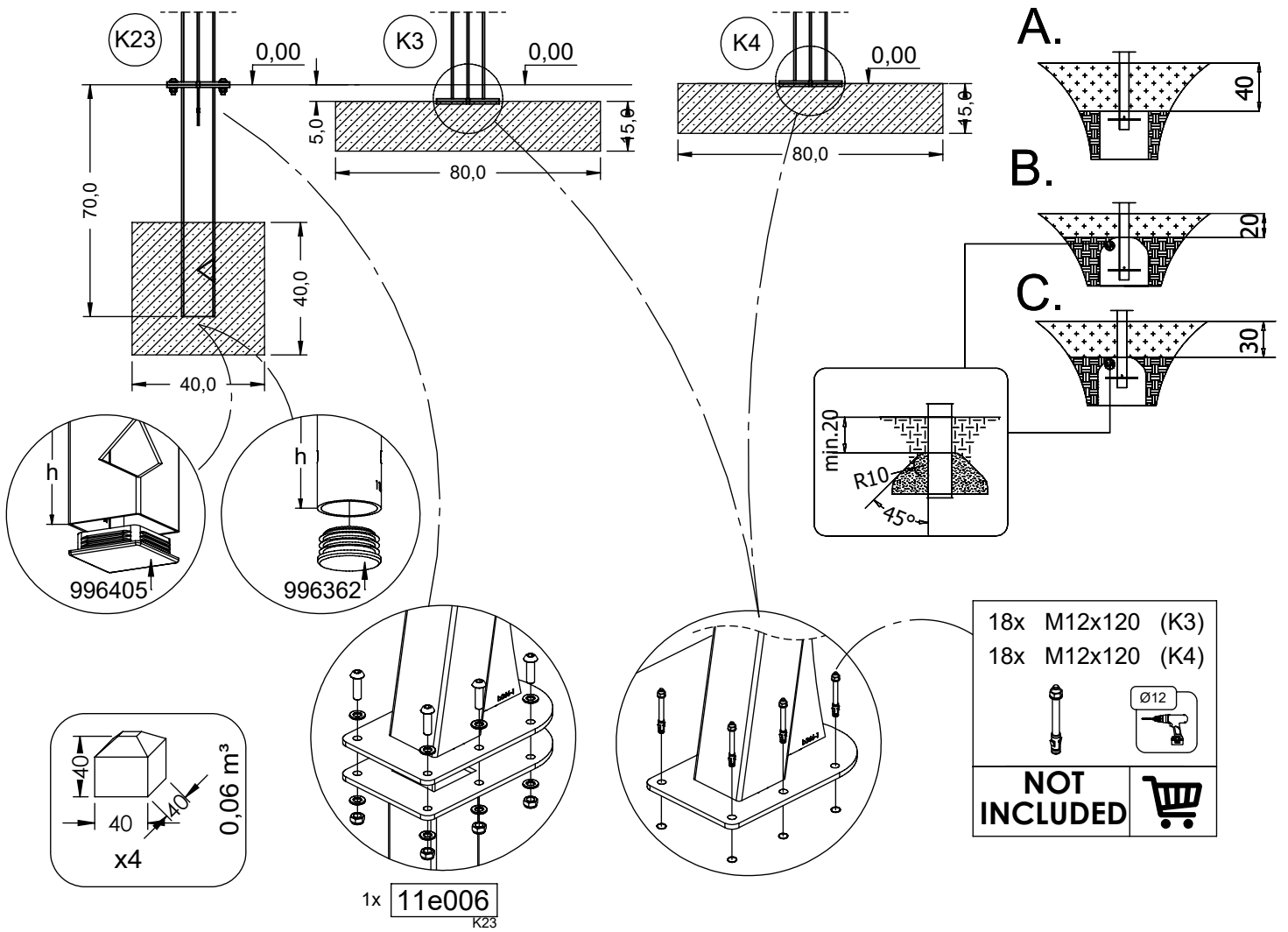


vinci
play



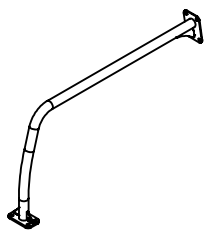
[cm]

vinci
play

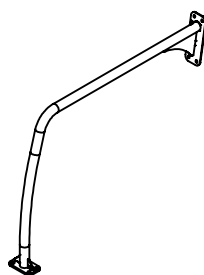


[cm]
 x2
 2h
 48h
 K3/K4
 x4 >0.09m³
 K23
 x4 >0.06m³

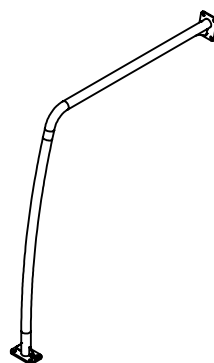
vinci play



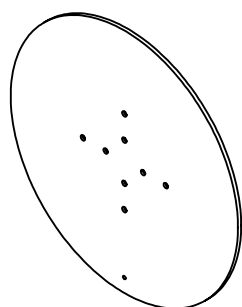
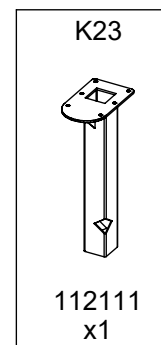
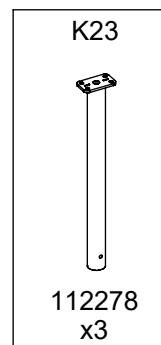
112105
112149 (inox)
x1



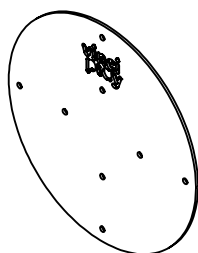
112107
112147 (inox)
x1



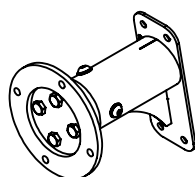
112109
112145 (inox)
x1



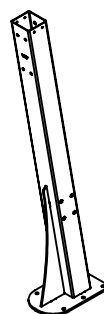
112111
x1



b465
i361 (inox)
x1

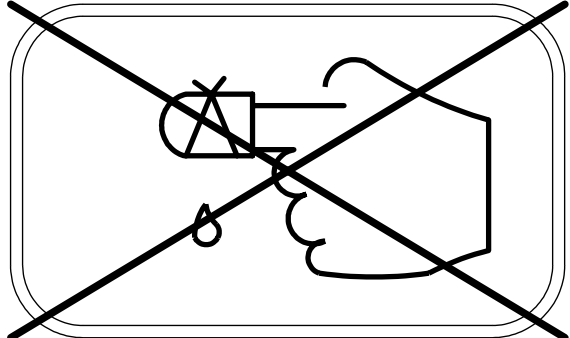
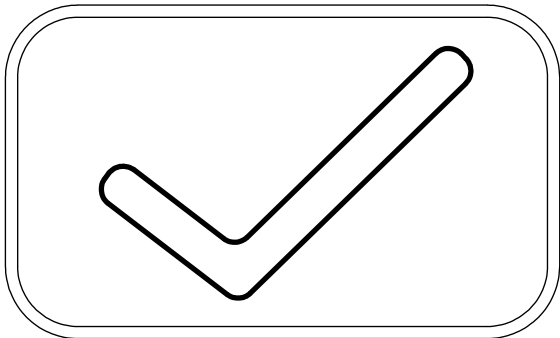
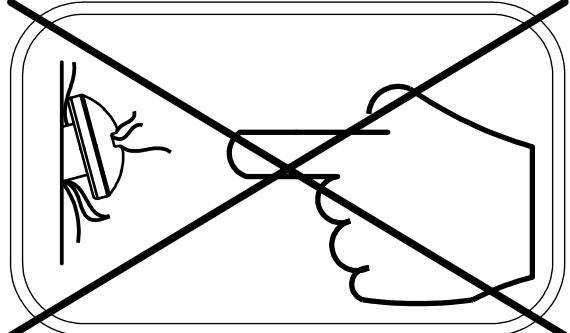
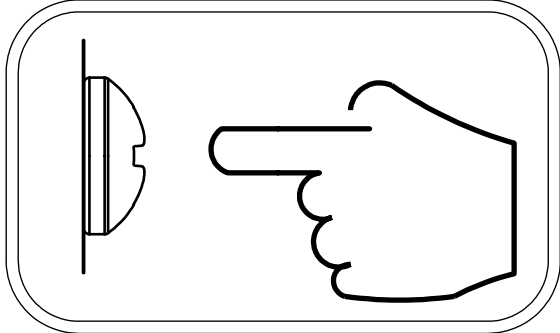
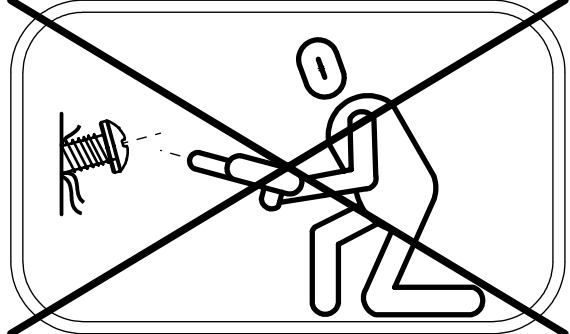
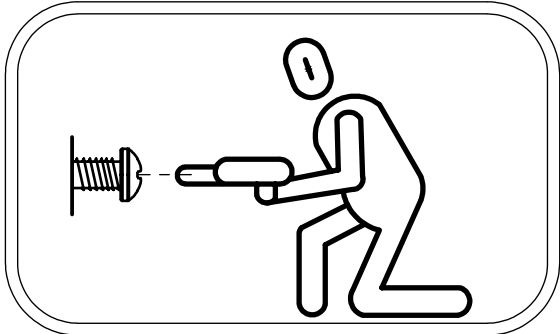


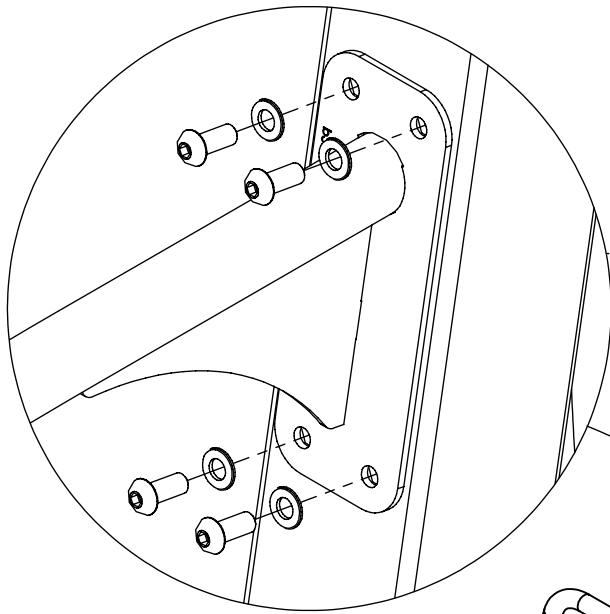
114138
114137 (inox)
x1



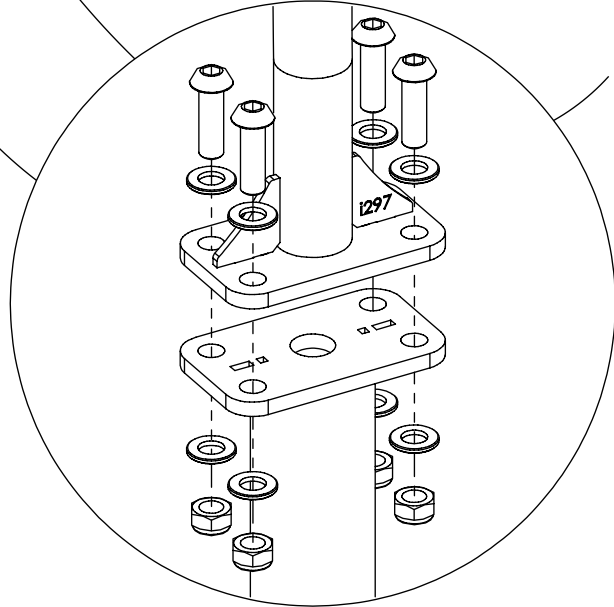
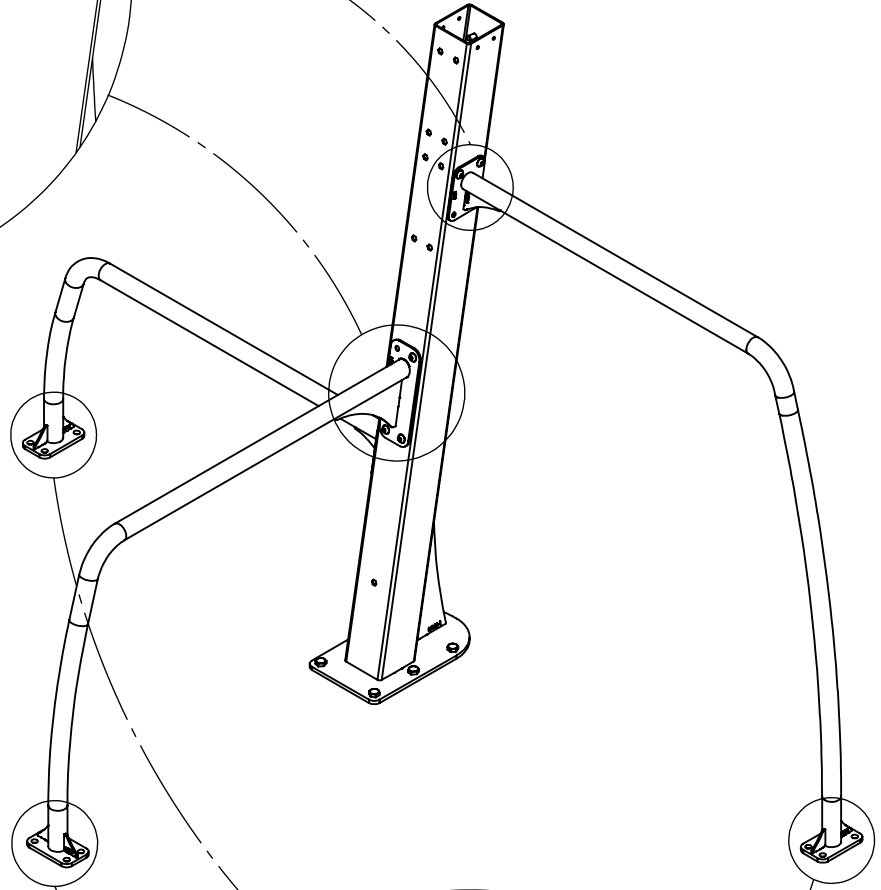
112227
112228 (inox)
x1

ST/INOX	
996362 (K23)	3x
996405 (K23)	1x
11e019 (K23)	1x
11e006 (K23)	1x
23e001	1x
11e003	2x
11e004	1x
11e008	3x
11e021	1x
11e022	1x
116210	1x
116213	1x
V003	1x





3x 11e008

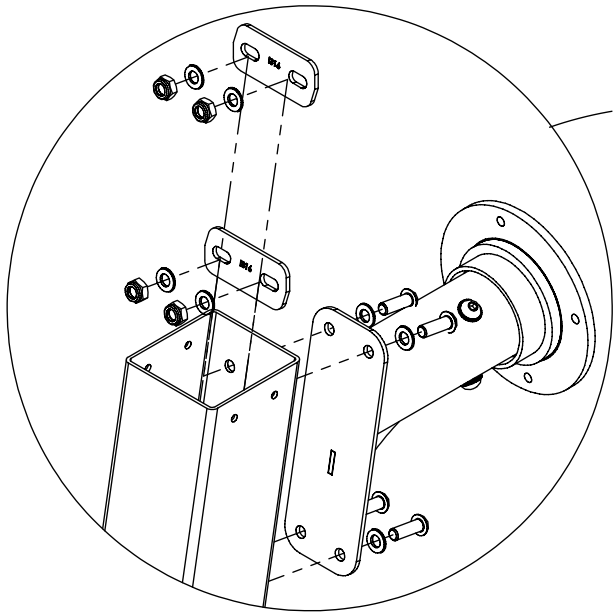


3x 11e019
K23

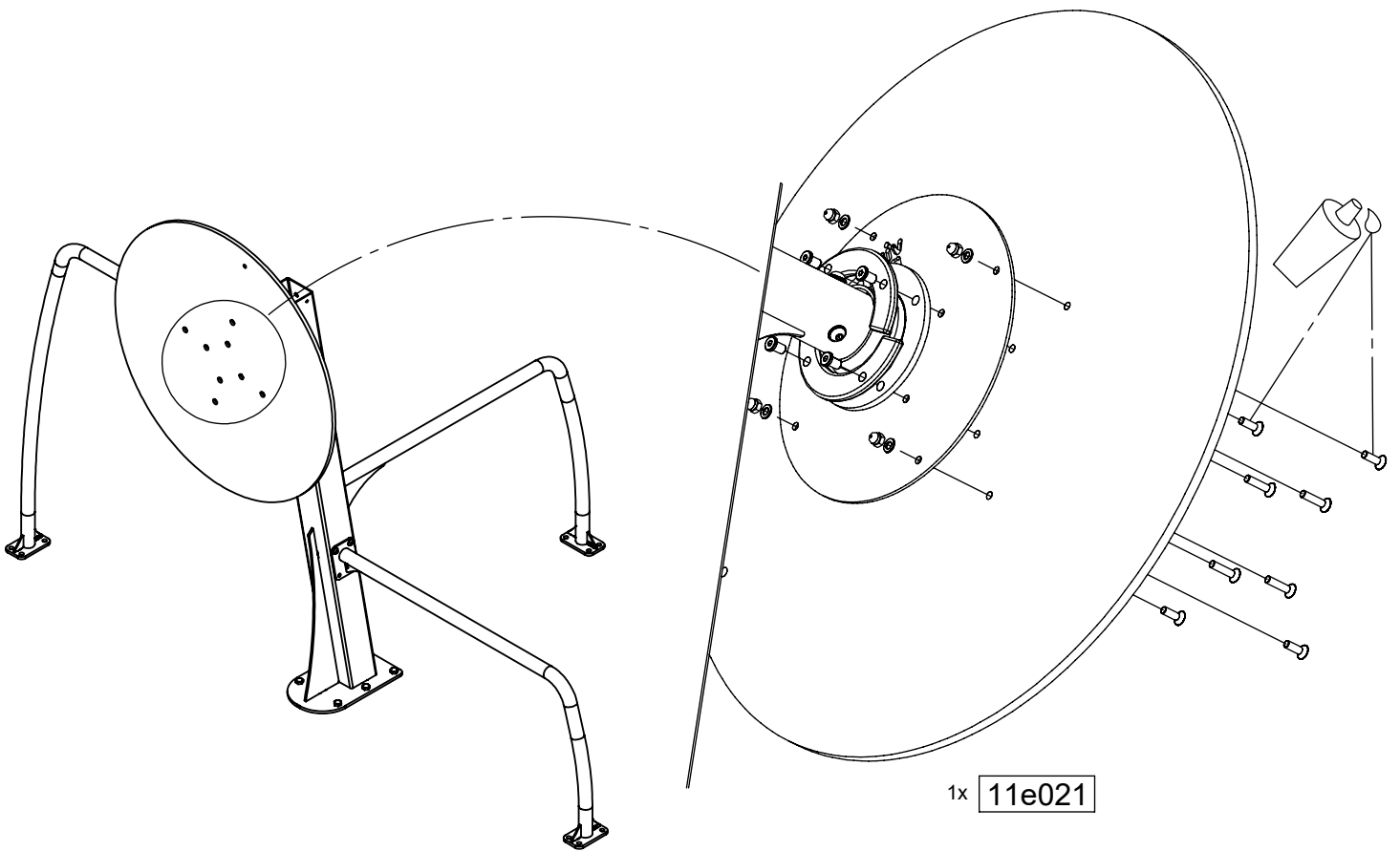
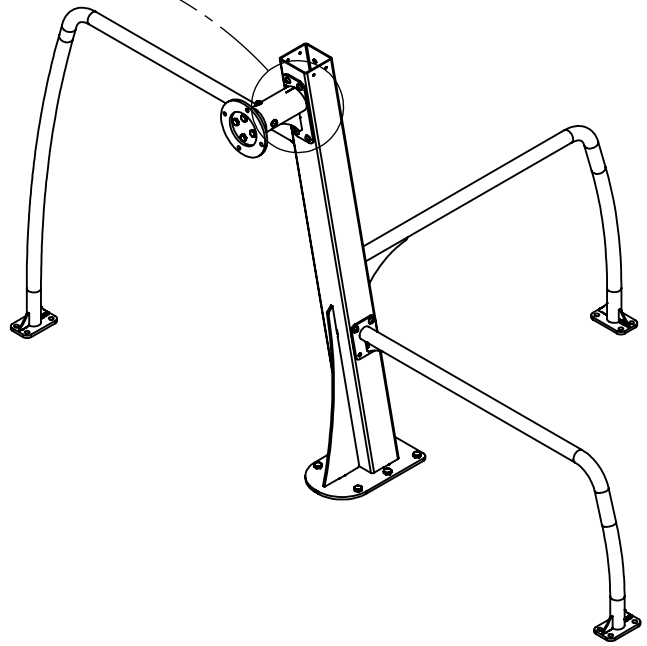


[cm]

vinci
play



1x 11e004

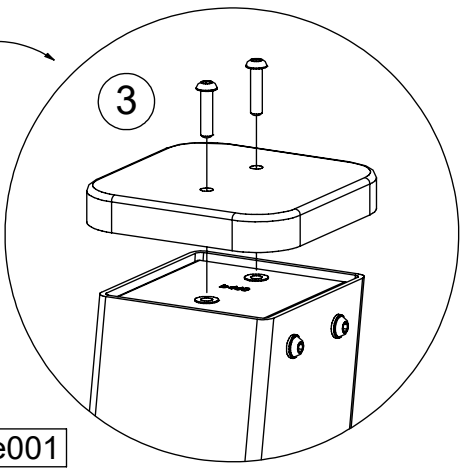
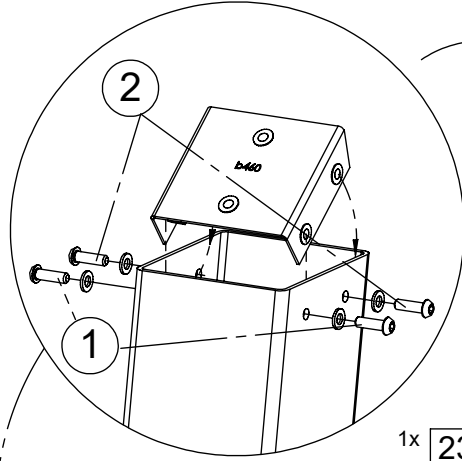


1x 11e021

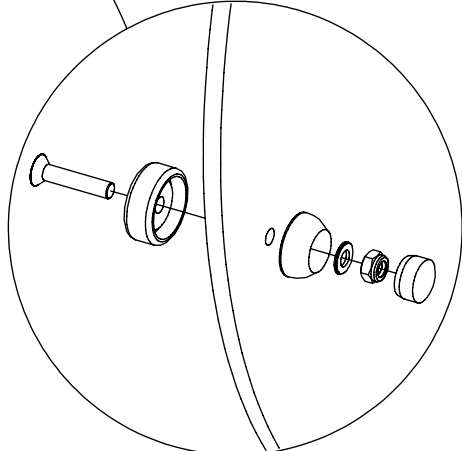
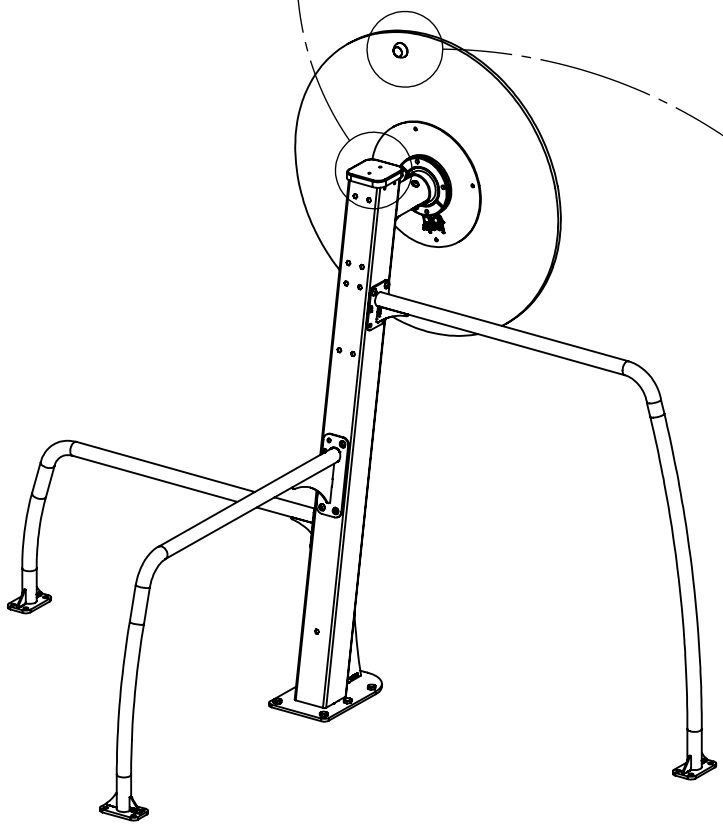
[cm]



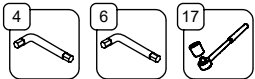
vinci
play



1x 23e001

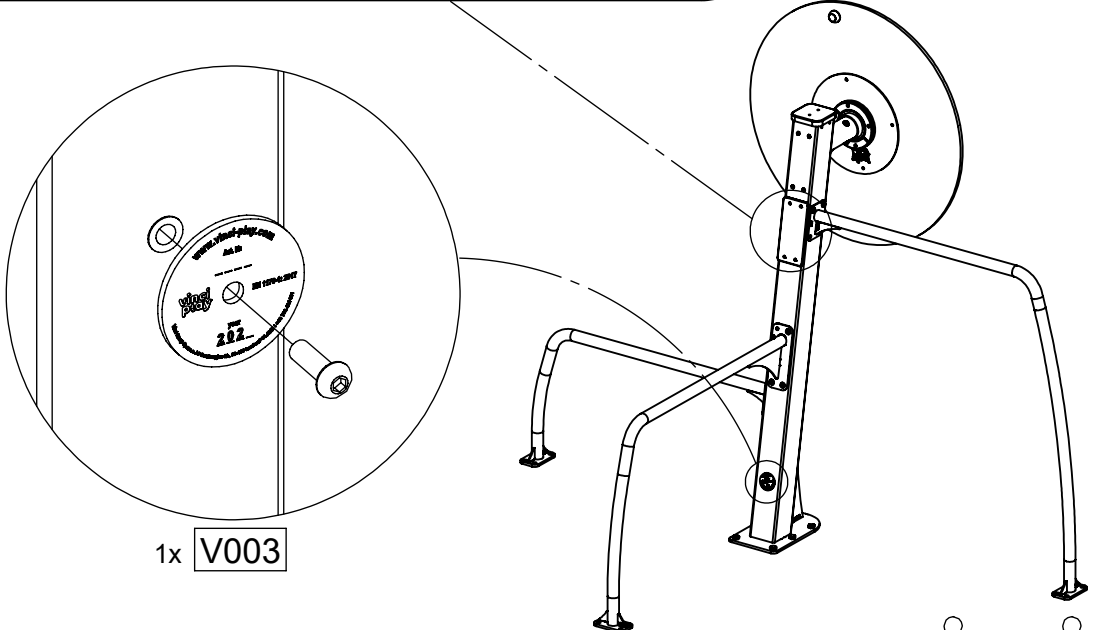
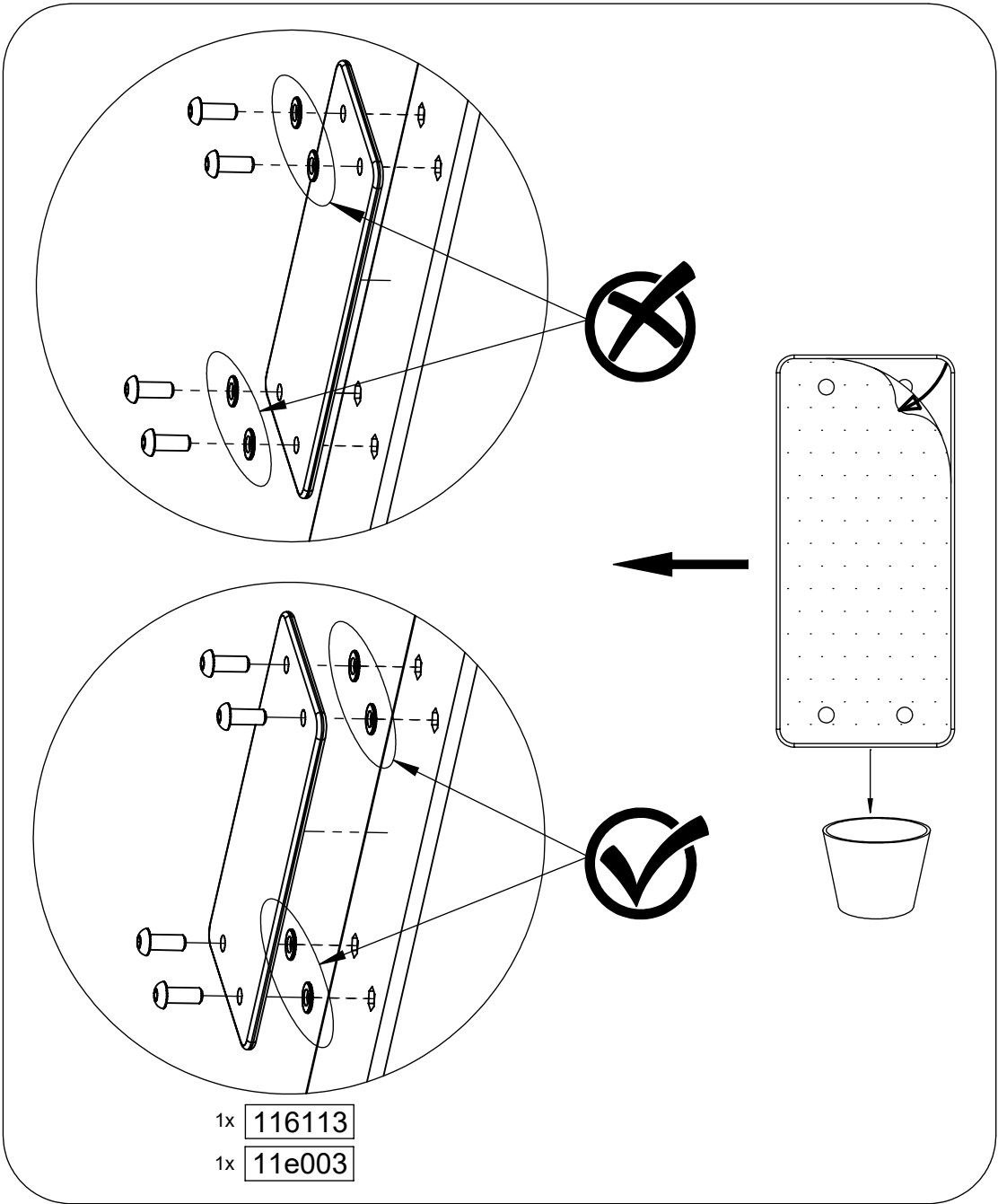


1x 11e022



[cm]

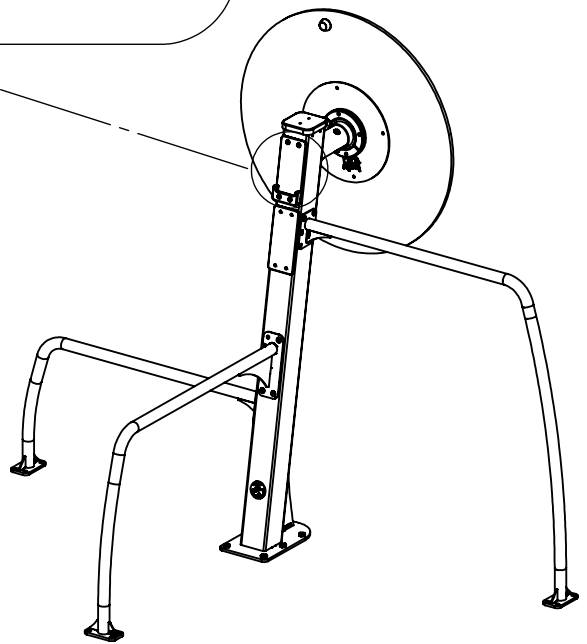
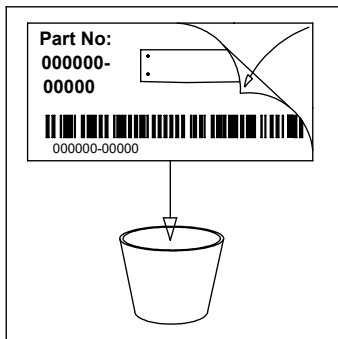
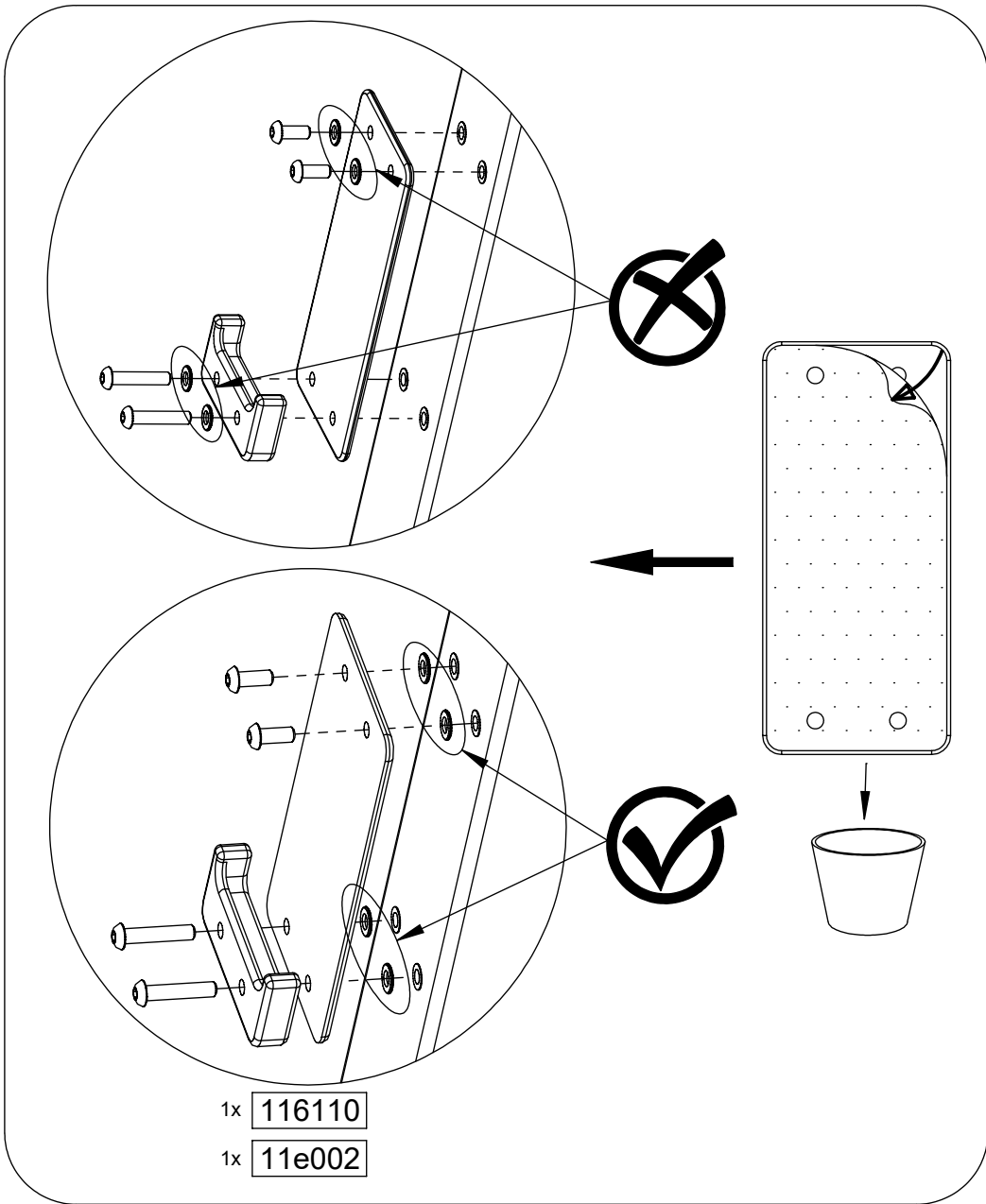
vinci
play



[cm]



vinci
play



[cm]



vinci
play