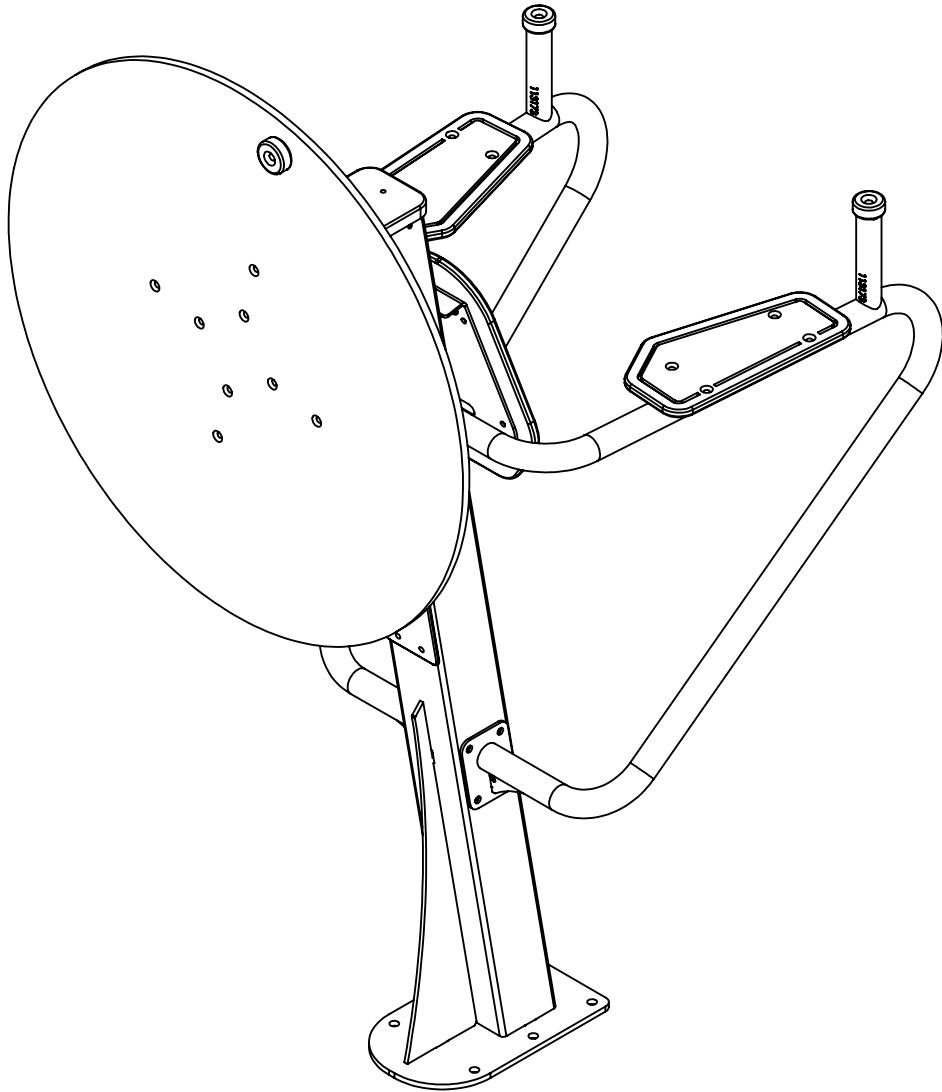
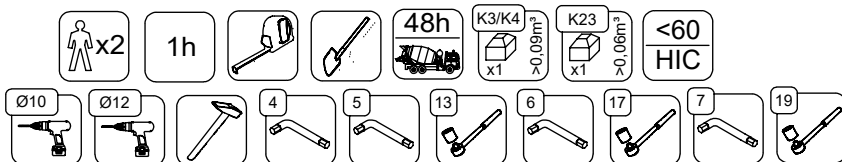


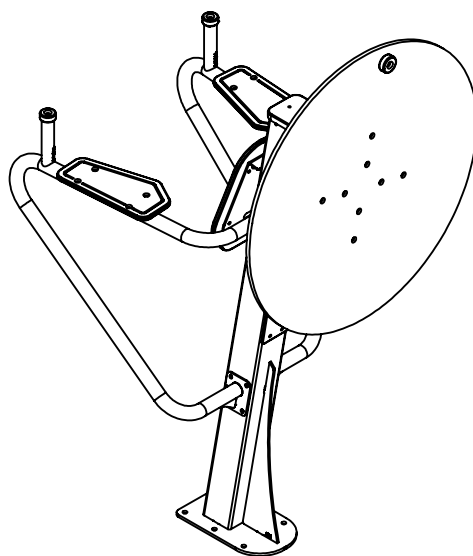
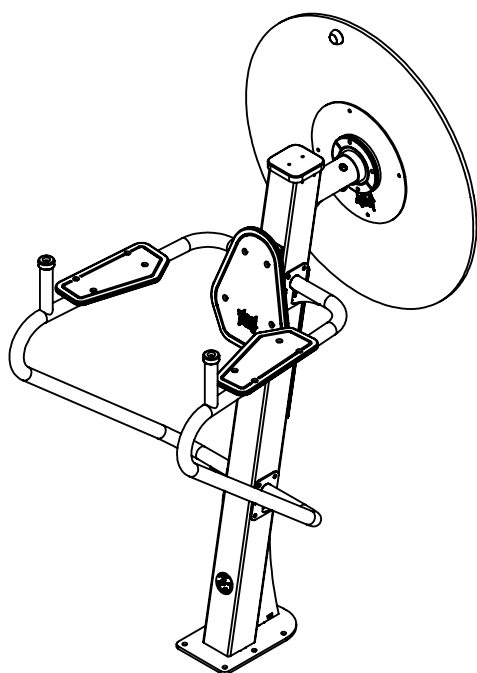
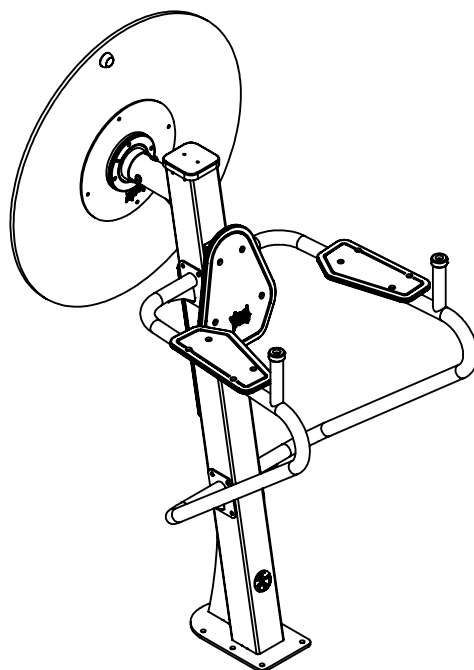
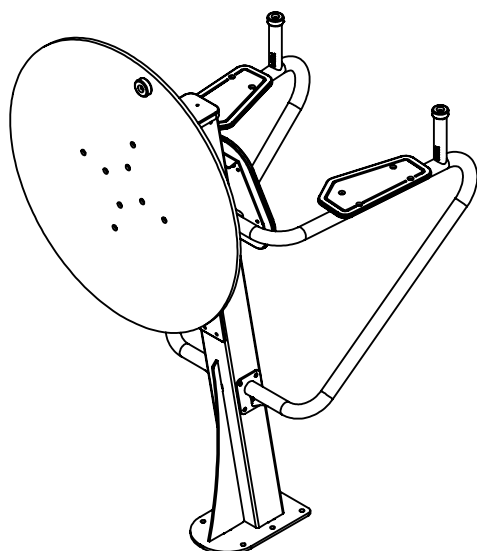
1148

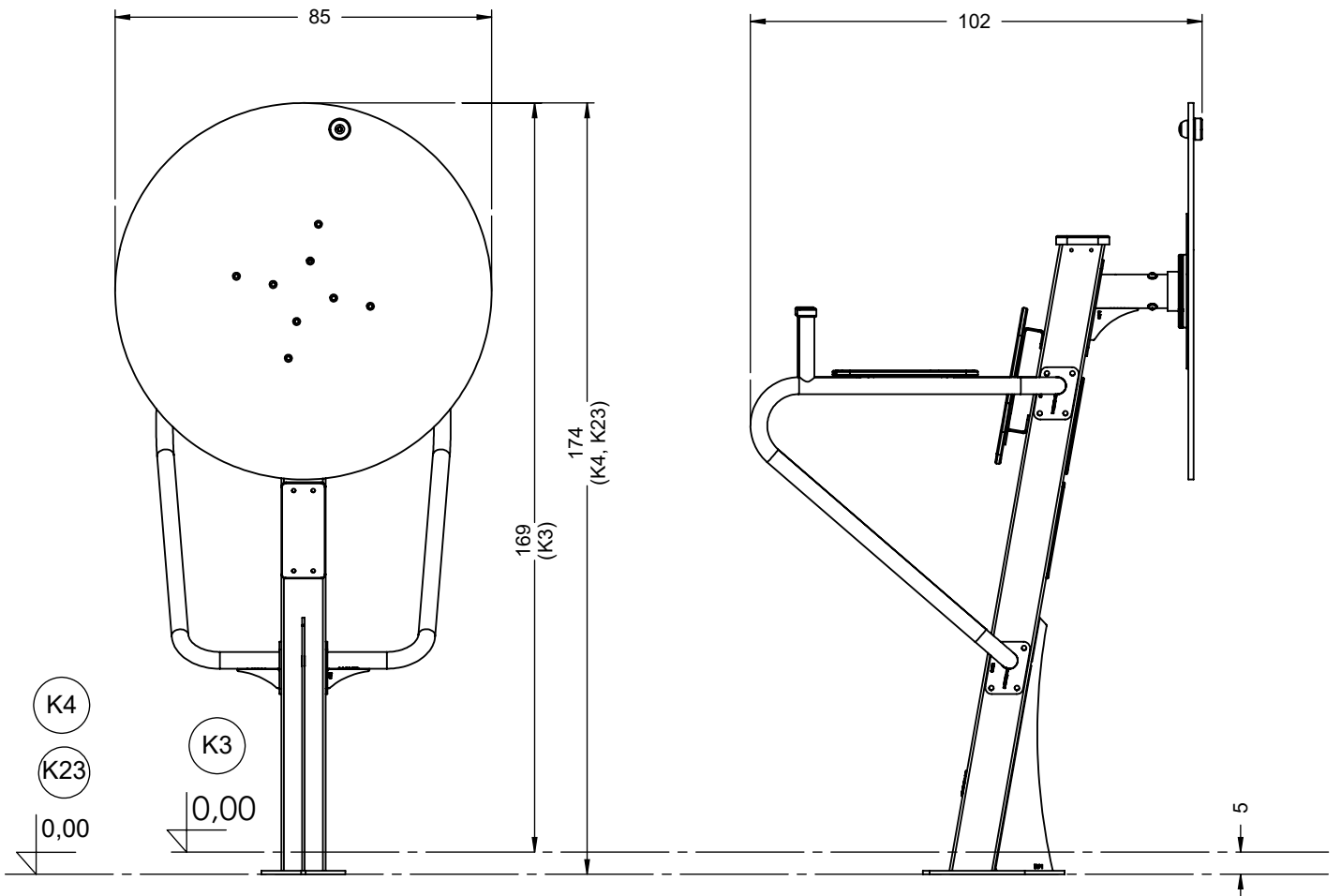


v012
19.06.2023
K. M.
[cm]



vinci
play

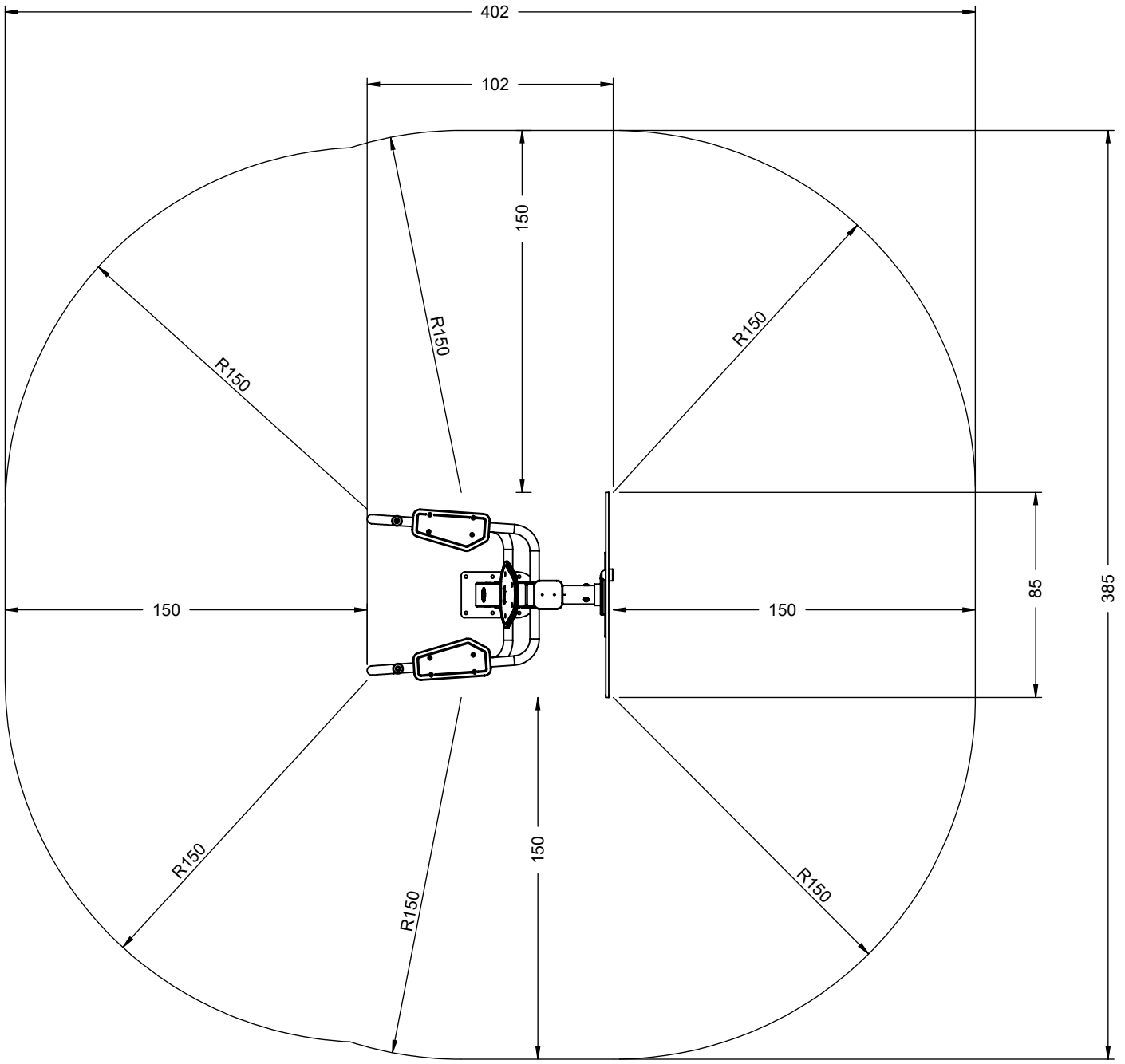




[cm]

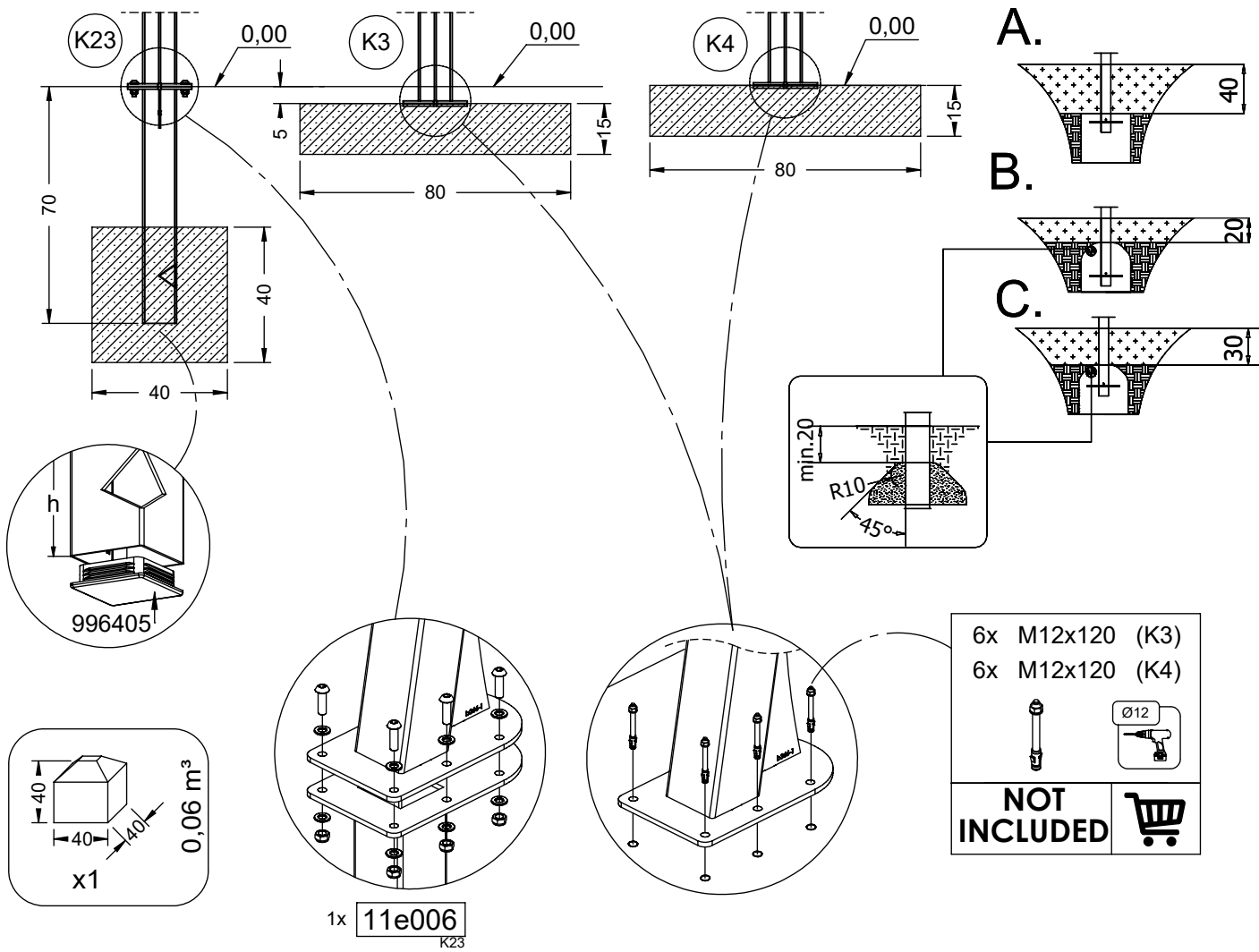


vinci
play

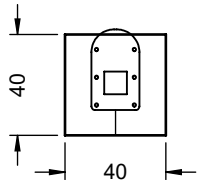


[cm]

vinci
play

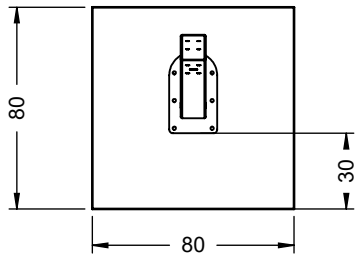


K23



K3

K4

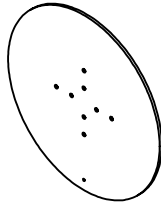
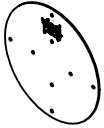
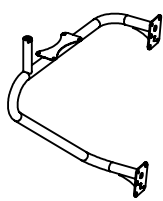
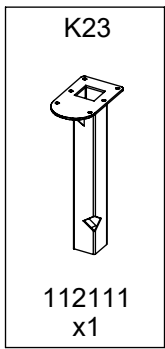


[cm]

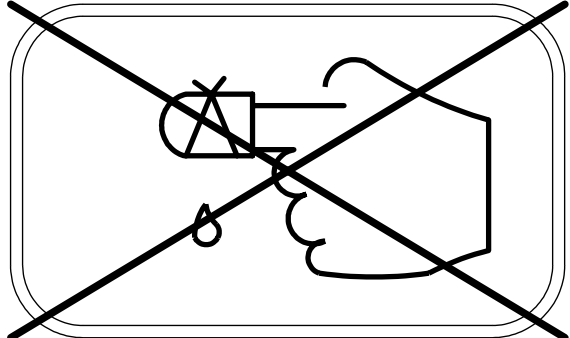
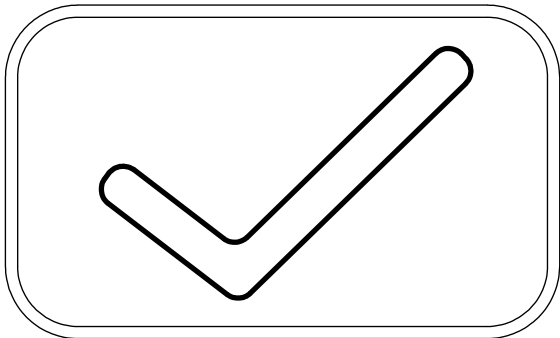
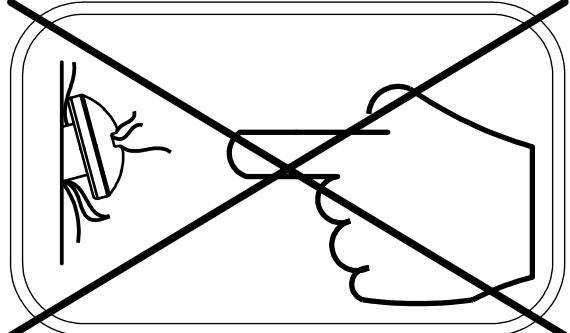
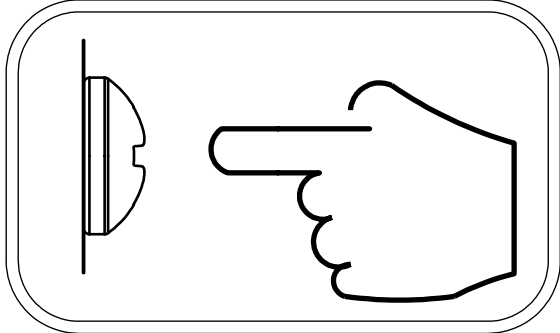
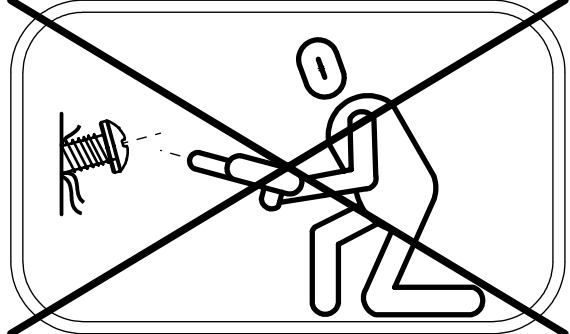
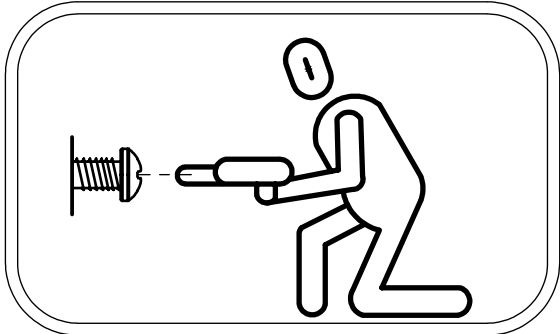
x2
 1h

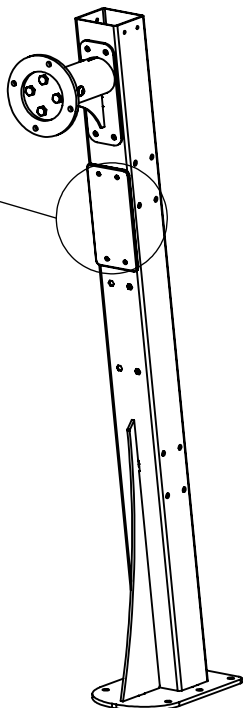
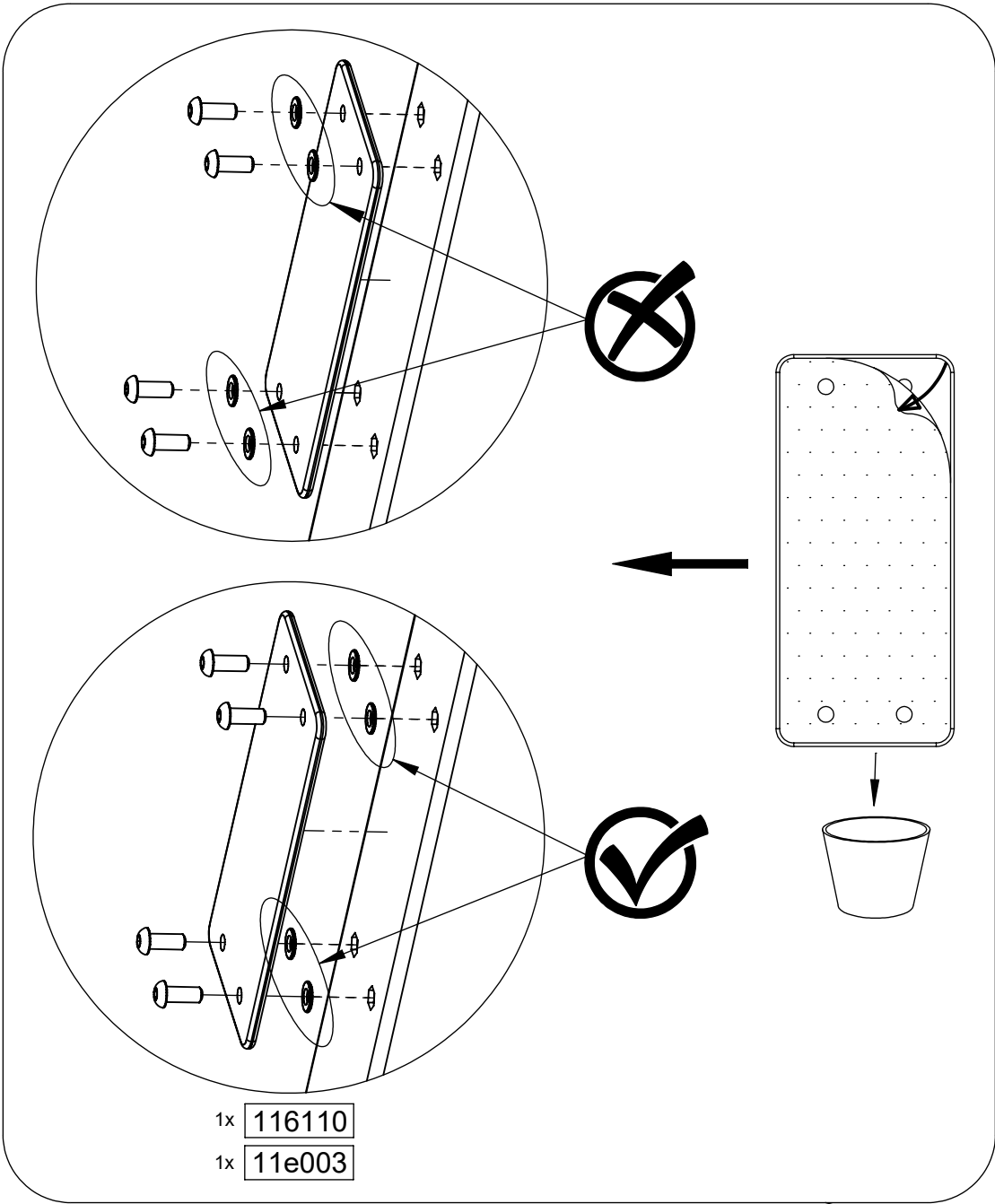
 48h
 K3/K4 x1 >0,09m³
 K23 x1 >0,06m³

vinci play

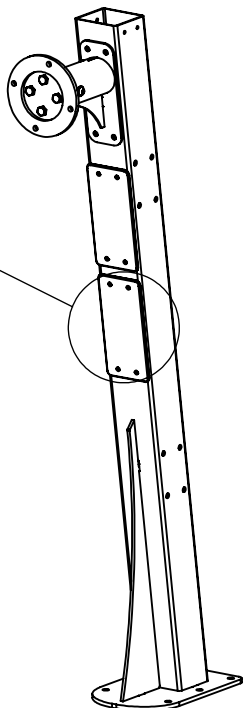
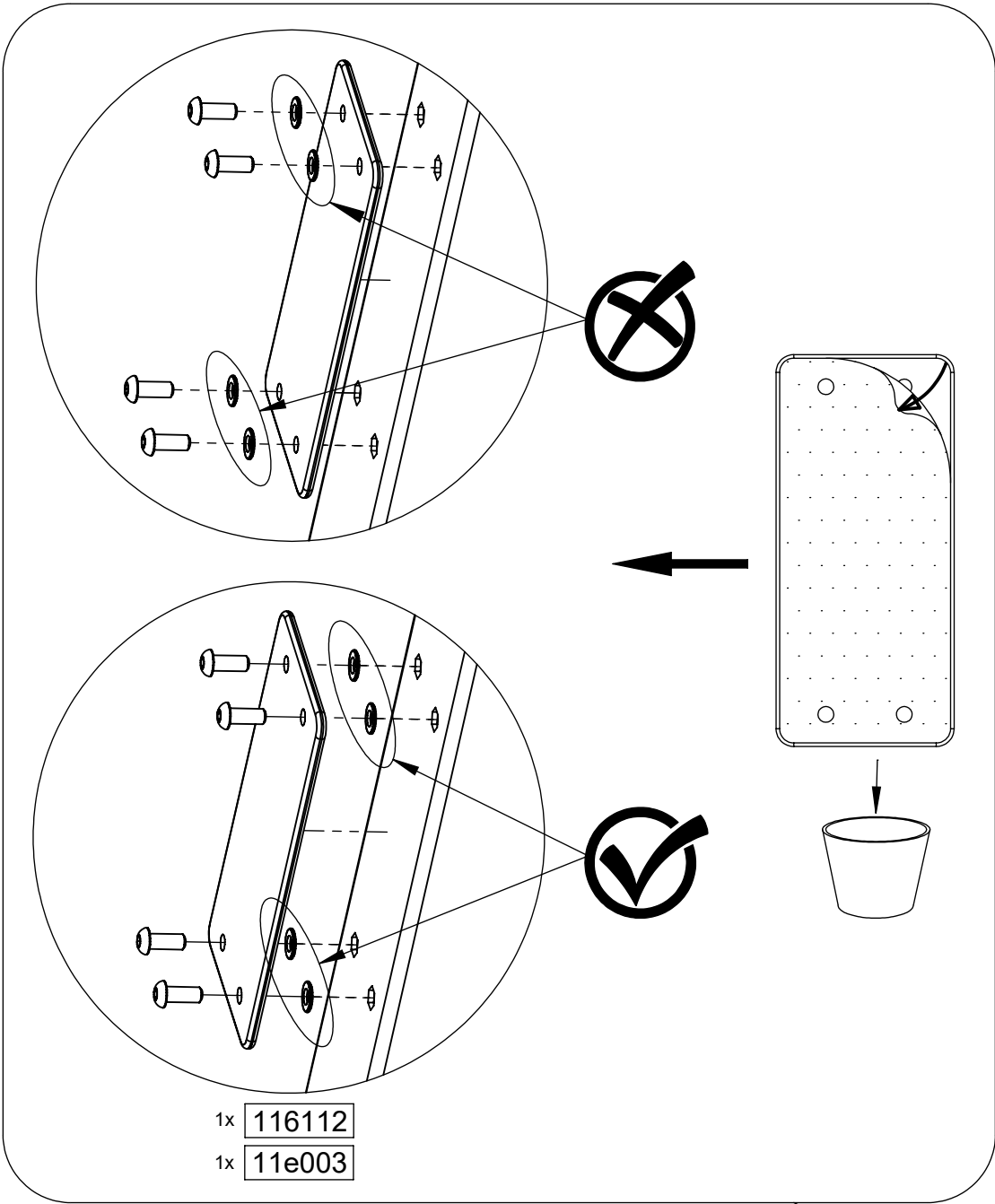


ST/INOX	
1x	996405 (K23)
1x	11e006 (K23)
3x	11e004
1x	11e021
1x	11e022
2x	11e003
1x	116110
1x	116112
1x	11e005
1x	11e024
1x	11e008
2x	11e009
1x	11e023
1x	23e001
1x	V003

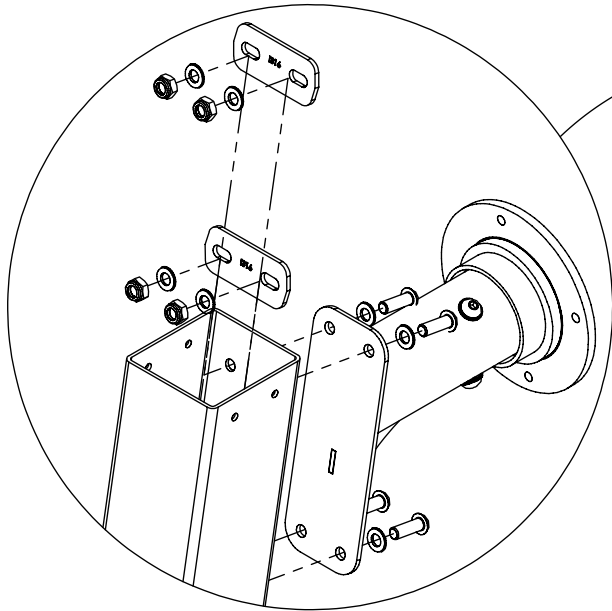




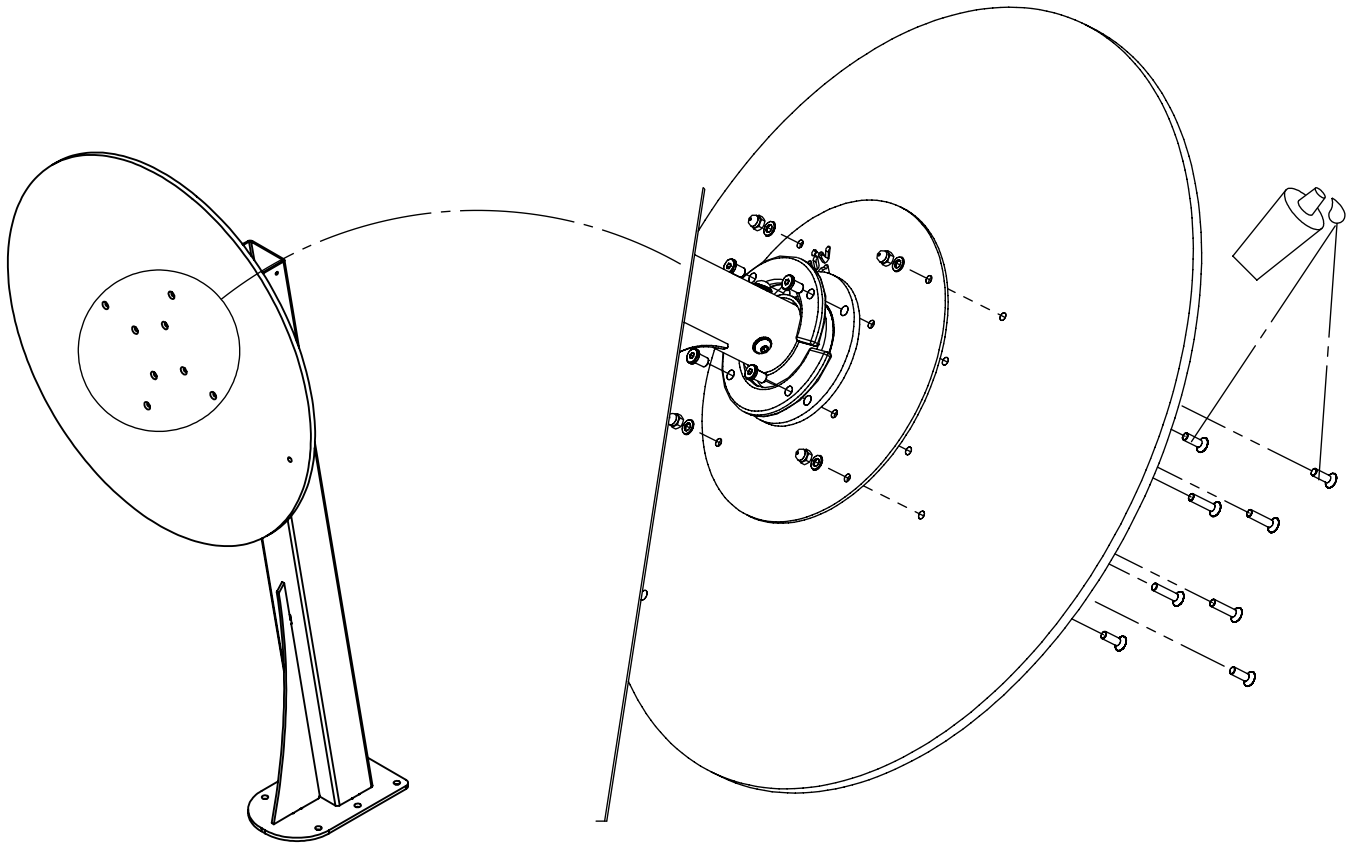
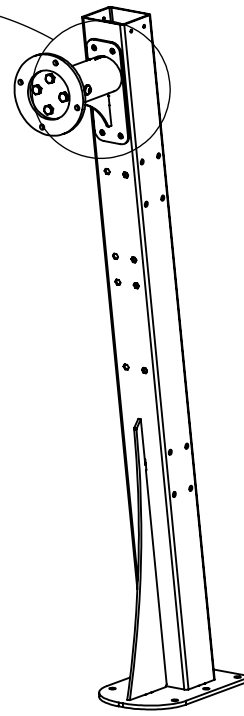
vinci
play



vinci
play



1x 11e004

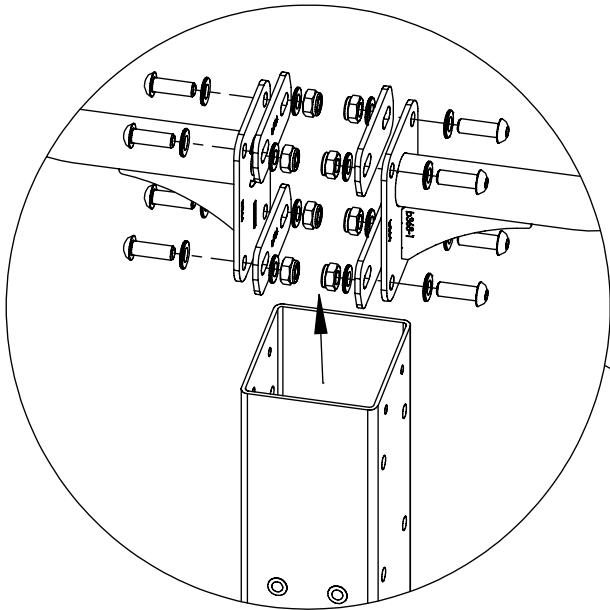


1x 11e021

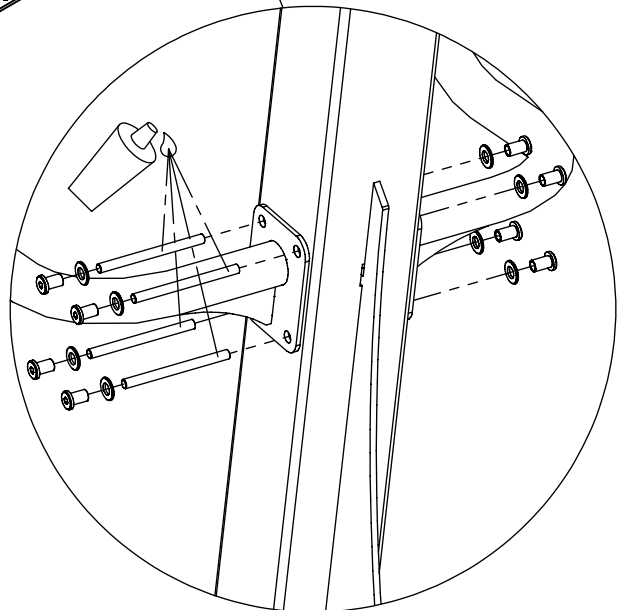
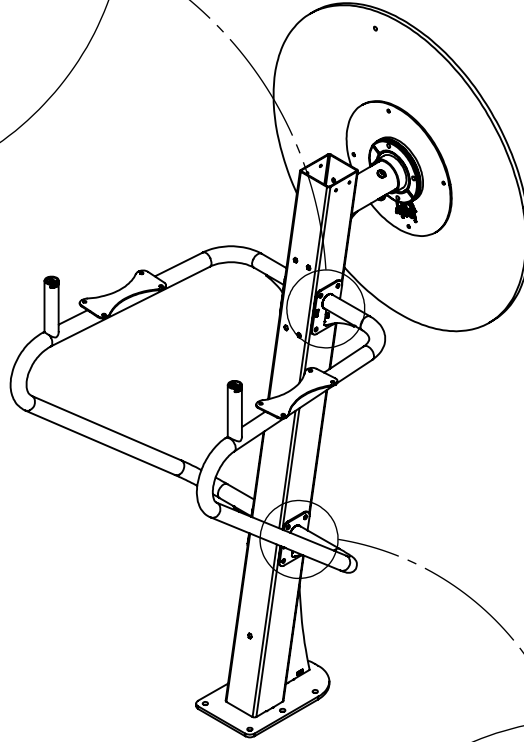


[cm]

vinci
play



2x 11e004

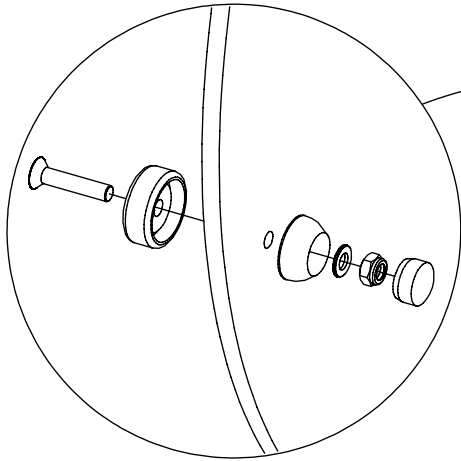


1x 11e005

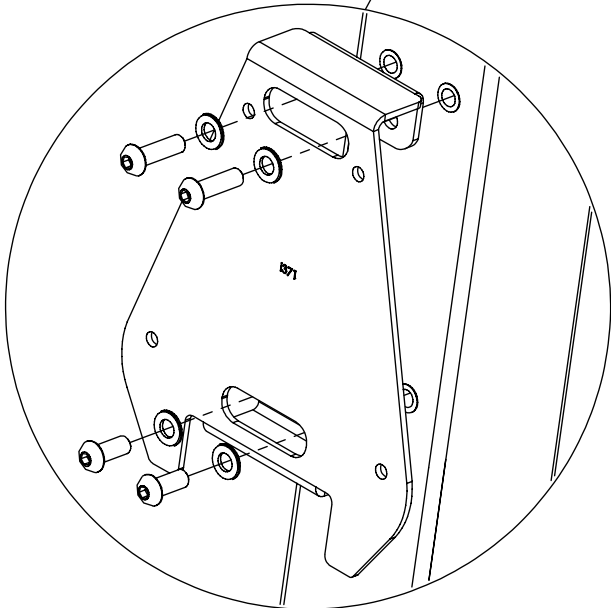
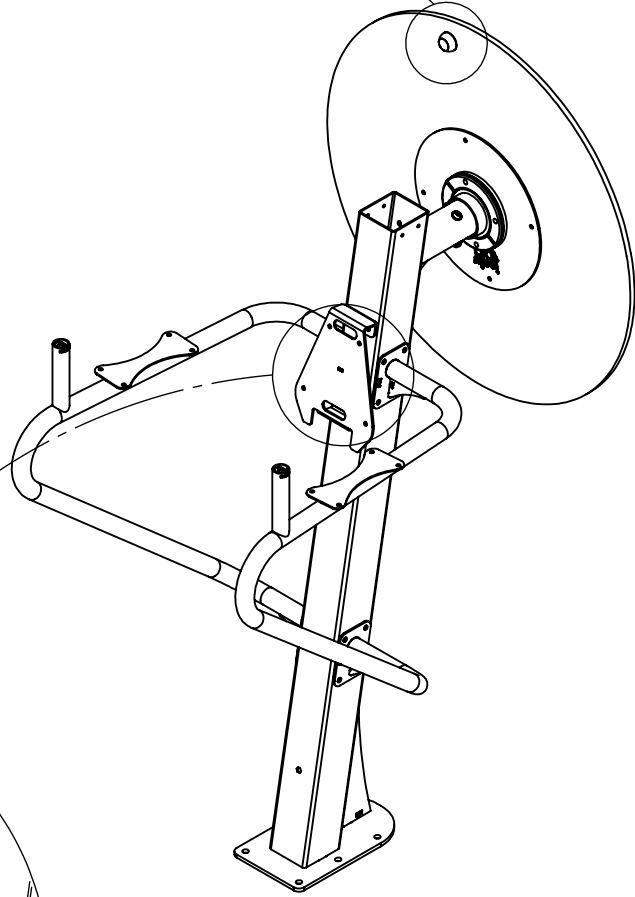


[cm]

vinci
play



1x 11e022

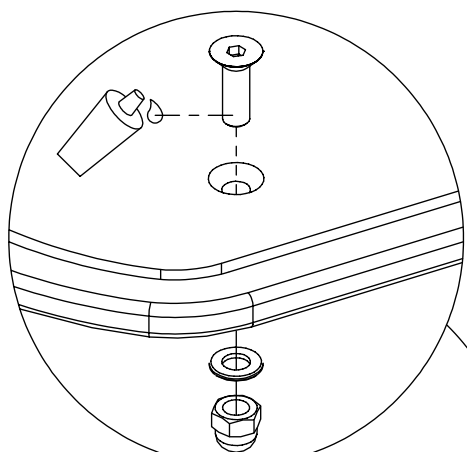


1x 11e008

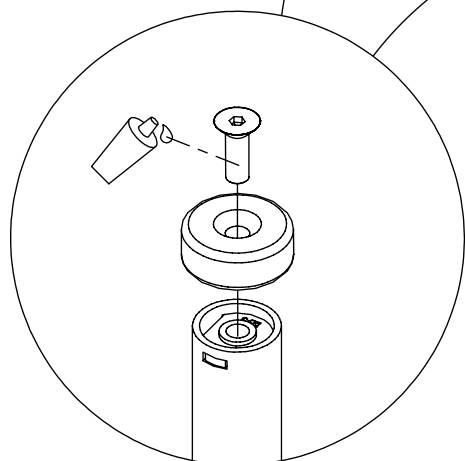


[cm]

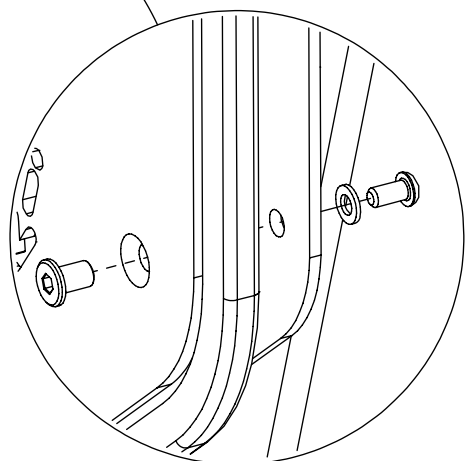
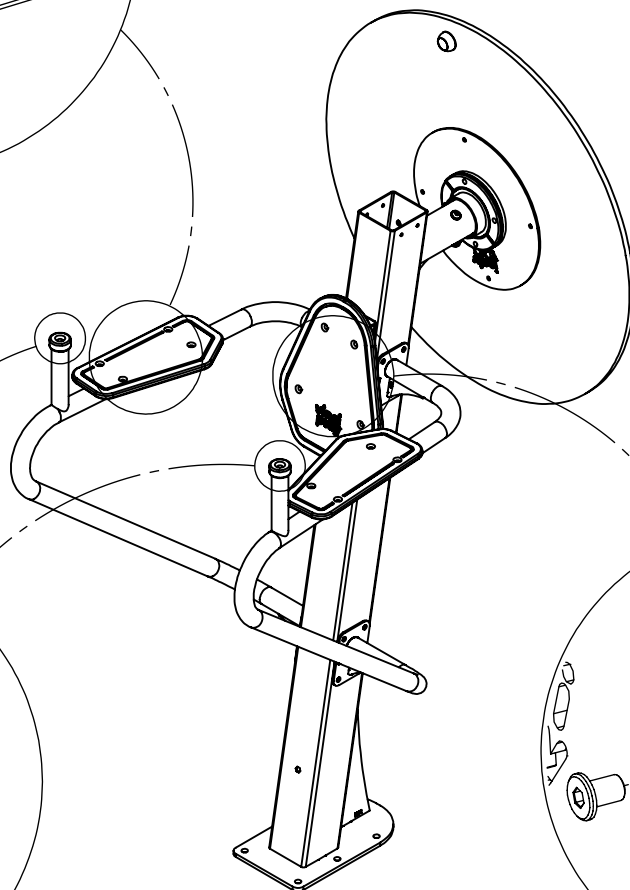
vinci
play



2x 11e009



1x 11e024

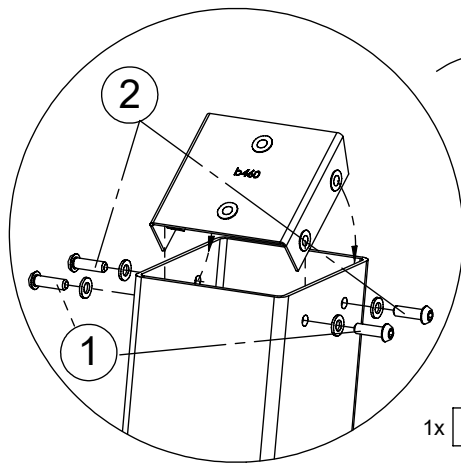


1x 11e023

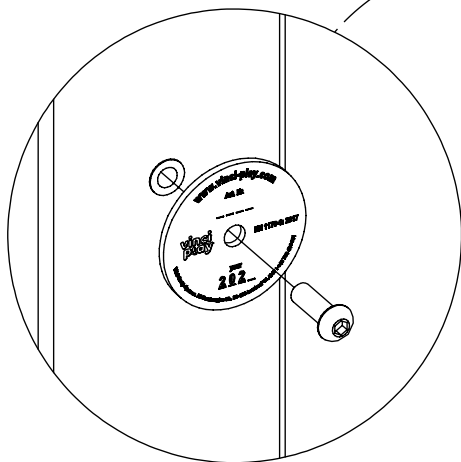
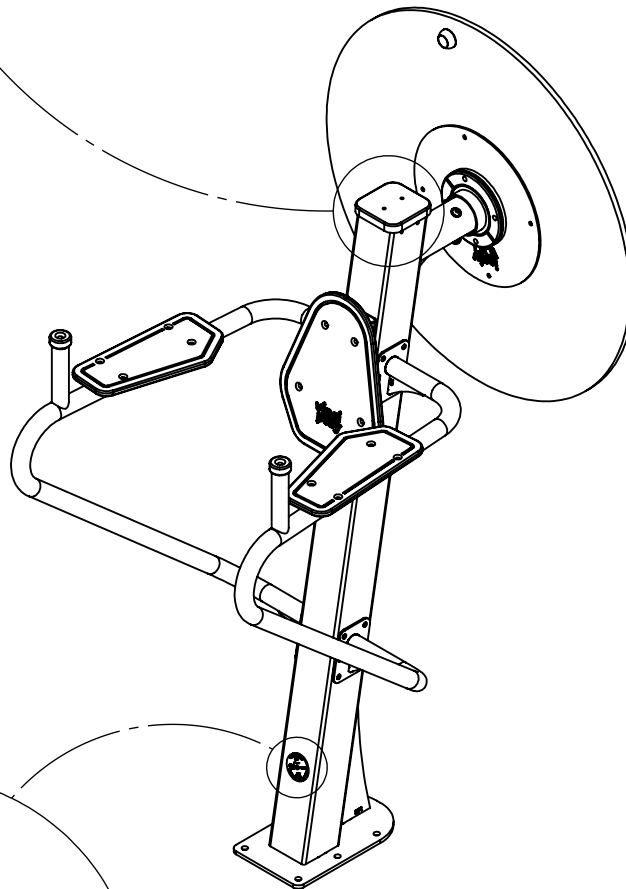
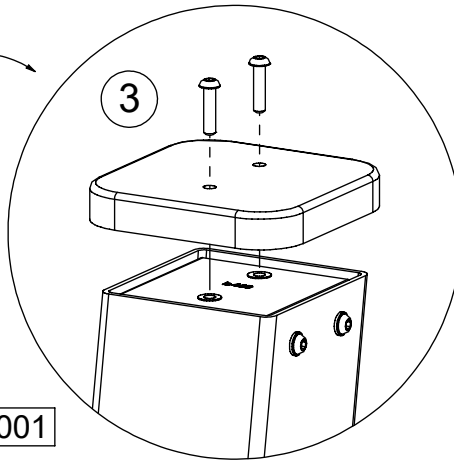


[cm]

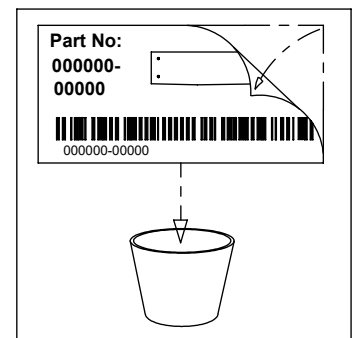
vinci
play



1x 23e001



1x V003



[cm]

vinci
play