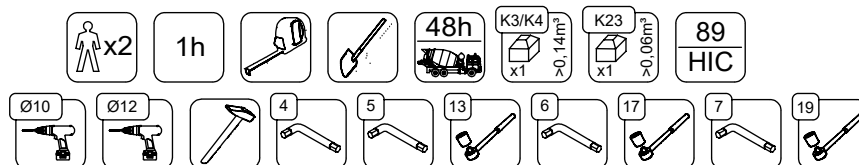
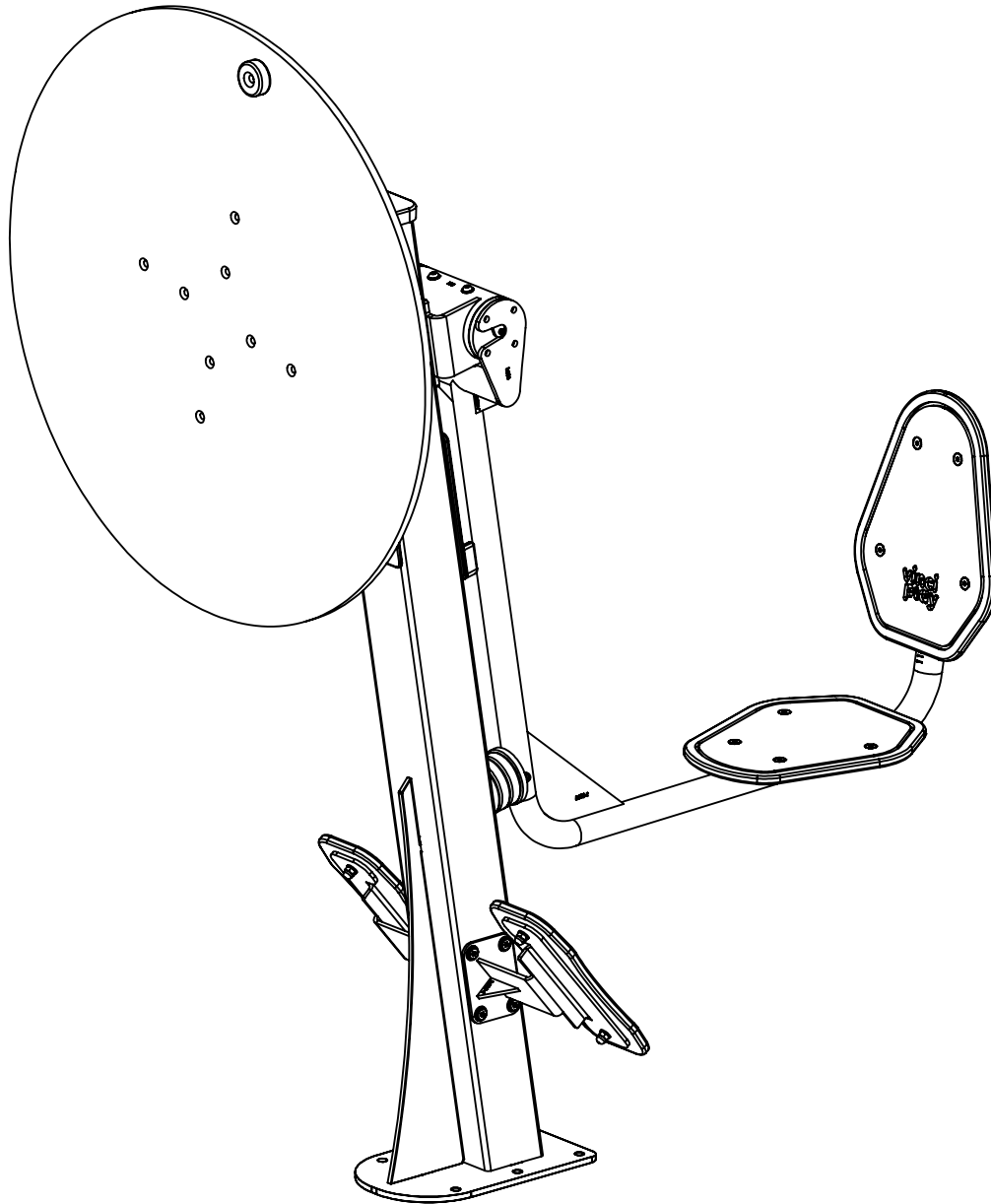
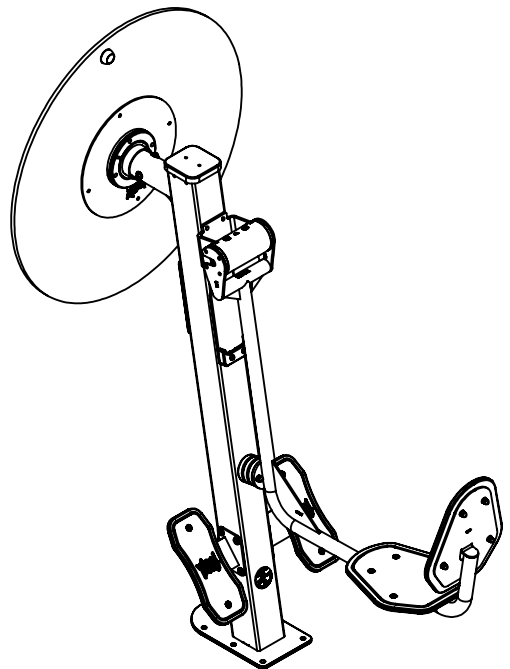
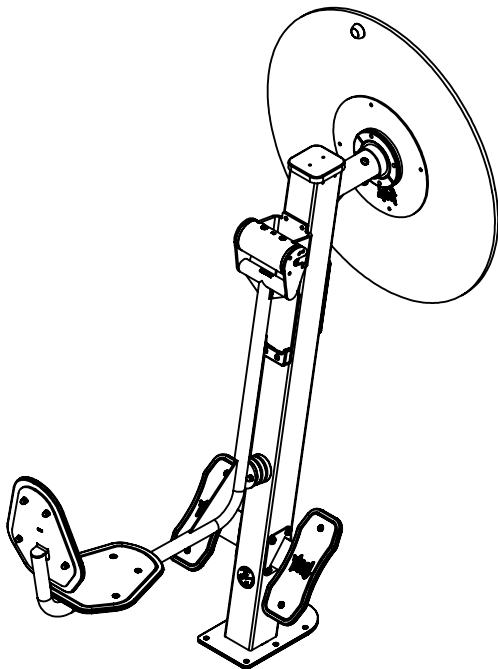
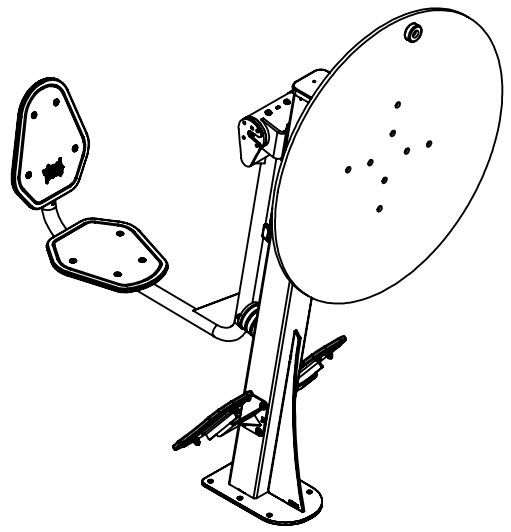
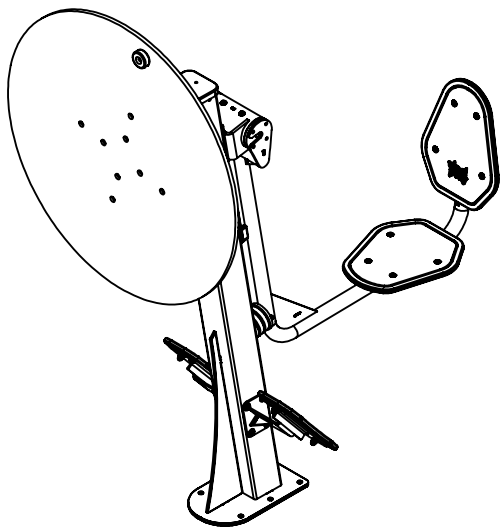


1147



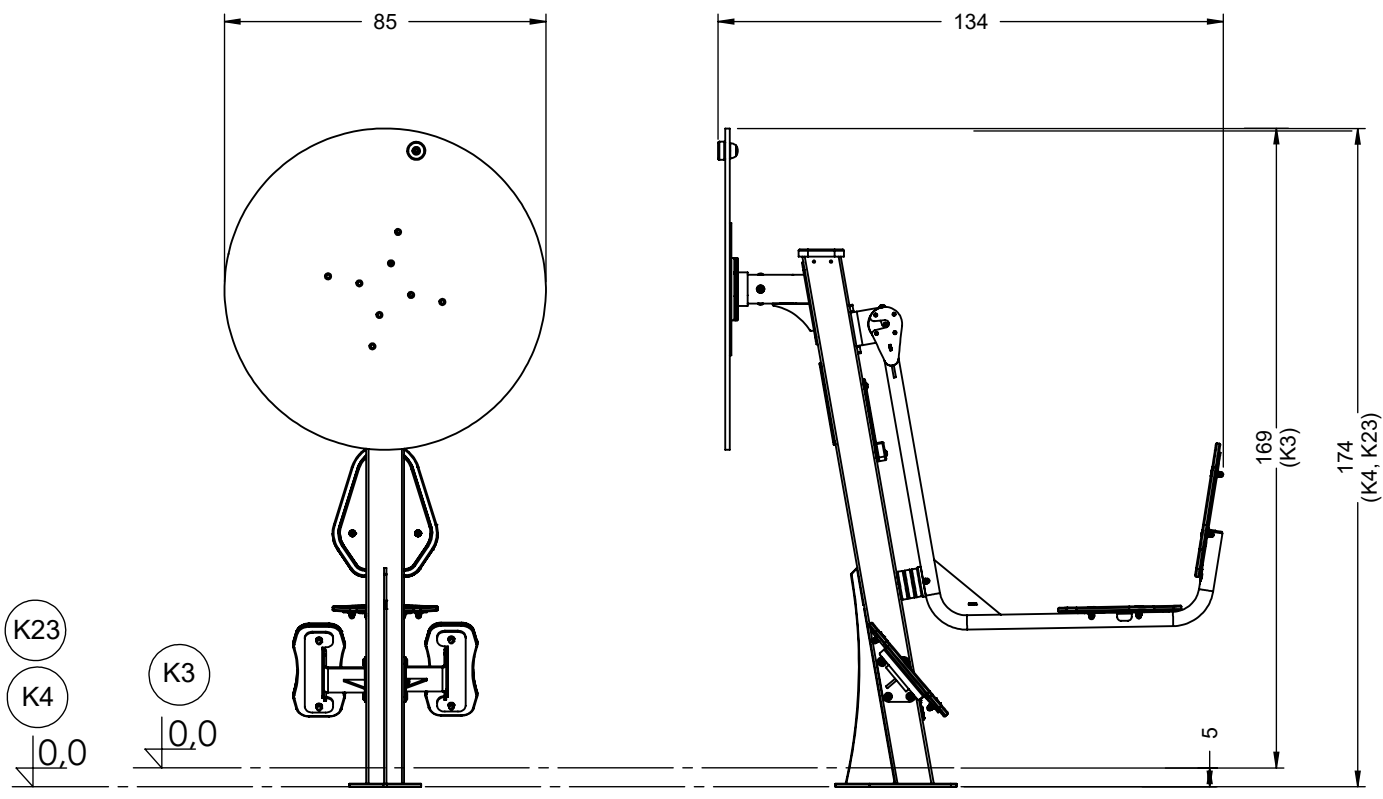
v011
19.06.2023
K. M.
[cm]

vinci
play



[cm]

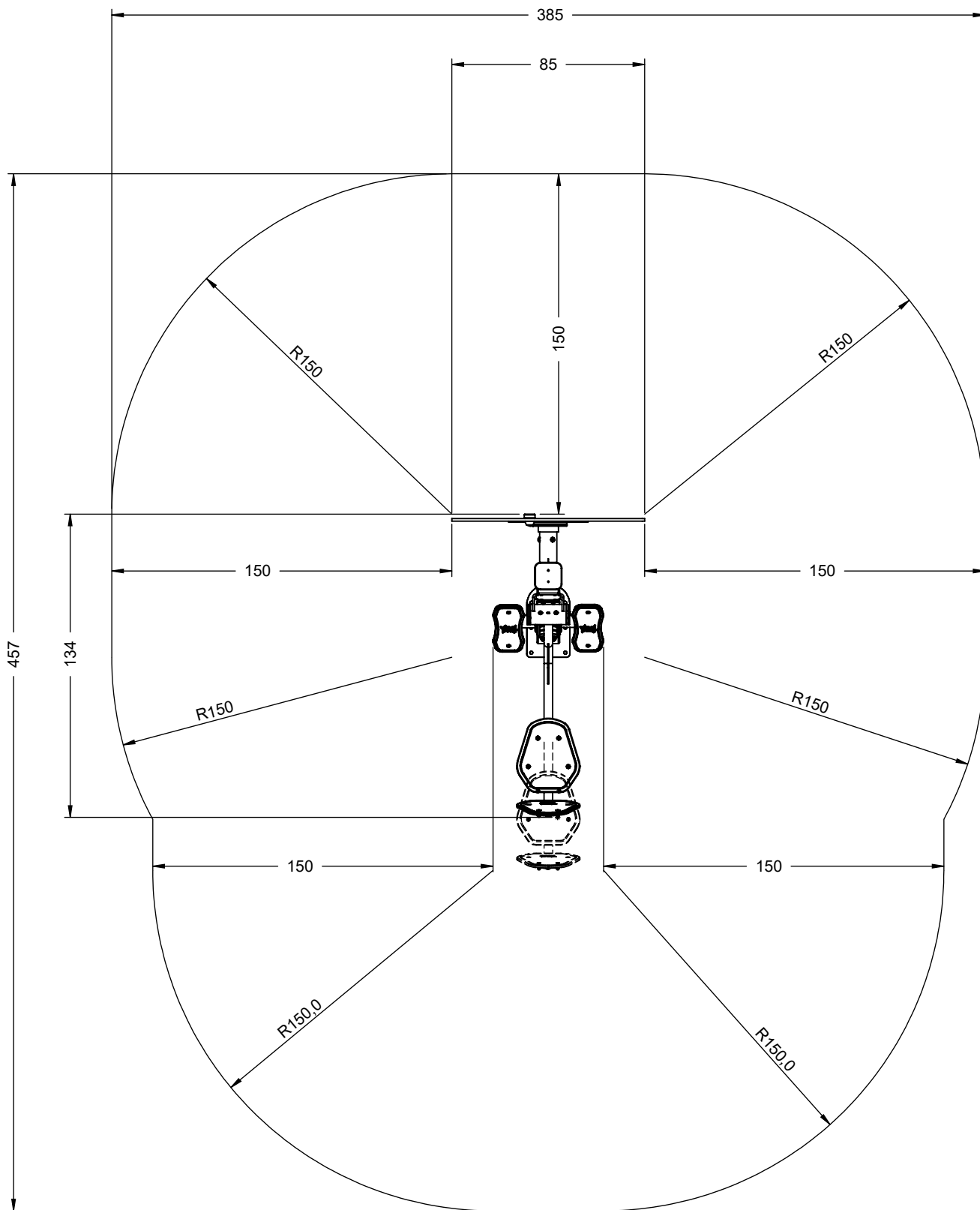
vinci
play



[cm]

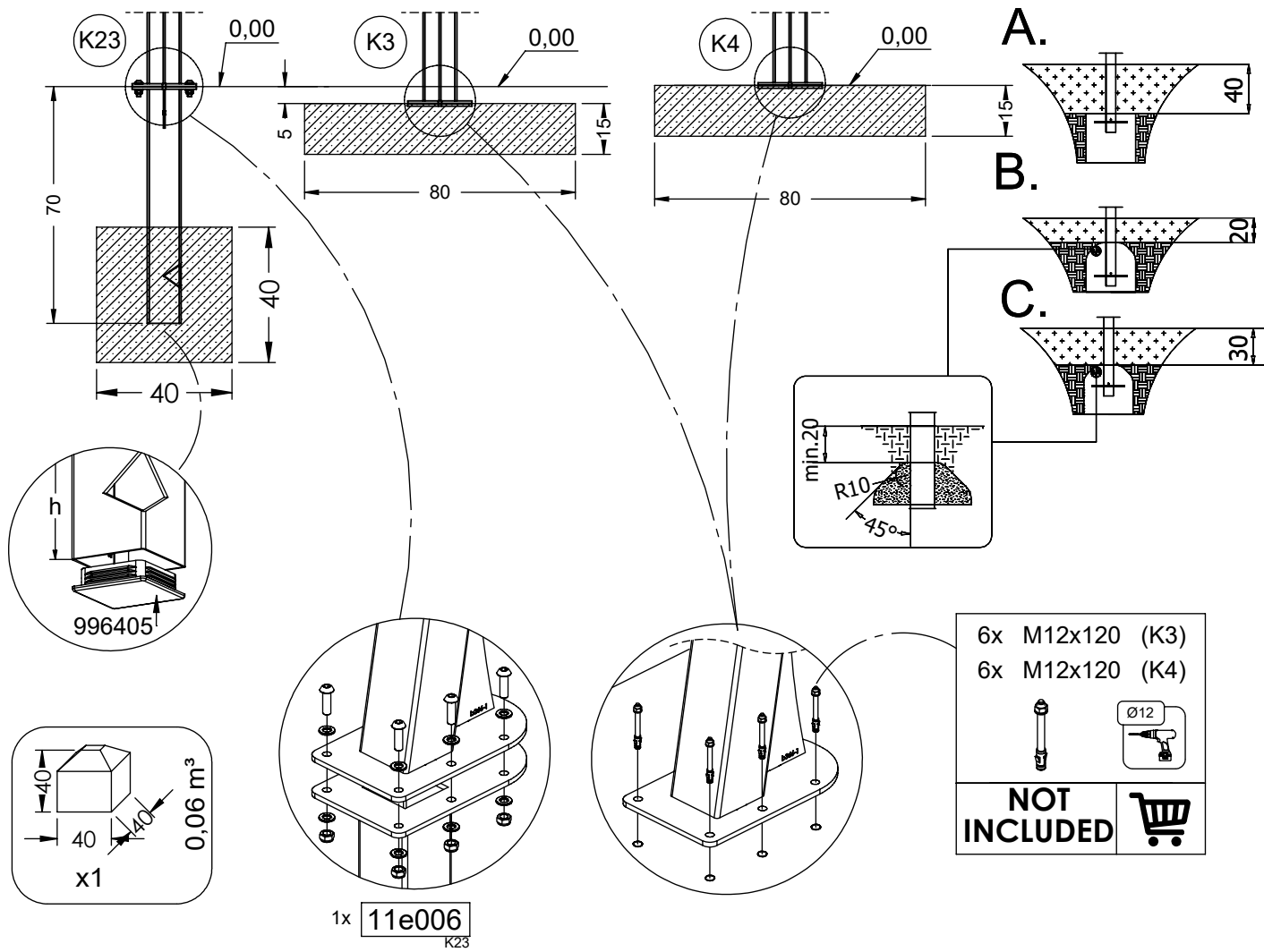


vinci
play

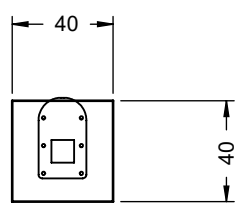


[cm]

vinci
play

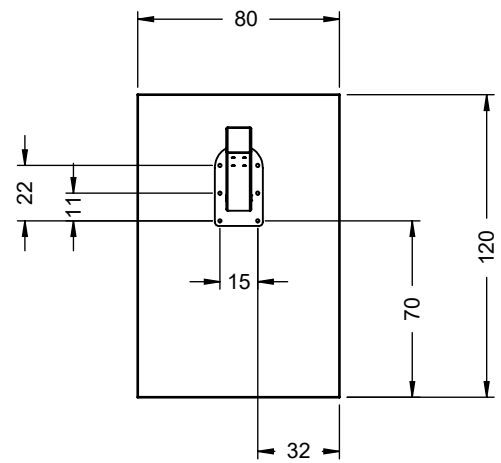


K23



K3

K4



[cm]



1h



48h



K3/K4

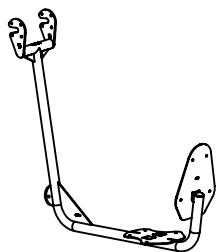
x1 >0,14m³



K23

x1 >0,06m³

vinci
play



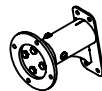
112285
112286 (inox)
x1



112190
112202 (inox)
x1



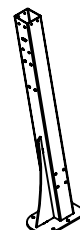
112190
112254 (inox)
x1



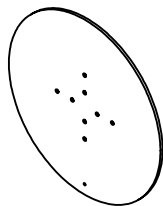
114138
114137 (inox)
x1



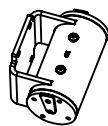
b465
i361 (inox)
x1



112292
11229 (inox)
x1



112111
x1



114142
114143 (inox)
x1



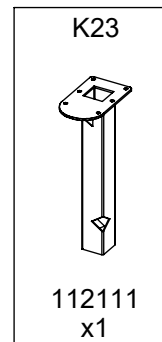
111108
x1



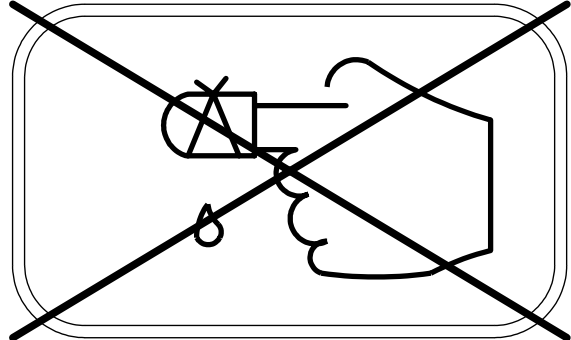
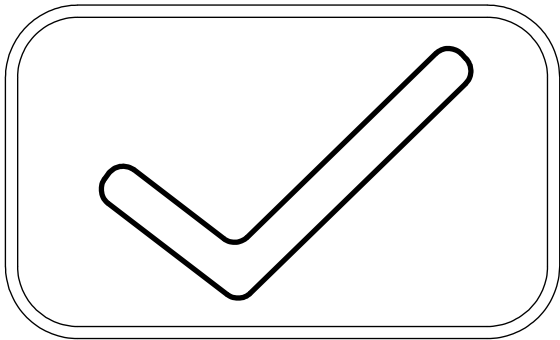
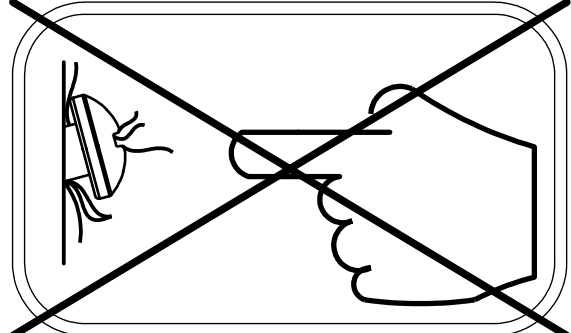
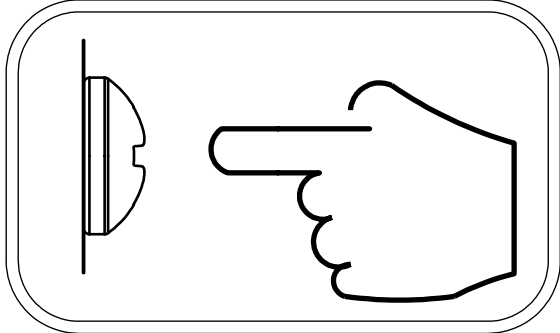
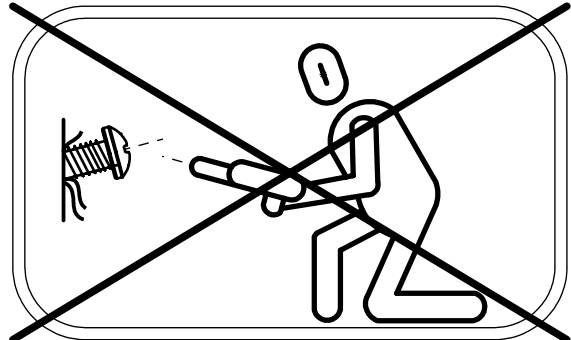
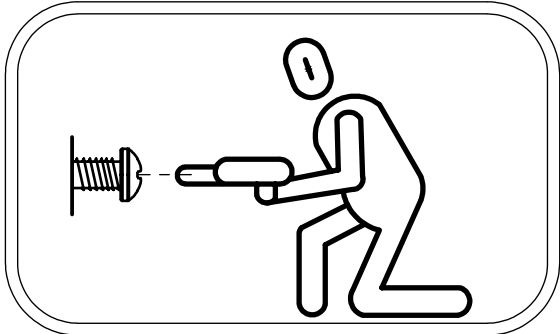
111102
x1

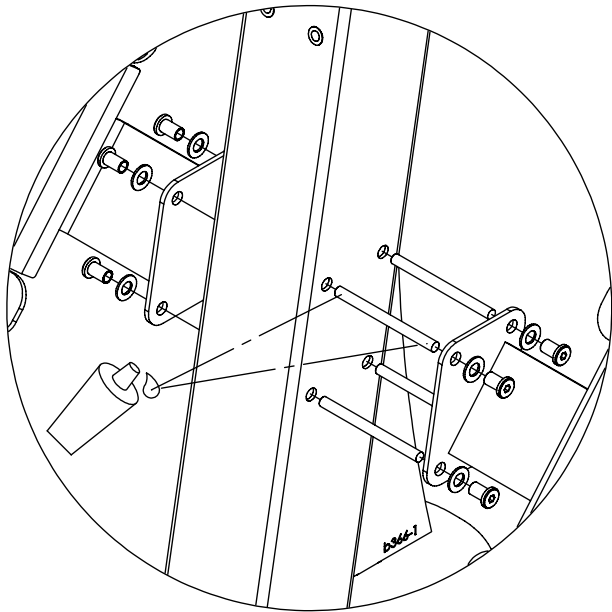


111131
x1

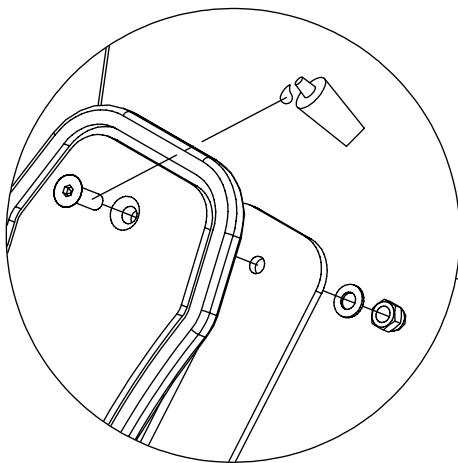
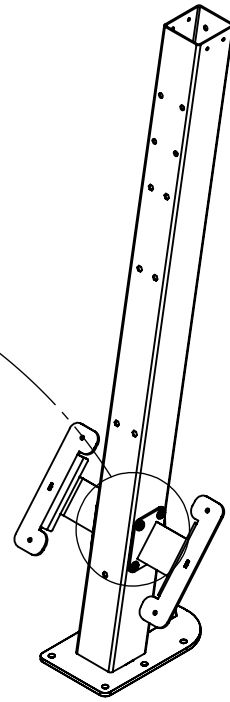


1x	11e006 (K23)
1x	23e001
1x	11e003
1x	11e002
2x	11e004
1x	11e005
3x	11e009
1x	11e010
1x	11e013
1x	11e021
1x	11e022
1x	116110
1x	116111
1x	996405 (K23)
1x	V003

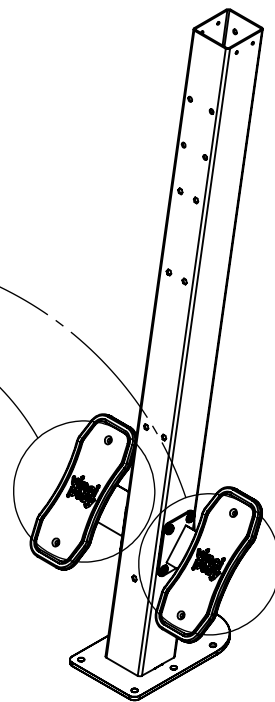




1x 11e005



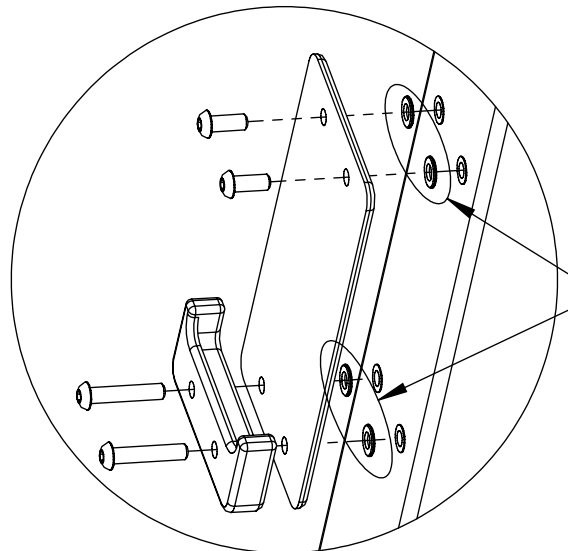
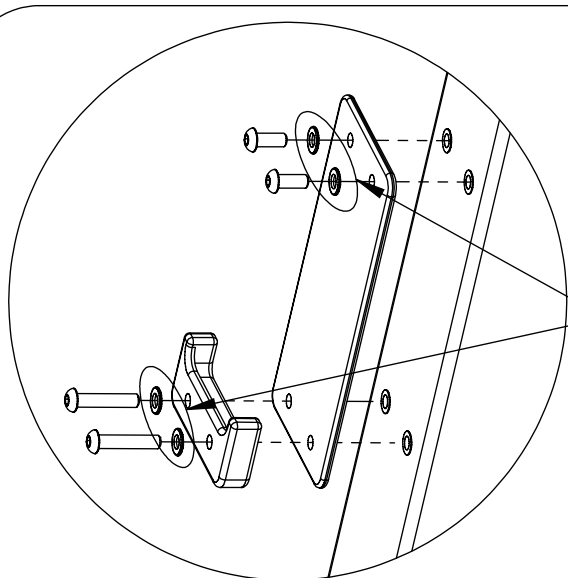
1x 11e009



[cm]

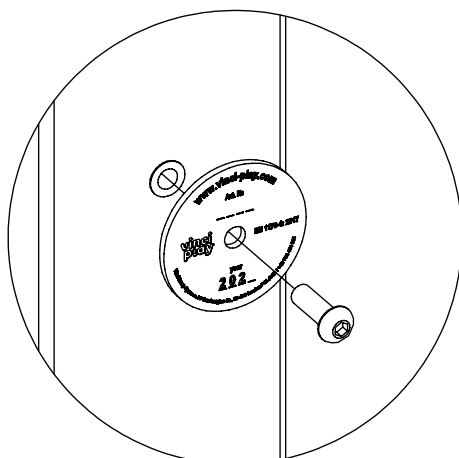


vinci
play

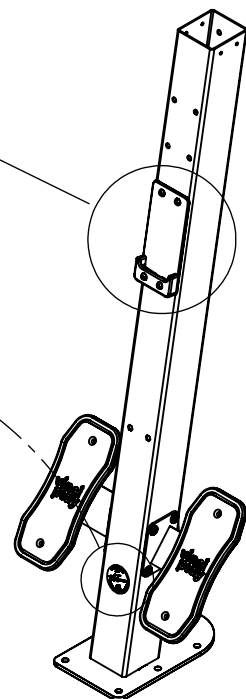


1x 116111

1x 11e002



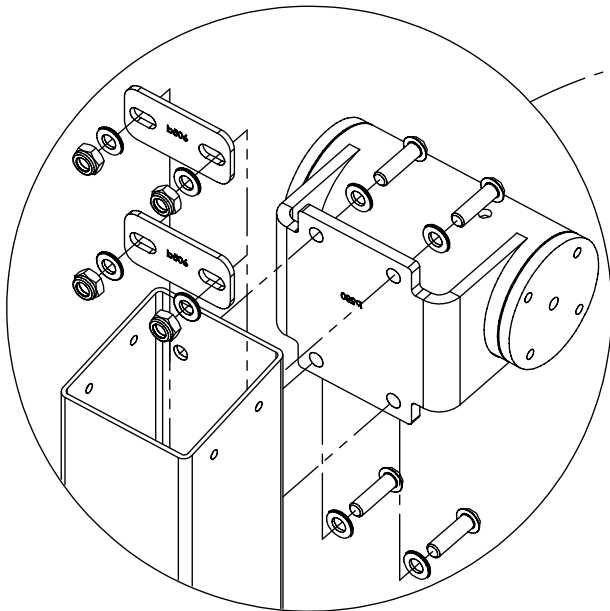
1x V003



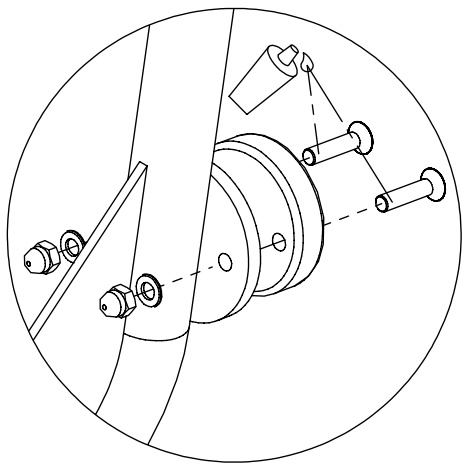
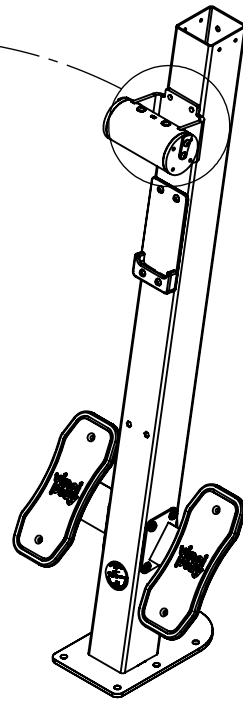
[cm]



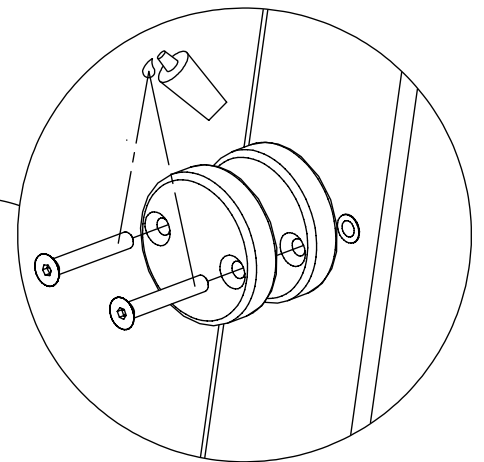
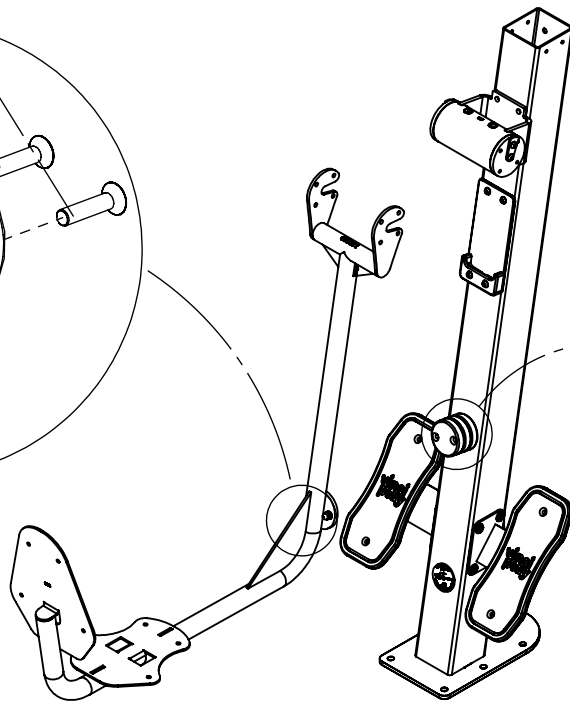
vinci
play



1x 11e004



1x 11e013

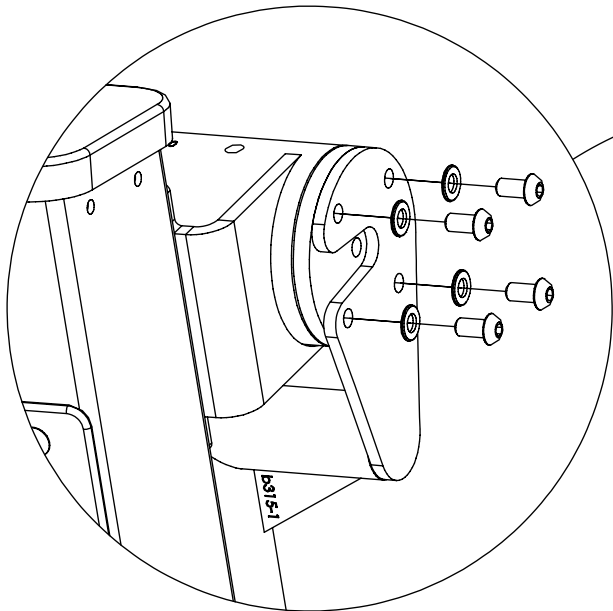


11e013

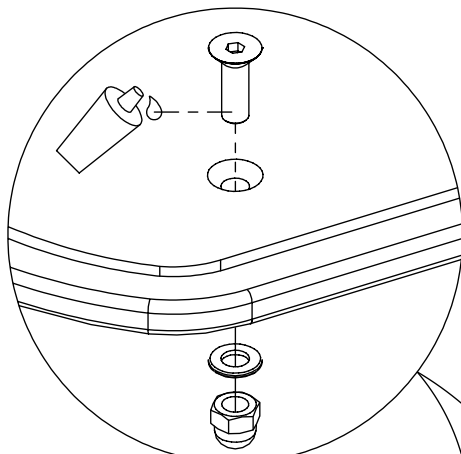
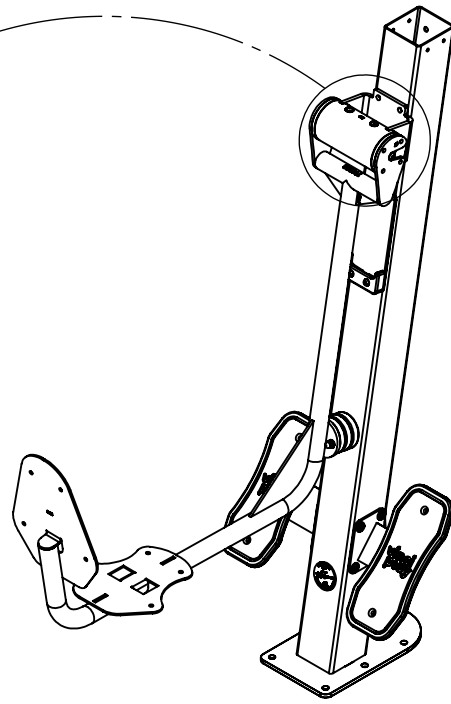
[cm]



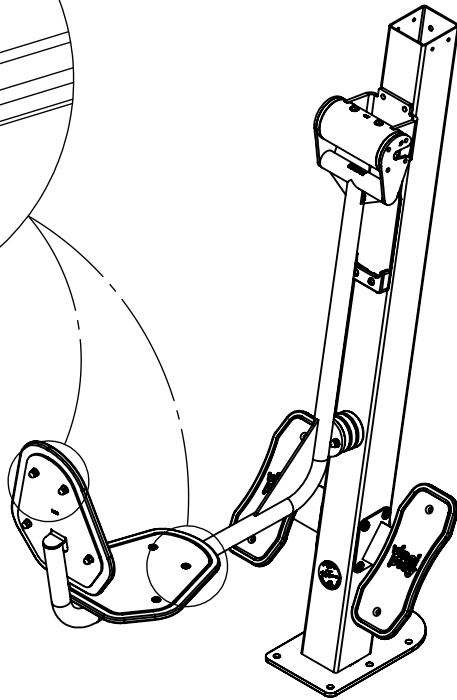
vinci
play



1x 11e010



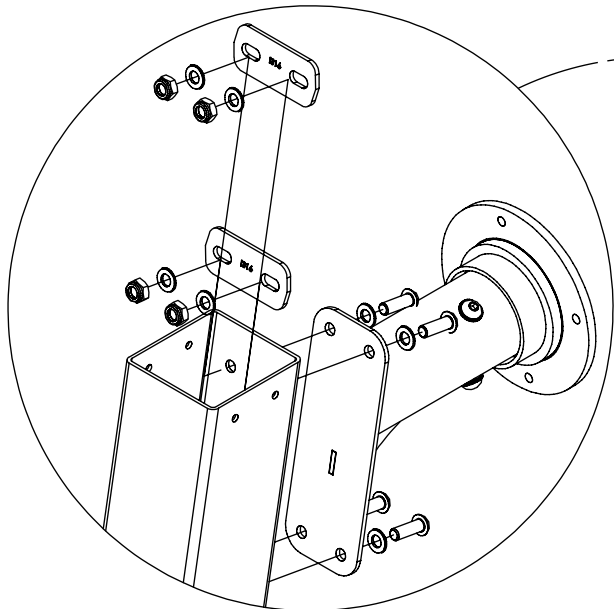
2x 11e009



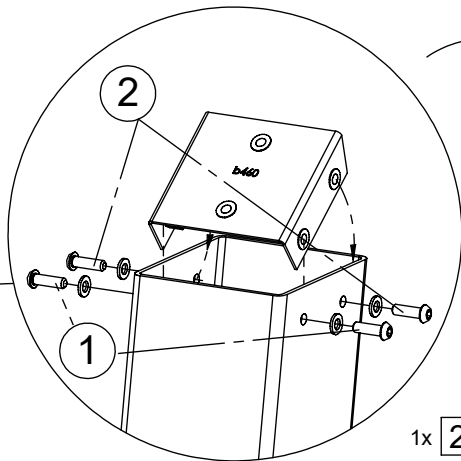
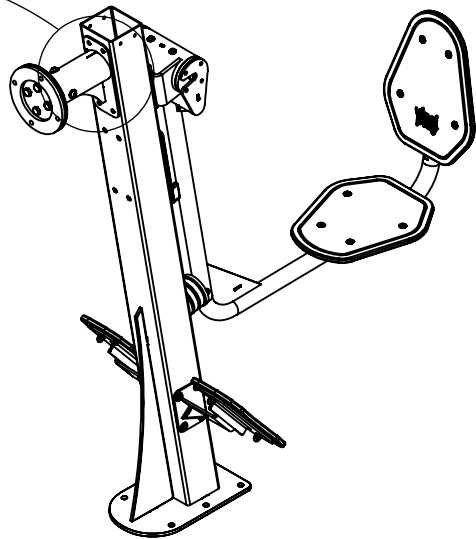
[cm]



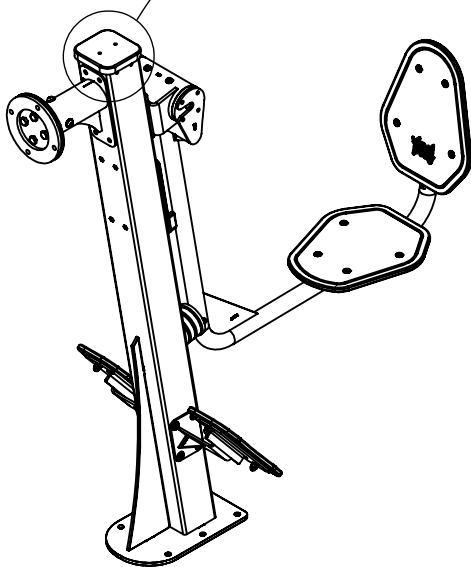
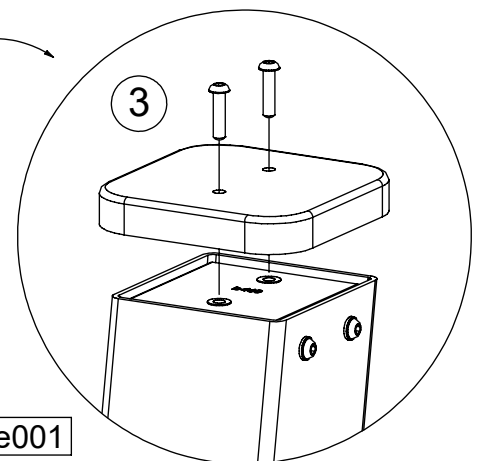
vinci
play



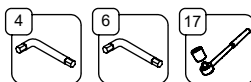
1x 11e004



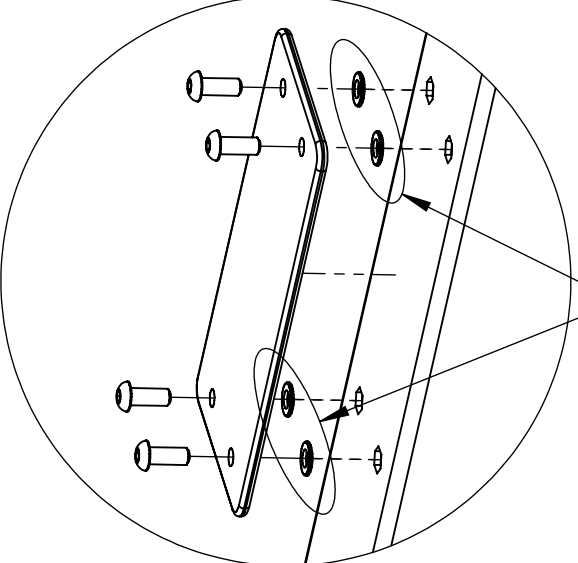
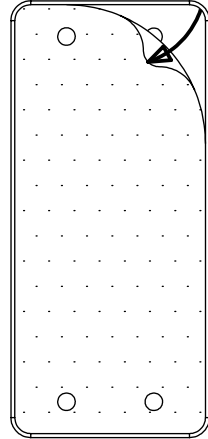
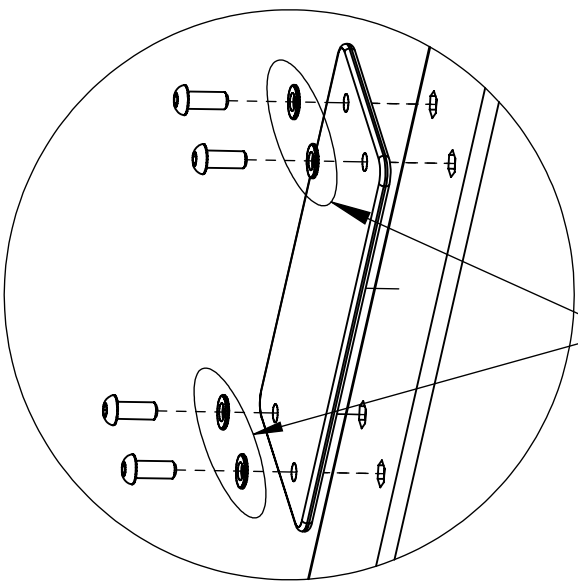
1x 23e001



[cm]

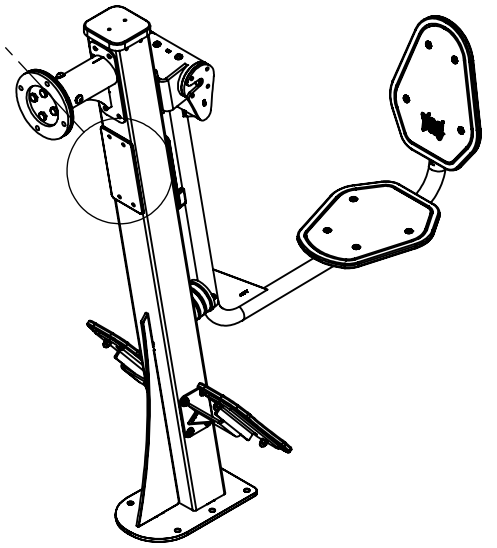


vinci
play



1x 116110

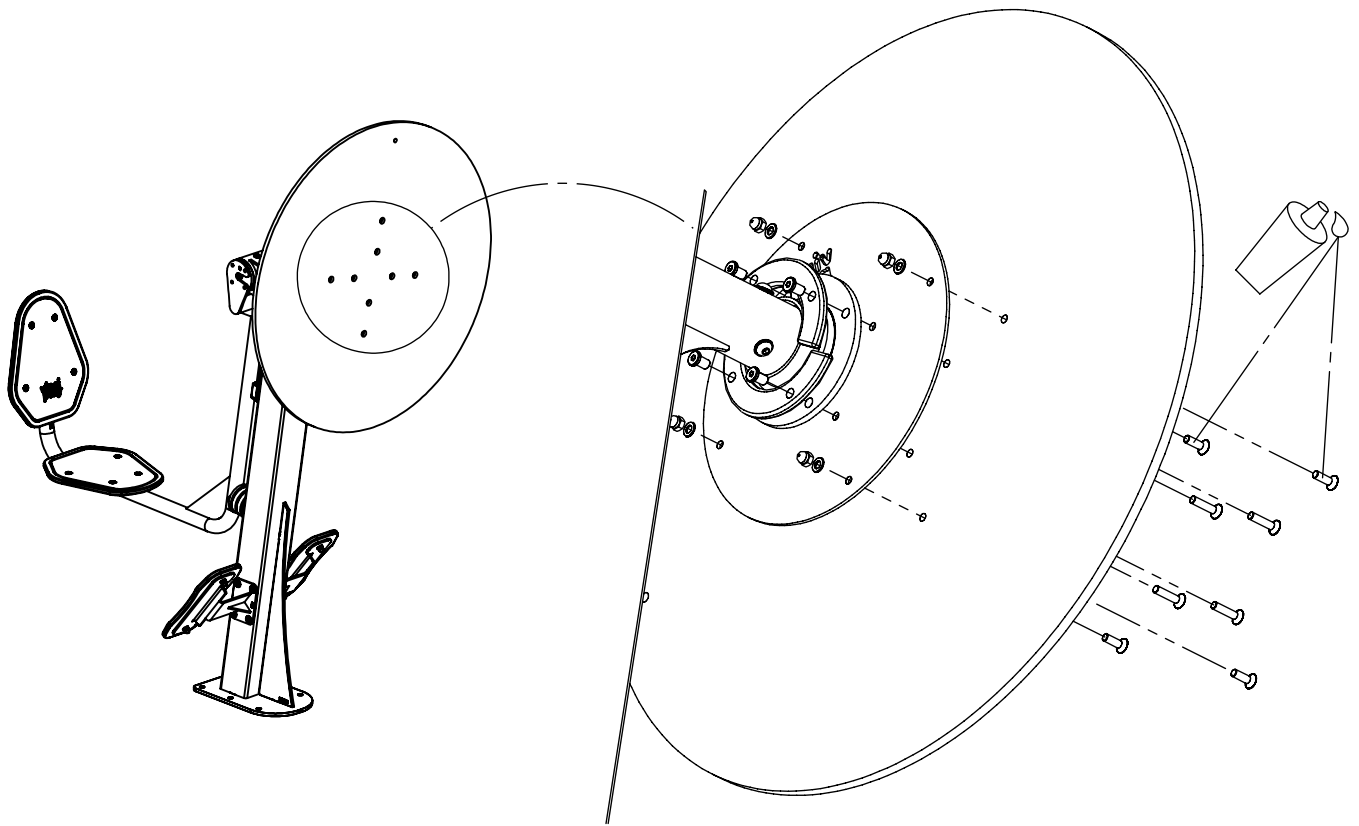
1x 11e003



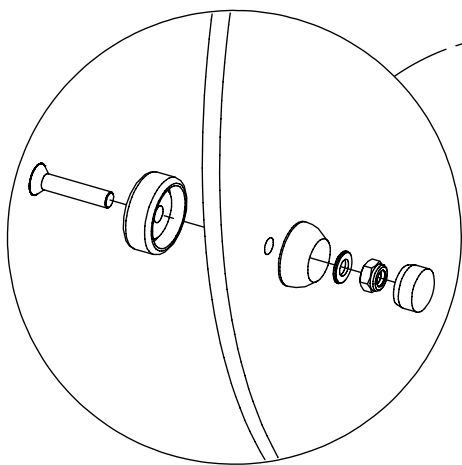
[cm]



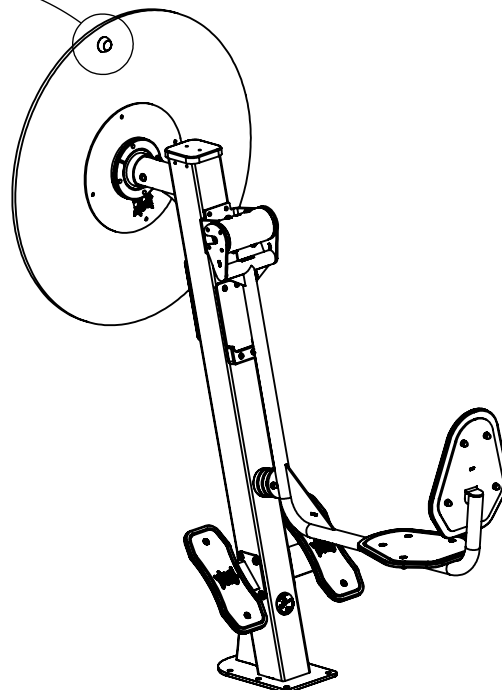
vinci
play



1x 11e021



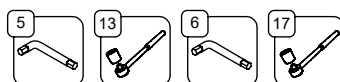
1x 11e022



Part No:
000000-
00000

000000-00000

[cm]



vinci
play