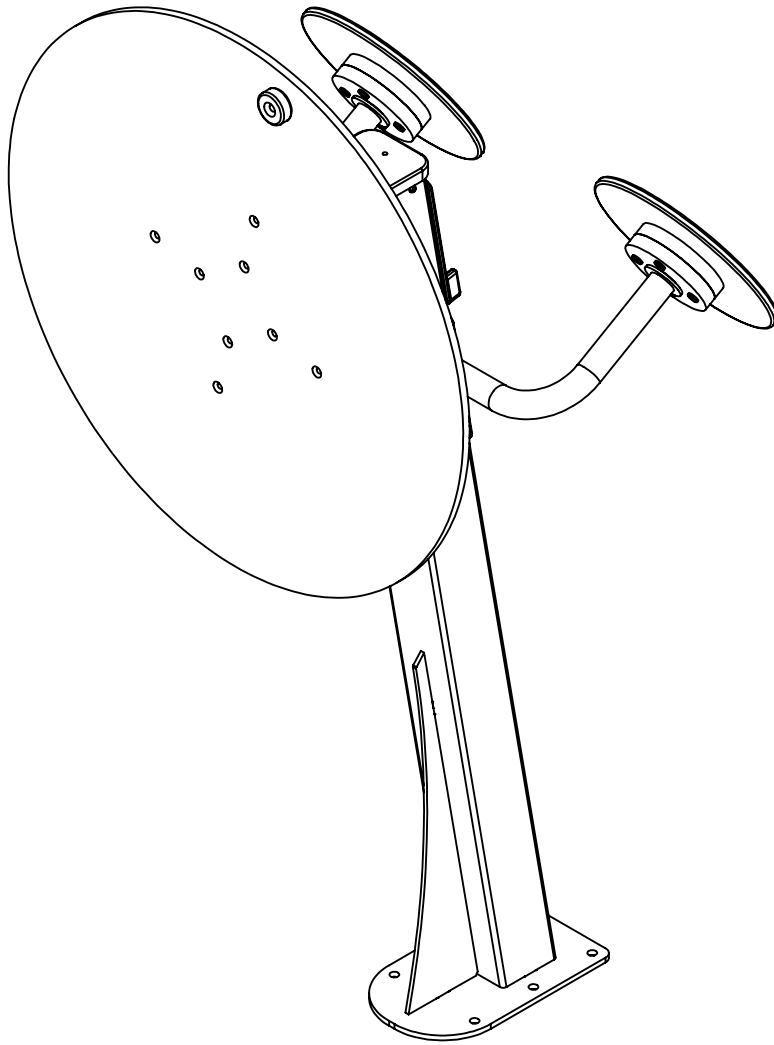


1145



1h



48h

K3/K4
x1

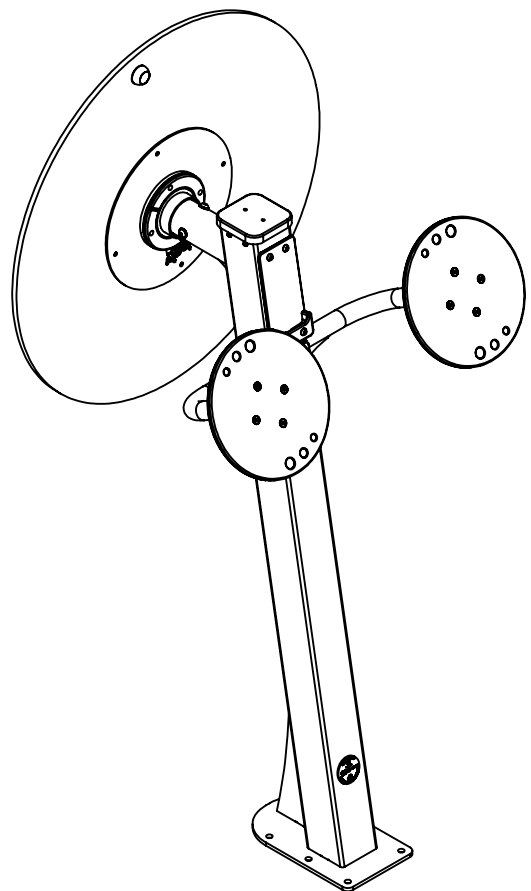
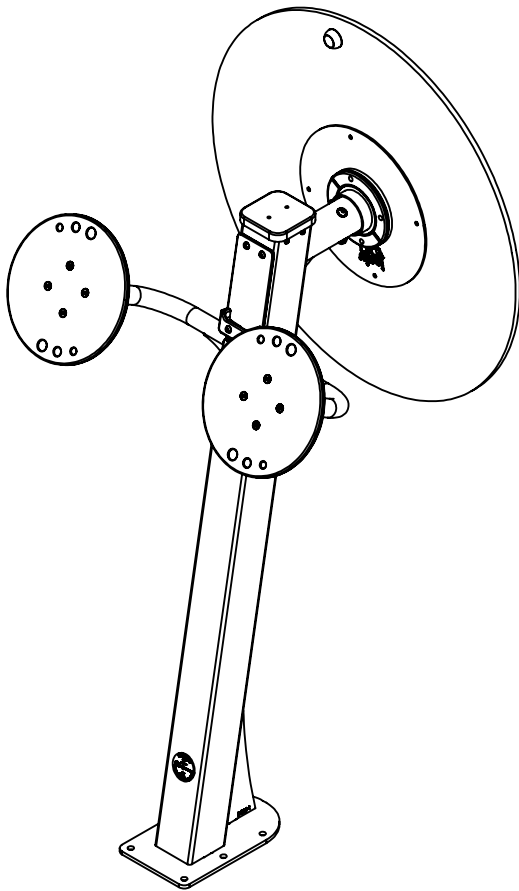
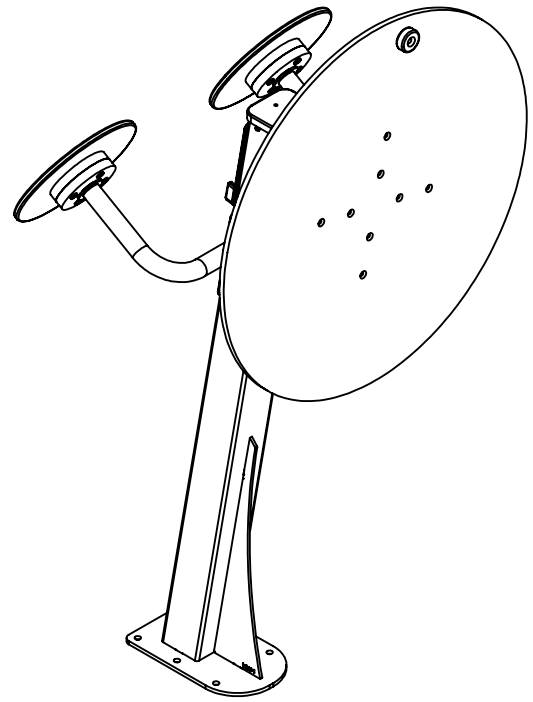
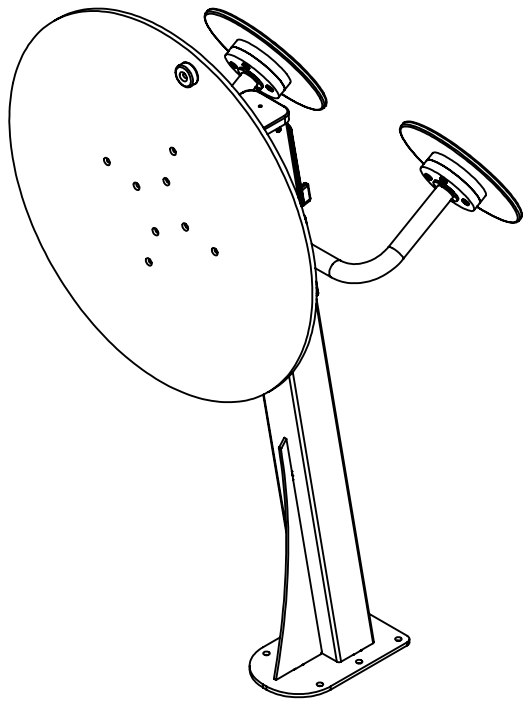
K23
x1

<60
HIC

v011
19.06.2023
K. M.
[cm]

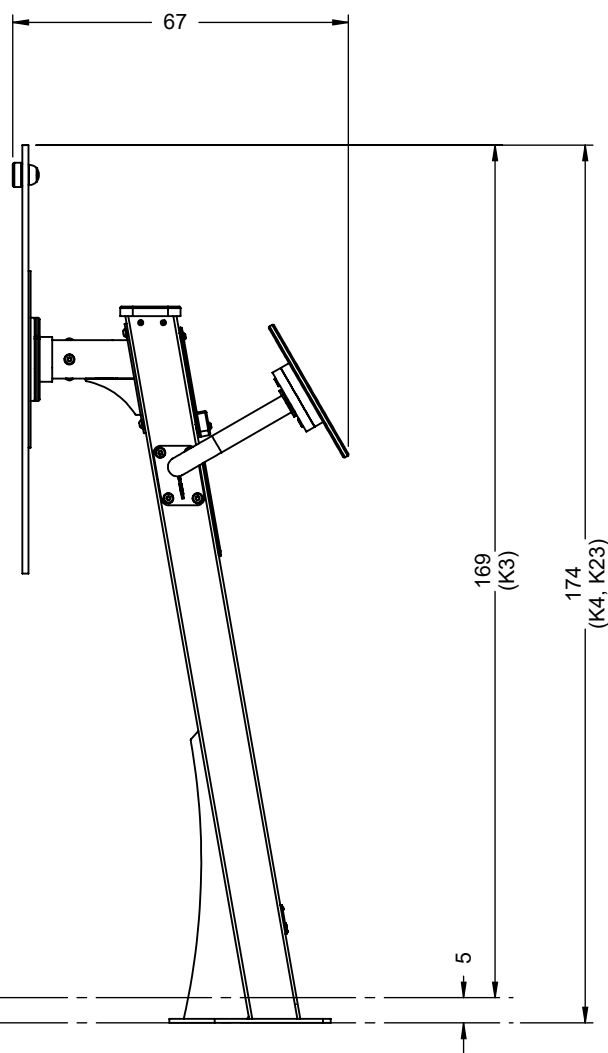
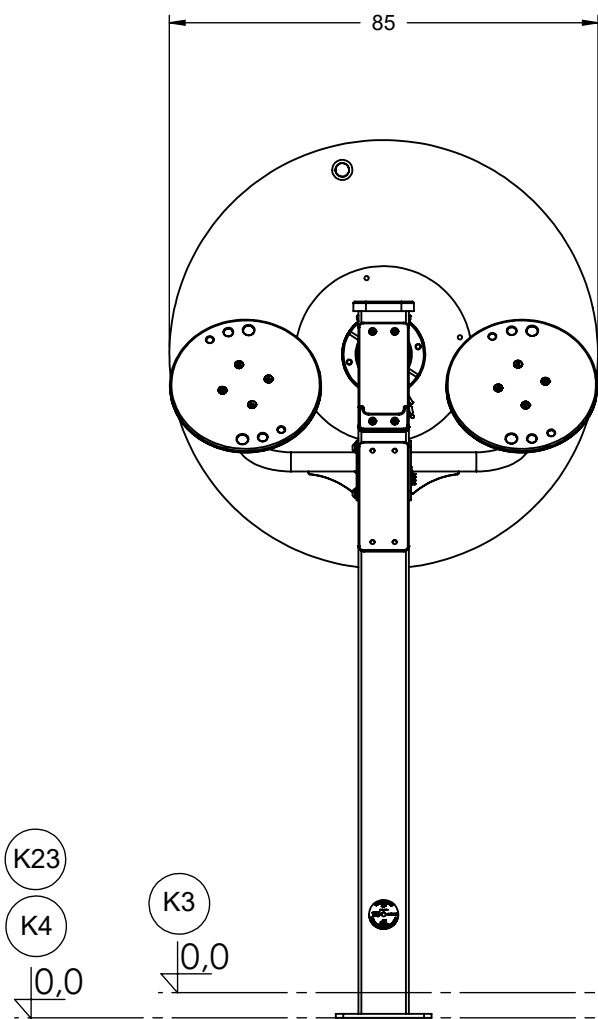


vinci
play



[cm]

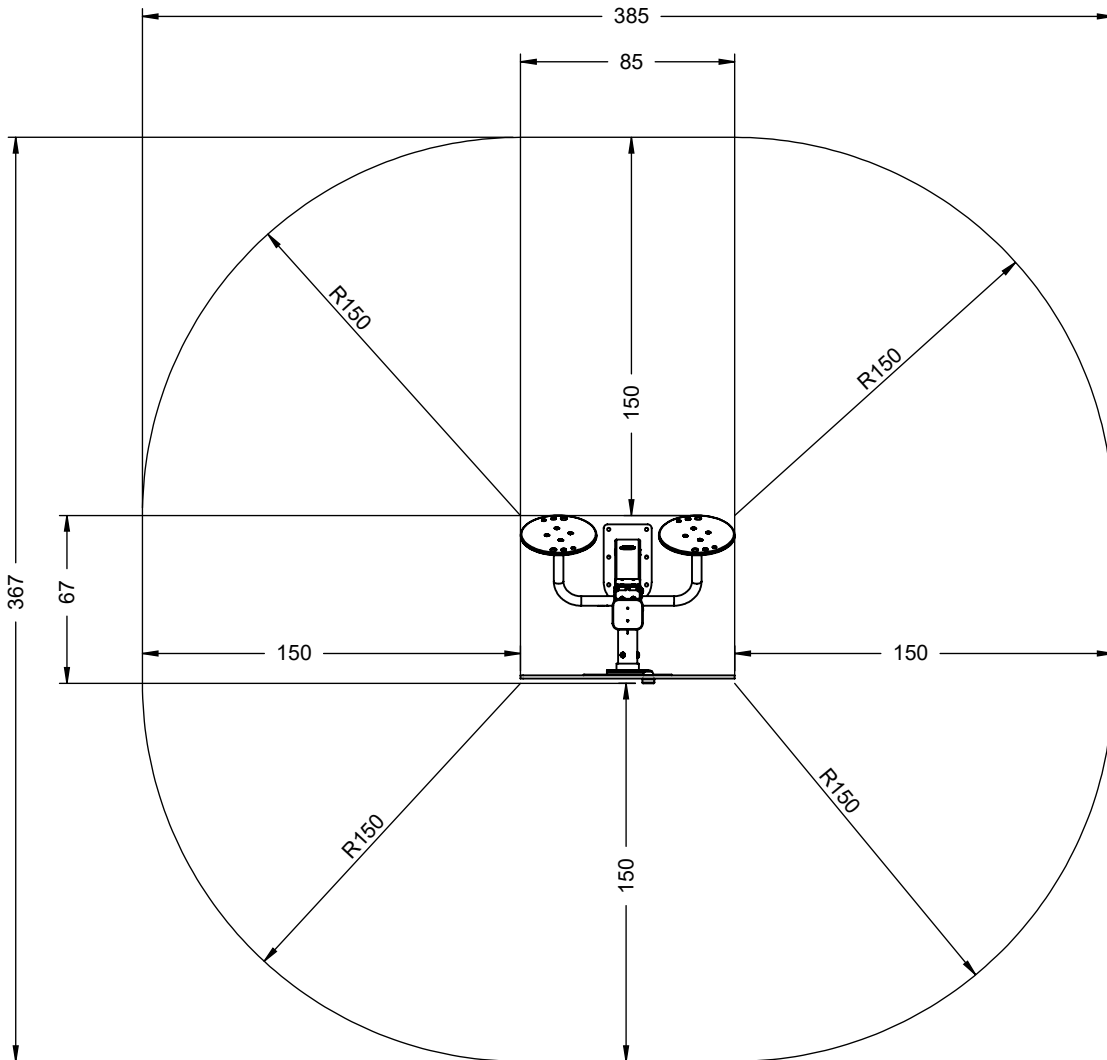
vinci
play



[cm]

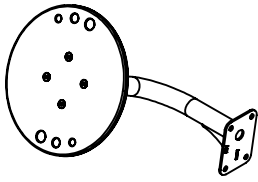


vinci
play

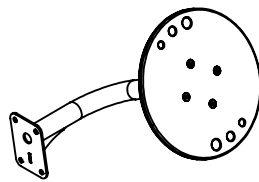


[cm]

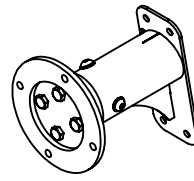
vinci
play



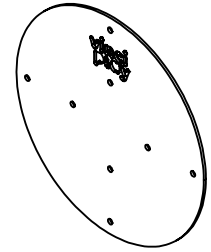
114134
114133 (inox)
x1



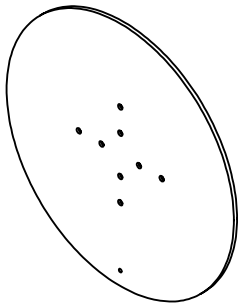
114136
114135 (inox)
x1



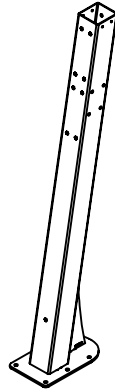
114138
114137 (inox)
x1



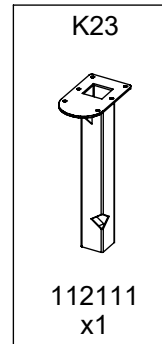
b465
i361 (inox)
x1



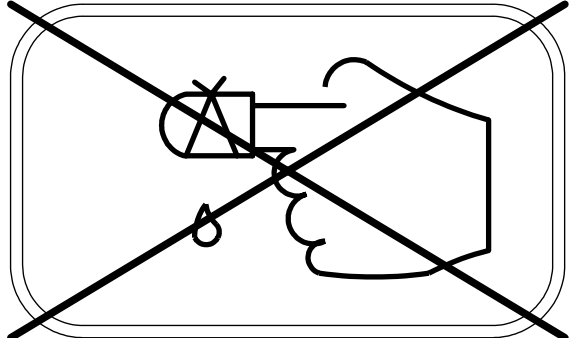
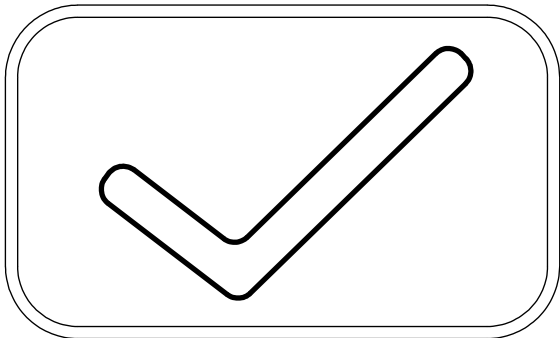
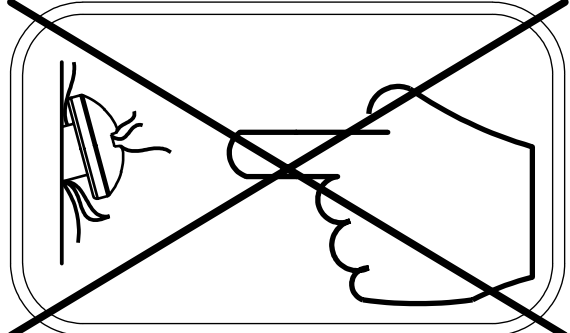
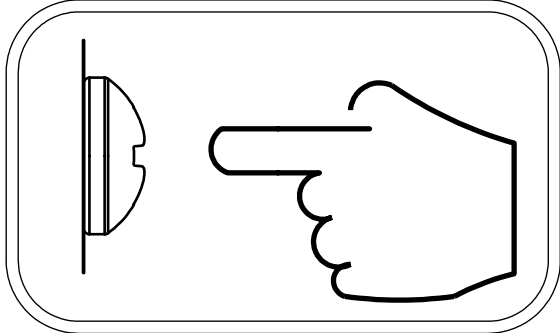
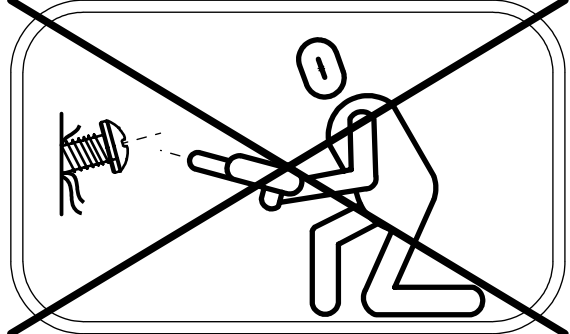
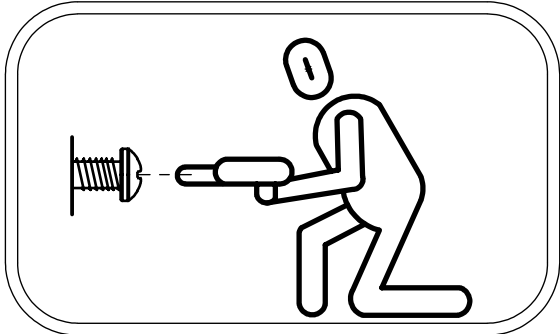
112111
x1

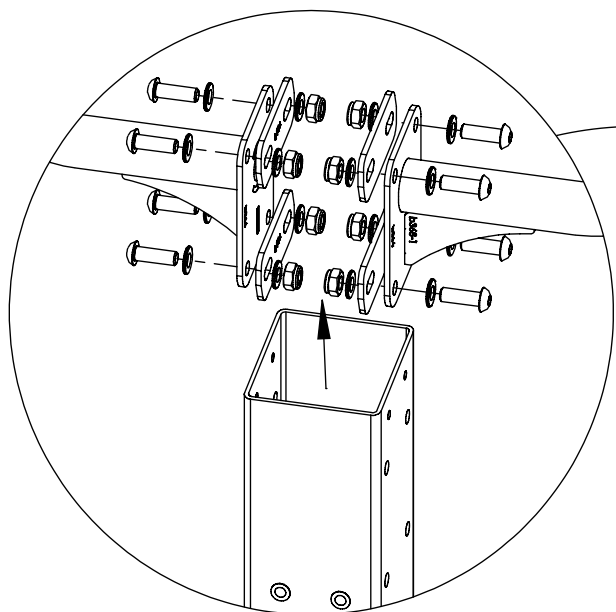


112219
112220 (inox)
x1

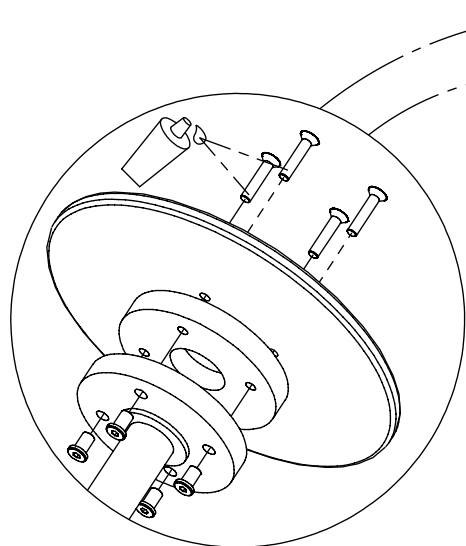
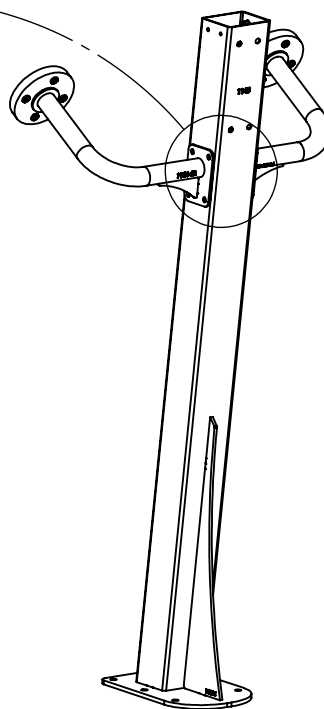


ST/INOX	
1x	11e006 (K23)
1x	23e001
2x	11e003
3x	11e004
2x	11e020
1x	11e021
1x	11e022
1x	116109
1x	116110
1x	996405 (K23)
1x	V003

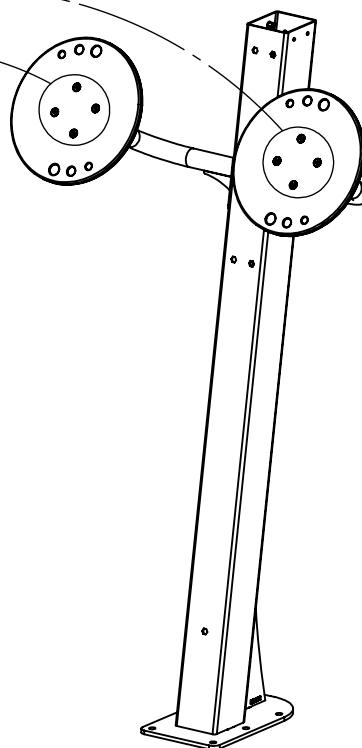




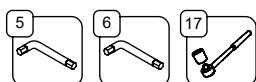
2x 11e004



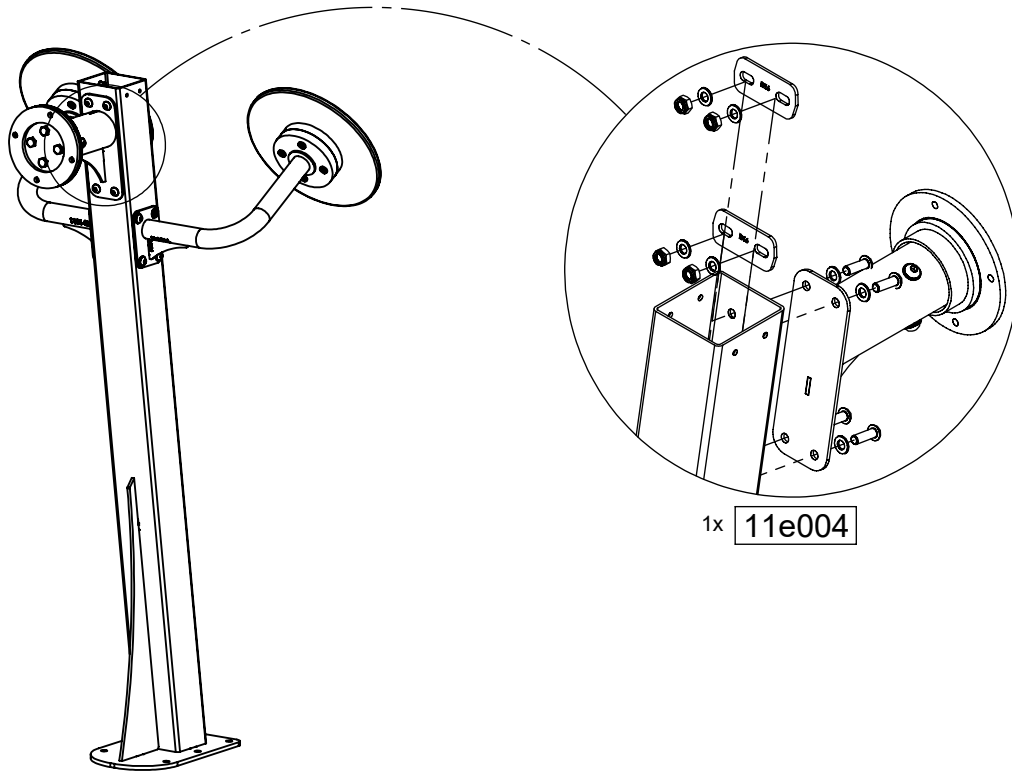
2x 11e020



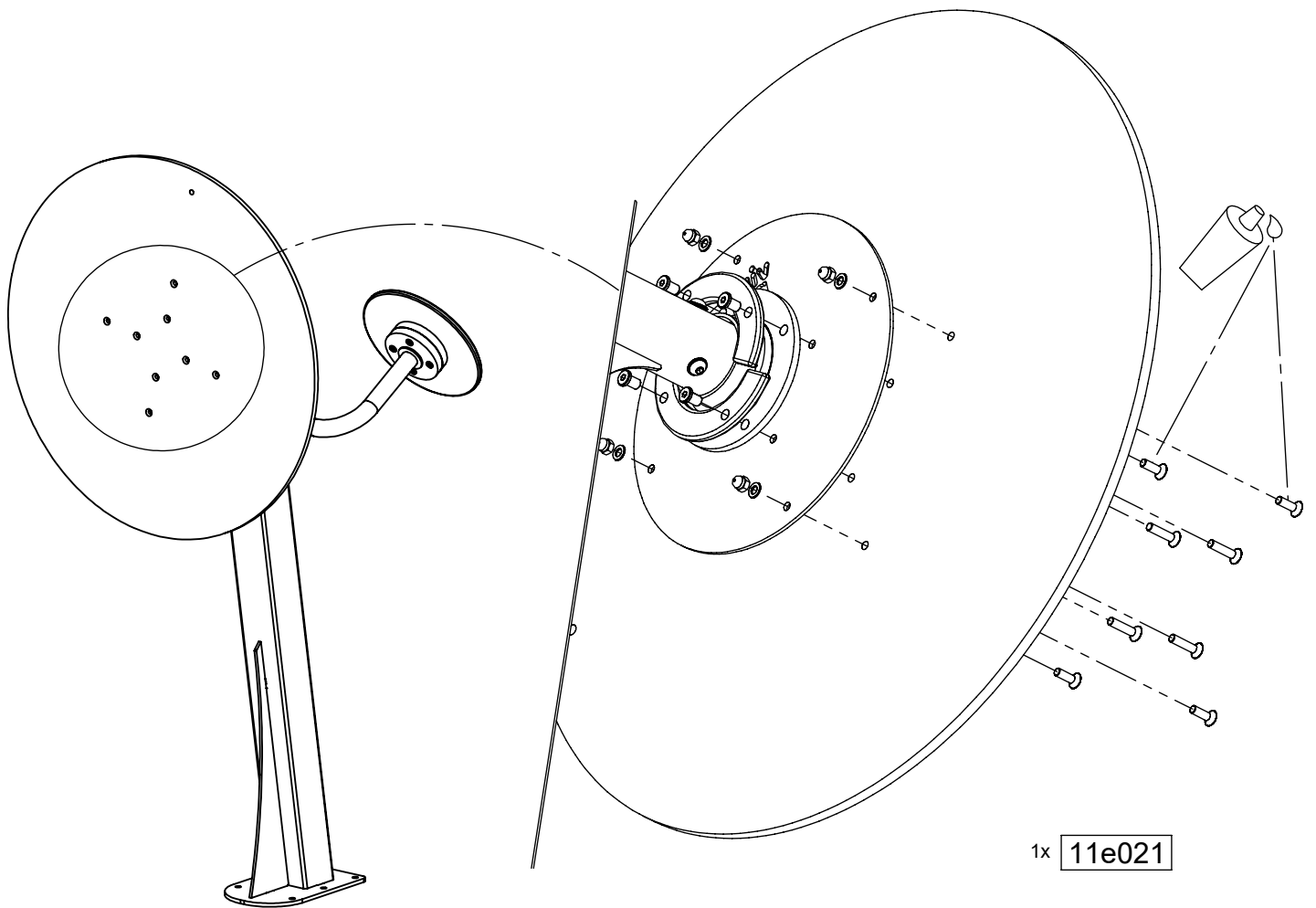
[cm]



vinci
play

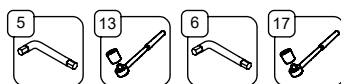


1x 11e004

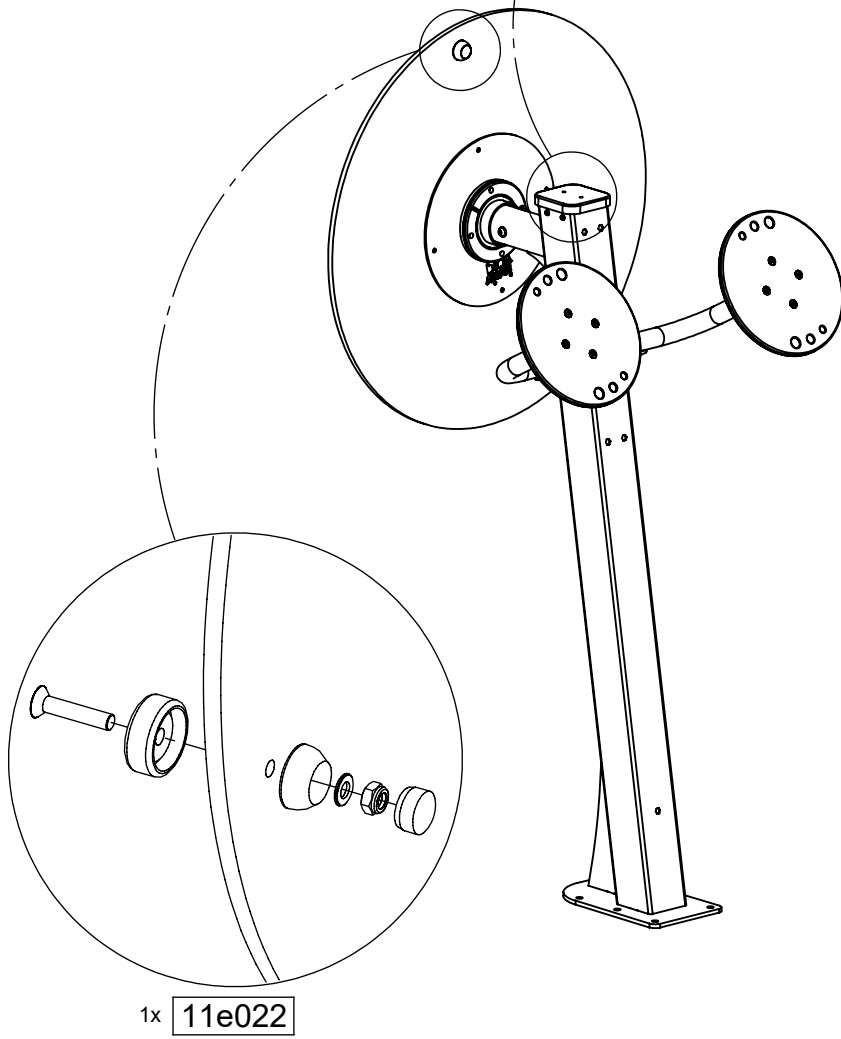
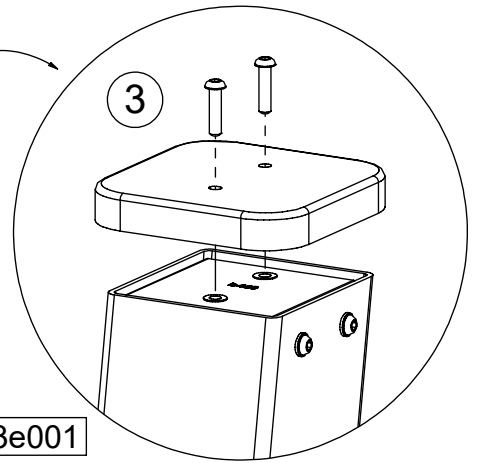
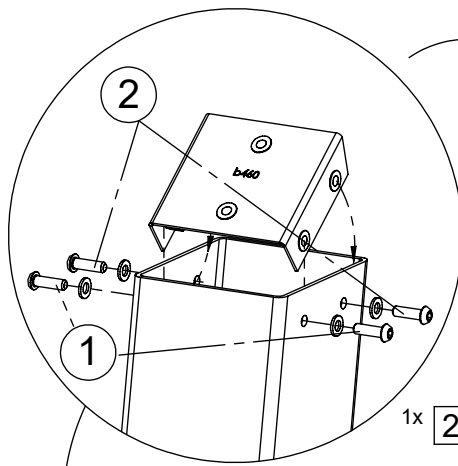


1x 11e021

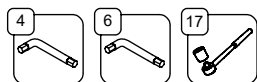
[cm]



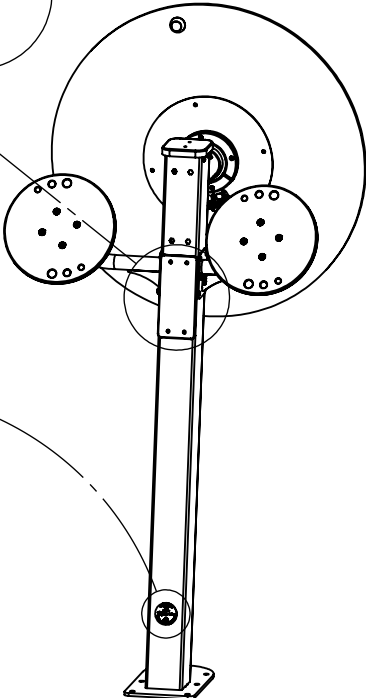
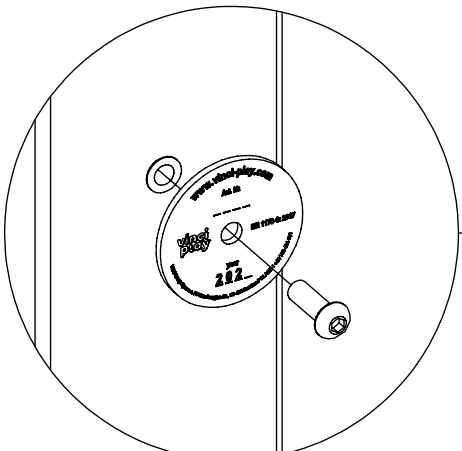
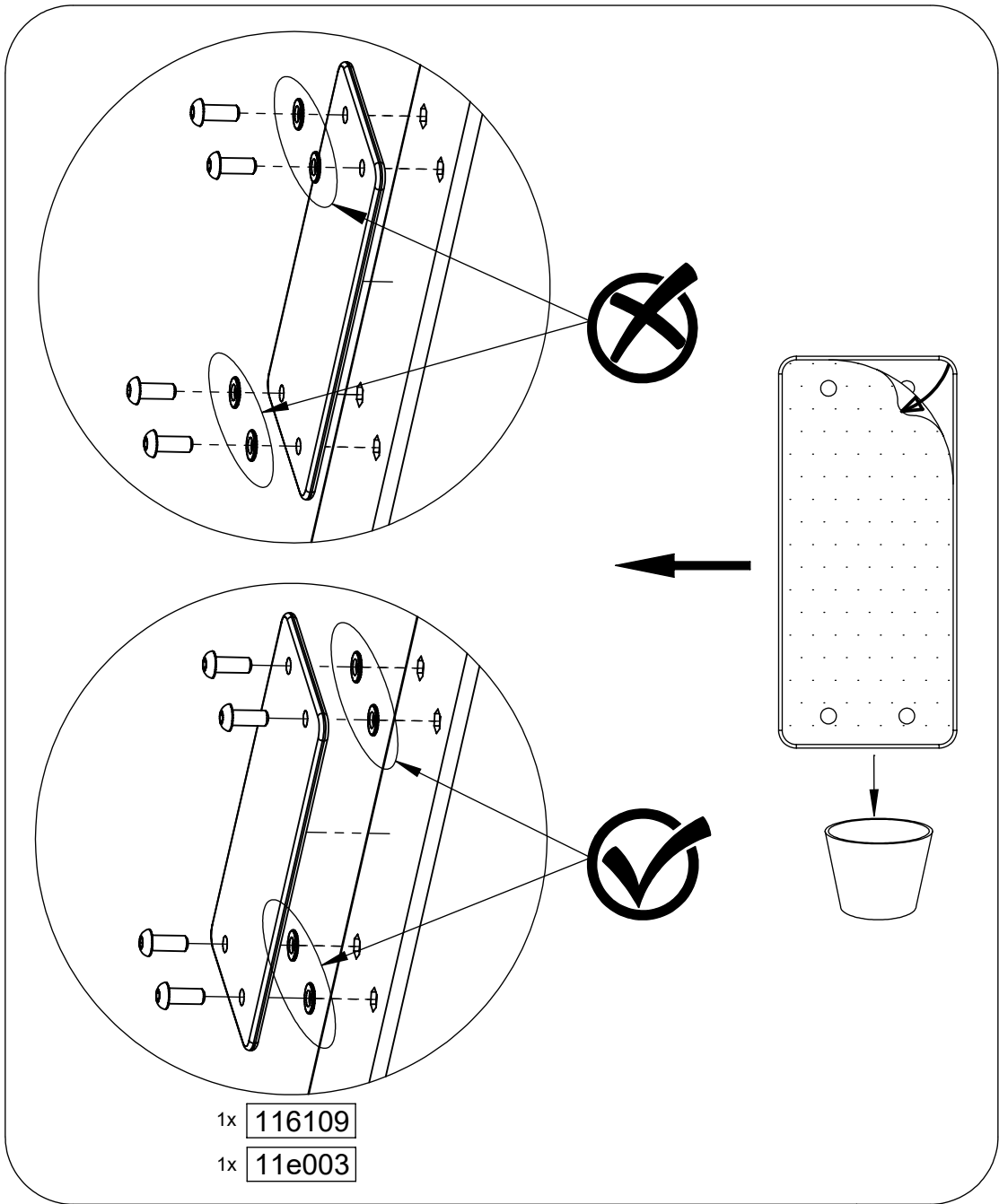
vinci
play



[cm]



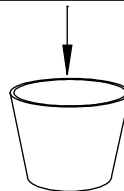
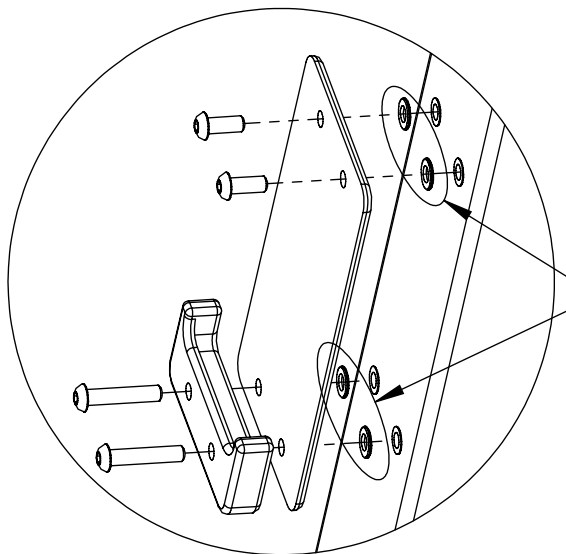
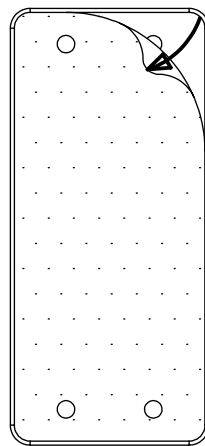
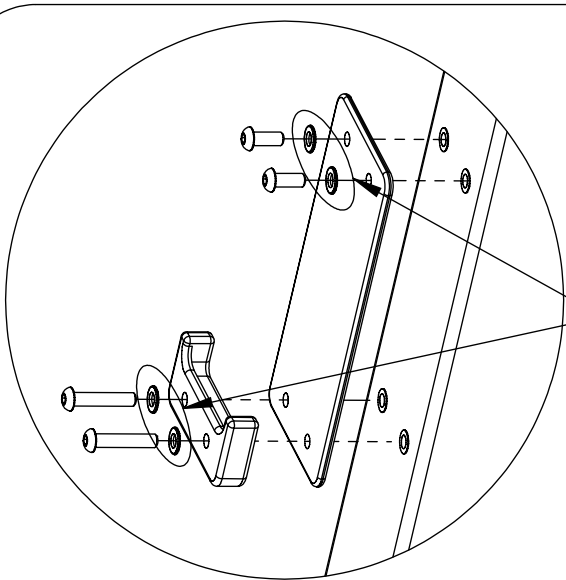
vinci
play



[cm]

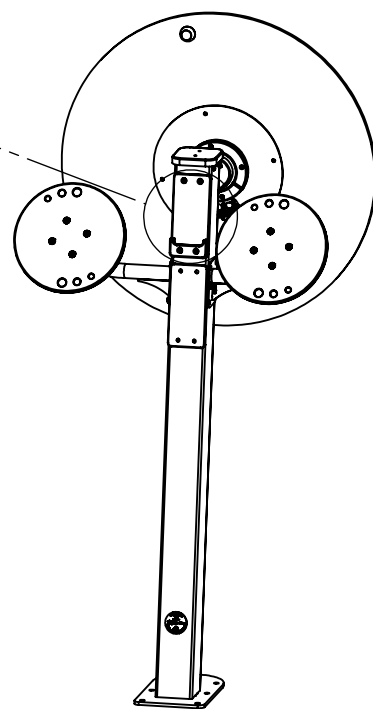
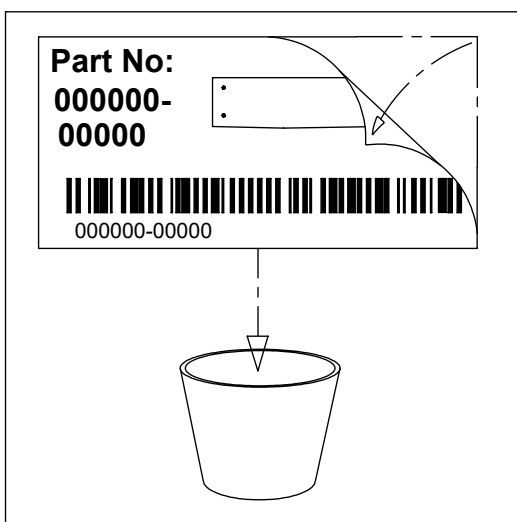


vinci
play



1x 116110

1x 11e002



[cm]



vinci
play