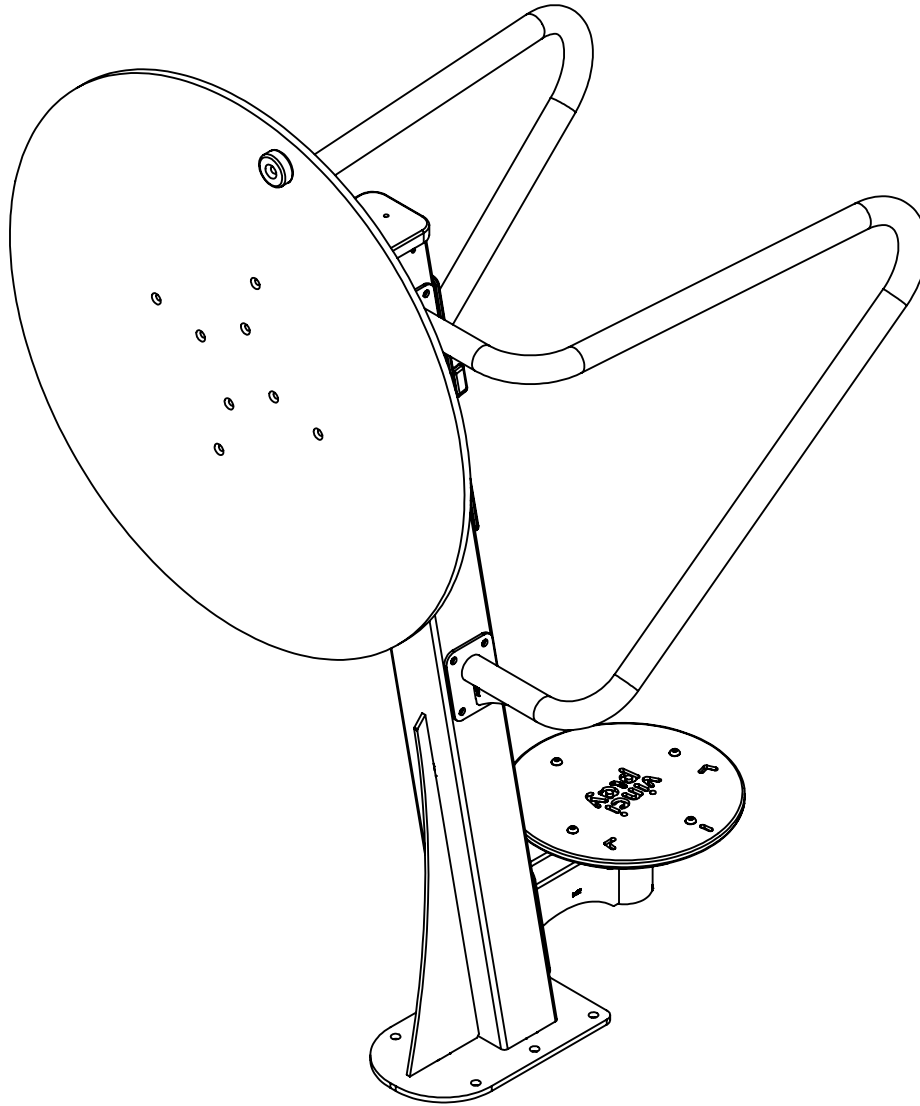
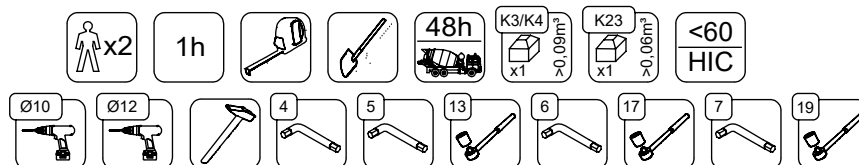


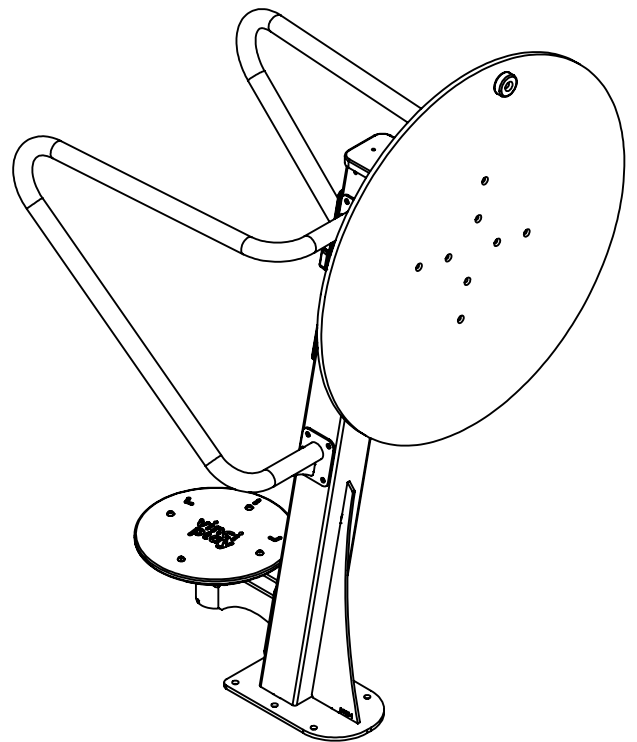
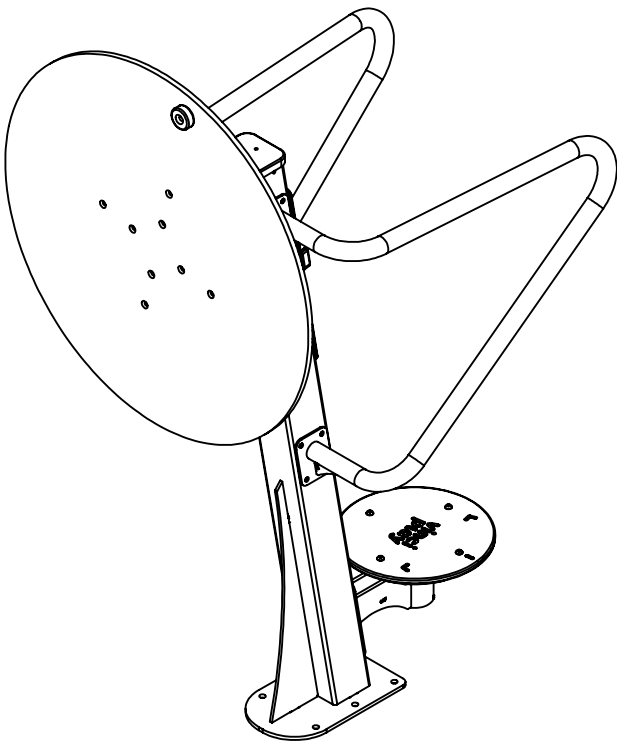
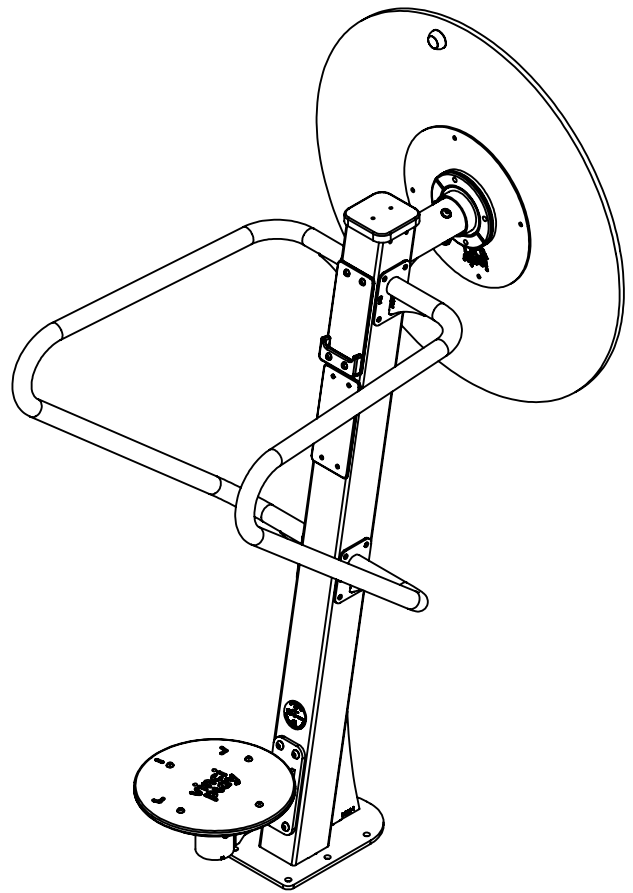
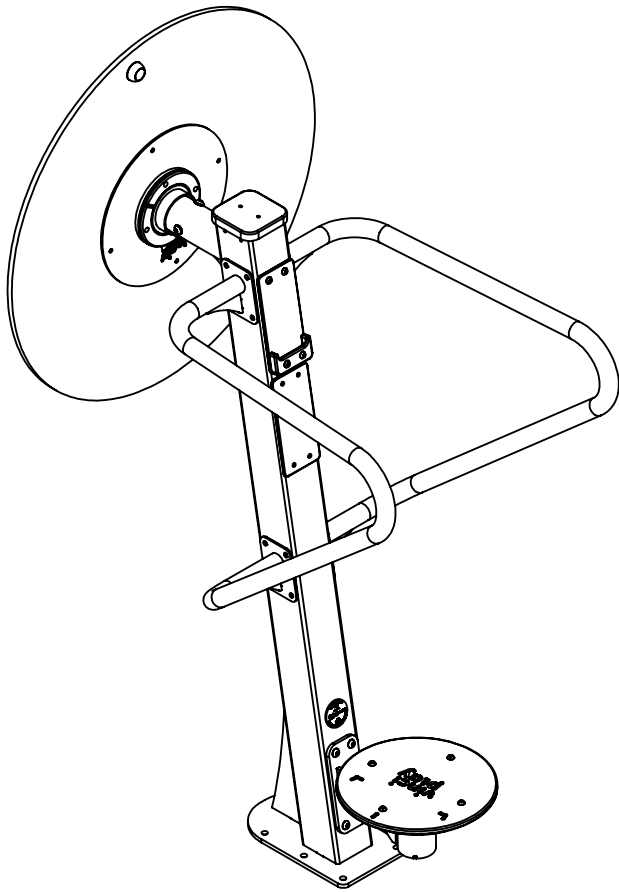
1144



v012
16.05.2023
K. M.
[cm]

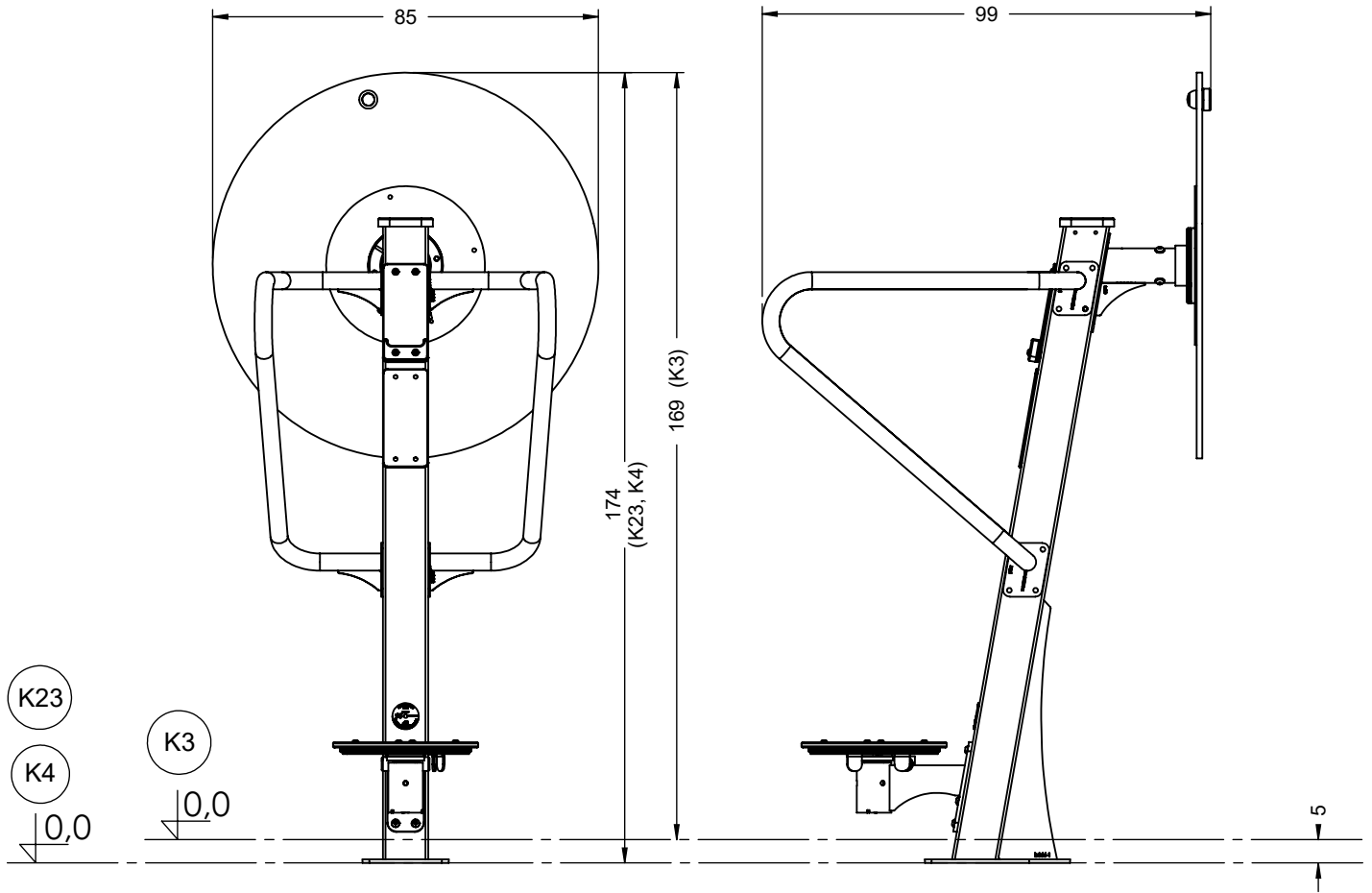


vinci
play



[cm]

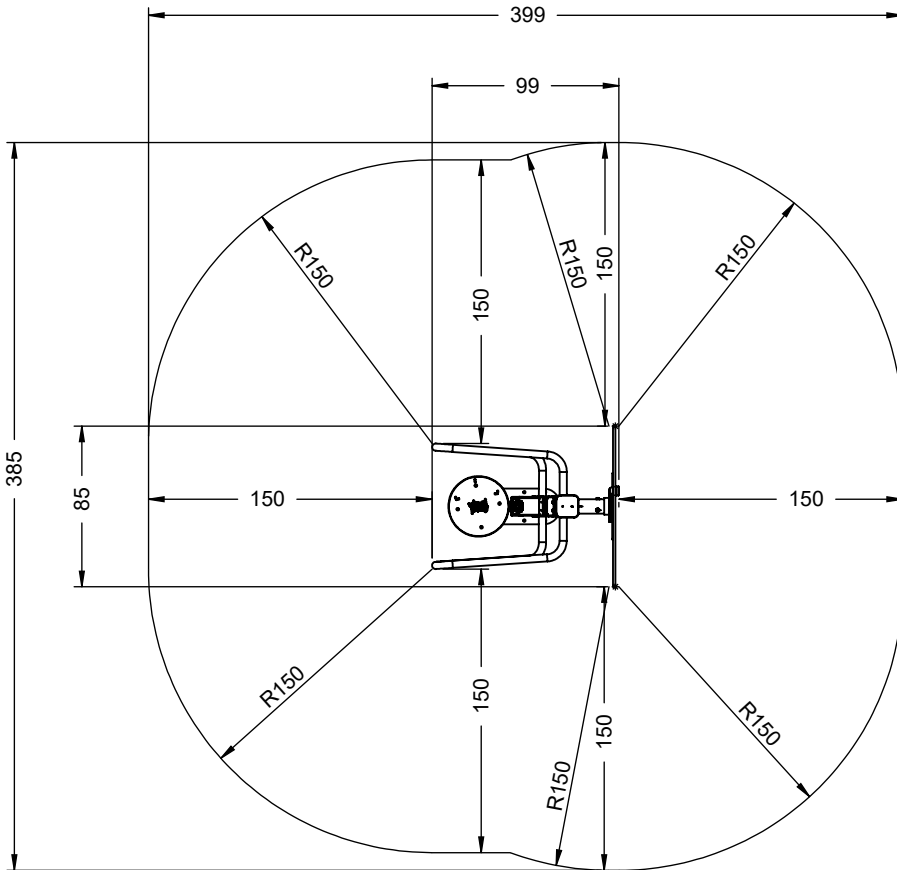
vinci
play



[cm]

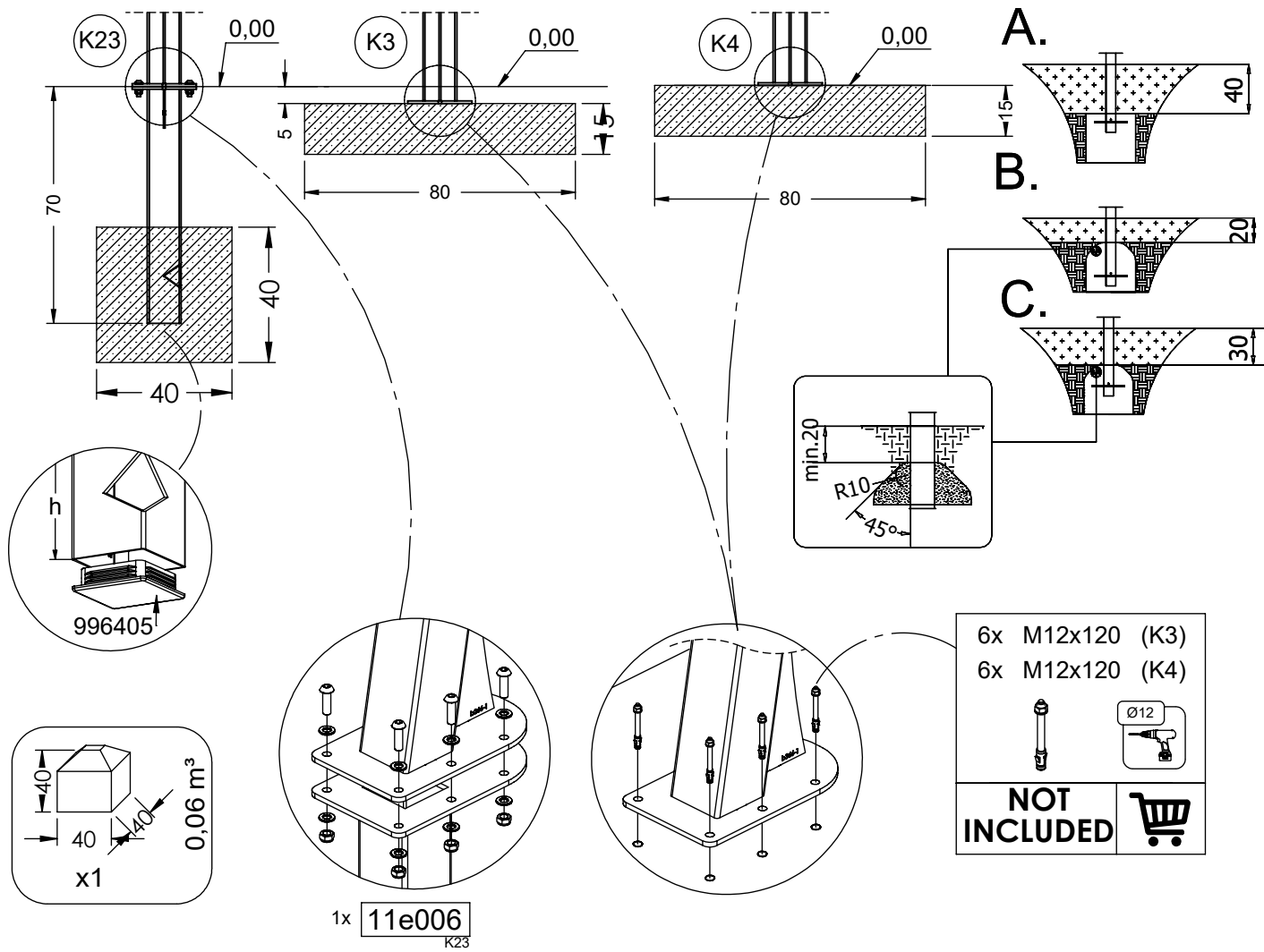


vinci
play

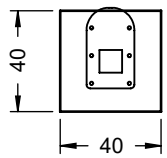


[cm]

vinci
play

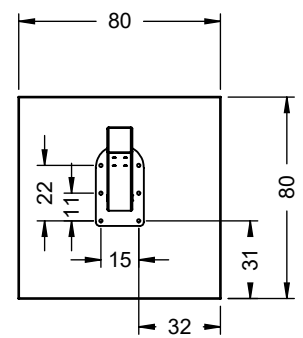


K23



K3

K4



[cm]



1h

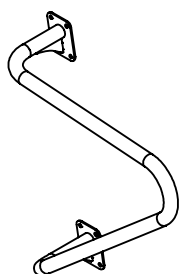


48h

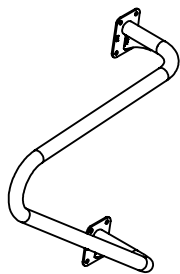
K3/K4
x1 >0,09m³

K23
x1 >0,06m³

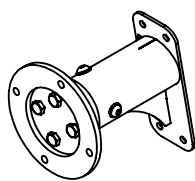
vinci play



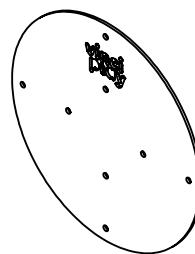
112175
112177 (inox)
x1



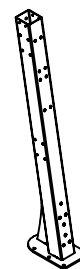
112176
112178 (inox)
x1



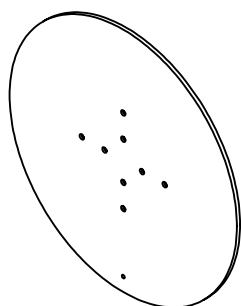
114138
114137 (inox)
x1



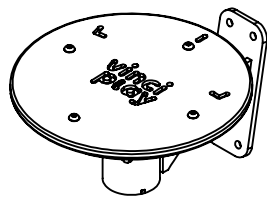
b465
i361 (inox)
x1



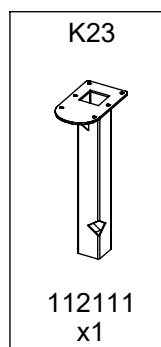
112217
112218 (inox)
x1



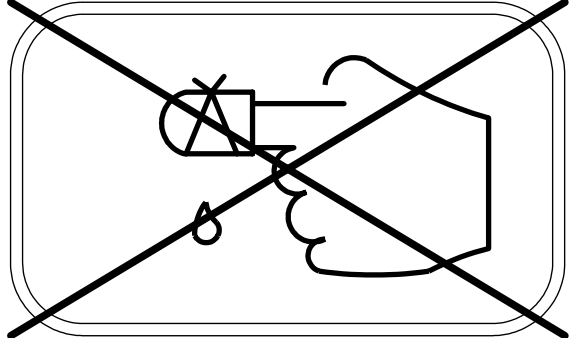
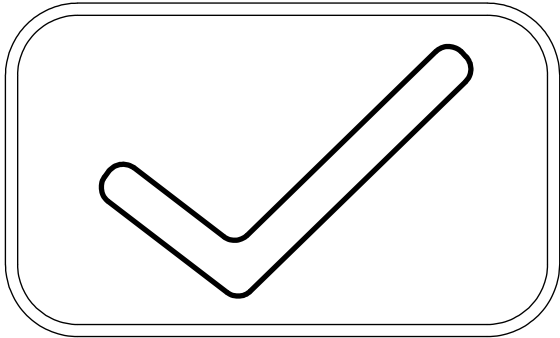
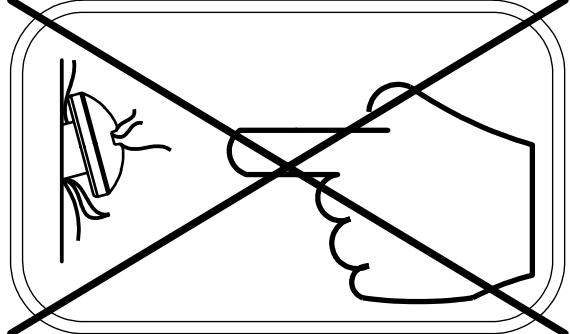
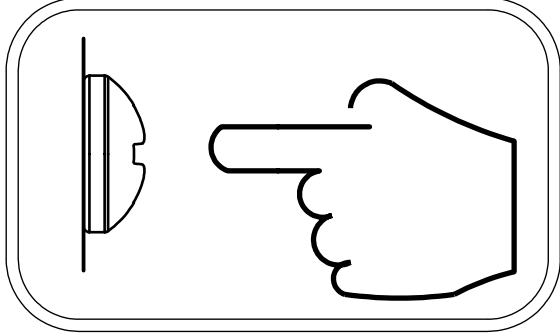
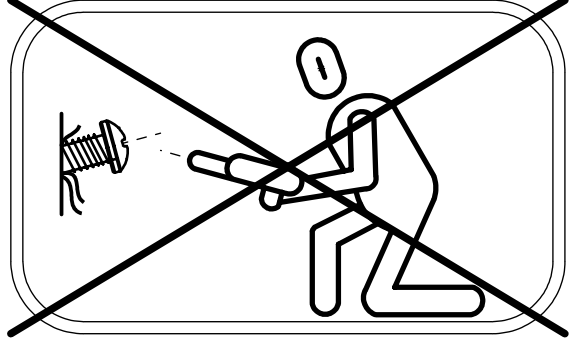
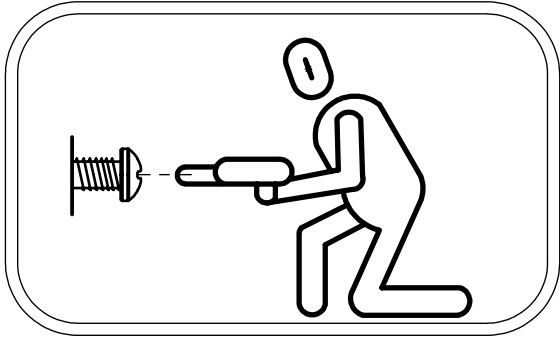
112111
x1

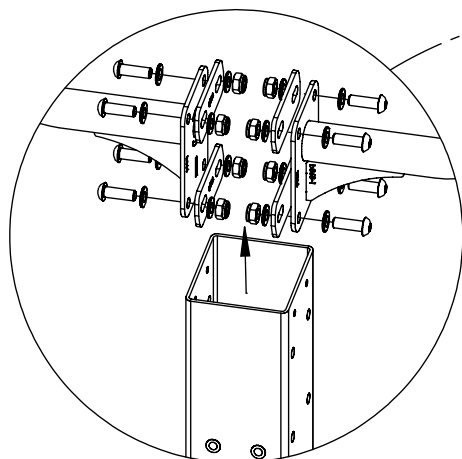


114132
114131 (inox)
x1

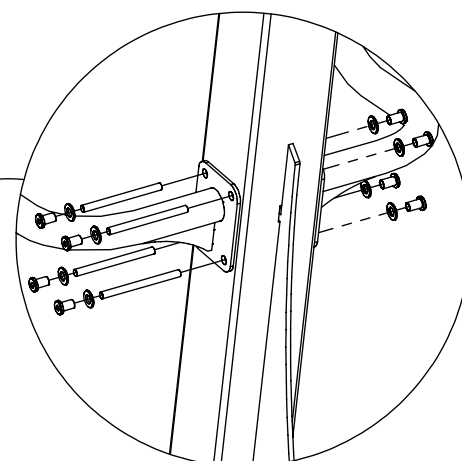
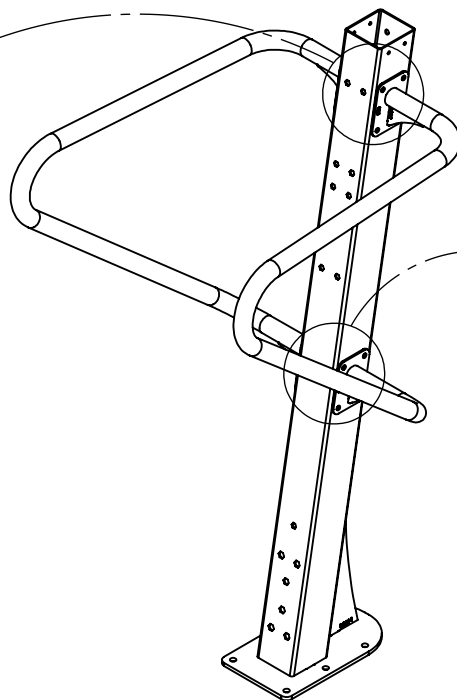


| ST/INOX | |
|---------|--------------|
| 1x | 11e006 (K23) |
| 1x | 23e001 |
| 1x | 11e002 |
| 1x | 11e003 |
| 3x | 11e004 |
| 1x | 11e005 |
| 1x | 11e016 |
| 1x | 11e021 |
| 1x | 11e022 |
| 1x | 116108 |
| 1x | 116110 |
| 1x | 996405 (K23) |
| 1x | V003 |

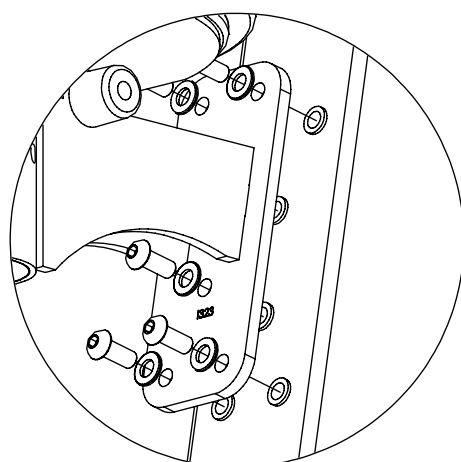




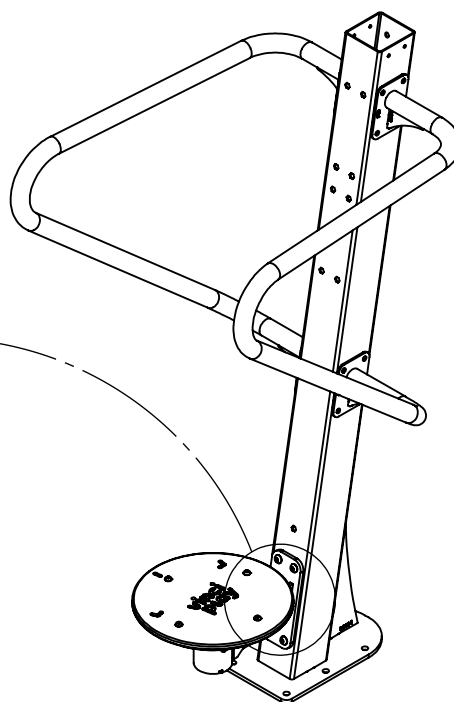
2x 11e004



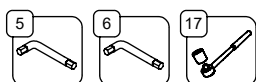
1x 11e005



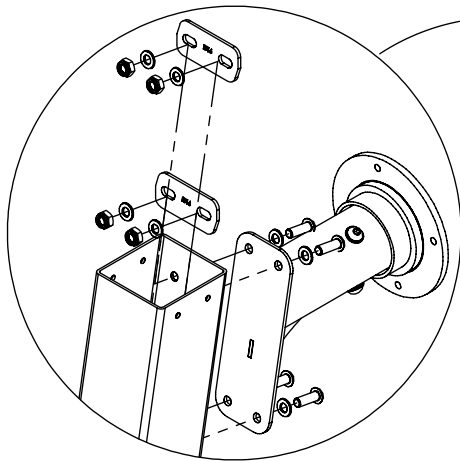
1x 11e016



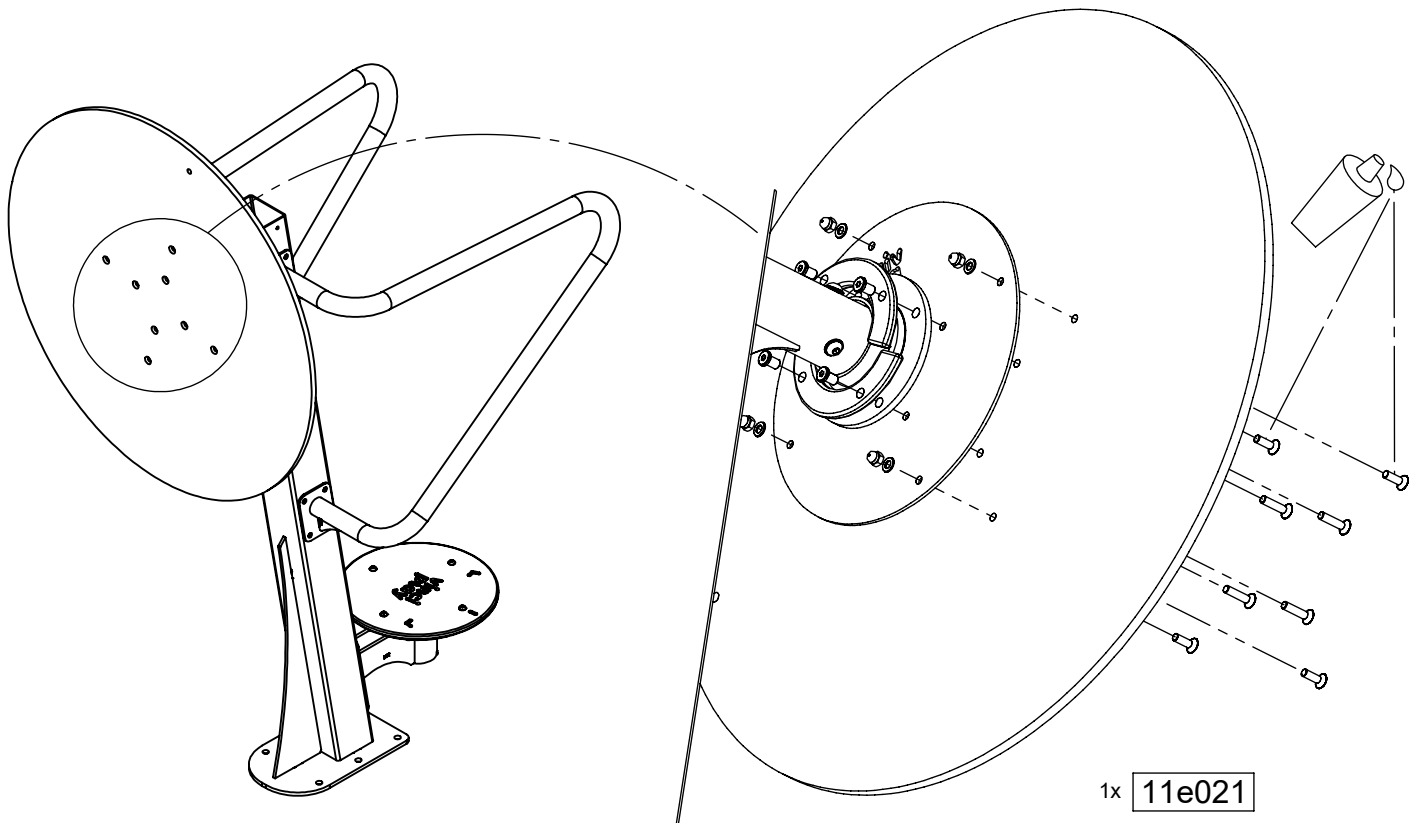
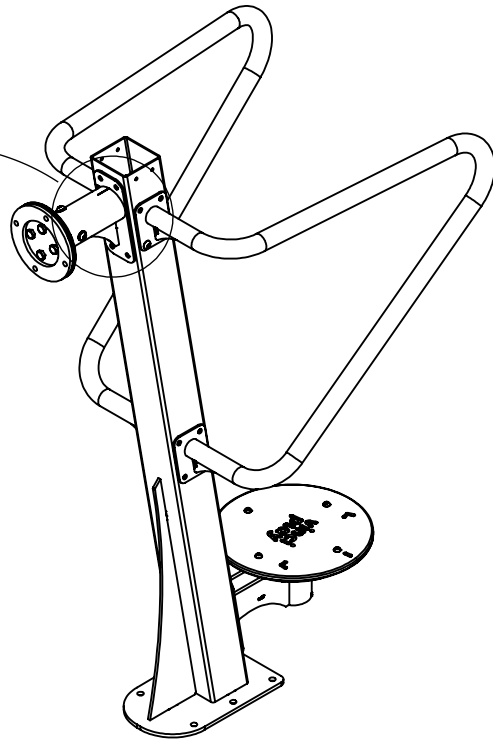
[cm]



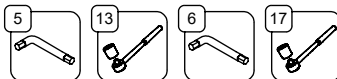
vinci
play



1x 11e004

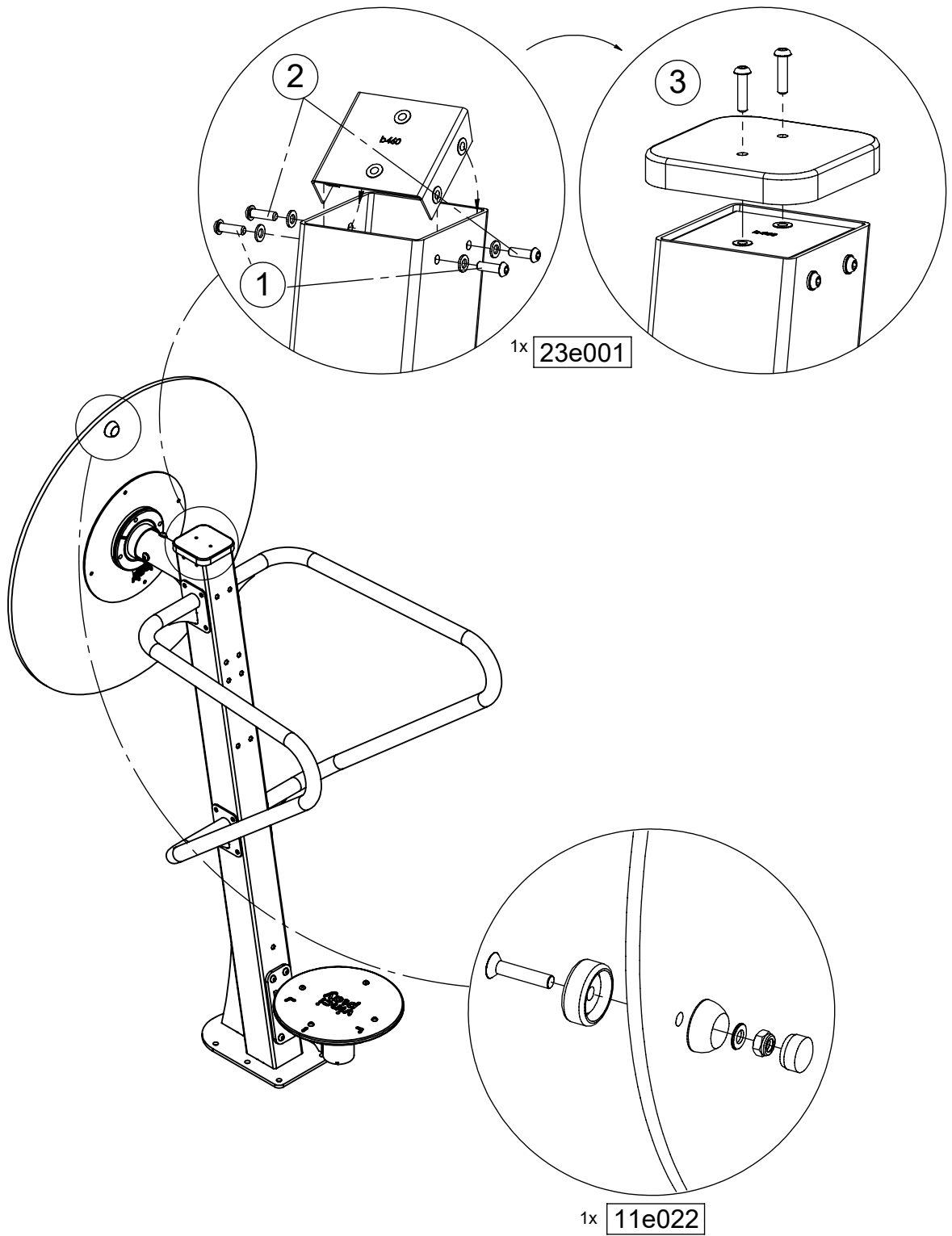


1x 11e021



[cm]

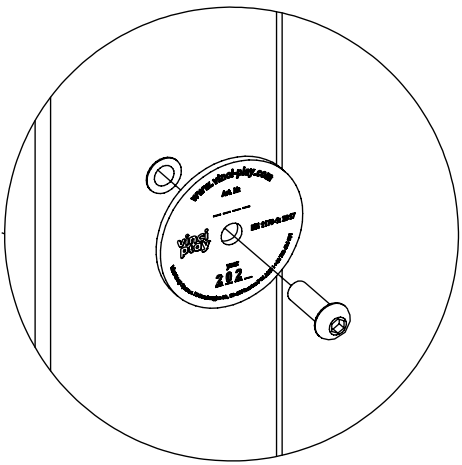
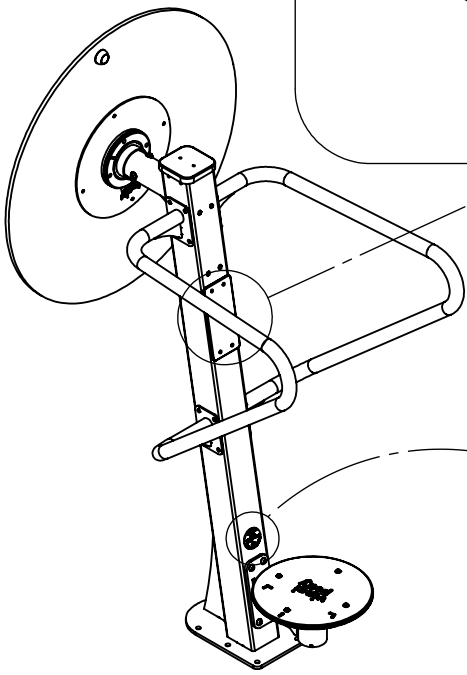
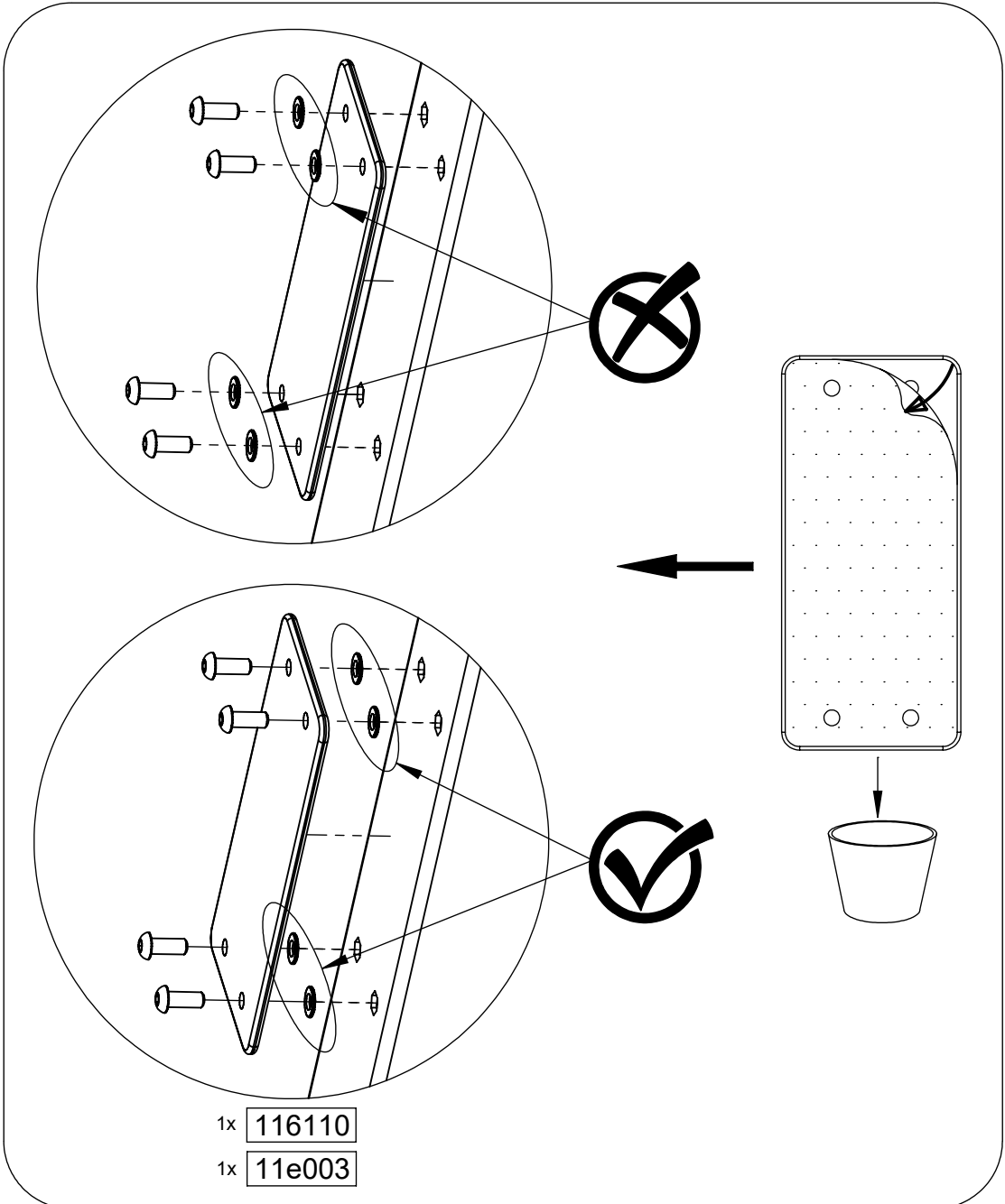
vinci
play



[cm]



vinci
play

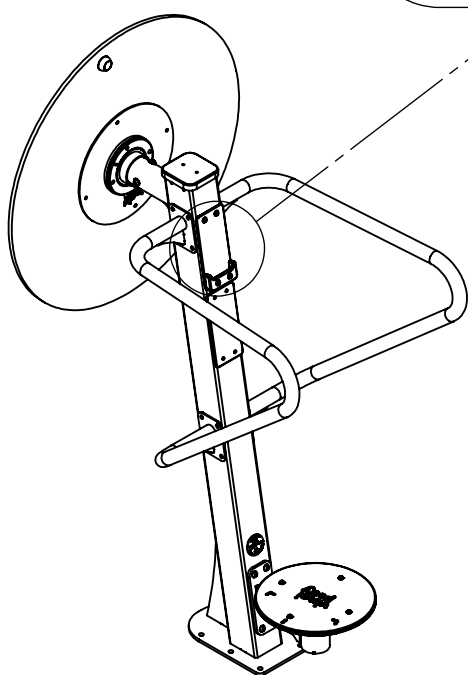
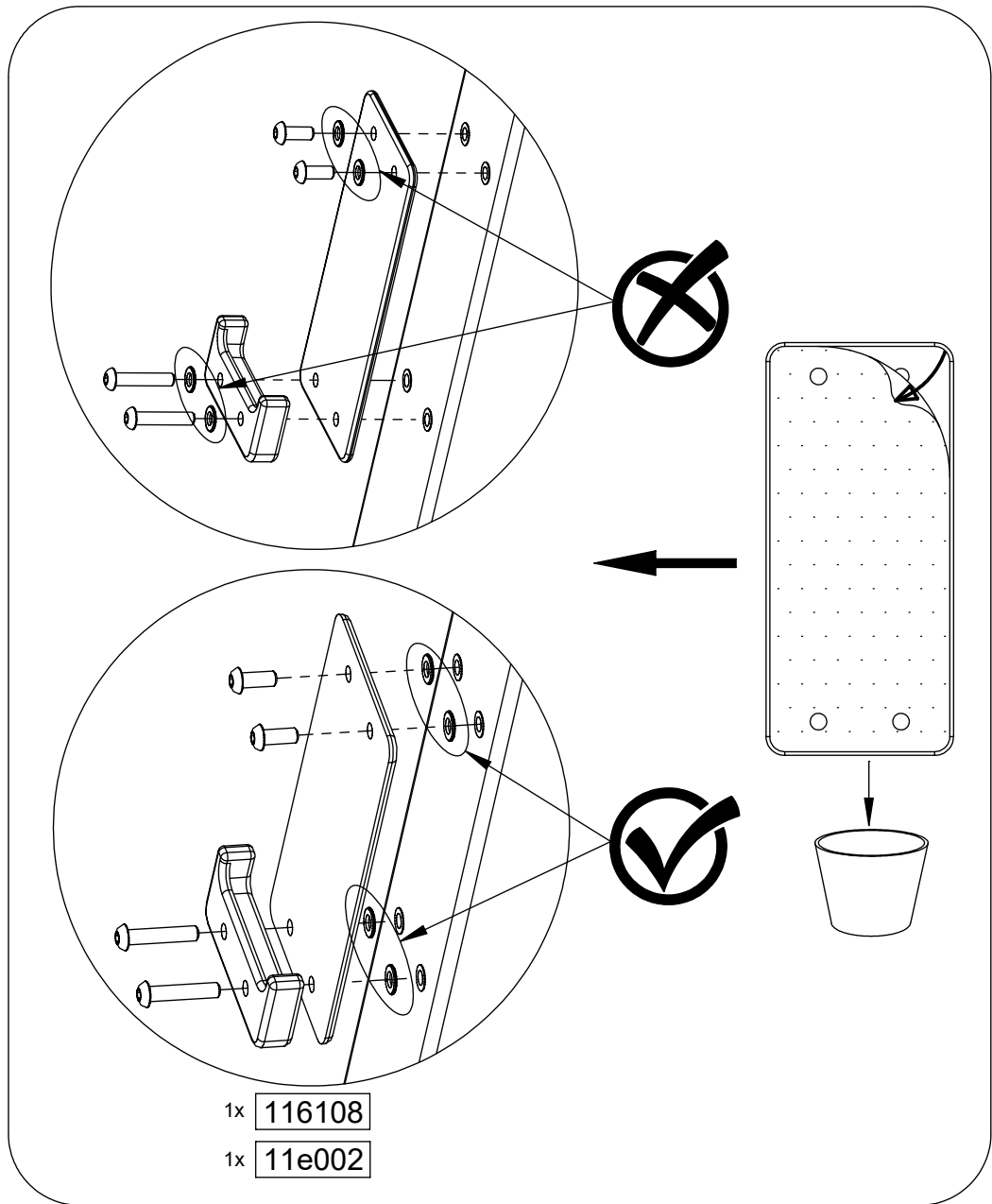


1x V003



[cm]

vinci
play



Part No:
00000-
00000

000000-00000

[cm]



vinci
play