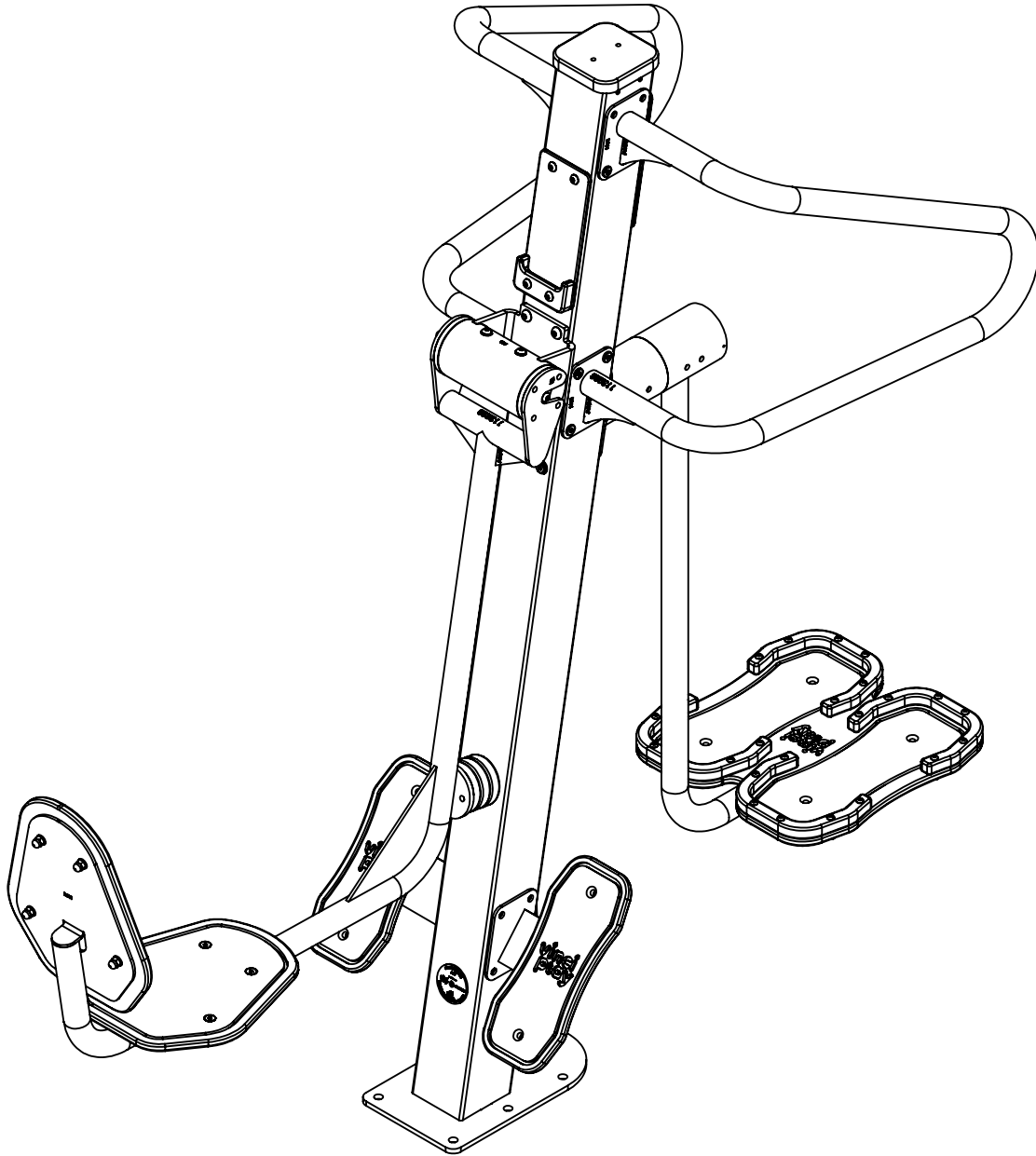
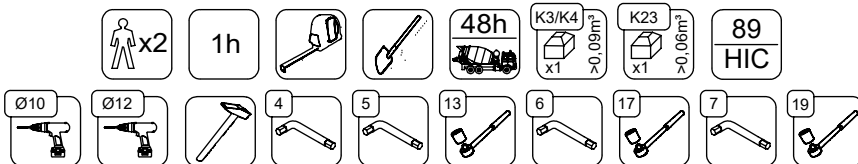


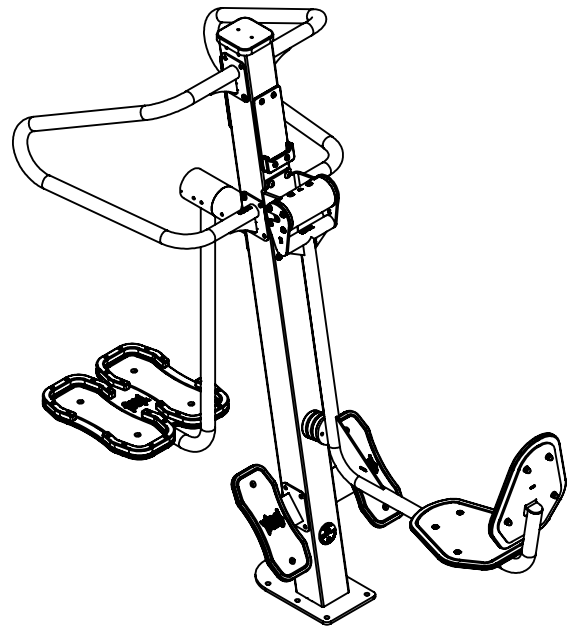
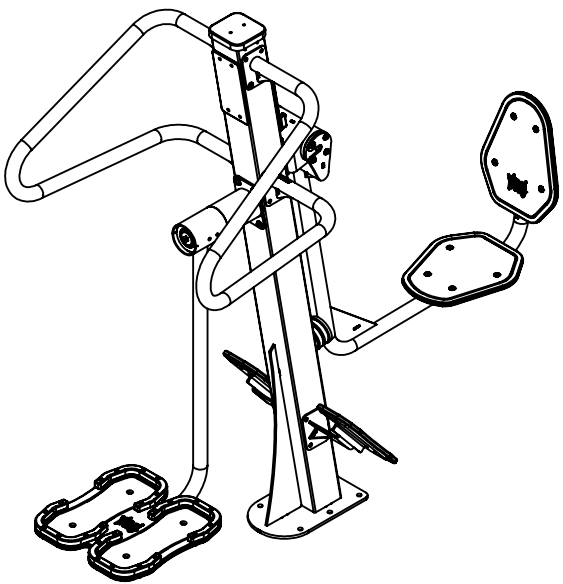
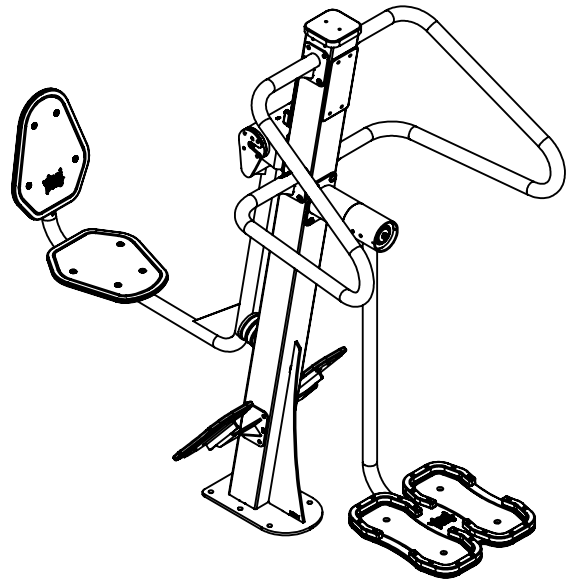
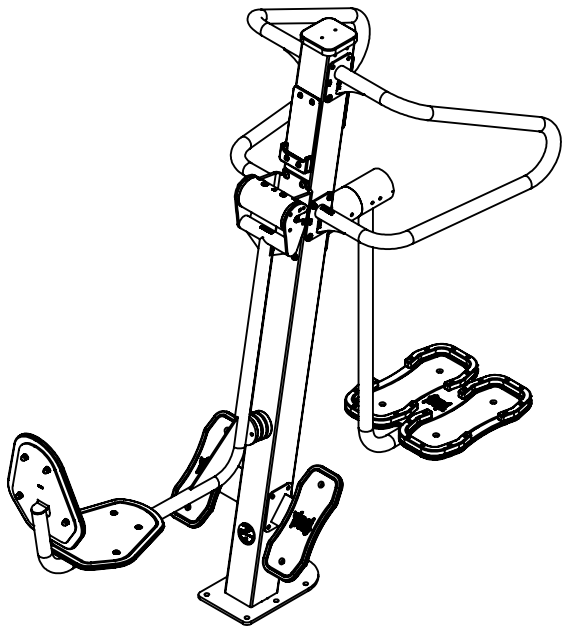
# 1143

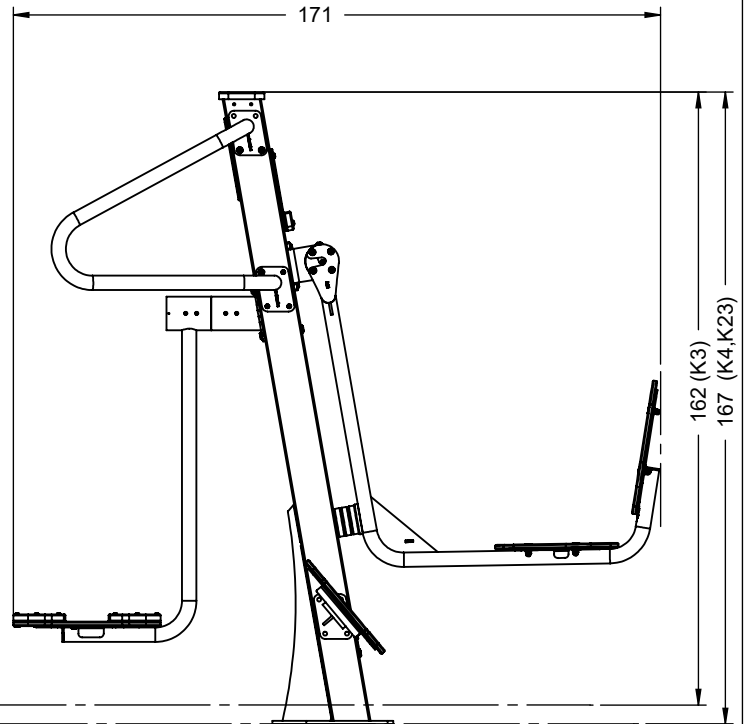
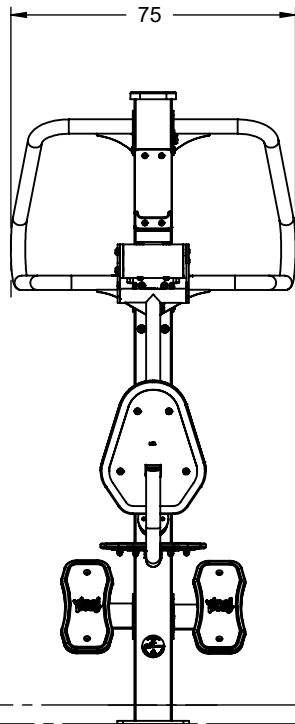


v012  
16.05.2023  
K. M.  
[cm]



vinci  
play





K23

K4

K3

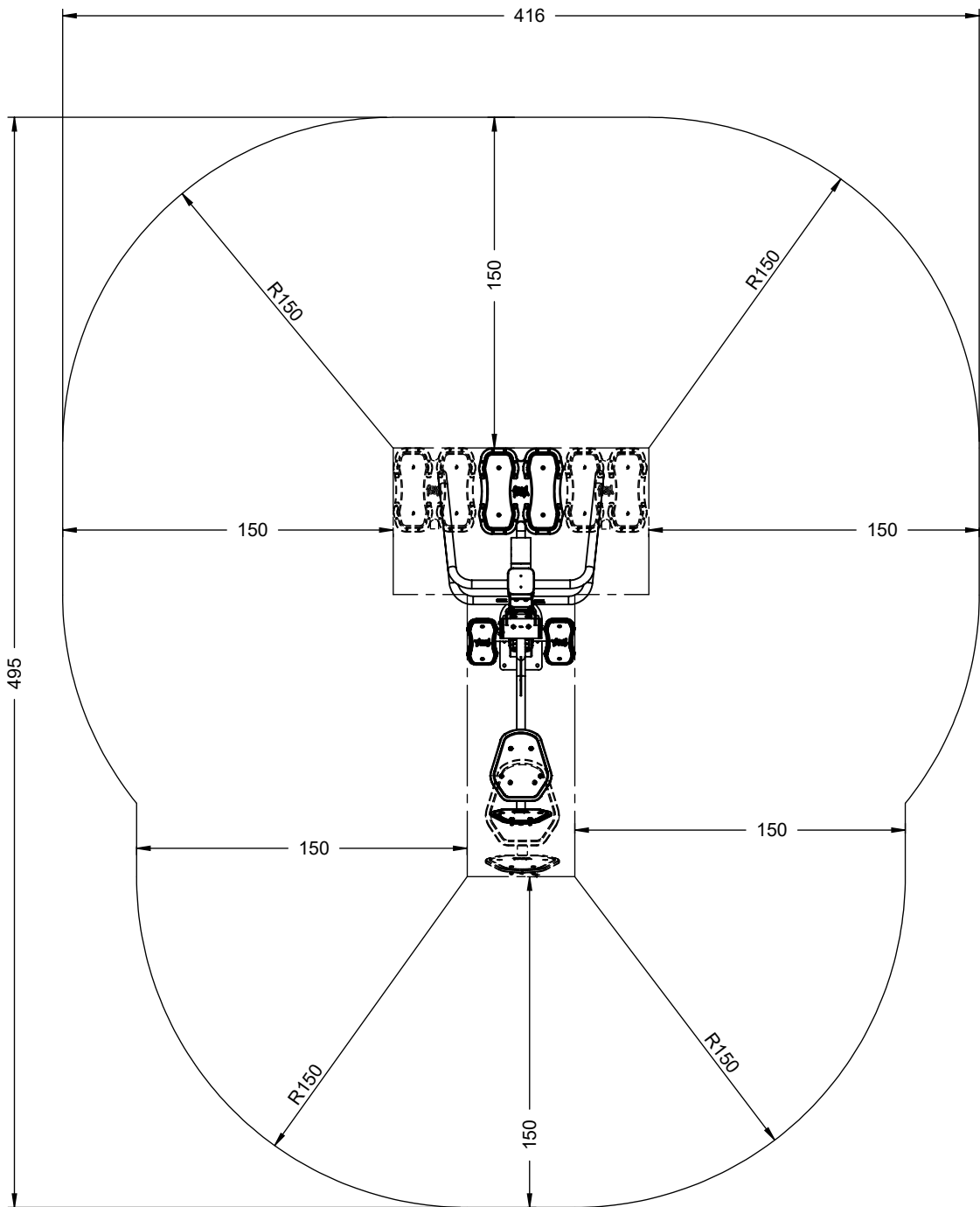
0,0

0,0

[cm]



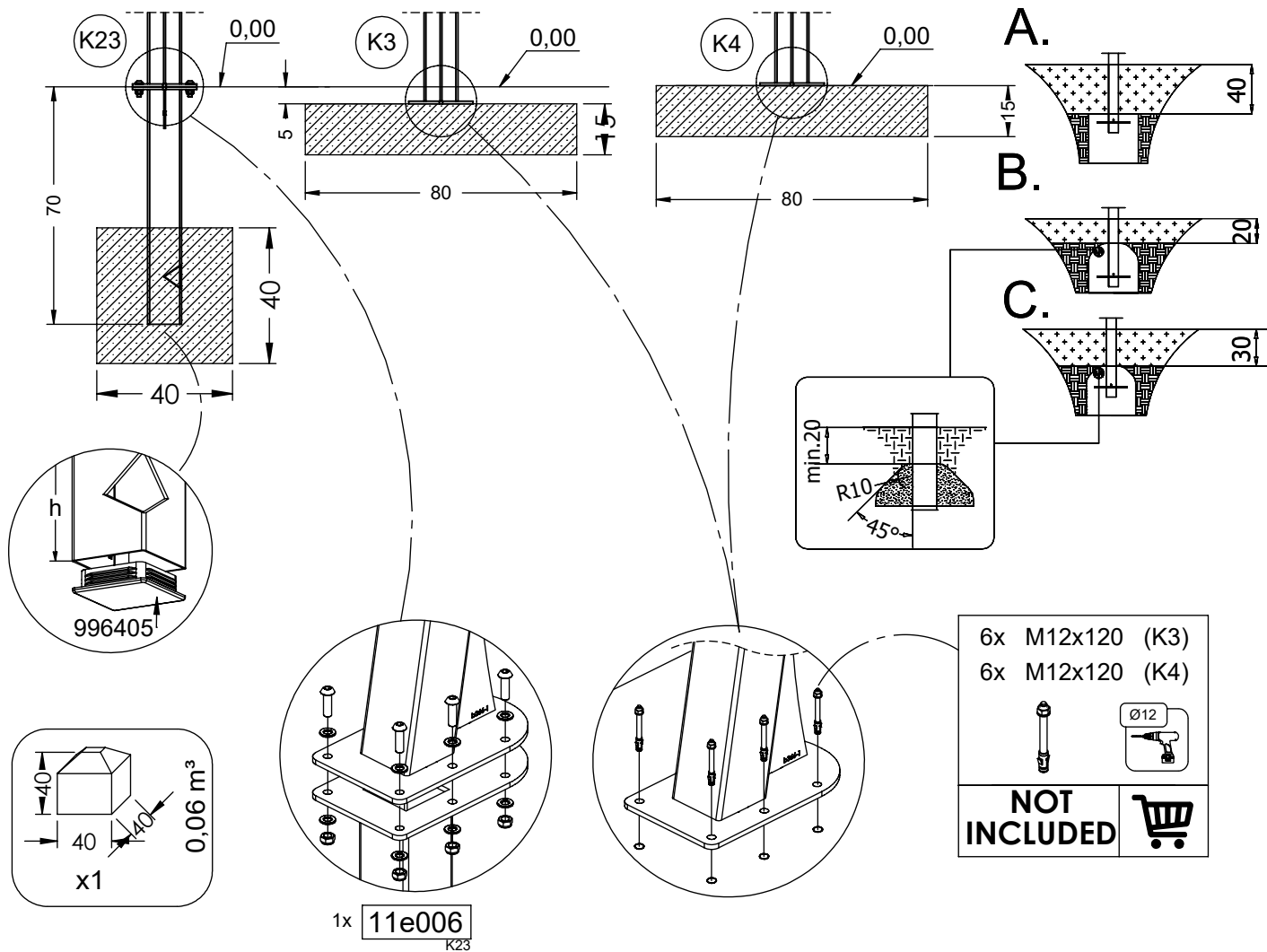
vinci  
play



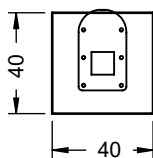
[cm]



vinci  
play

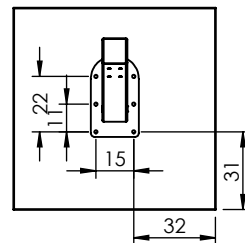


K23



K3

K4



[cm]



1h



48h



K3/K4

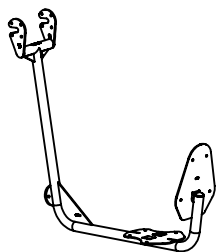
x1 >0,09m<sup>3</sup>



K23

x1 >0,06m<sup>3</sup>

vinci play



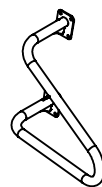
112285  
112286 (inox)  
x1



112190  
112202 (inox)  
x1



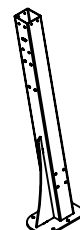
112191  
112254 (inox)  
x1



112299  
112301 (inox)  
x1



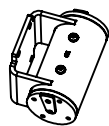
112300  
112302 (inox)  
x1



112290  
112291  
(inox)  
x1



114111  
114112 (inox)  
x1



114142  
114143 (inox)  
x1



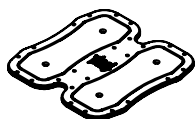
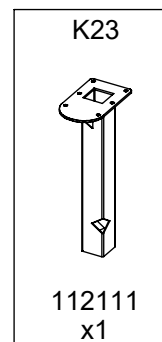
111108  
x1



111102  
x1

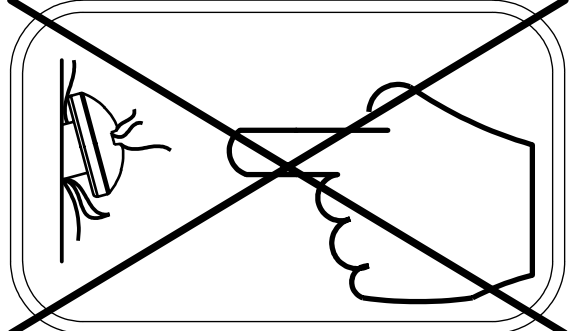
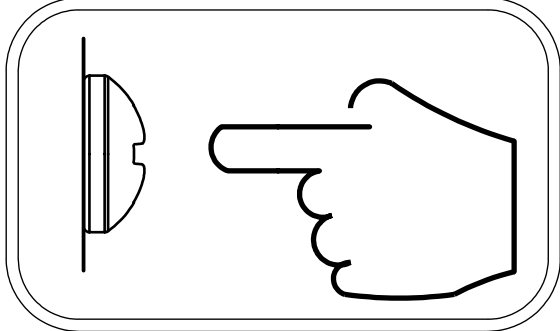
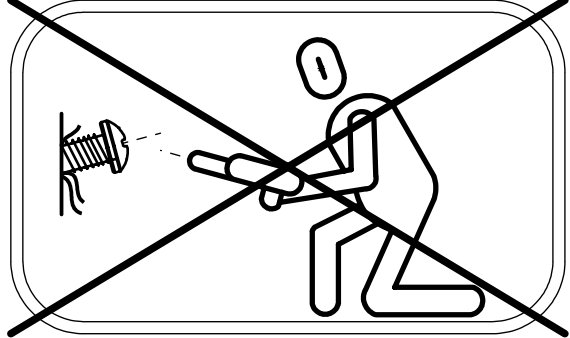


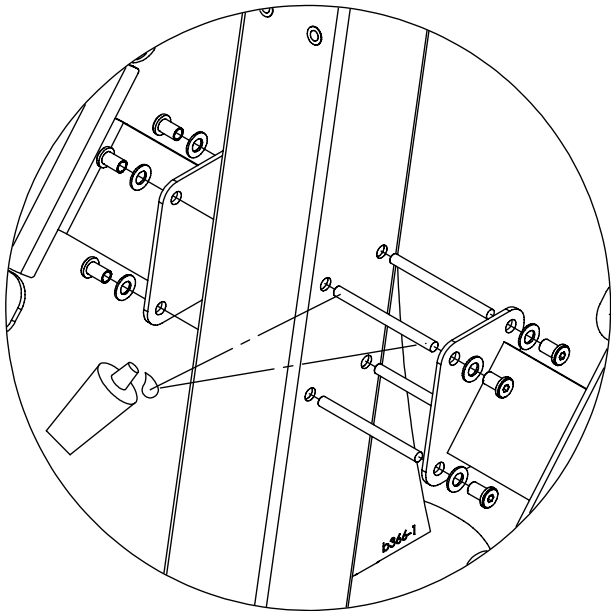
111131  
x2



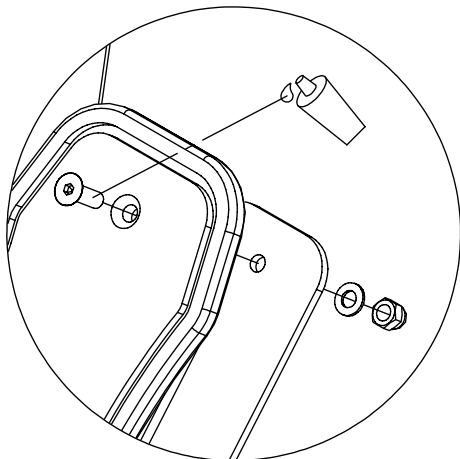
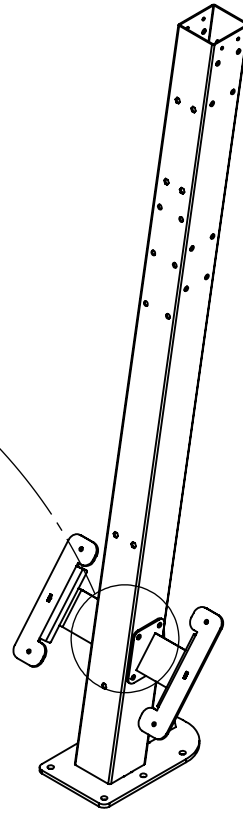
111114  
x1

1x	996405 (K23)
1x	11e006 (K23)
1x	11e004
3x	11e005
1x	11e013
4x	11e009
1x	11e010
2x	11e011
1x	11e003
1x	11e002
1x	116111
1x	116107
1x	23e001
1x	11e026
1x	11e027
1x	V003

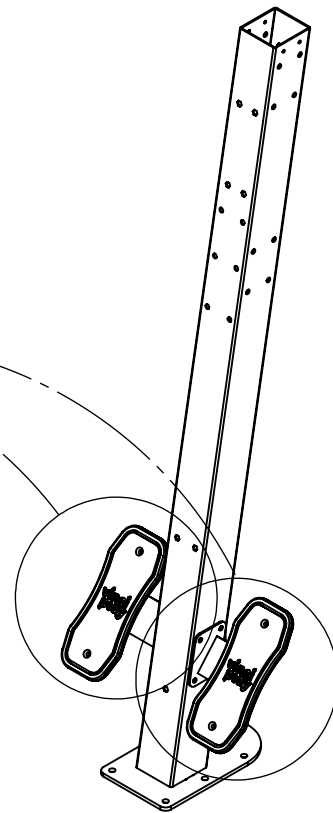




1x 11e005



1x 11e009

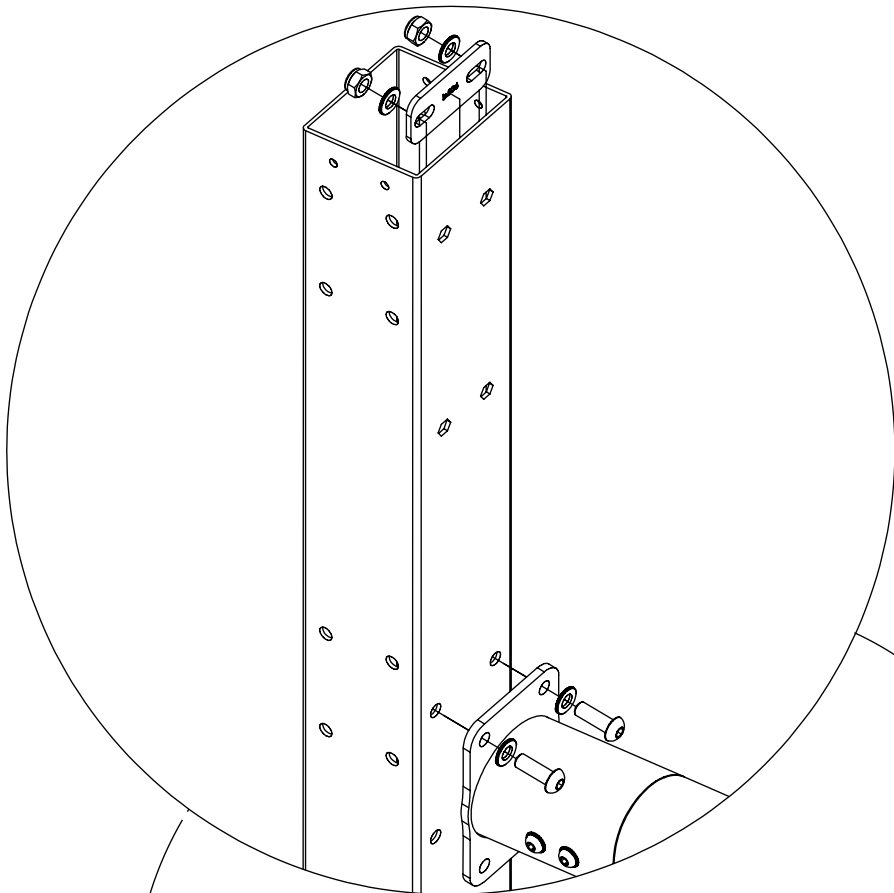


[cm]

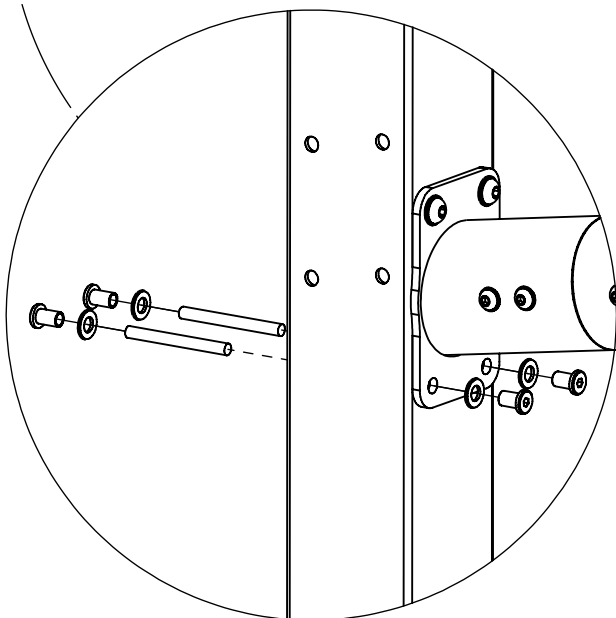


vinci  
play

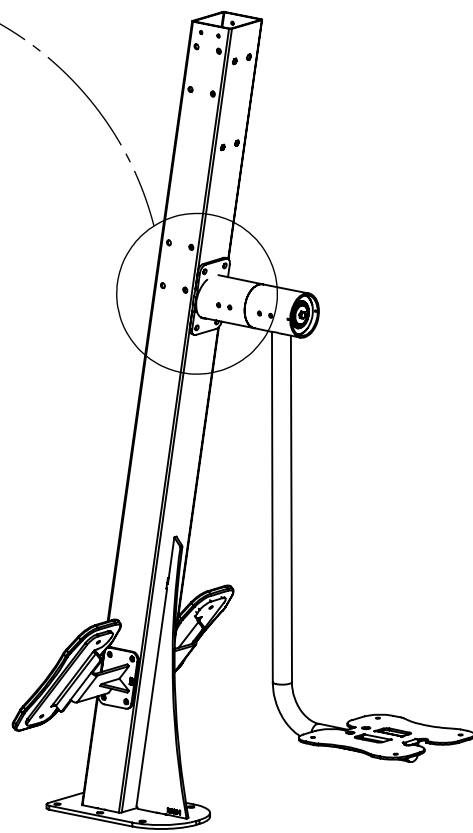




1x 11e026



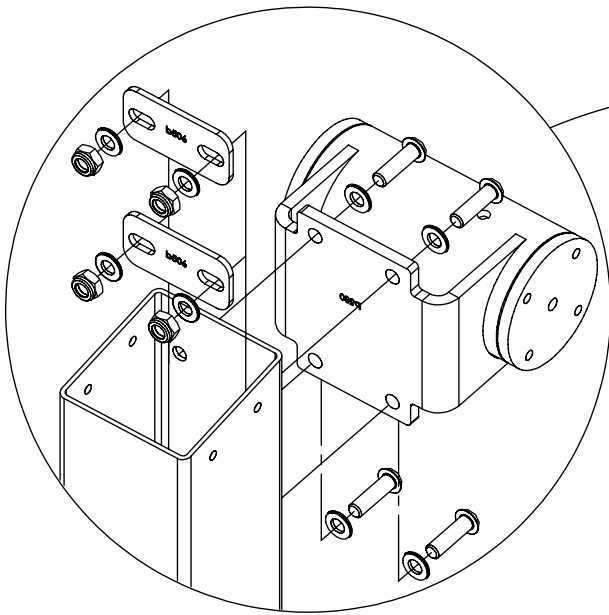
1x 11e027



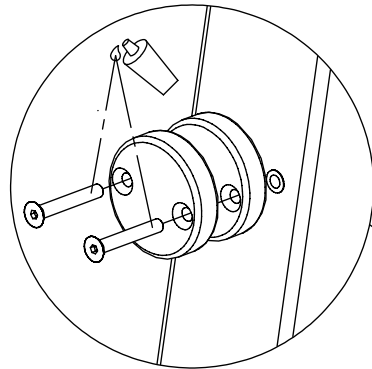
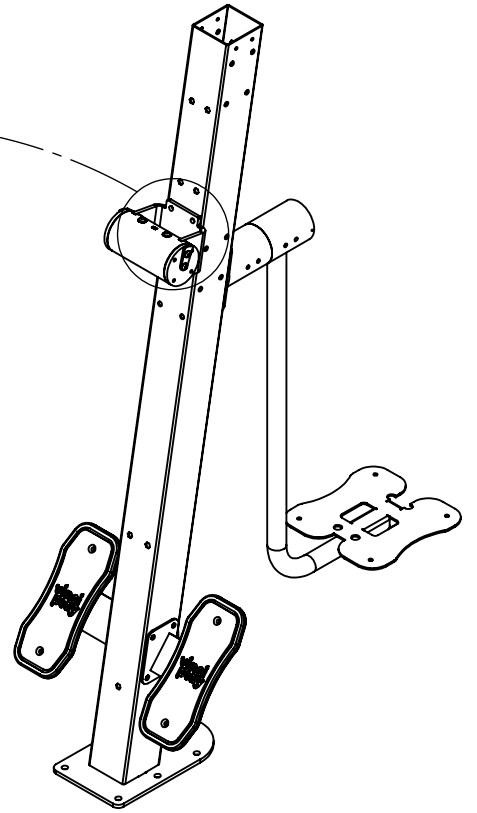
[cm]



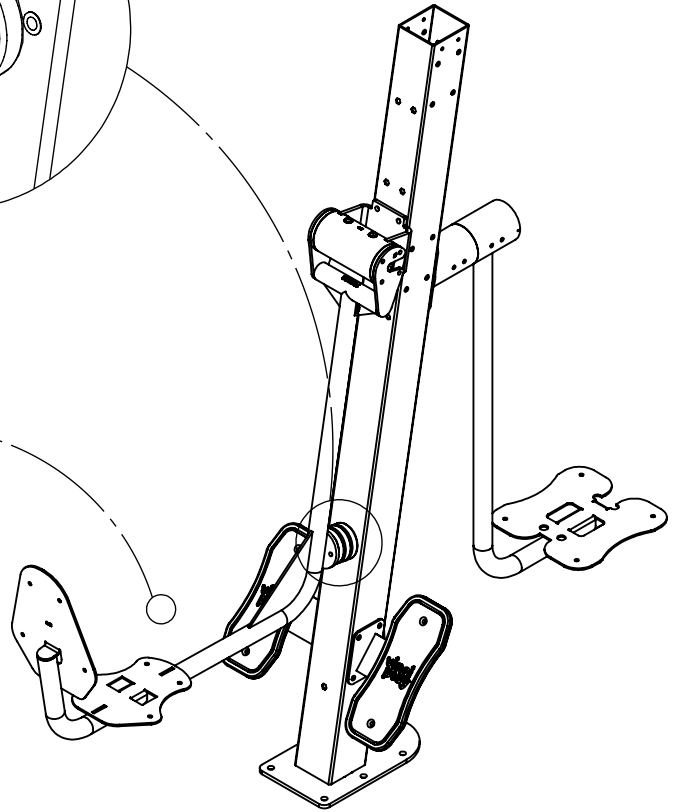
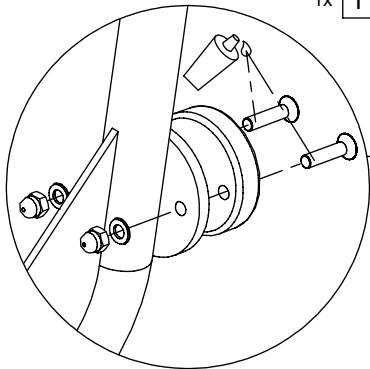
vinci  
play



1x 11e004



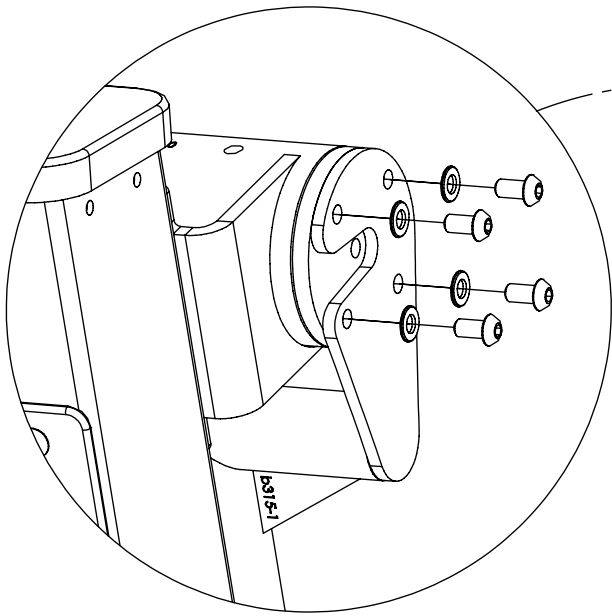
1x 11e013



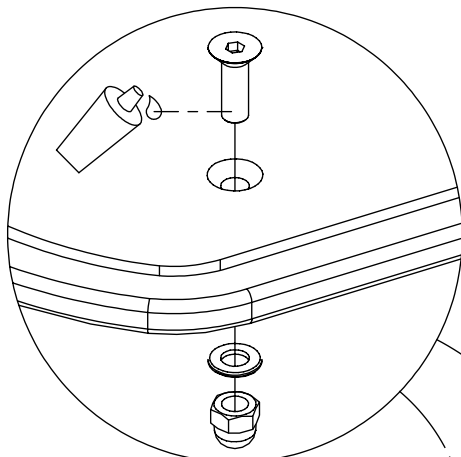
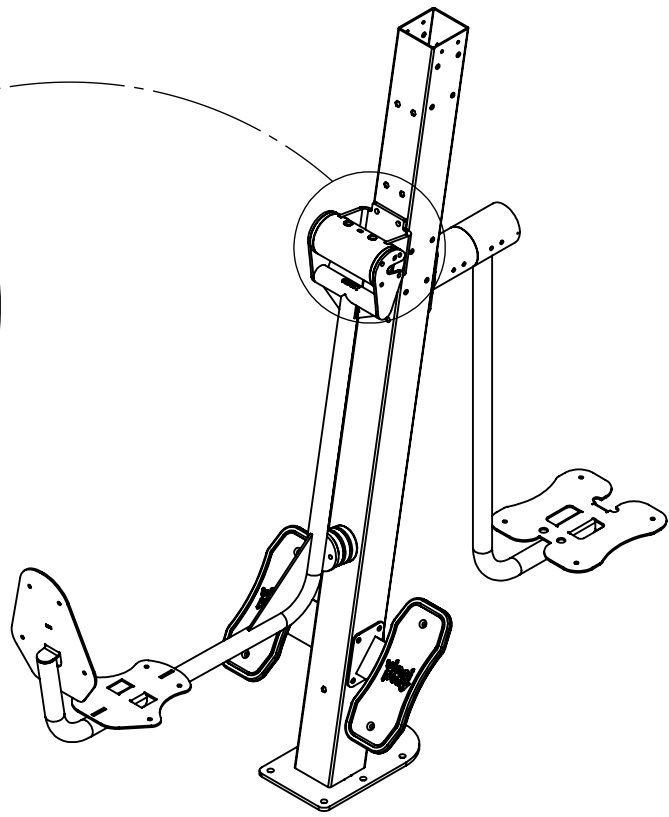
[cm]



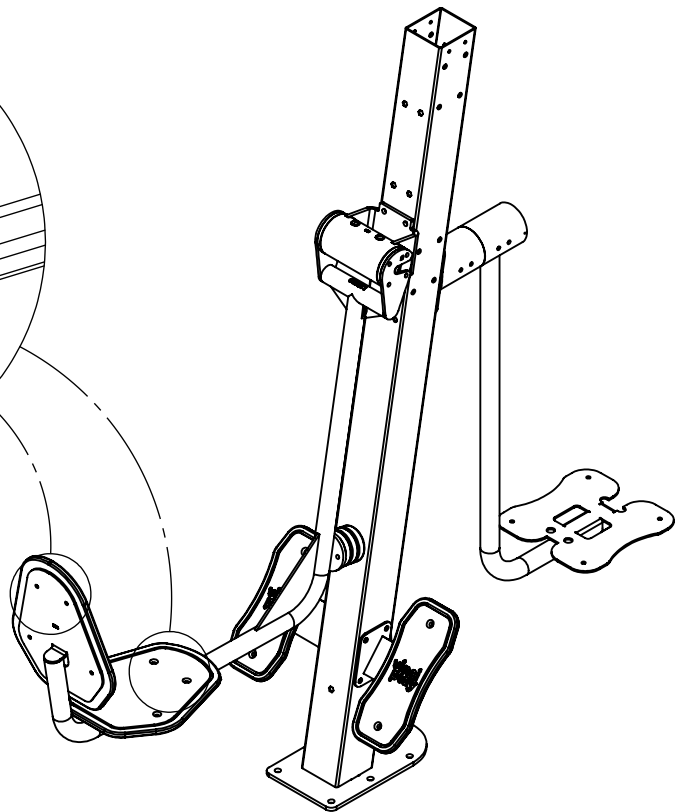
vinci  
play



1x 11e010



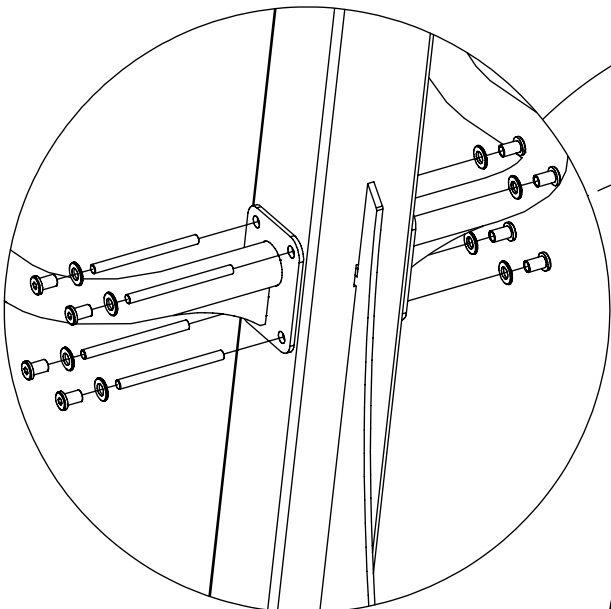
2x 11e009



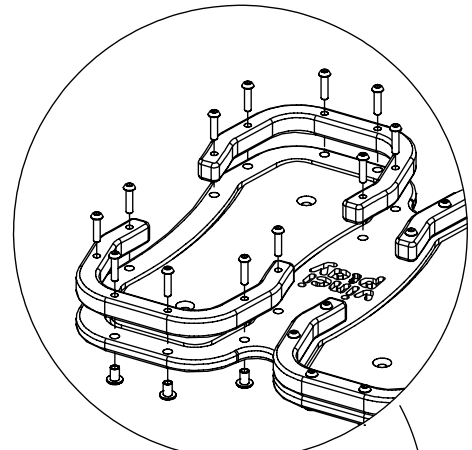
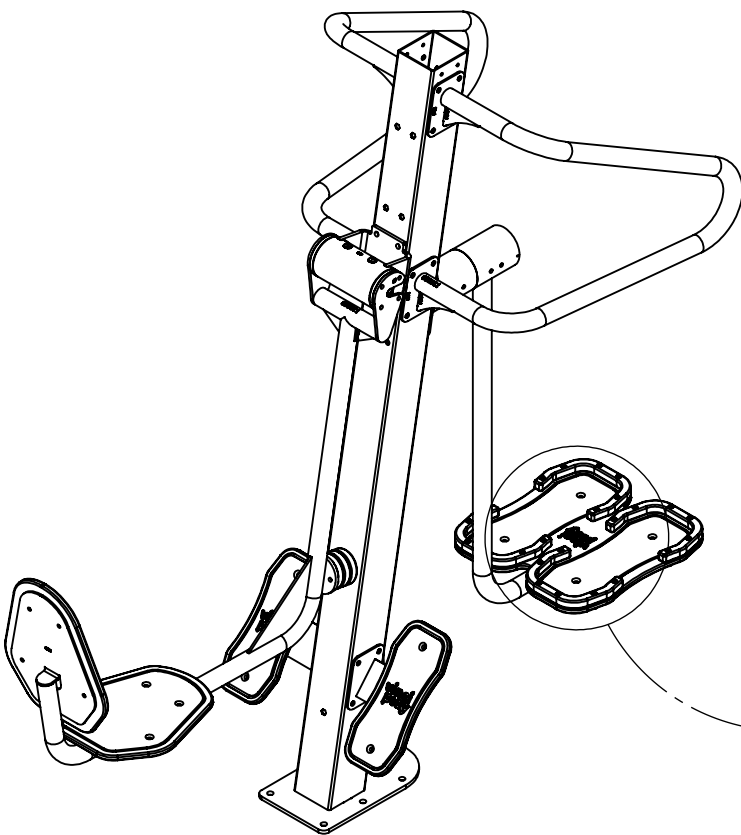
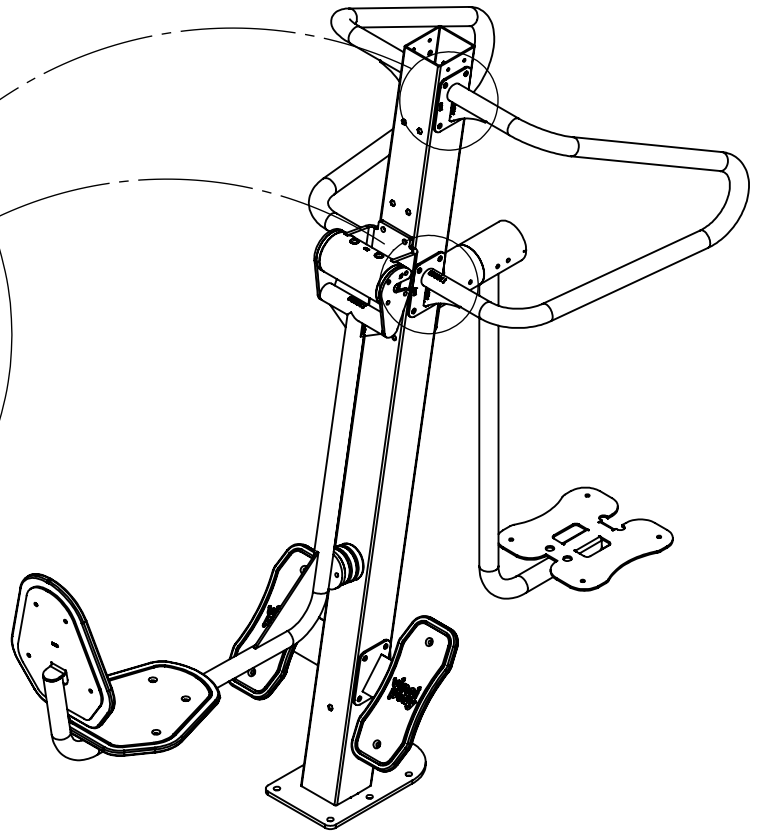
[cm]



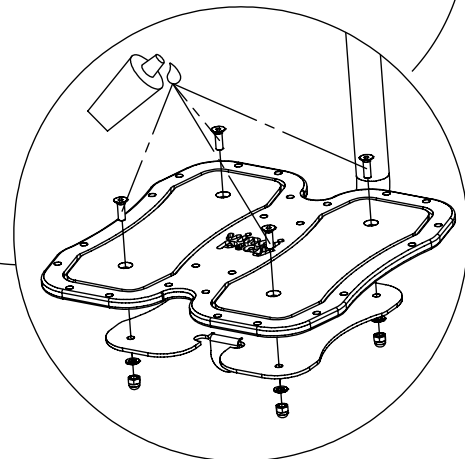
vinci  
play



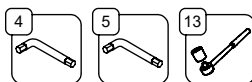
2x 11e005



2x 11e011

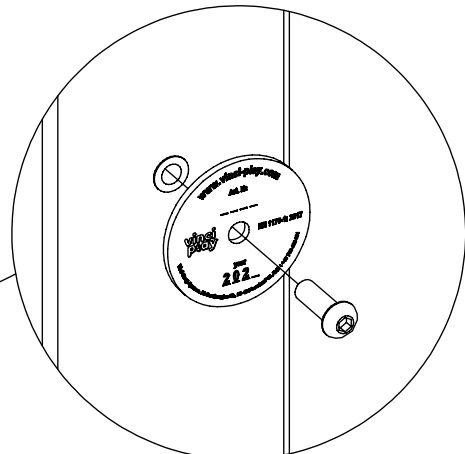
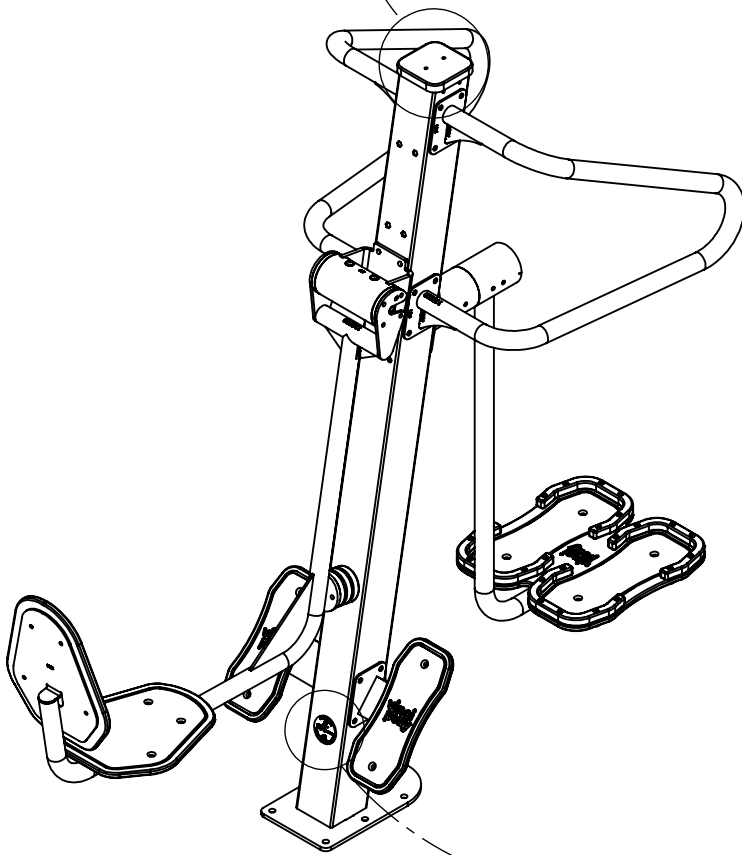
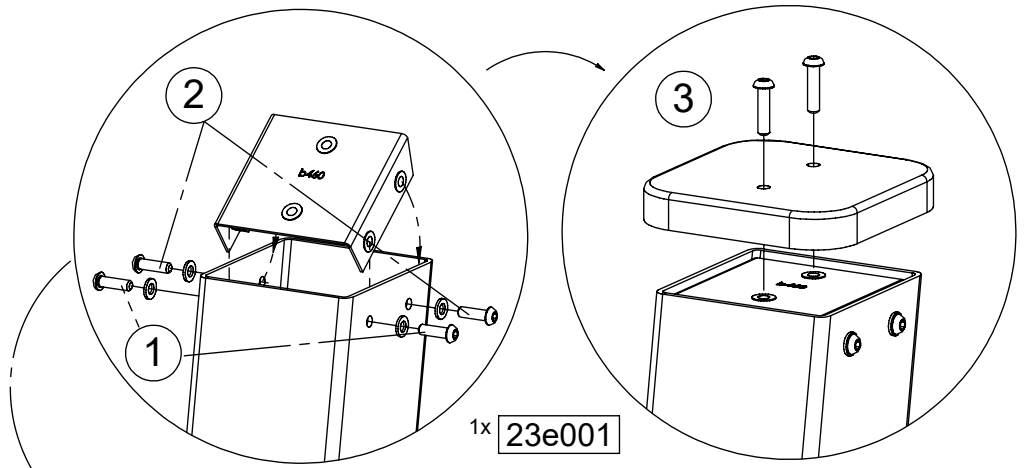


1x 11e009



[cm]

vinci  
play

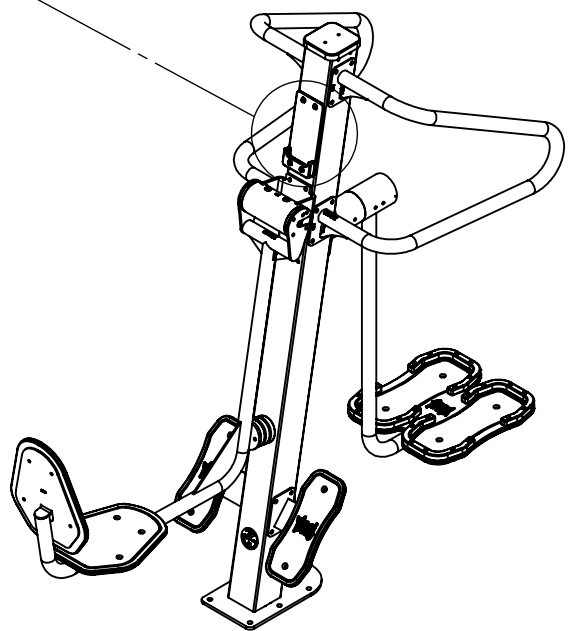
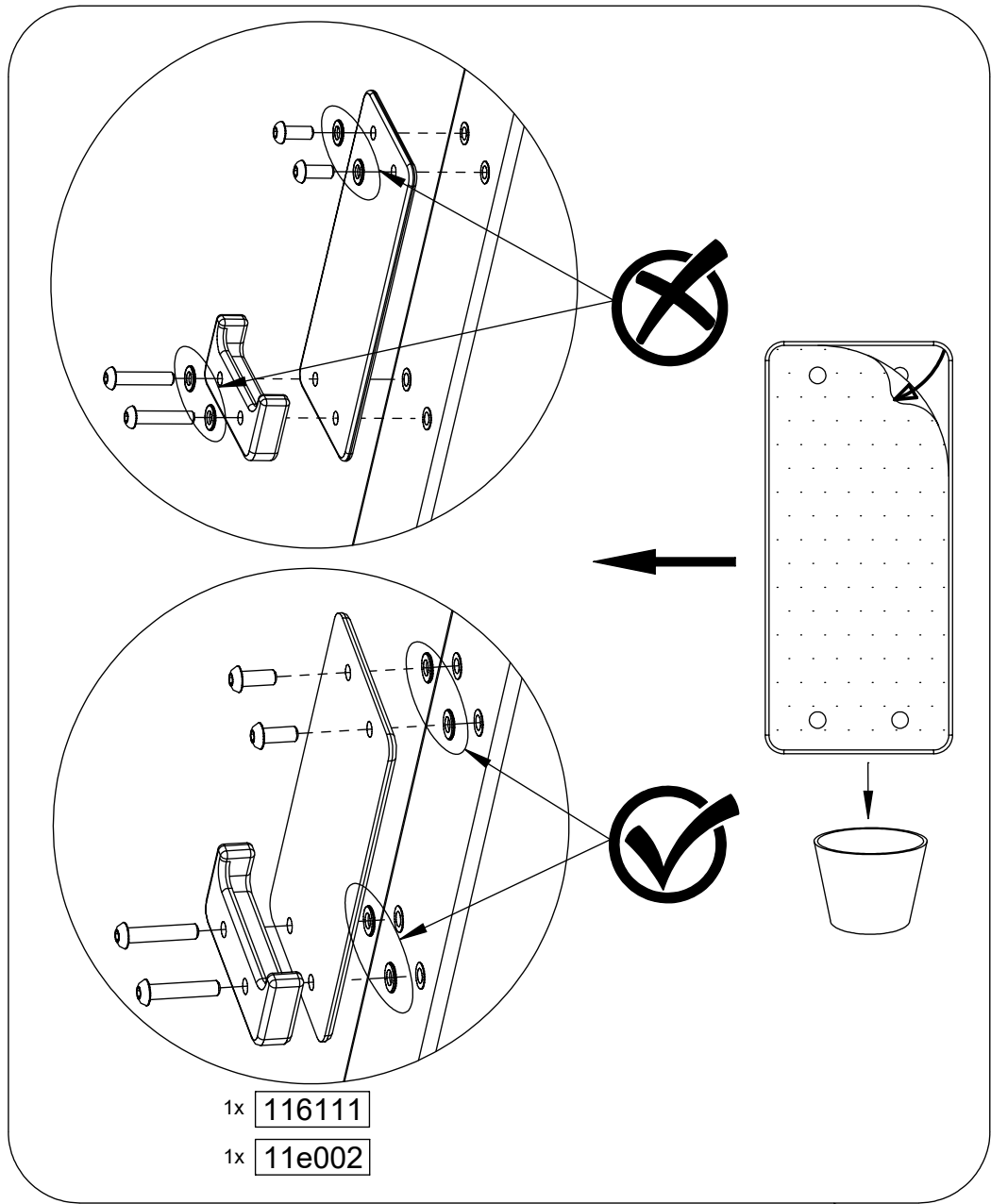


1x V003



[cm]

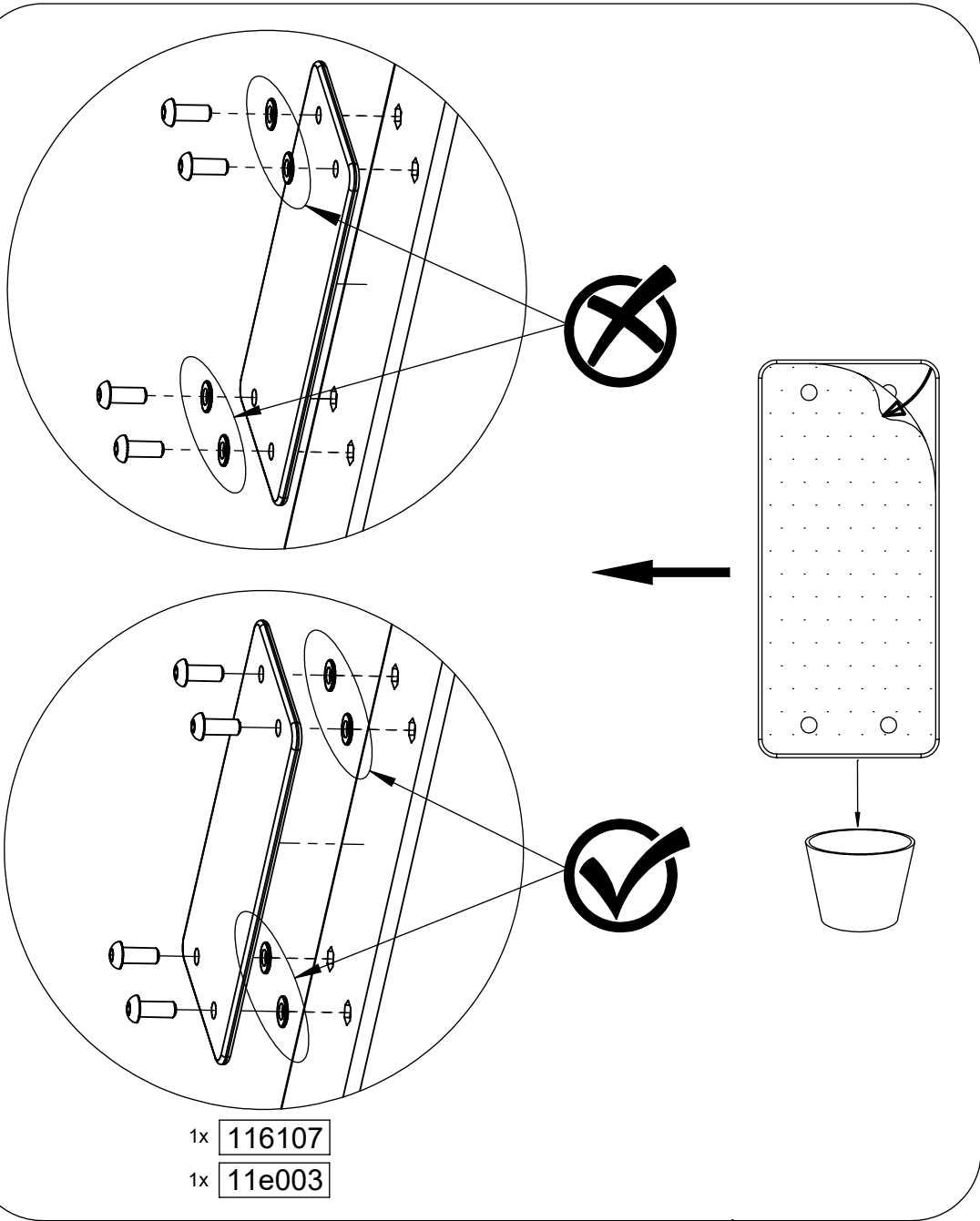
vinci  
play



[cm]

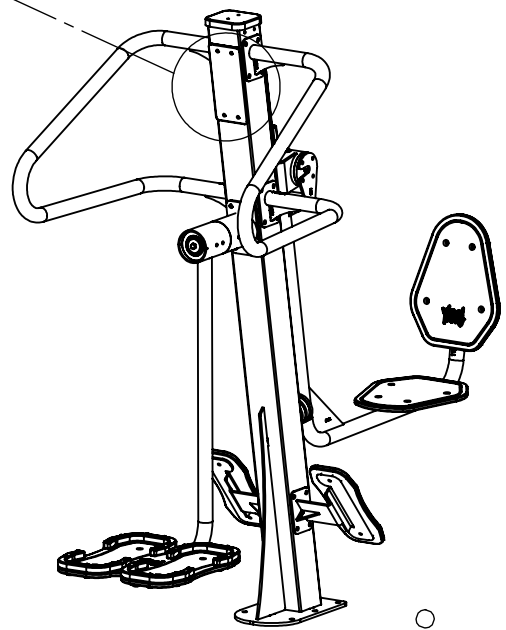


vinci  
play



**Part No:**  
000000-  
00000

000000-00000



vinci  
play