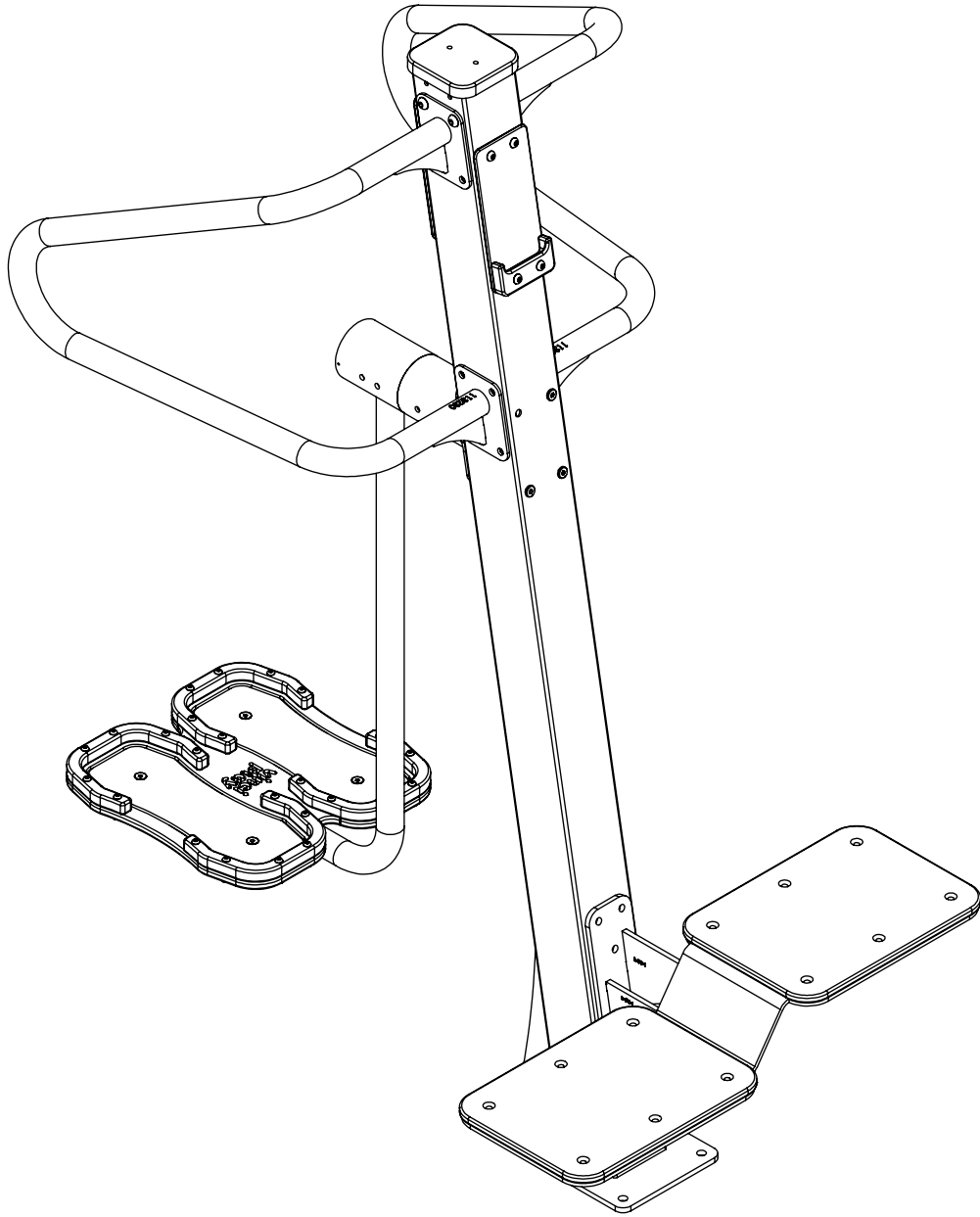
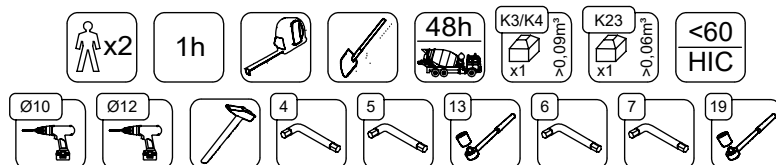


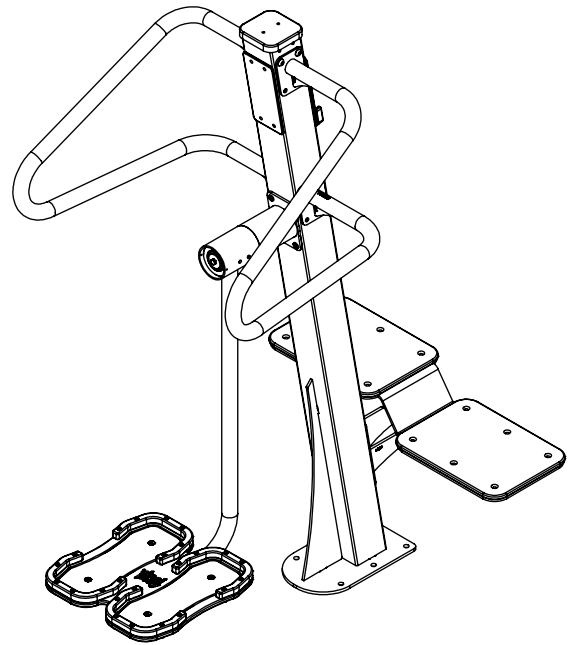
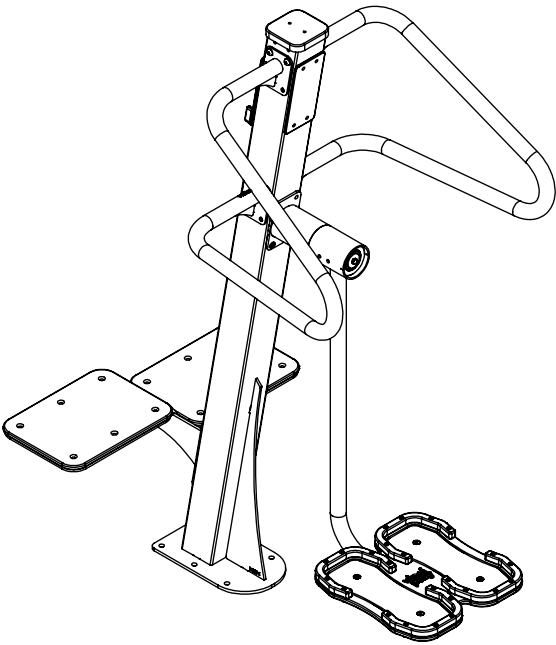
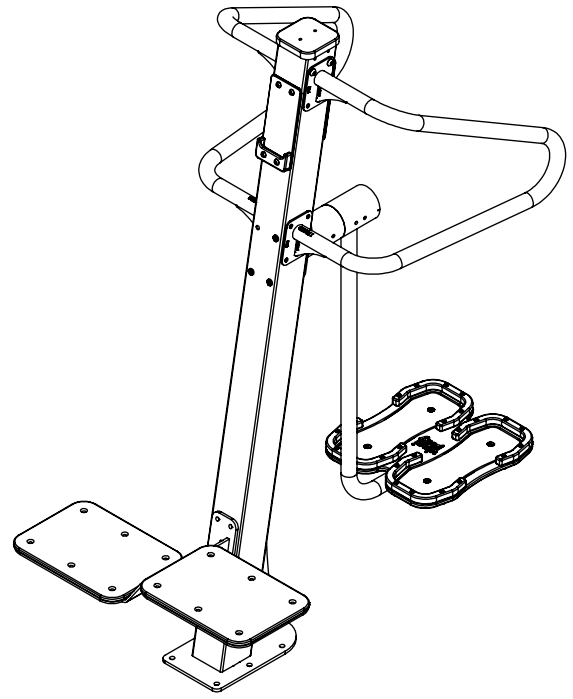
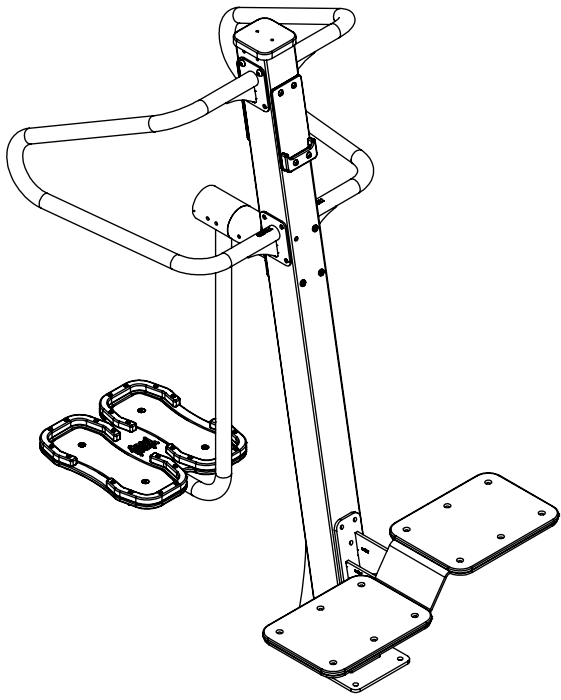
# 1142



v011  
16.05.2023  
K. M.  
[cm]

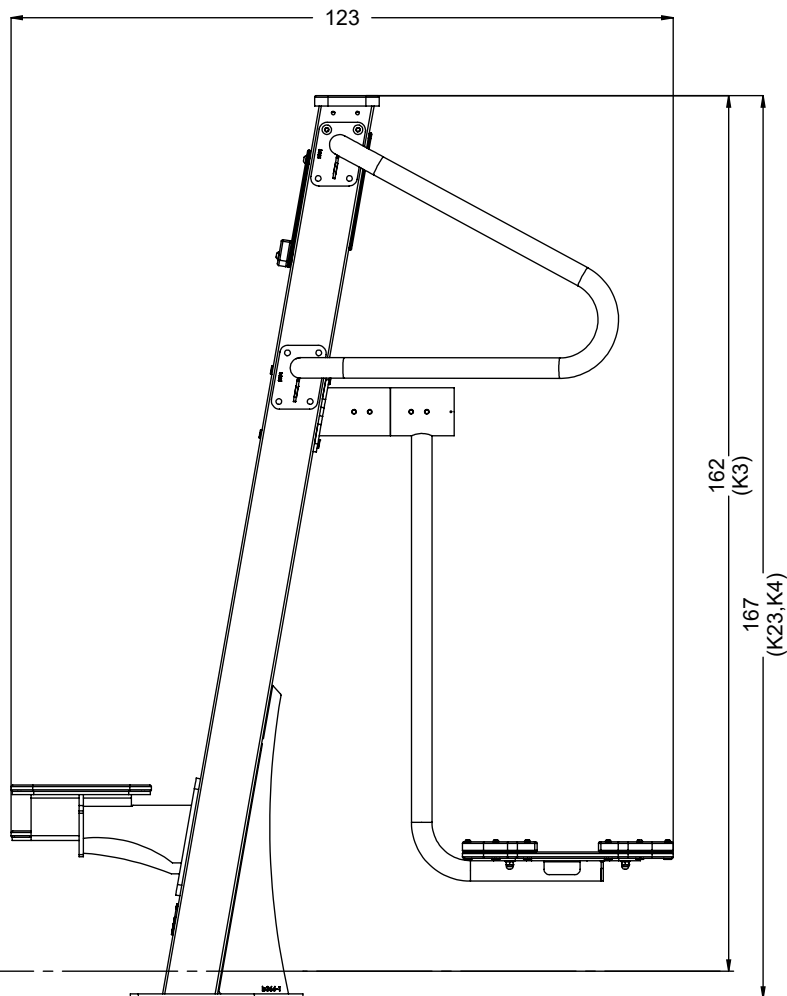
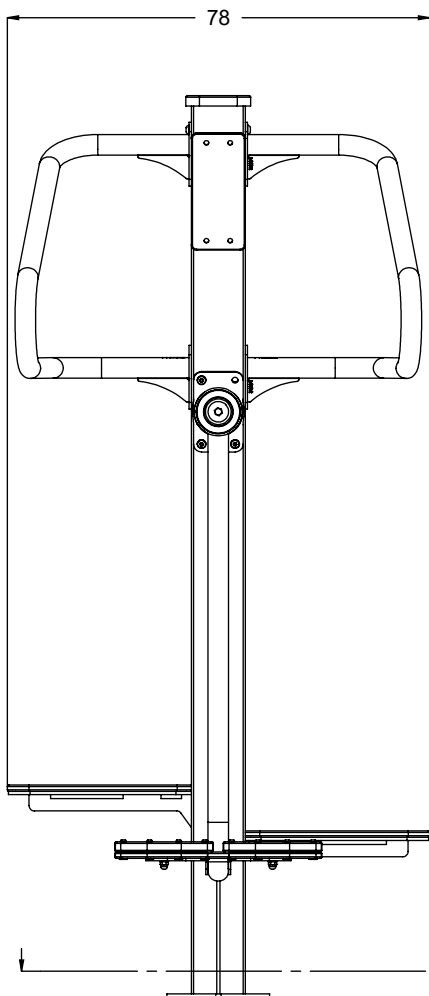


vinci  
play



[cm]

vinci  
play



5

K3

K4

K23

0.00

0.00

162

(K3)

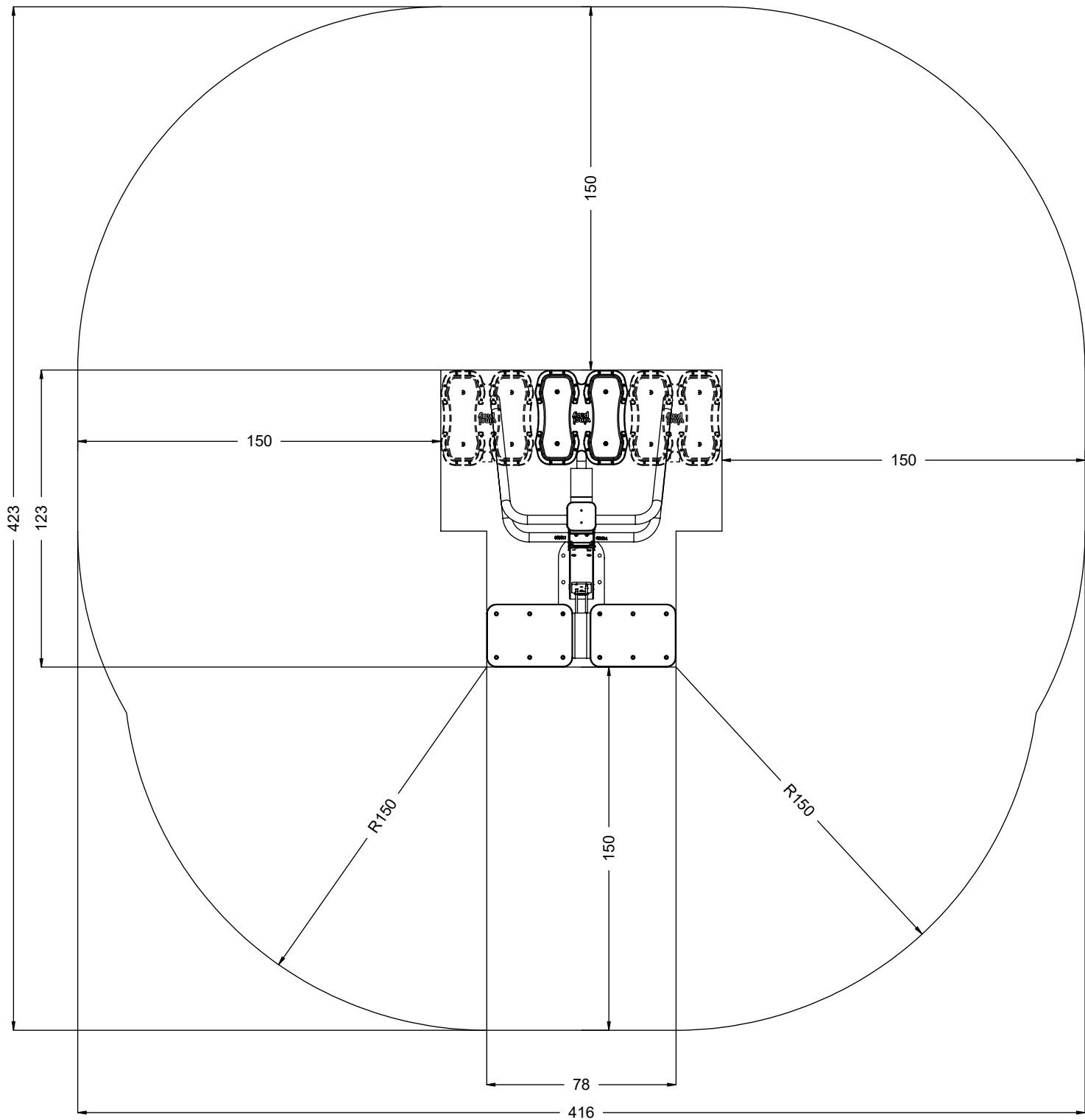
167

(K23, K4)

[cm]



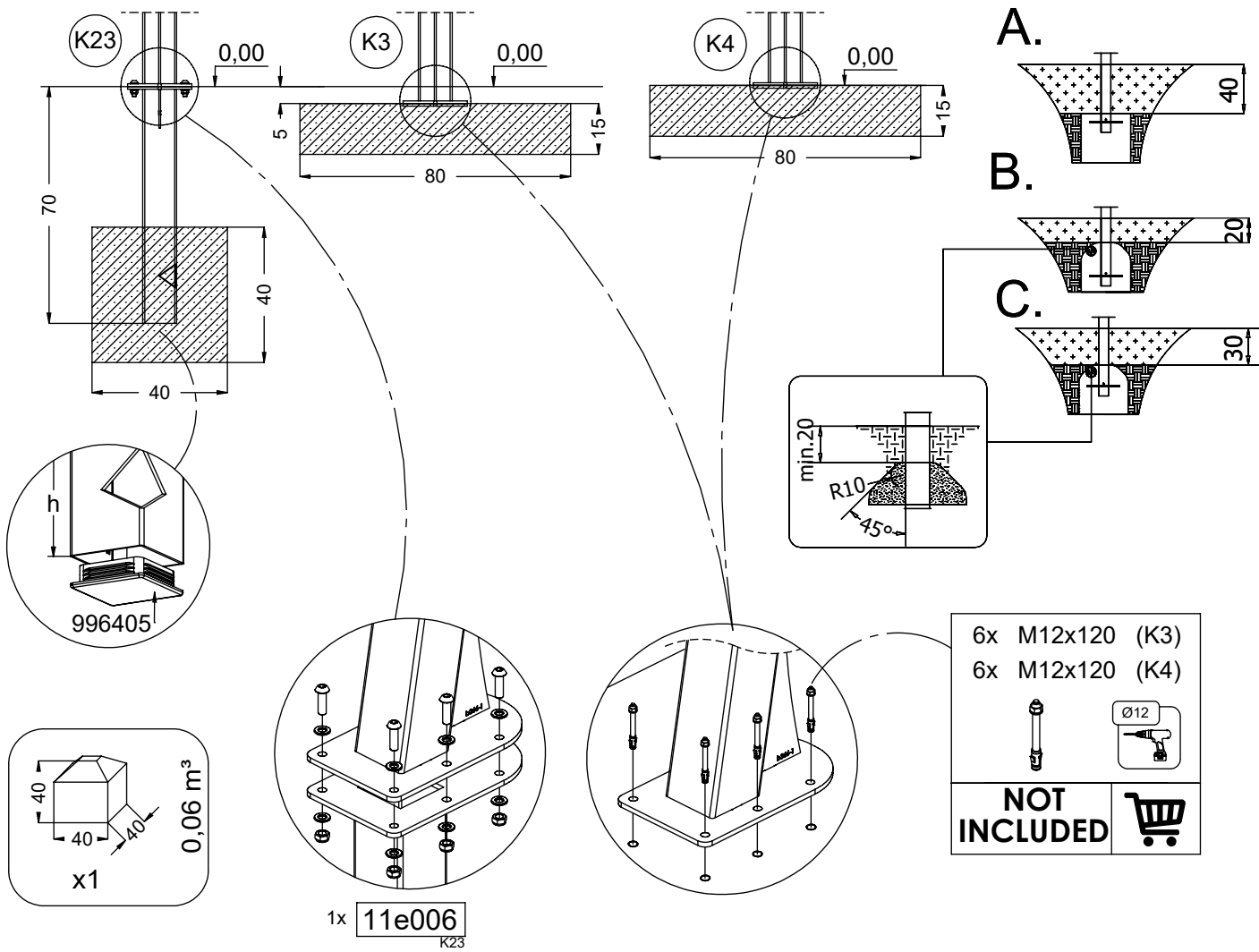
vinci  
play



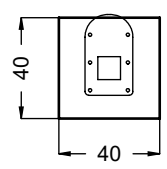
[cm]



vinci  
play

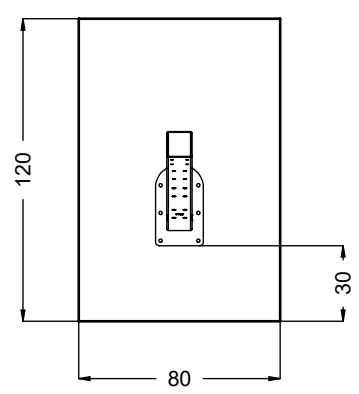


K23



K3

K4



[cm]



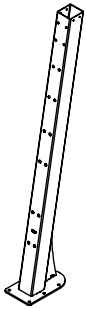
1h



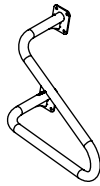
48h



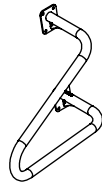
vinci  
play



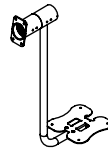
112215  
112216 (inox)  
x1



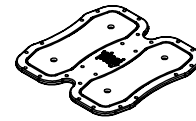
112299  
112301 (inox)  
x1



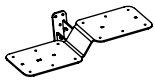
112300  
112302 (inox)  
x1



114111  
114112 (inox)  
x1



111114  
x1

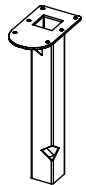


112147  
112270 (inox)  
x1



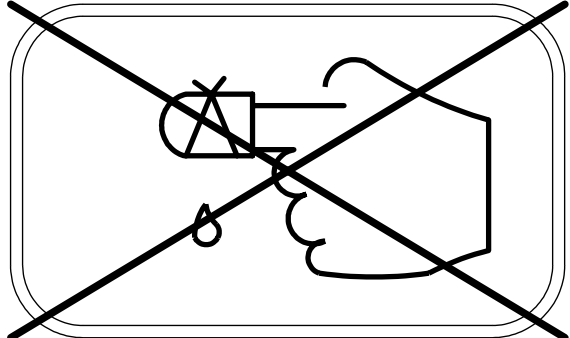
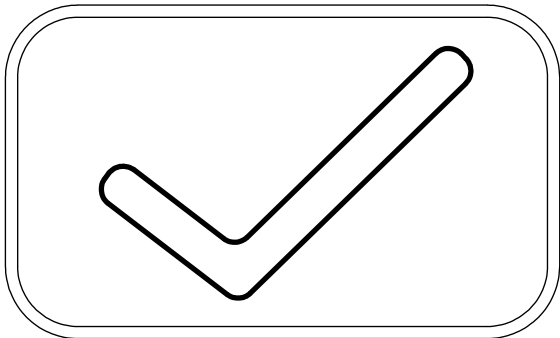
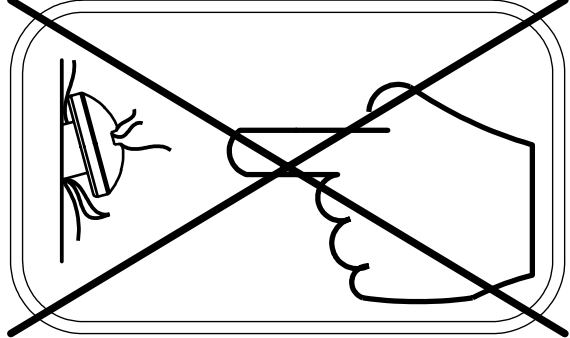
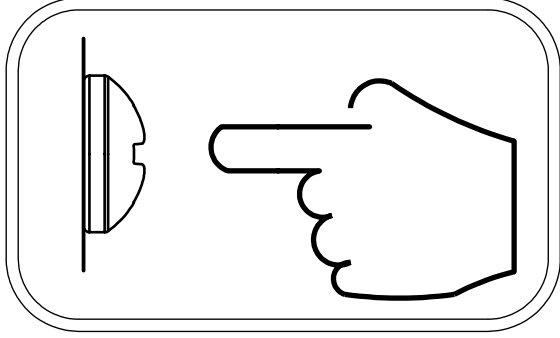
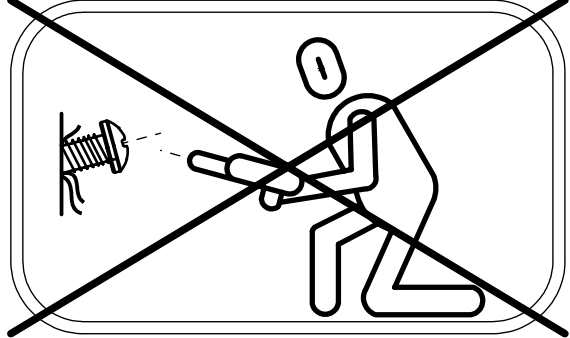
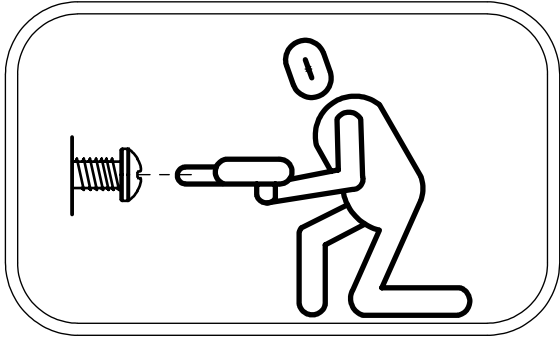
111124  
x2

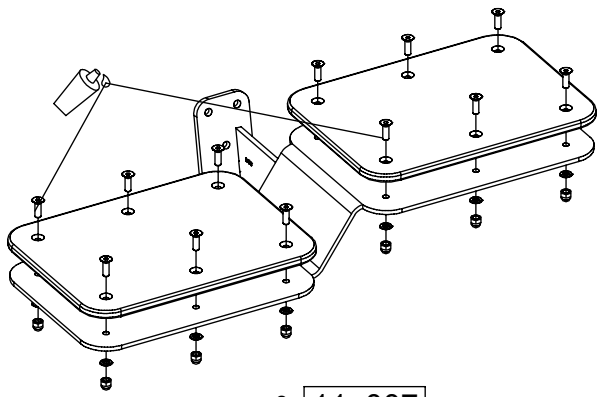
K23



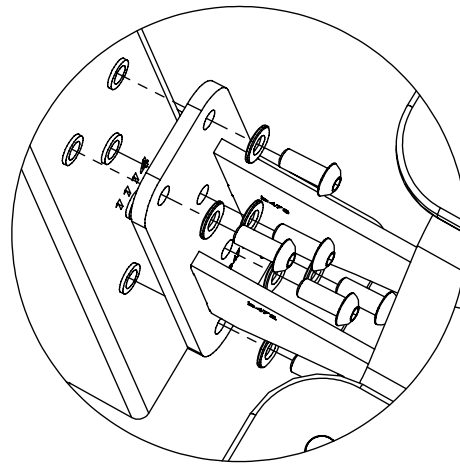
112111  
x1

ST/INOX	
1x	996405 (K23)
1x	11e006 (K23)
3x	11e005
2x	11e007
1x	11e016
2x	11e011
1x	11e009
1x	23e001
1x	11e003
1x	11e002
1x	116107
1x	116114
1x	V003

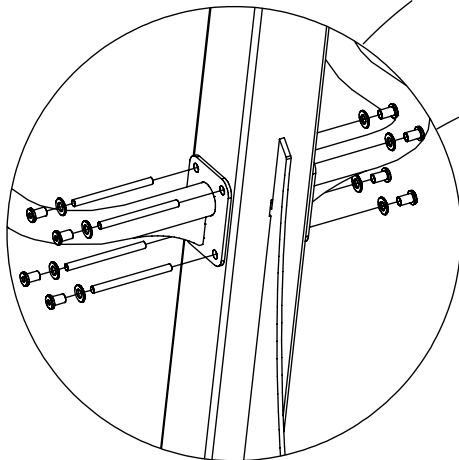
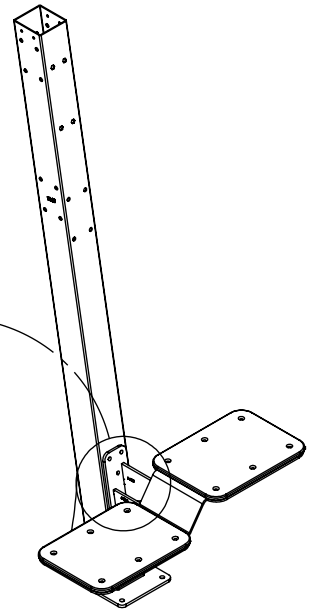




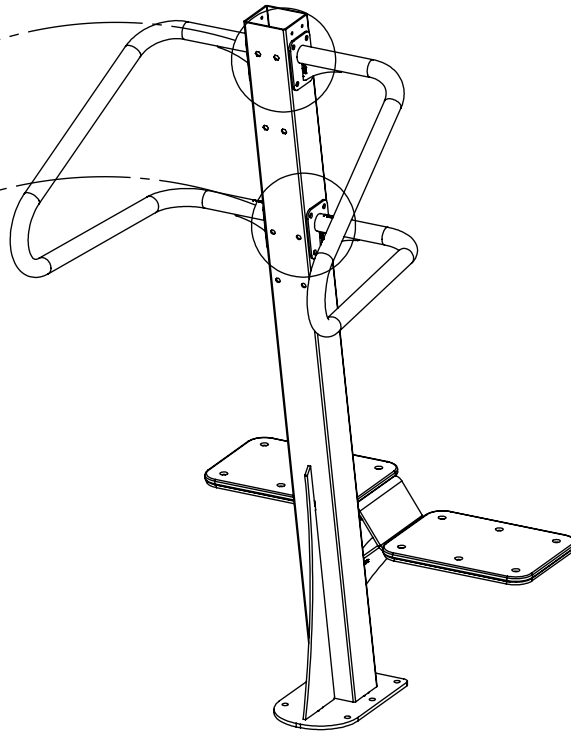
2x 11e007



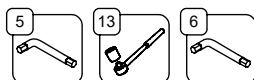
1x 11e016



2x 11e005

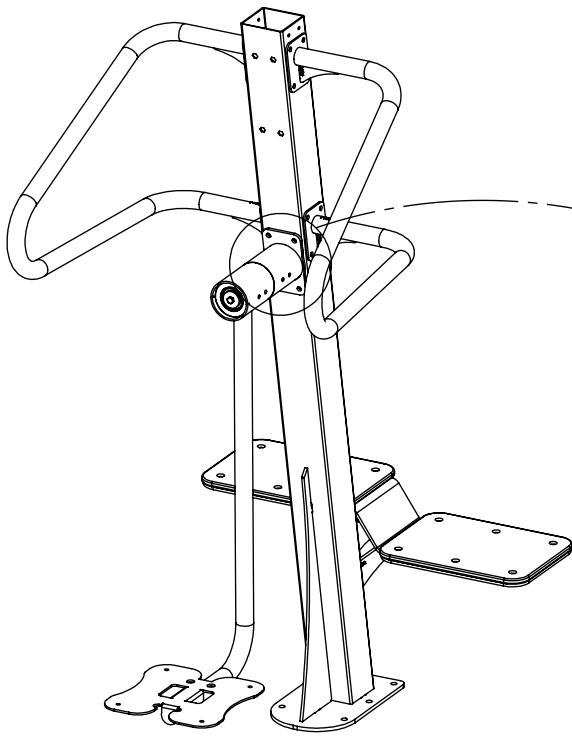


[cm]

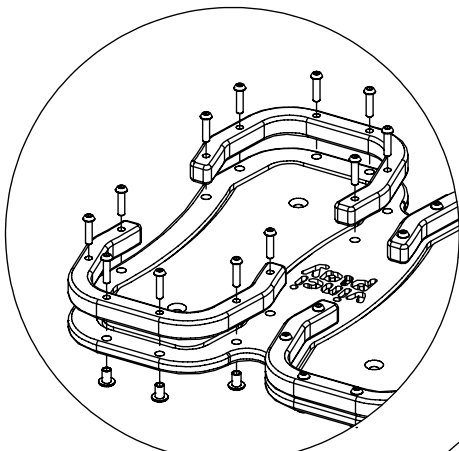
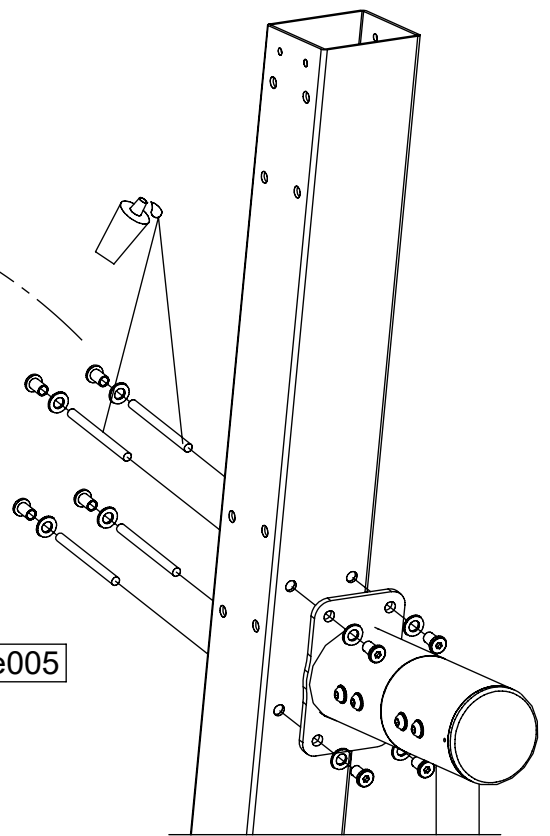


vinci  
play

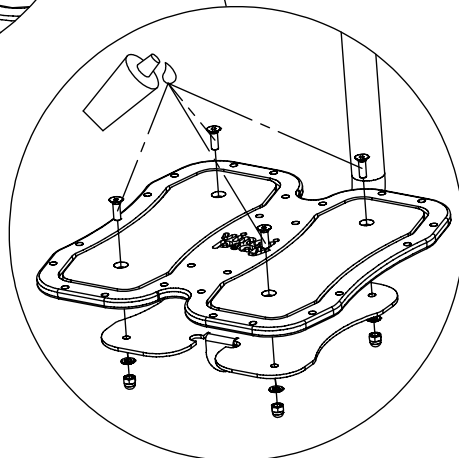




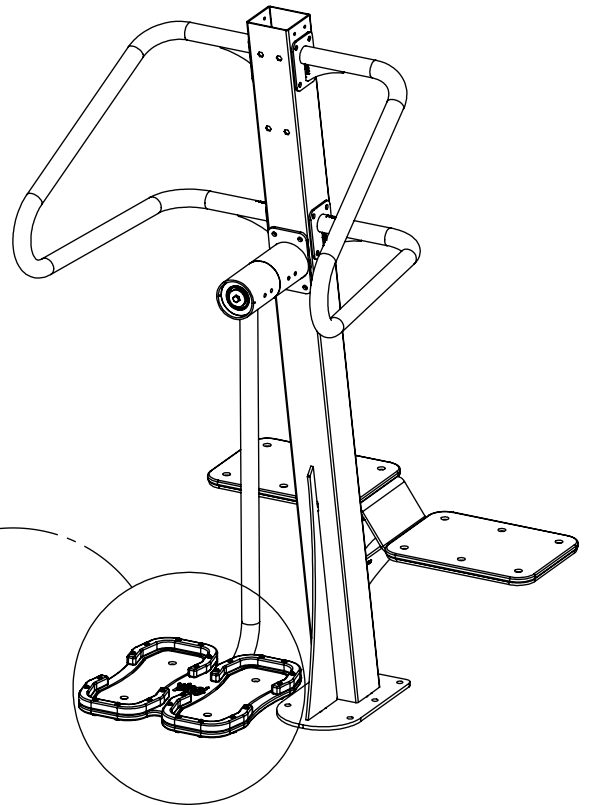
1x 11e005



2x 11e011



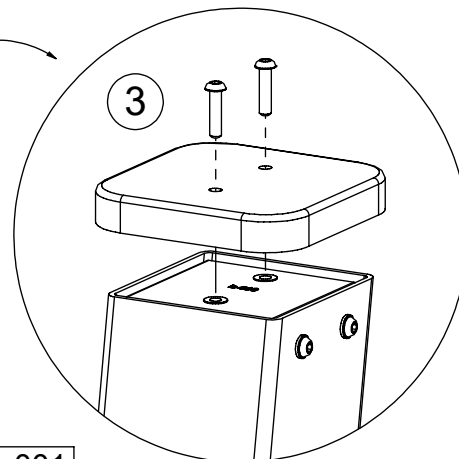
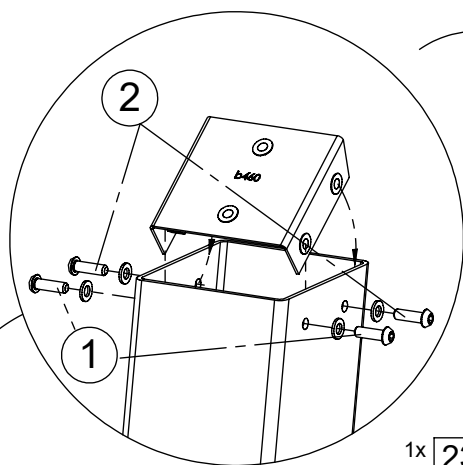
1x 11e009



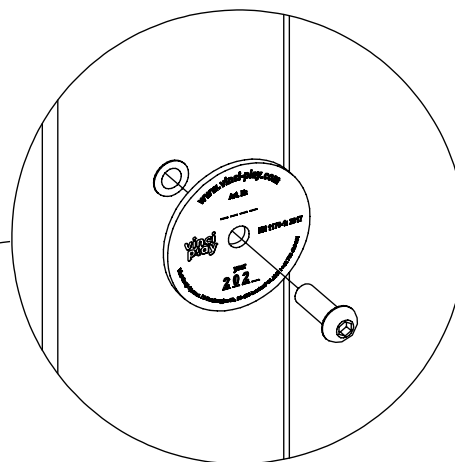
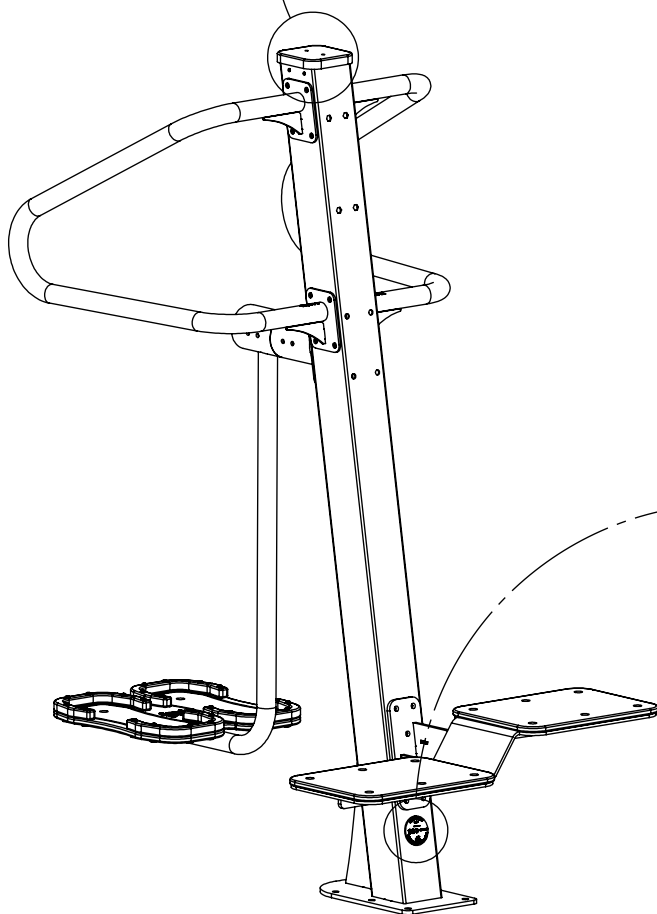
[cm]



vinci  
play

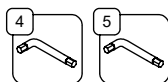


1x 23e001

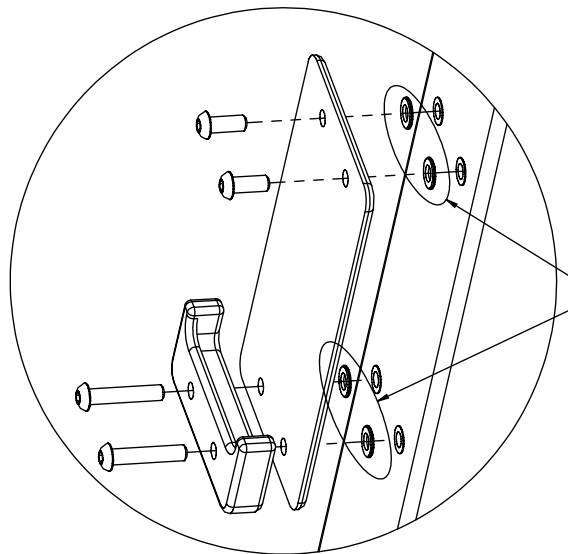
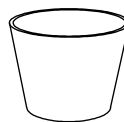
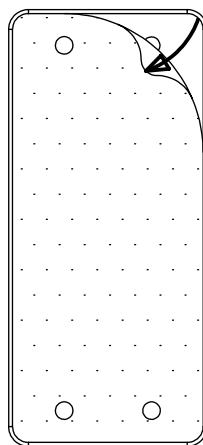
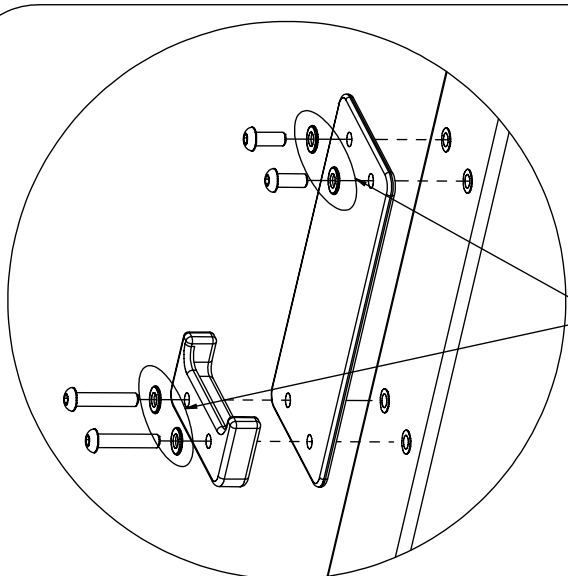


1x V003

[cm]

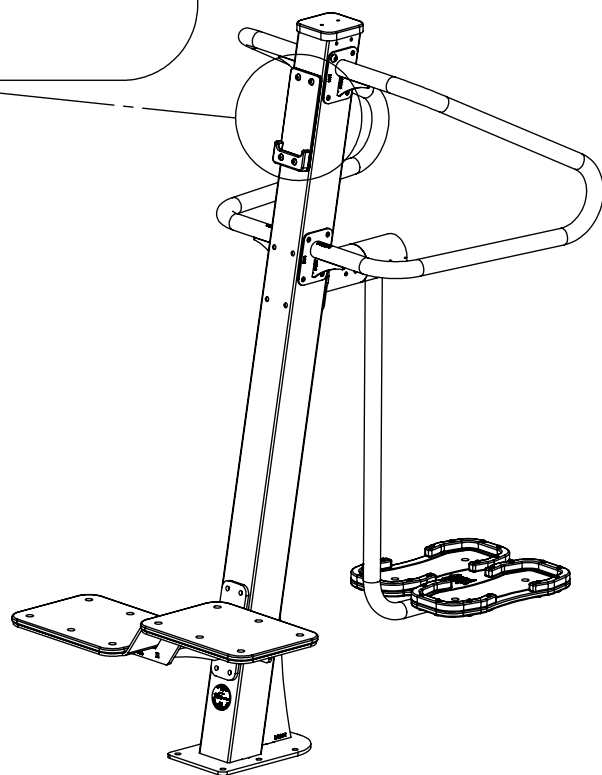


vinci  
play



1x 116114

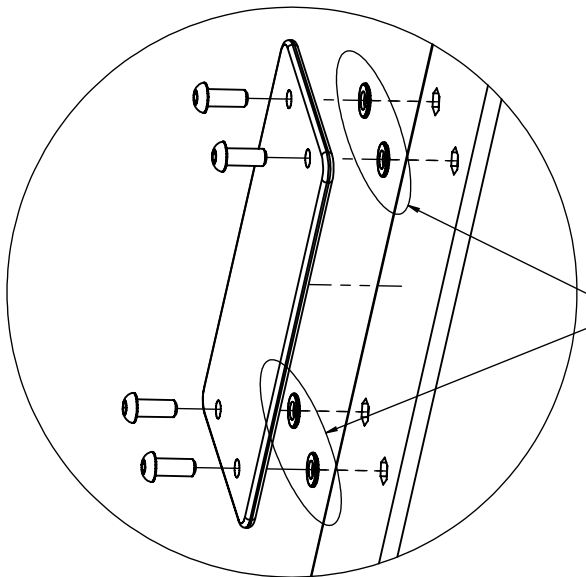
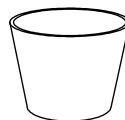
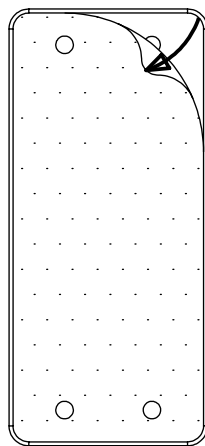
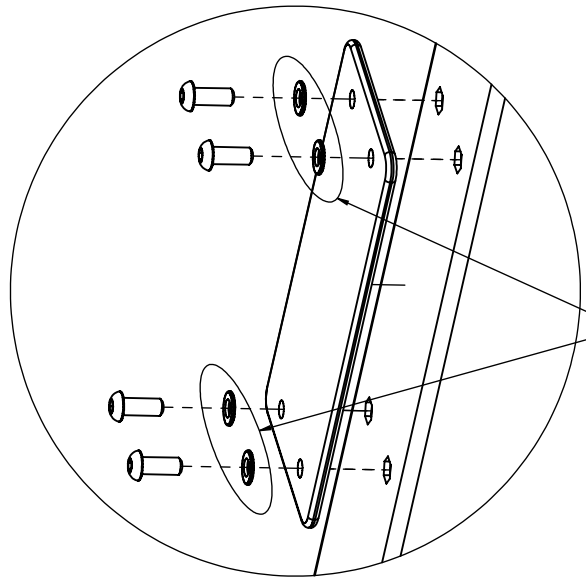
1x 11e002



[cm]



vinci  
play



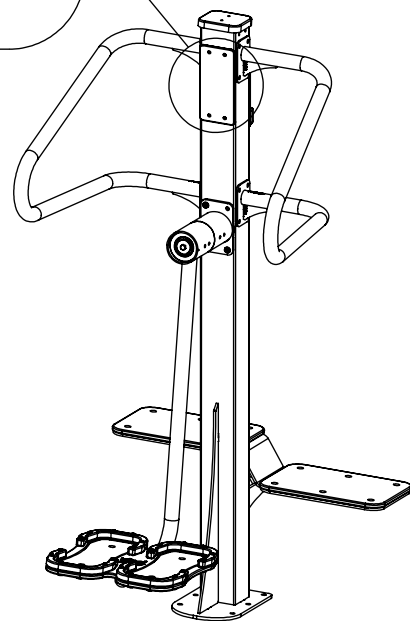
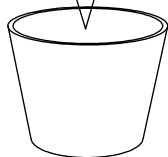
1x 116107

1x 11e003

Part No:  
000000-  
00000



000000-00000



[cm]



vinci  
play