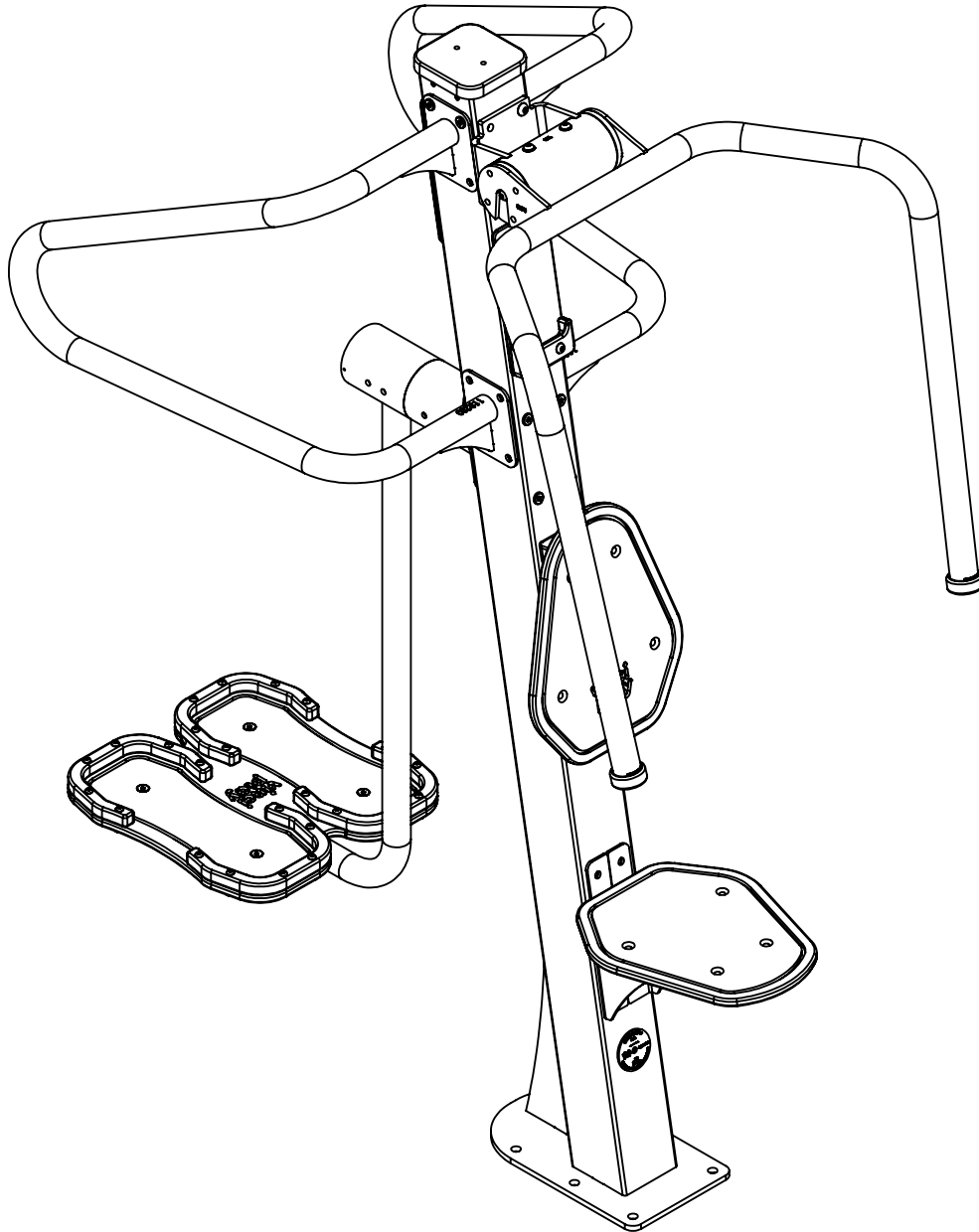
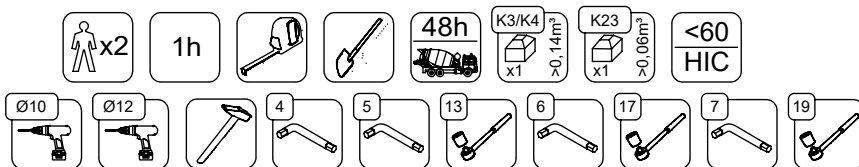


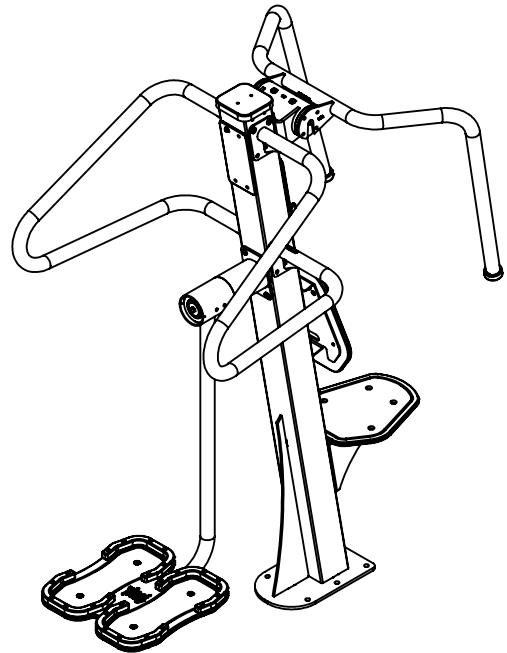
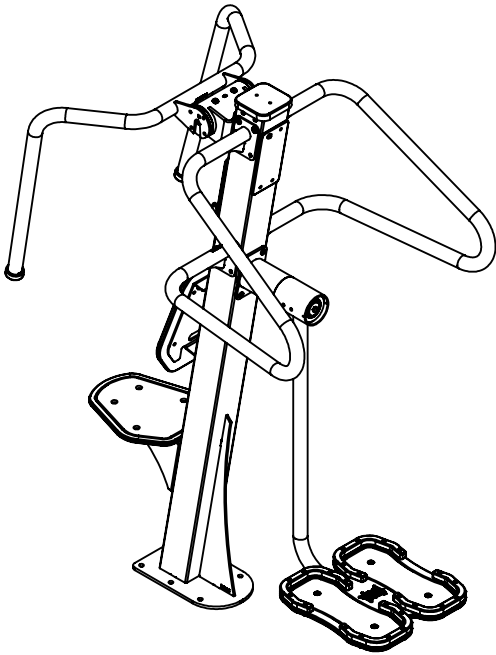
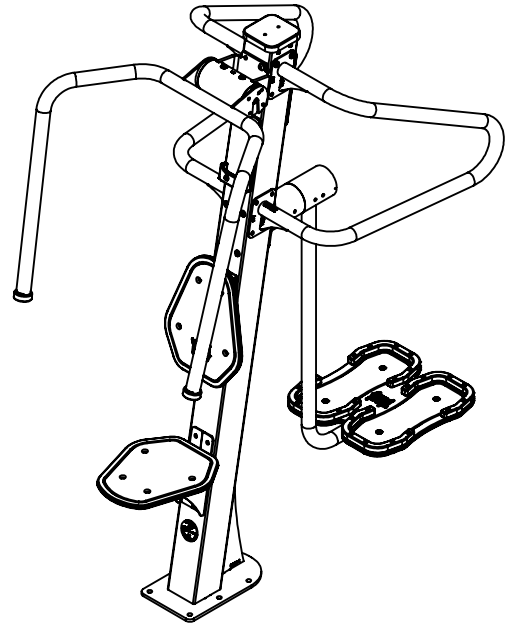
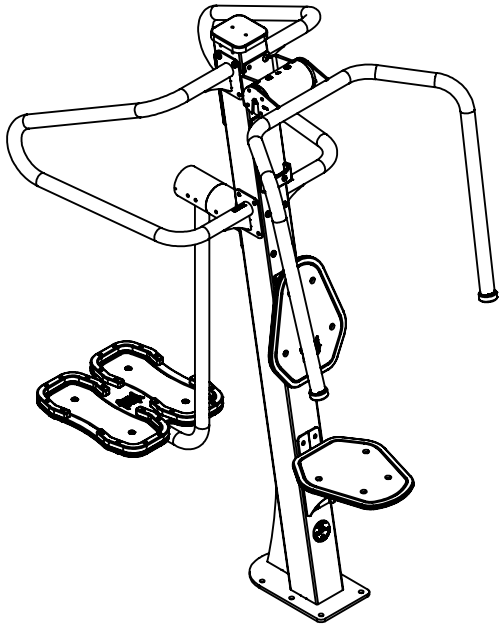
# 1138



v011  
16.05.2023  
K. M.  
[cm]

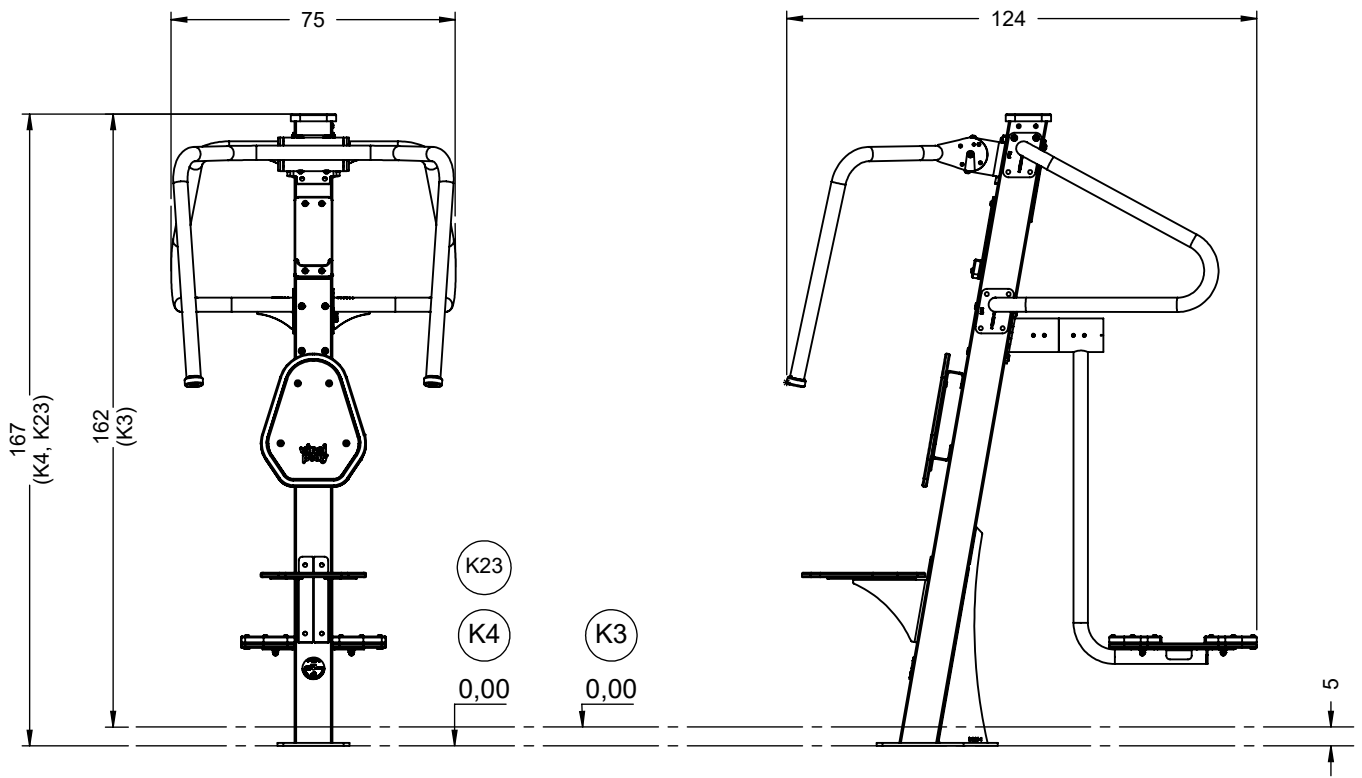


vinci  
play



[cm]

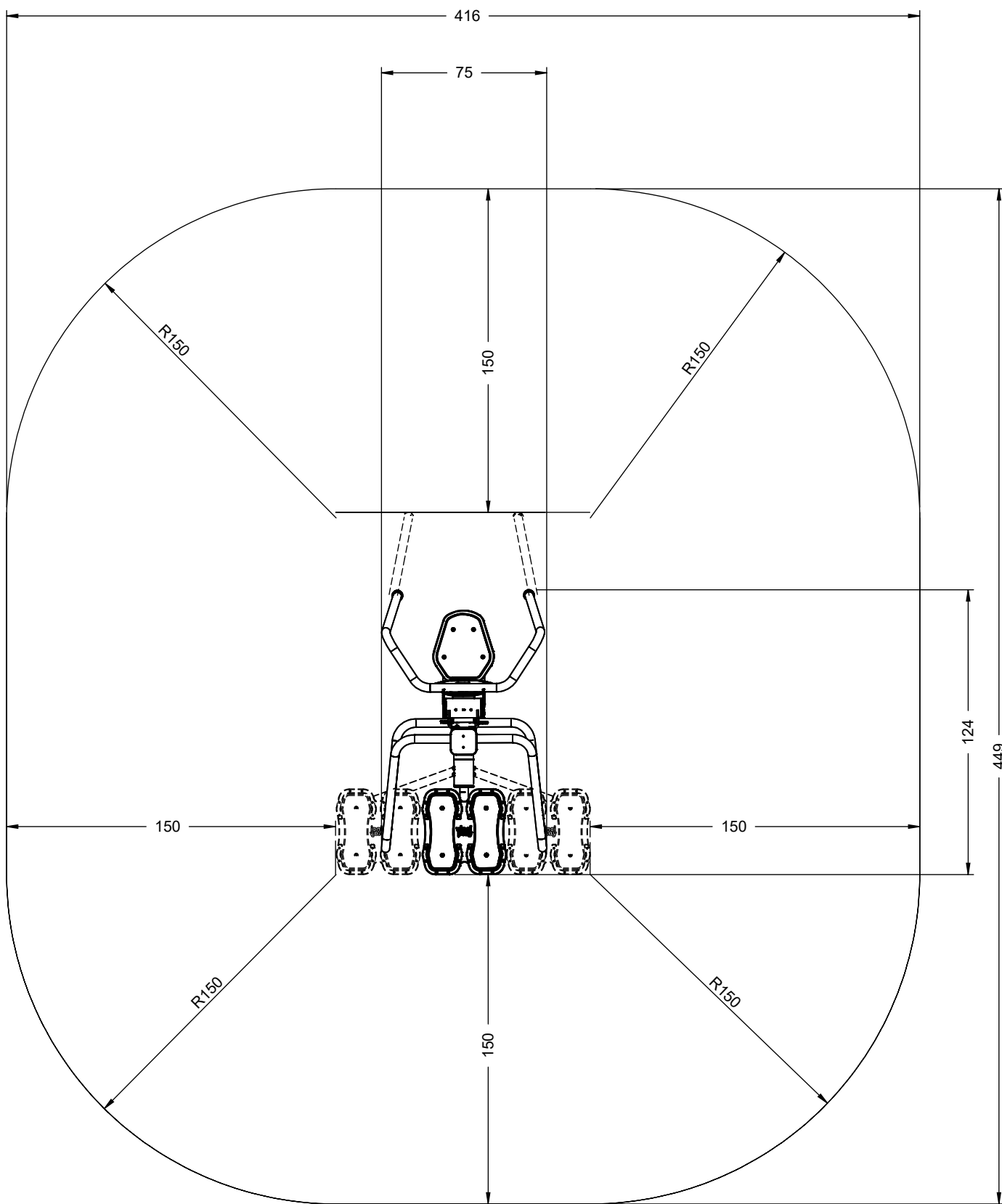
vinci  
play



[cm]



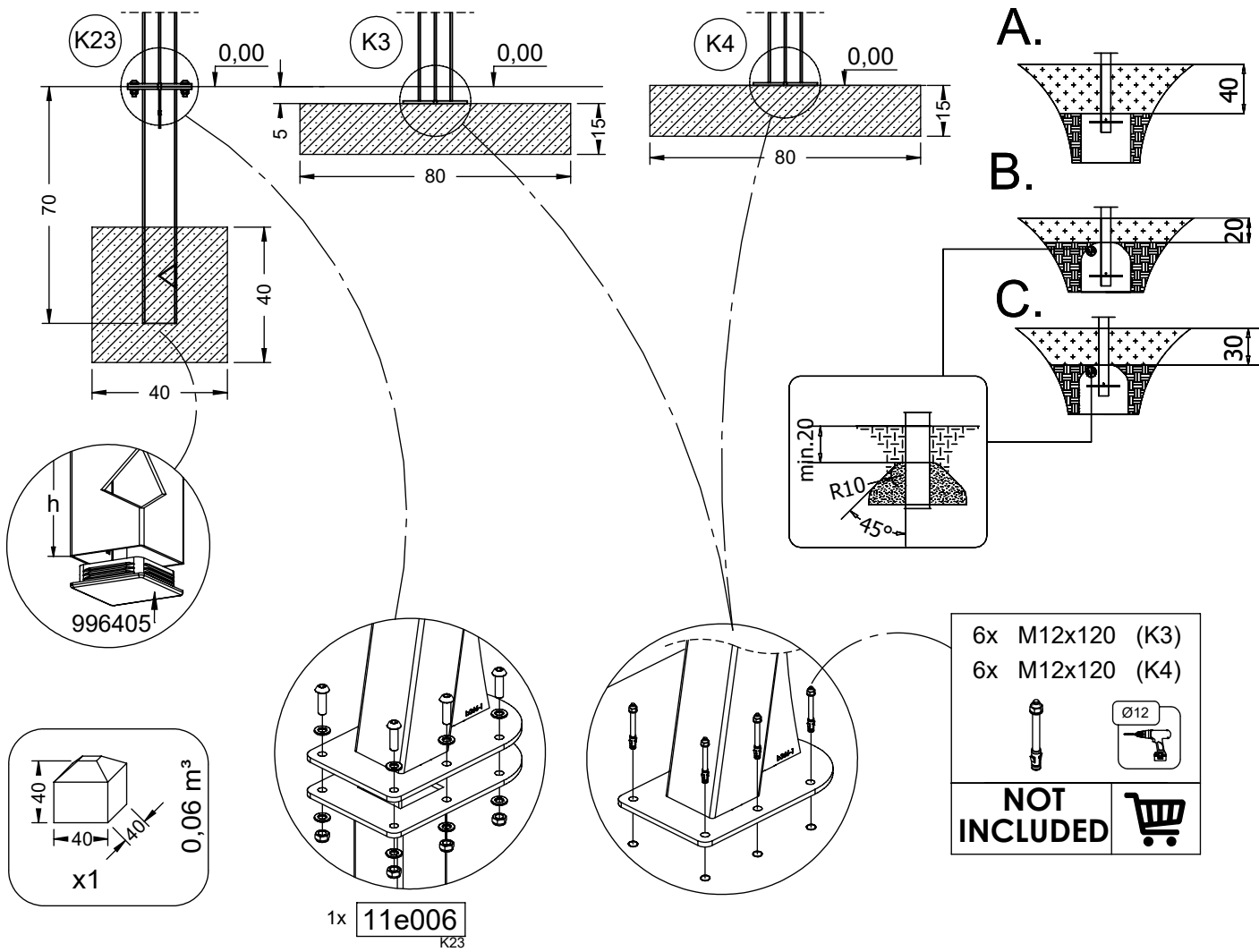
vinci  
play



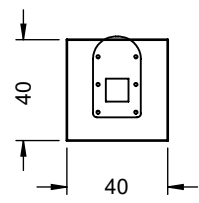
[cm]



vinci  
play

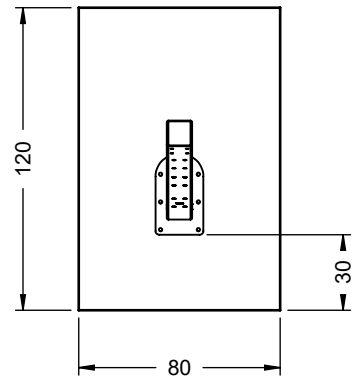


K23



K3

K4



[cm]



1h



48h



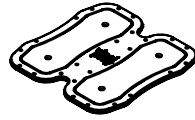
vinci play



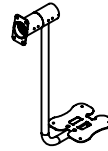
114142  
114143 (inox)  
x1



112297  
112298 (inox)  
x1



996395  
x21



114111  
114112 (inox)  
x1



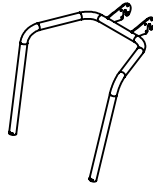
111108  
x1



111102  
x1



b556  
i371 (inox)  
x1



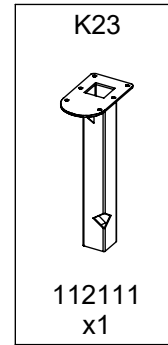
112149  
112237 (inox)  
x1



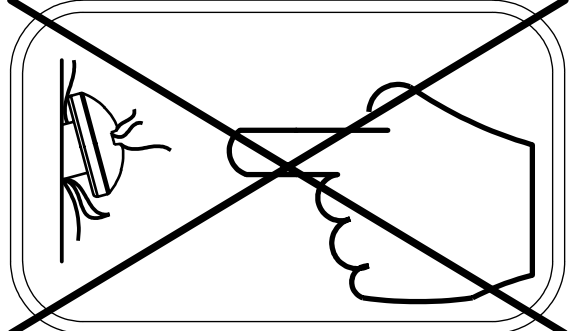
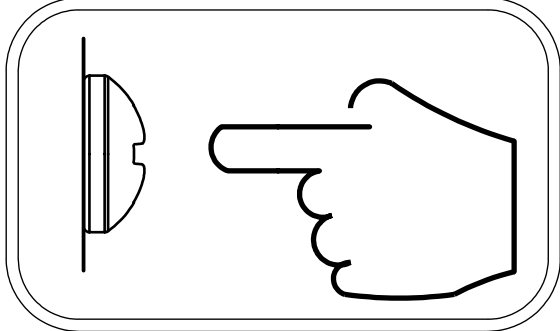
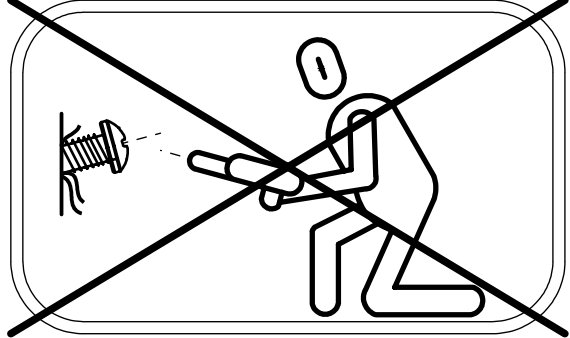
b564  
i403 (inox)  
x1

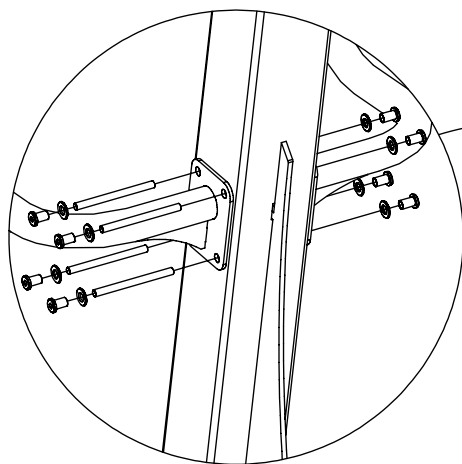


b579  
i404 (inox)  
x1

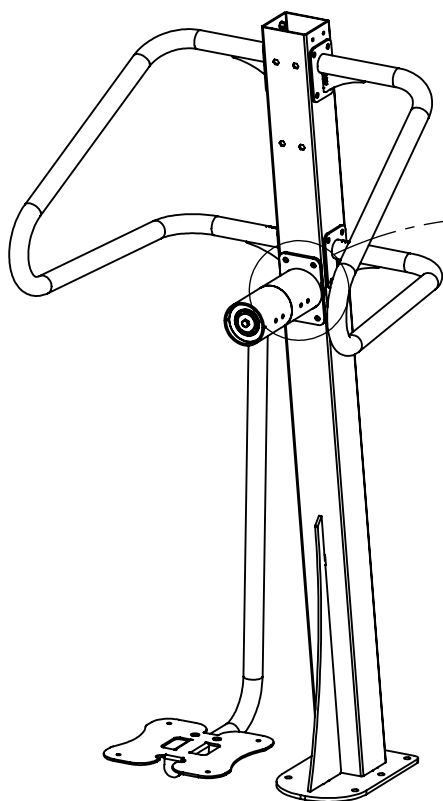
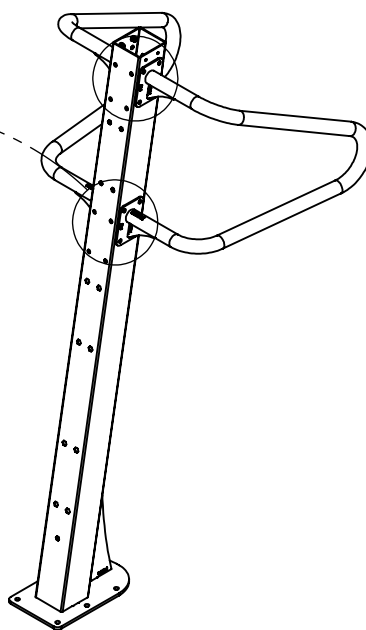


ST/INOX	
1x	996405 (K23)
1x	11e006 (K23)
1x	11e004
2x	11e008
1x	11e023
2x	11e009
3x	11e005
1x	11e010
1x	116104
1x	116107
1x	11e012
1x	23e001
1x	11e003
1x	11e002
2x	11e011
1x	V003

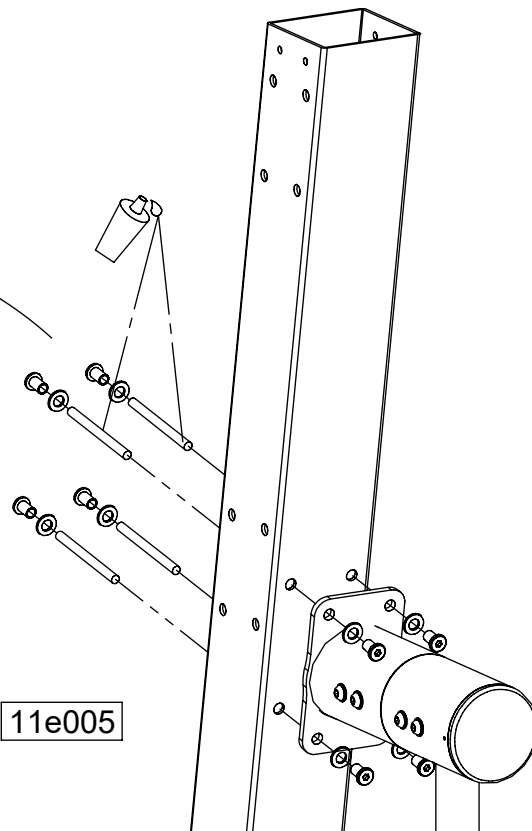




2x 11e005



1x 11e005

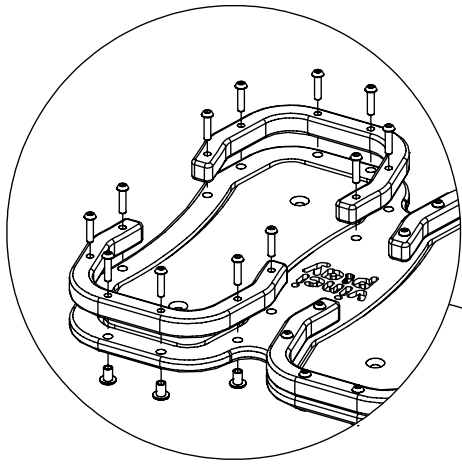


[cm]

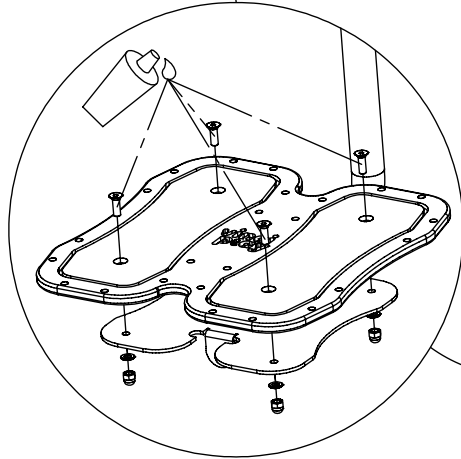


vinci  
play

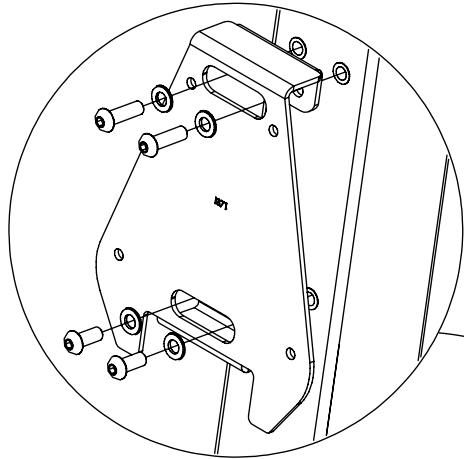
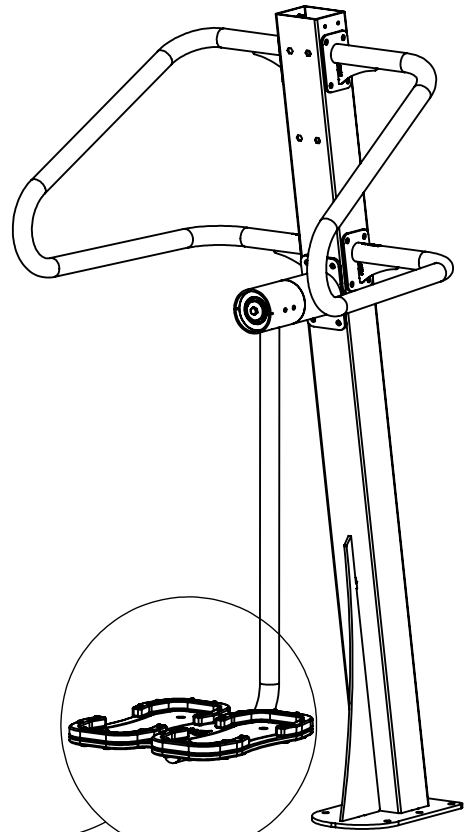




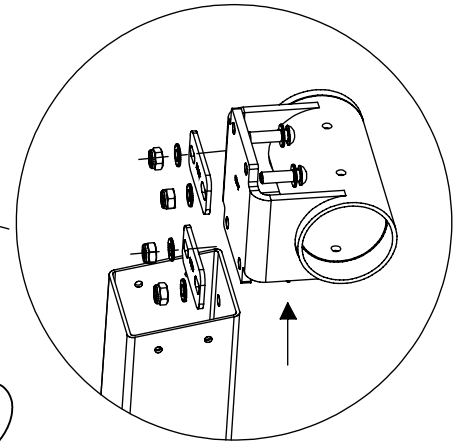
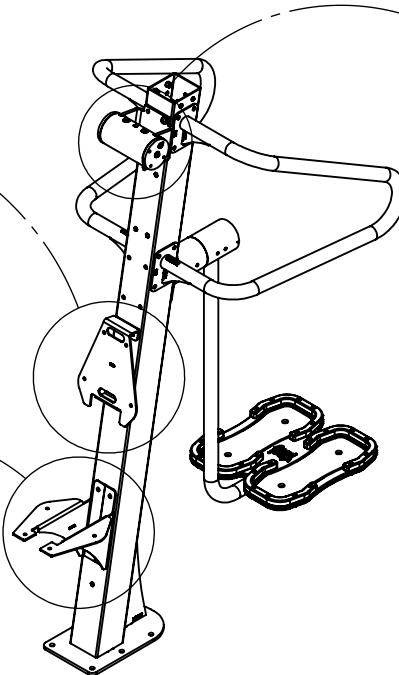
2x 11e011



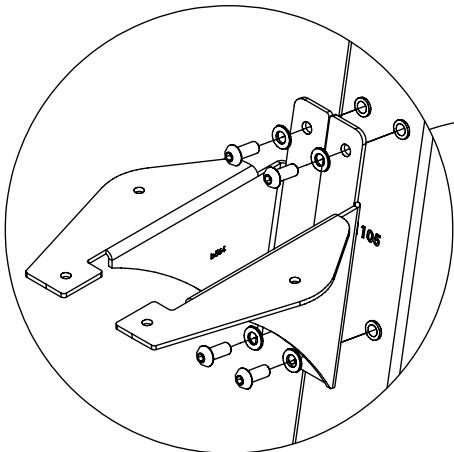
1x 11e009



2x 11e008

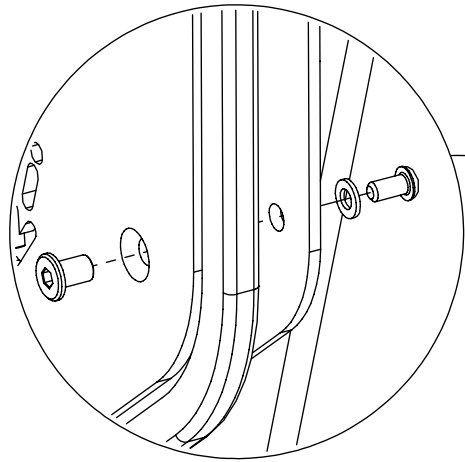


1x 11e004

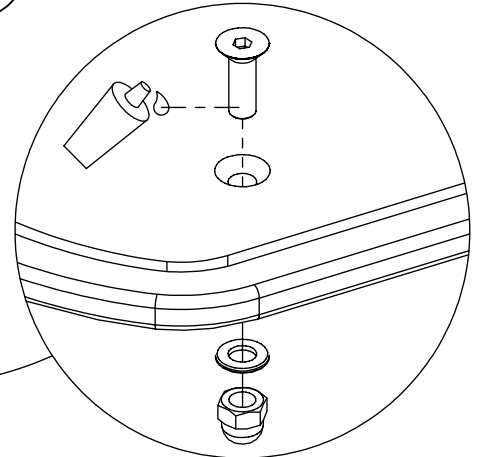
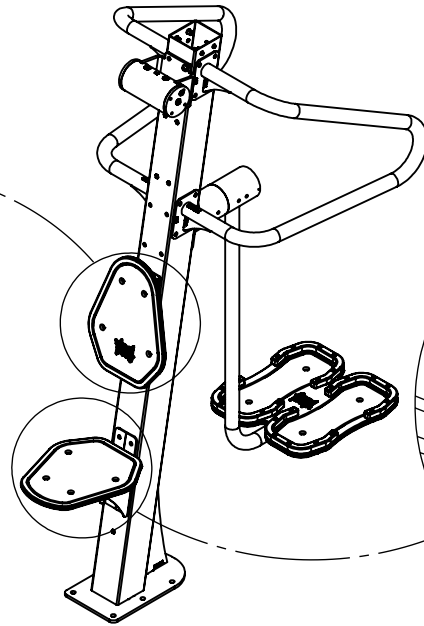


[cm]

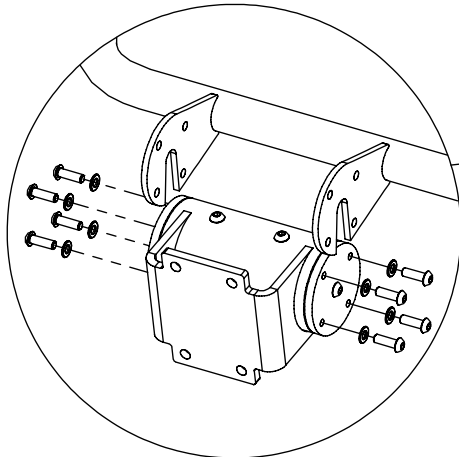
vinci play



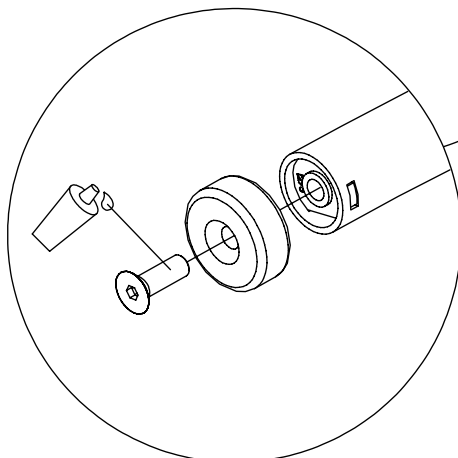
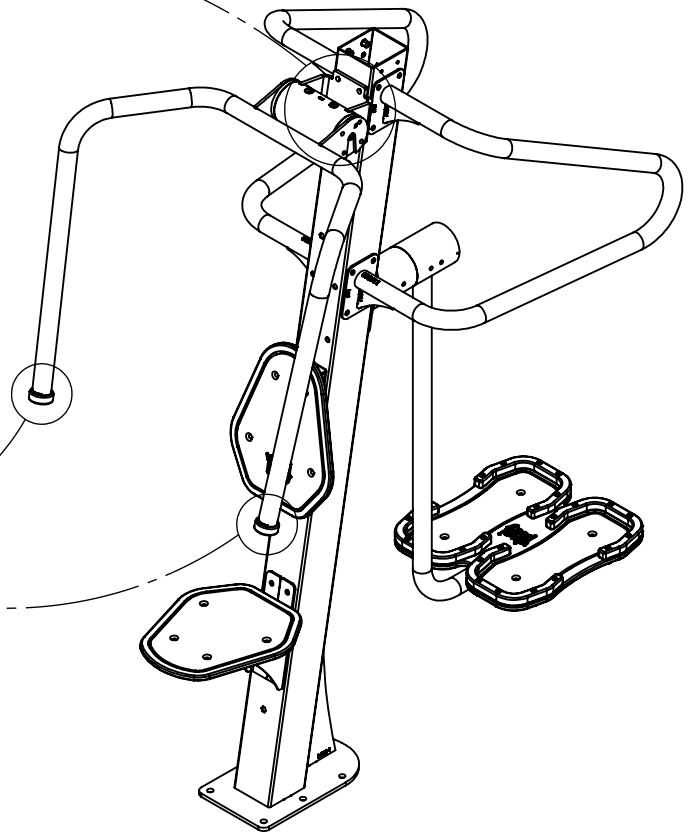
1x 11e023



1x 11e009



1x 11e010

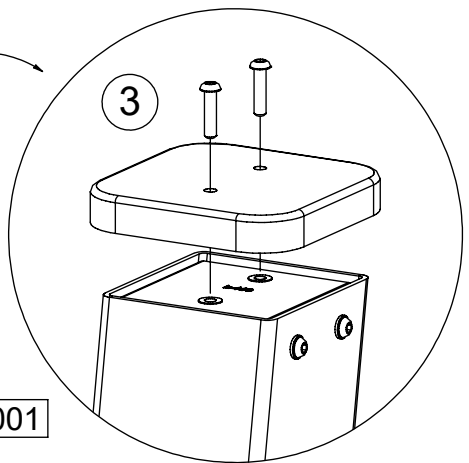
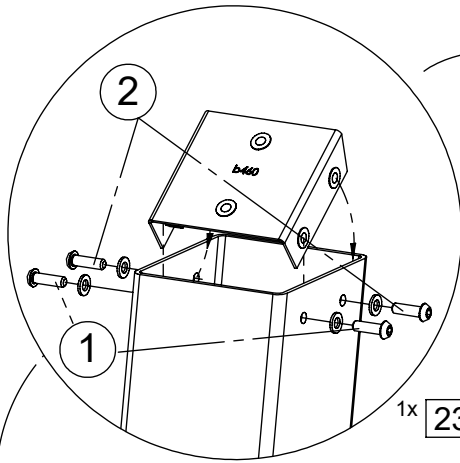


1x 11e012

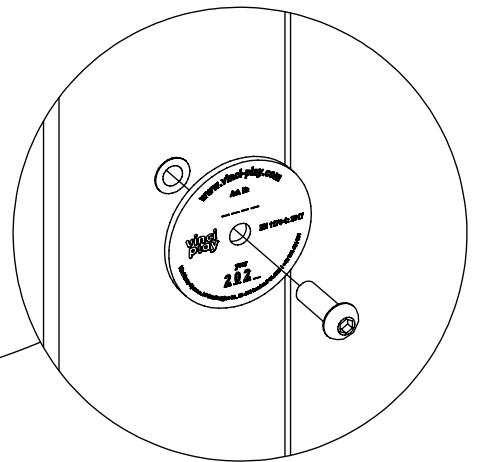
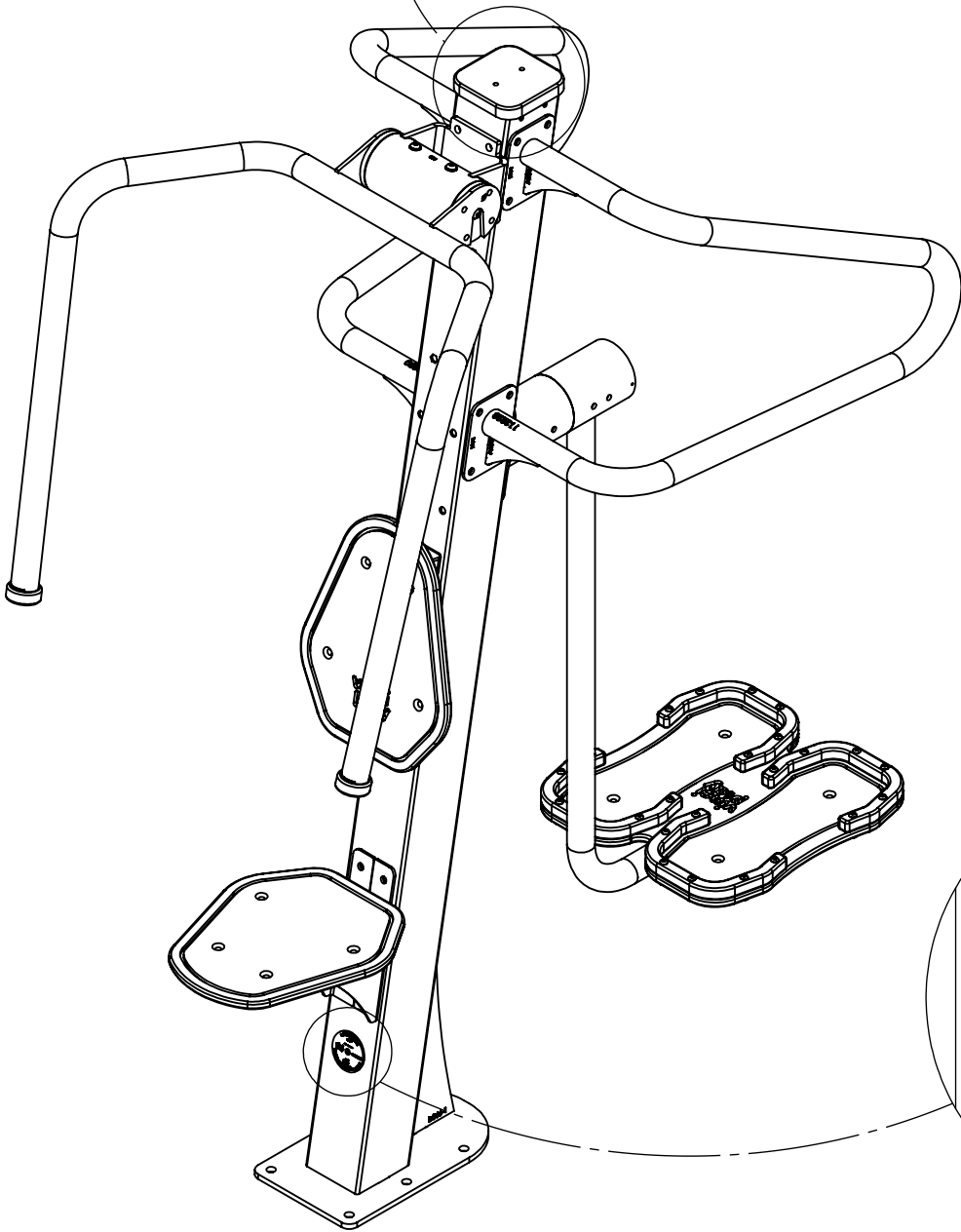


[cm]

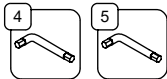
vinci  
play



1x 23e001

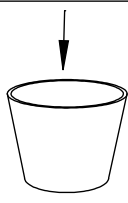
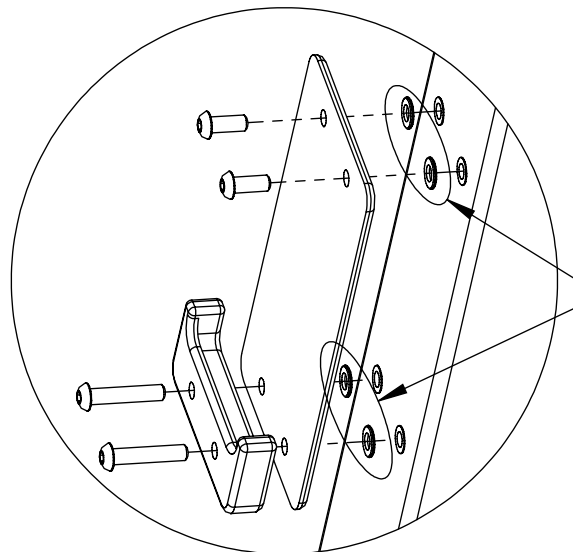
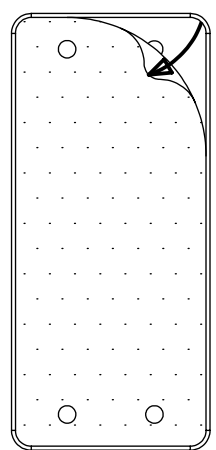
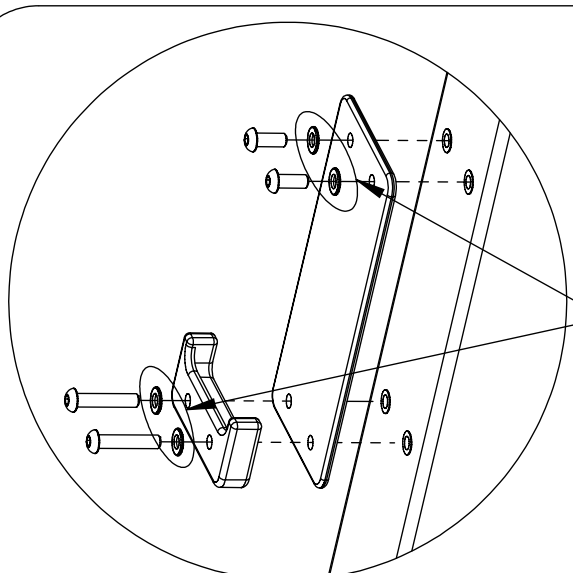


1x V003



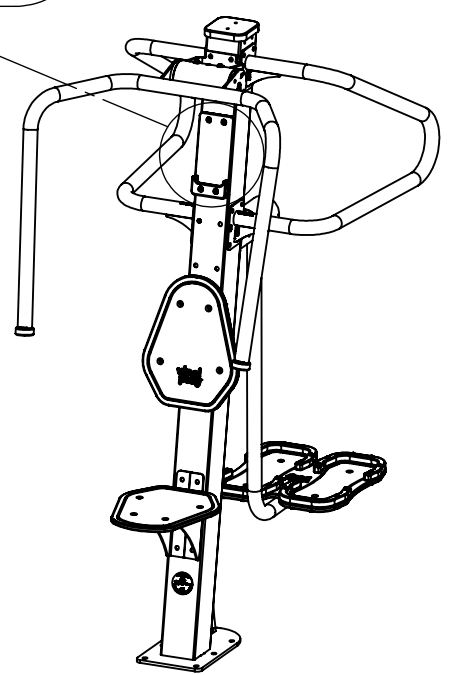
[cm]

vinci  
play

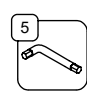


1x 116104

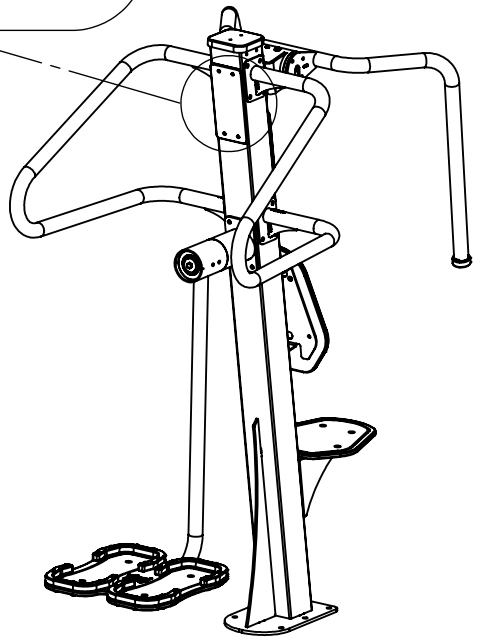
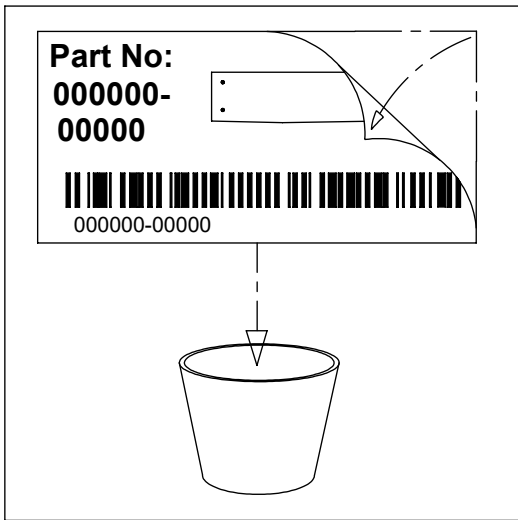
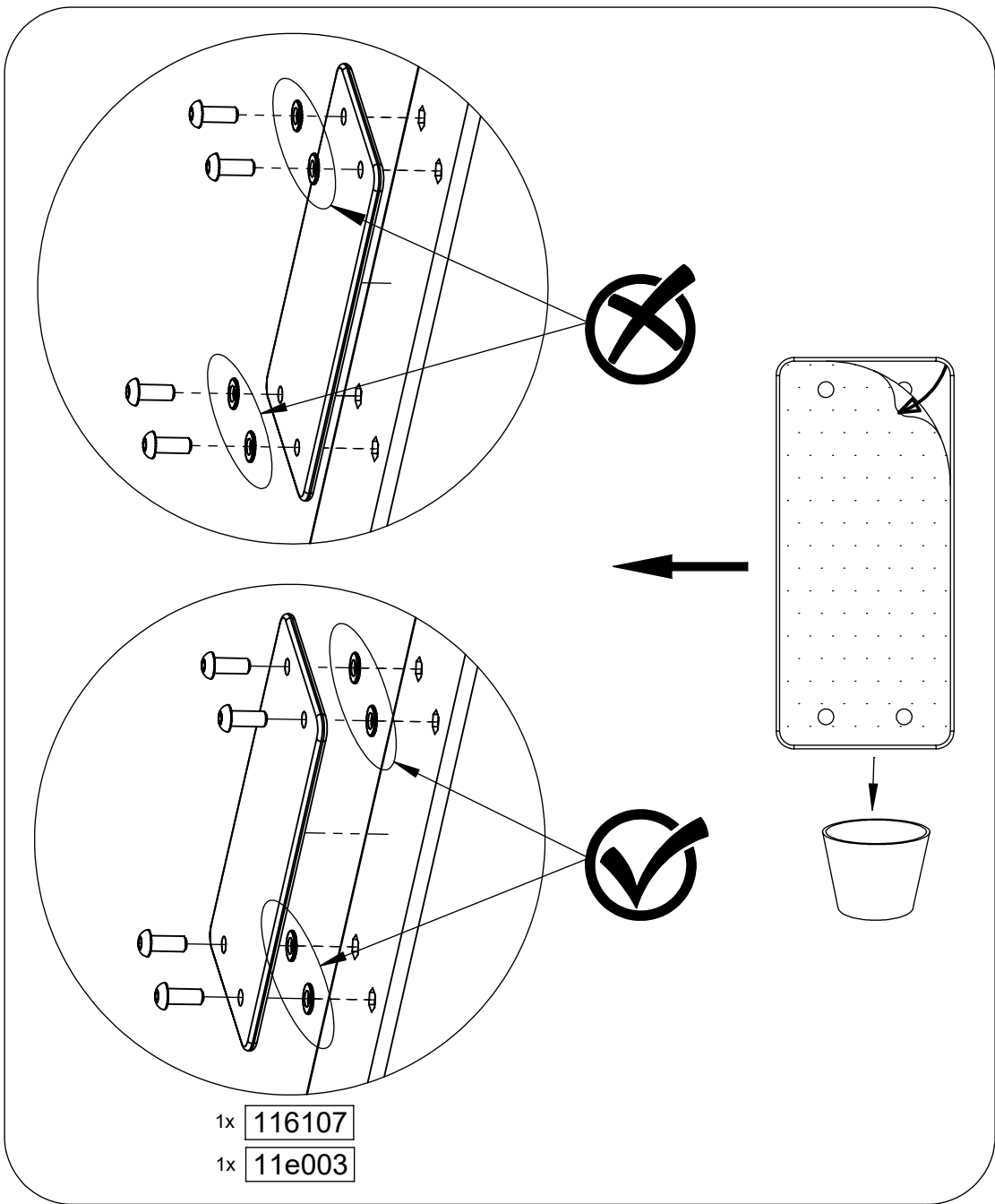
1x 11e002



[cm]



vinci  
play



[cm]



vinci  
 play