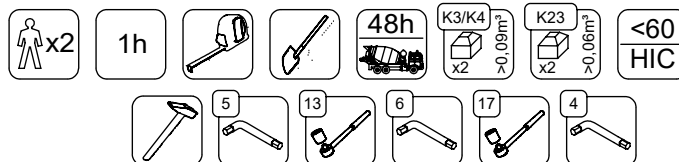
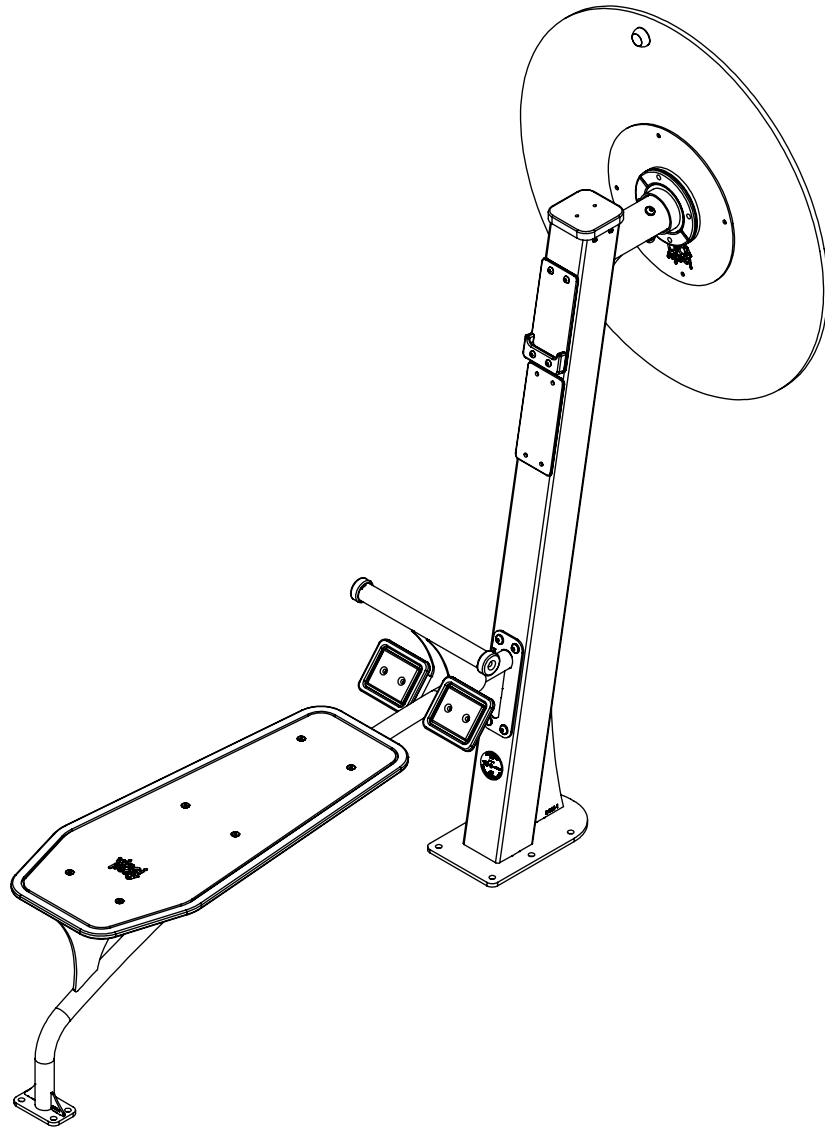
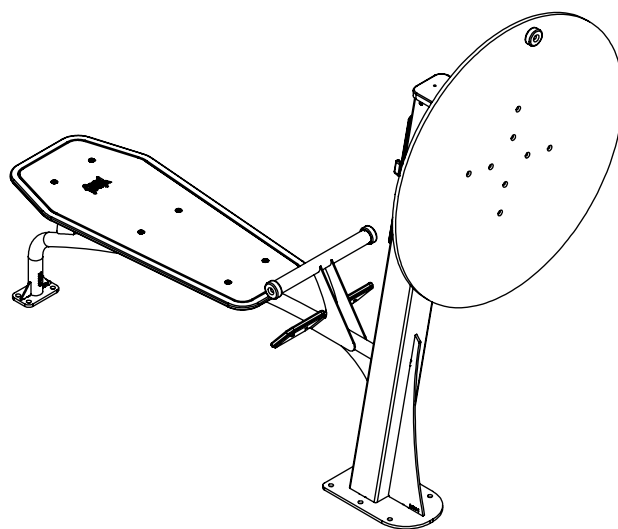
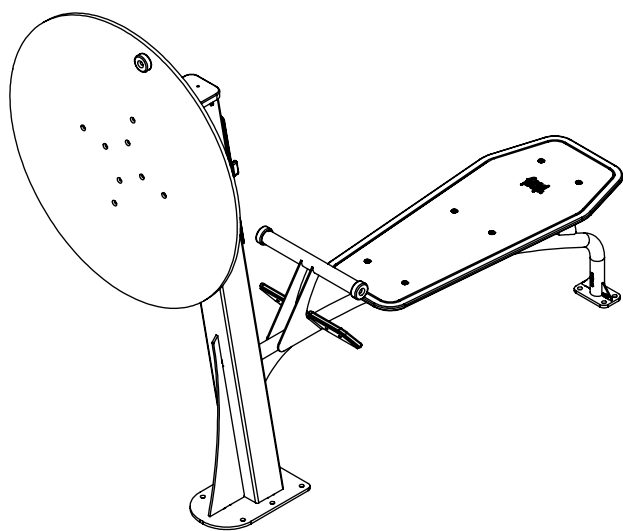
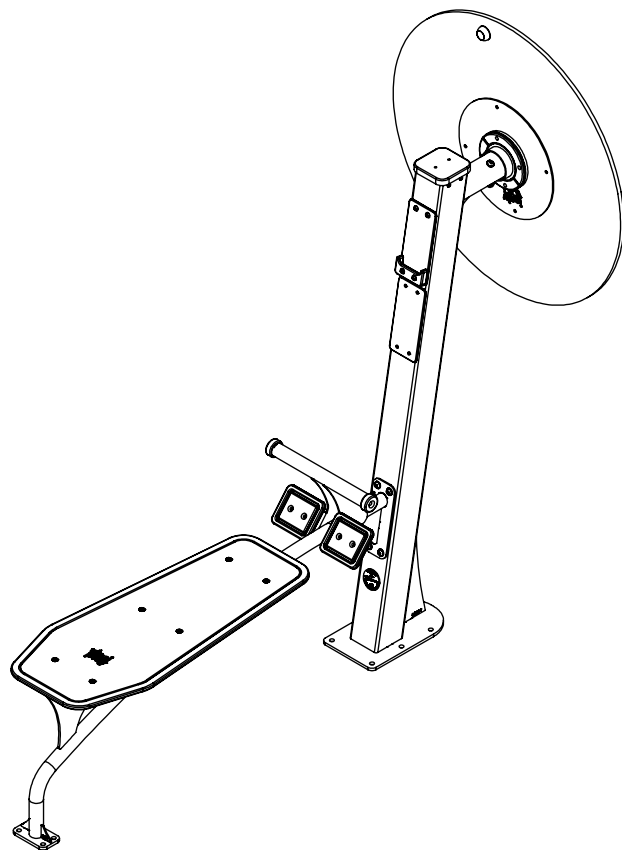
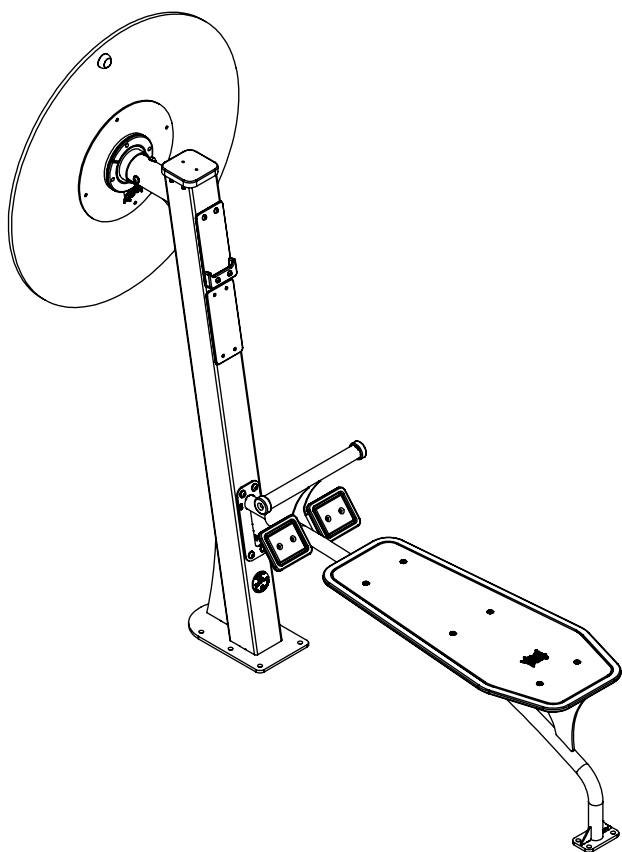


1137



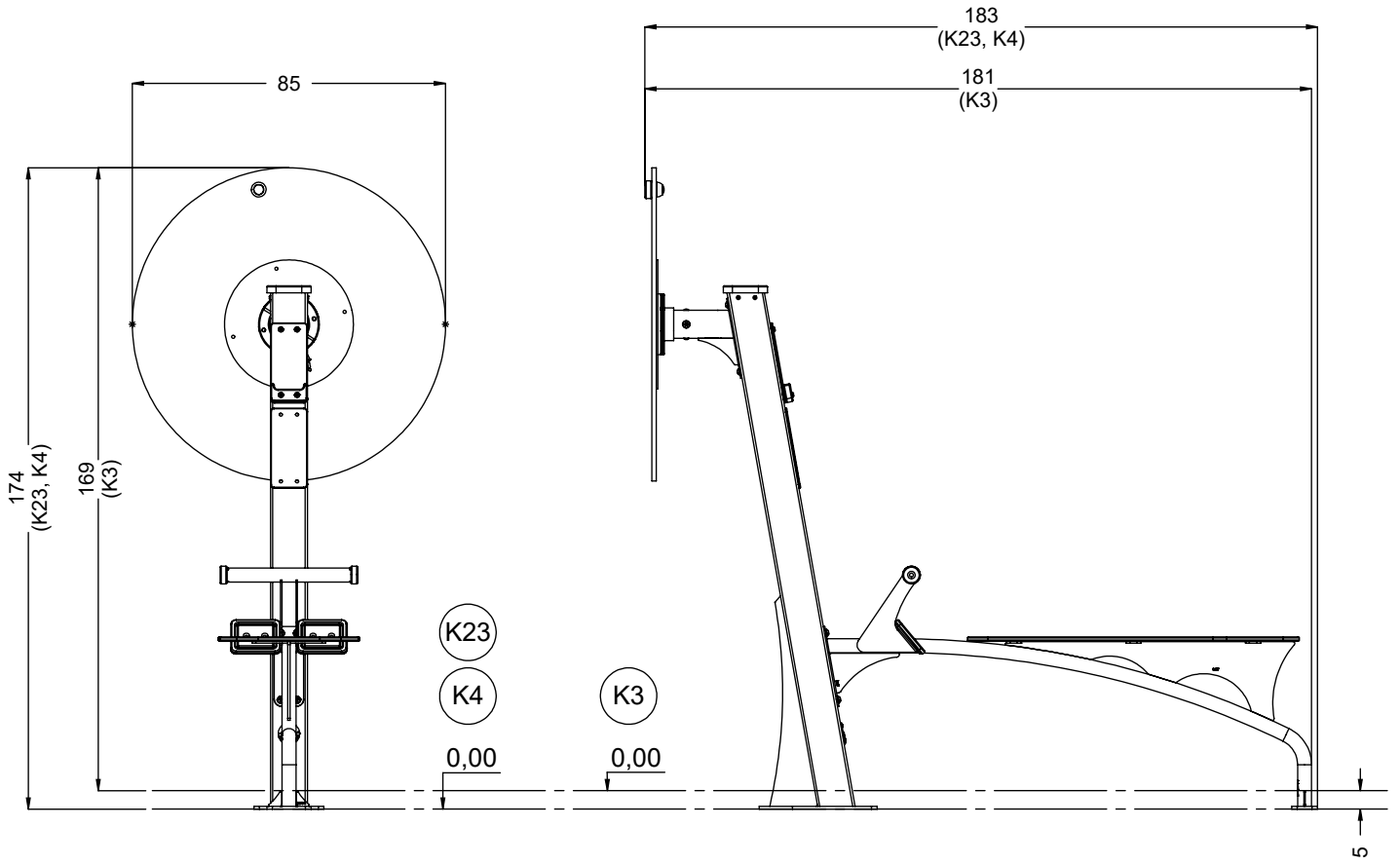
v012
16.05.2023
K. M.
[cm]

vinci
play



[cm]

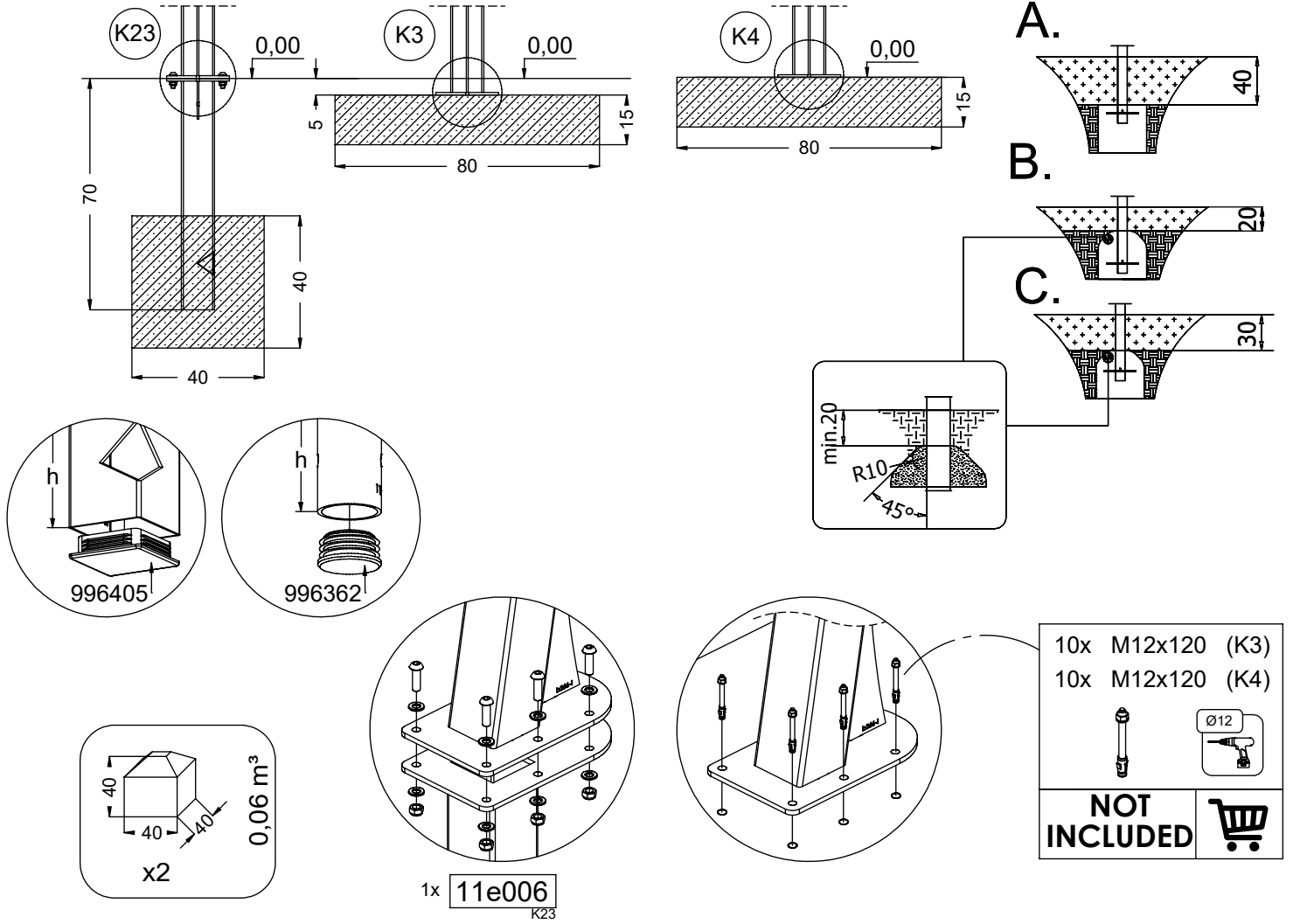
vinci
play



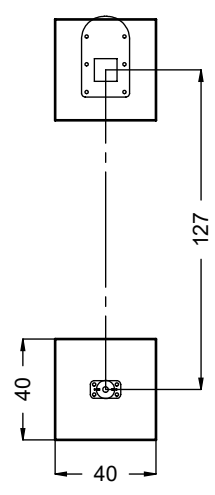
[cm]



vinci
play

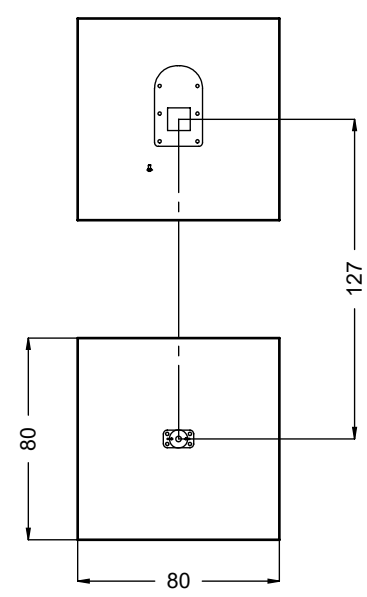


K23



K3

K4



[cm]

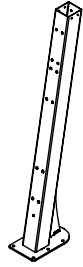
x2
 1h

 48h
 K3/K4 x2 >0.09m³
 K23 x2 >0.06m³

vinci play



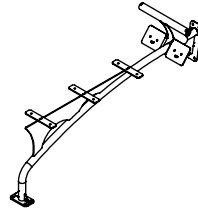
111138
x2



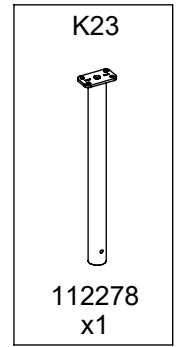
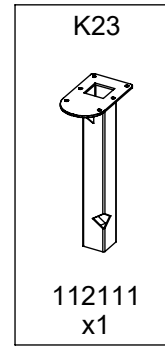
112213
112214 (inox)
x1



111107
x1



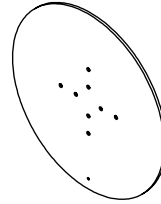
112166
112168 (inox)
x1



b465
i361 (inox)
x1

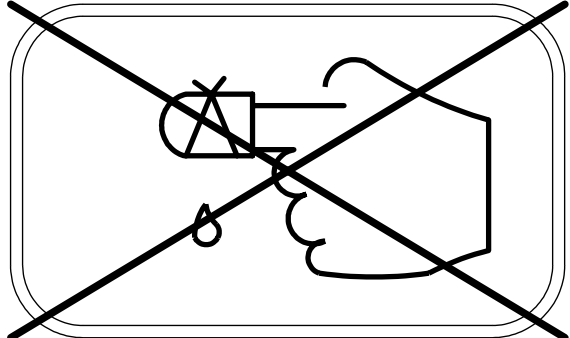
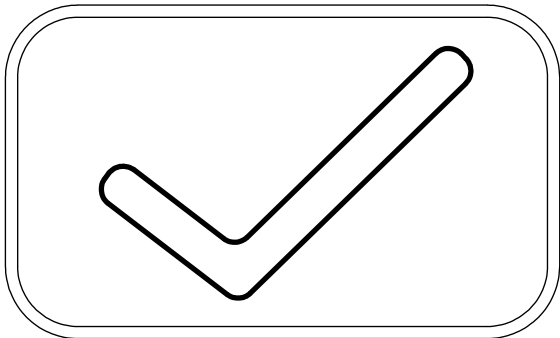
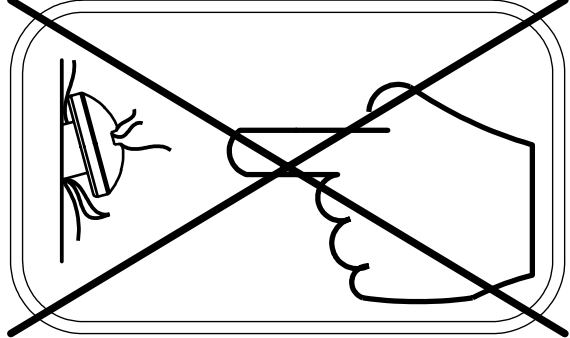
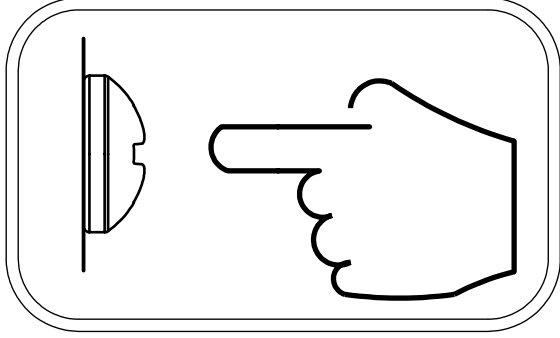
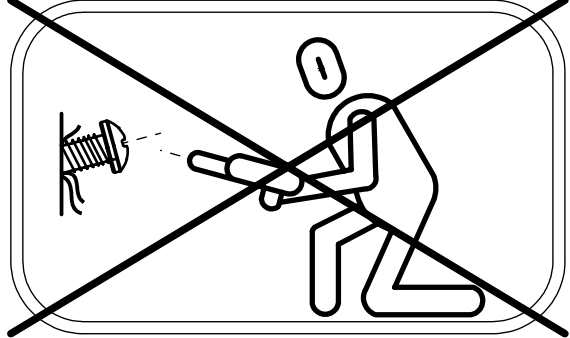
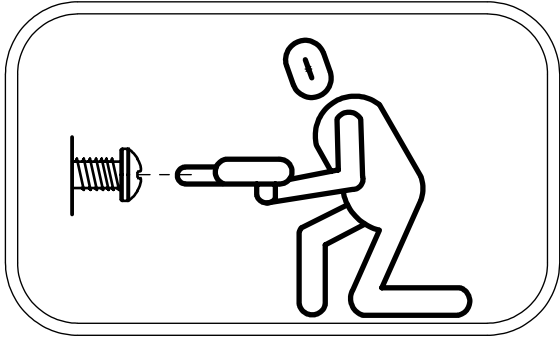


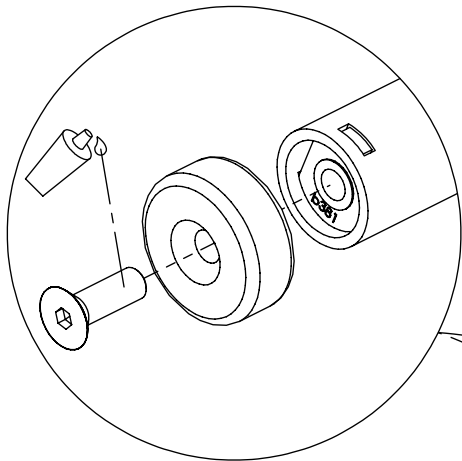
114138
114137 (inox)
x1



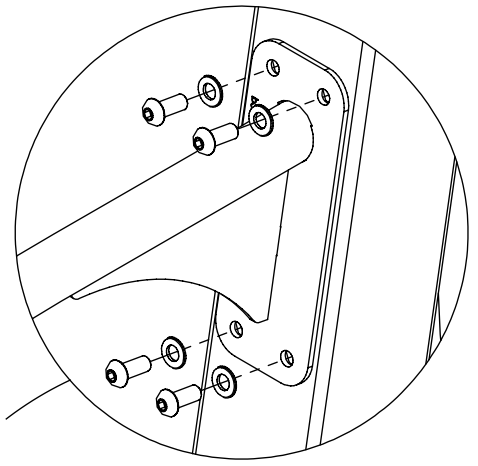
111121
x1

ST/INOX	
1x	11e006 (K23)
1x	11e019 (K23)
1x	996362 (K23)
1x	996405 (K23)
1x	23e001
1x	11e002
1x	11e003
1x	11e004
1x	11e007
1x	11e008
1x	11e009
1x	11e012
1x	11e021
1x	11e022
1x	116103
1x	116110
1x	V003

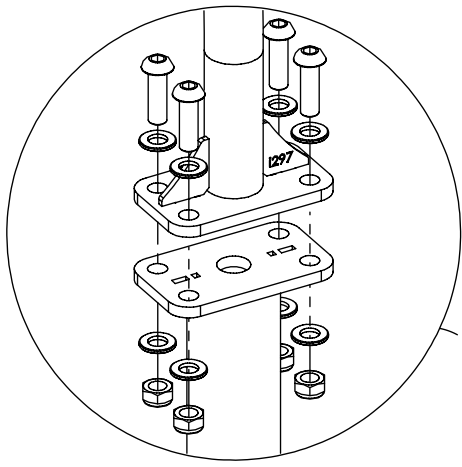




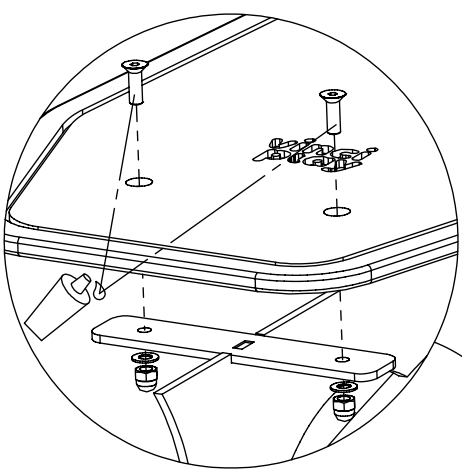
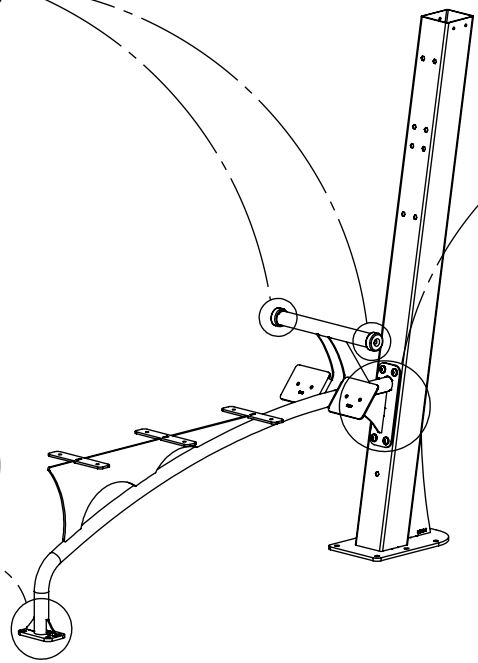
1x 11e012



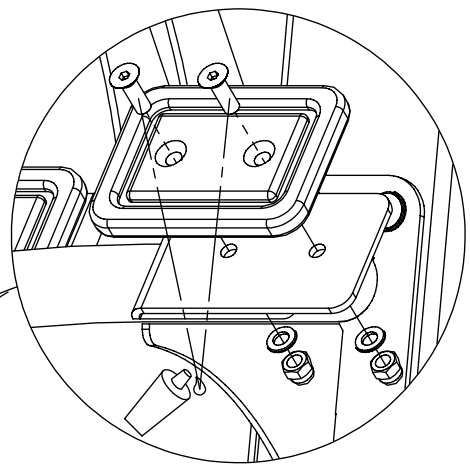
1x 11e008



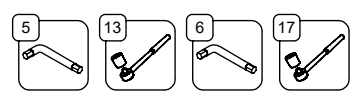
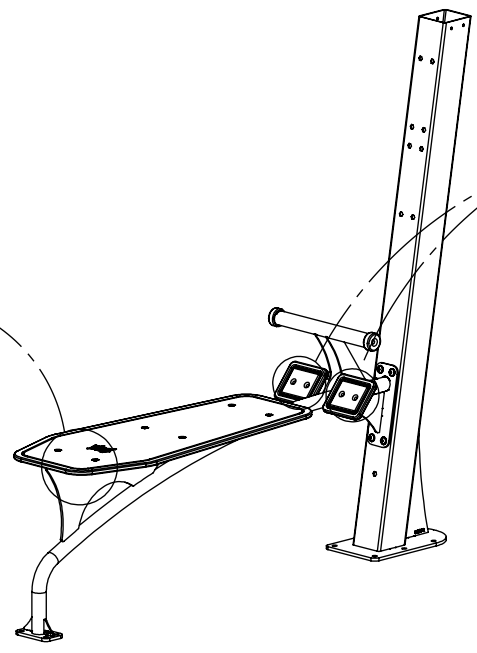
1x 11e019
K23



1x 11e007

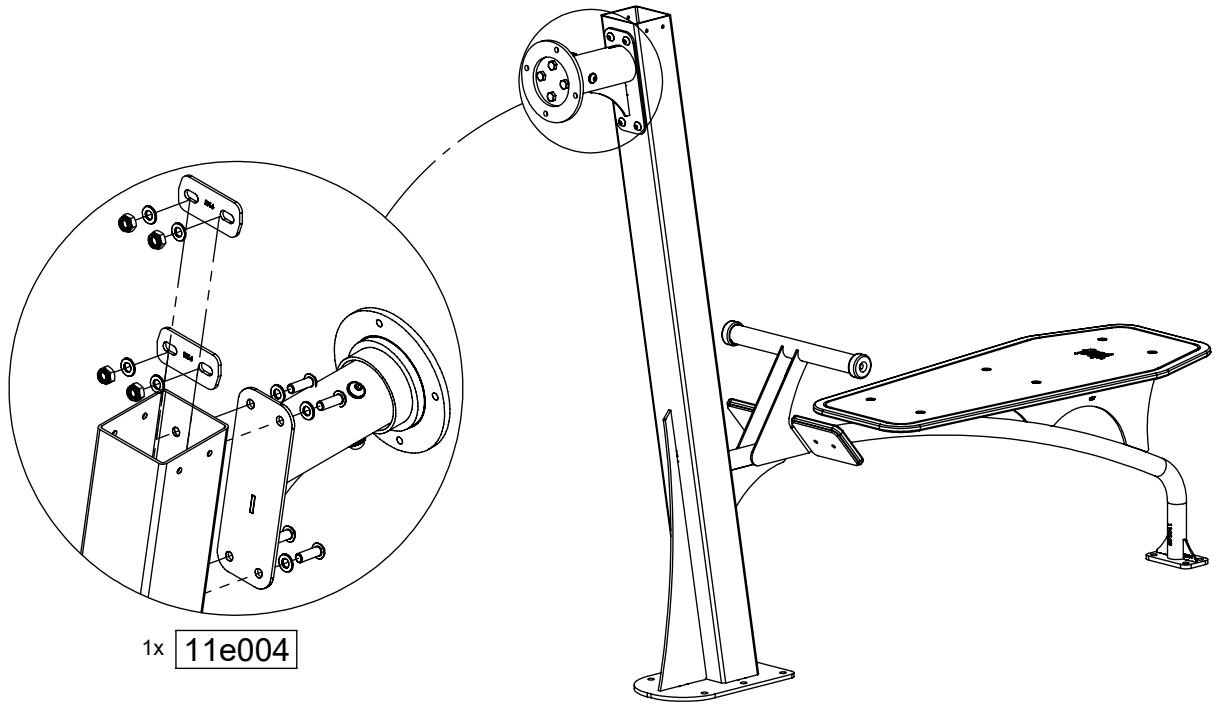


1x 11e009

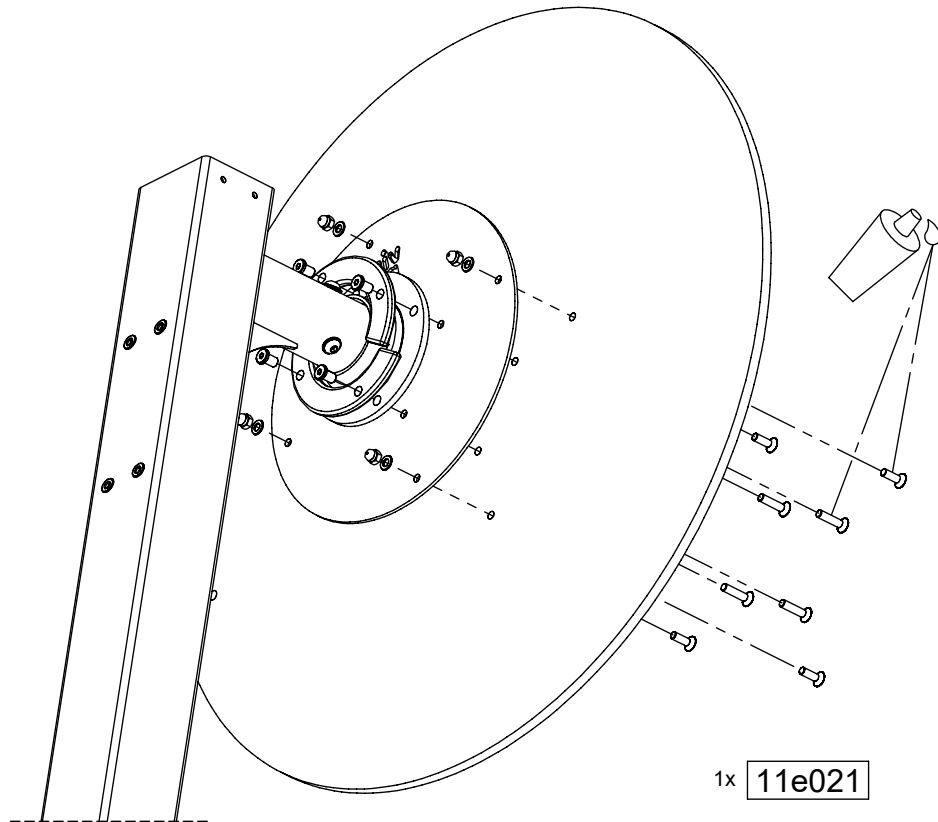


[cm]

vinci
play



1x 11e004

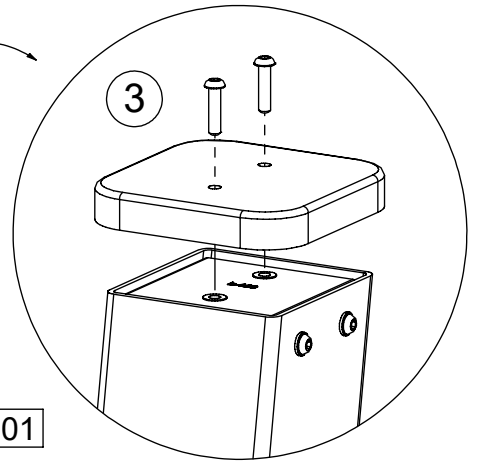
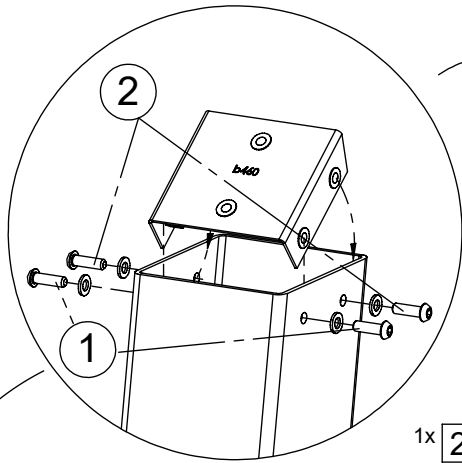


1x 11e021

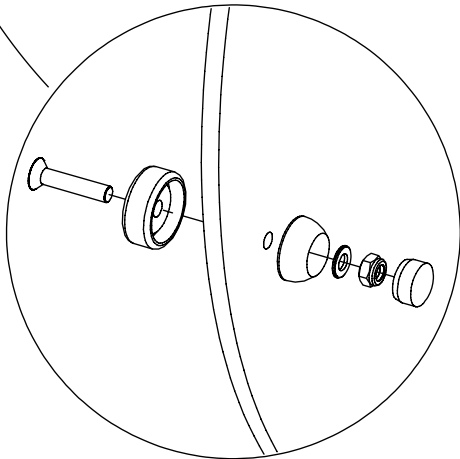
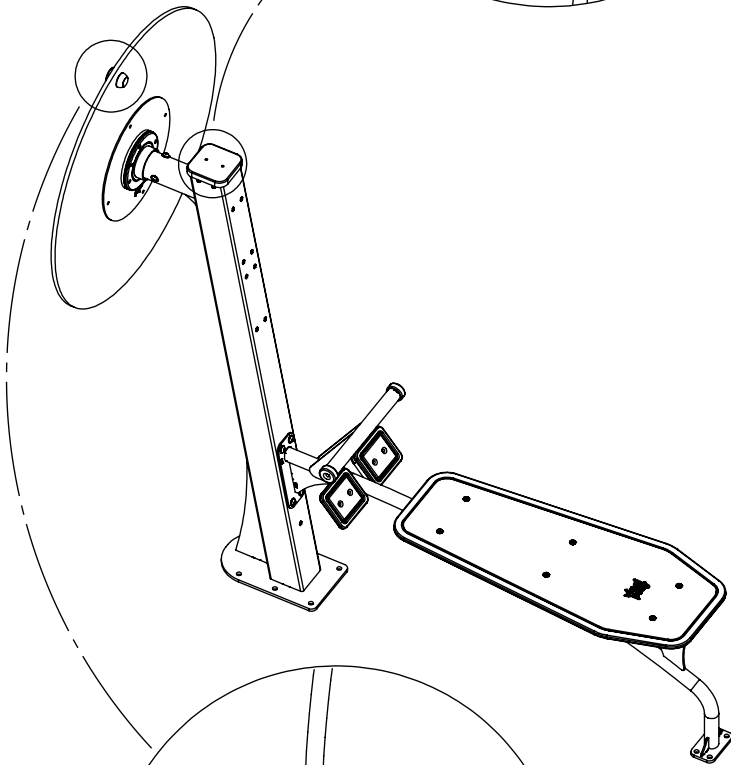
[cm]



vinci
play



1x 23e001

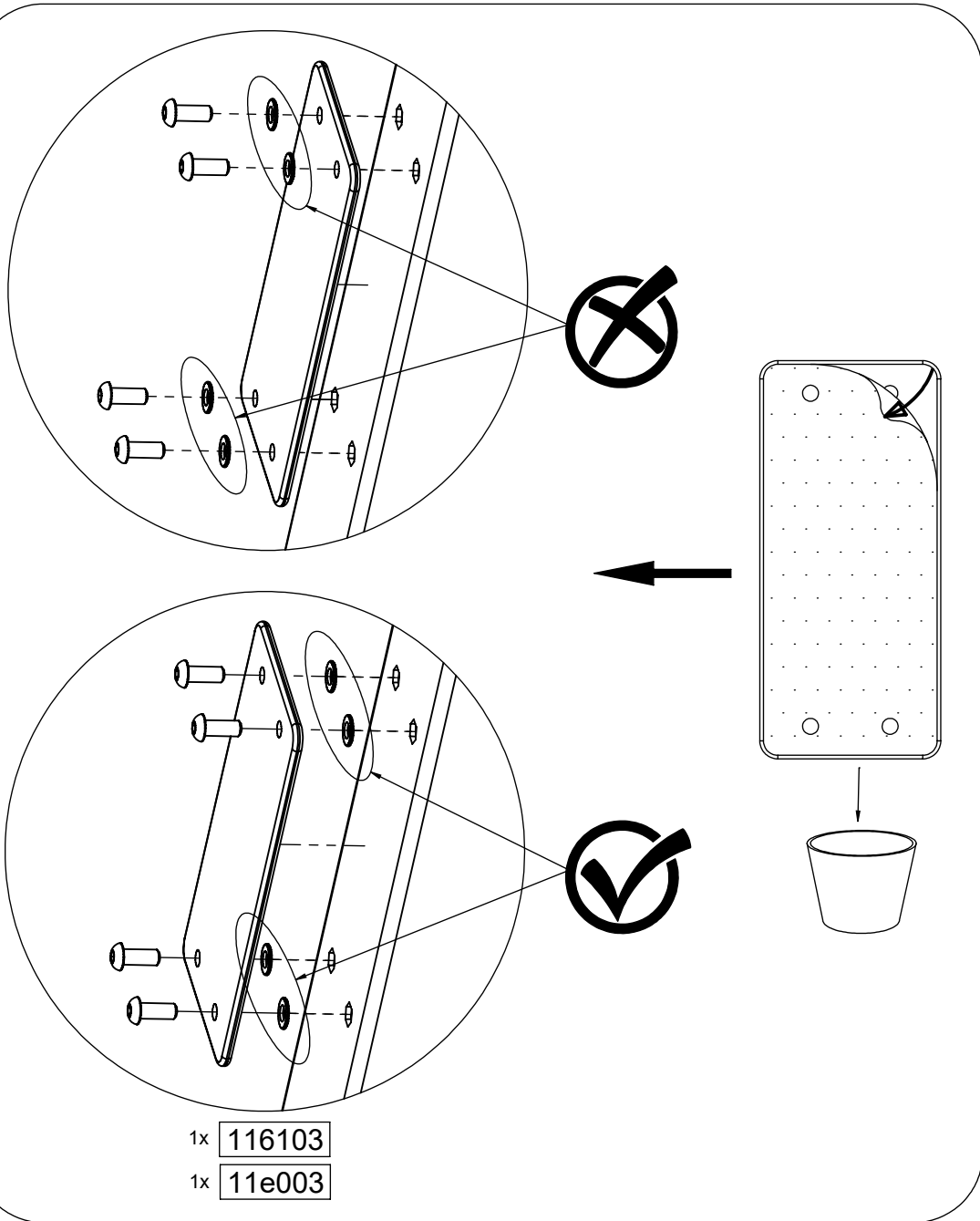


1x 11e022

[cm]

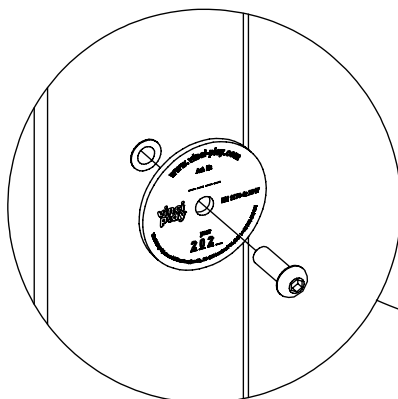


vinci
play

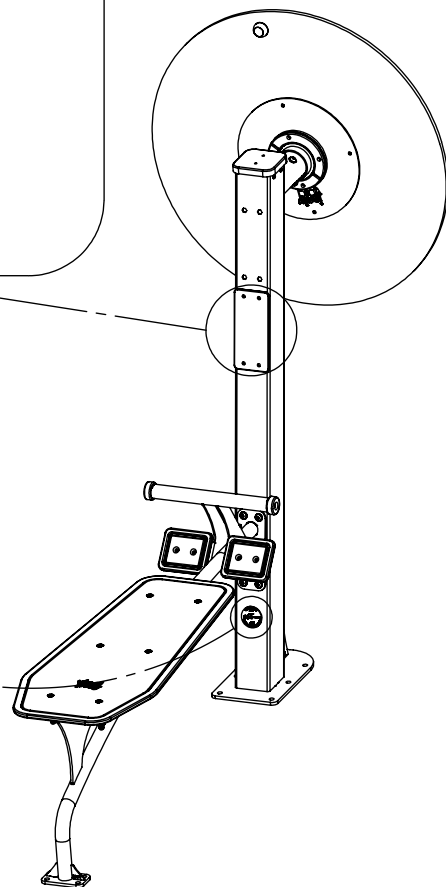


1x 116103

1x 11e003



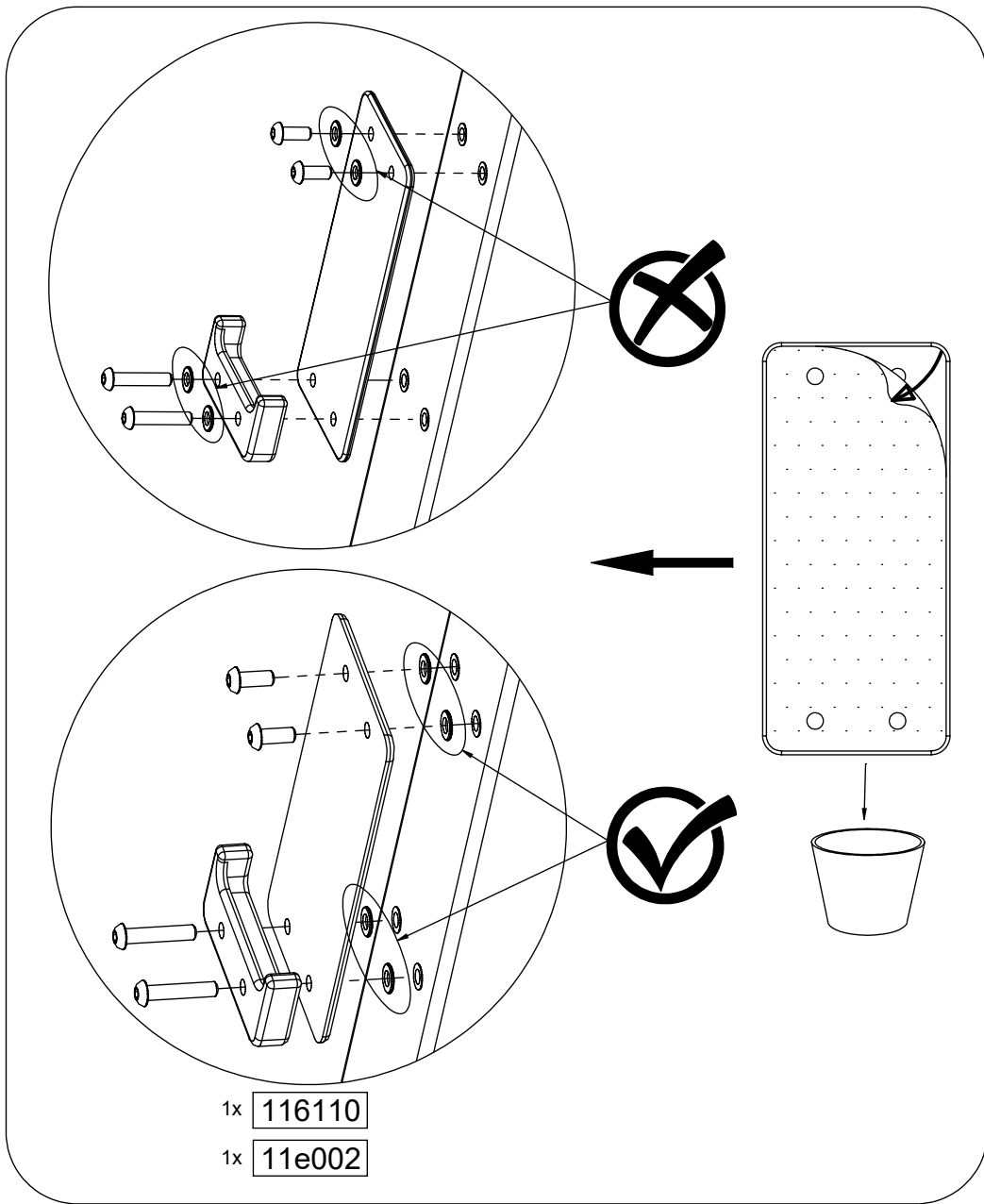
1x V003



[cm]

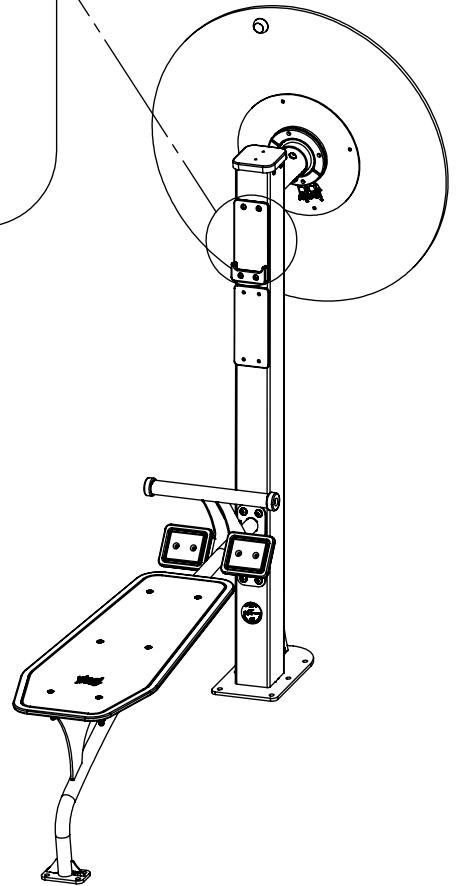


vinci
play



Part No:
000000-
00000

000000-00000



[cm]



vinci
play