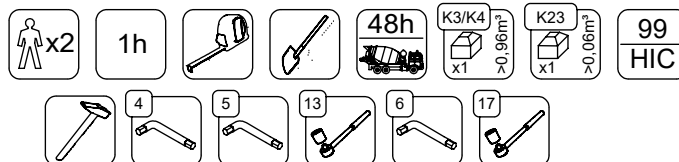
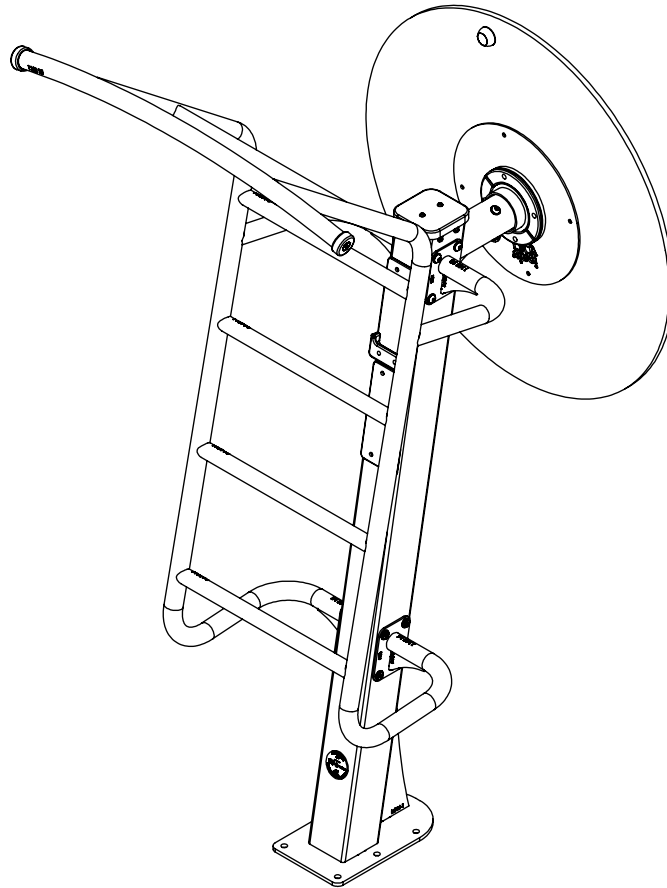
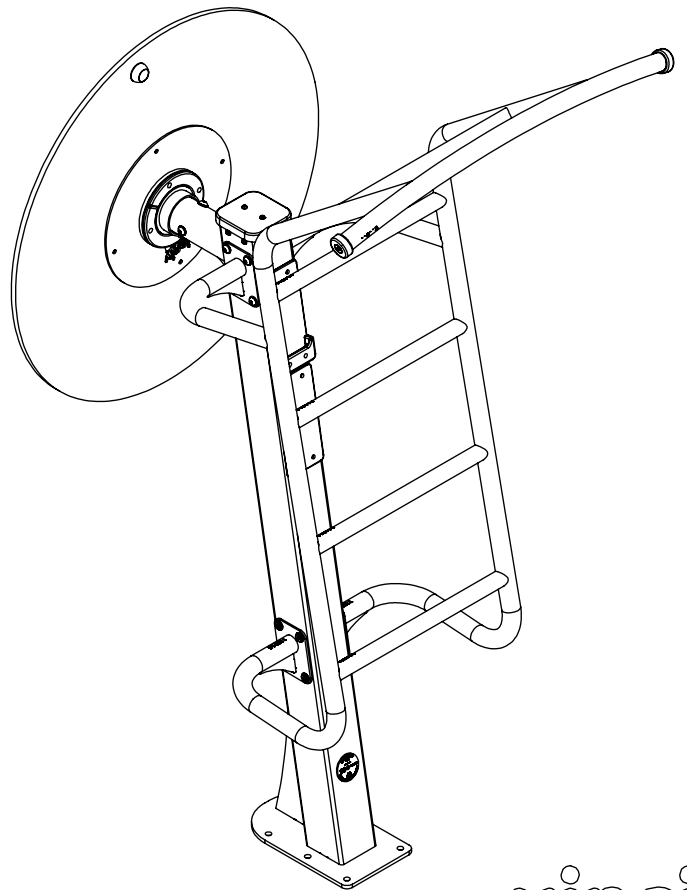
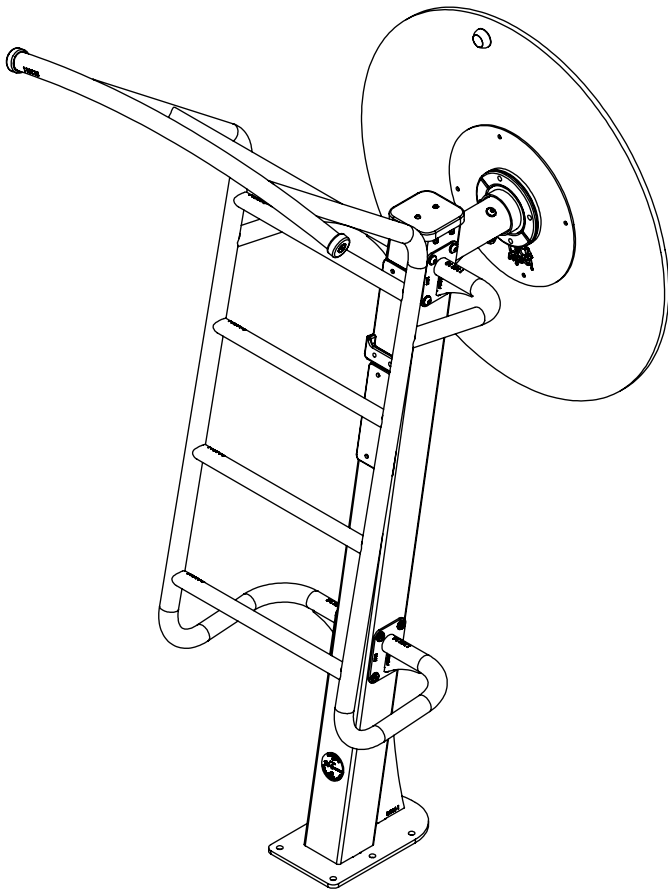
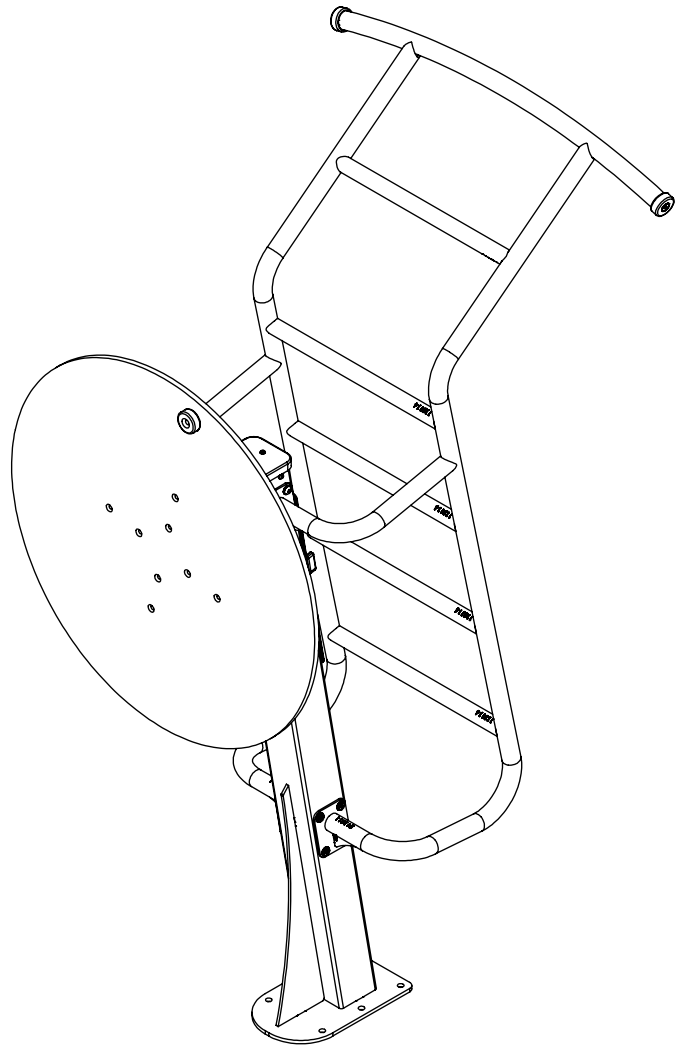
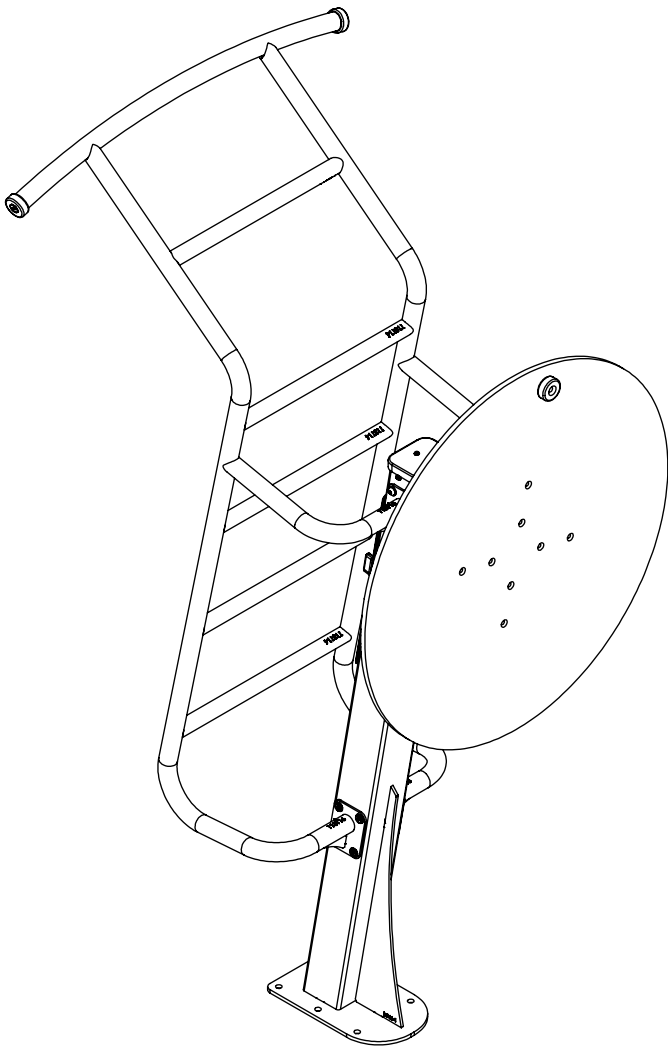


1134



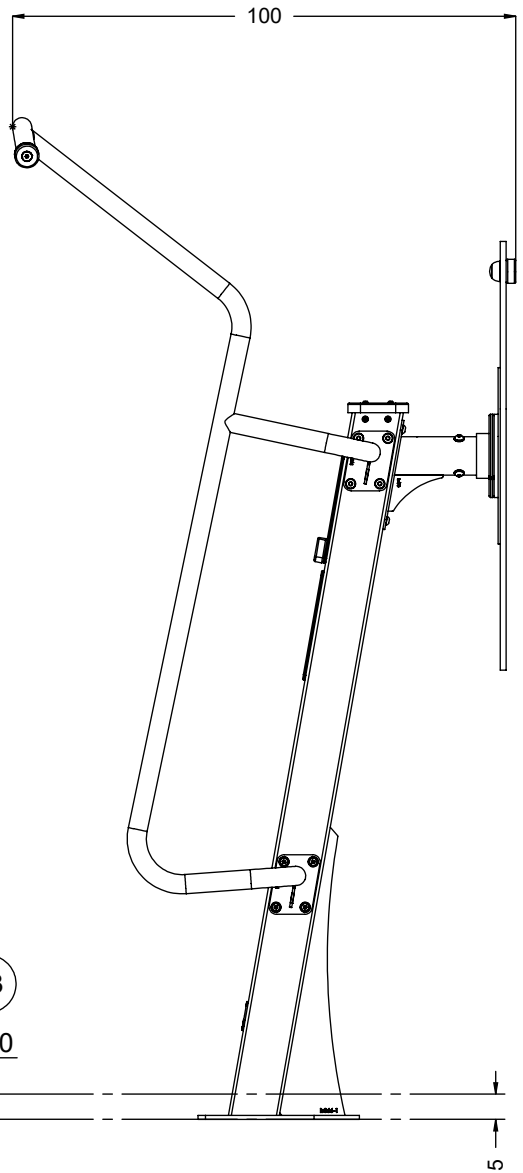
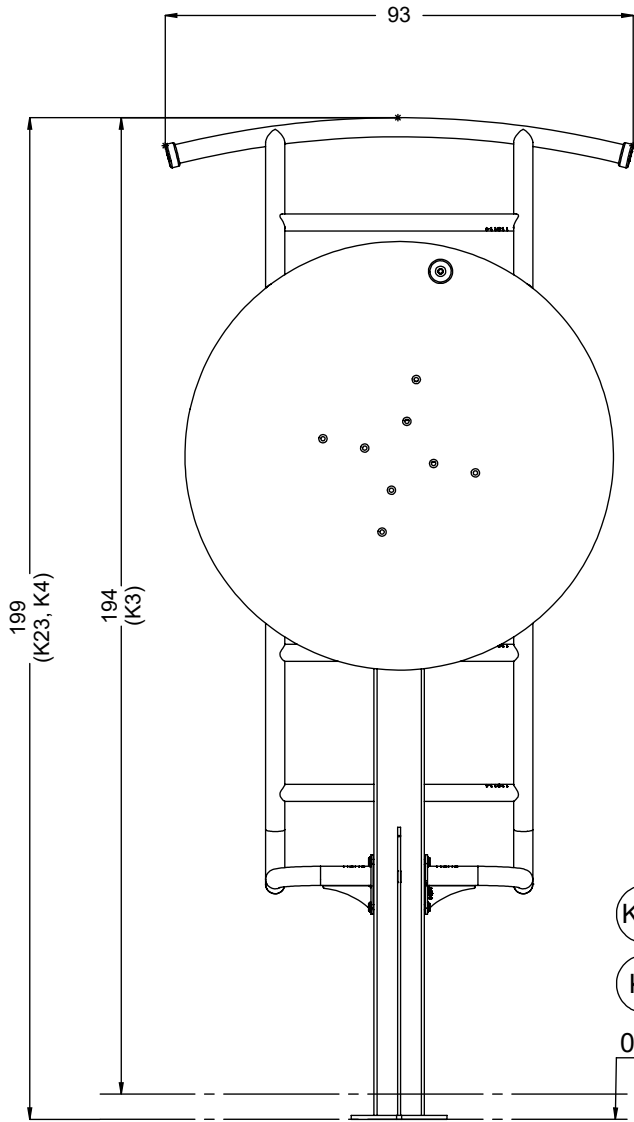
v011
16.05.2023
K. M.
[cm]

vinci
play



[cm]

vinci
play



K23

K4

0,00

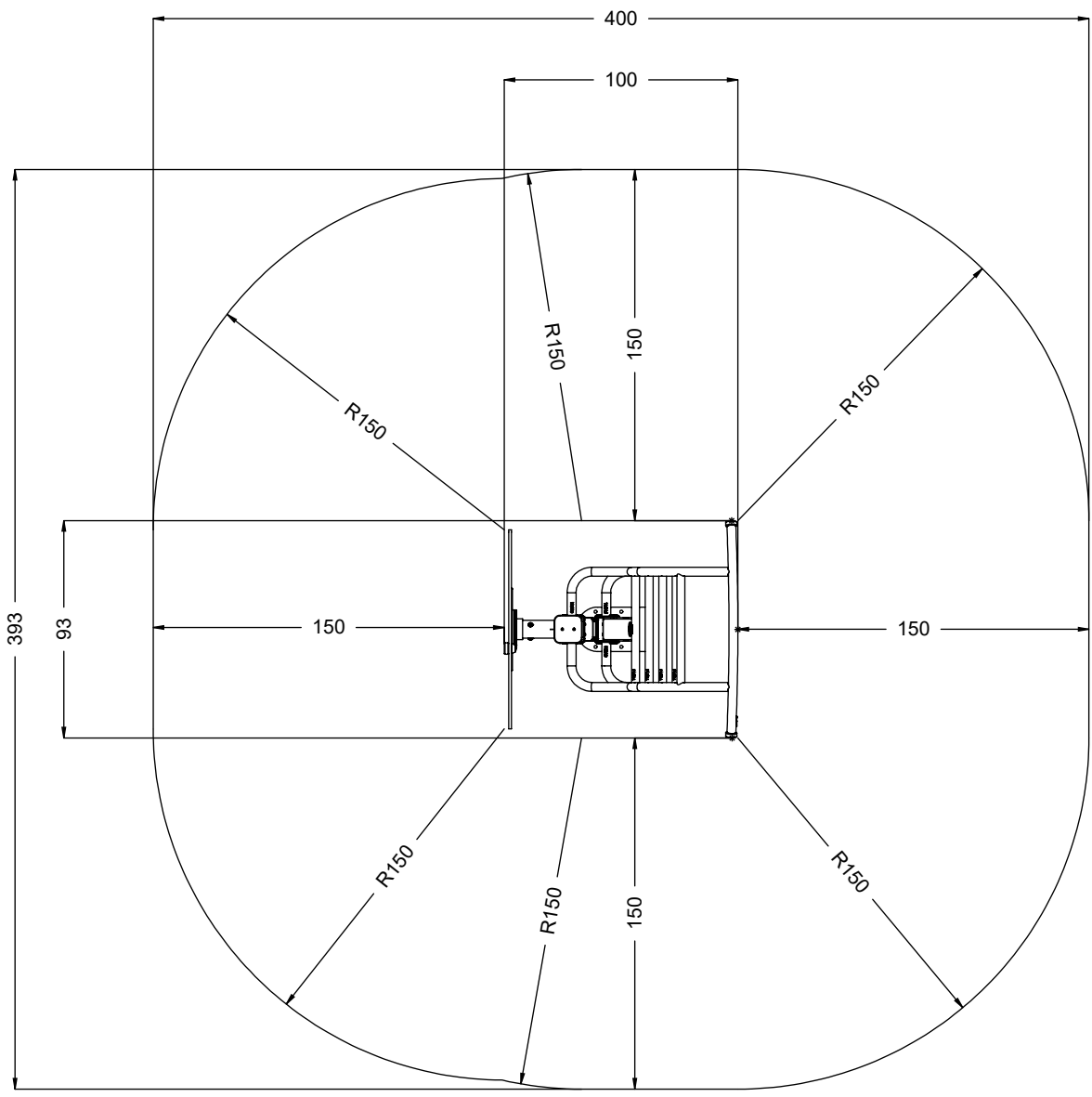
K3

0,00

[cm]



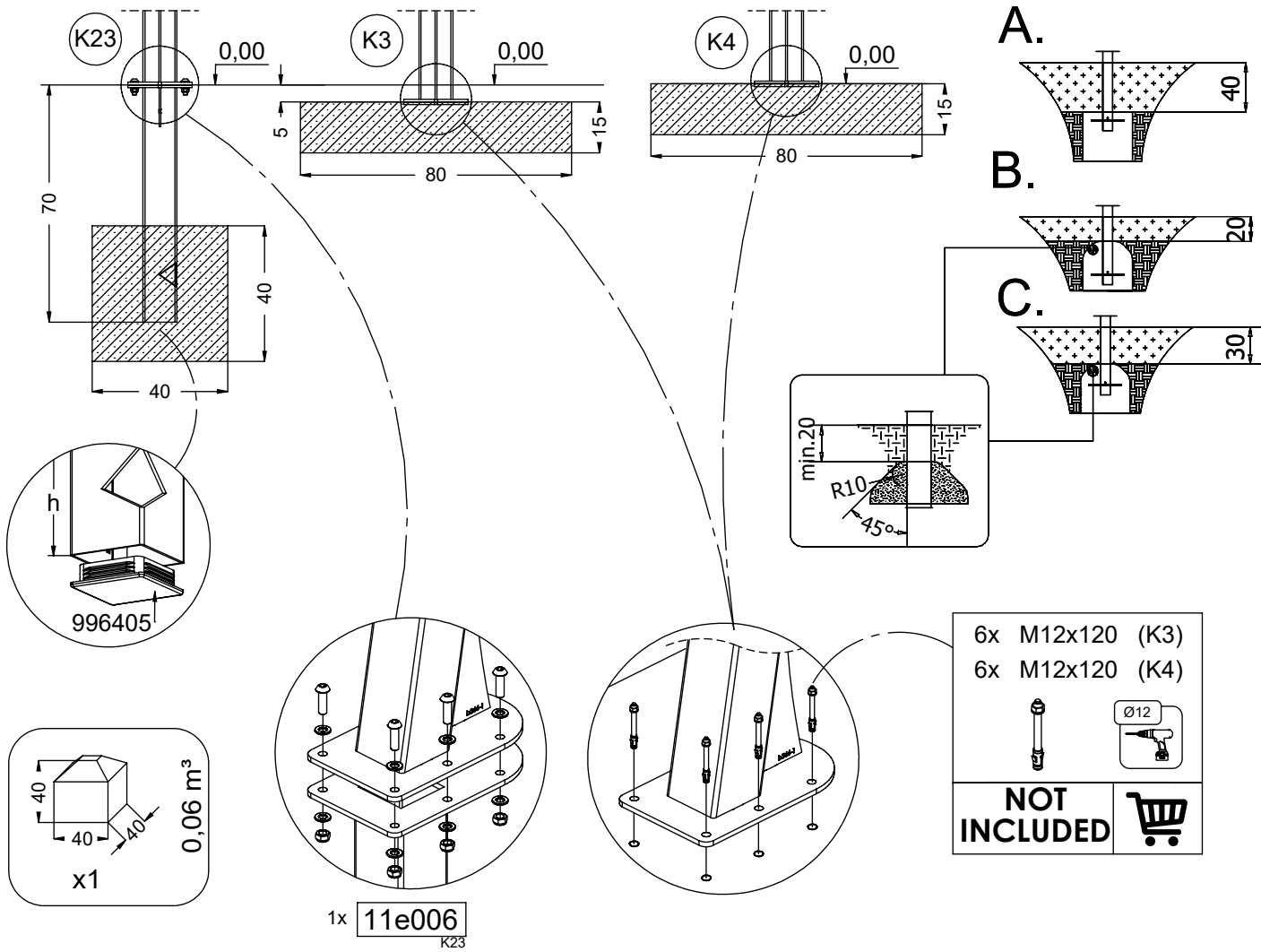
vinci
play



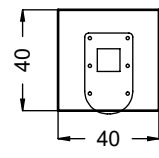
[cm]



vinci
play

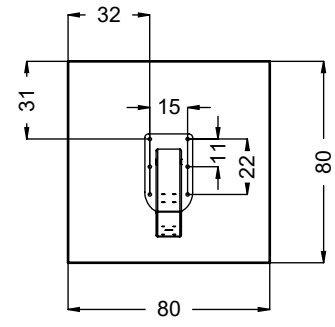


K23



K3

K4

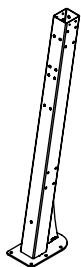


[cm]

x2
 1h

 48h
 K3/K4 x1 >0,96m³
 K23 x1 >0,06m³
 19
 7

vinci play



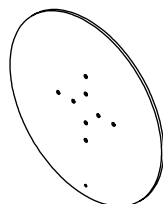
112209
112210 (inox)
x1



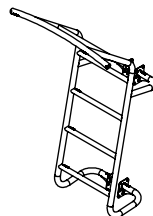
b465
i361 (inox)
x1



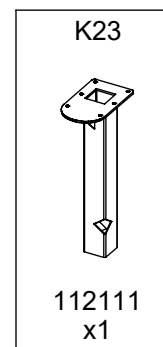
114138
114137 (inox)
x1



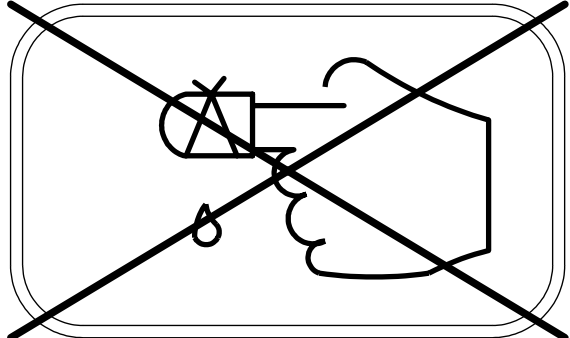
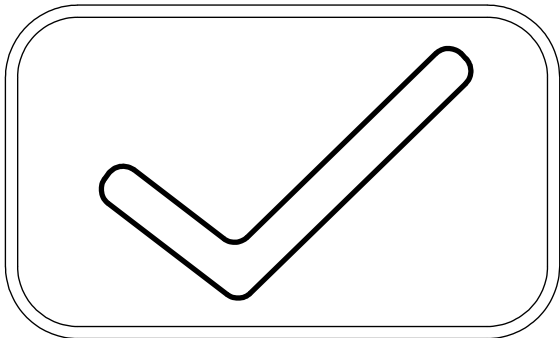
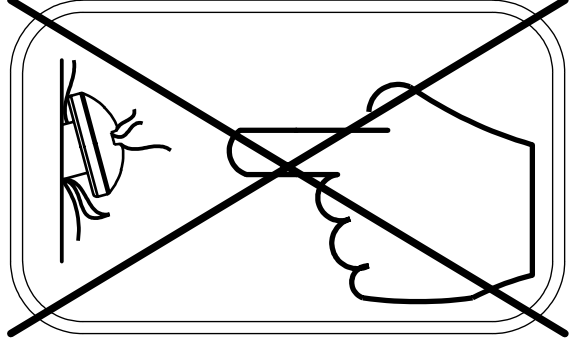
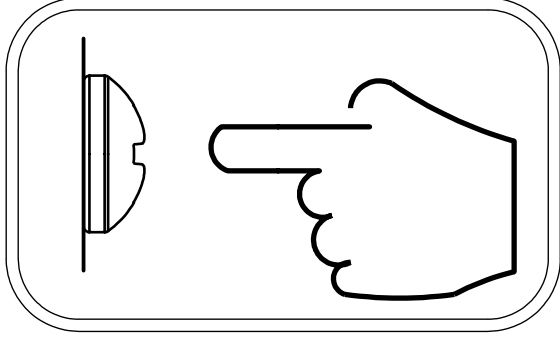
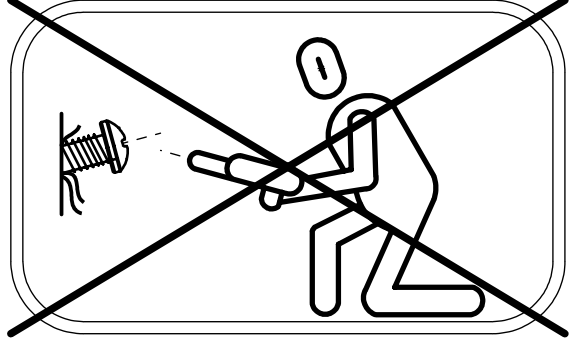
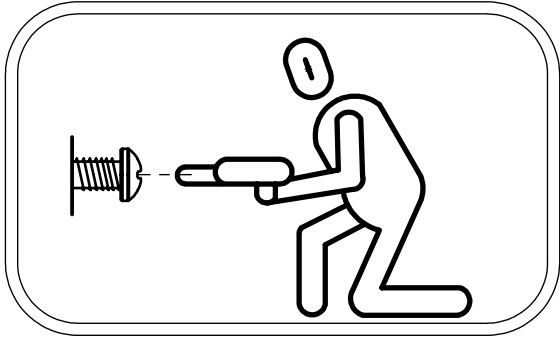
111121
x1

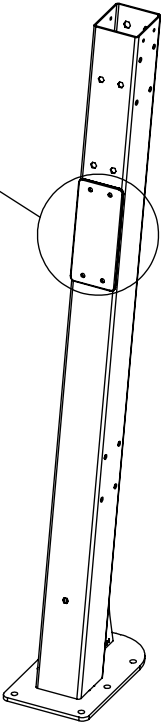
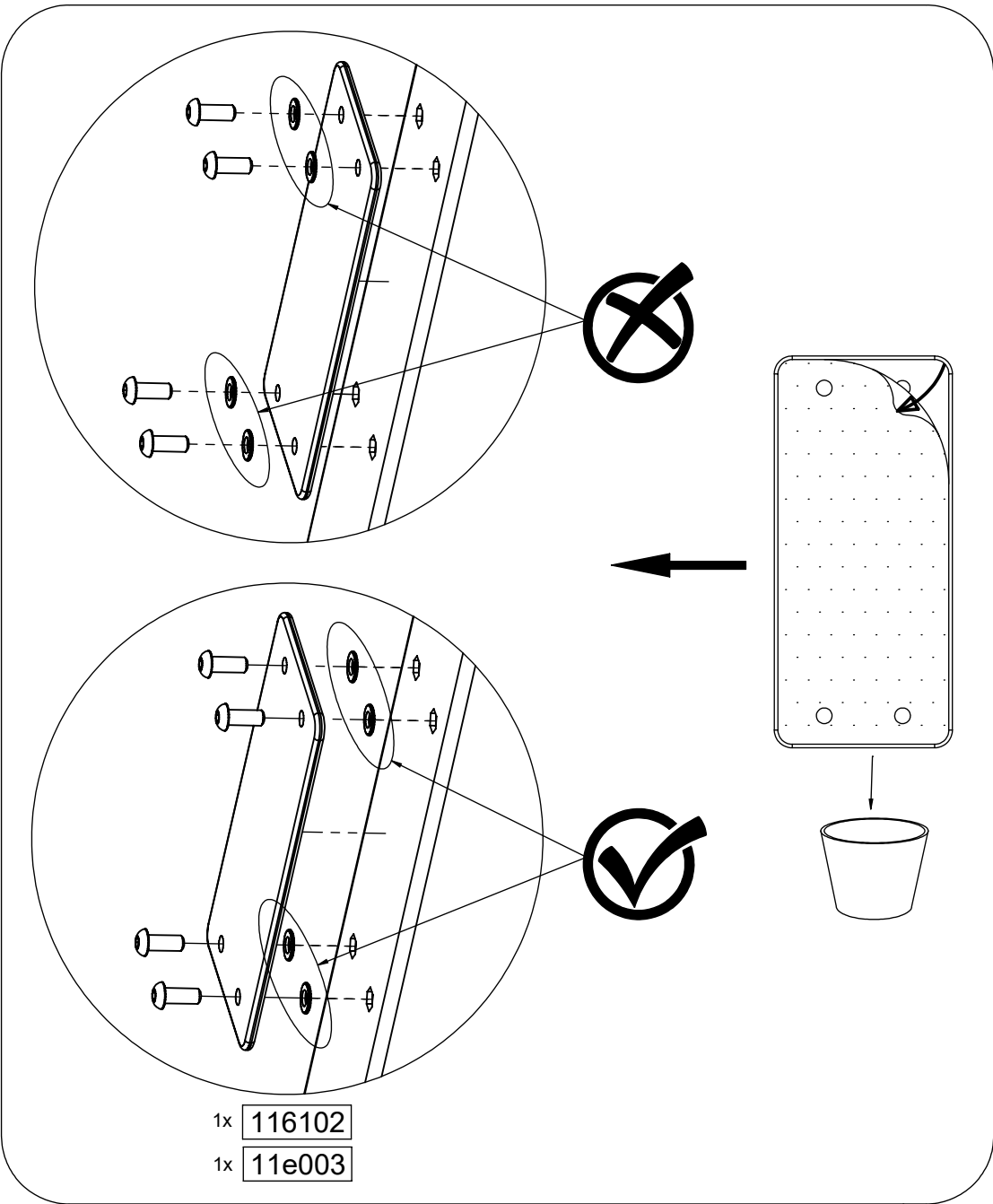


112116
112162 (inox)
x1



ST/INOX	
1x	11e006 (K23)
1x	23e001
1x	11e003
1x	11e002
3x	11e004
1x	11e005
1x	11e012
1x	116102
1x	116110
1x	11e021
1x	11e022
1x	996405 (K23)
1x	V003

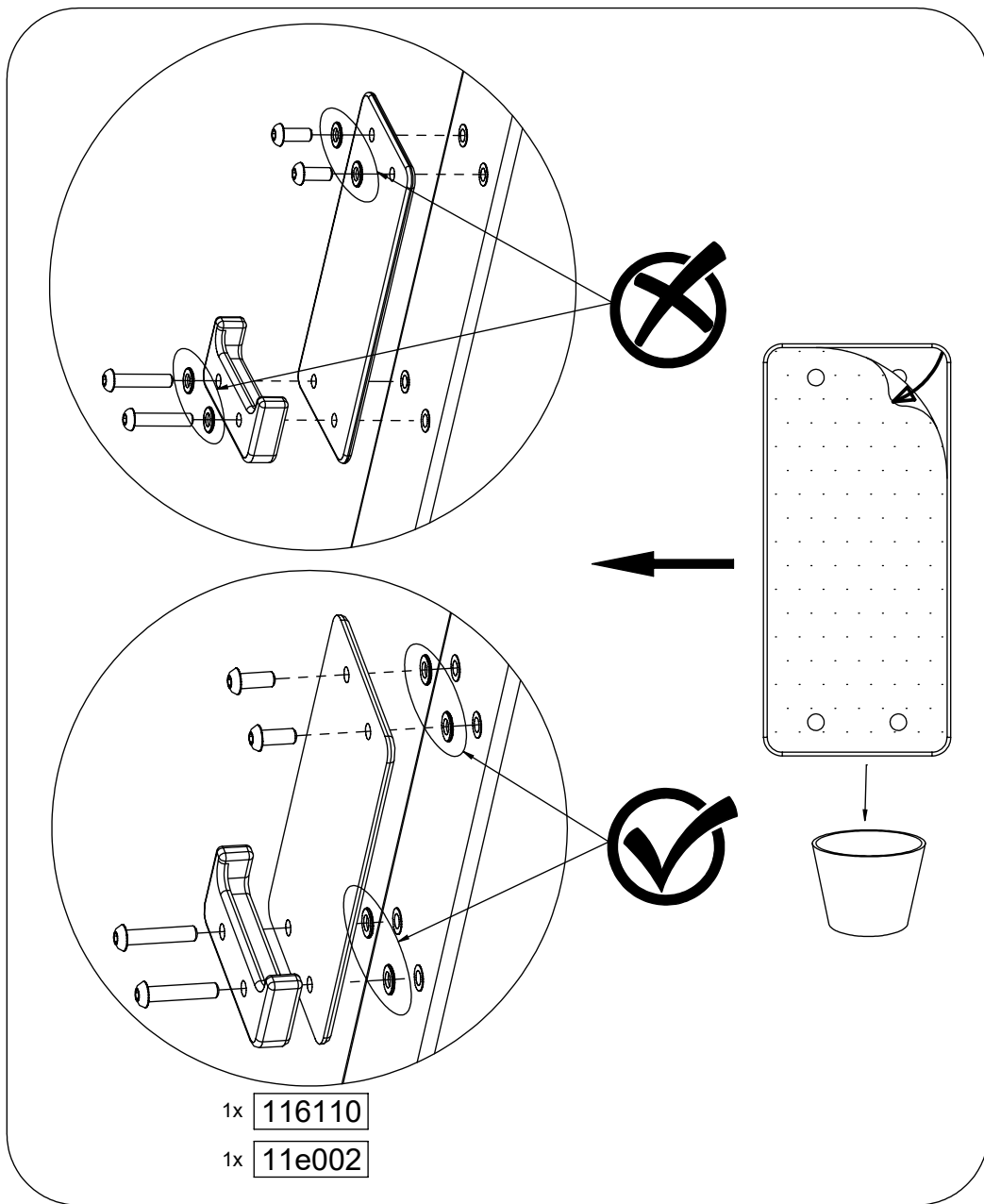




[cm]

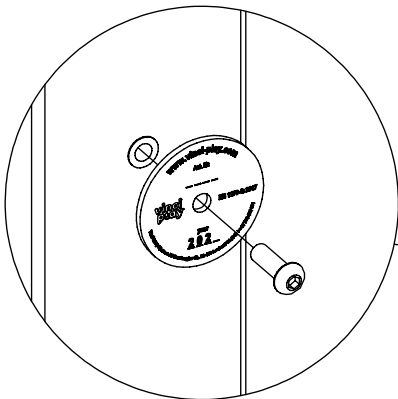


vinci
play

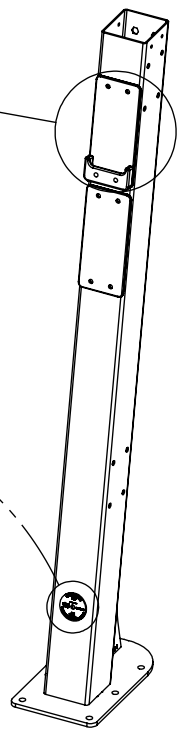


1x 116110

1x 11e002



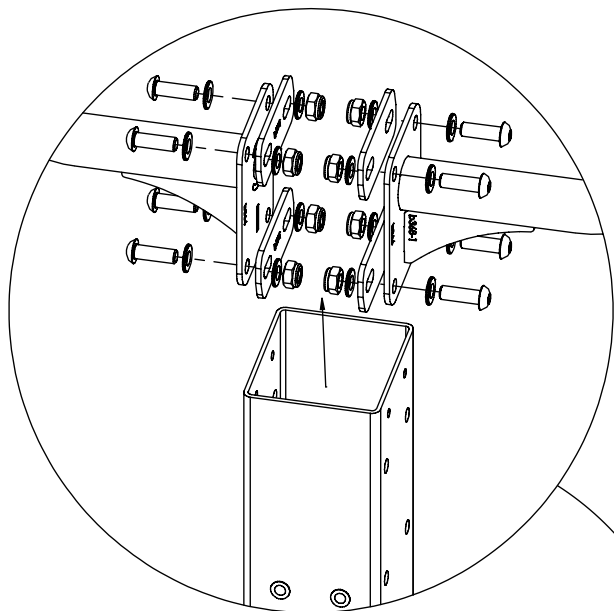
1x V003



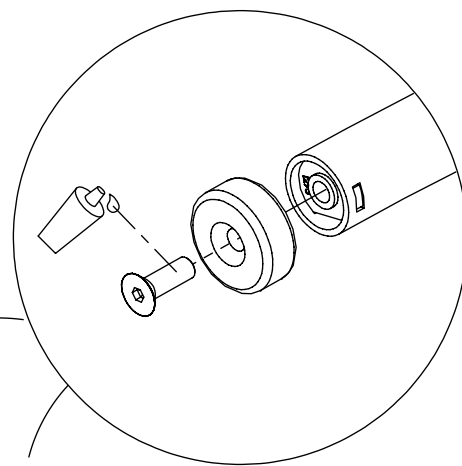
[cm]



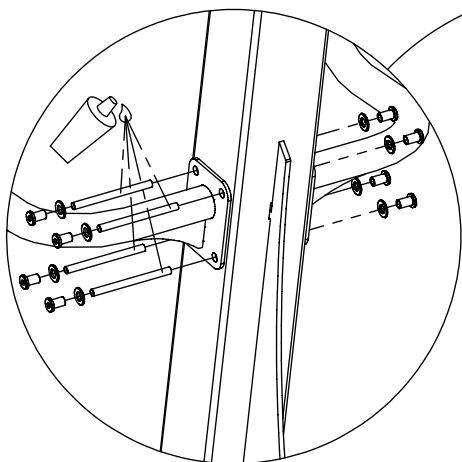
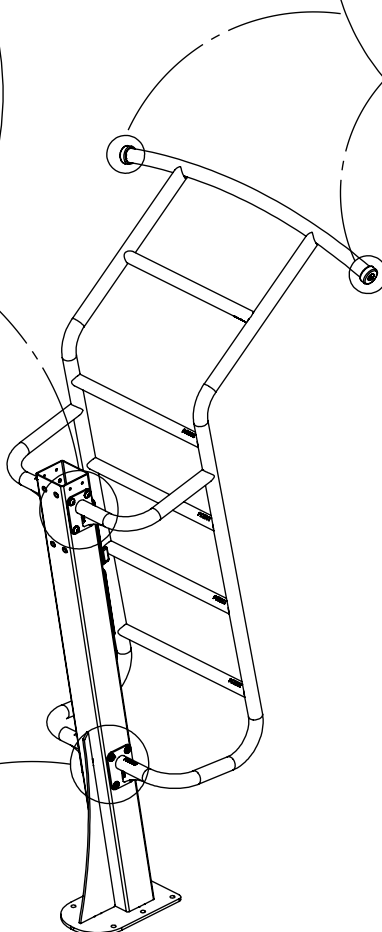
vinci
play



2x 11e004



1x 11e012

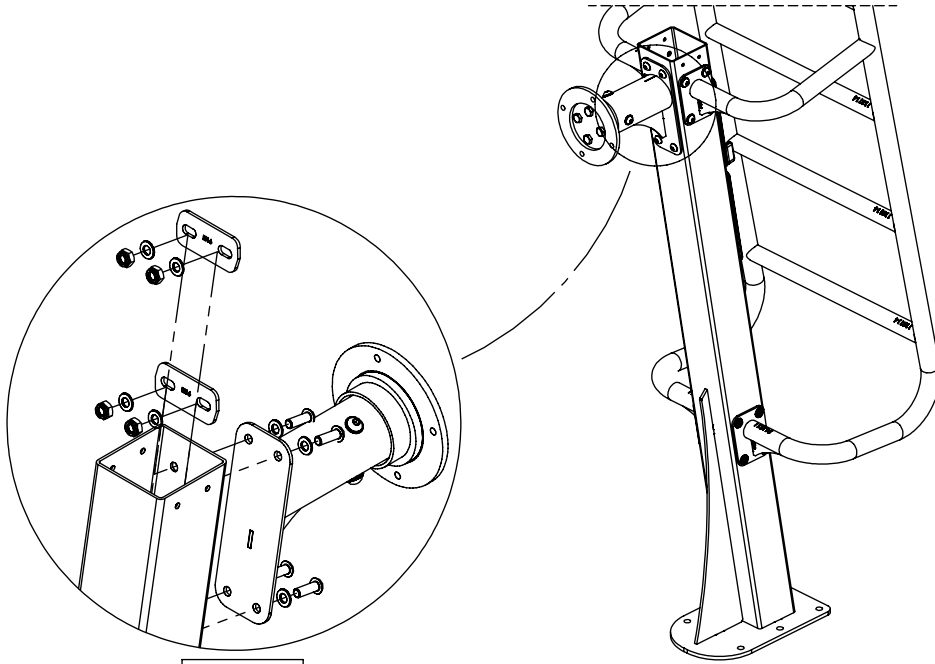


1x 11e005

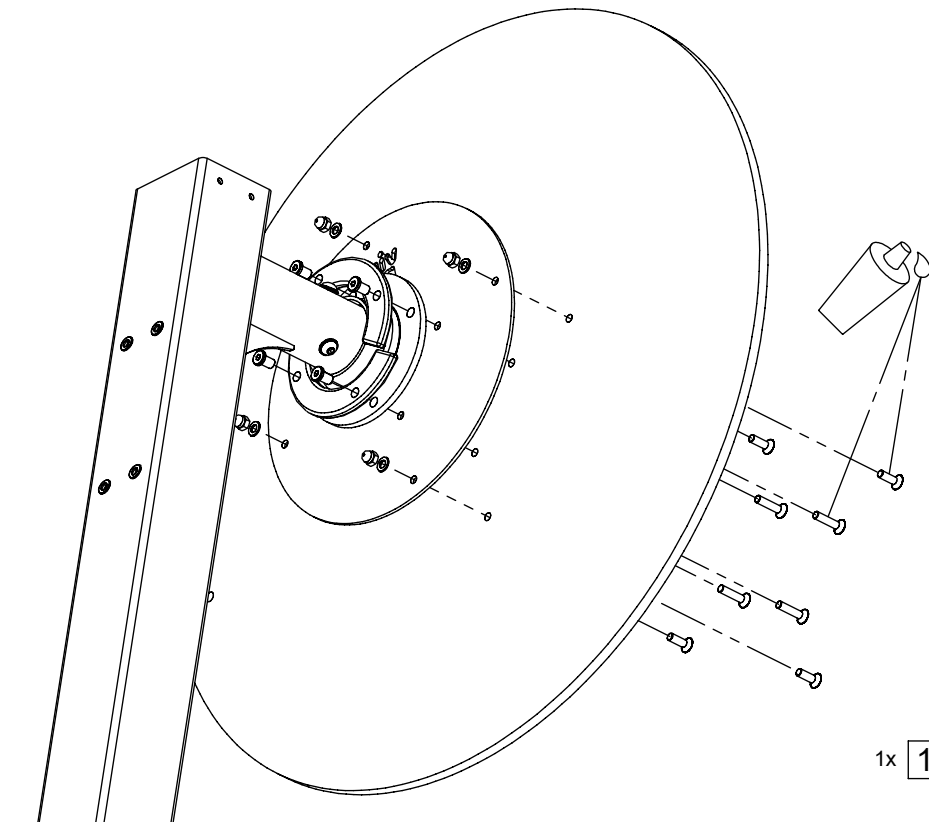
[cm]



vinci
play



1x 11e004

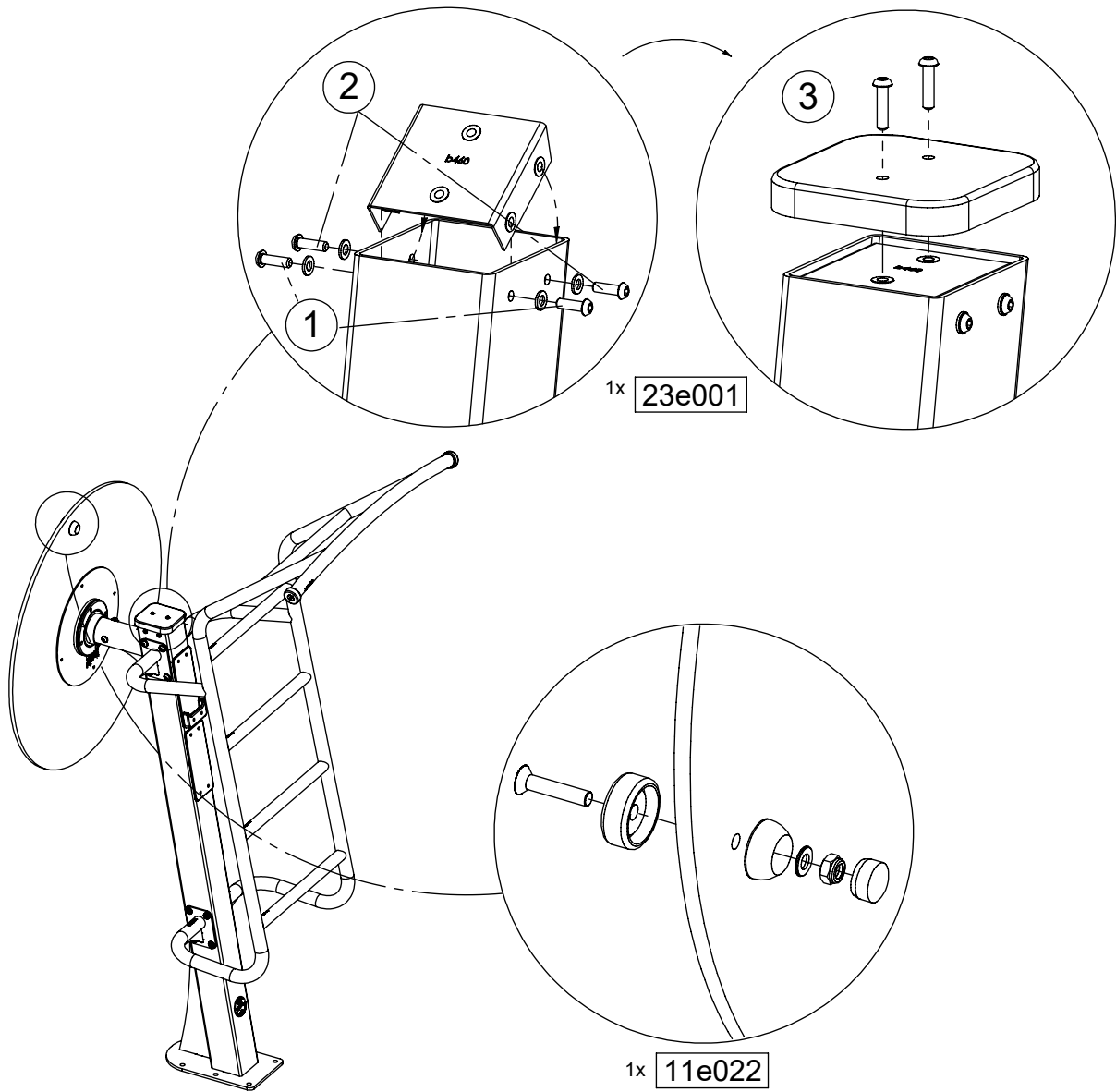


1x 11e021

[cm]




vinci
play



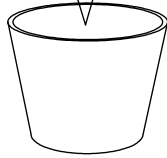
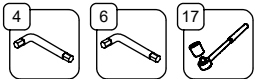
1x 23e001

1x 11e022

Part No:
000000-
00000



000000-00000

vinci
play

[cm]