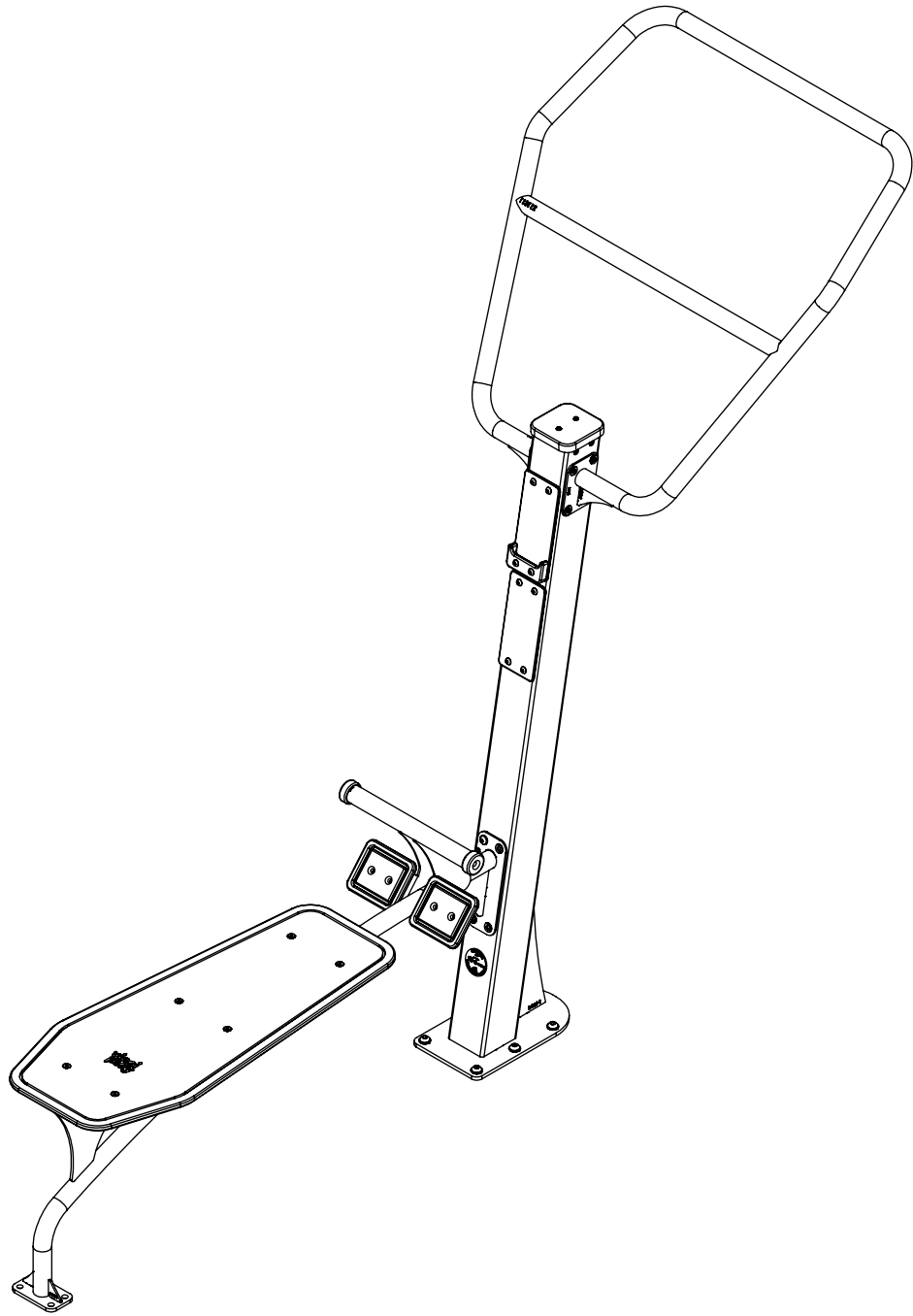
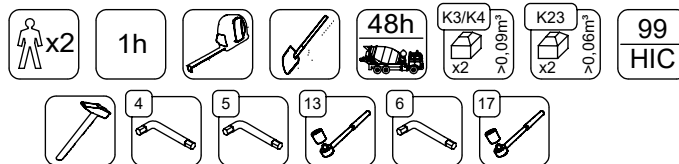


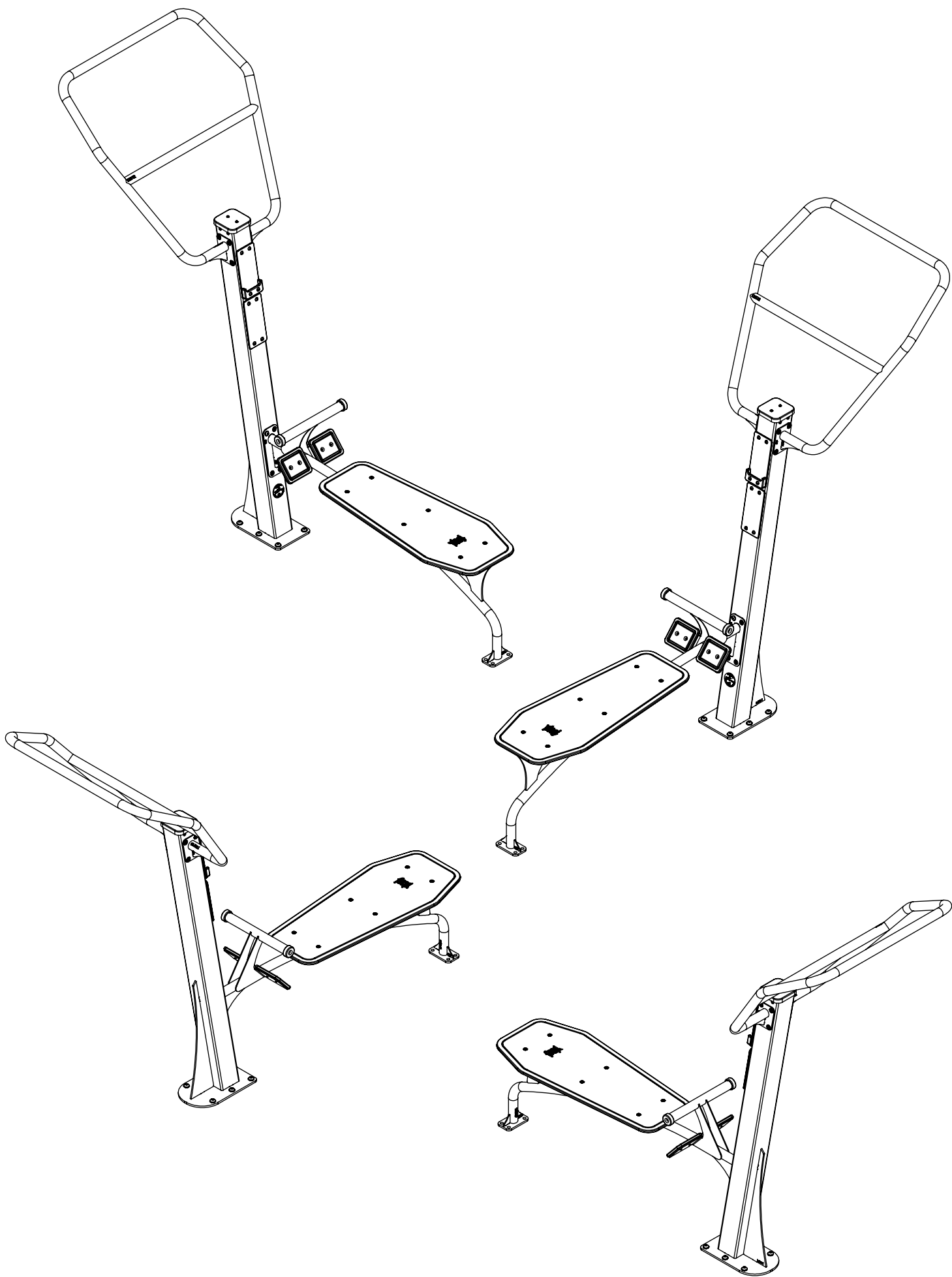
# 1131



v012  
15.05.2023  
K. M.  
[cm]

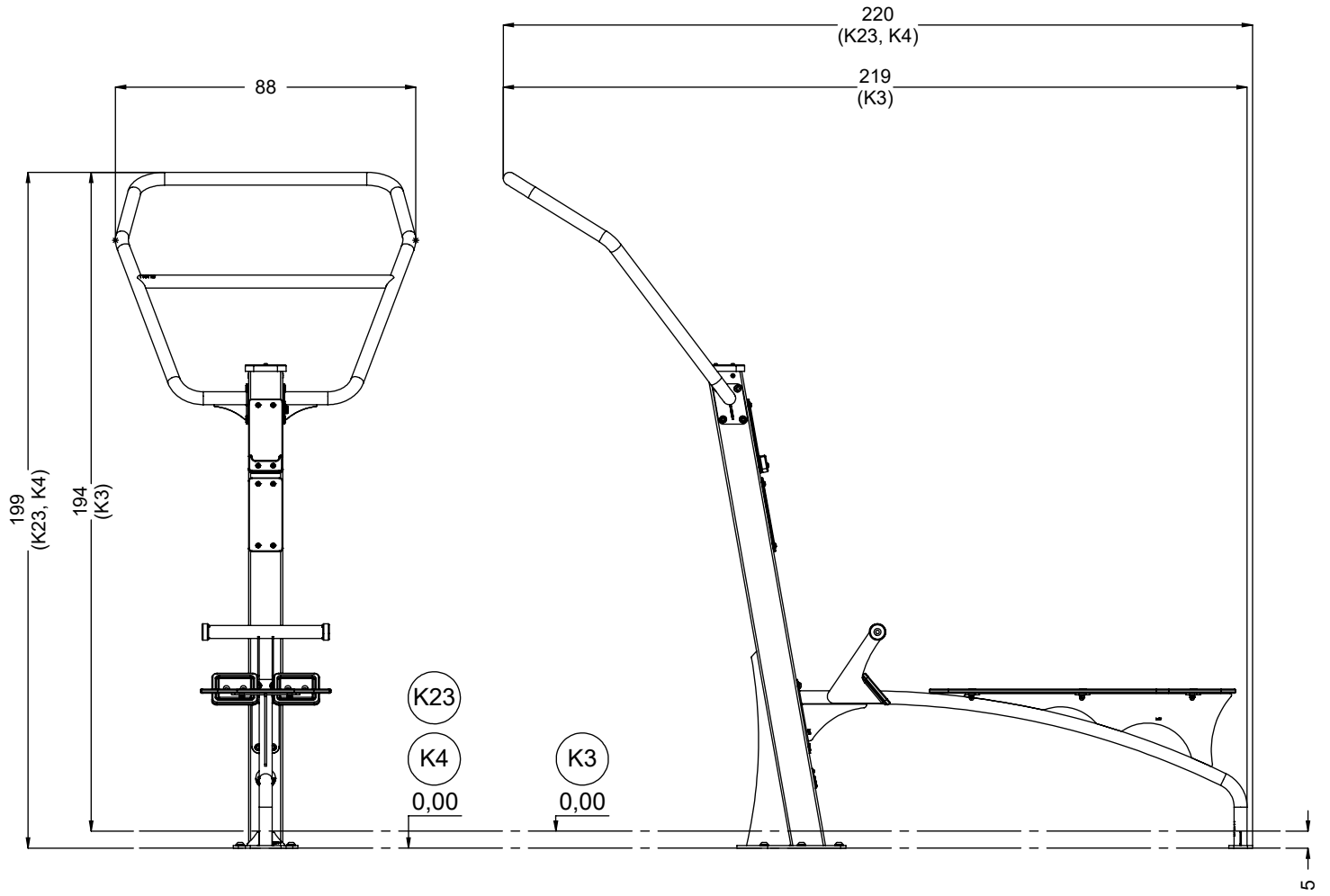


vinci  
play



[cm]

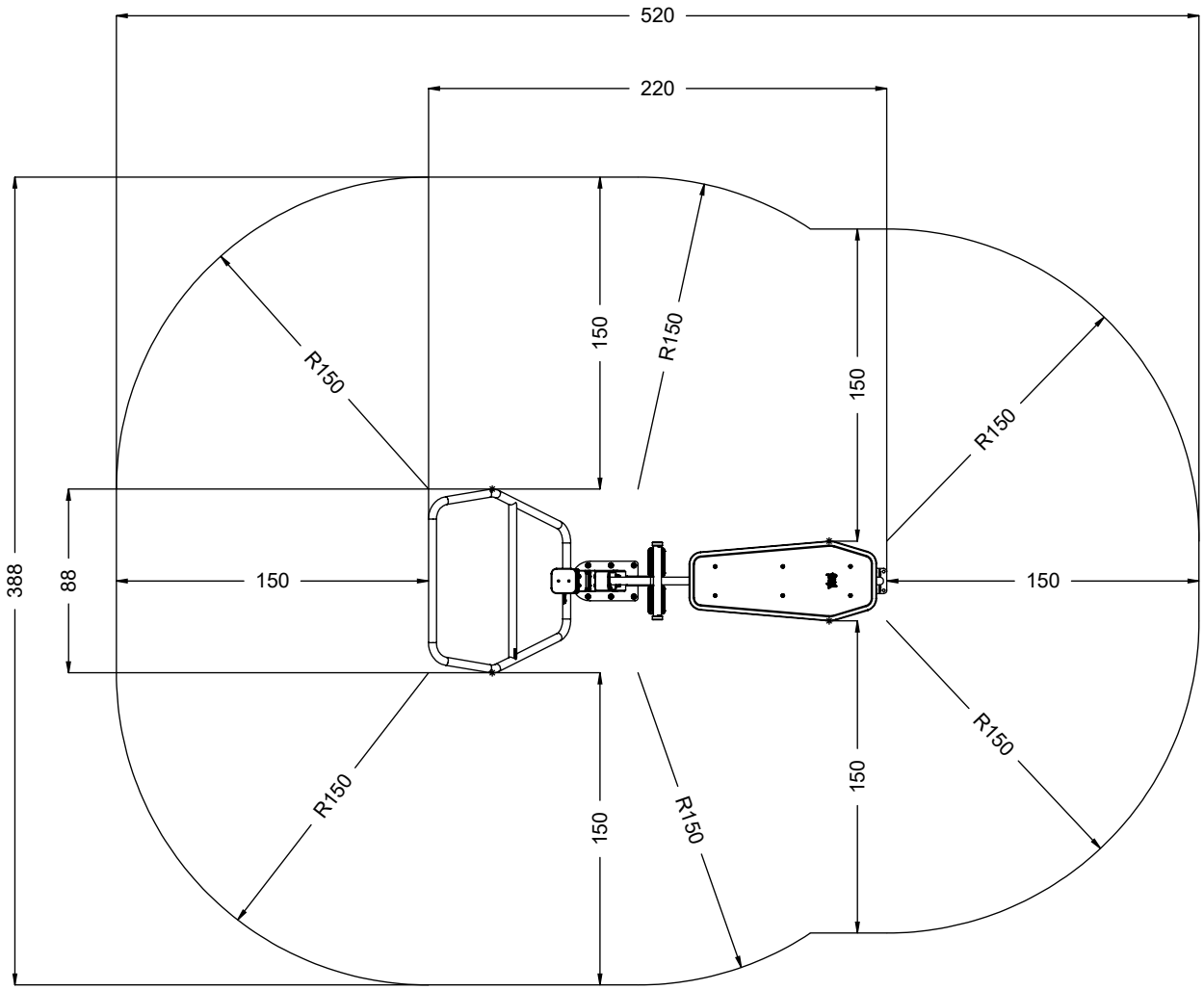
vinci  
play



[cm]



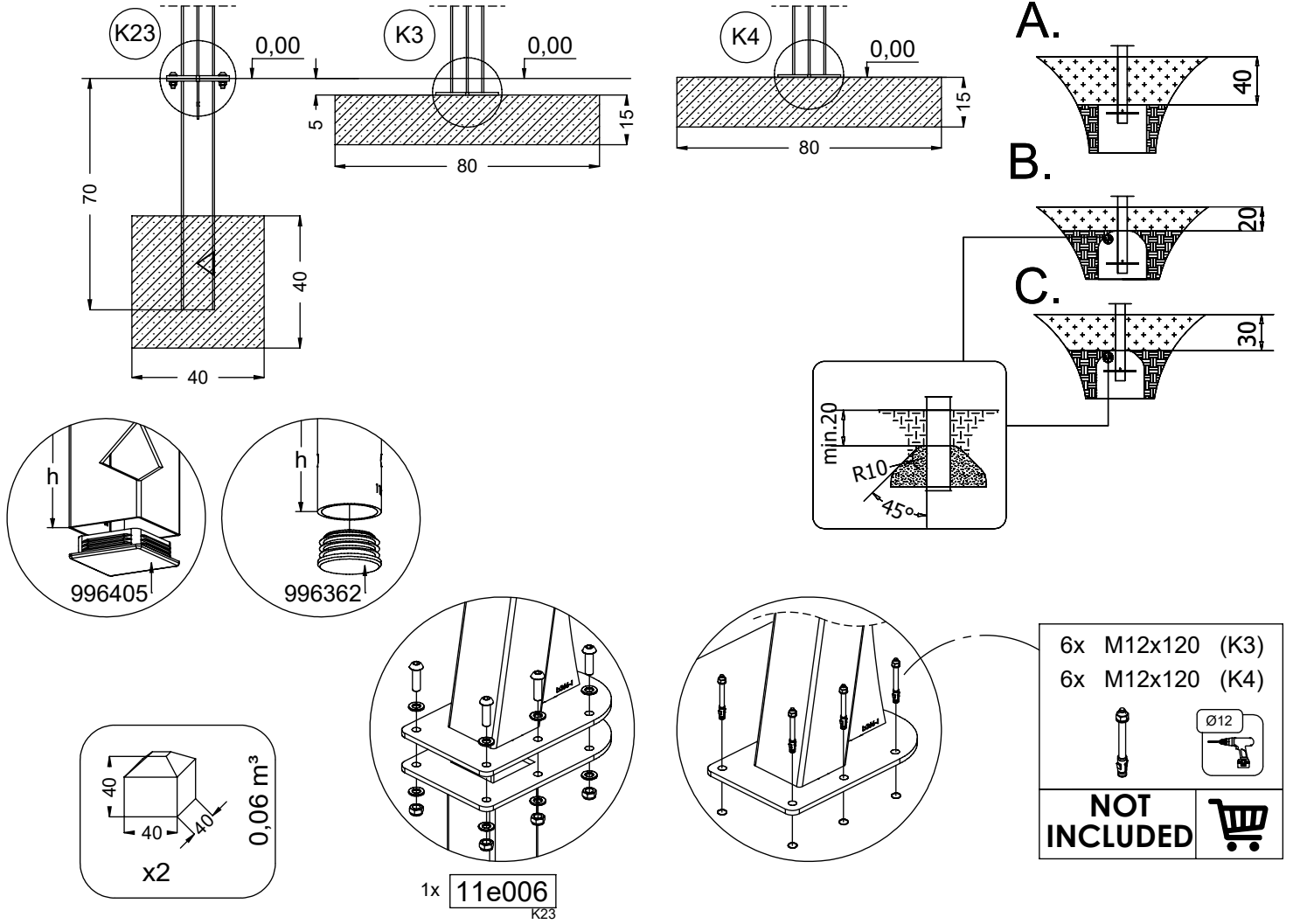
vinci  
play



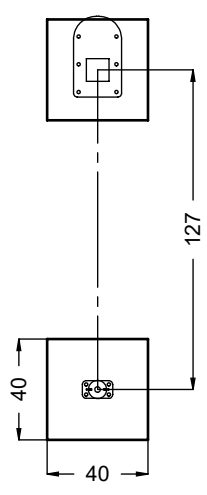
[cm]



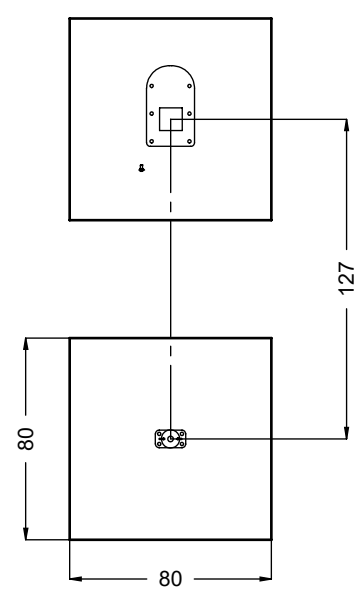
vinci  
play



K23



K3 K4



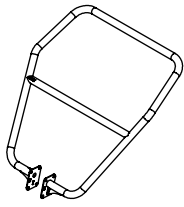
[cm]

x2   
 1h   
   
   
 48h   
 K3/K4 x2 >0,09m³   
 K23 x2 >0,06m³

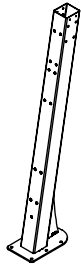
vinci play



111138  
x2



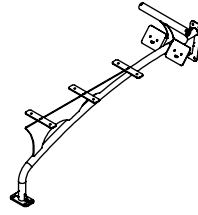
112114  
112160 (inox)  
x1



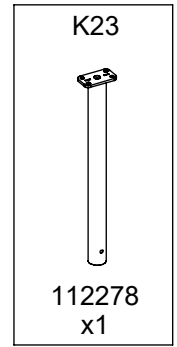
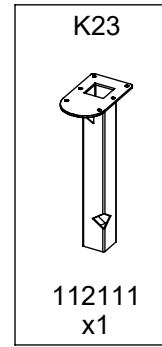
112203  
112204 (inox)  
x1



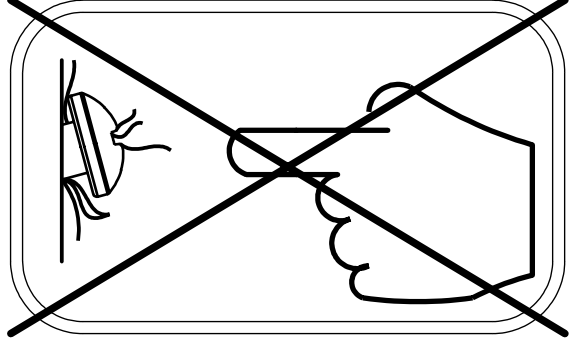
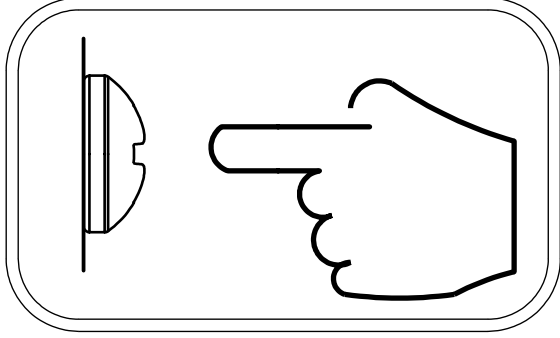
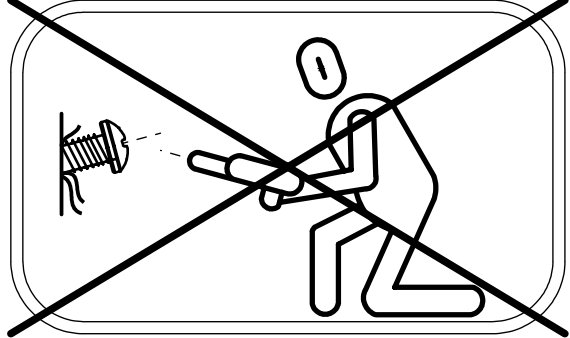
111107  
x1

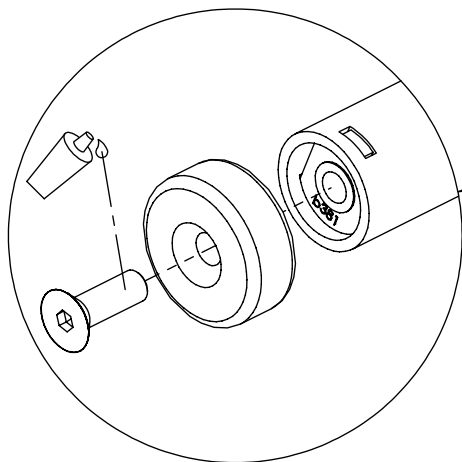


112166  
112168 (inox)  
x1

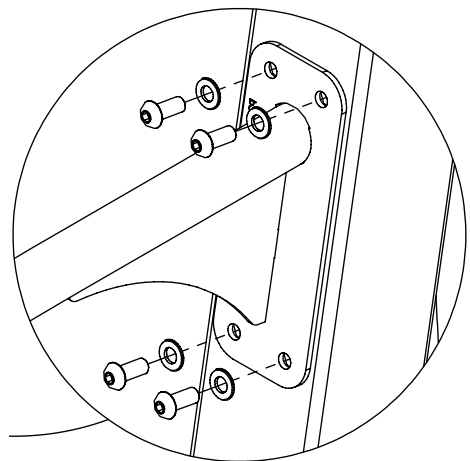
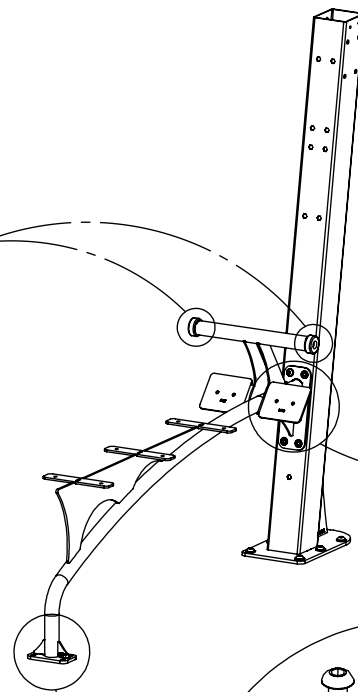


ST/INOX	
1x	11e006 (K23)
1x	11e019 (K23)
1x	996362 (K23)
1x	996405 (K23)
1x	23e001
1x	11e002
1x	11e003
1x	11e004
1x	11e007
1x	11e008
1x	11e009
1x	11e012
1x	116101
1x	116103
1x	V003

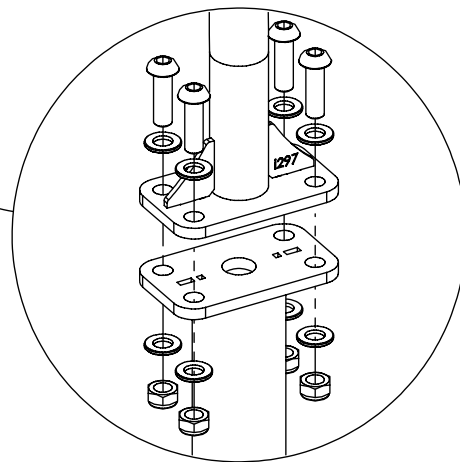




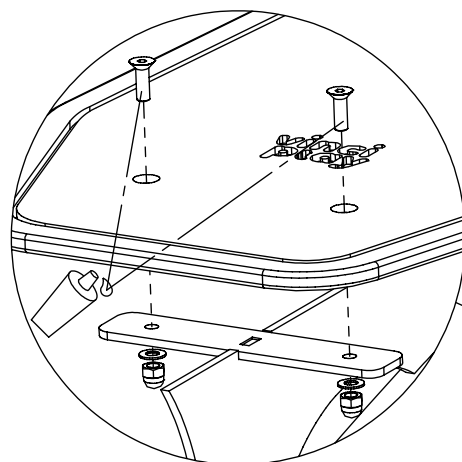
1x 11e012



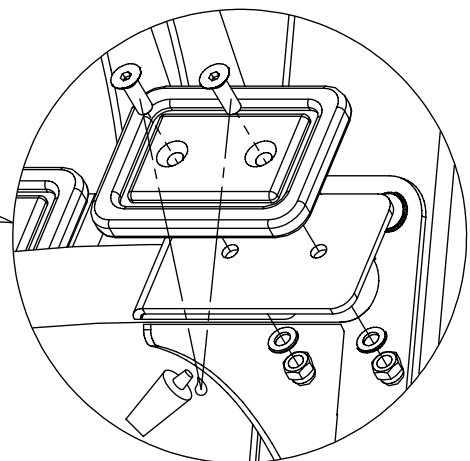
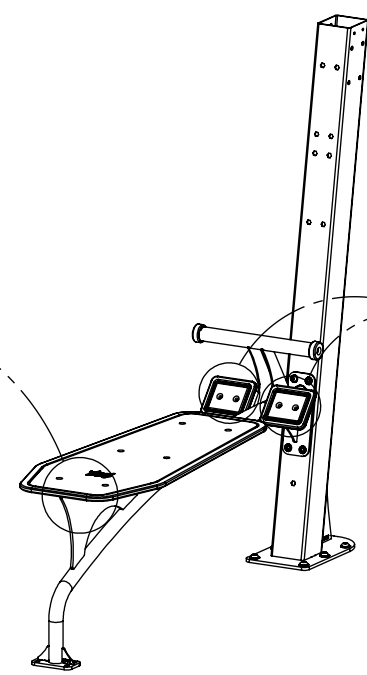
1x 11e008



1x 11e019  
K23



1x 11e007



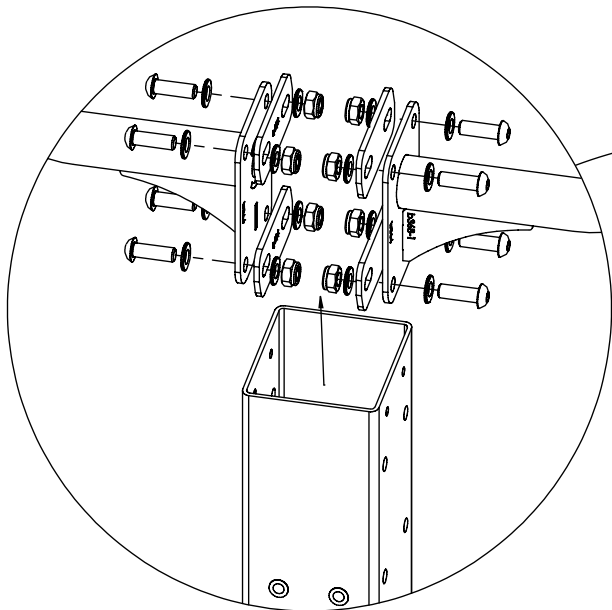
1x 11e009



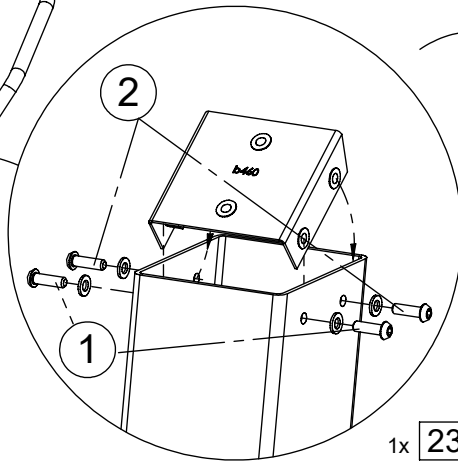
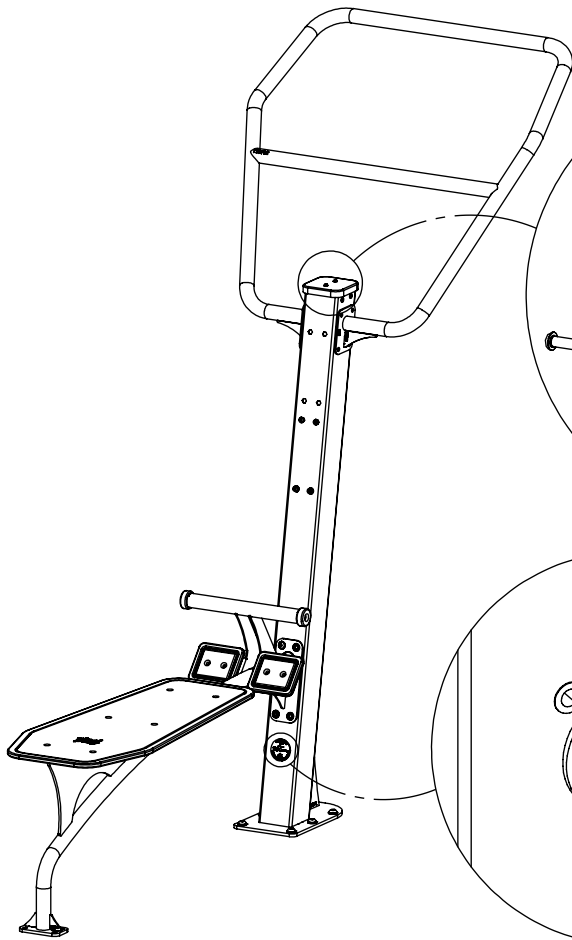
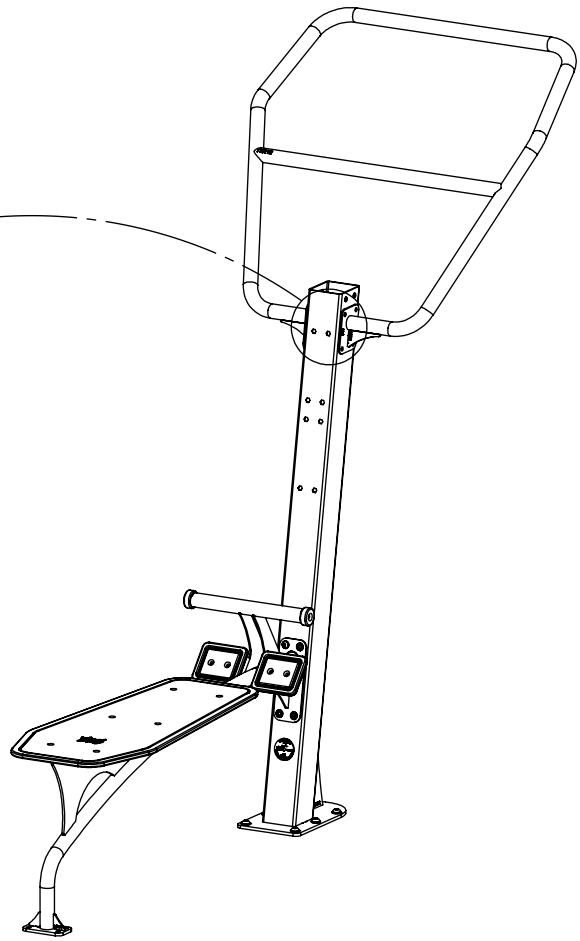
[cm]

vinci  
play

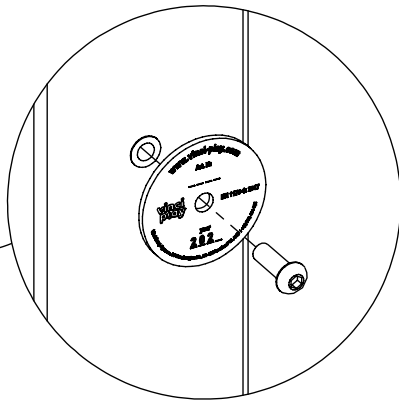
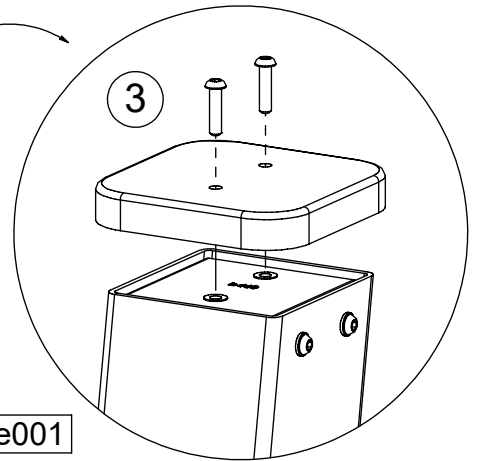




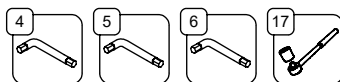
2x 11e004



1x 23e001

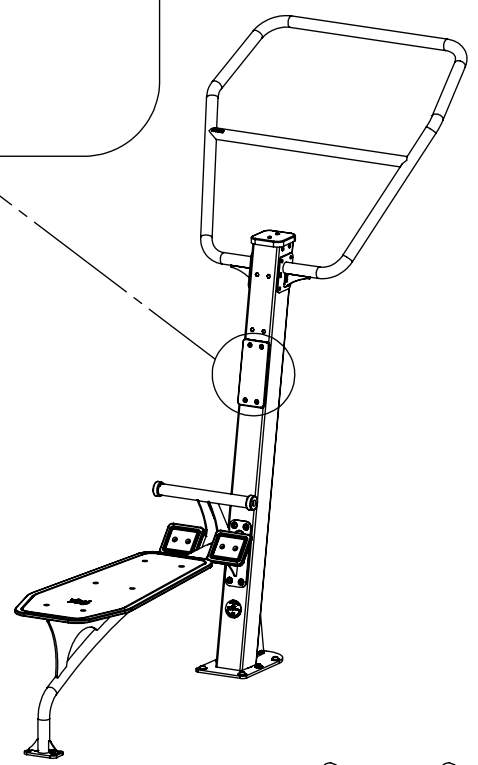
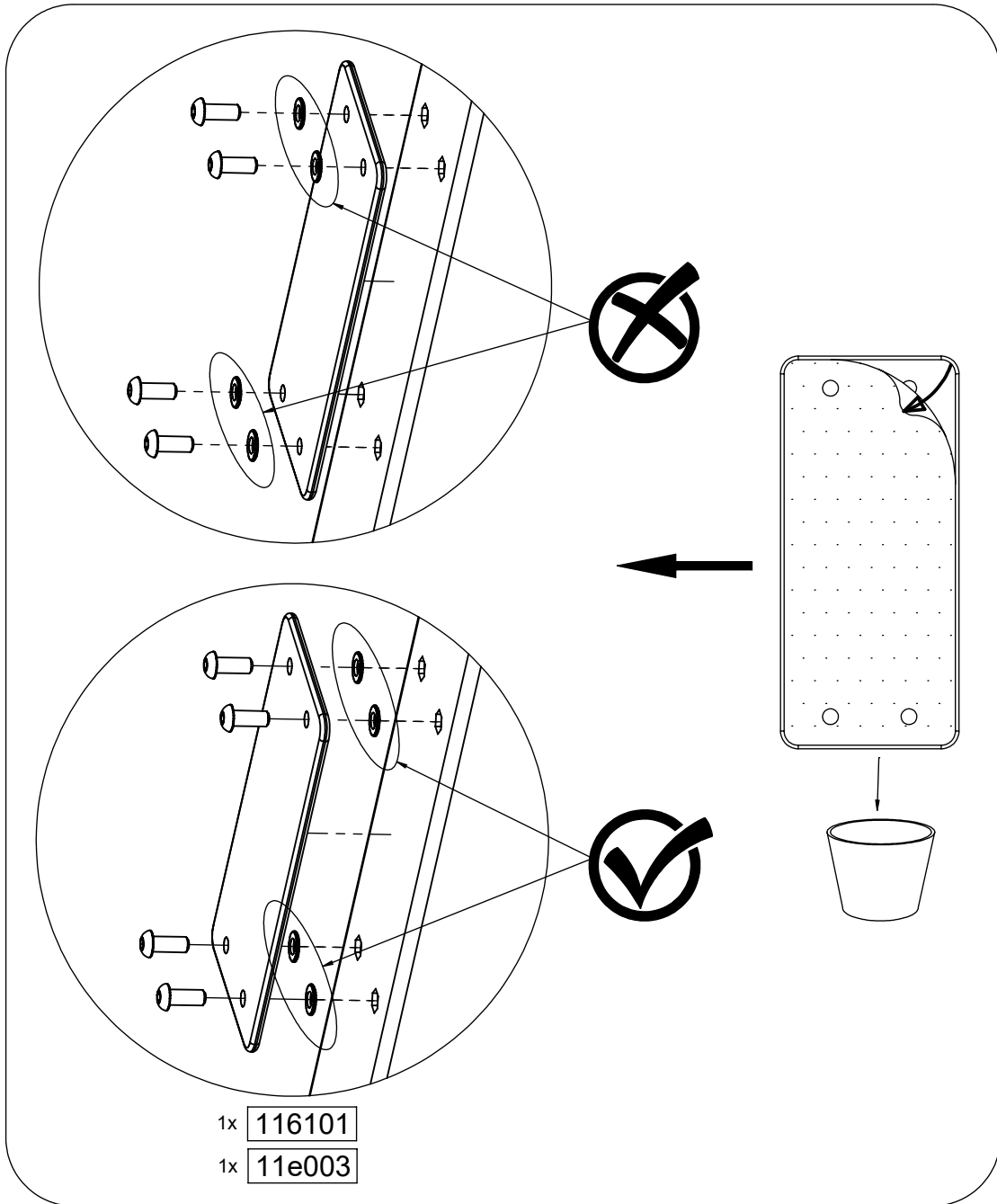


1x V003

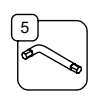


[cm]

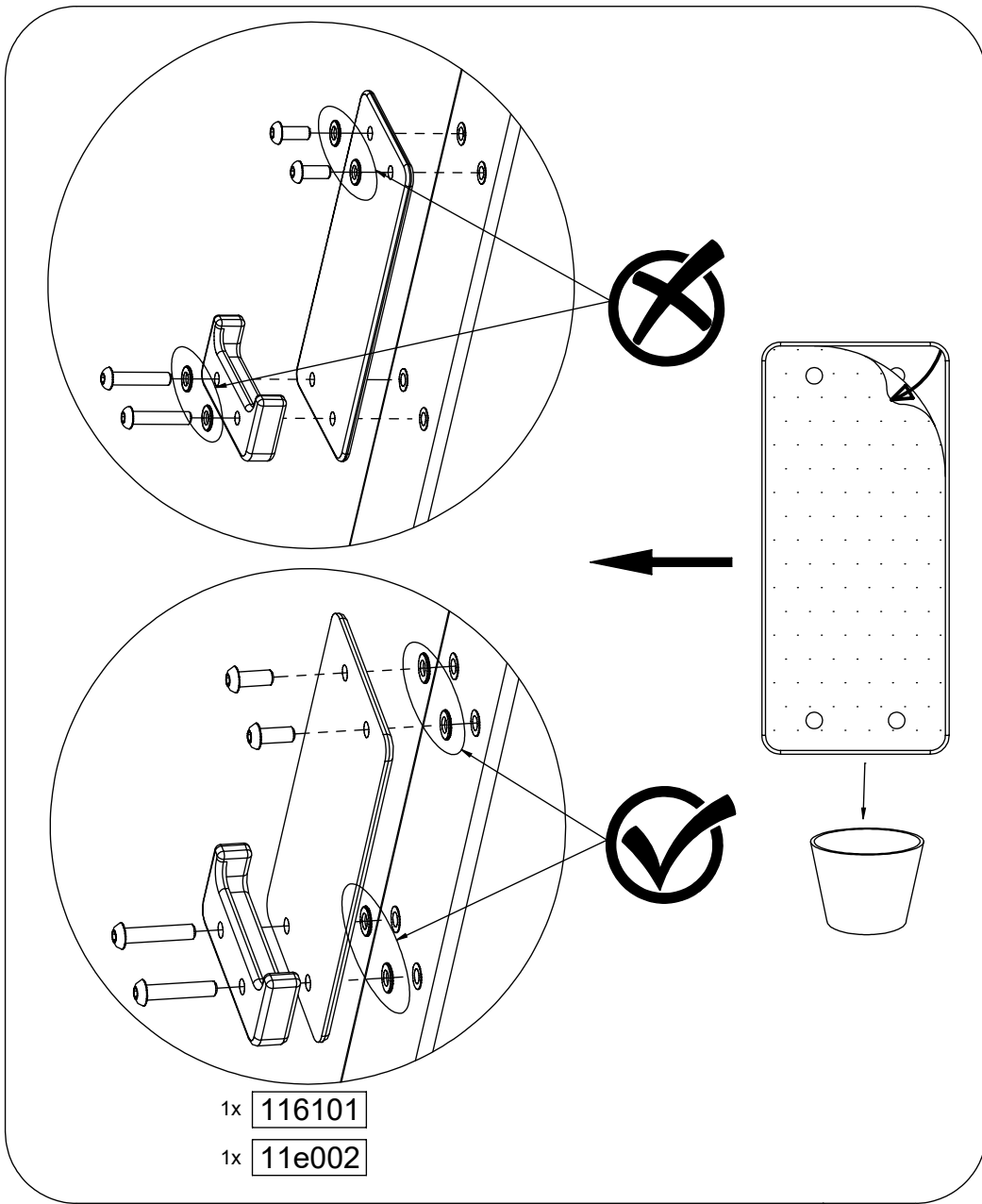
vinci  
play



[cm]

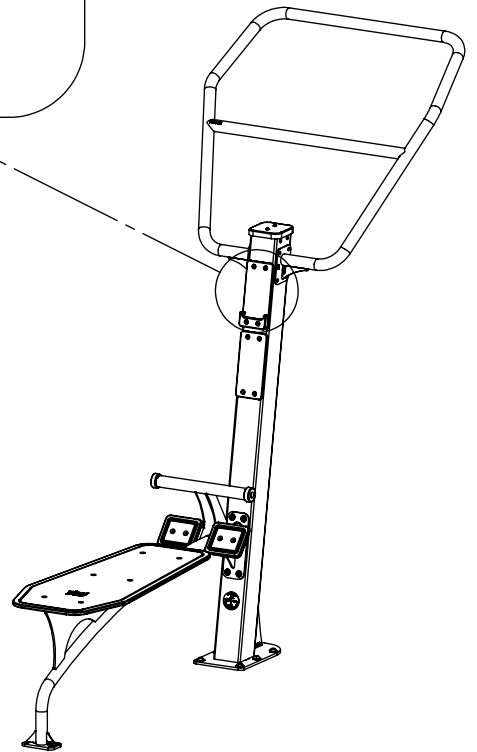


vinci  
play



**Part No:**  
**000000-**  
**00000**

000000-00000



[cm]



vinci  
 play