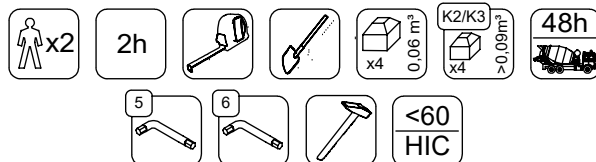
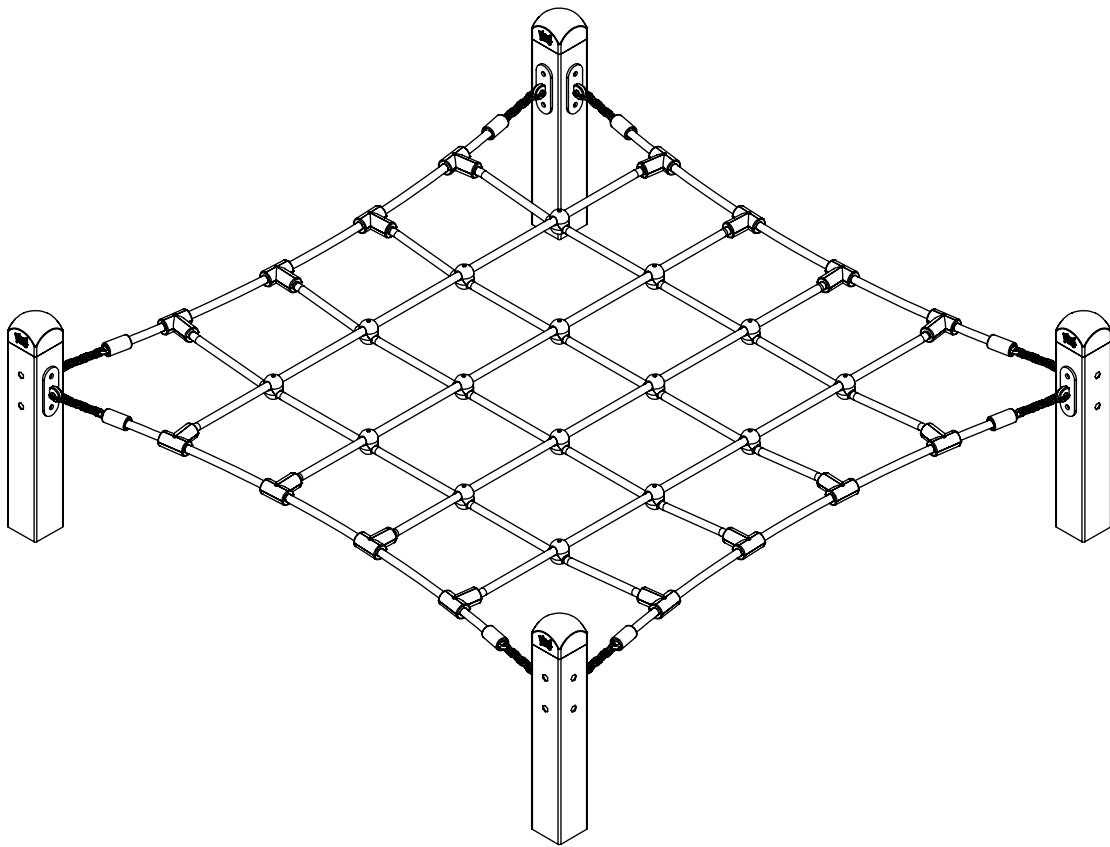
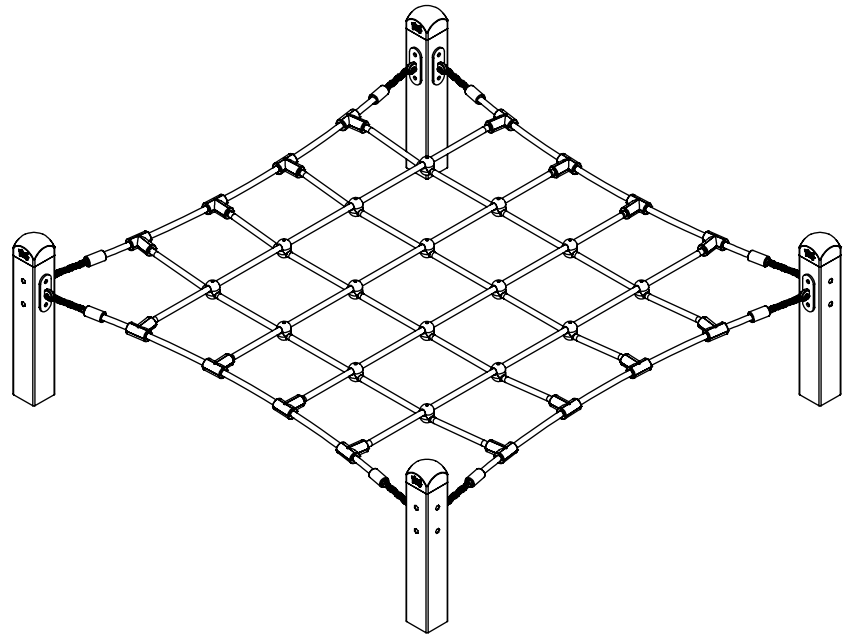
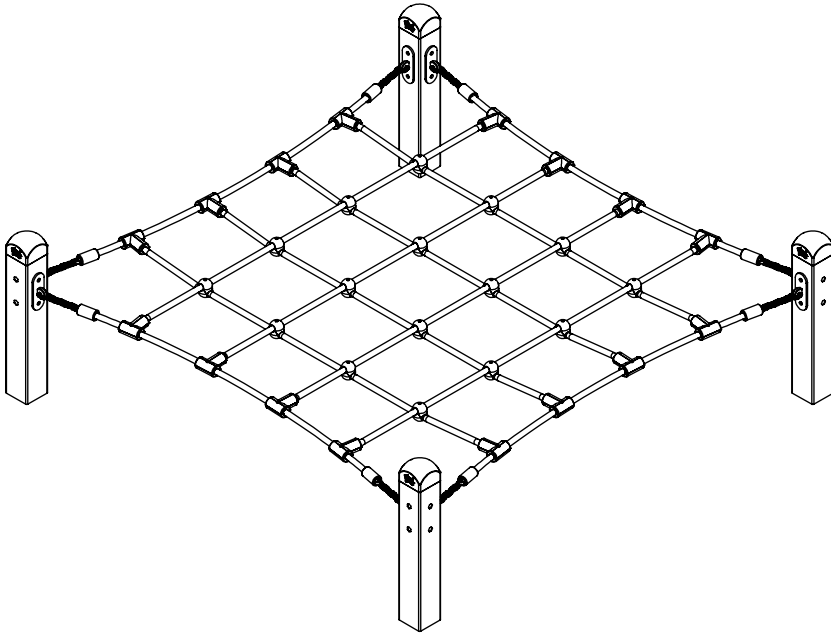


# 0498



v010  
29.11.2023  
D. P.  
[cm]

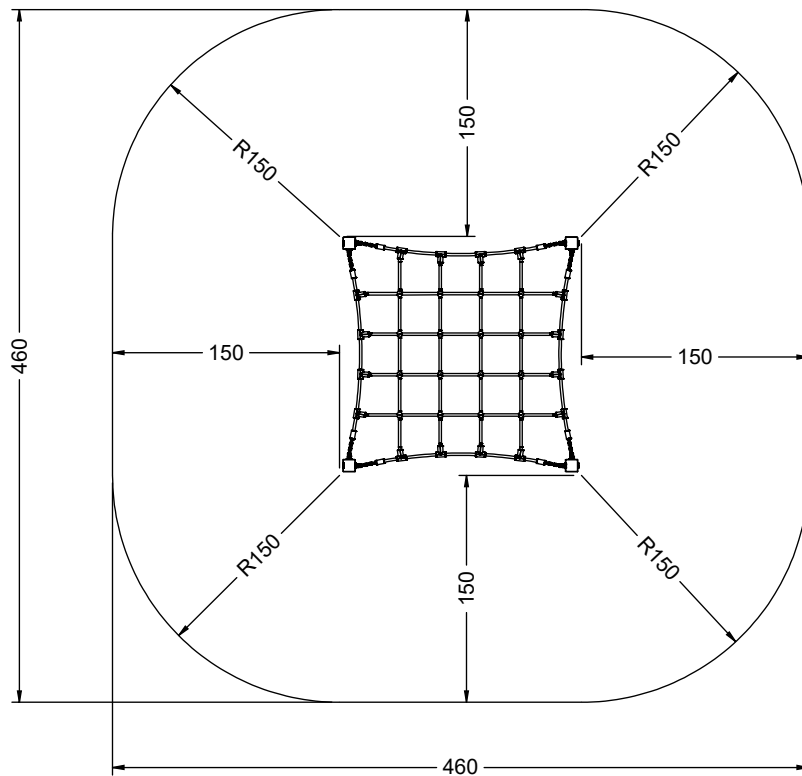
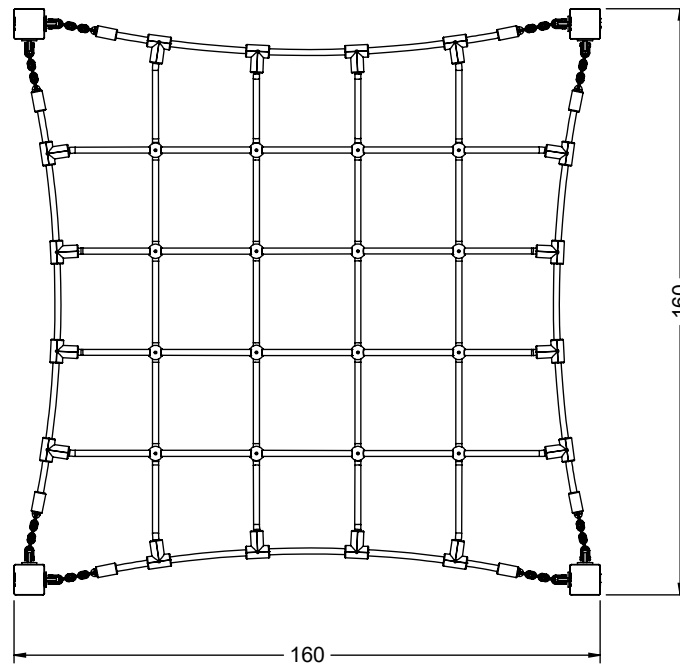
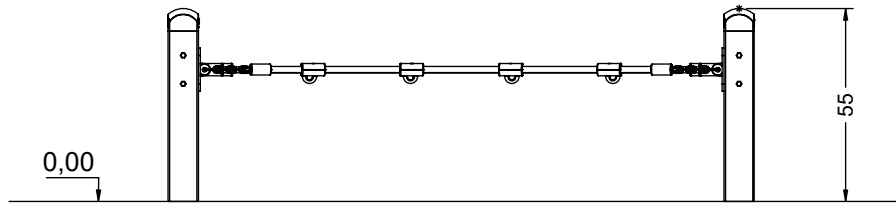
vinci  
play



[cm]



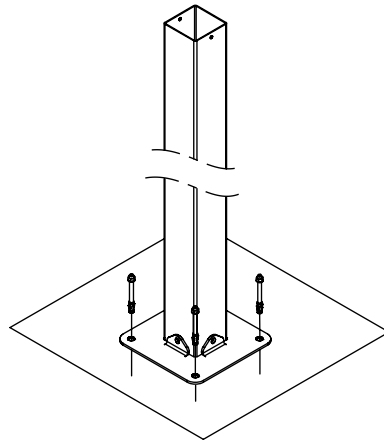
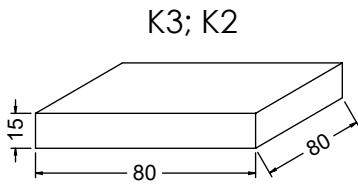
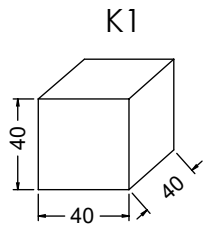
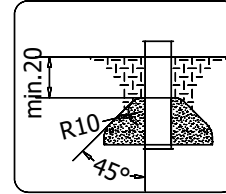
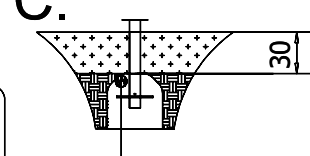
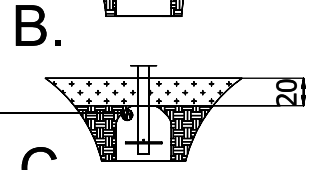
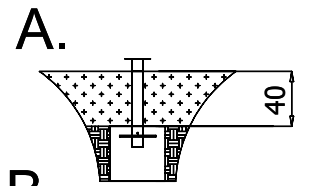
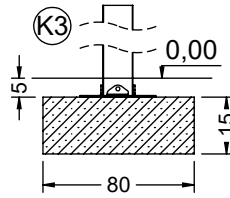
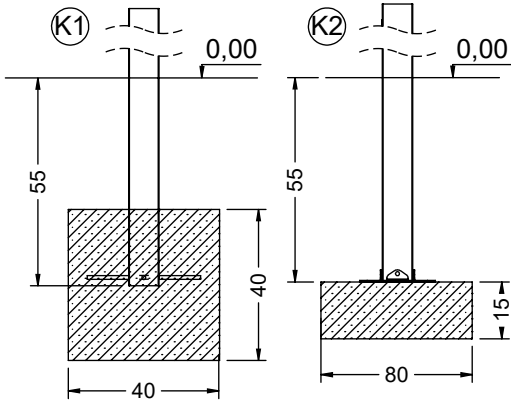
vinci  
play



[cm]



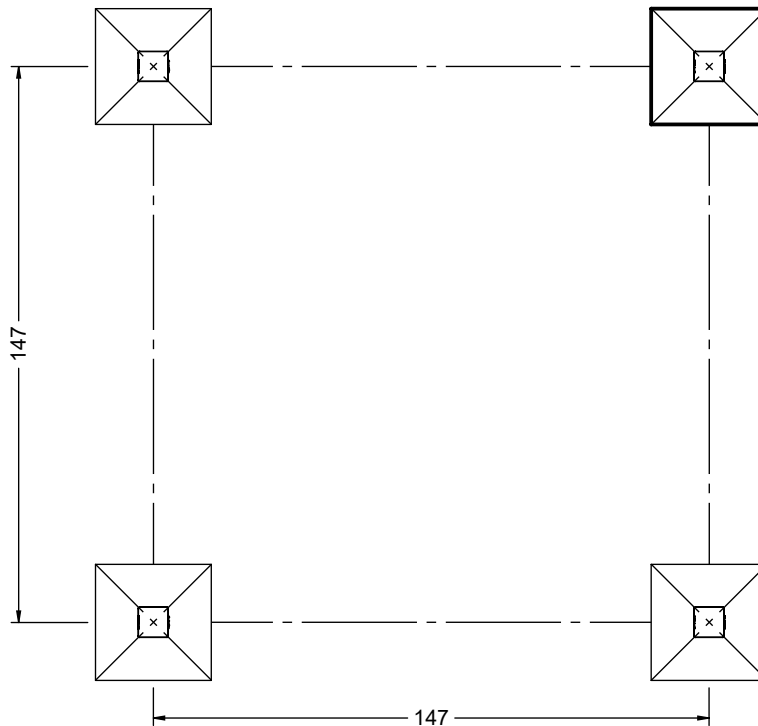
vinci  
play



16x M10x120 (K2)  
16x M10x120 (K3)

Ø10

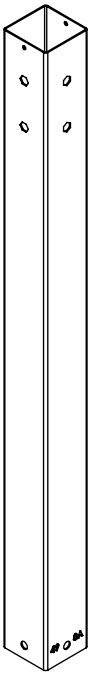
**NOT INCLUDED**



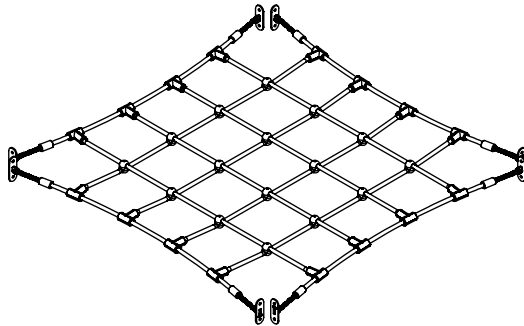
[cm]

2h 0,06 m<sup>3</sup> >0,09m<sup>3</sup>

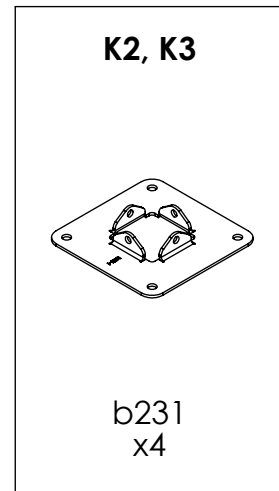
vinci play



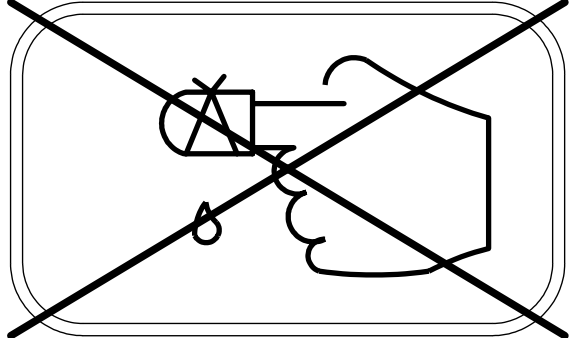
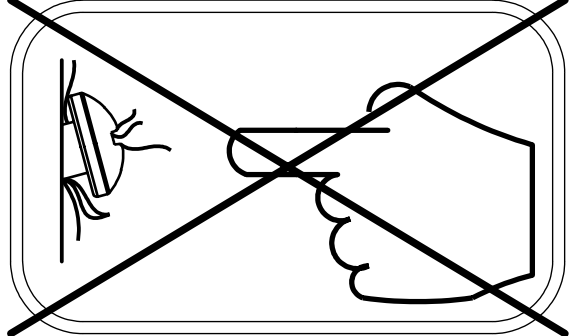
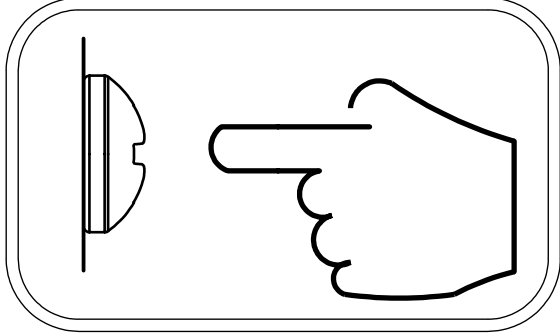
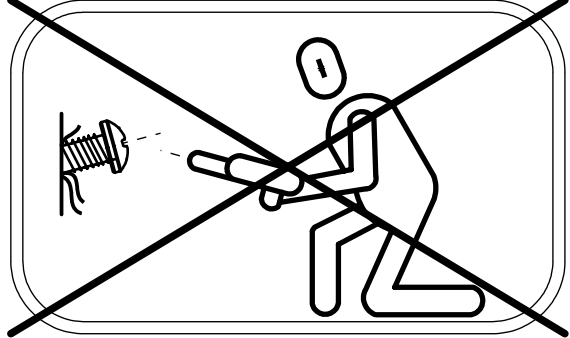
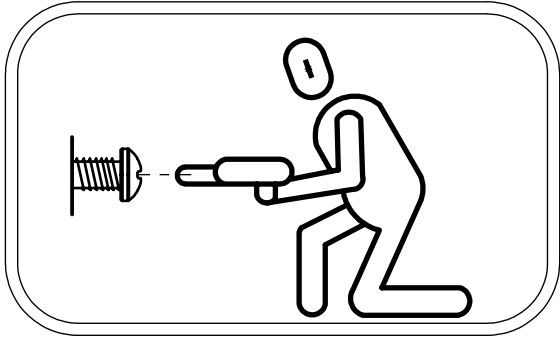
0498-A  
x4



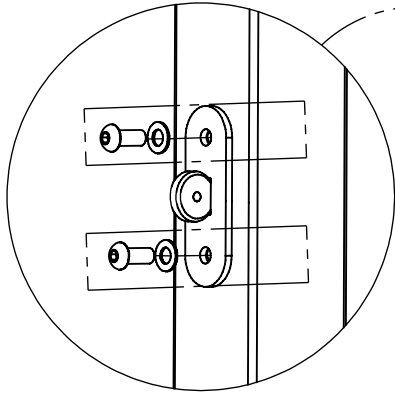
045101  
x1



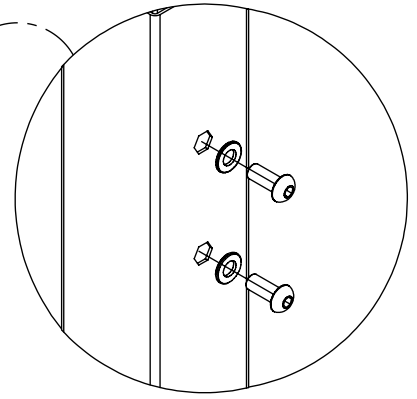
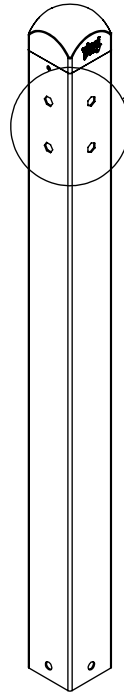
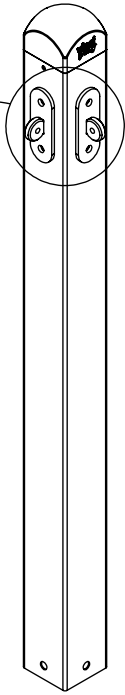
	ST
4x	E37 (K2,K3)
8x	E1
4x	WD50
1x	V002



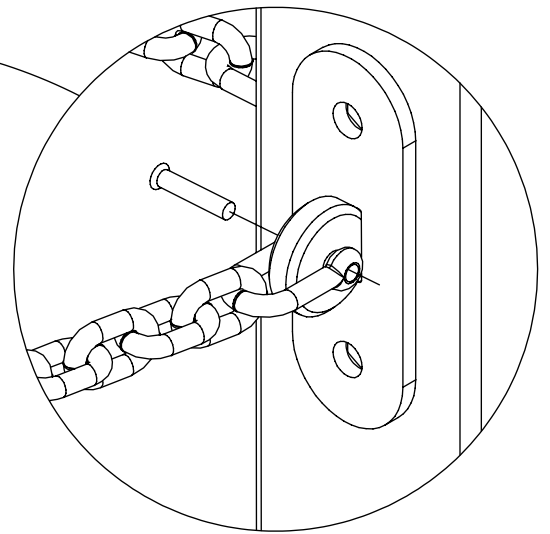
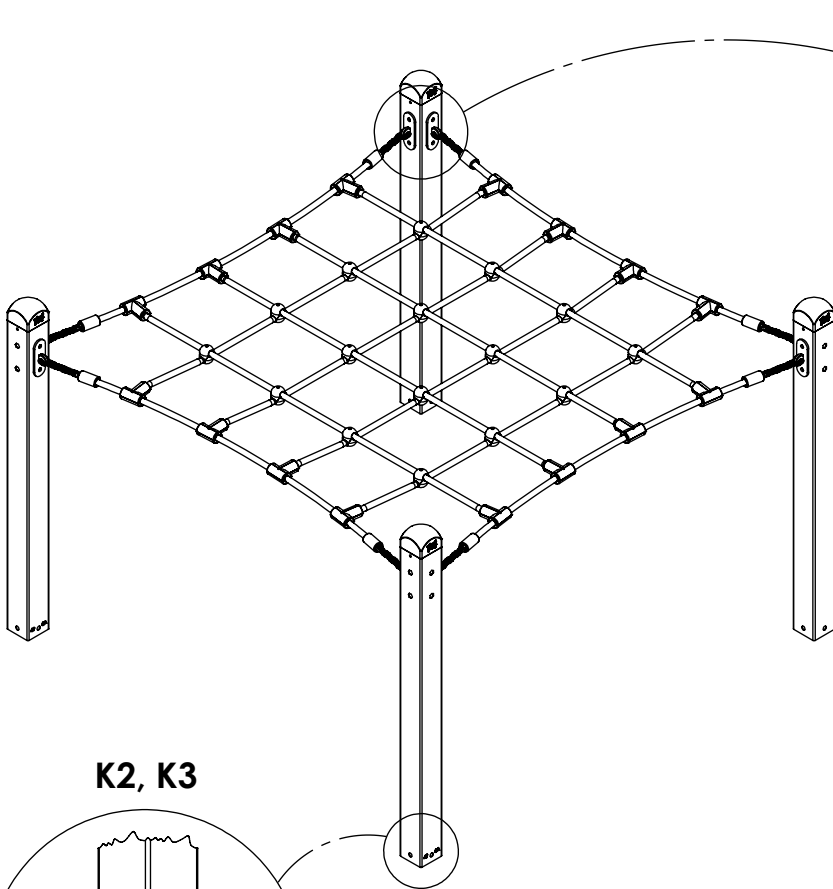
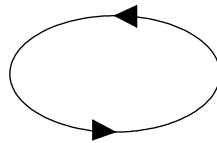
**4x**



2x **WD50**  
2x **E1**

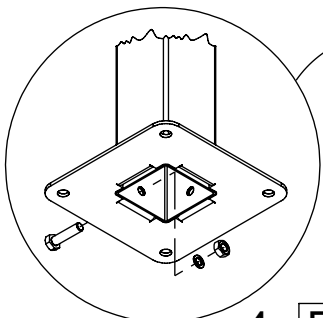


2x **E1**



**WD50**

**K2, K3**

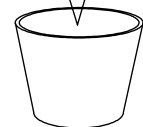
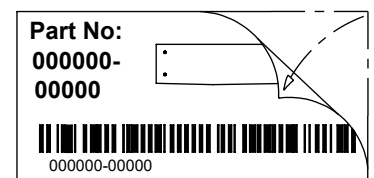
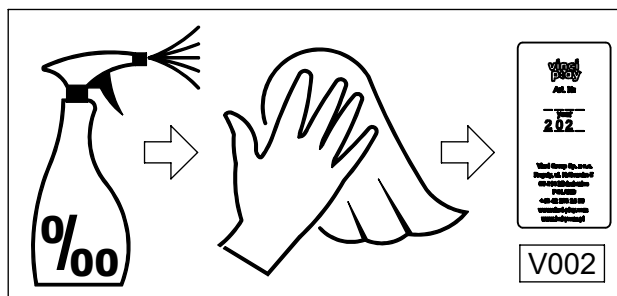
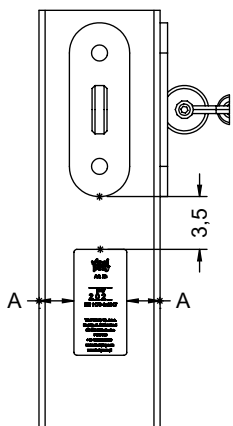
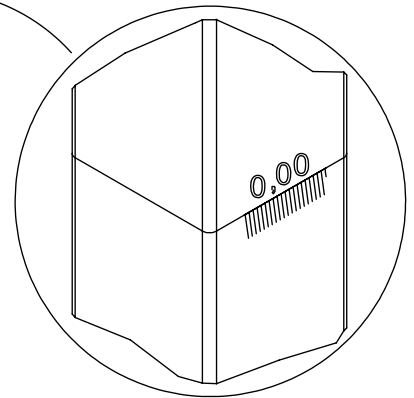
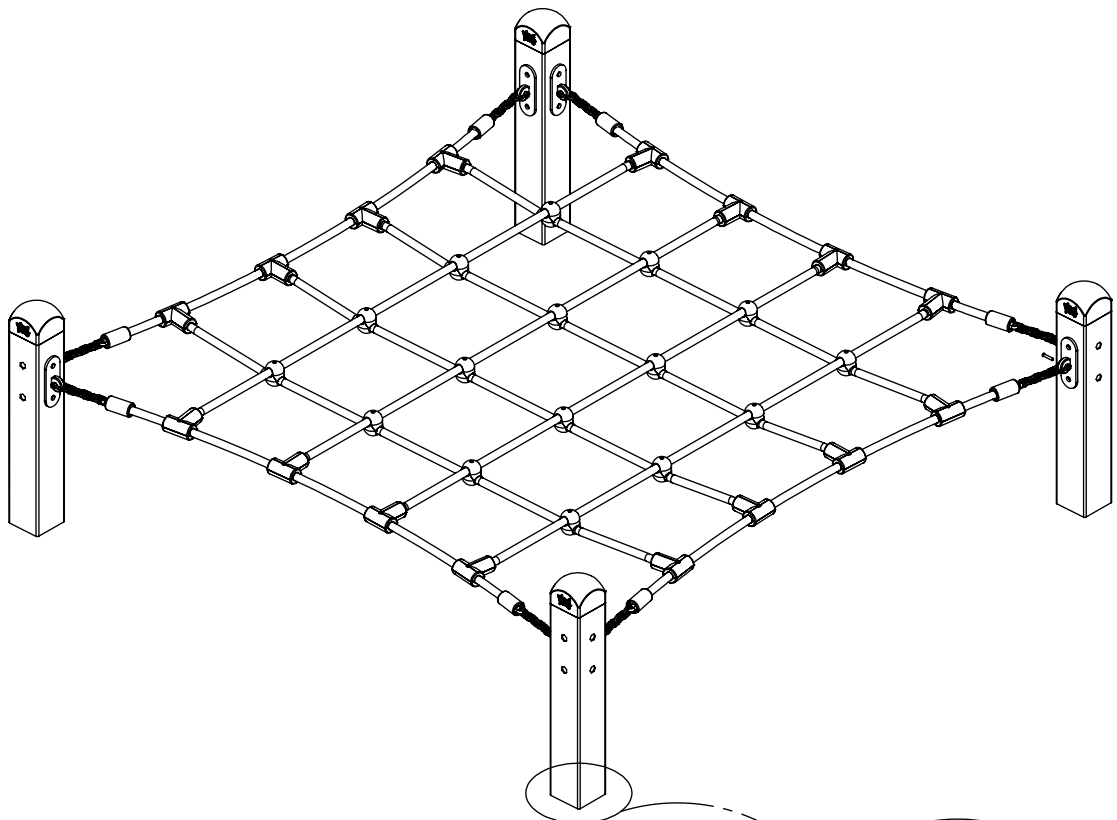


4x **E37**

[cm]



vinci  
play



[cm]



vinci  
play