

ROBINIA RB1309



3+



13 kids



37,3 m²



Material specification

- Construction made of Robinia - very durable acacia wood with a diameter of ~ 18 cm without sharp edges, resistant to weather conditions,
- Platforms made of Robinia - very durable acacia wood, resistant to weather conditions,
- Transparent polycarbonate panels resistant to weather conditions,
- Side panels made of Robinia - very durable acacia wood without sharp edges, resistant to weather conditions
- Slides made of stainless steel,
- Colorful elements made of durable HPL plate, resistant to weather conditions,
- Telescope made of stainless steel and durable HDPE plate, resistant to weather conditions,
- "Telephone" - construction - stainless steel pipe, flowers made of HPL plates; plastic underground installation,
- Double wall tube passage made of polypropylene,
- Calibrated stainless steel chains, preventing fingers entrapment,
- Stainless steel handrails,
- Handles made of steel rope in polypropylene braid,
- Screws covered with plastic caps and/or stainless steel screws,



Intellectual development



manipulation



thinking



Physical development



balance



hiding



sliding



observation



community



crawling





1
number of towers



1
number of slides



3
number of interactive elements

Product technical sheet

ROBINIA RB1309

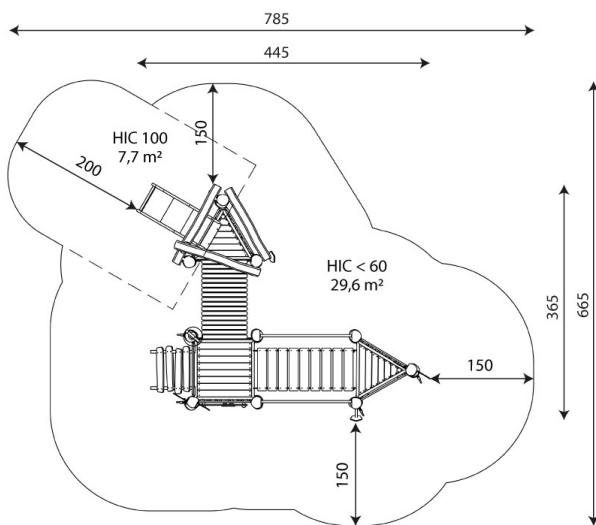
Product data

Length	445 cm
Width	365 cm
Total height	250 cm
Age group	3+ years
Number of users	13 kids
Safety zone	37,3 m ²
Free fall height	< 60 cm
The height of the platforms	29, 59 cm
slide platform height	59 cm
In accordance with norm EN	1176-1:2017
Weight of the heaviest part	74 kg
Dimensions of the largest part	320x18x18 cm
Availability of spare parts	YES
Installation time	7 h

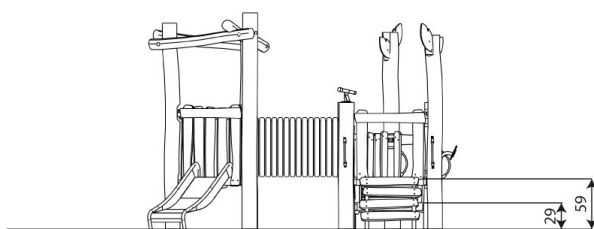
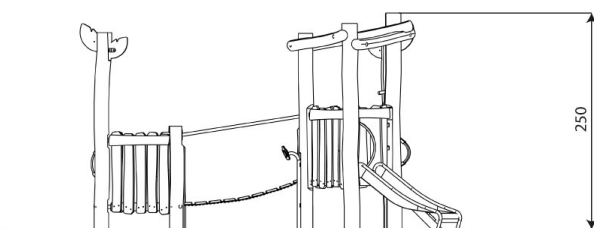
Data is subject to change without prior notice.

Additional information

- equipment intended for public playgrounds;
- equipment has a certificate issued by an accredited entity or a declaration of conformity;
- no sharp edges or chinks that would pose a danger of jimmie the head, fingers or any other body parts;
- anchoring on flat surface, 80/70/60 cm deep;
- slide should not be installed southwards;
- render is for reference only, the actual appearance of the equipment and its color may vary;



37,3 m²



Guarantee

30 30 year guarantee - Structural strength of steel and stainless steel components

15 15 year guarantee - Structural failure of steel and stainless steel, for dynamic equipment

10 10 year guarantee - Structural failure of high density polyethylene and high pressure laminates components

5 5 year guarantee - Corrosion of stainless steel and hot dip galvanized and powder coated components; against bark beetles and rot in case of wooden structural elements

Detailed information in the guarantee card



Surfaces according to EN 1176-1:2017

	Description (mm)	Layer thickness (cm)	Maximum fall heights (cm)
Turf/ top layer of soil (A,B,C)	-	-	≤100
bark (A,C)	Particle size from 20 to 80	30	≤200
		40	≤300
woodchips (A,C)	Particle size from 5 to 30	30	≤200
		40	≤300
sand or gravel (A,C)	Particle size from 0,25 to 8	30	≤200
		40	≤300
synthetic attested (A,B,C)	Tested according to EN 1177		100

Product technical sheet

ROBINIA RB1309

Amount of safe surface corresponding with free fall height:

HIC <60 29,6 m²

HIC 100 7,7 m²

Data is subject to change without prior notice.

