



Product technical sheet

ROBINIA RB1229



2+



8 kids



21,9 m²

Material specification

- Construction made of Robinia - very durable acacia wood with a diameter of ~ 14 cm without sharp edges, resistant to weather conditions,
- Steps made of anti-slip and waterproof HPL plate,
- Colorful elements made of durable HPL plate, resistant to weather conditions,
- Steel ropes in polypropylene braid, connected with durable plastic elements, stainless steel or aluminum,
- Calibrated stainless steel chains, preventing fingers entrapment,
- Screws covered with plastic caps and/or stainless steel screws,



Physical development



balance

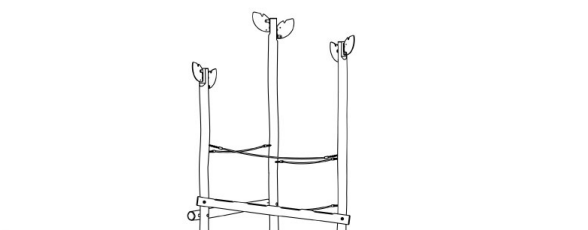
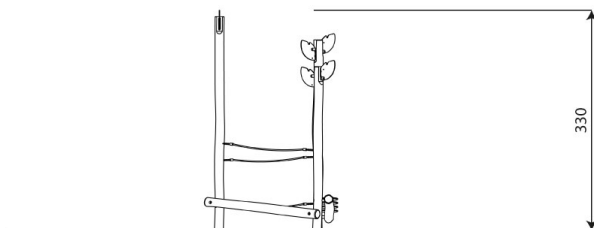
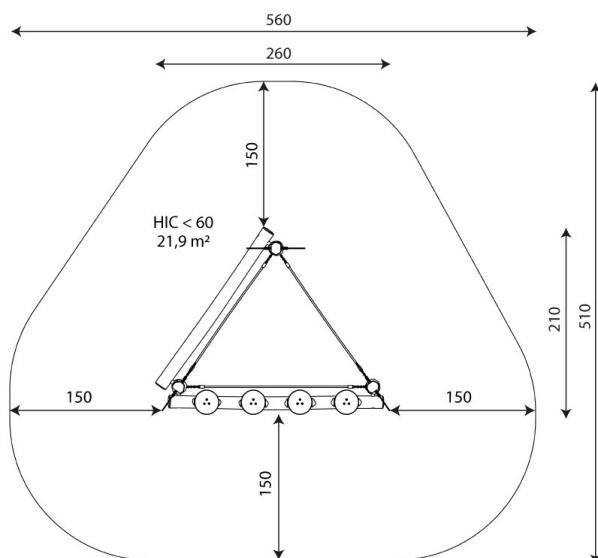


passage



community





Product technical sheet

ROBINIA RB1229

Product data

Length	260 cm
Width	210 cm
Total height	330 cm
Age group	2+ years
Number of users	8 kids
Safety zone	21,9 m2
Free fall height	< 60 cm
In accordance with norm EN	1176-1:2017
Weight of the heaviest part	59 kg
Dimensions of the largest part	405x14x14 cm
Availability of spare parts	YES
Installation time	2 h

Data is subject to change without prior notice.

Additional information

- equipment intended for public playgrounds;
- equipment has a certificate issued by an accredited entity or a declaration of conformity;
- no sharp edges or chinks that would pose a danger of jimmie the head, fingers or any other body parts;
- anchoring on flat surface, 80/70 cm deep;
- render is for reference only, the actual appearance of the equipment and its color may vary;

Guarantee

30 30 year guarantee - Structural strength of steel and stainless steel components

15 15 year guarantee - Structural failure of steel and stainless steel, for dynamic equipment

10 10 year guarantee - Structural failure of high density polyethylene and high pressure laminates components

5 5 year guarantee - Corrosion of stainless steel and hot dip galvanized and powder coated components; against bark beetles and rot in case of wooden structural elements

Detailed information in the guarantee card



Surfaces according to EN 1176-1:2017

	Description (mm)	Layer thickness (cm)	Maximum fall heights (cm)
Turf/ top layer of soil (A,B,C)	-	-	≤100
bark (A,C)	Particle size from 20 to 80	30	≤200
		40	≤300
woodchips (A,C)	Particle size from 5 to 30	30	≤200
		40	≤300
sand or gravel (A,C)	Particle size from 0,25 to 8	30	≤200
		40	≤300
synthetic attested (A,B,C)	Tested according to EN 1177		< 60

Product technical sheet

ROBINIA RB1229

Amount of safe surface corresponding with free fall height:

HIC <60 21,6 m²

Data is subject to change without prior notice.

