



Product technical sheet

SPACE 3403



3 - 14 years



19 kids



32,4 m²



Material specification

- Powder galvanized and powder coated or stainless steel construction of 80 x 80 mm profile,
- Platforms, climbing walls and steps made of durable anti-slip and waterproof HPL plate,
- Roofs and side panels made of durable HDPE plate, resistant to weather conditions,
- Slides made of stainless steel with durable HDPE side panels,
- Maze windows made of polycarbonate, balls made of synthetic material,
- Durable climbing stones made of polyester resin composite with mineral fillers,
- Steel ropes in polypropylene braid, connected with durable plastic elements, stainless steel or aluminum,
- Stainless steel bars,
- Stainless steel screws and/or screws covered with plastic caps,
- Safe end caps on top of the structure made of rubber or polypropylene,



Facilitating disability



easy access



integration



Intellectual development



manipulation



thinking



Physical development



sliding



climbing





1
number of slides



2
number of roofs



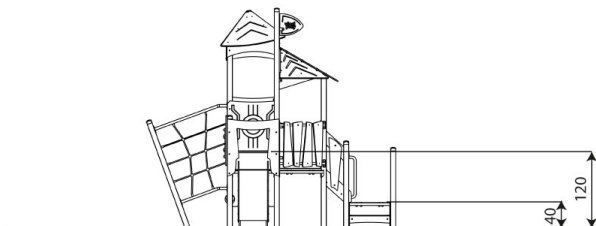
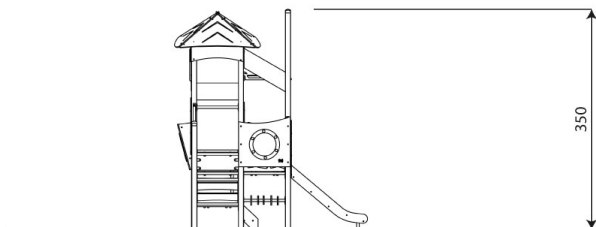
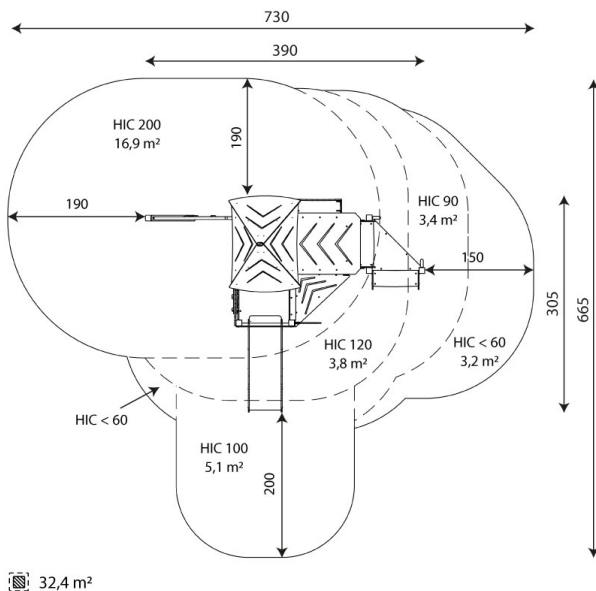
2
number of interactive elements



3
number of activity elements



stairs



Product technical sheet

SPACE 3403

Product data

Length	390 cm
Width	305 cm
Total height	350 cm
Age group	3 - 14 years
Number of users	19 kids
Safety zone	32,4 m ²
Free fall height	200 cm
The height of the platforms	40, 90, 120 cm
slide platform height	90 cm
In accordance with norm EN	1176-1:2017
Weight of the heaviest part	19 kg
Dimensions of the largest part	8x8x394 cm
Availability of spare parts	YES
Installation time	7 h
Color options	

Data is subject to change without prior notice.

Additional information

- equipment adapted for the disabled; intended for public playgrounds;
- equipment has a certificate issued by an accredited entity or a declaration of conformity;
- no sharp edges or chinks that would pose a danger of jimmie the head, fingers or any other body parts;
- anchoring on flat surface, 80/70/60 cm deep;
- slide should not be installed southwards;
- render is for reference only, the actual appearance of the equipment and its color may vary;

Guarantee

30

30 year guarantee - Structural strength of steel and stainless steel components

15

15 year guarantee - Structural failure of steel and stainless steel, for dynamic equipment

10

10 year guarantee - Structural failure of high density polyethylene and high pressure laminates components

5

5 year guarantee - Corrosion of stainless steel and hot dip galvanized and powder coated components; against bark beetles and rot in case of wooden structural elements

Detailed information in the guarantee card

Vinci Group Sp. z o.o.
Seminarnyja 9 Street
99-400 Łowicz

VAT: 534-250-14-46
PHONE: +48 42 203 24 99 ext. 26
M: +48 793 404 991



Surfaces according to EN 1176-1:2017

	Description (mm)	Layer thickness (cm)	Maximum fall heights (cm)
Turf/ top layer of soil (A,B,C)	-	-	≤100
bark (A,C)	Particle size from 20 to 80	30	≤200
		40	≤300
woodchips (A,C)	Particle size from 5 to 30	30	≤200
		40	≤300
sand or gravel (A,C)	Particle size from 0,25 to 8	30	≤200
		40	≤300
synthetic attested (A,B,C)	Tested according to EN 1177		200

Product technical sheet

SPACE 3403

Amount of safe surface corresponding with free fall height:

HIC <60	3,2 m ²
HIC 90	3,4 m ²
HIC 100	5,1 m ²
HIC 120	3,8 m ²
HIC 200	16,9 m ²

Data is subject to change without prior notice.

