



Product technical sheet

JUNGLE 3202



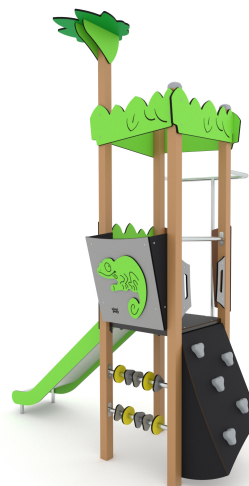
3 - 14 years



7 kids



21,4 m²



Material specification

- Powder galvanized and powder coated or stainless steel construction of 80 x 80 mm profile,
- Platforms and climbing walls made of durable anti-slip and waterproof HPL plate,
- Roofs and side panels made of durable HDPE plate, resistant to weather conditions,
- Slides made of stainless steel with durable HDPE side panels,
- Fireman's pole made of stainless steel,
- Moving elements made of durable HDPE plate, resistant to weather conditions,
- Durable climbing stones made of polyester resin composite with mineral fillers,
- Stainless steel bars,
- Stainless steel screws and/or screws covered with plastic caps,
- Safe end caps on top of the structure made of rubber or polypropylene,



Facilitating disability



easy access



integration



Intellectual development



manipulation



thinking



Physical development



sliding



climbing





1
number of slides



1
number of interactive elements



2
number of activity elements

Product technical sheet

JUNGLE 3202

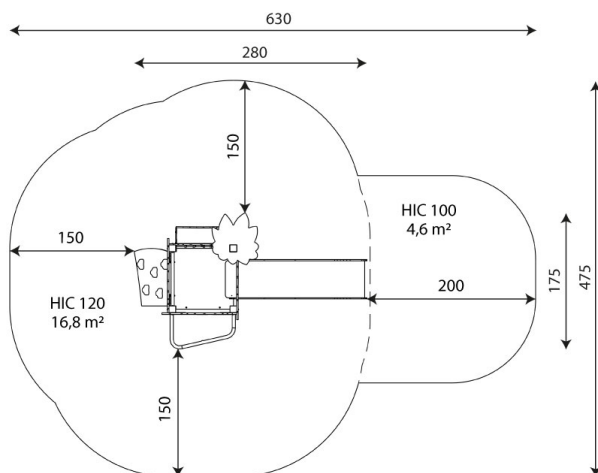
Product data

Length	280 cm
Width	175 cm
Total height	380 cm
Age group	3 - 14 years
Number of users	7 kids
Safety zone	21,4 m2
Free fall height	120 cm
The height of the platforms	120 cm
slide platform height	120 cm
In accordance with norm EN	1176-1:2017
Weight of the heaviest part	26 kg
Dimensions of the largest part	8x8x432 cm
Availability of spare parts	YES
Installation time	5 h
Color options	

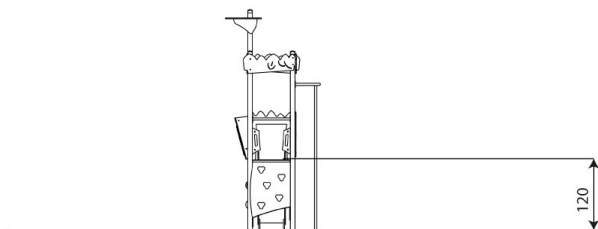
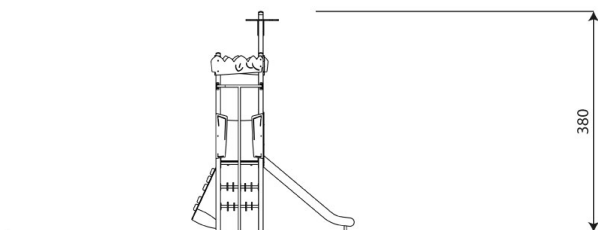
Data is subject to change without prior notice.

Additional information

- equipment adapted for the disabled; intended for public playgrounds;
- equipment has a certificate issued by an accredited entity or a declaration of conformity;
- no sharp edges or chinks that would pose a danger of jimmie the head, fingers or any other body parts;
- anchoring on flat surface, 80/70/60 cm deep;
- slide should not be installed southwards;
- render is for reference only, the actual appearance of the equipment and its color may vary;



21,4 m²



Guarantee

30

30 year guarantee - Structural strength of steel and stainless steel components

15

15 year guarantee - Structural failure of steel and stainless steel, for dynamic equipment

10

10 year guarantee - Structural failure of high density polyethylene and high pressure laminates components

5

5 year guarantee - Corrosion of stainless steel and hot dip galvanized and powder coated components; against bark beetles and rot in case of wooden structural elements

Detailed information in the guarantee card



Surfaces according to EN 1176-1:2017

	Description (mm)	Layer thickness (cm)	Maximum fall heights (cm)
Turf/ top layer of soil (A,B,C)	-	-	≤100
bark (A,C)	Particle size from 20 to 80	30	≤200
		40	≤300
woodchips (A,C)	Particle size from 5 to 30	30	≤200
		40	≤300
sand or gravel (A,C)	Particle size from 0,25 to 8	30	≤200
		40	≤300
synthetic attested (A,B,C)	Tested according to EN 1177		120

Product technical sheet

JUNGLE 3202

Amount of safe surface corresponding with free fall height:

HIC 100 4,6 m²

HIC 120 16,8 m²

Data is subject to change without prior notice.

