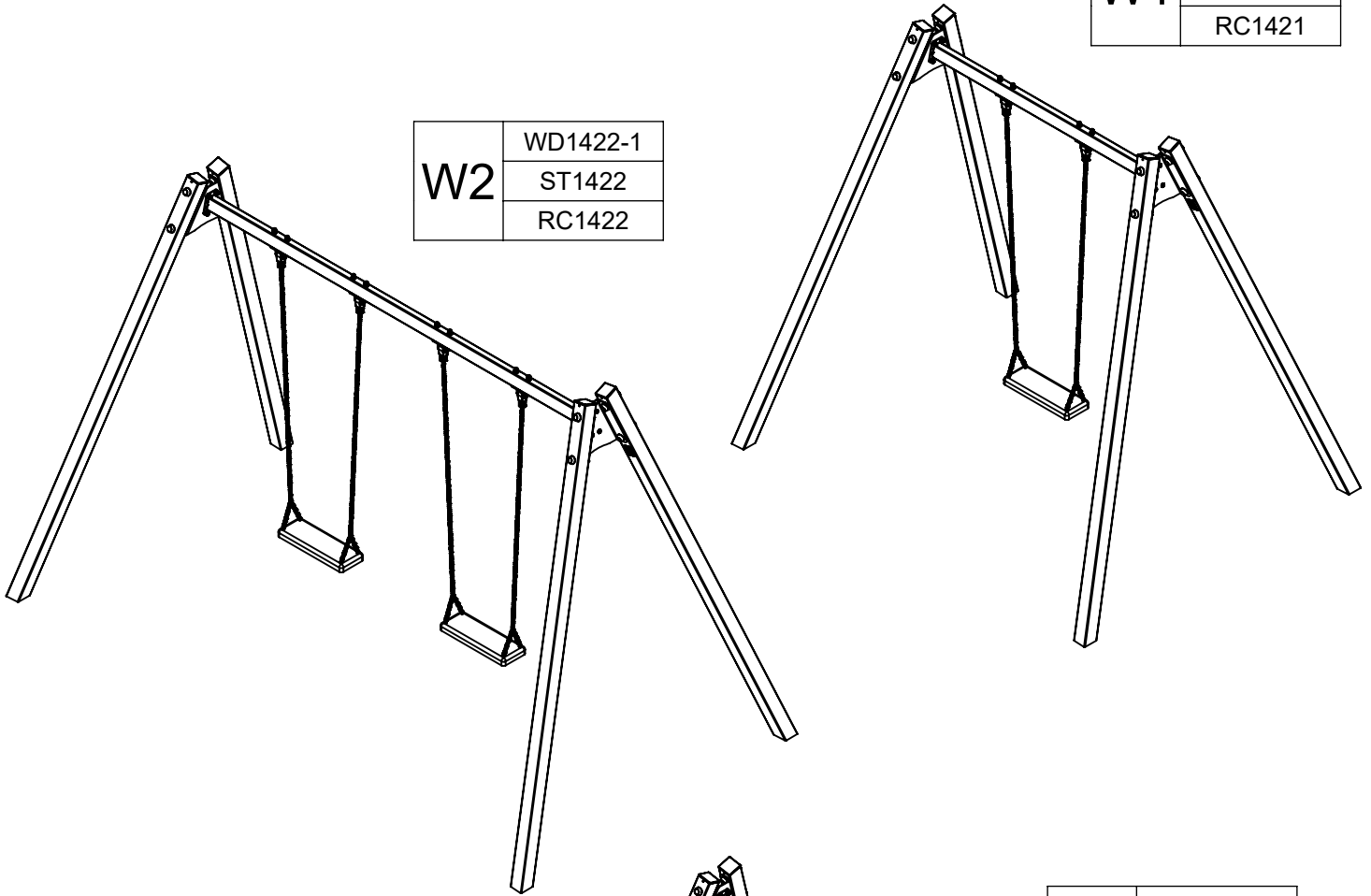


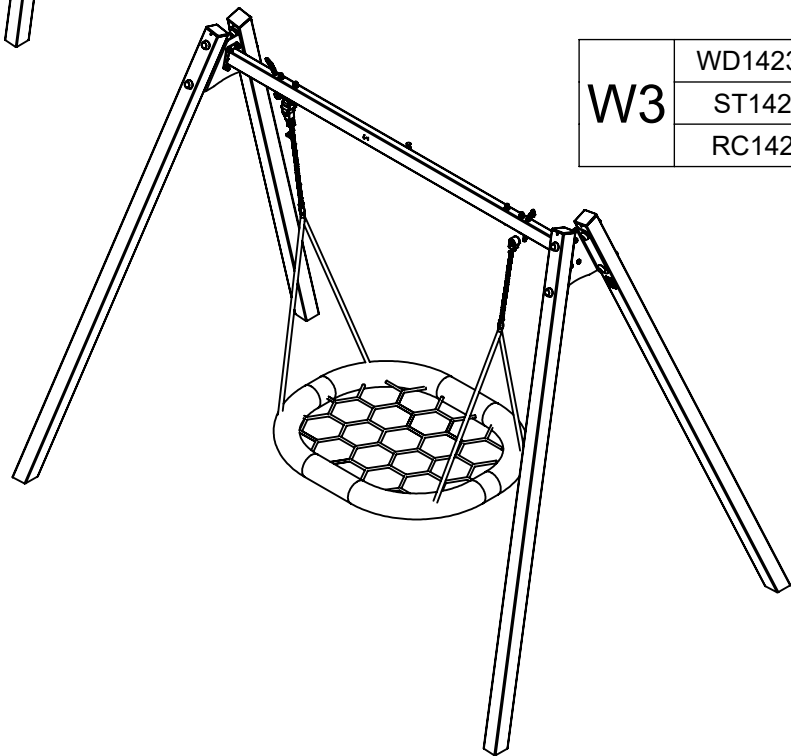
# WD/ST/RC








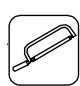



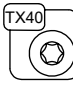






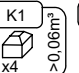
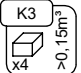
<b>W1</b>	WD1421-1
	ST1421
	RC1421

<b>W2</b>	WD1422-1
	ST1422
	RC1422



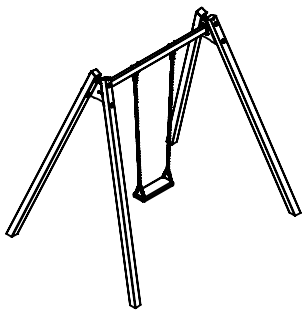
<b>W3</b>	WD1423-1
	ST1423
	RC1423



v015  
16.11.2023  
M.L.  
[cm]

vinci  
play

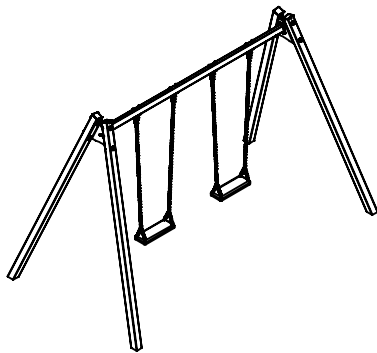
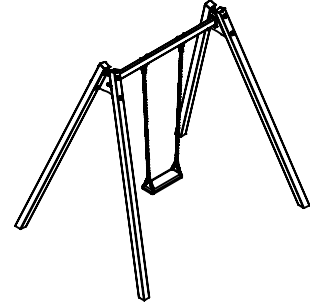
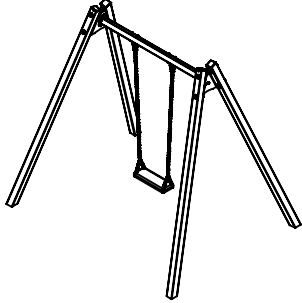
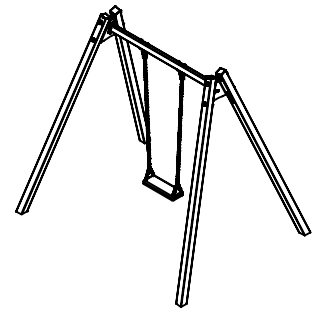


W1

WD1421-1

ST1421

RC1421

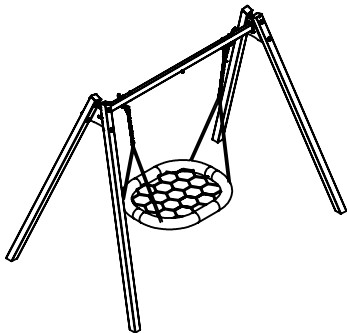
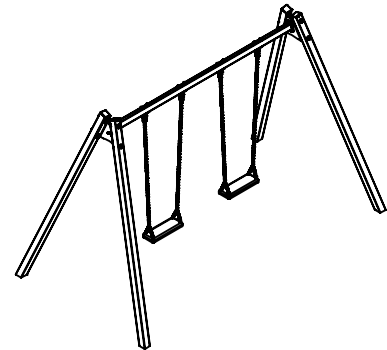
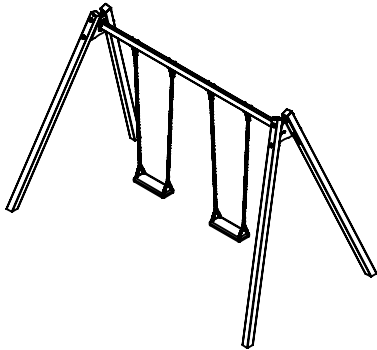
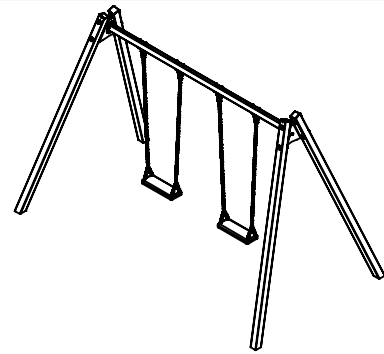


W2

WD1422-1

ST1422

RC1422

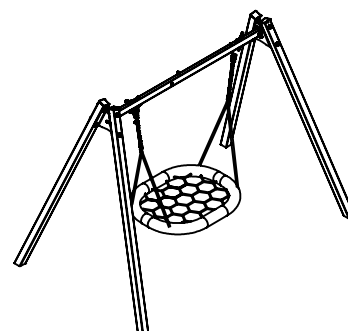
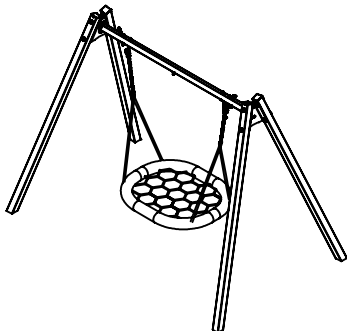


W3

WD1423-1

ST1423

RC1423



[cm]

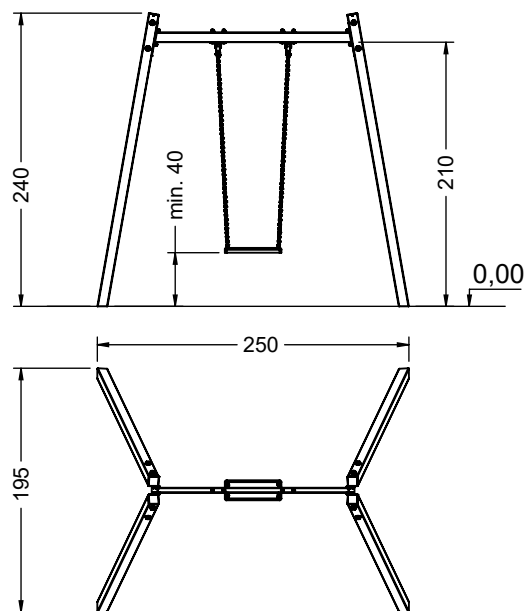
vinci  
play

W1

WD1421-1

ST1421

RC1421

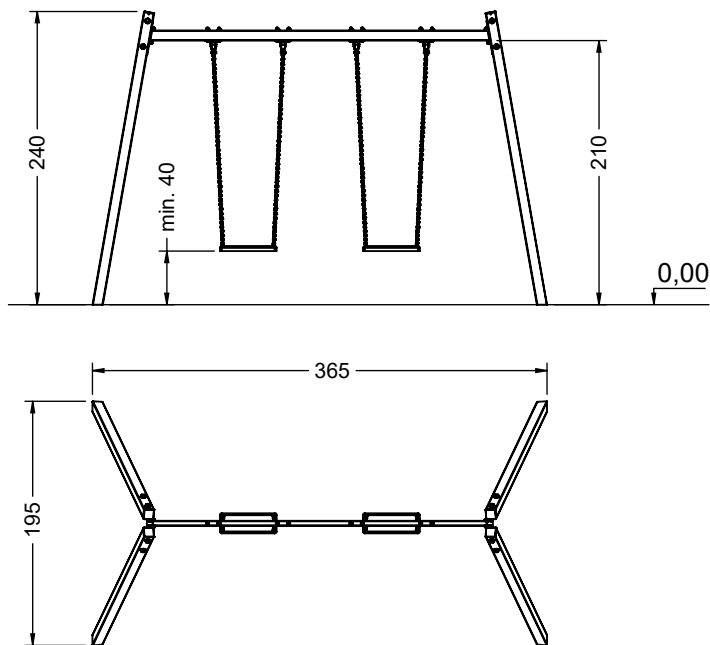


W2

WD1422-1

ST1422

RC1422

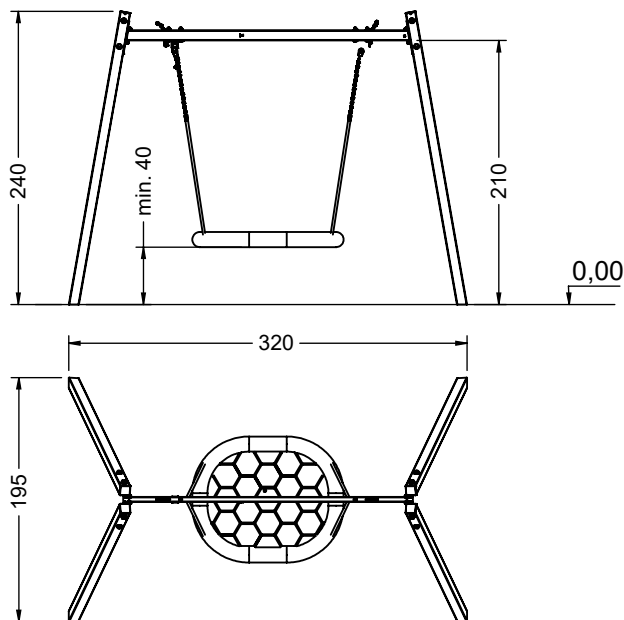


W3

WD1423-1

ST1423

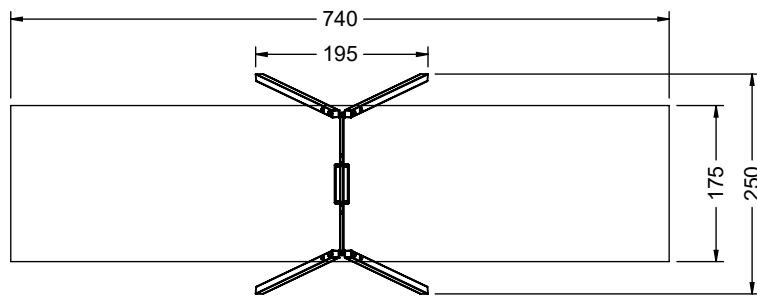
RC1423



[cm]



vinci  
play

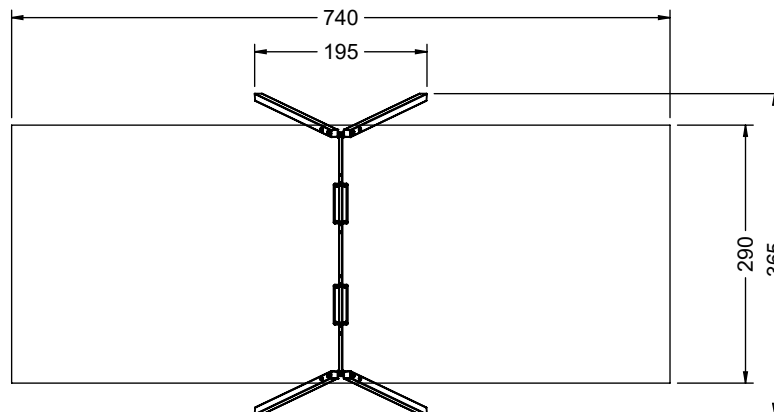


**W1**

WD1421-1

ST1421

RC1421

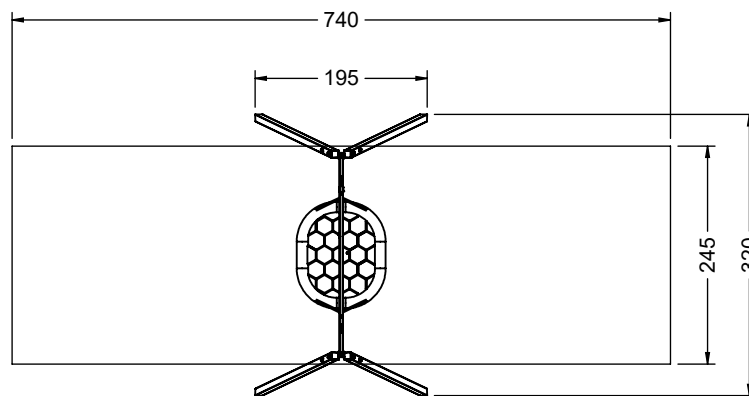


**W2**

WD1422-1

ST1422

RC1422



**W3**

WD1423-1

ST1423

RC1423

[cm]

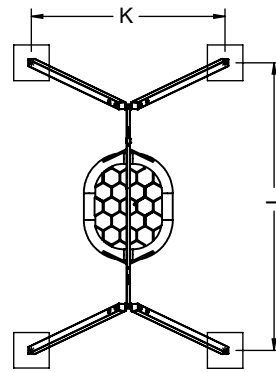
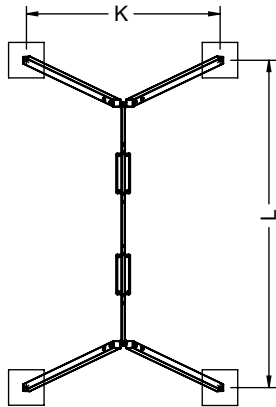
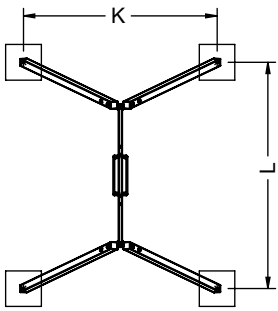


vinci  
play

	K,cm	L,cm
K1	218	255
K2	225	259
K3	188	241

	K,cm	L,cm
K1	218	368
K2	225	372
K3	188	355

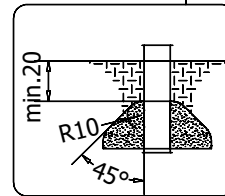
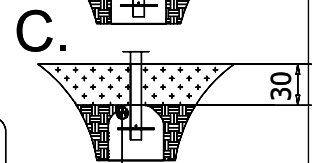
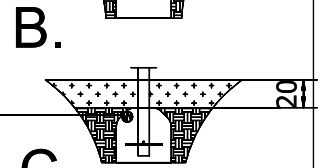
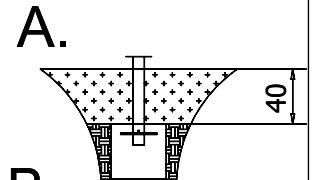
	K,cm	L,cm
K1	218	323
K2	225	327
K3	188	310



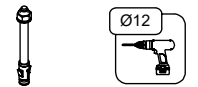
<b>W1</b>	WD1421-1
	ST1421
	RC1421

<b>W2</b>	WD1422-1
	ST1422
	RC1422

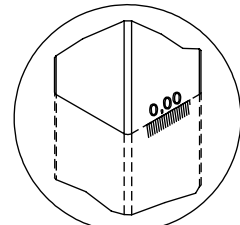
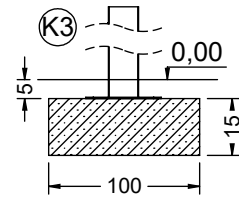
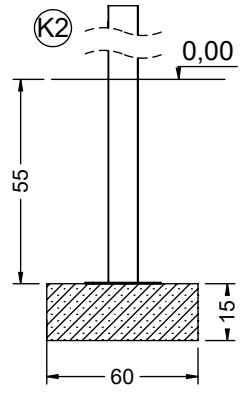
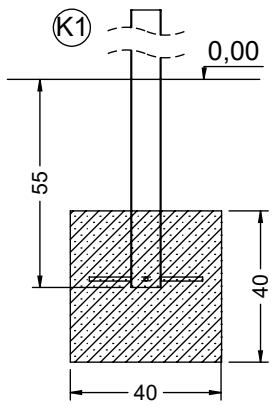
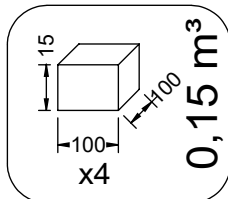
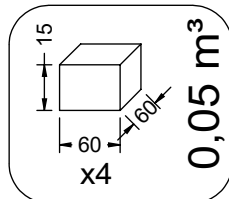
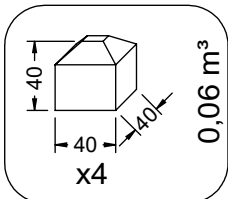
<b>W3</b>	WD1423-1
	ST1423
	RC1423



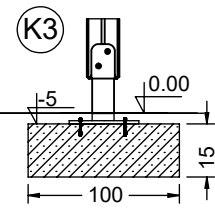
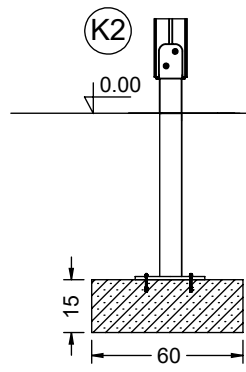
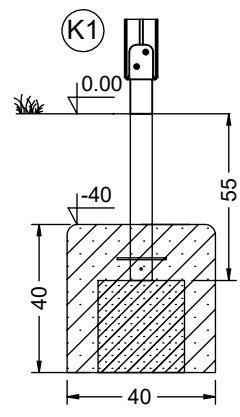
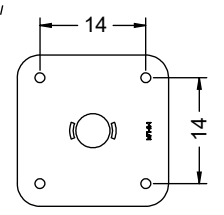
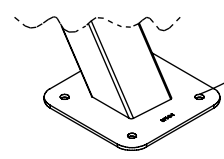
16x M12x120 (K2)  
16x M12x120 (K3)



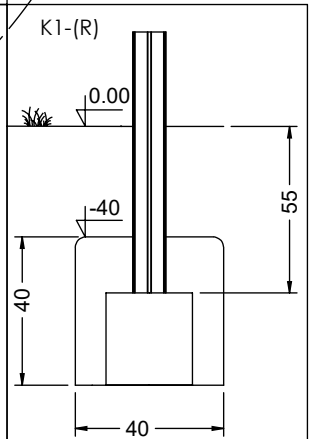
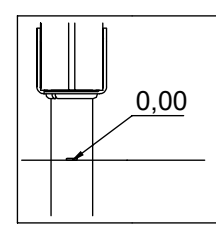
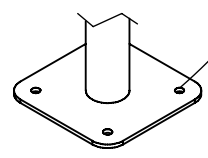
**NOT INCLUDED**



**ST**



**WD**



[cm]



2h



48h



K1  
x4  
>0,06m³



K2  
x4  
>0,05m³



K3  
x4  
>0,15m³



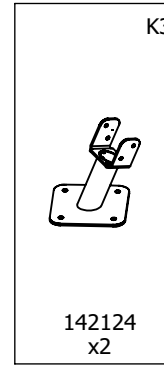
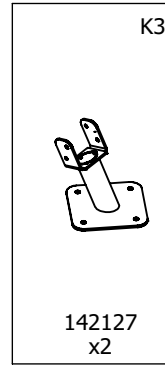
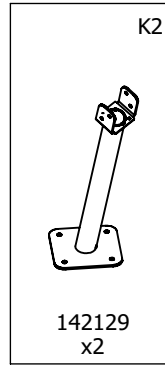
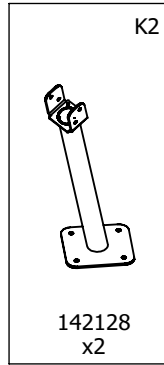
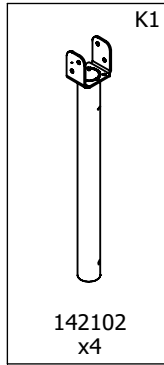
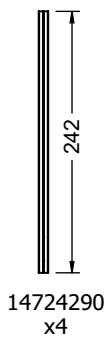
Ø12



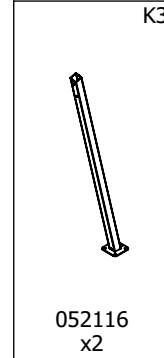
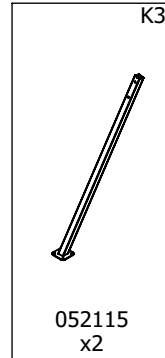
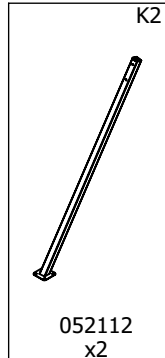
19

vinci  
play

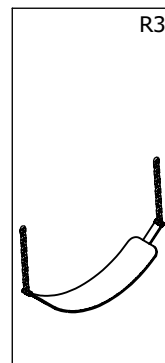
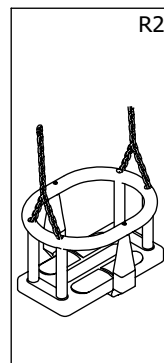
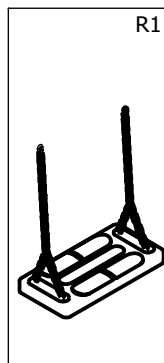
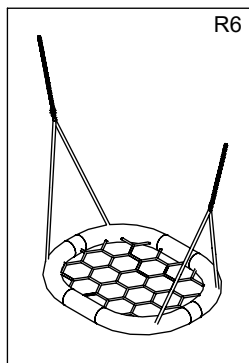
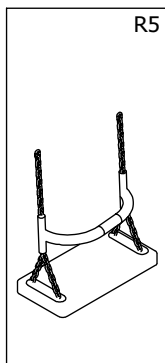
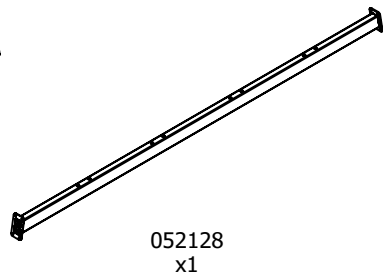
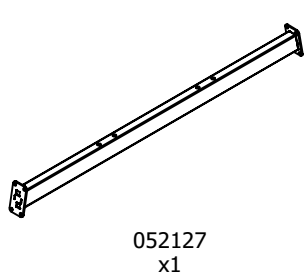
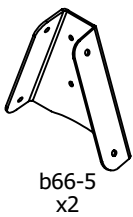
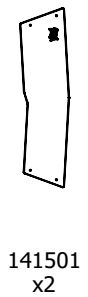
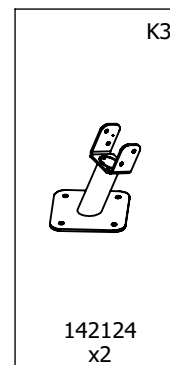
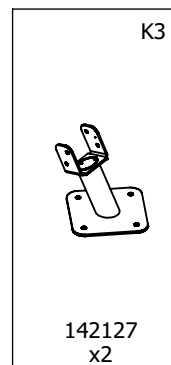
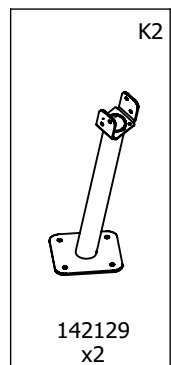
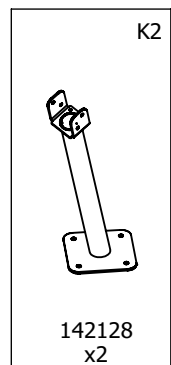
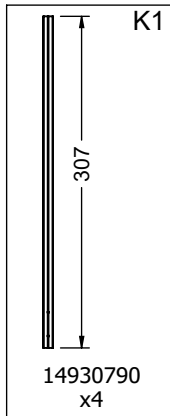
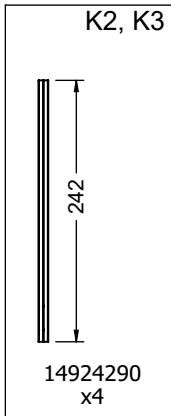
## WD



## ST



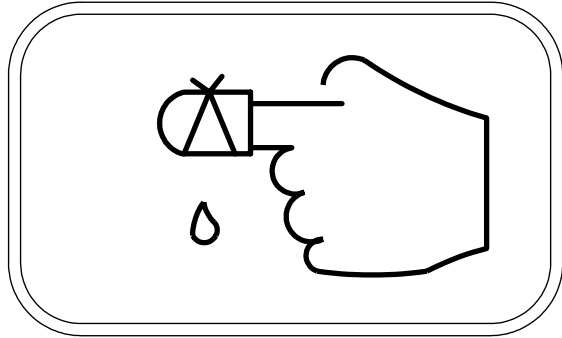
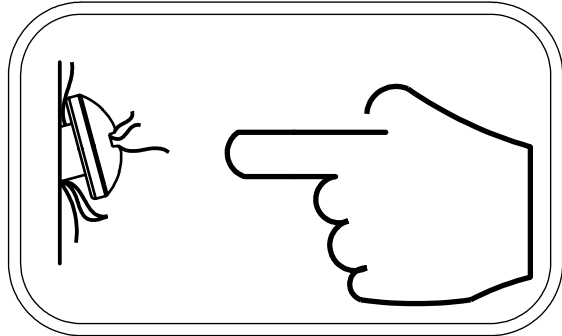
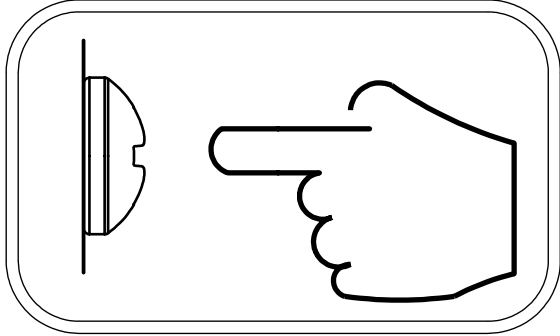
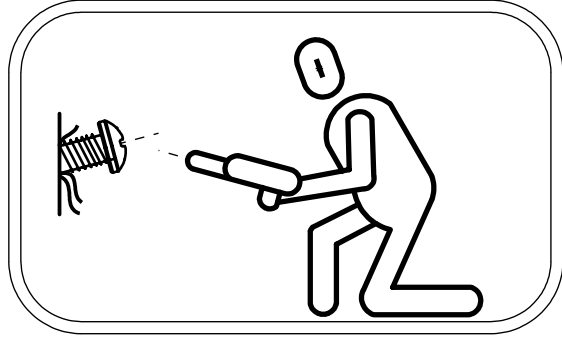
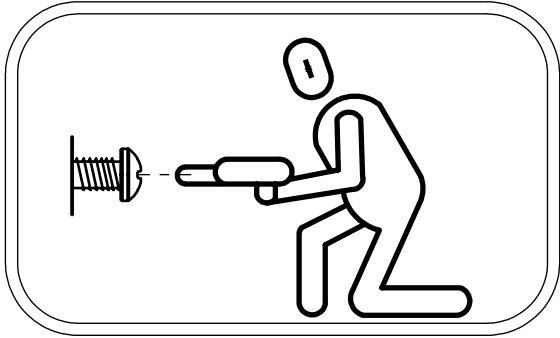
## RC



[cm]

vinci  
play

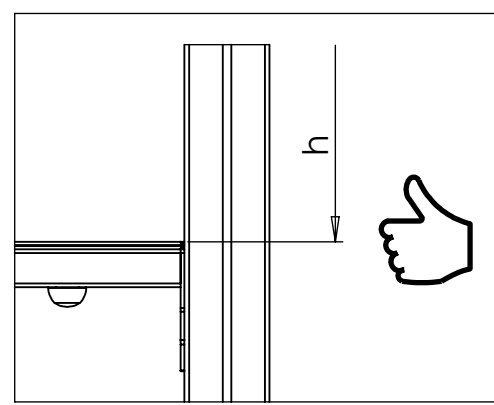
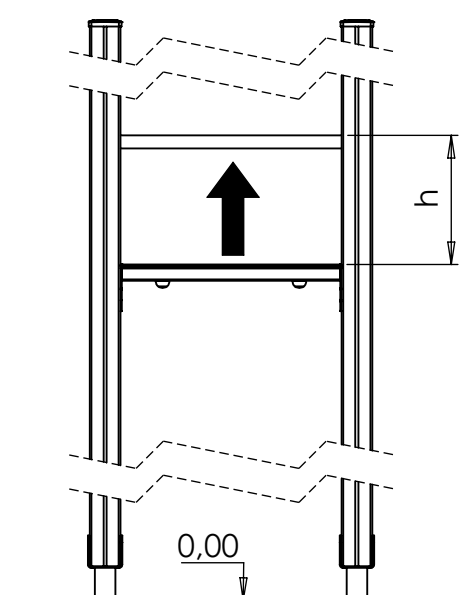
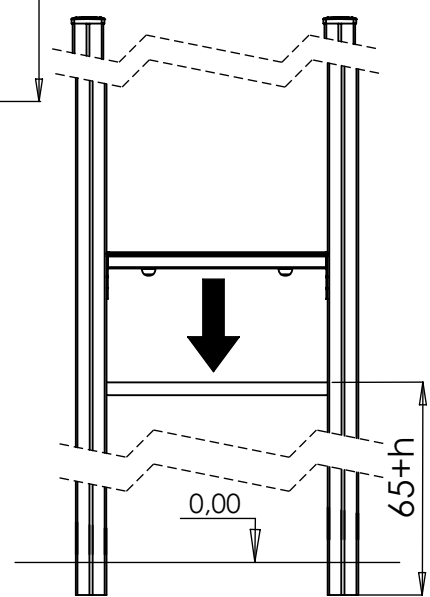
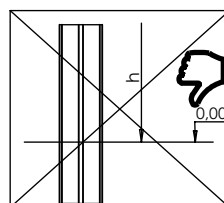
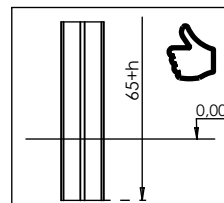
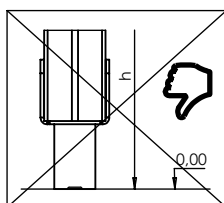
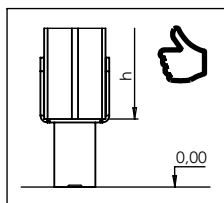
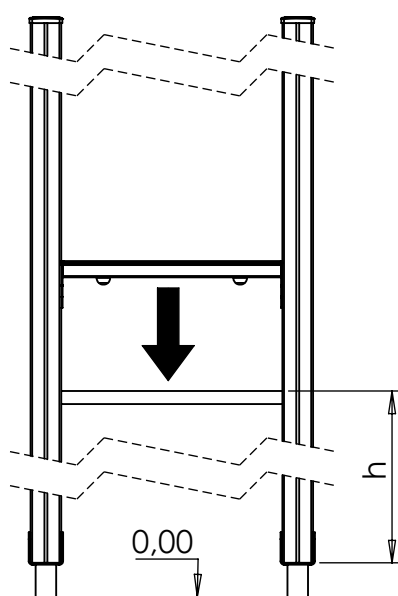
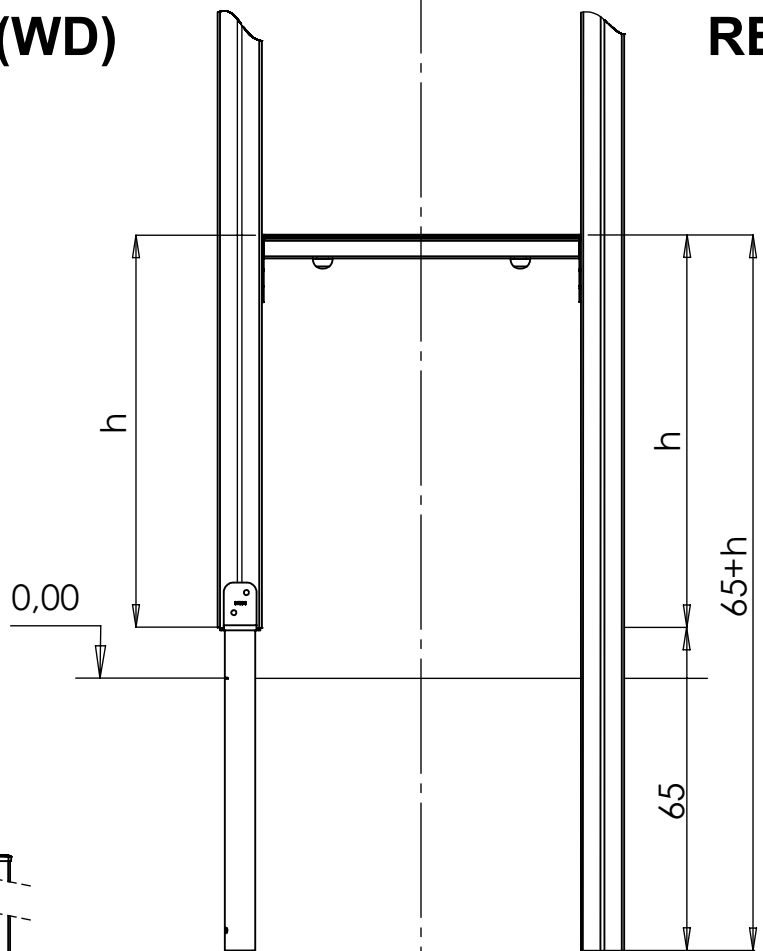
	<b>W1</b>	<b>W2</b>	<b>W3</b>
<b>WD</b>	16x 8x50 sxi 4x WD1 2x WD62 1x E60 1x E62 1x V001 x E164 (R1) x E165 (R2) x E168 (R3) x E164 (R5)	16x 8x50 sxi 4x WD1 2x WD62 1x E60 2x E62 1x V001 x E164 (R1) x E165 (R2) x E168 (R3) x E164 (R5)	16x 8x50 sxi 4x WD1 2x WD62 1x E60 1x E63 1x V001
<b>ST</b>	1x E60 1x E62 2x E64 1x V002 x E164 (R1) x E165 (R2) x E168 (R3) x E164 (R5)	1x E60 2x E62 2x E64 1x V002 x E164 (R1) x E165 (R2) x E168 (R3) x E164 (R5)	1x E60 1x E63 2x E64 1x V002
<b>RC</b>	16x 8x50 sxi (K2,K3) 8x 8x50 sxi 4x WD1 2x WD62 1x E60 1x E62 1x V001 x E164 (R1) x E165 (R2) x E168 (R3) x E164 (R5)	16x 8x50 sxi (K2,K3) 8x 8x50 sxi 4x WD1 2x WD62 1x E60 2x E62 1x V001 x E164 (R1) x E165 (R2) x E168 (R3) x E164 (R5)	16x 8x50 sxi (K2,K3) 8x 8x50 sxi 4x WD1 2x WD62 1x E60 1x E63 1x V001





# WOOD - (WD)

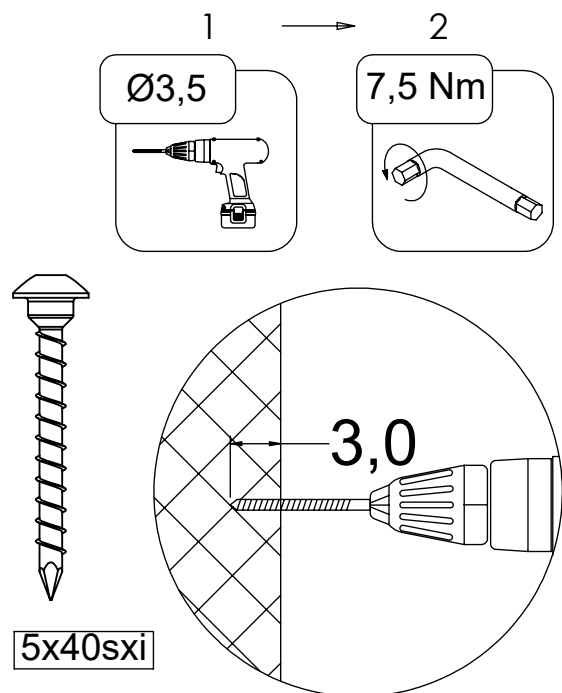
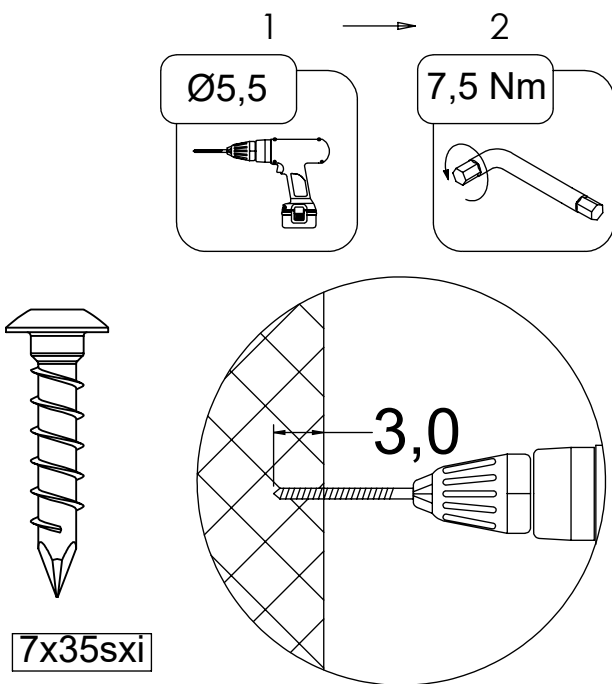
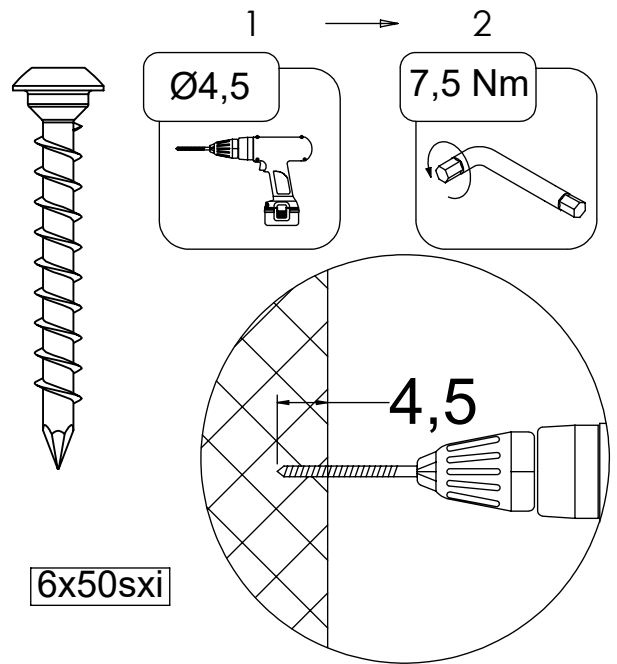
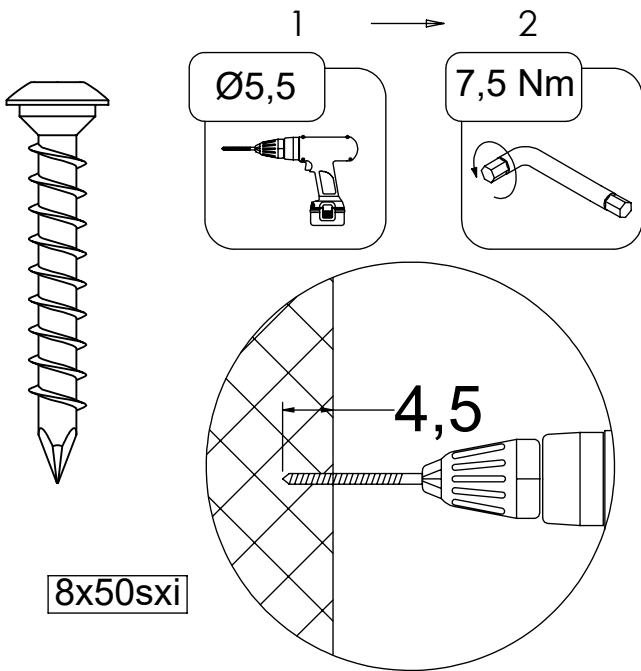
# RECYCLED - (RC)



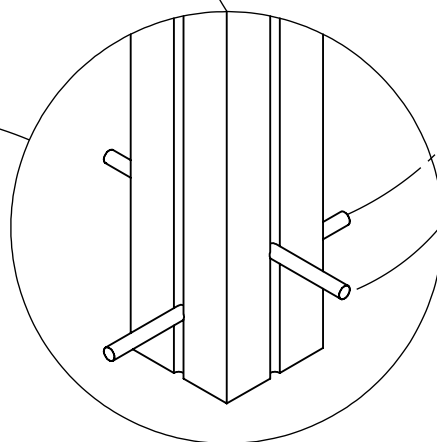
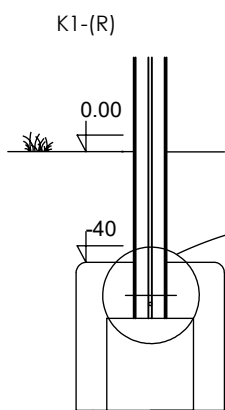
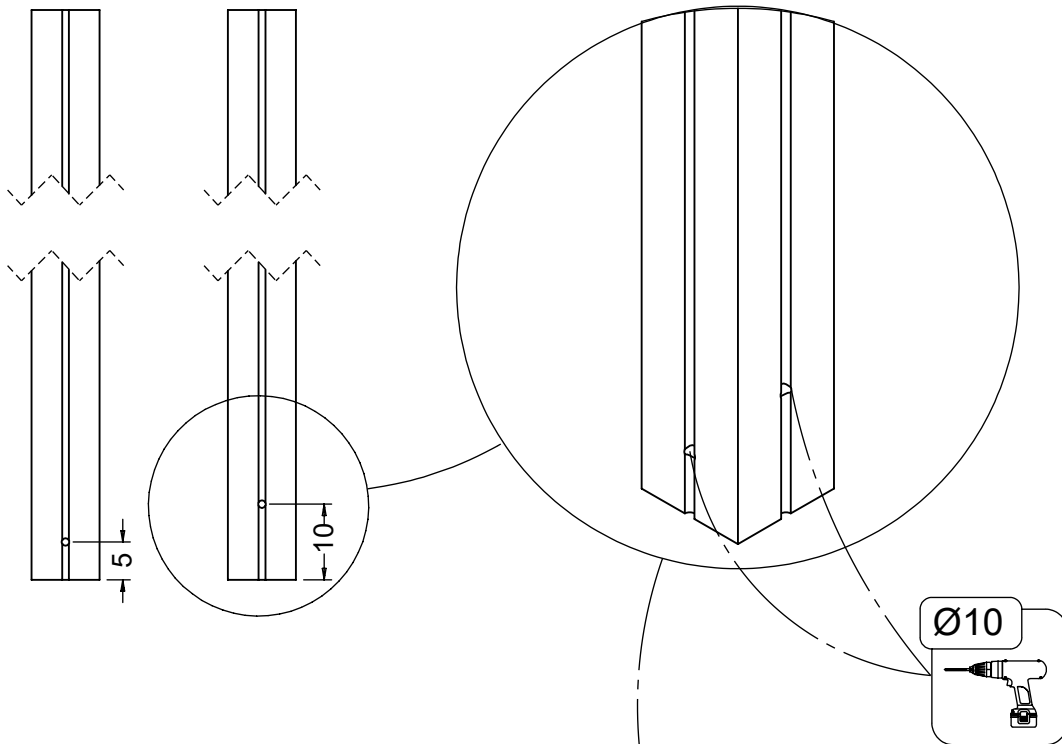
[cm]

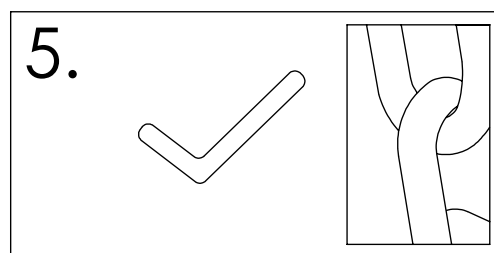
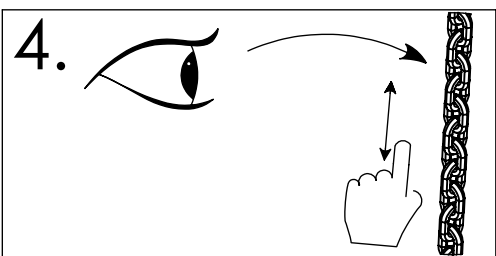
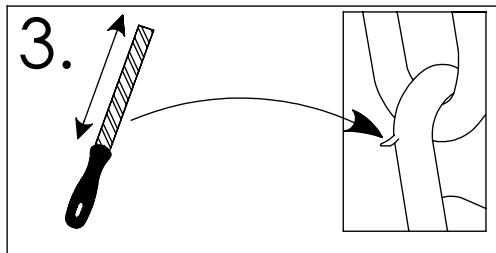
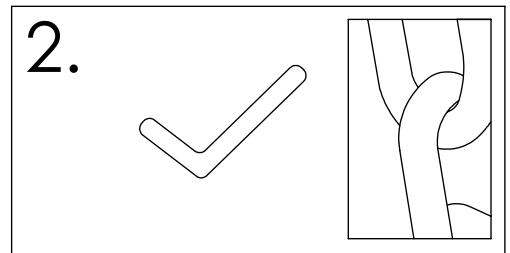
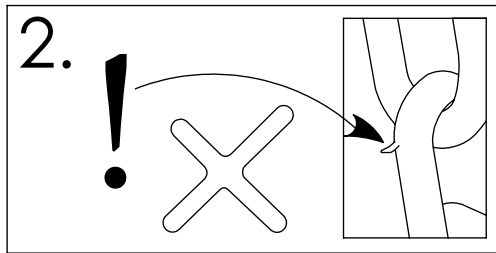
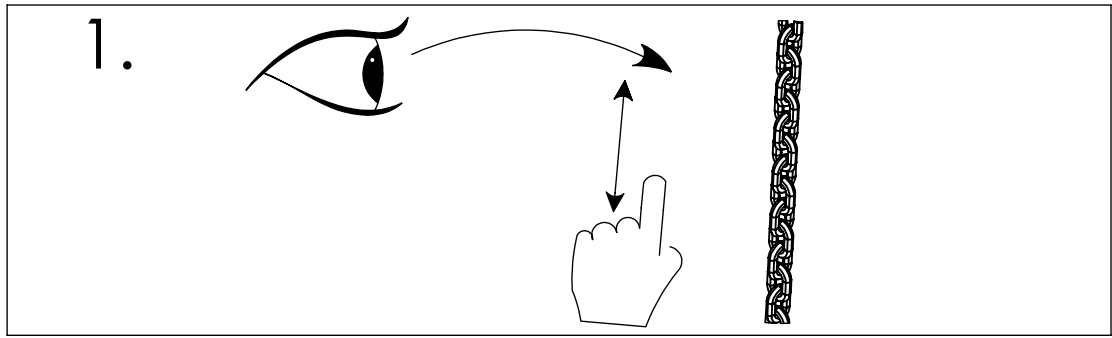
vinci play

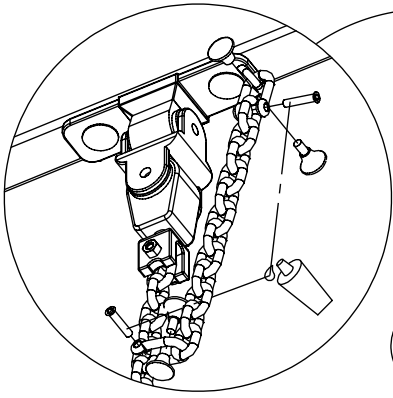
# RC!



# RC !

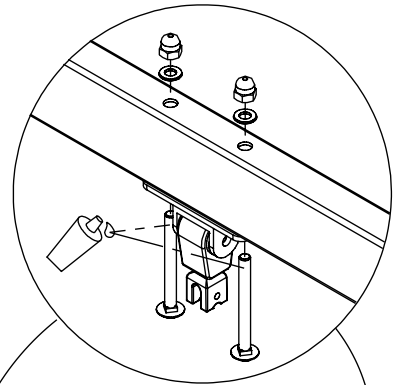
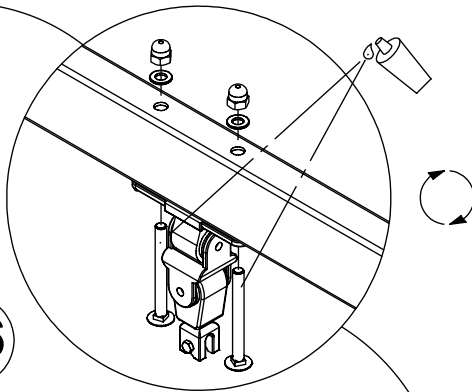




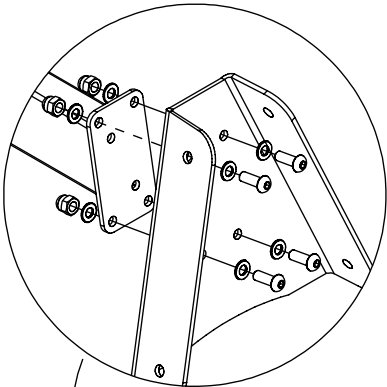
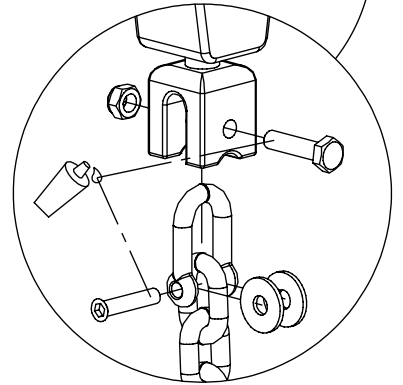


R6

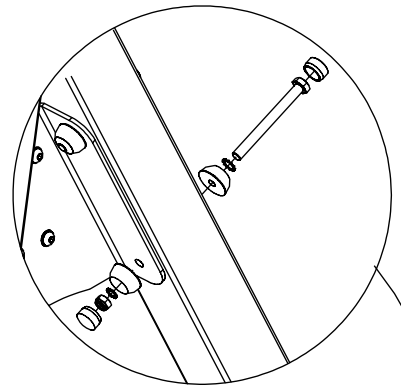
E63



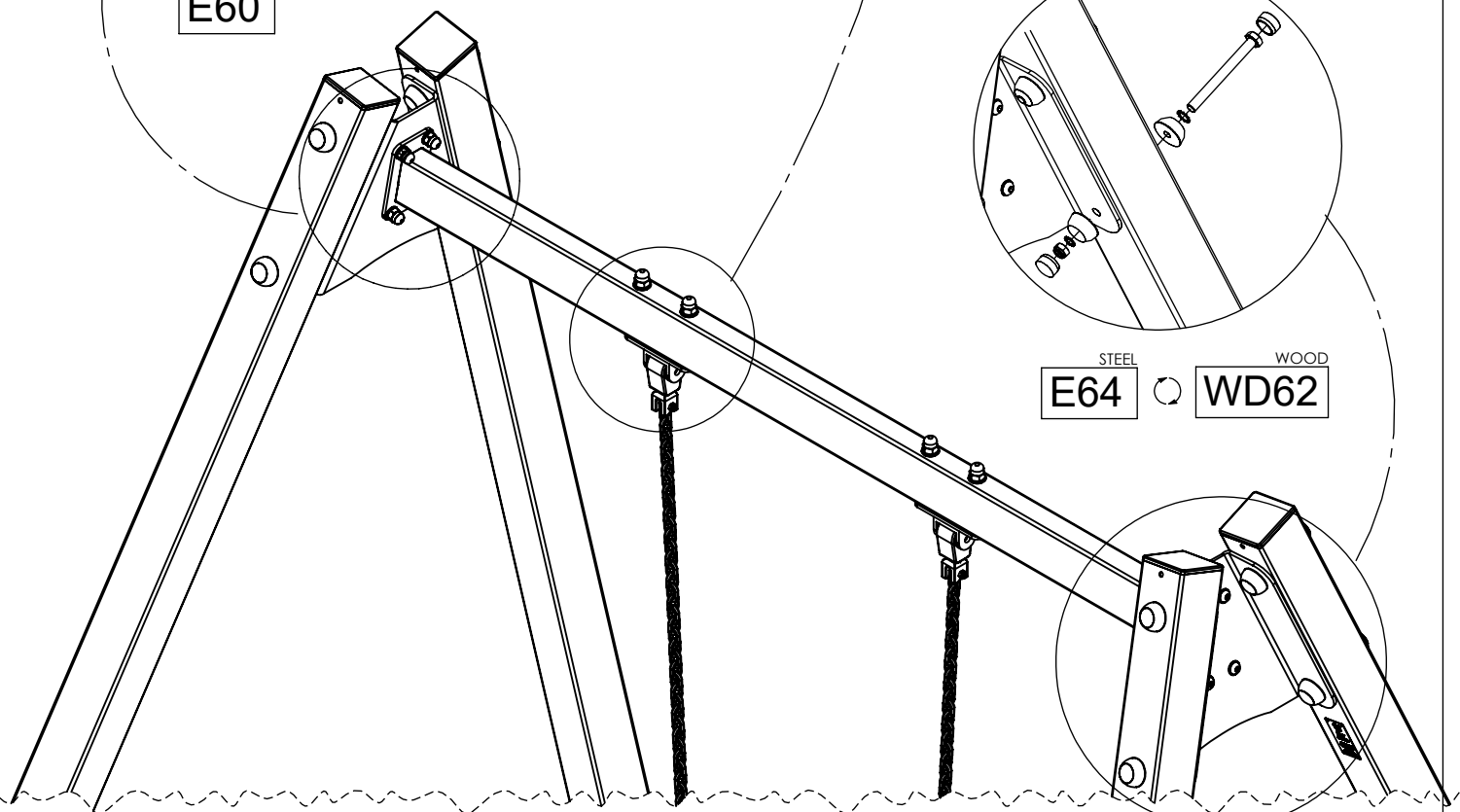
E62



E60



STEEL E64 ○ WOOD WD62

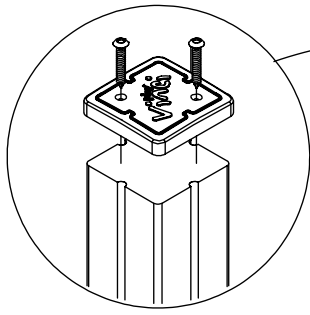


[cm]

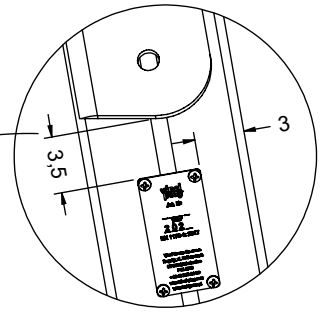


vinci play

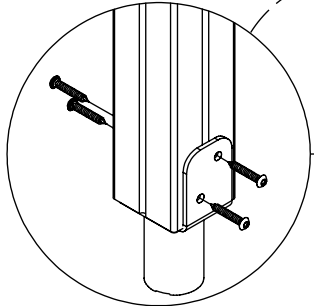
# WD



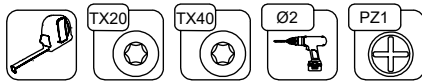
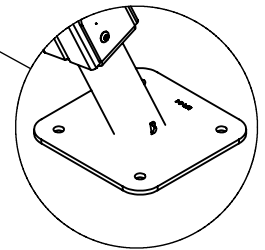
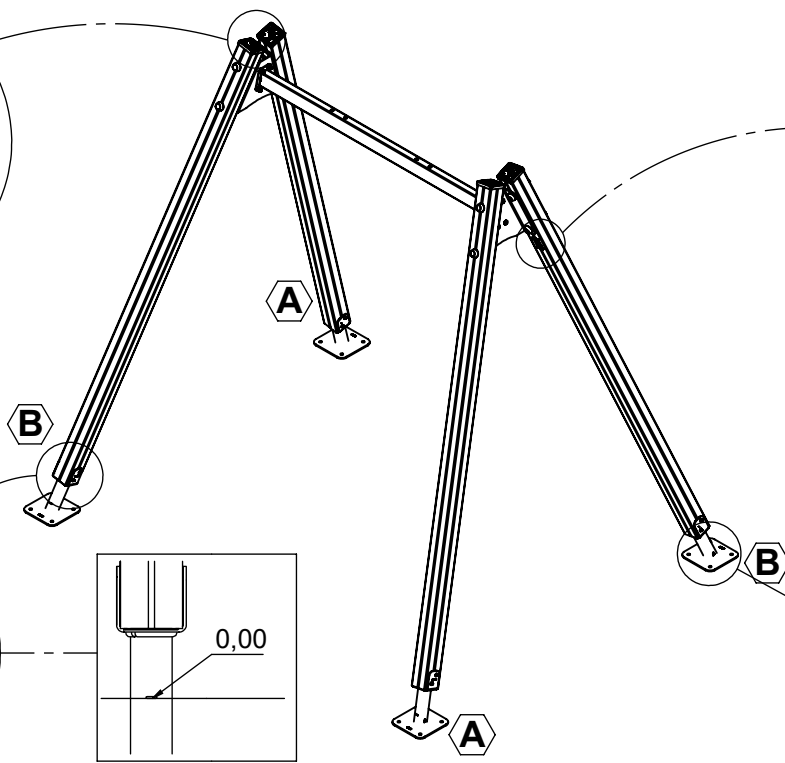
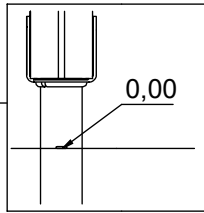
WD1



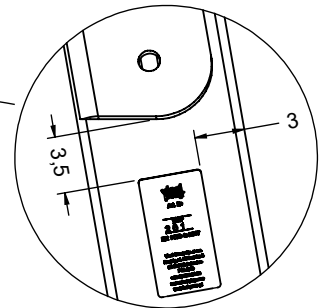
1x V001



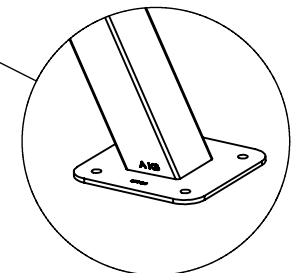
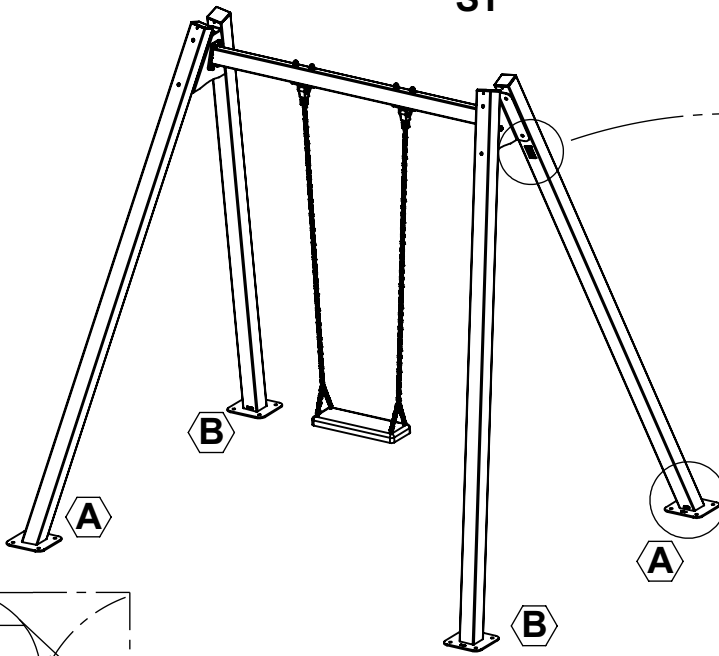
8x50 sxi



# ST

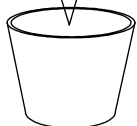


V002



Part No:  
000000-  
00000

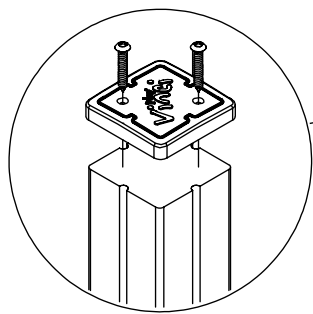
000000-00000



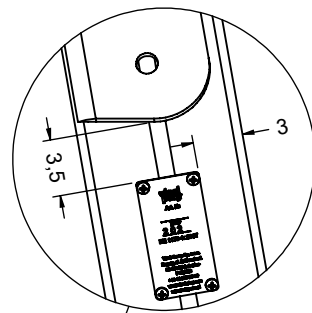
vinci play

[cm]

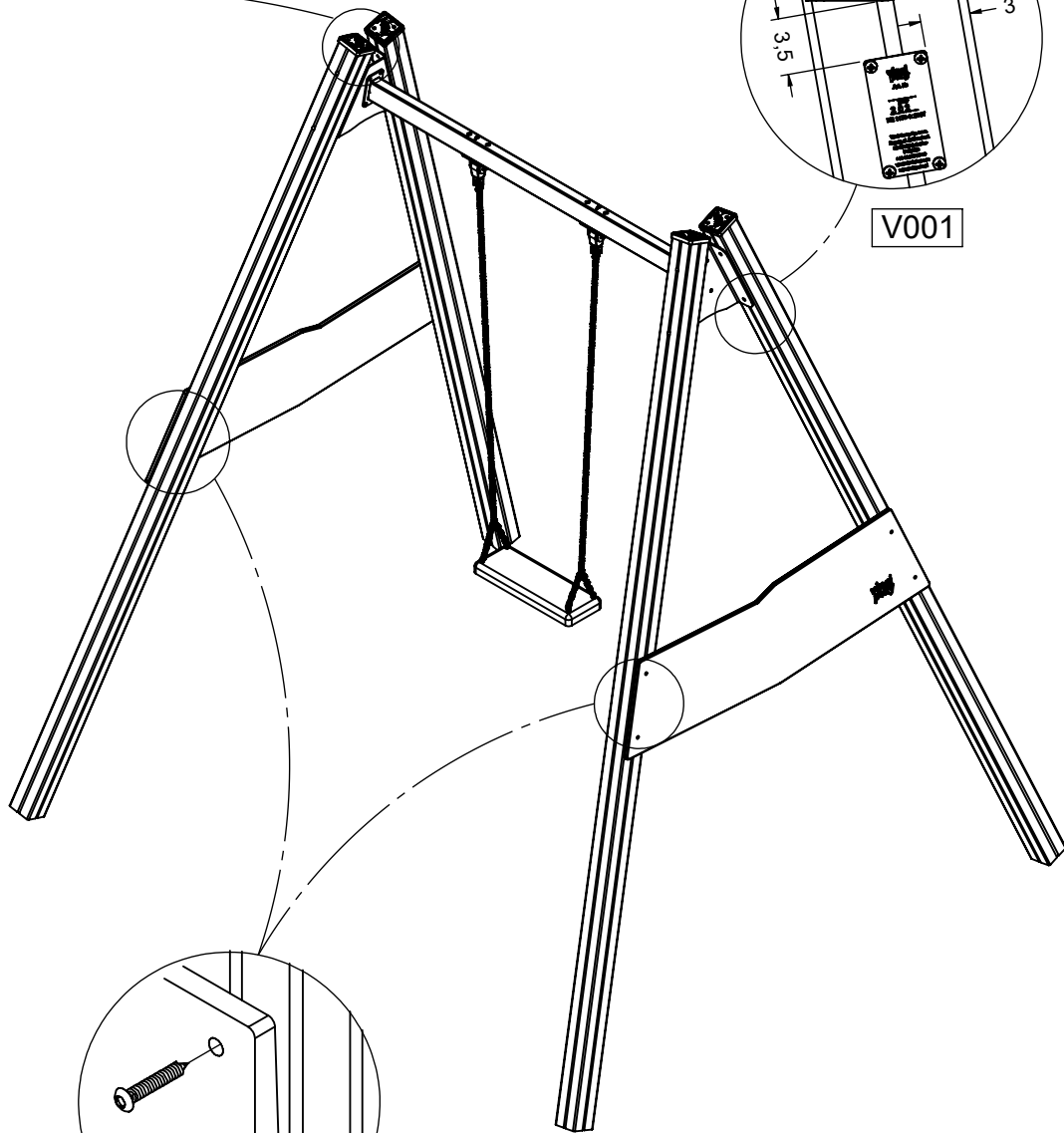
RC



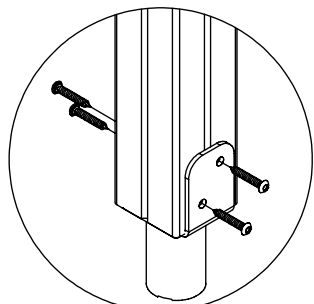
WD1



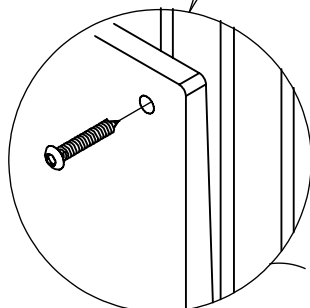
V001



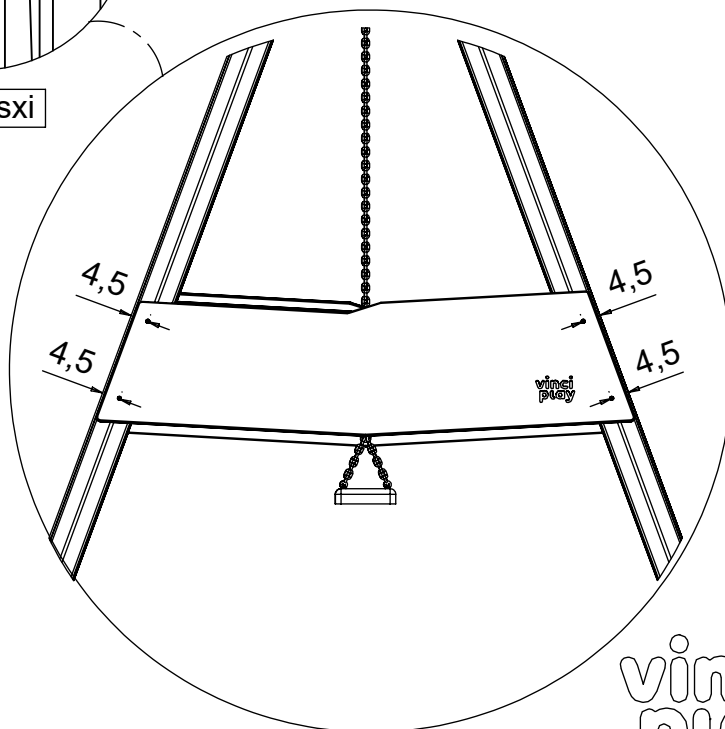
K2, K3



8x50 sxi



8x50 sxi



[cm]

vinci  
play

R2

x4

x4

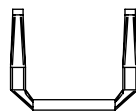
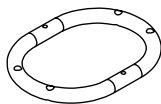
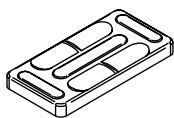
x1

x1

x1

x2

x2



A

B

C

D

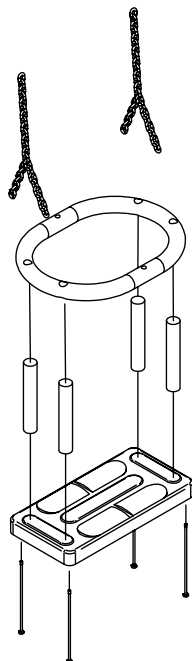
E

F

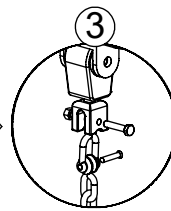
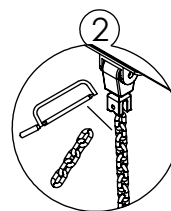
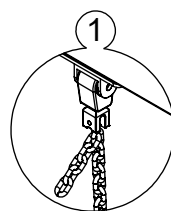
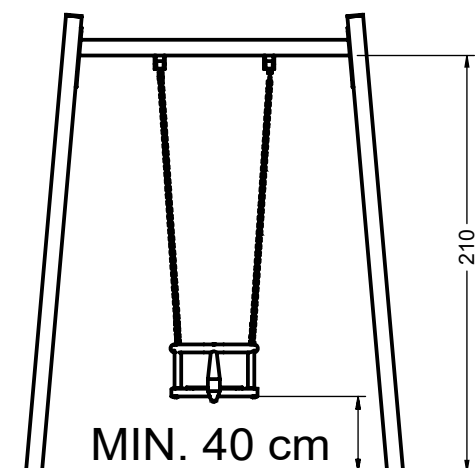
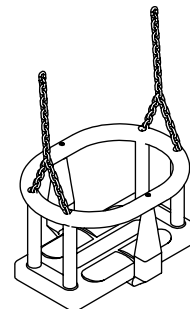
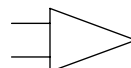
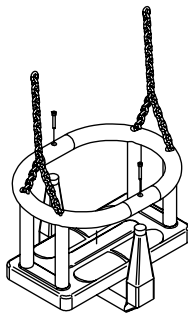
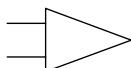
G

A + B + C + D + G

R2  
E165



D + E + F



[cm]

vinci  
play

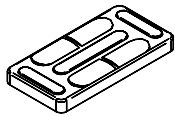


R1

x1

x2

x4



A



B

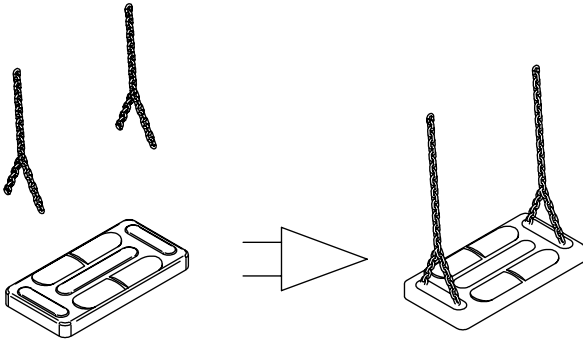


C

A + B + C

R1, R5

E164



R3

x1

x2

x2



A



B

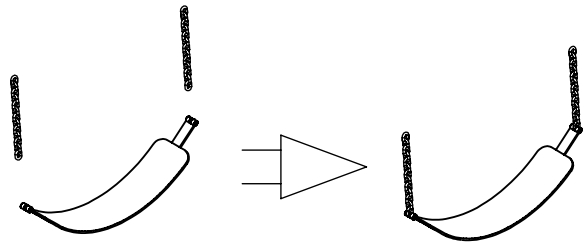


C

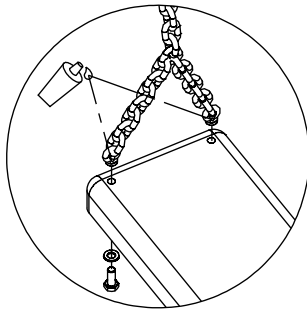
A + B + C

R3

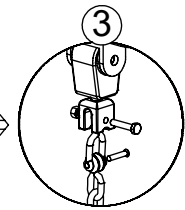
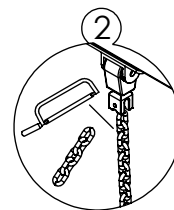
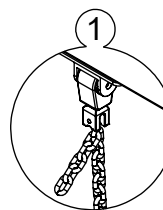
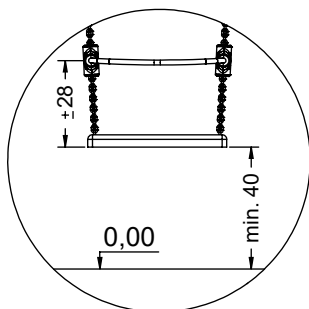
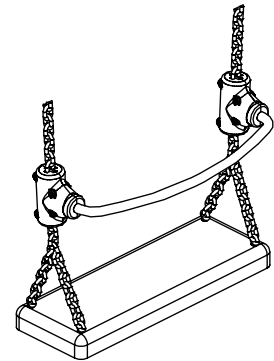
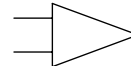
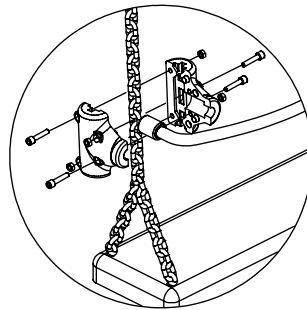
E168



R5

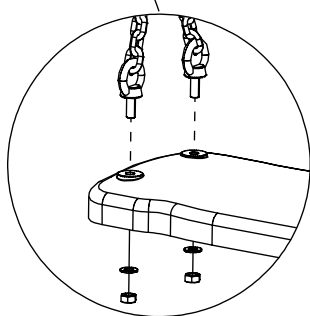
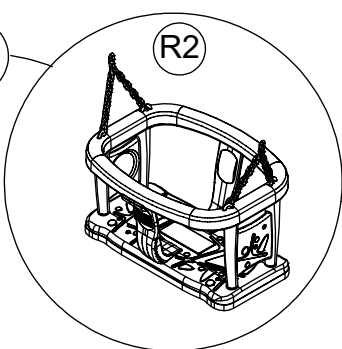
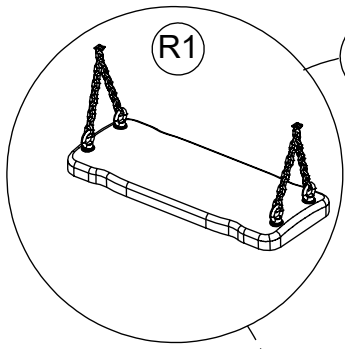


E164

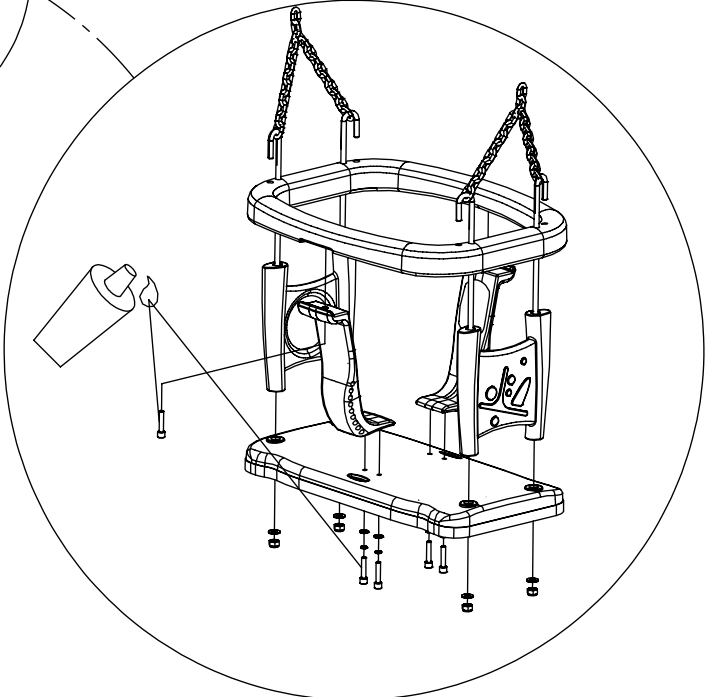


vinci play

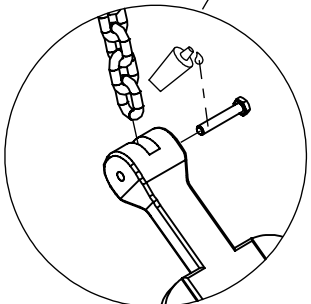
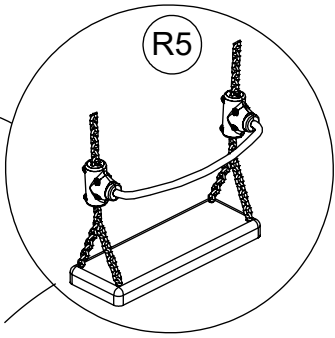
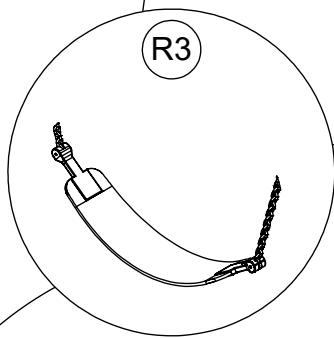
[cm]



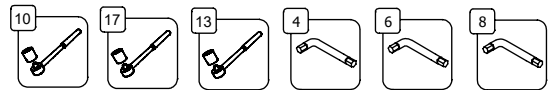
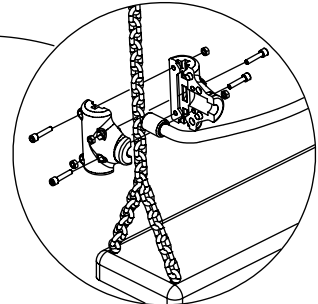
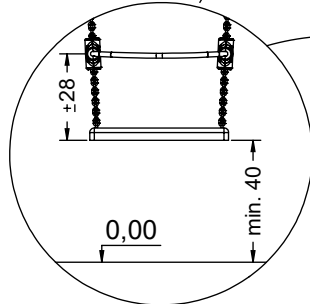
E164



E165



E166



[cm]

vinci play