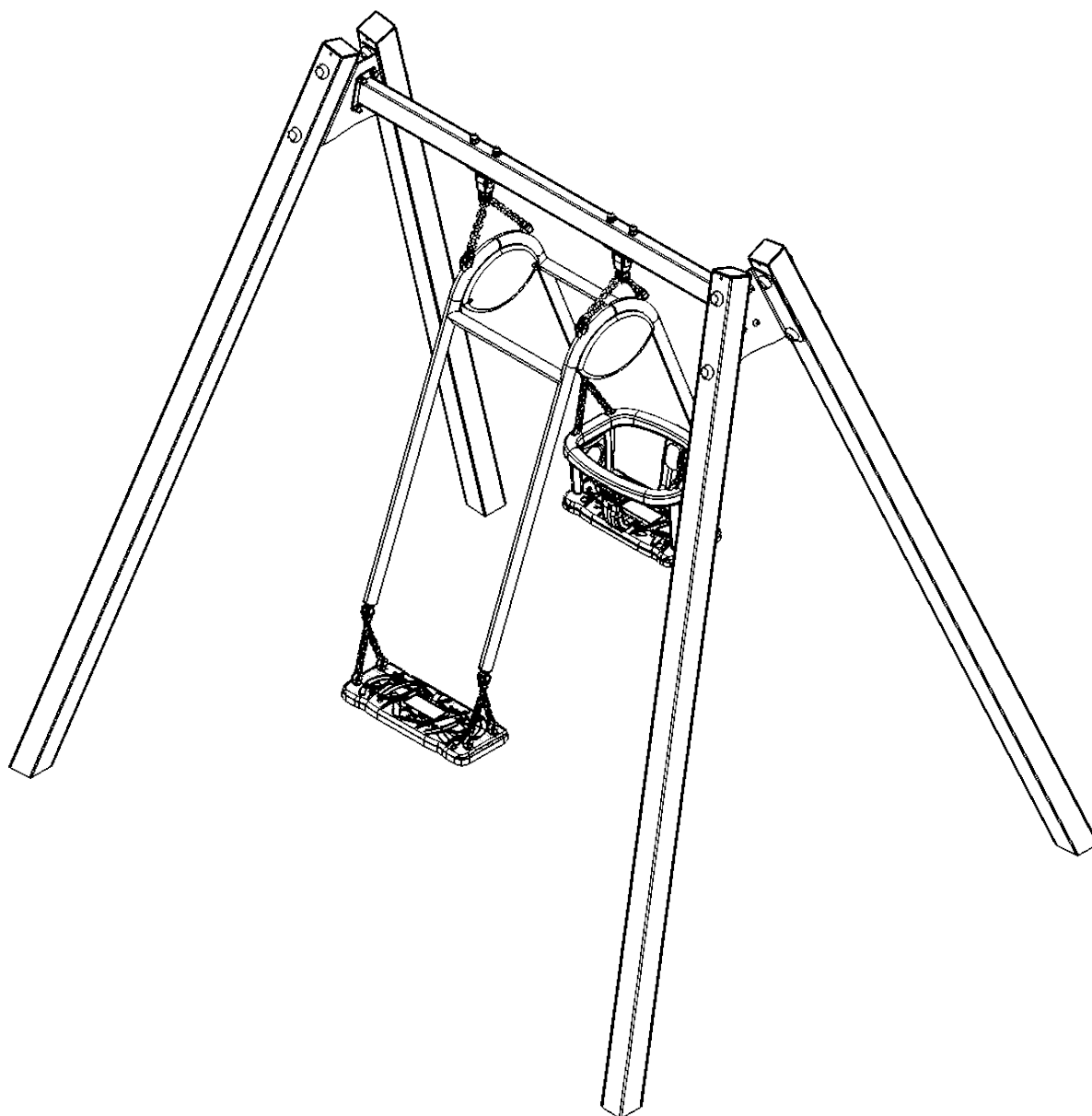
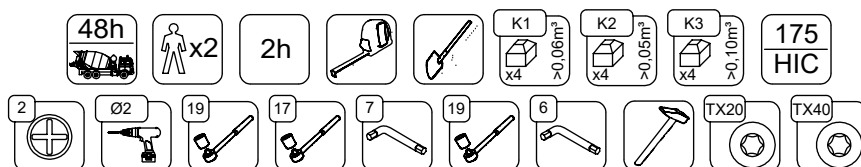


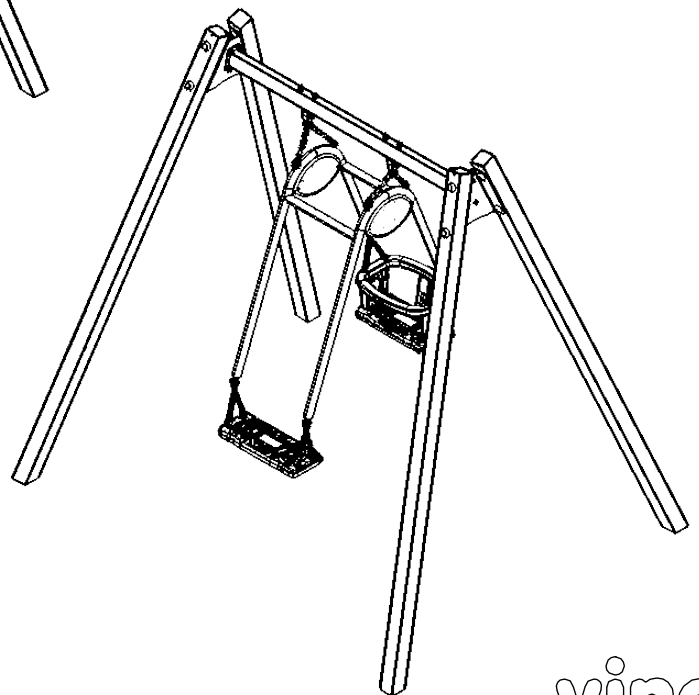
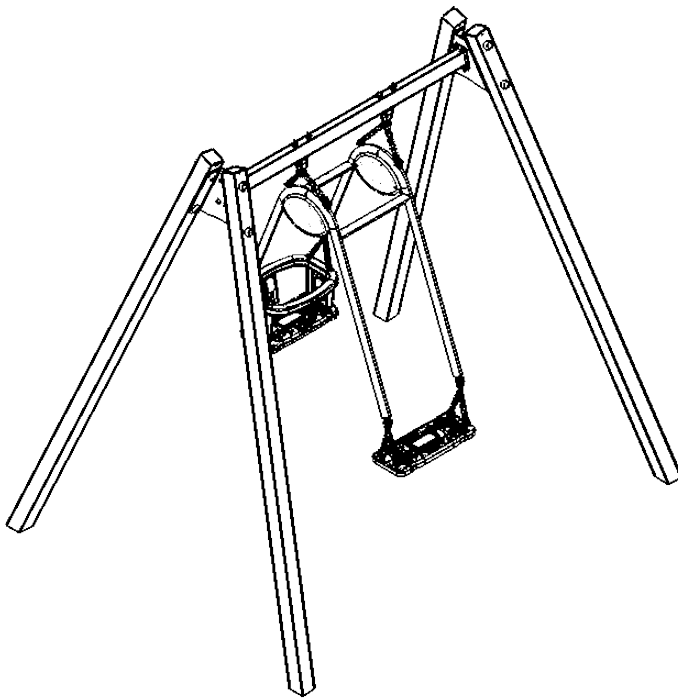
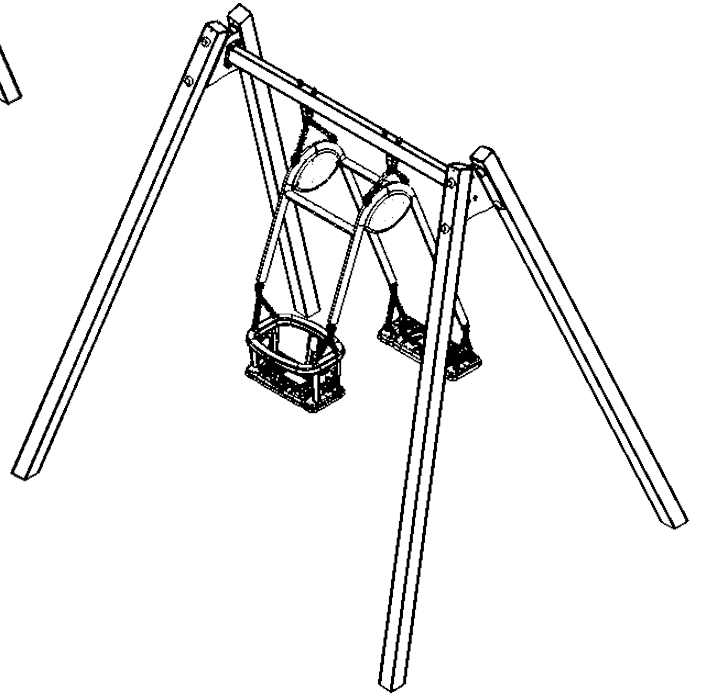
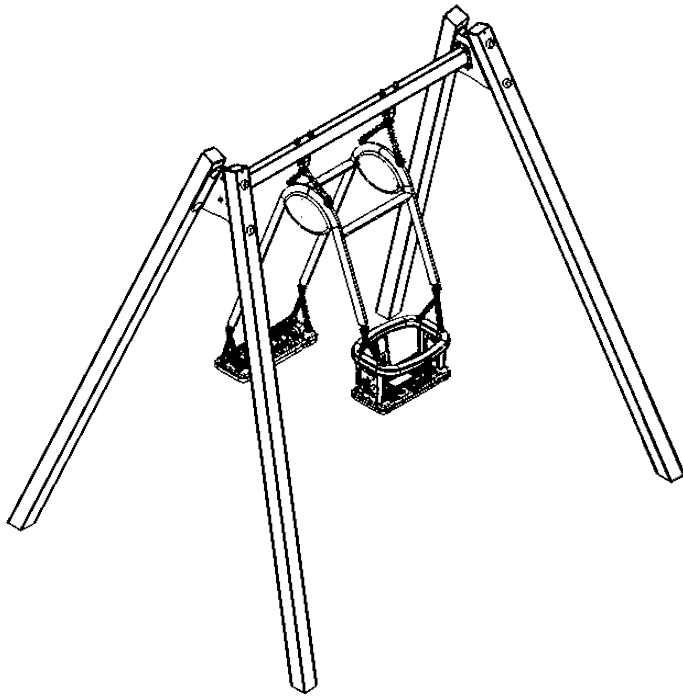
WD/ST/RC 0520



v012
17.11.2023
M.L.
[cm]

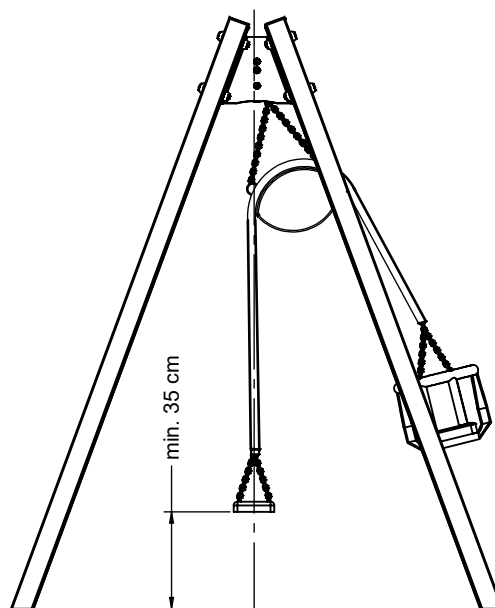
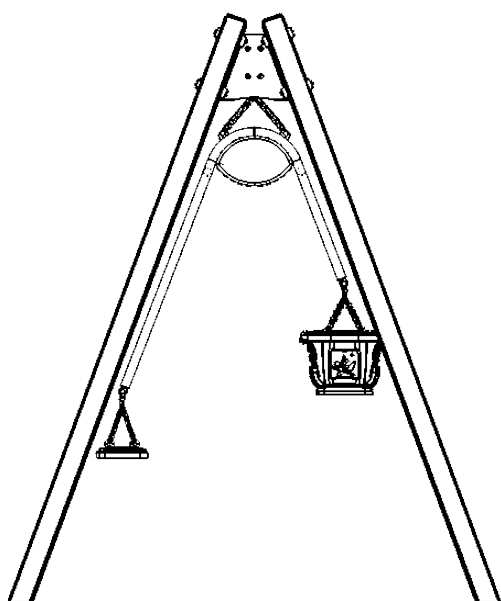
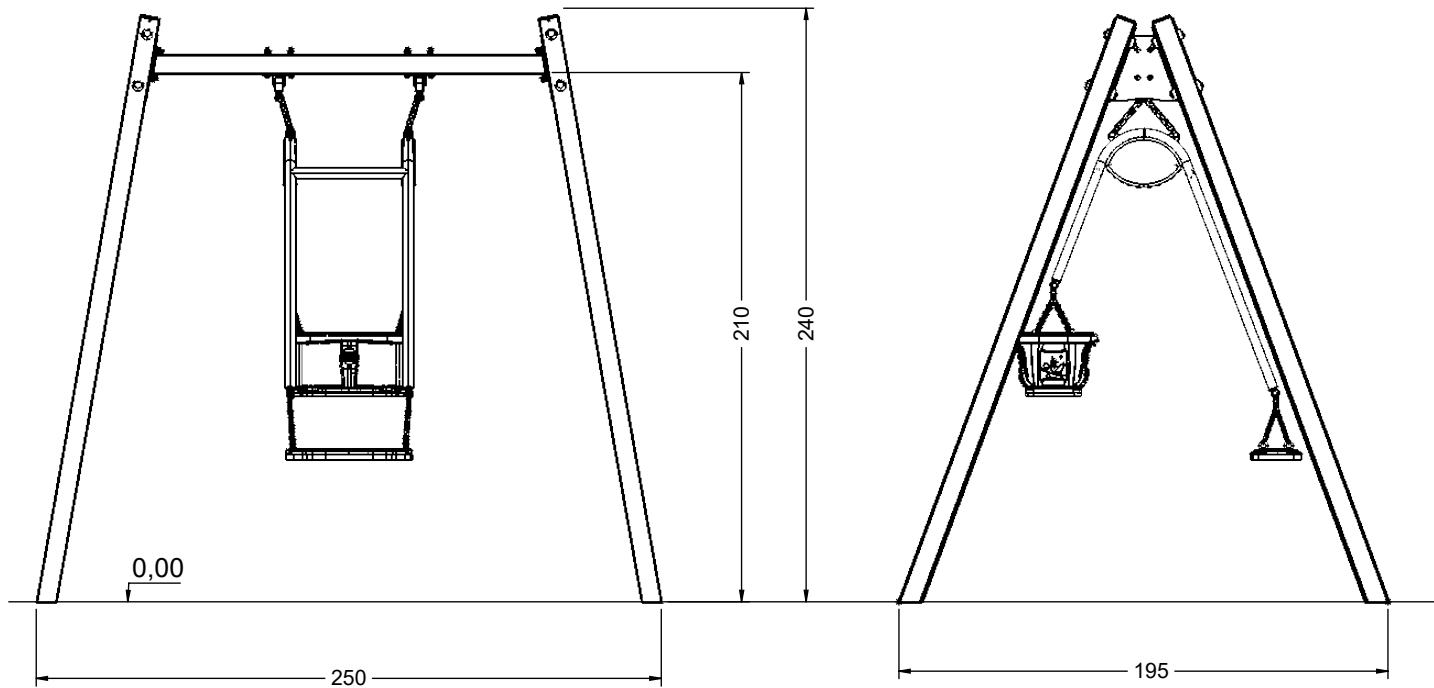


vinci
play



[cm]

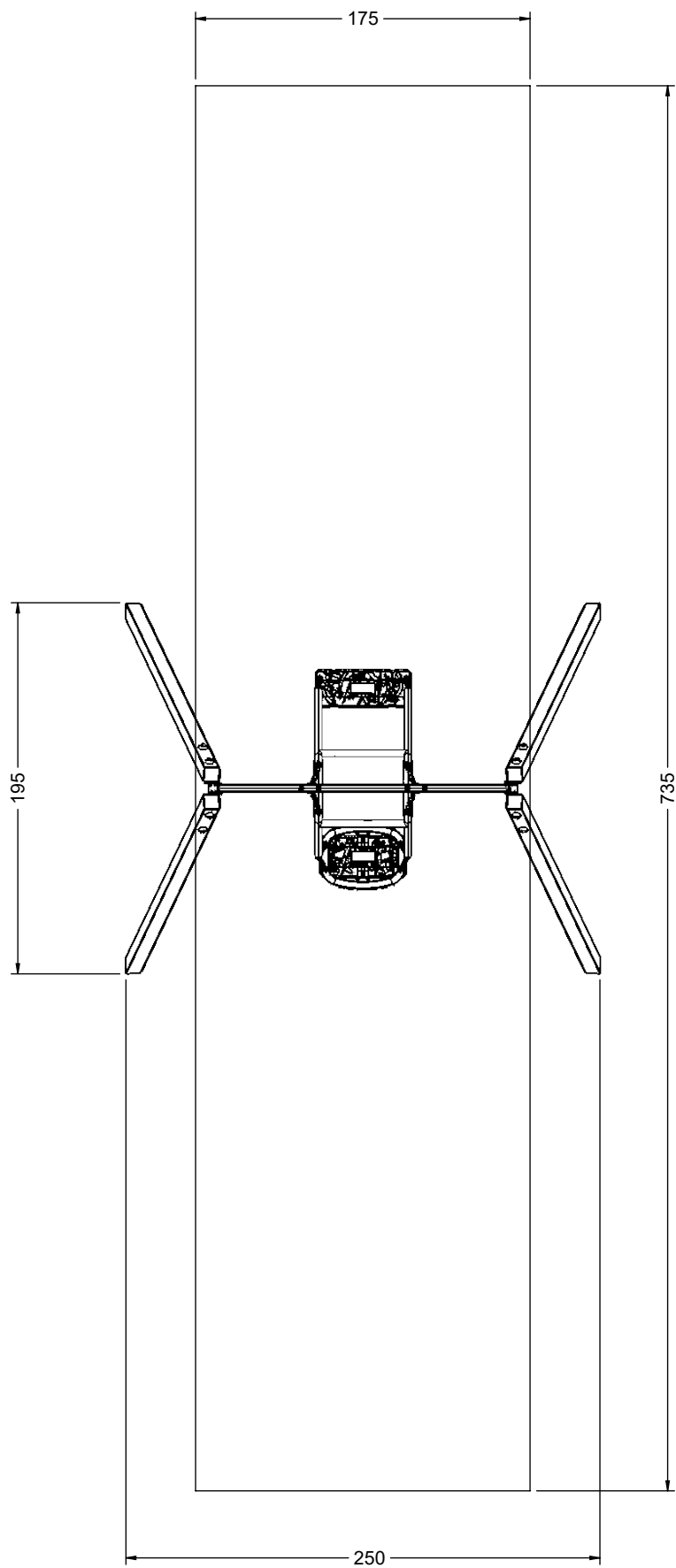
vinci
play



[cm]



vinci
play

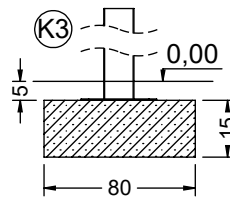
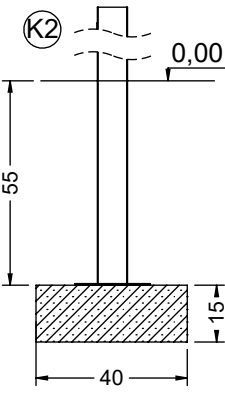
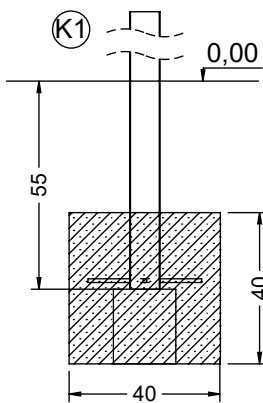
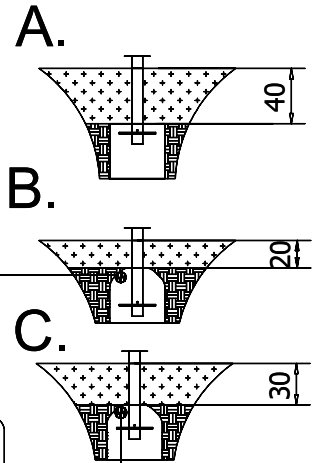
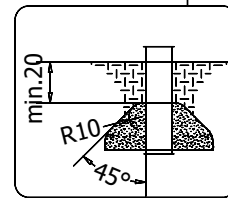
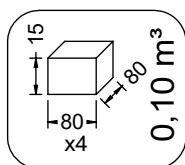
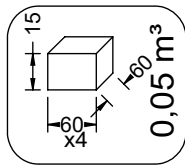
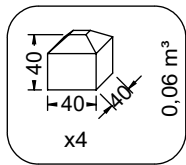
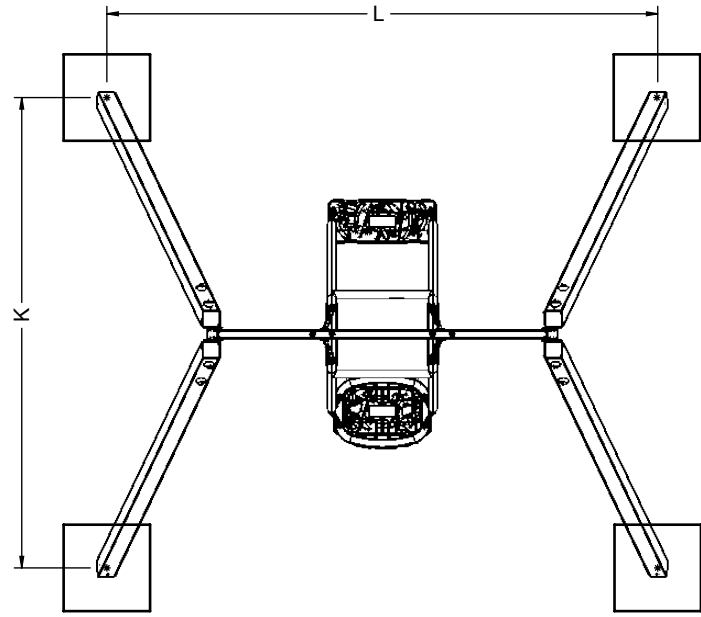


[cm]

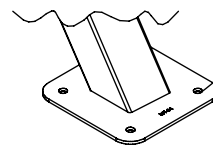
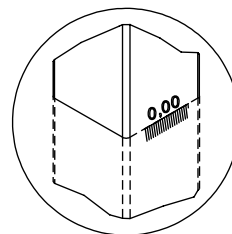


vinci
play

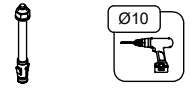
	K, cm	L, cm
K1	218	255
K2	225	259
K3	188	241



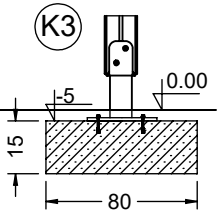
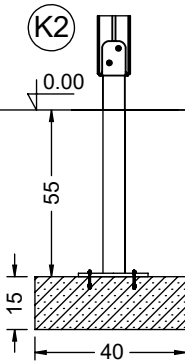
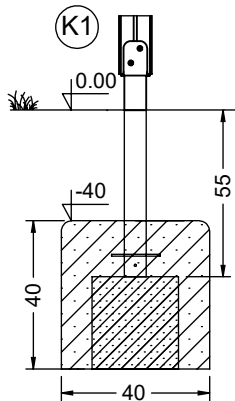
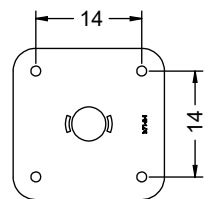
ST0520



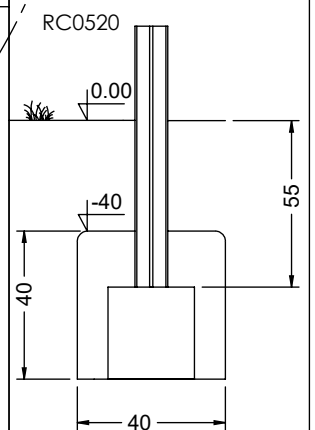
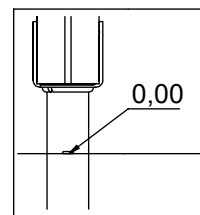
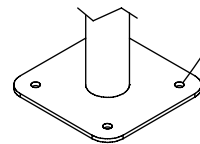
16x M10x120 (K2)
16x M10x120 (K3)



NOT INCLUDED



WD0520



[cm]



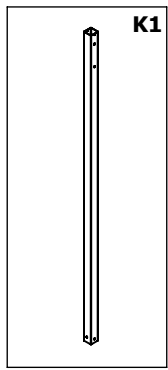
2h



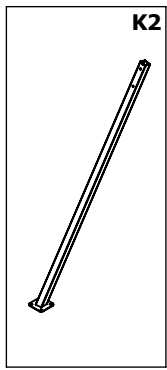
48h



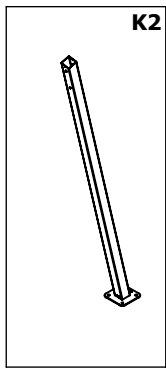
vinci play



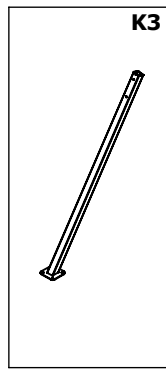
054103
x4



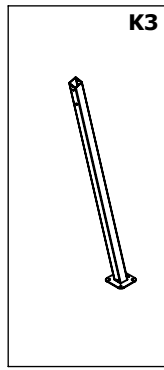
052112
x2



052113
x2



052115
x2



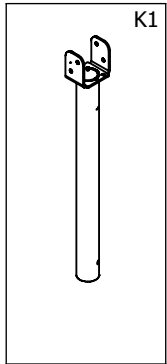
052116
x2

ST0520

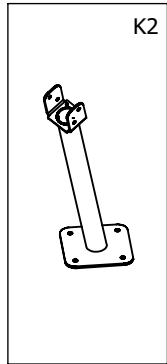
ST0520	
1x	E60
2x	E64
1x	E194
1x	V002



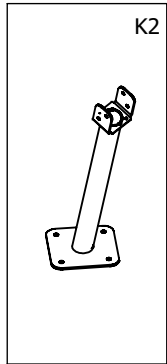
14724290
x4



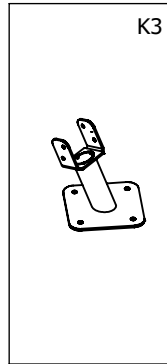
142102
x4



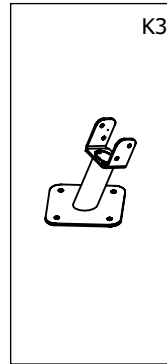
142128
x2



142129
x2



142127
x2



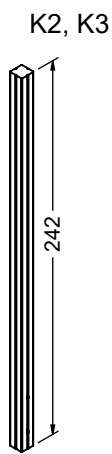
142124
x2

WD0520

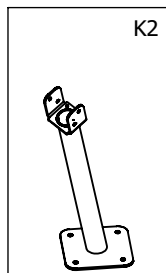
WD0520	
1x	E60
2x	WD62
1x	E194
16x	8x50 sxi
4x	WD1
1x	V001



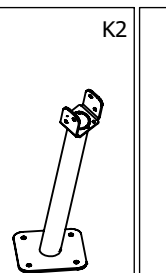
14930790
x4



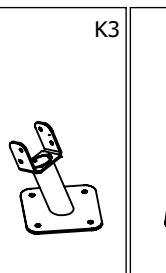
14924290
x4



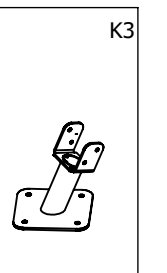
142128
x2



142129
x2



142127
x2



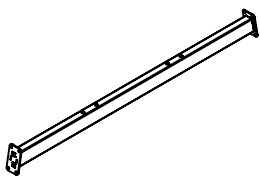
142124
x2



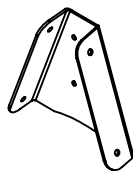
141501
x2

RC0520

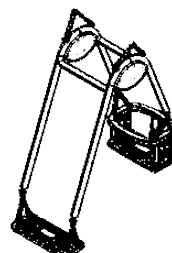
RC0520	
1x	E60
2x	WD62
1x	E194
16x	8x50 sxi (K2, K3)
8x	8x50 sxi
4x	WD1
1x	V001



052127
x1



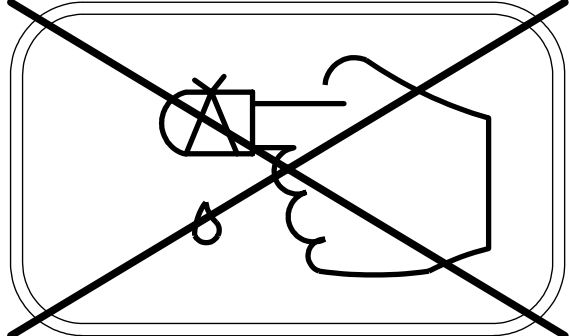
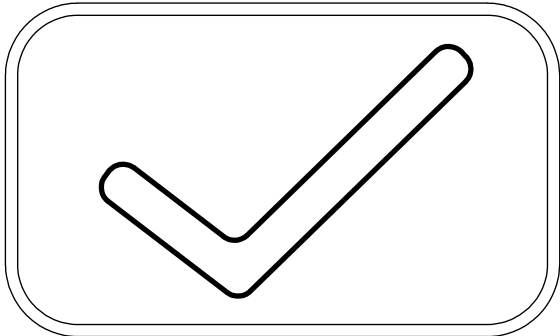
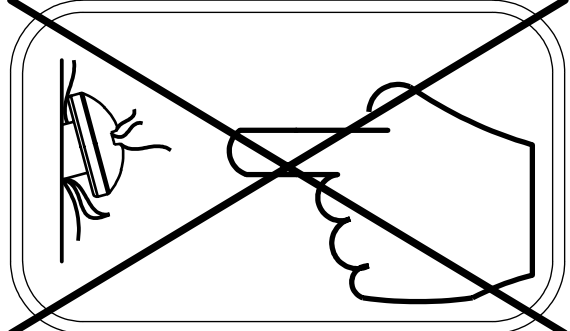
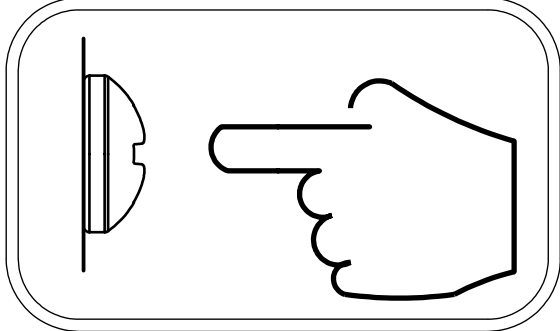
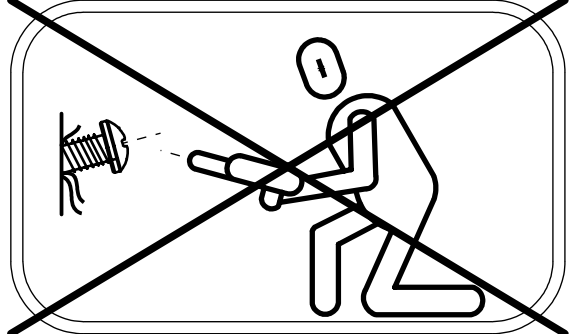
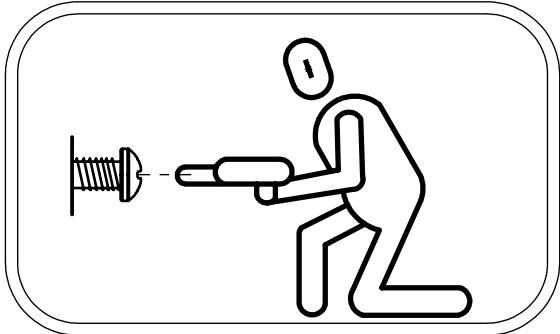
b66-5
x2



996226
x1

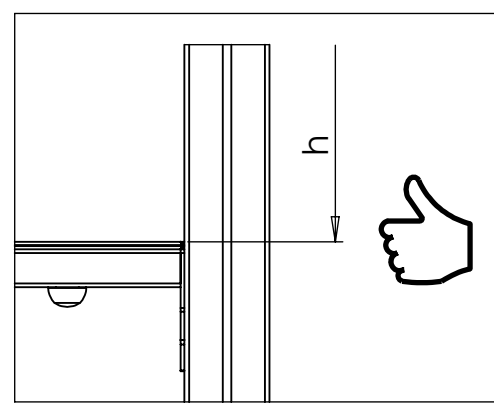
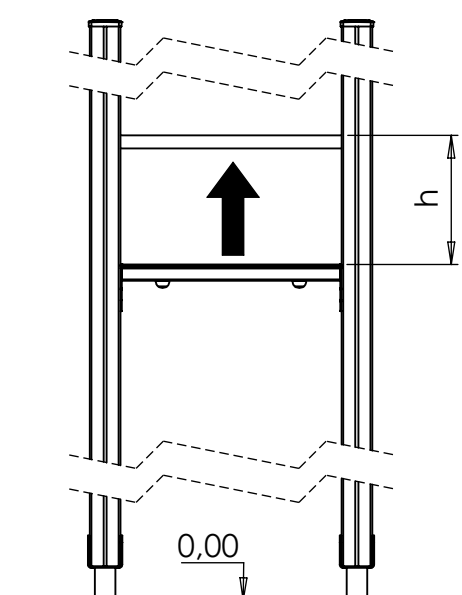
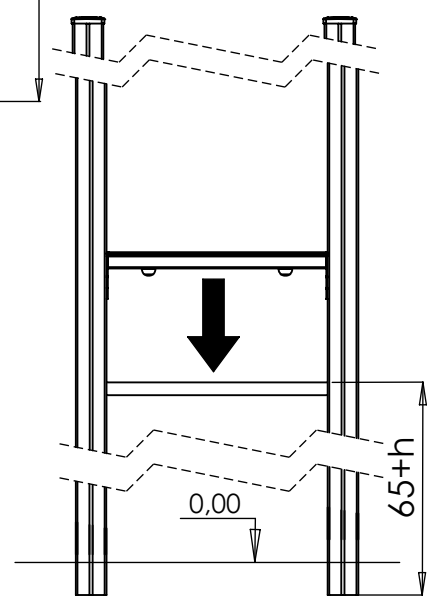
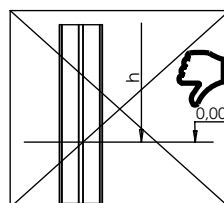
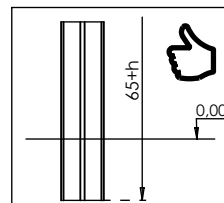
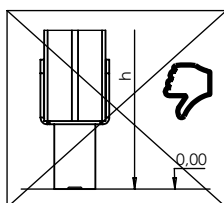
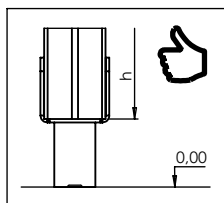
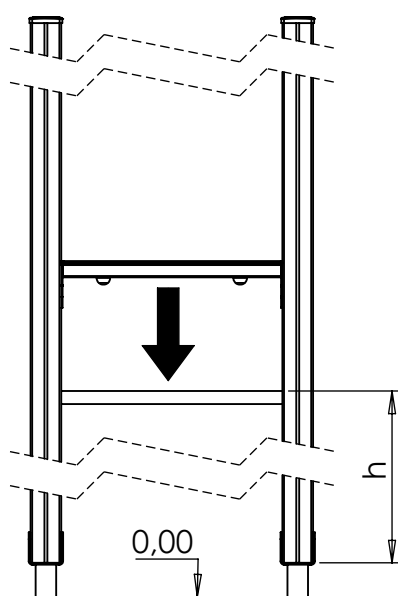
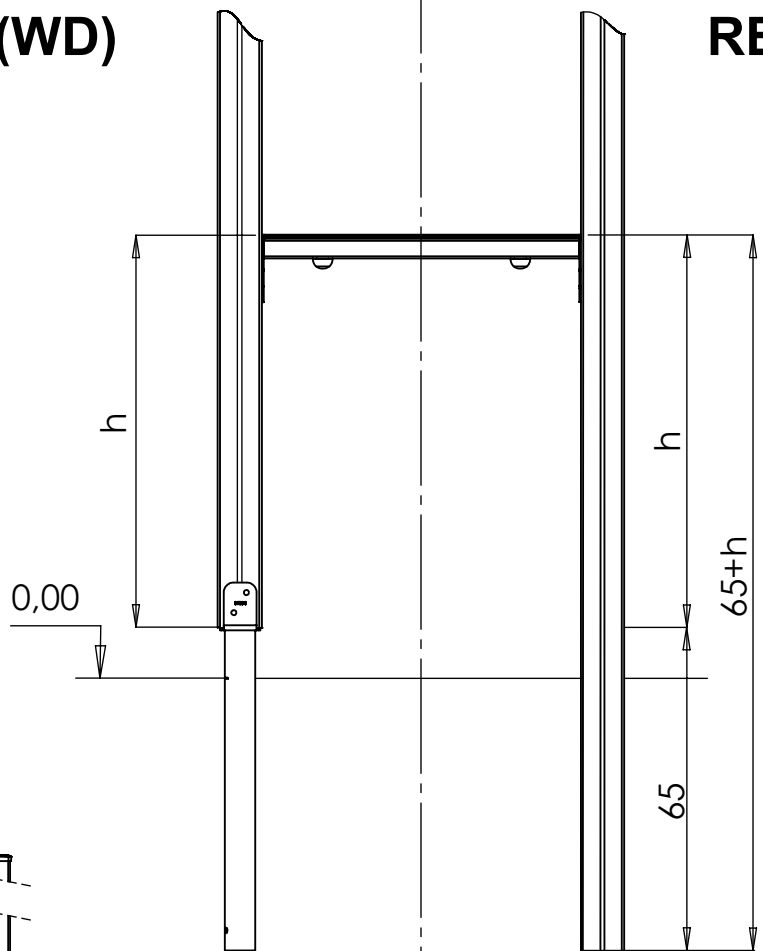
[cm]

vinci
play



WOOD - (WD)

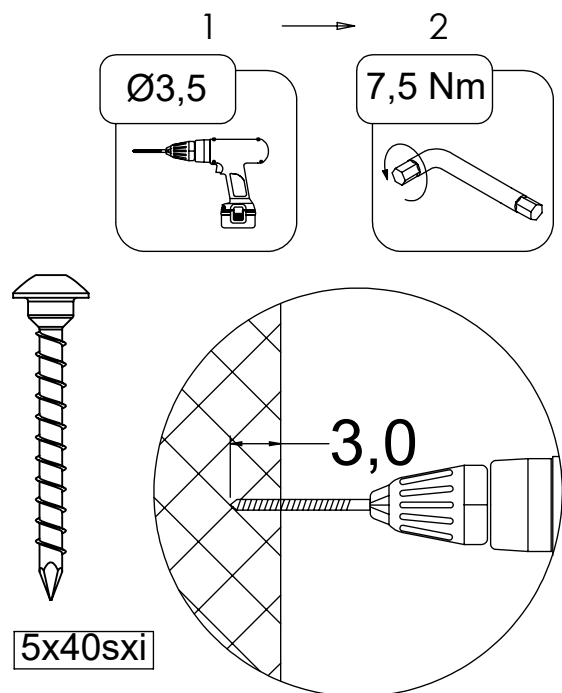
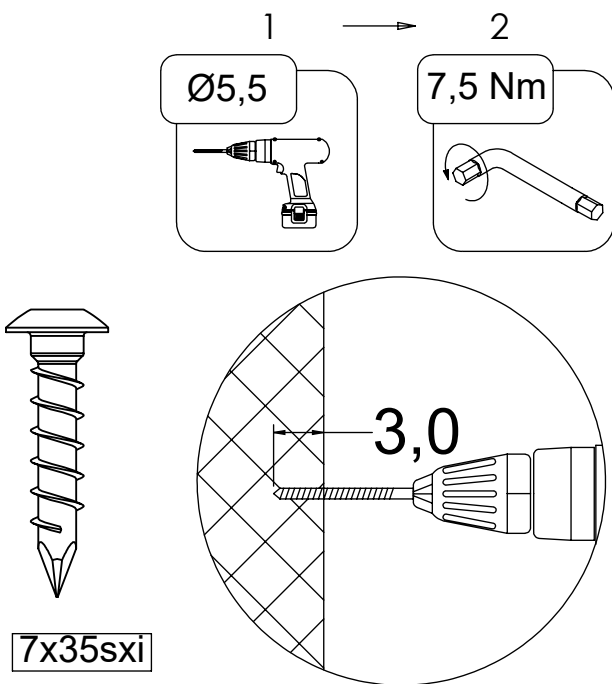
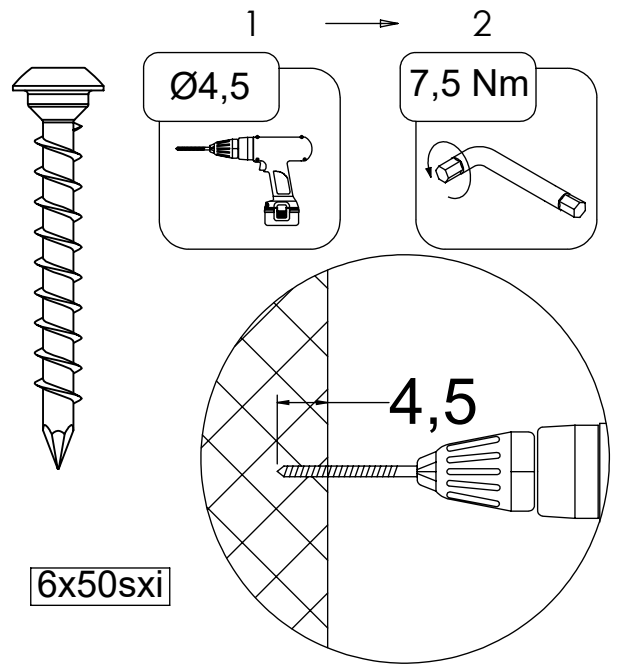
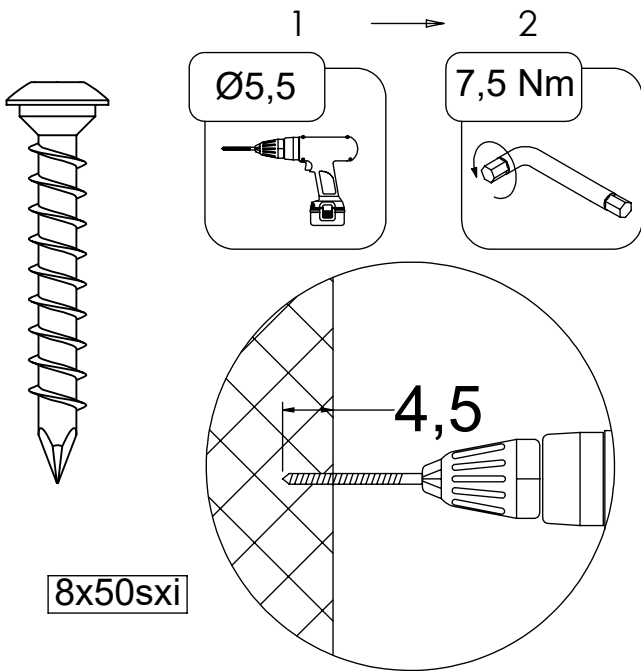
RECYCLED - (RC)



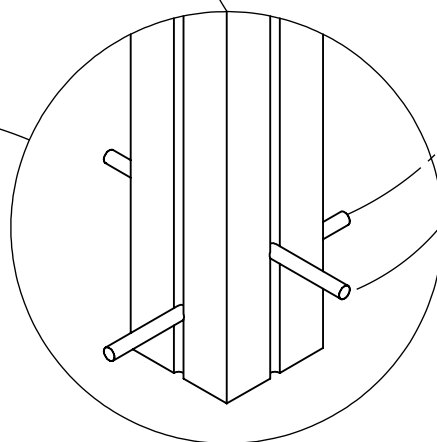
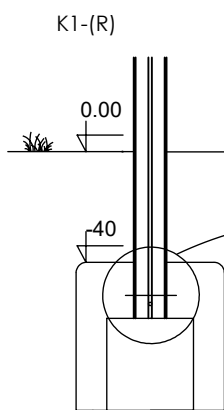
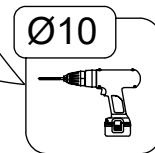
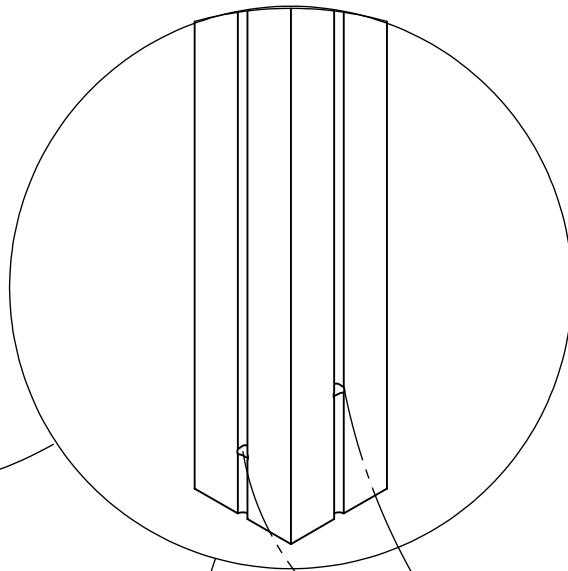
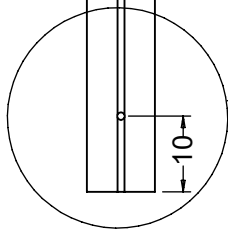
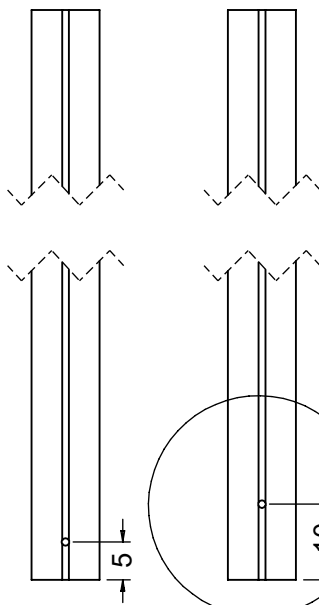
[cm]

vinci play

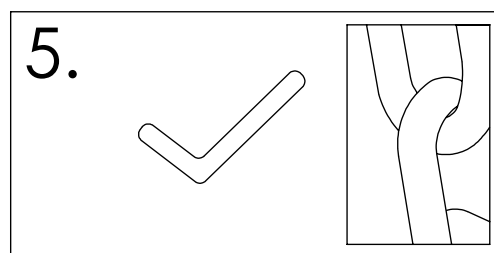
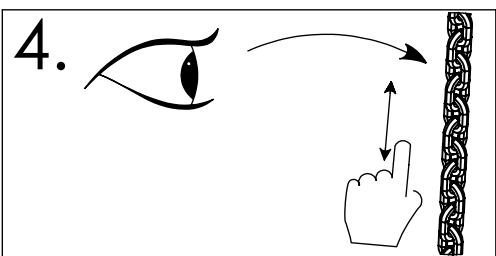
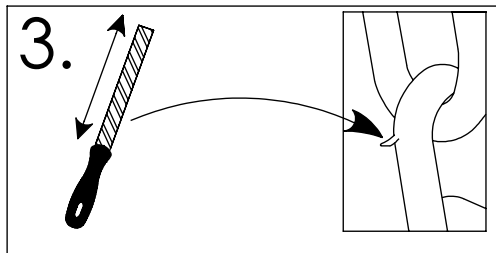
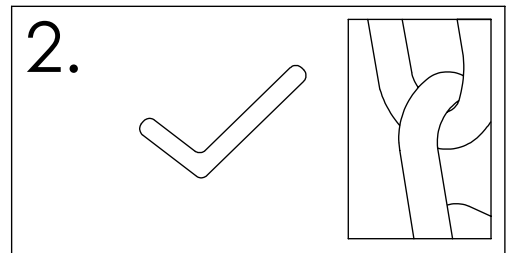
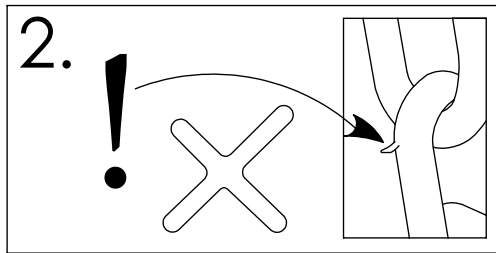
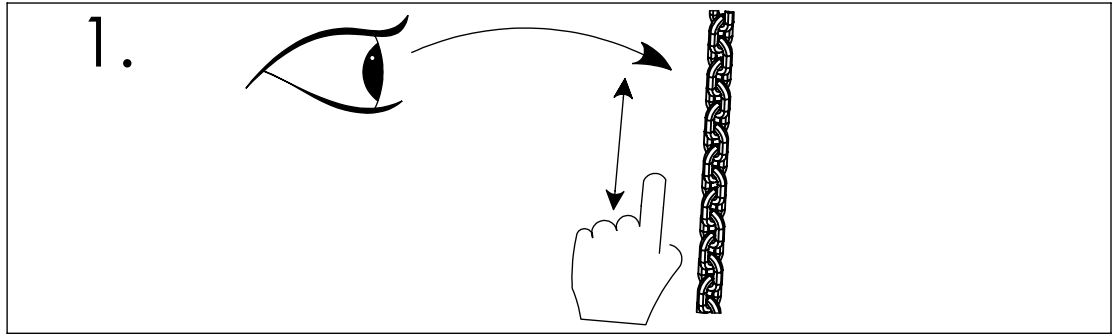
RC!

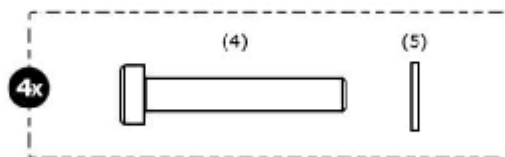
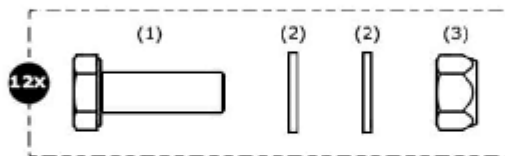
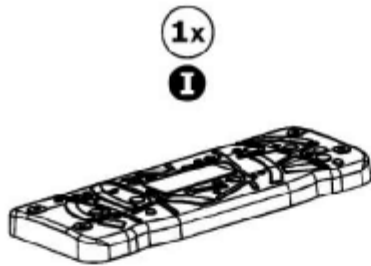
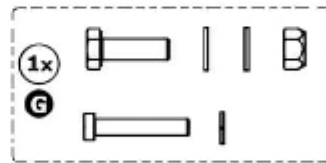
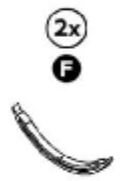
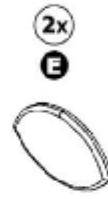
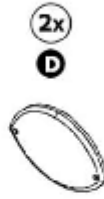
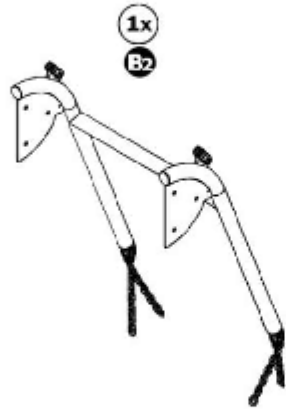


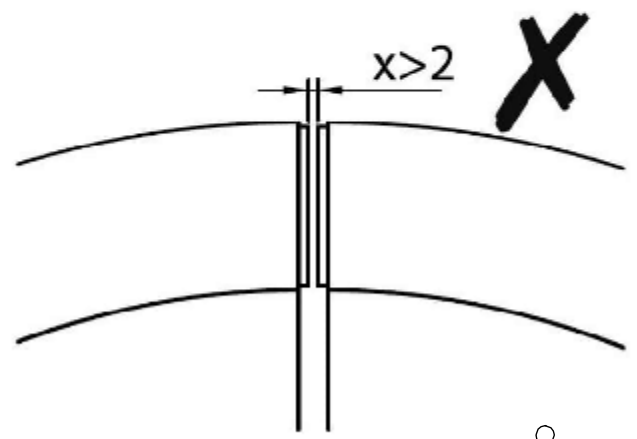
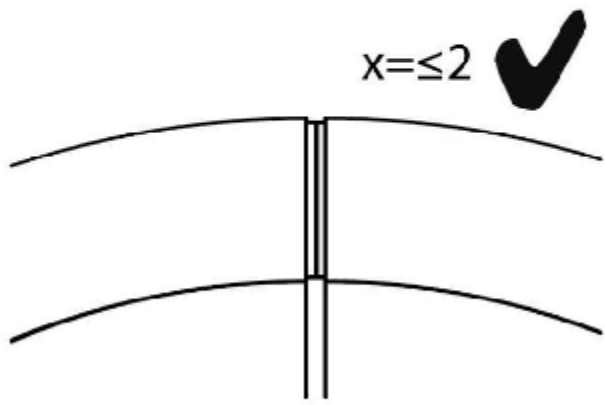
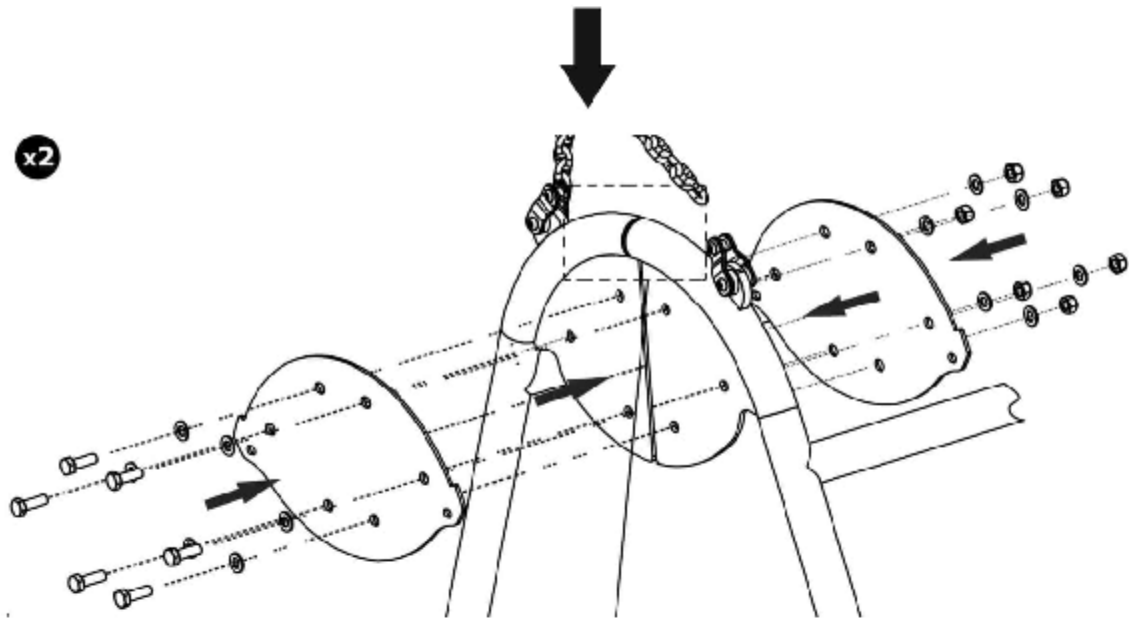
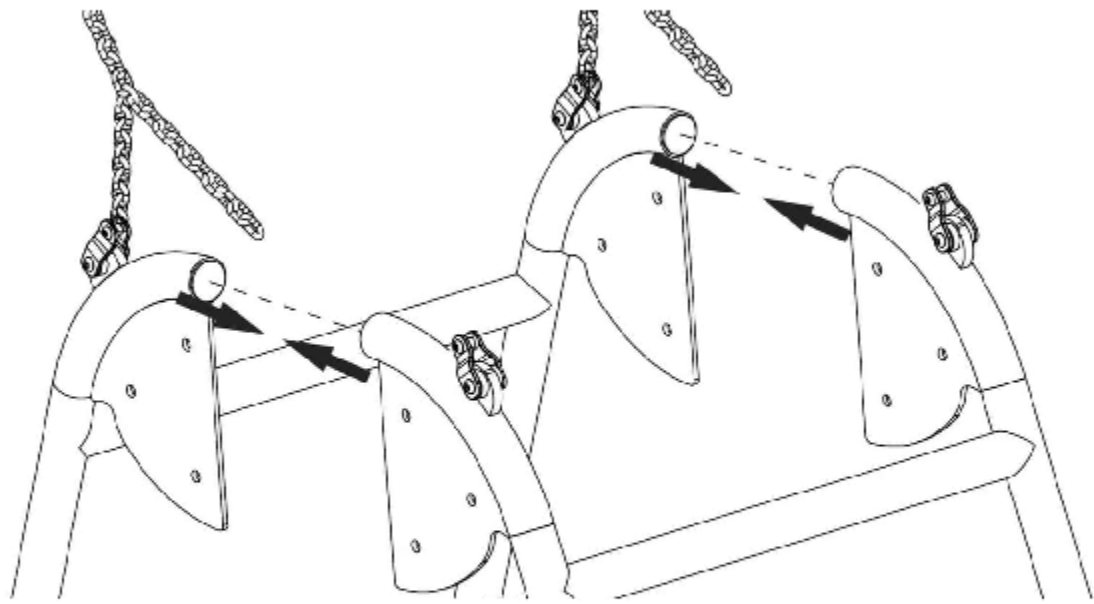
RC!



REINFORCING BAR
Ø8mmx180mm



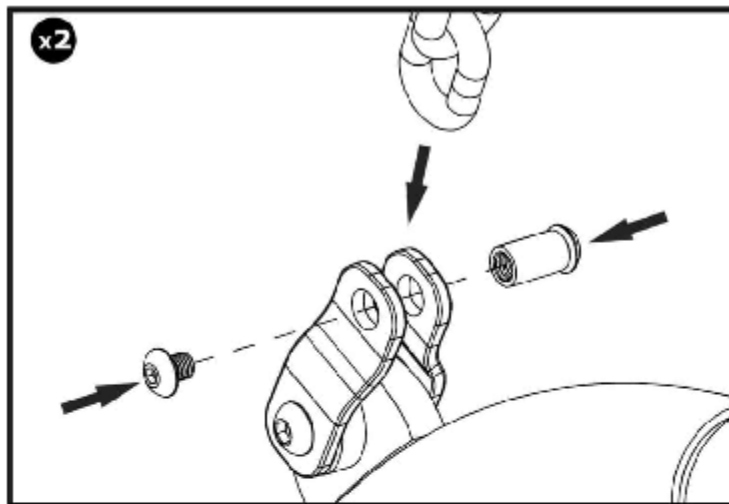
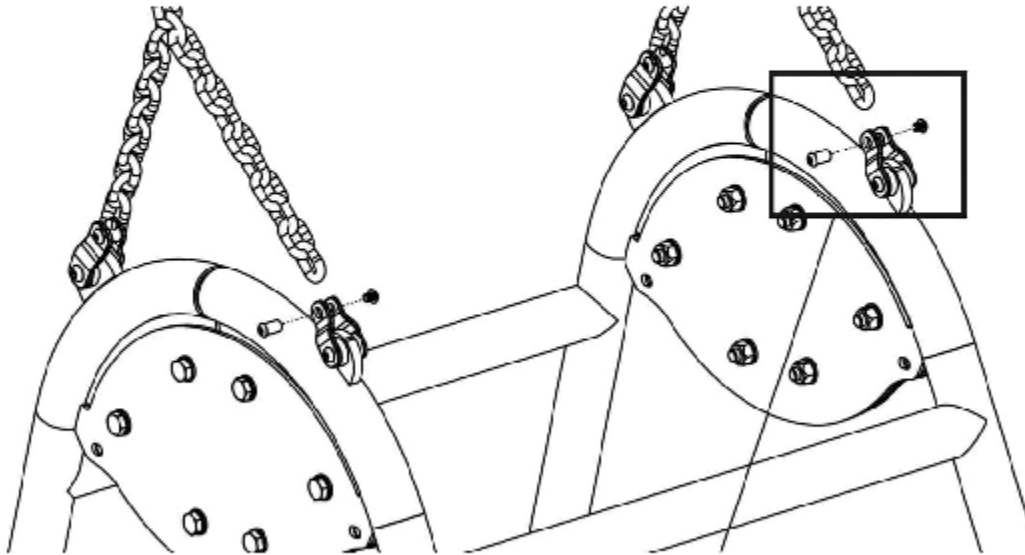




[cm]

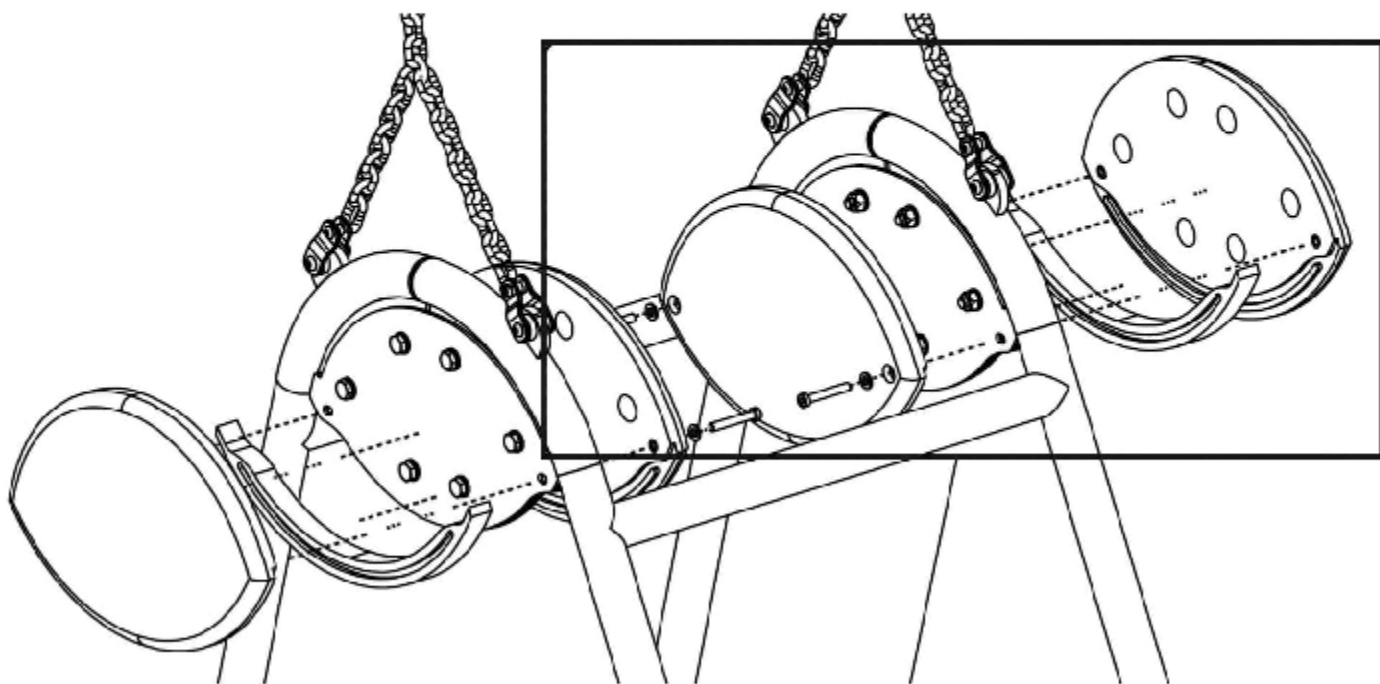
vinci
play

2 1xH

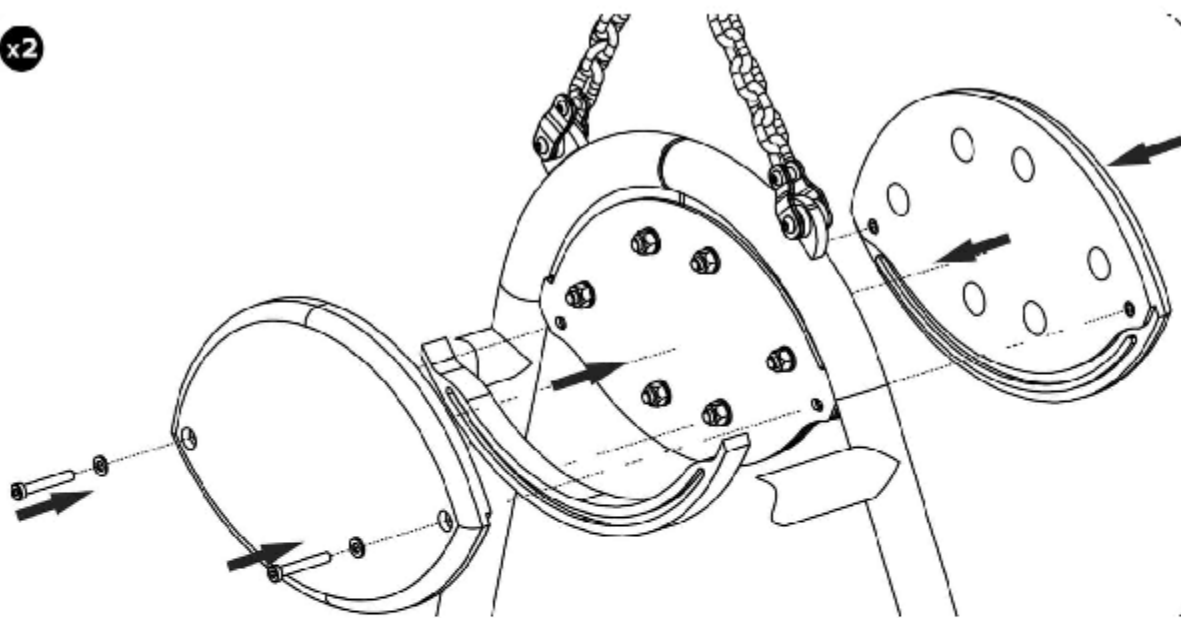


[cm]

vinci
play

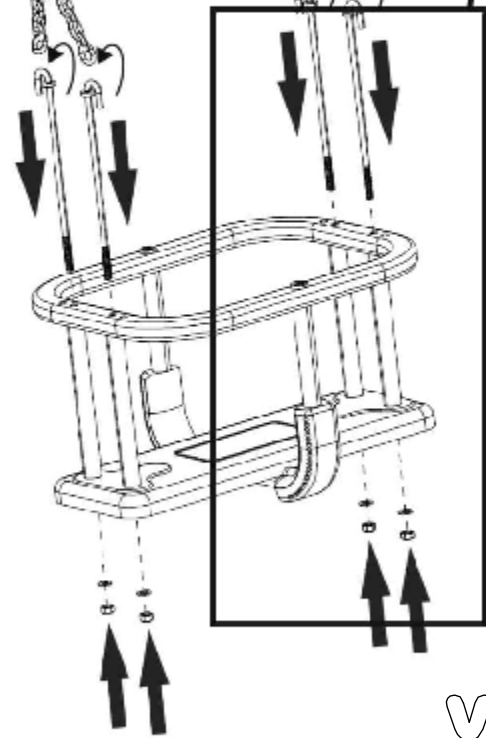
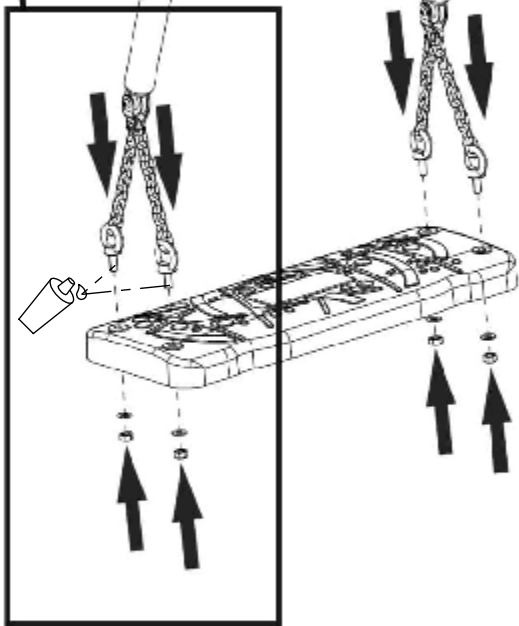
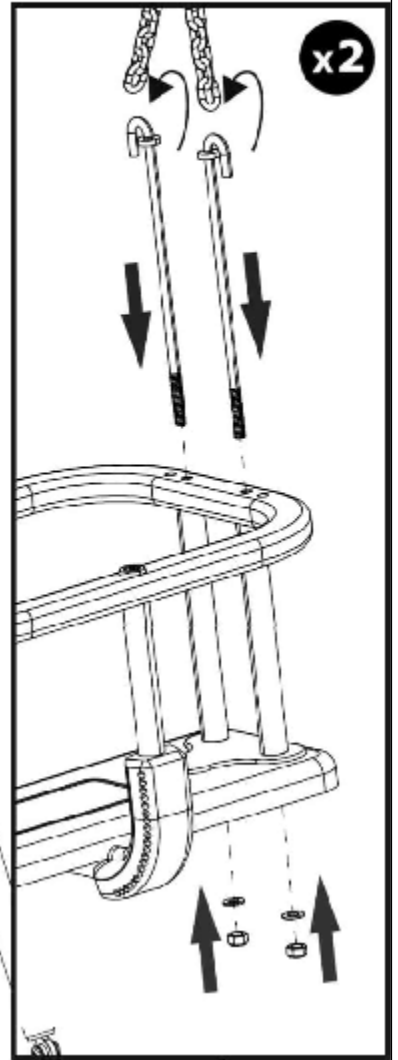
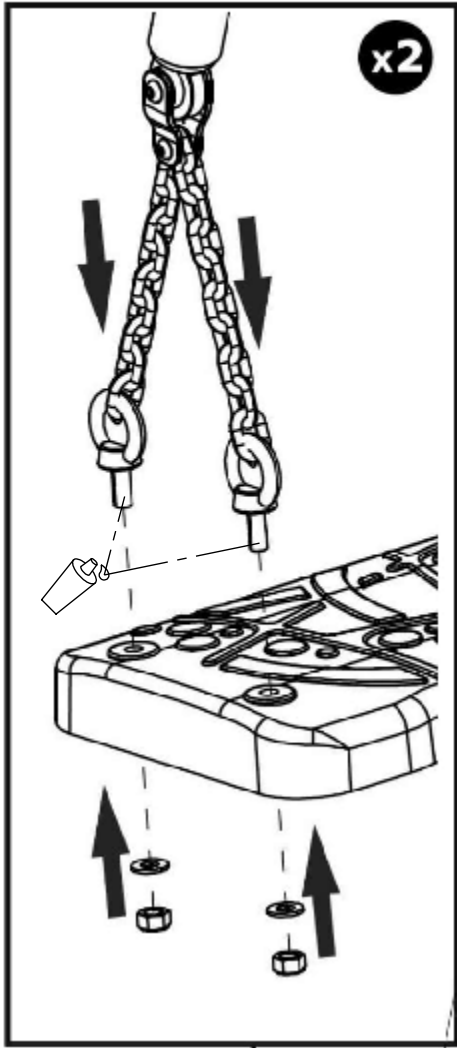


x2

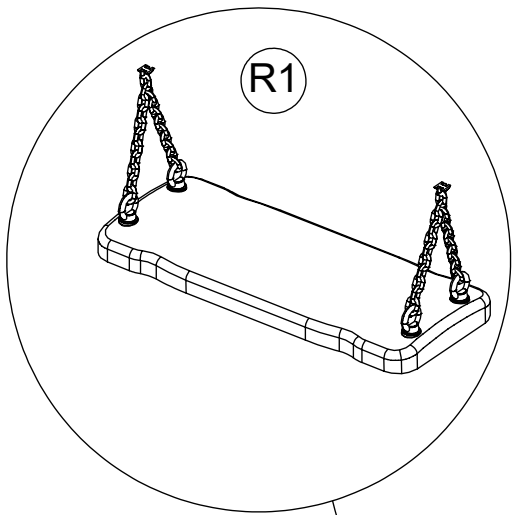


[cm]

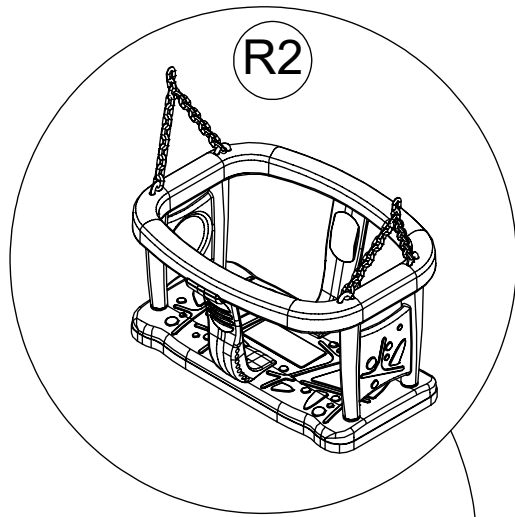
vinci
play



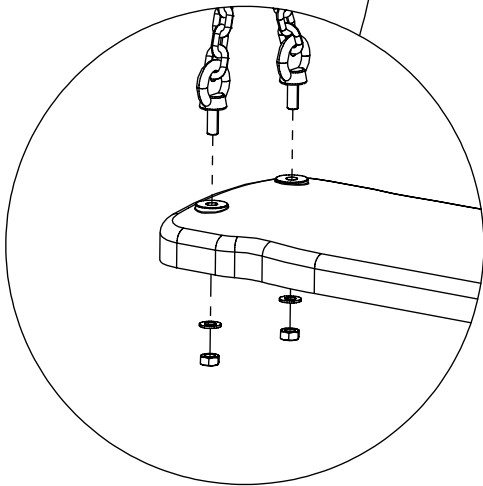
vinci
play



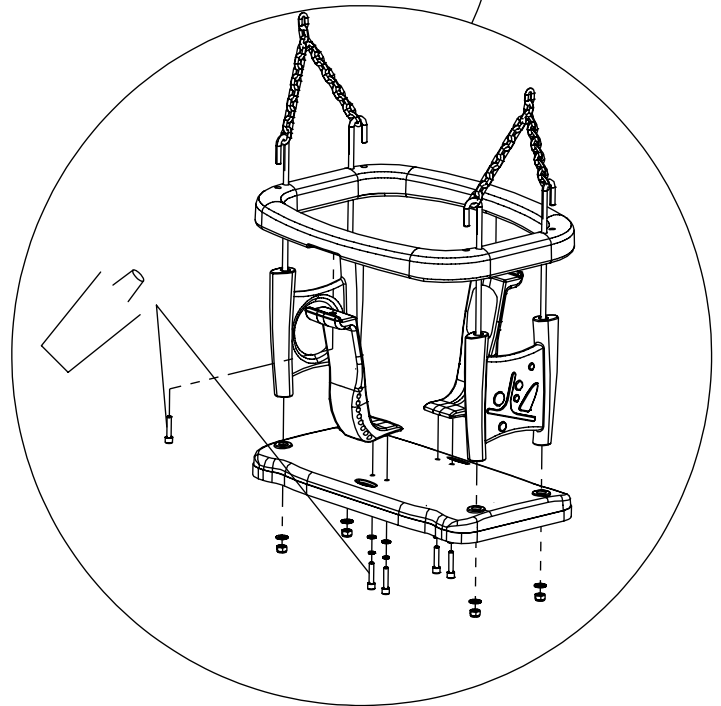
R1



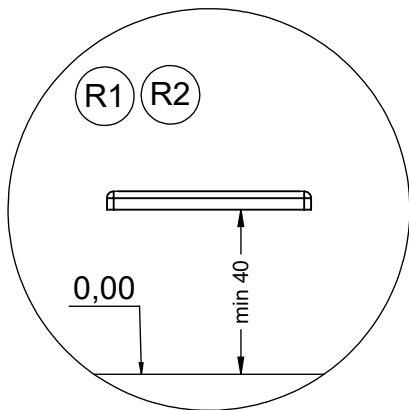
R2



E164



E165

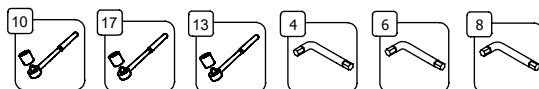


R1

R2

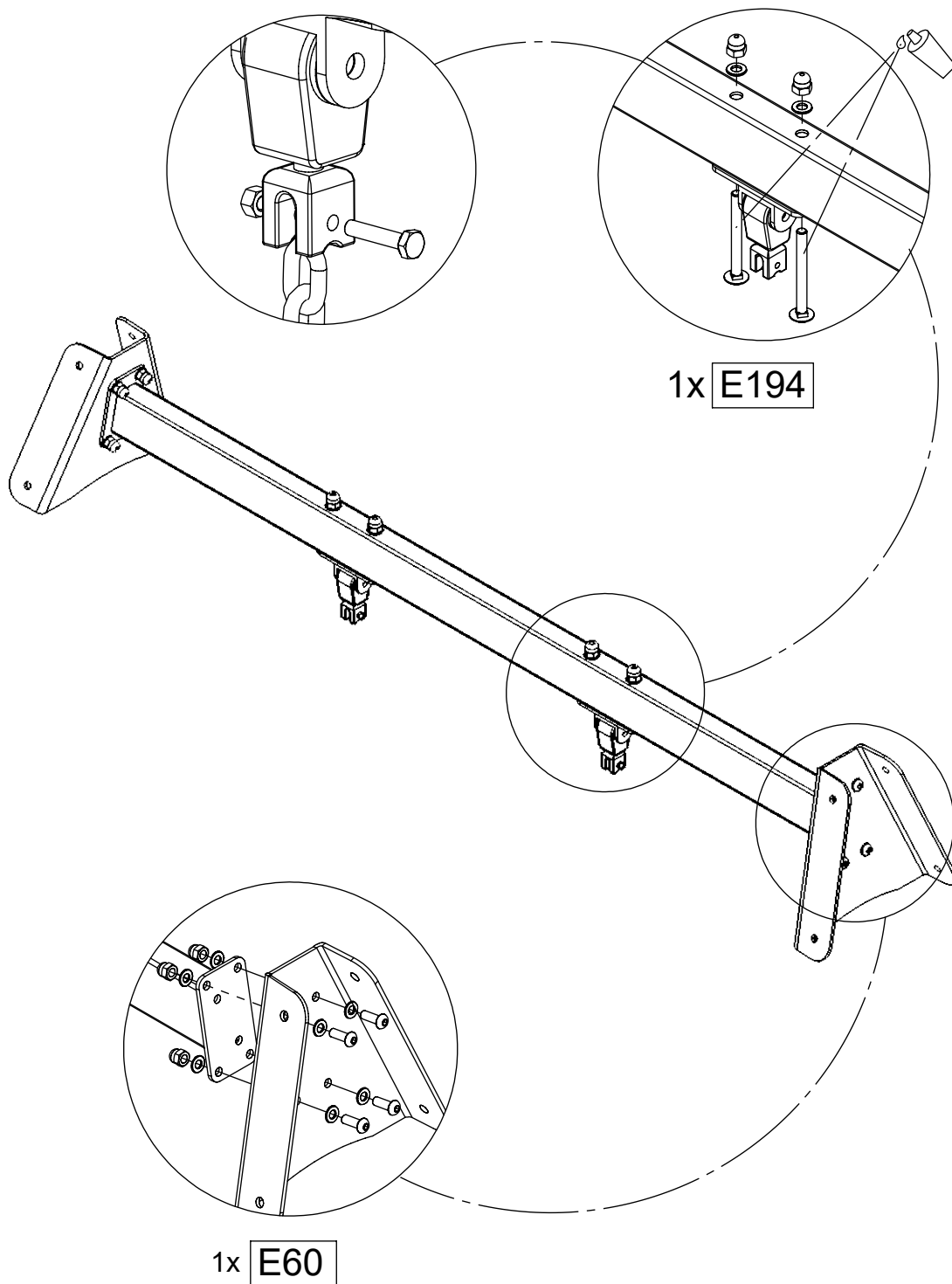
0,00

min 40



[cm]

vinci play

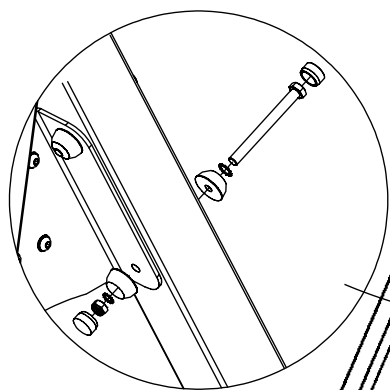


[cm]

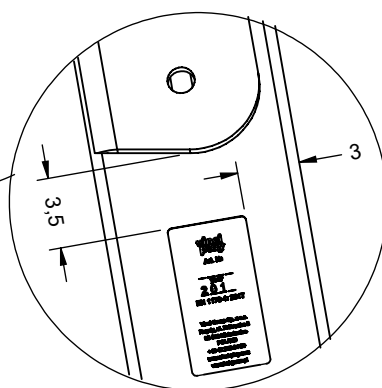


vinci
play

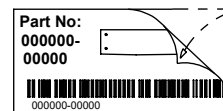
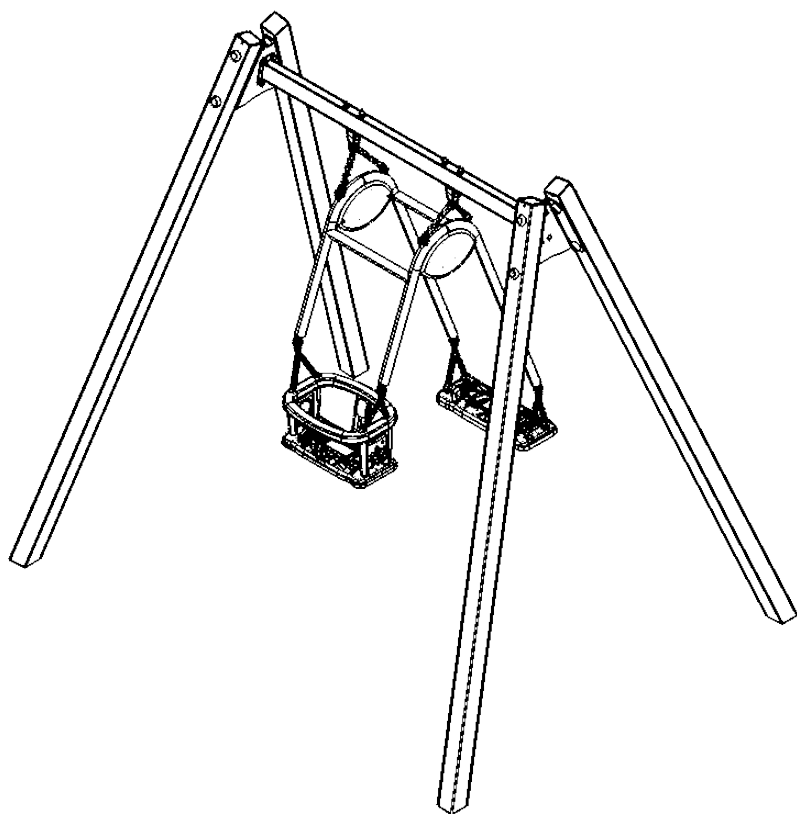
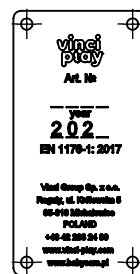
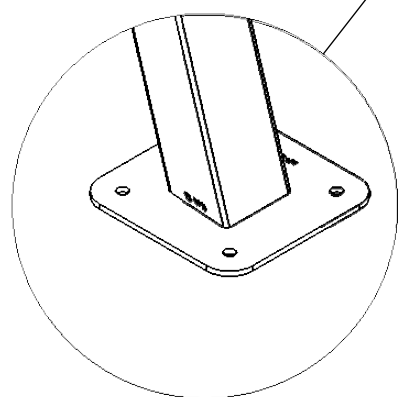
ST



2x E64



V002

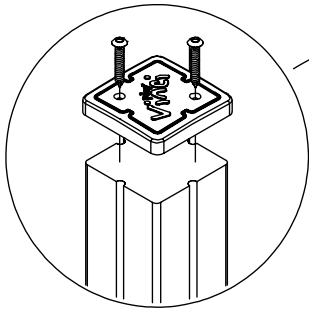


[cm]

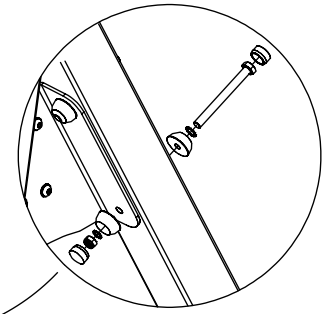


vinci
play

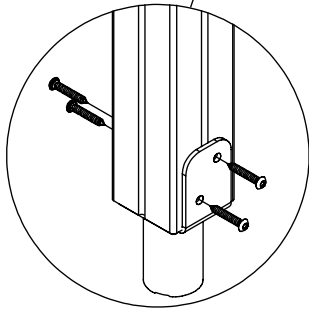
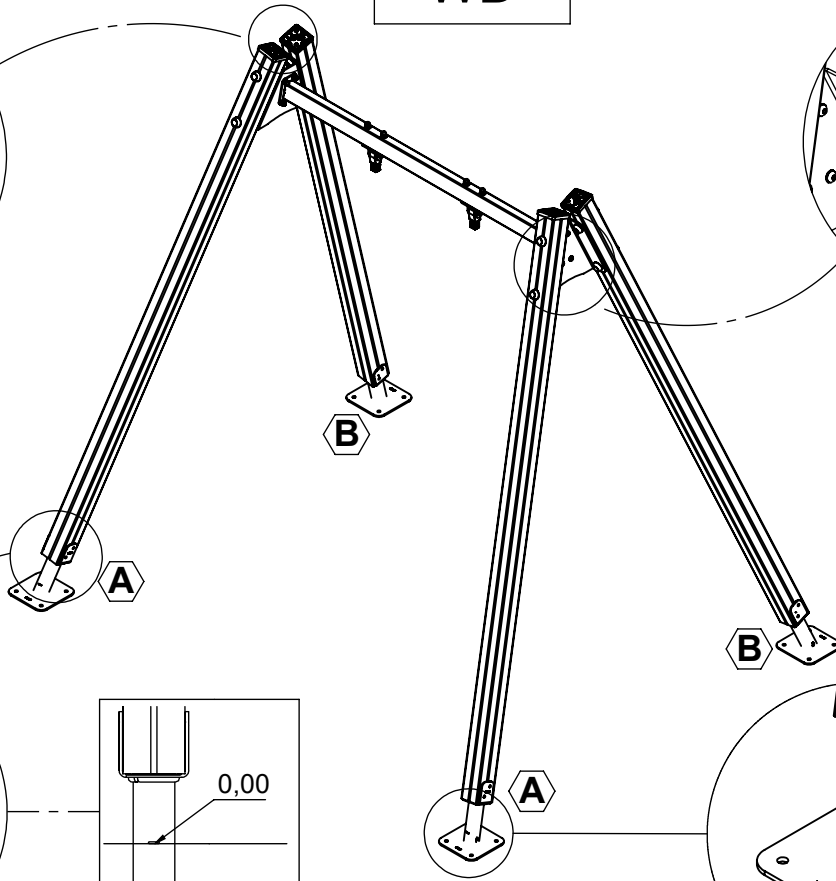
WD



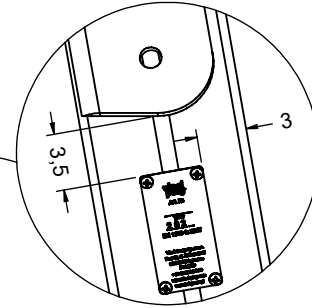
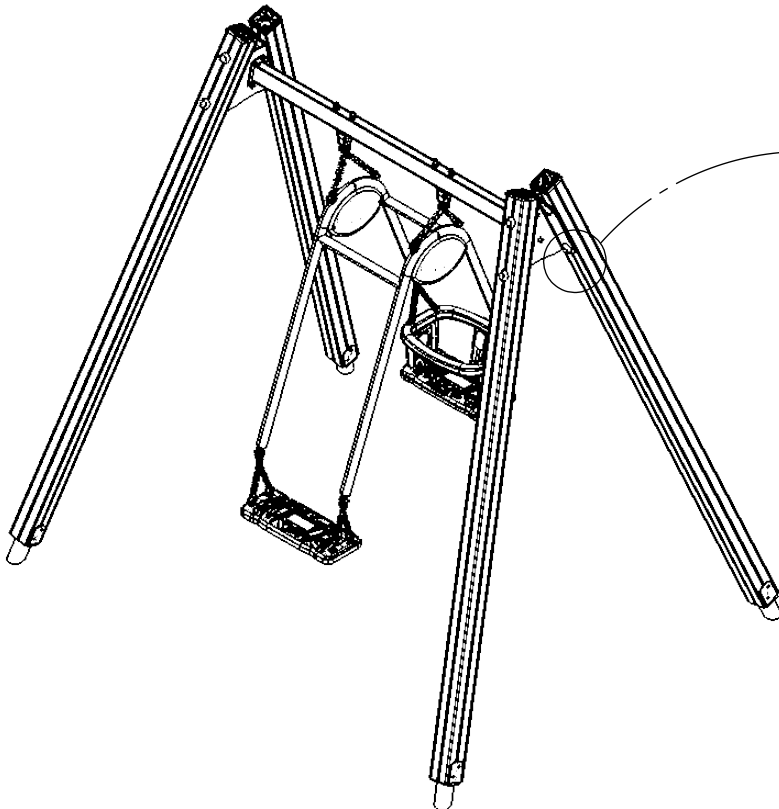
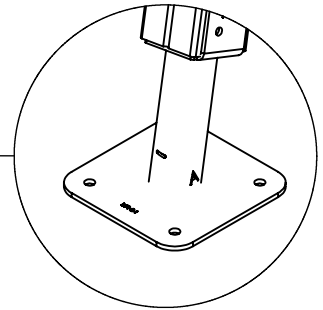
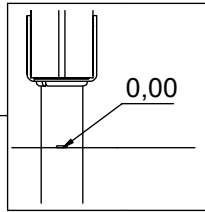
4x WD1



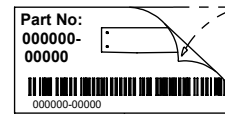
2x WD62



8x50 sxi



1x V001

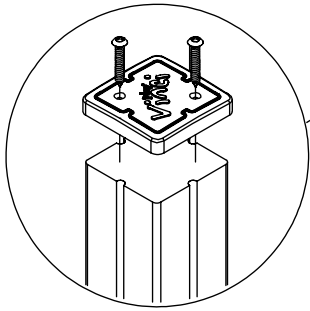


[cm]

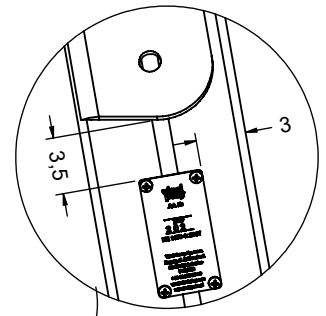


vinci play

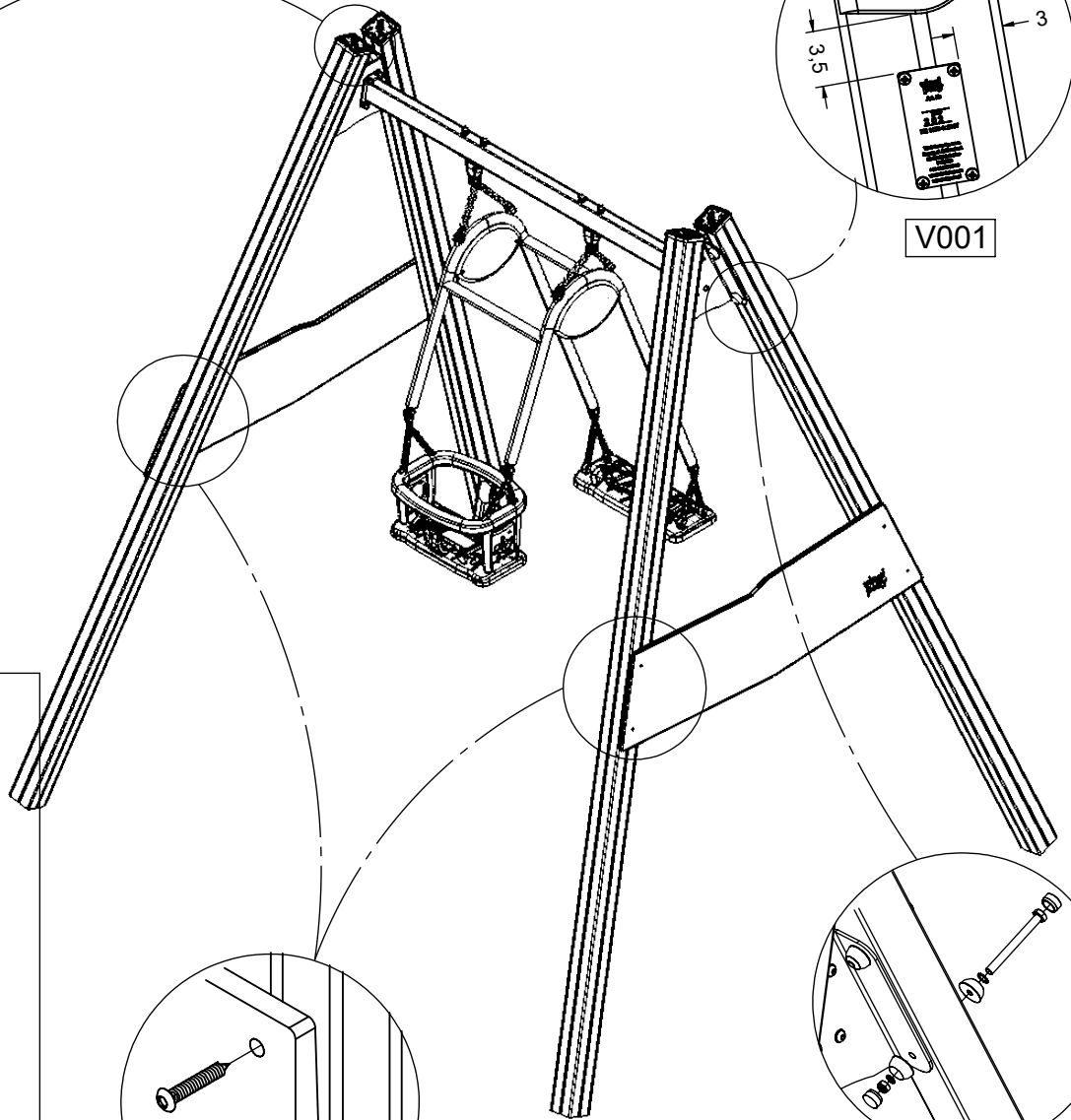
RC



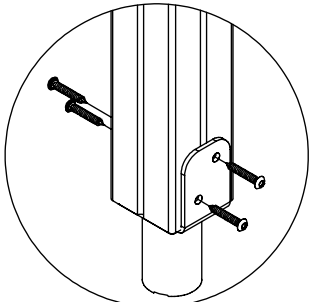
WD1



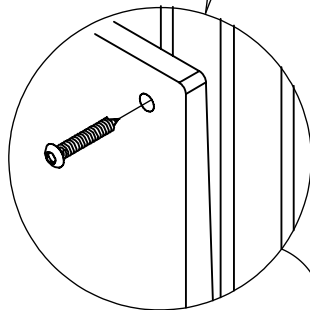
V001



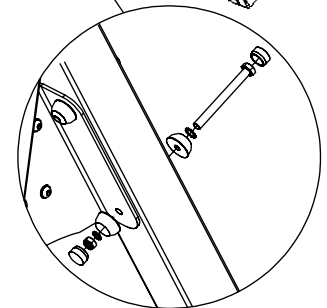
K2, K3



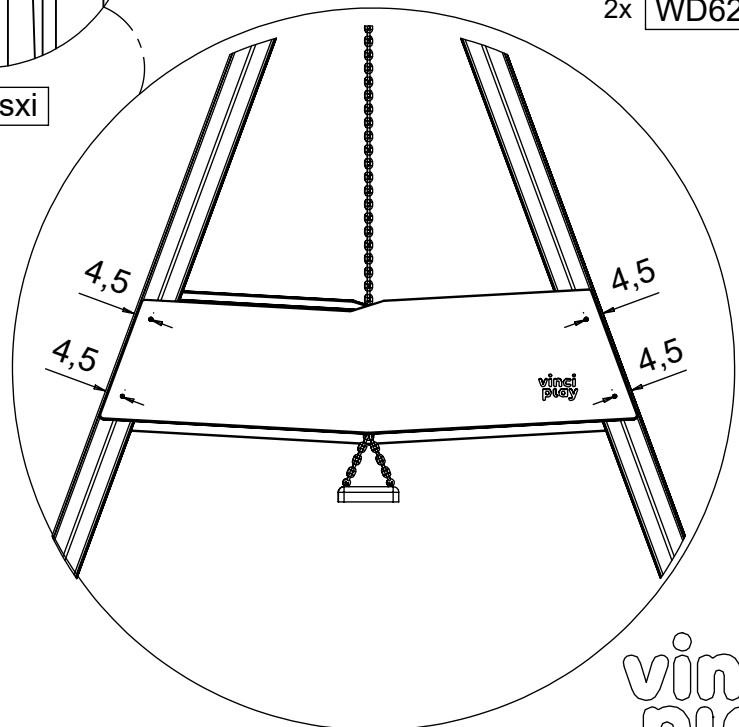
8x50 sxi



8x50 sxi



2x WD62



[cm]

vinci
play