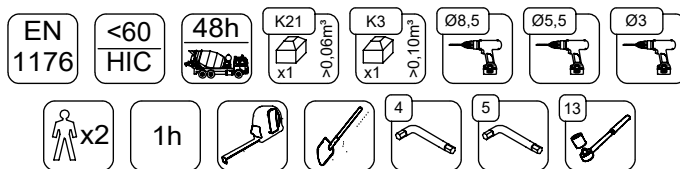
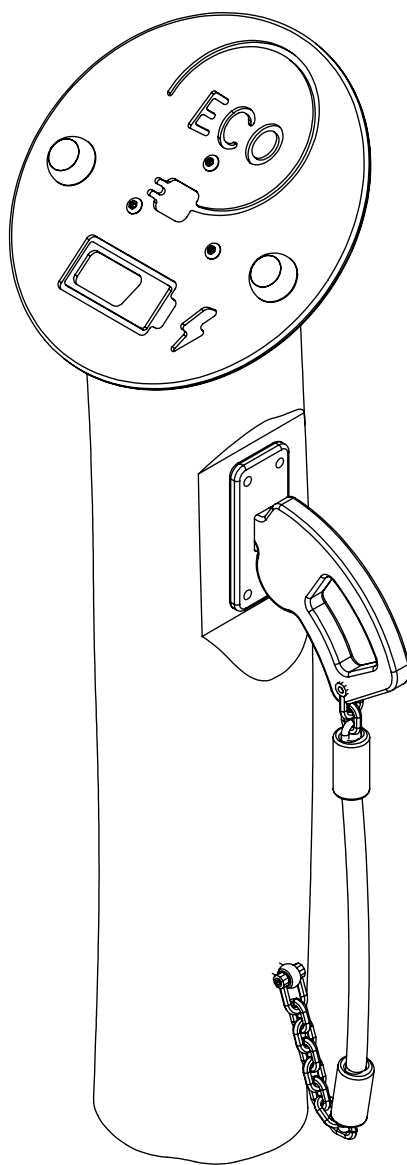
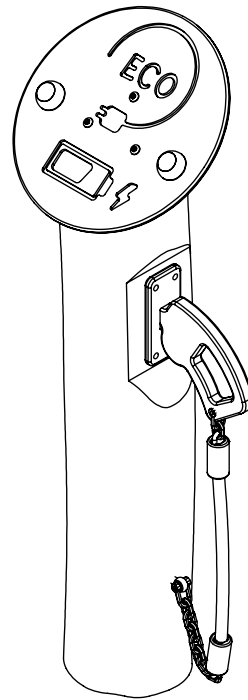
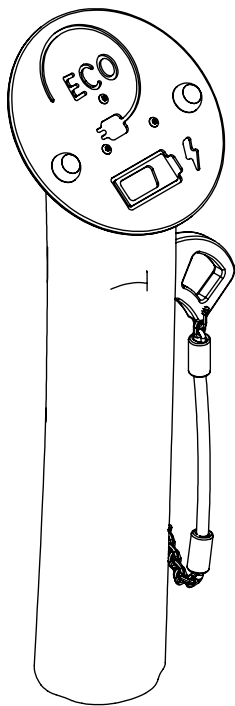
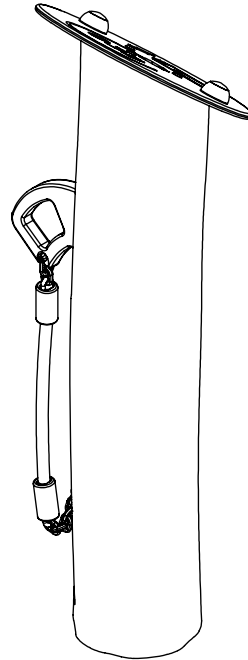
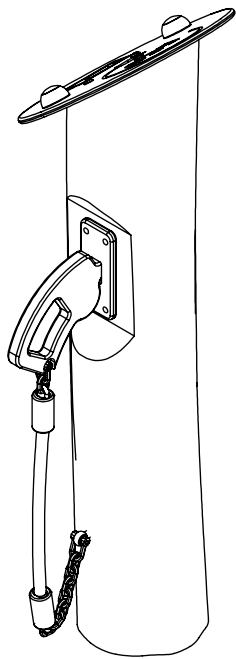


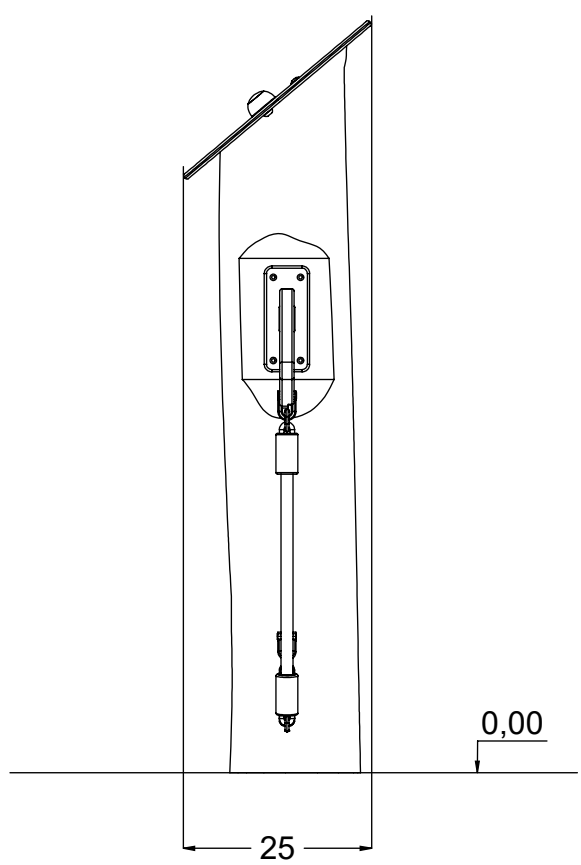
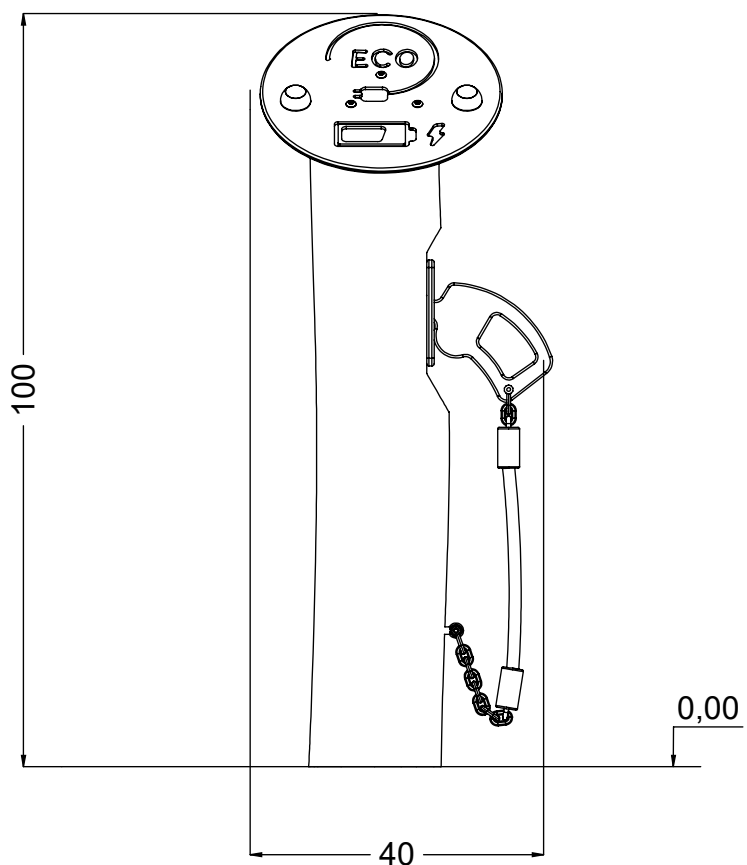
# RB1337



v011  
13.11.2023  
K.M.  
[cm]

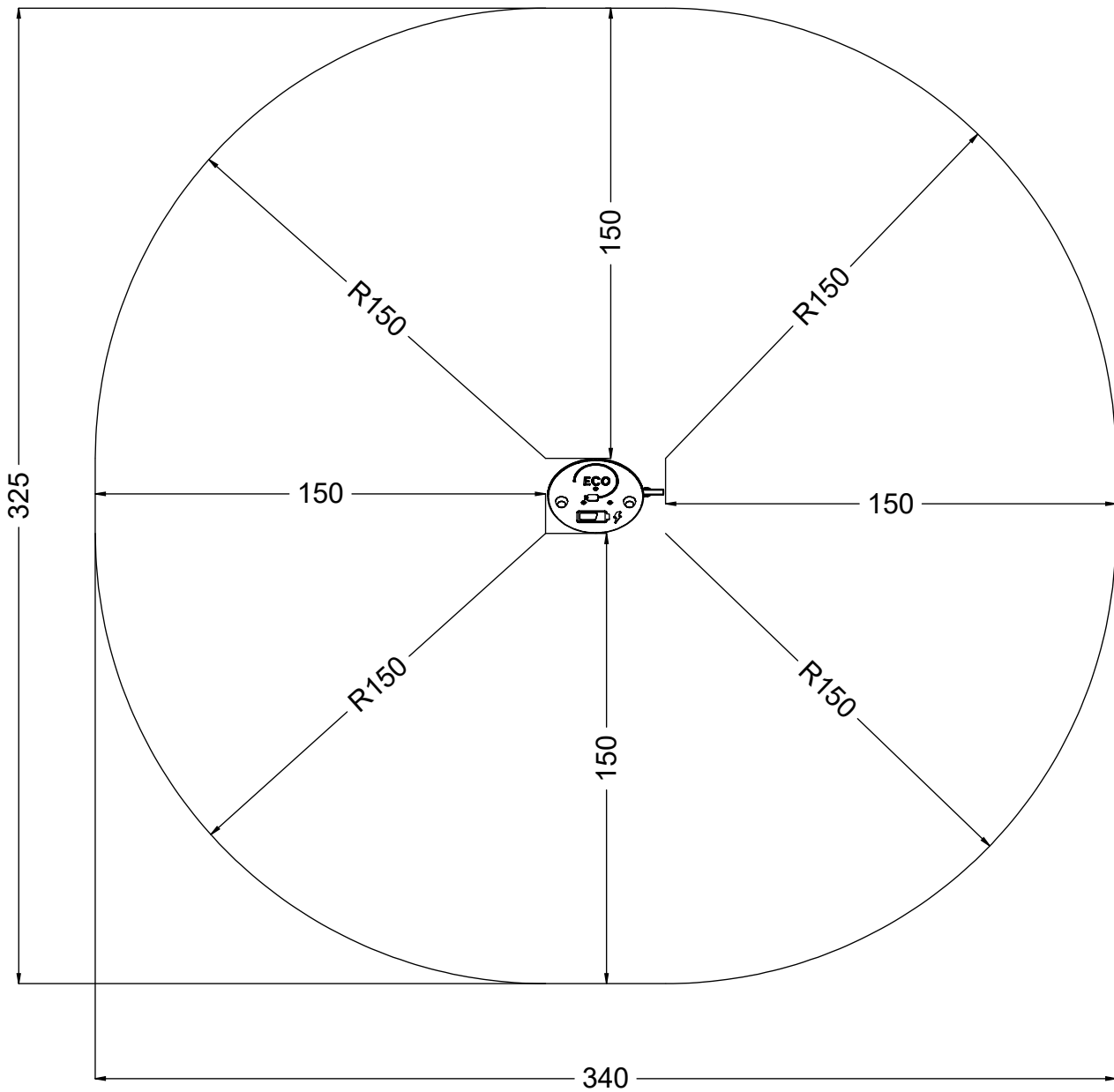
vinci  
play





[cm]

vinci  
play

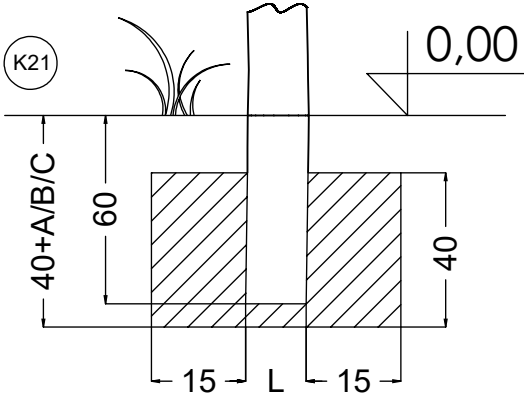


[cm]

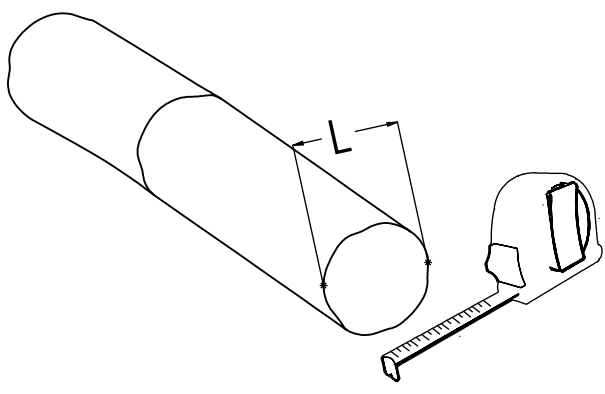
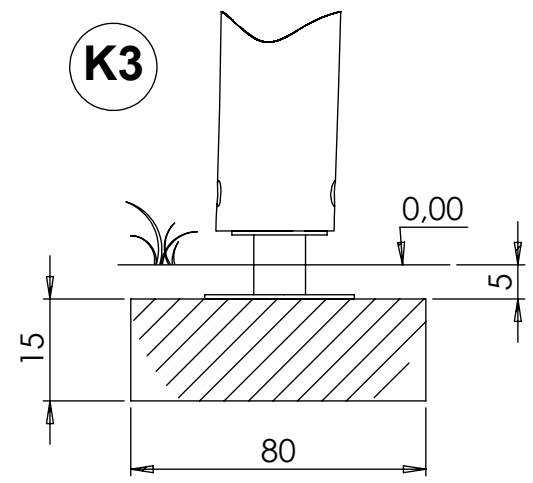


vinci  
play

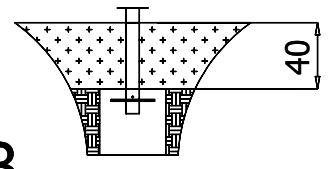
48h



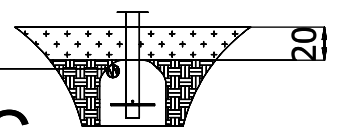
K3



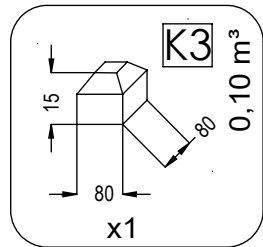
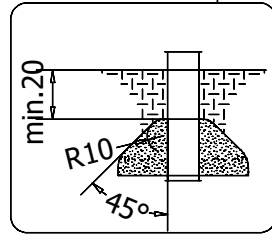
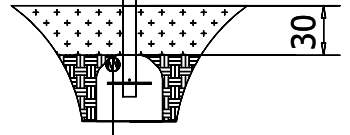
A.



B.

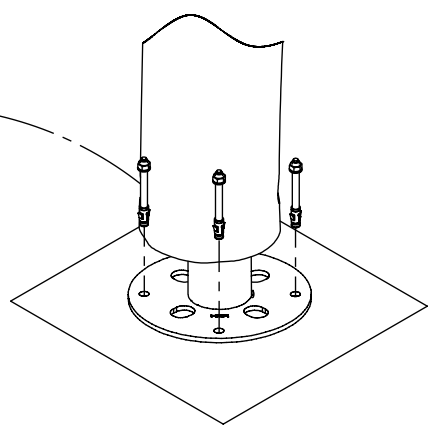


C.



4x M10x120 (K3)

**NOT INCLUDED**



[cm]



1h



48h



K21

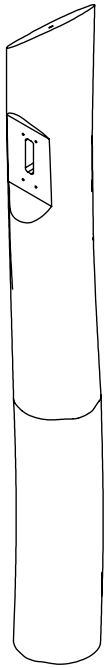
>0,06m³



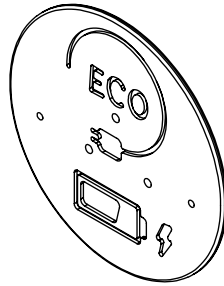
K3

>0,10m³

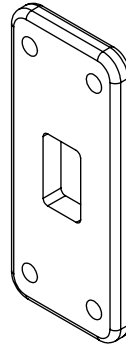
vinci play



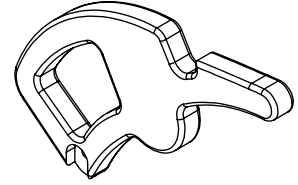
127694  
x1



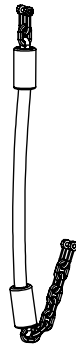
121182  
x1



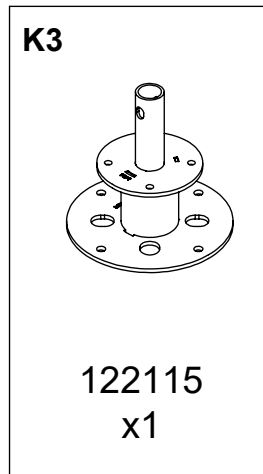
121166  
x1



121167  
x1

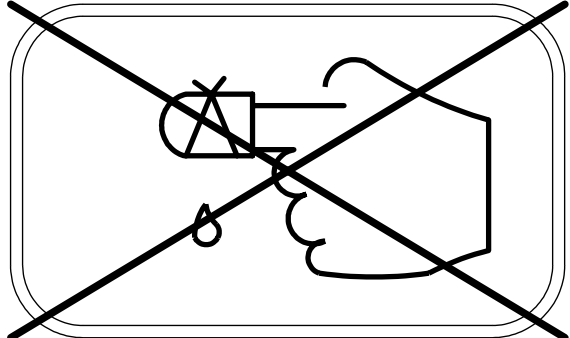
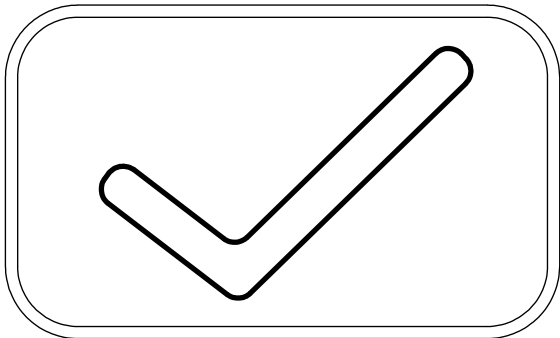
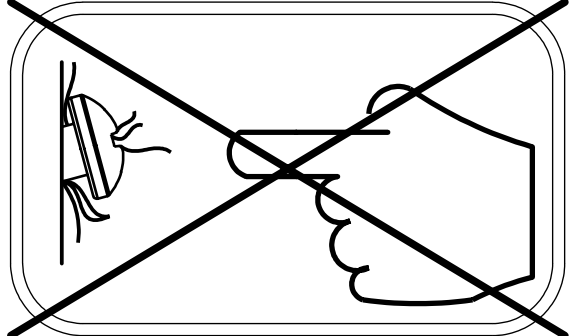
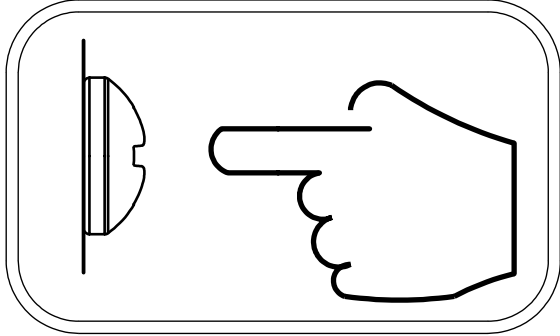
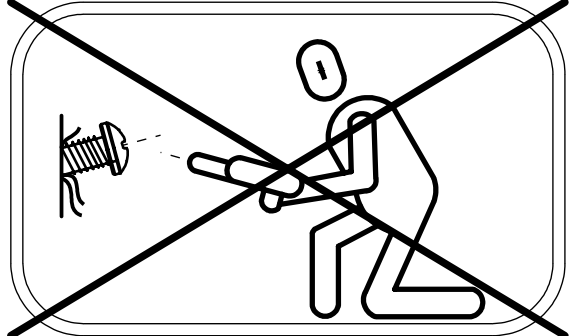
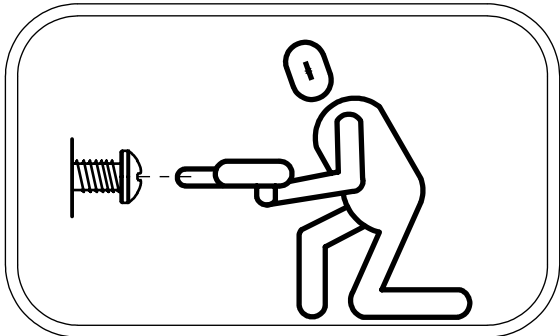


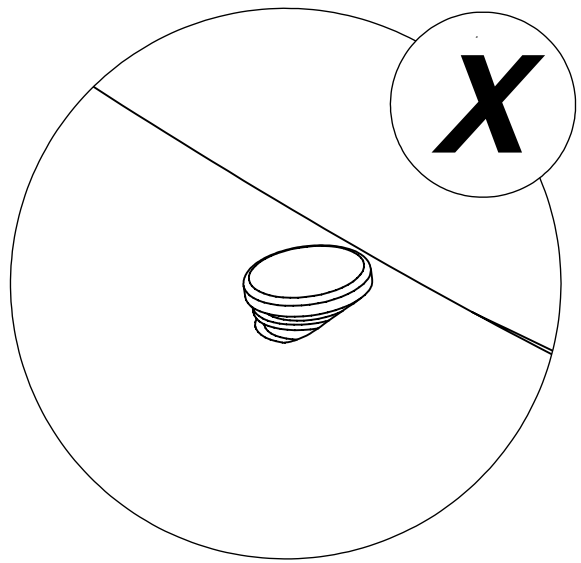
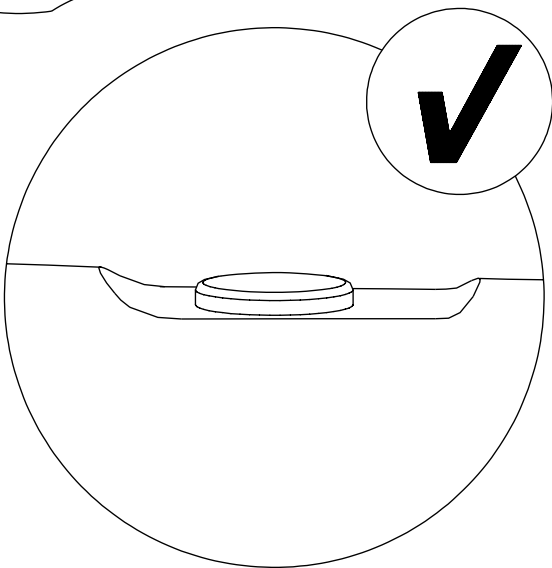
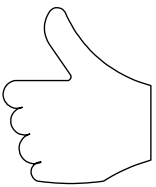
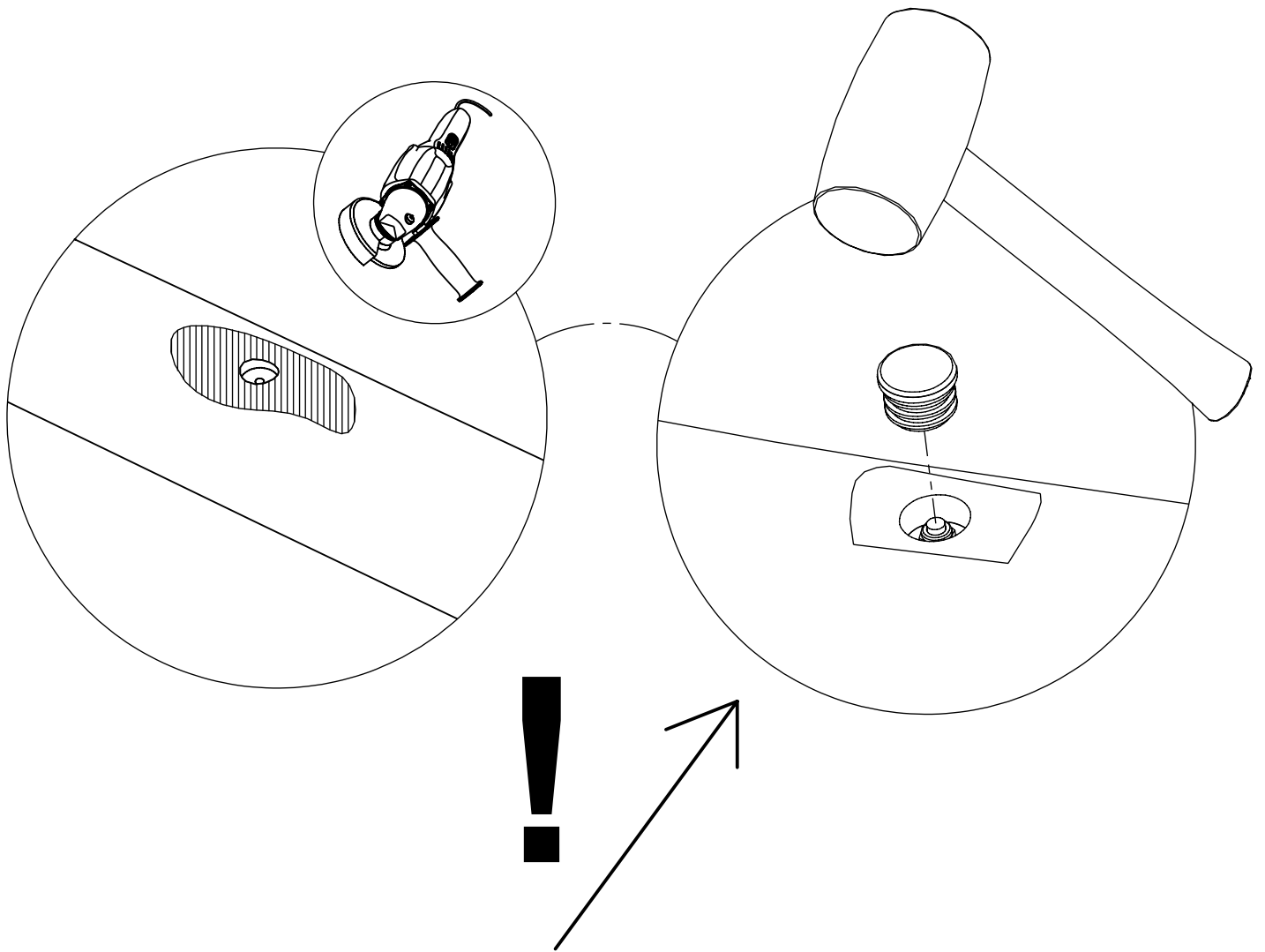
125139  
x1



122115  
x1

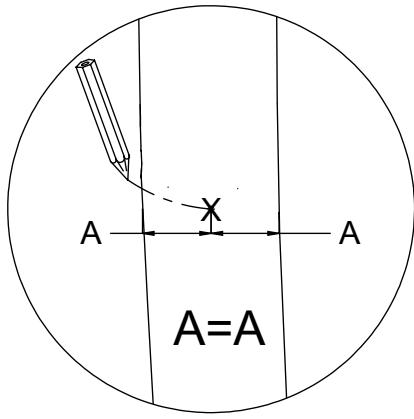
4x	7x35 sxi
3x	8x50 sxi
4x	8x120sxt (K3)
1x	12e109 (K3)
1x	12e136
1x	E242
1x	V001



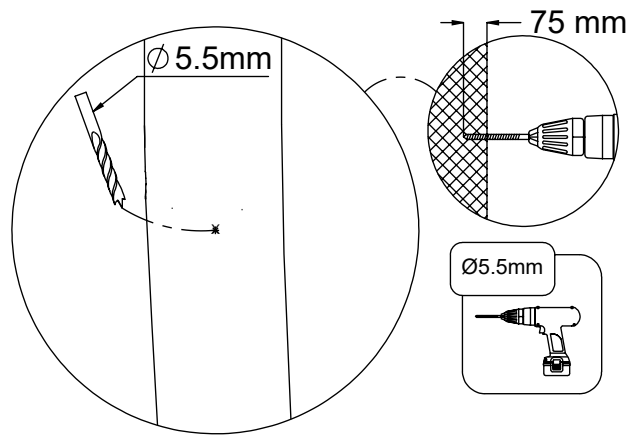




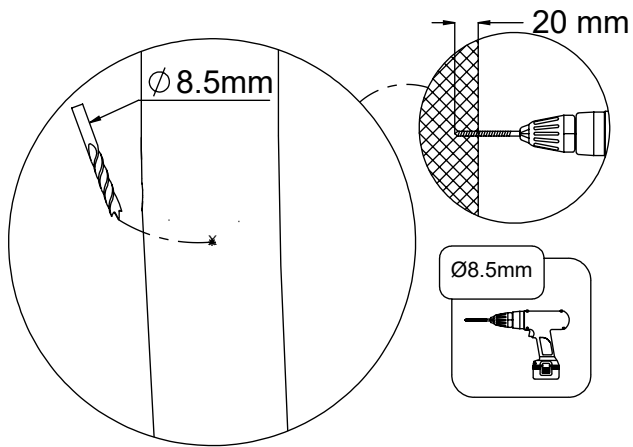
1.



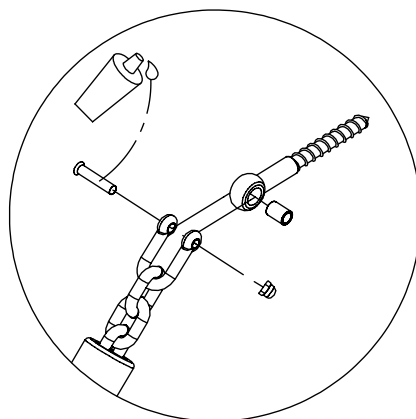
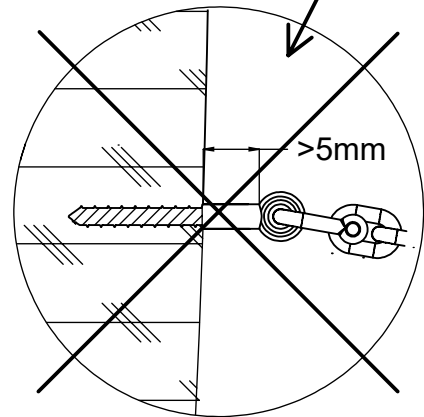
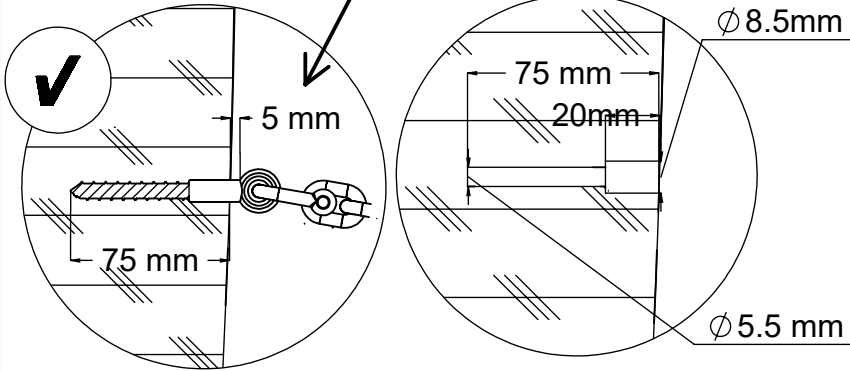
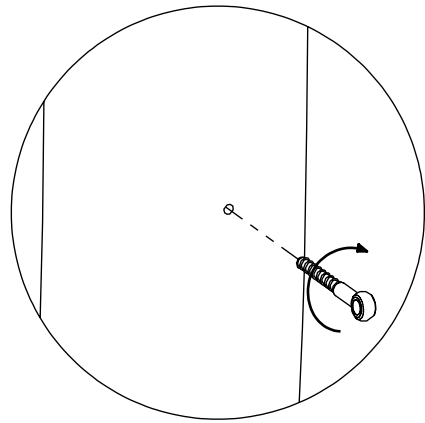
2.



3.

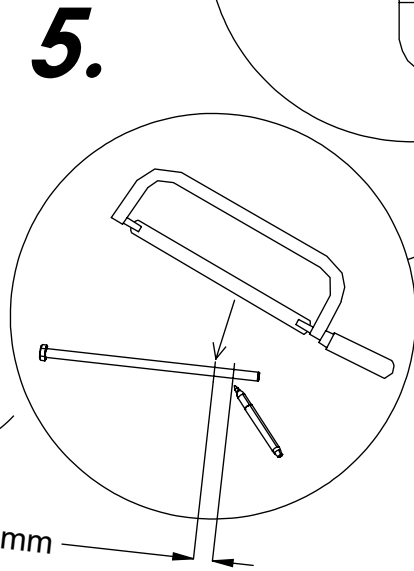
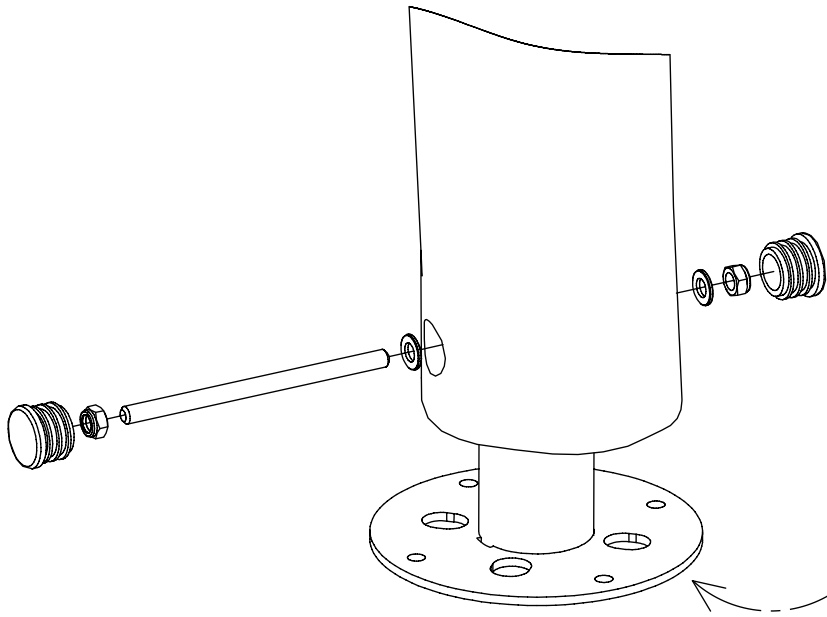
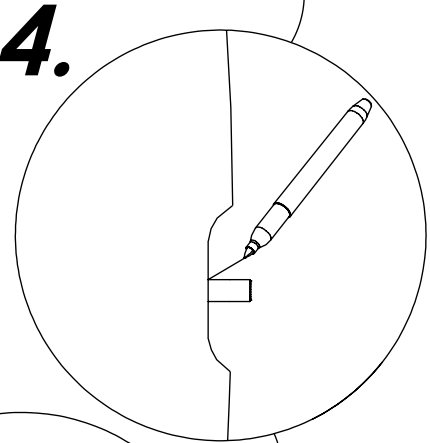
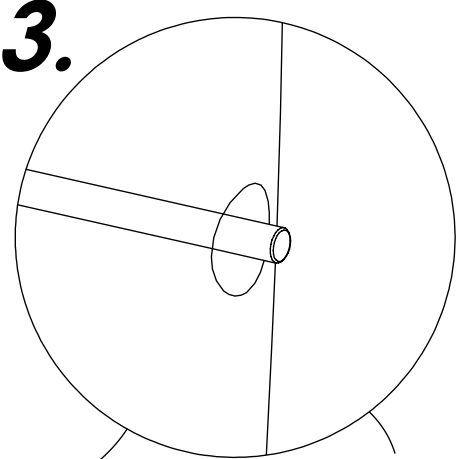
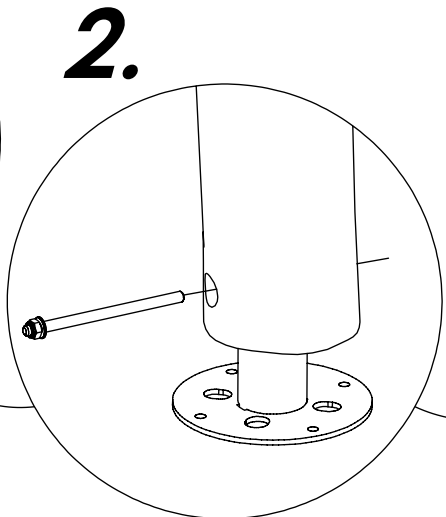
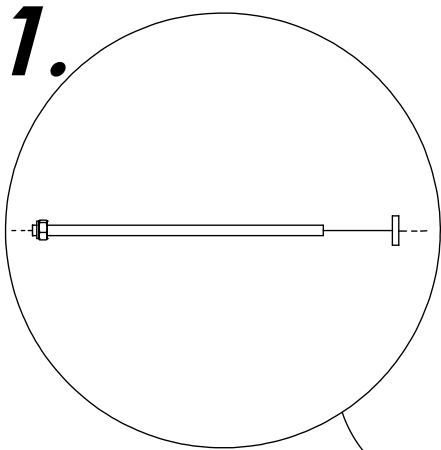
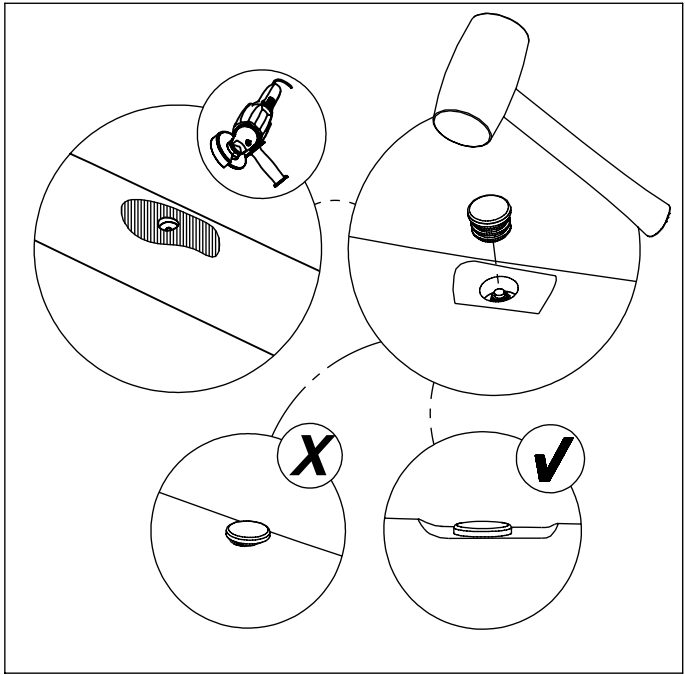
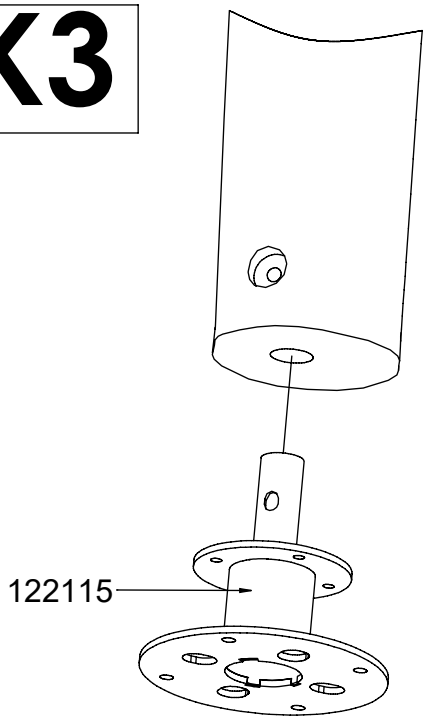


4.



vinci  
play

# K3



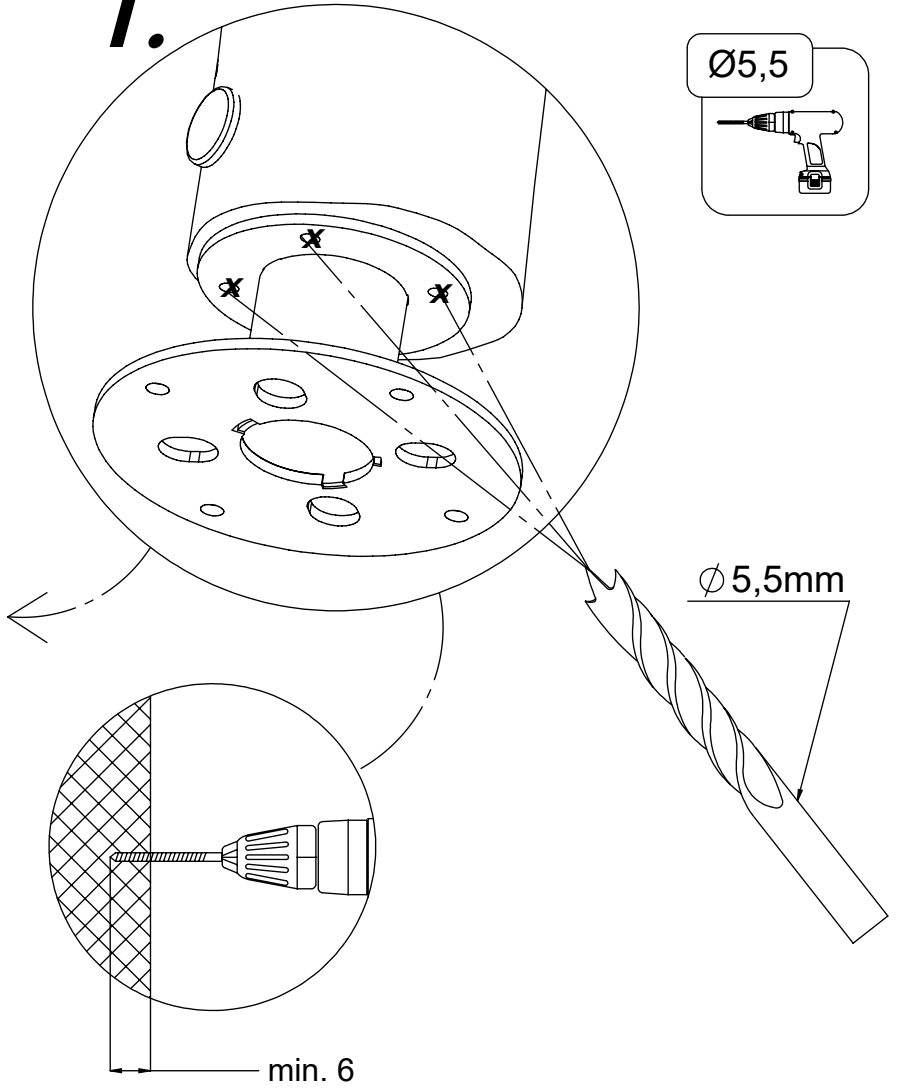
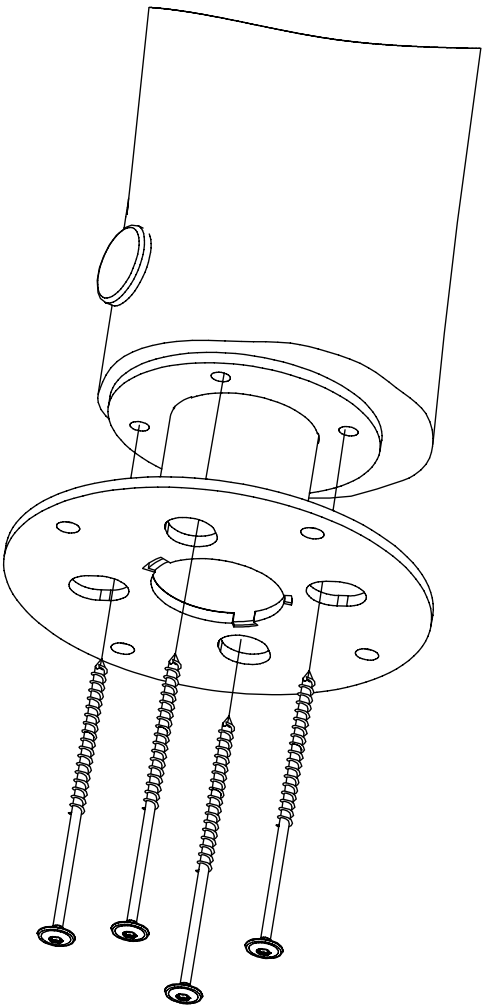
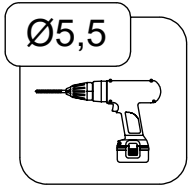
12e109

[cm]

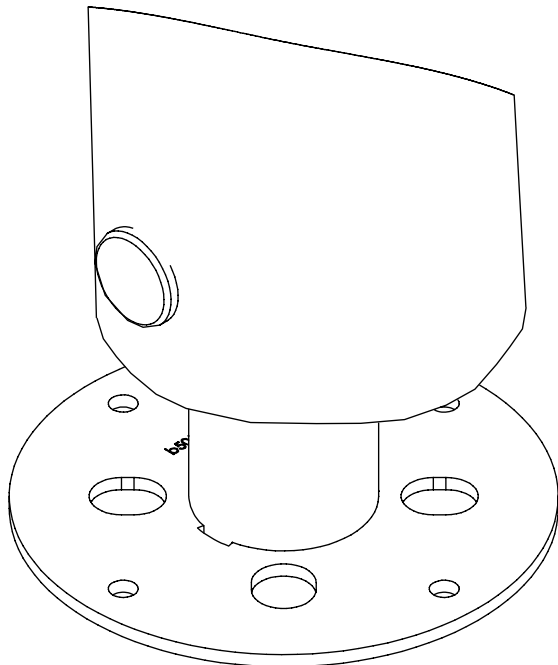
vinci play

# K3

## 1.

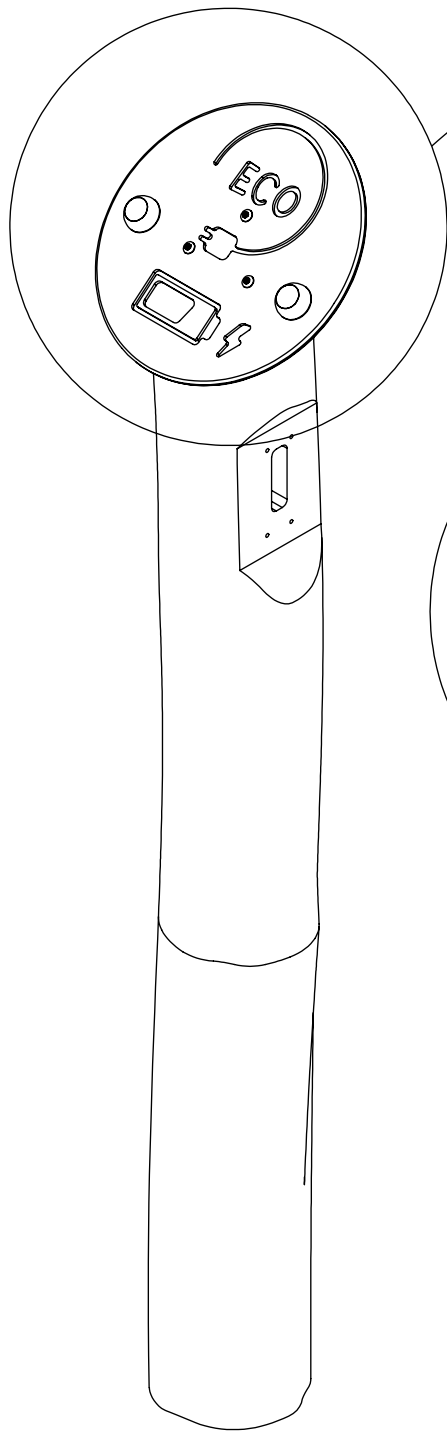


8x120sxt

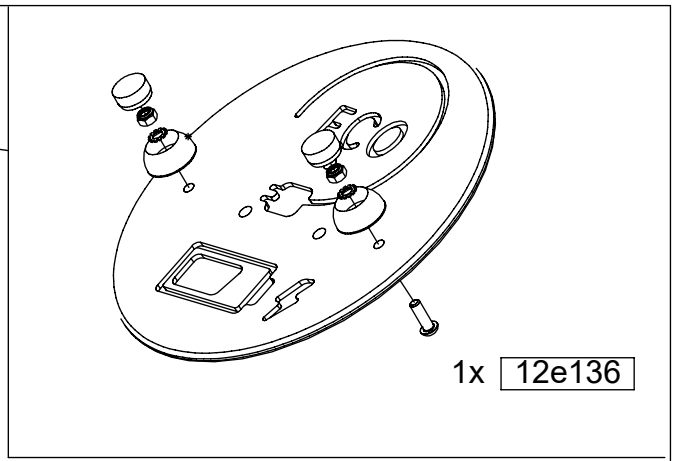


[cm]

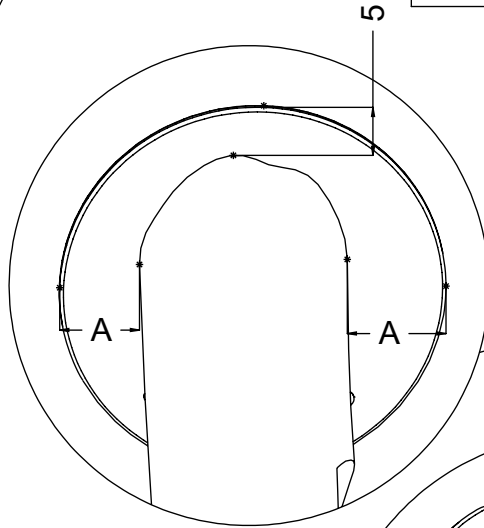
vinci  
play



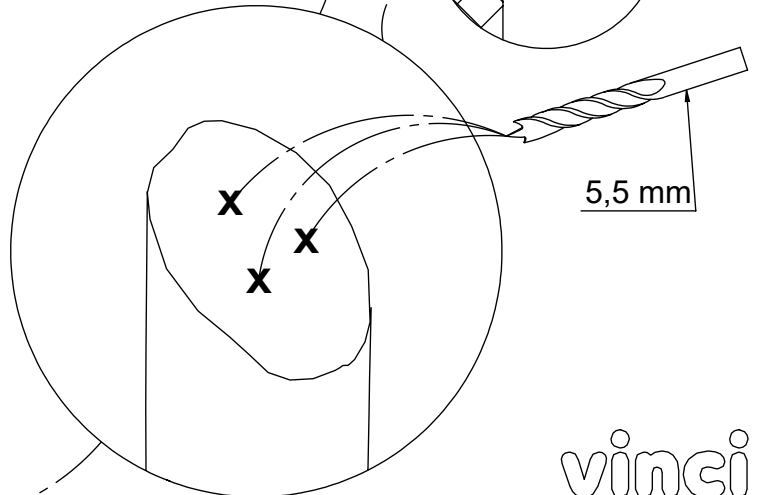
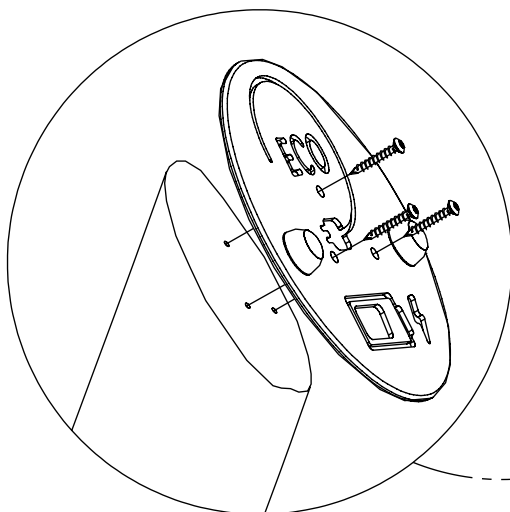
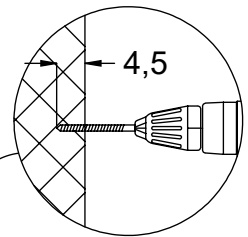
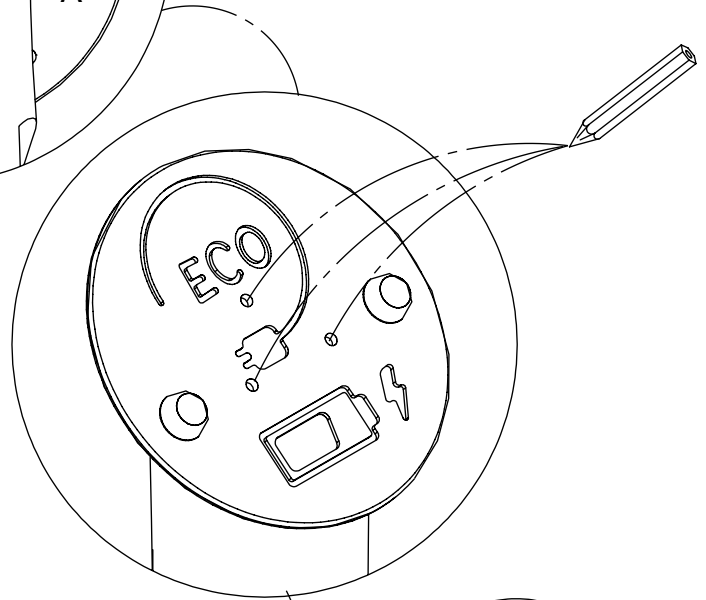
3x 8x50sxi



1x 12e136



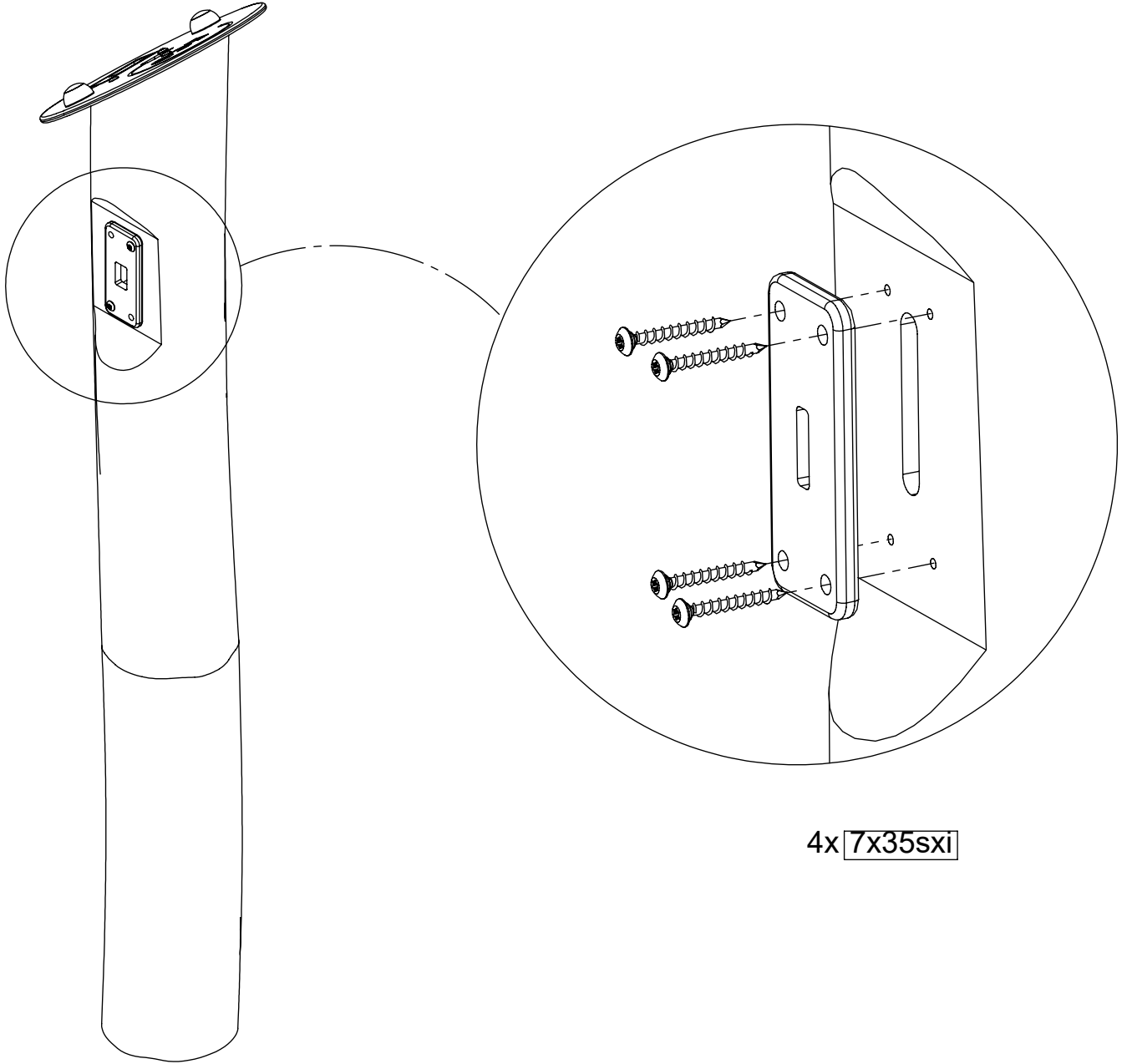
A=A



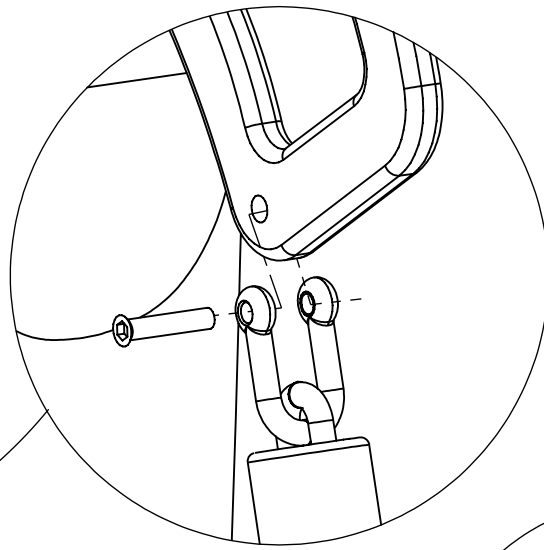
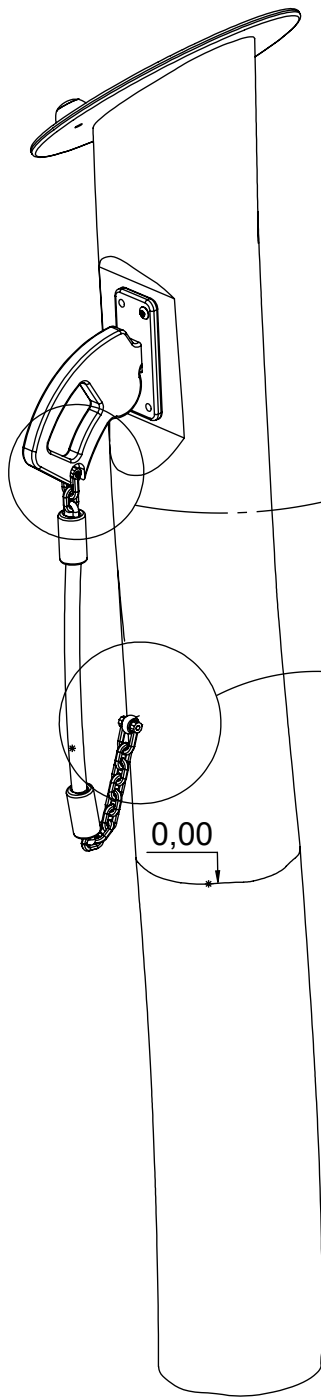
5,5 mm

[cm]

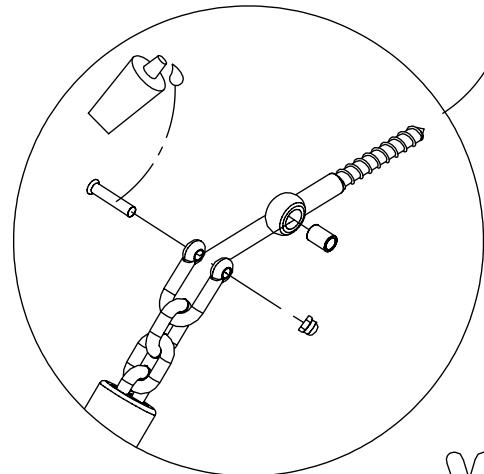
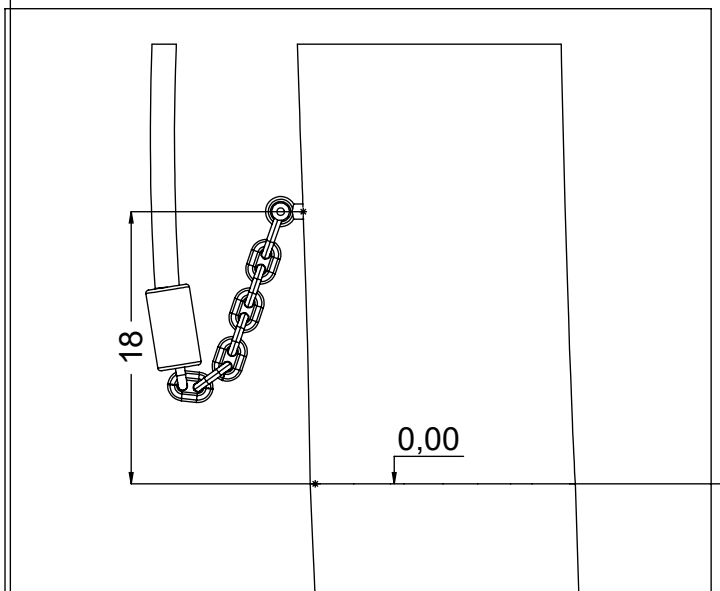
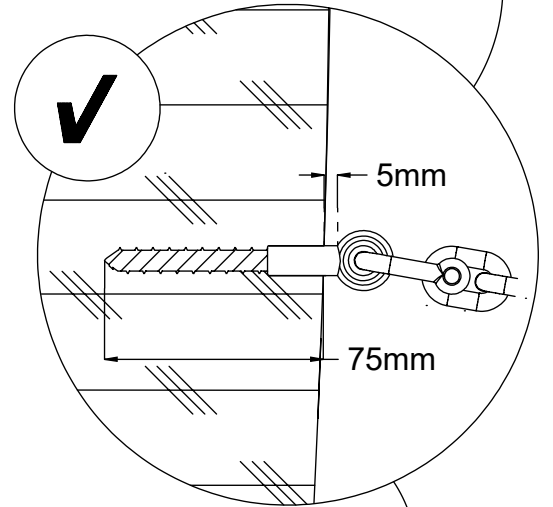
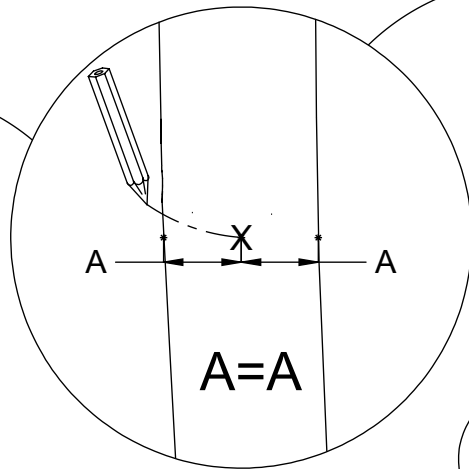
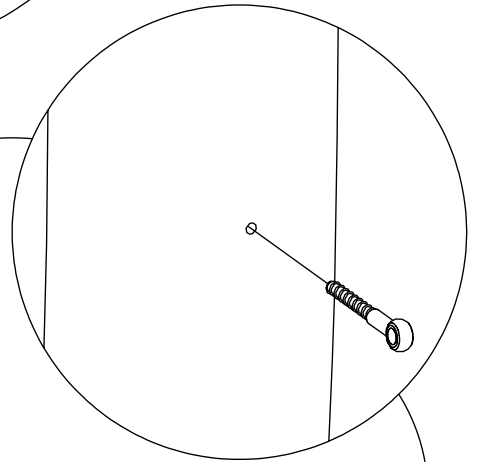
vinci  
play



4x 7x35sxi



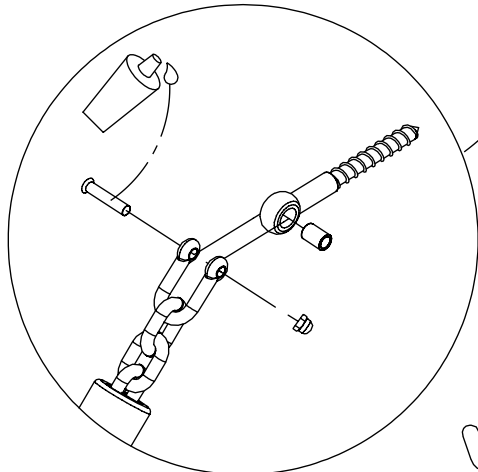
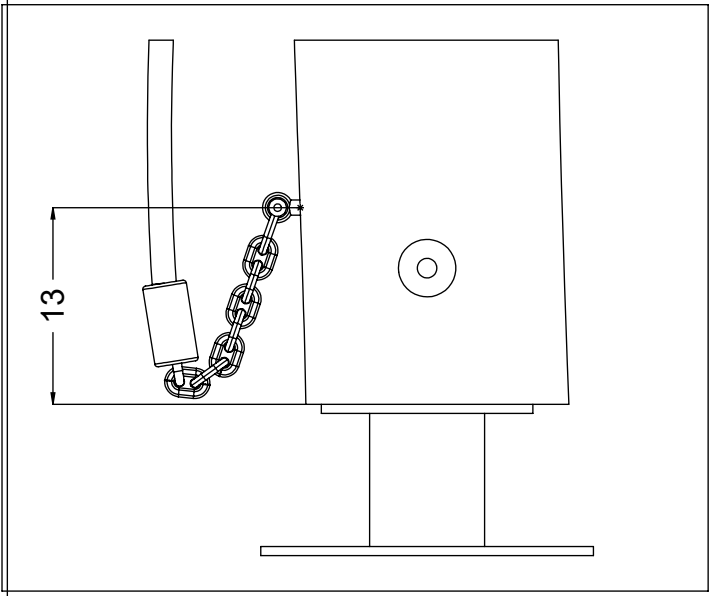
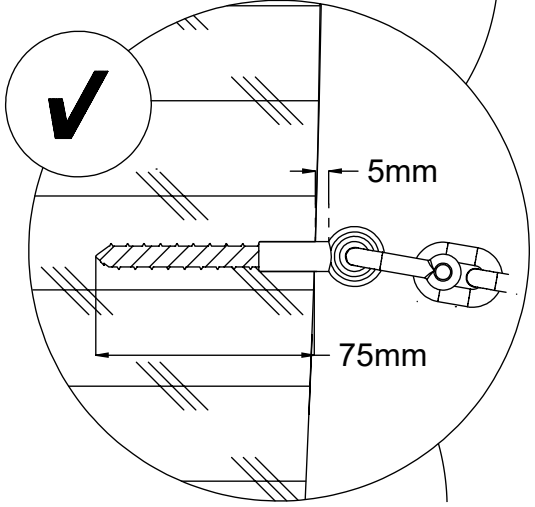
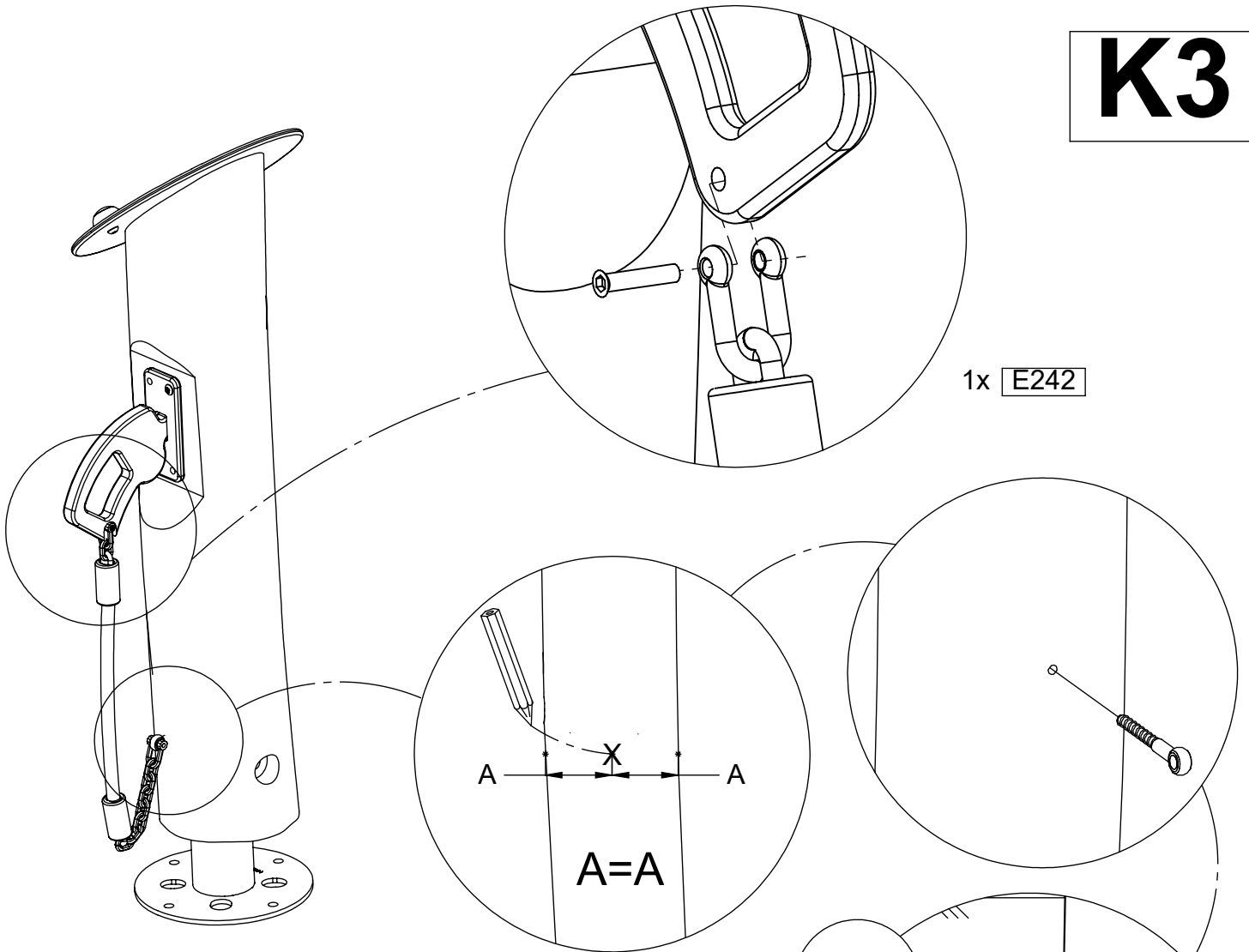
1x **E242**

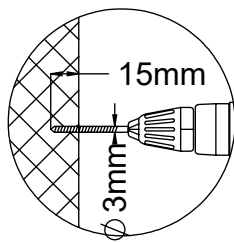
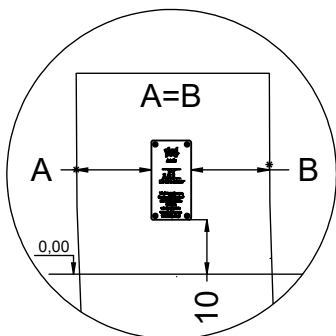
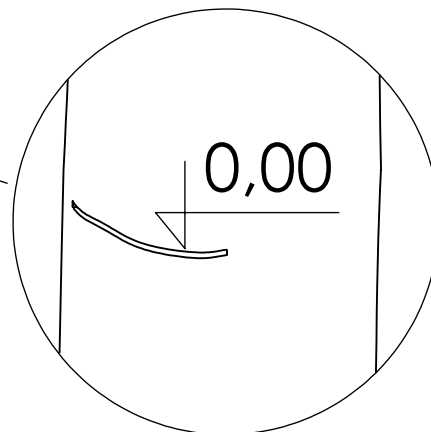
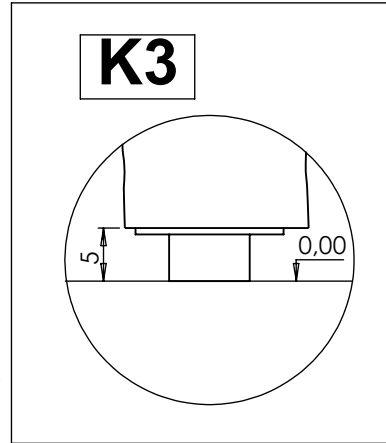
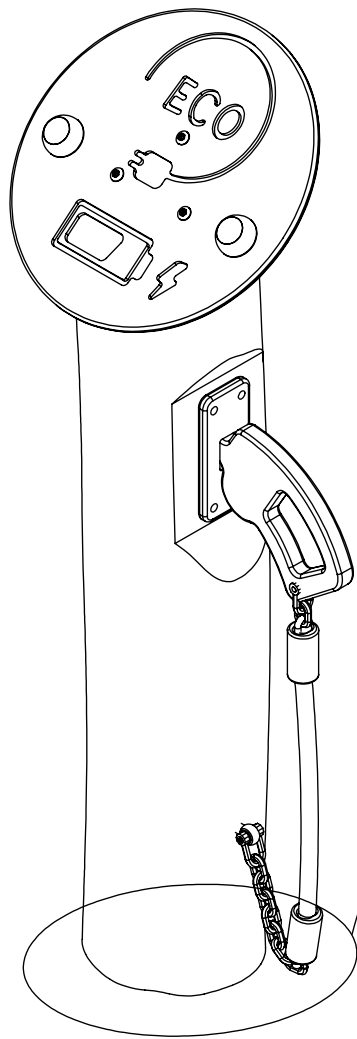


[cm]

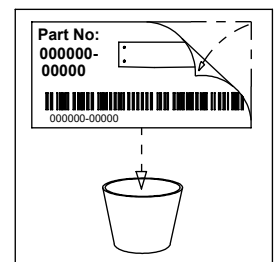
vinci  
play

# K3





V001



[cm]

vinci  
play