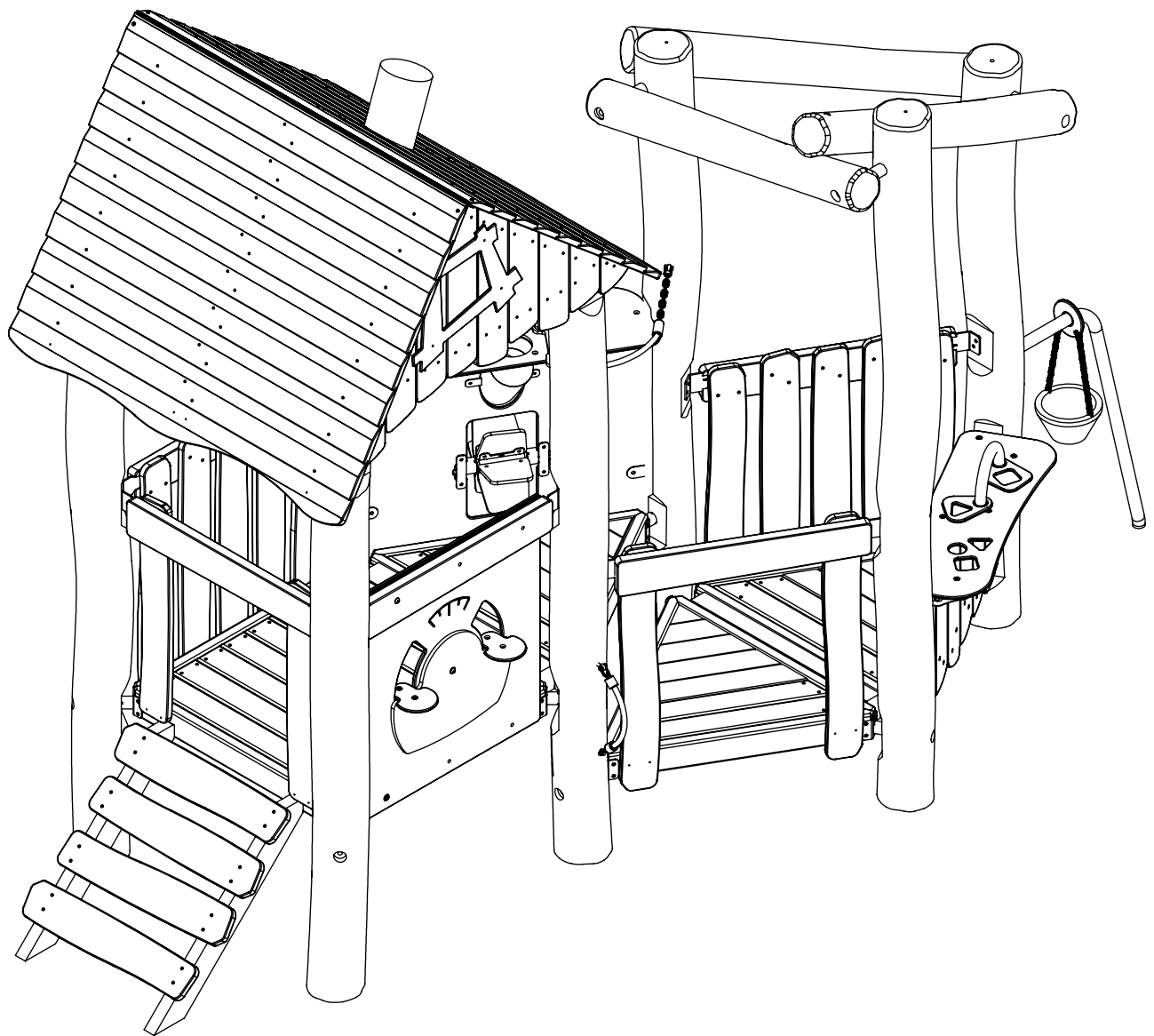
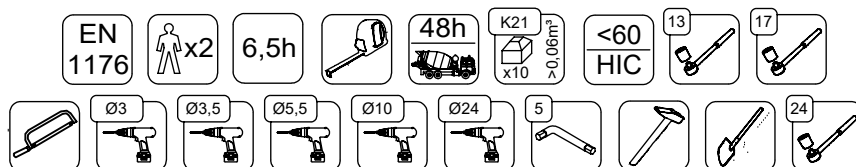


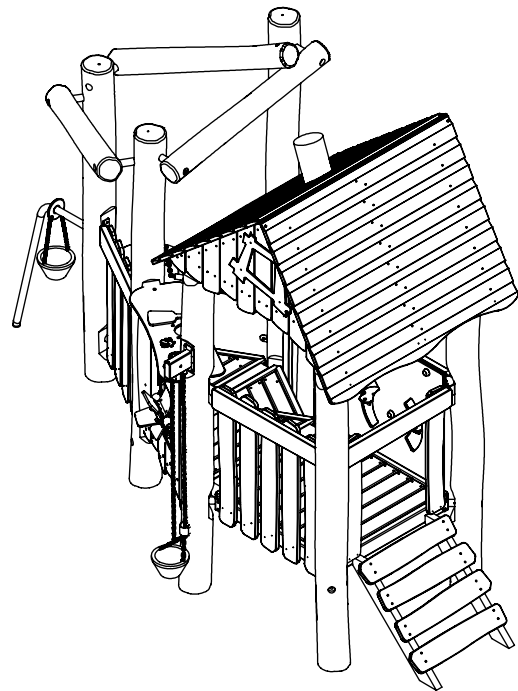
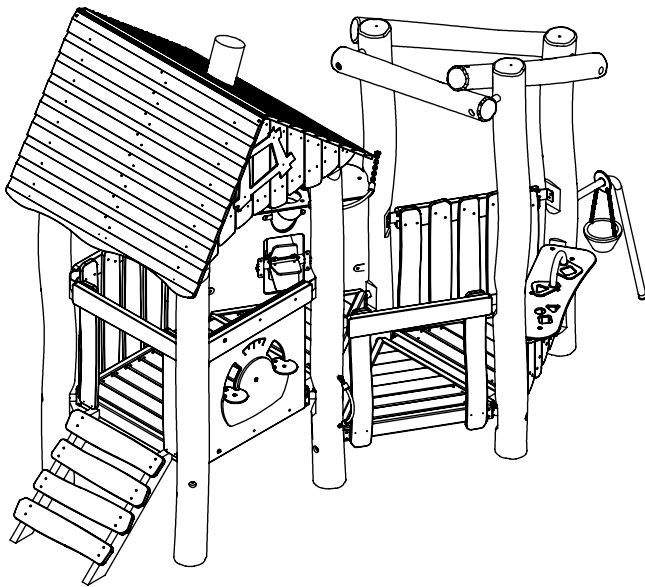
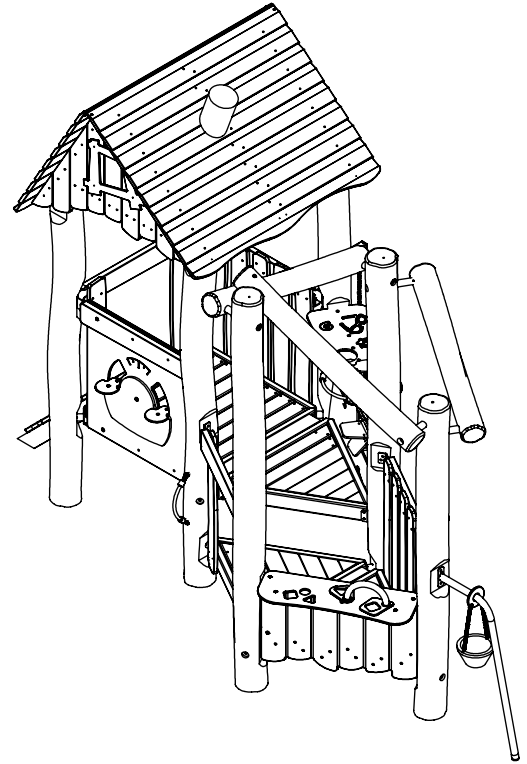
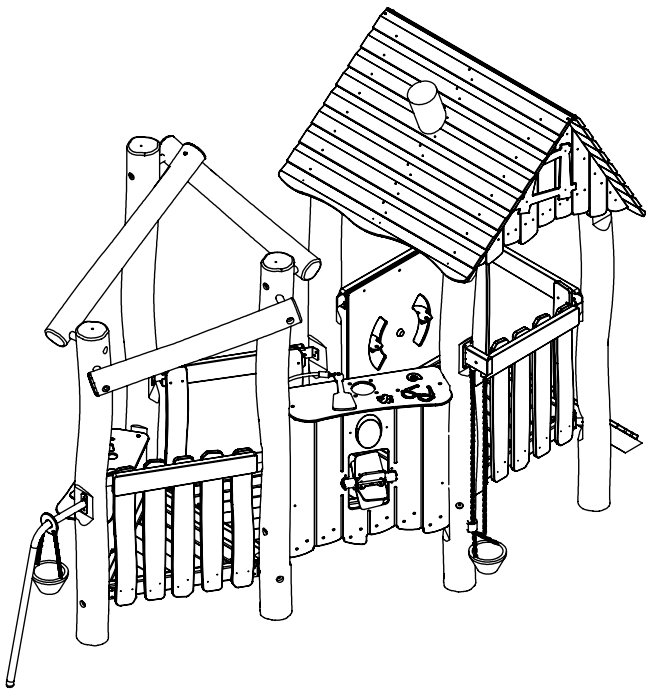
# RB1328



v010  
13.12.2023  
D. P.  
[cm]

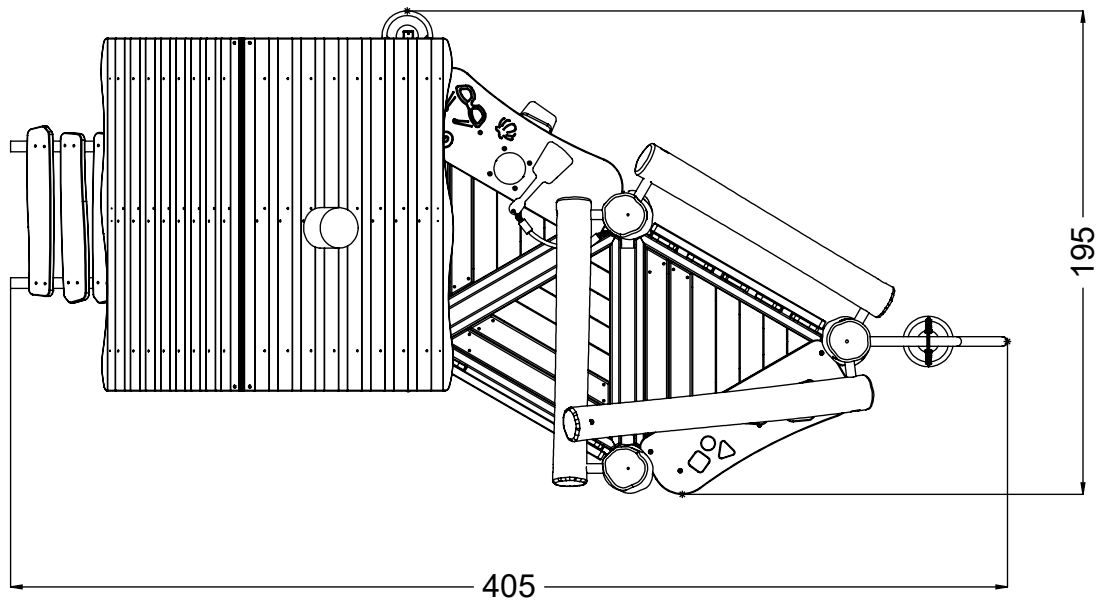
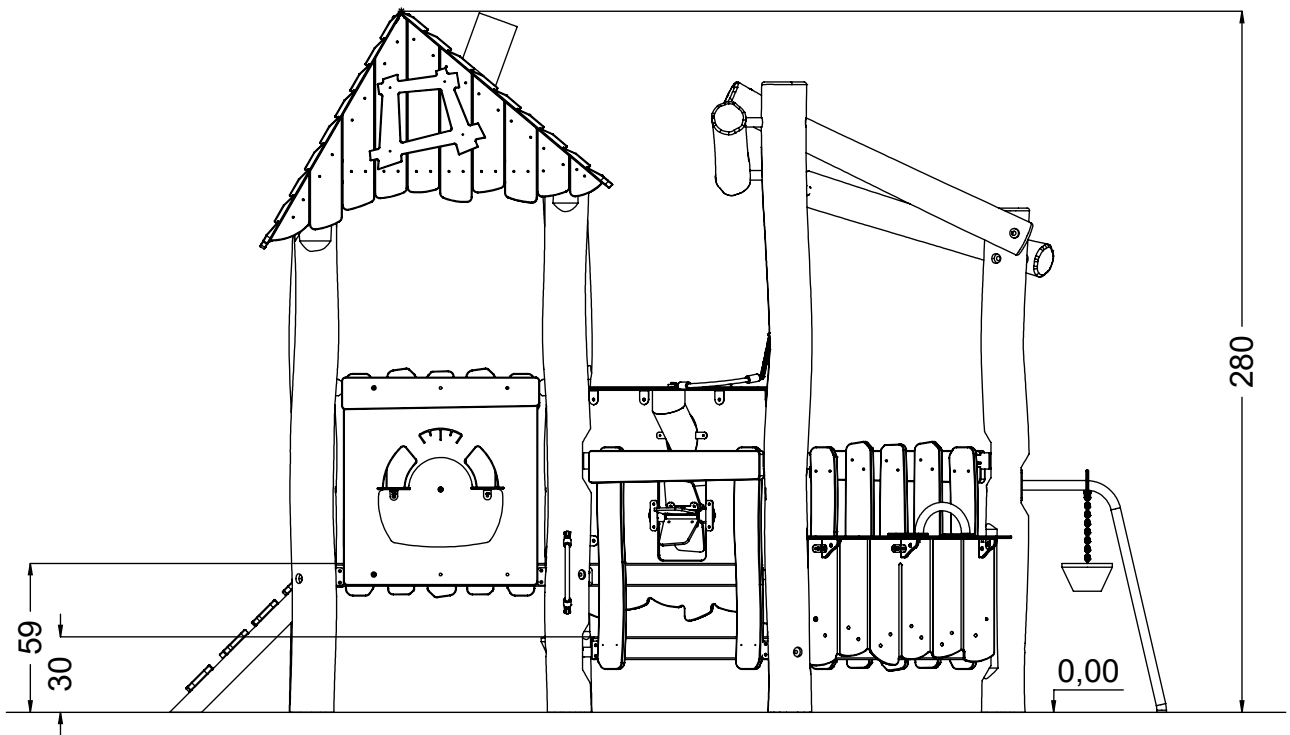


vinci  
play



[cm]

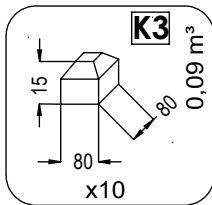
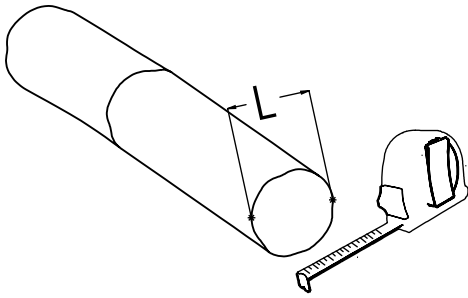
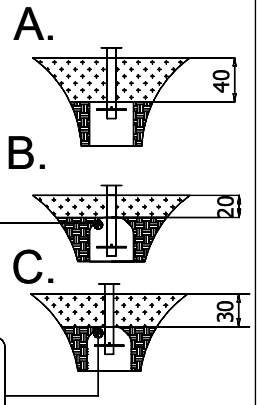
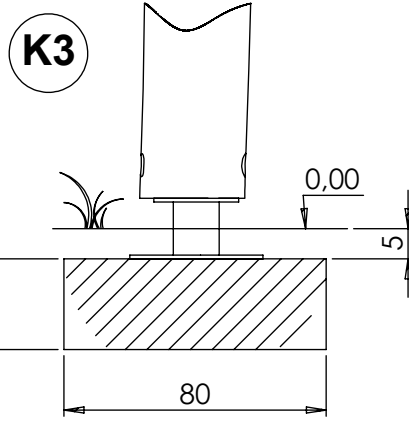
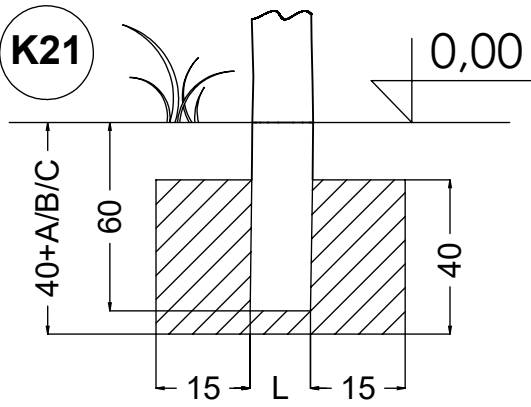
vinci  
play



[cm]

vinci  
play

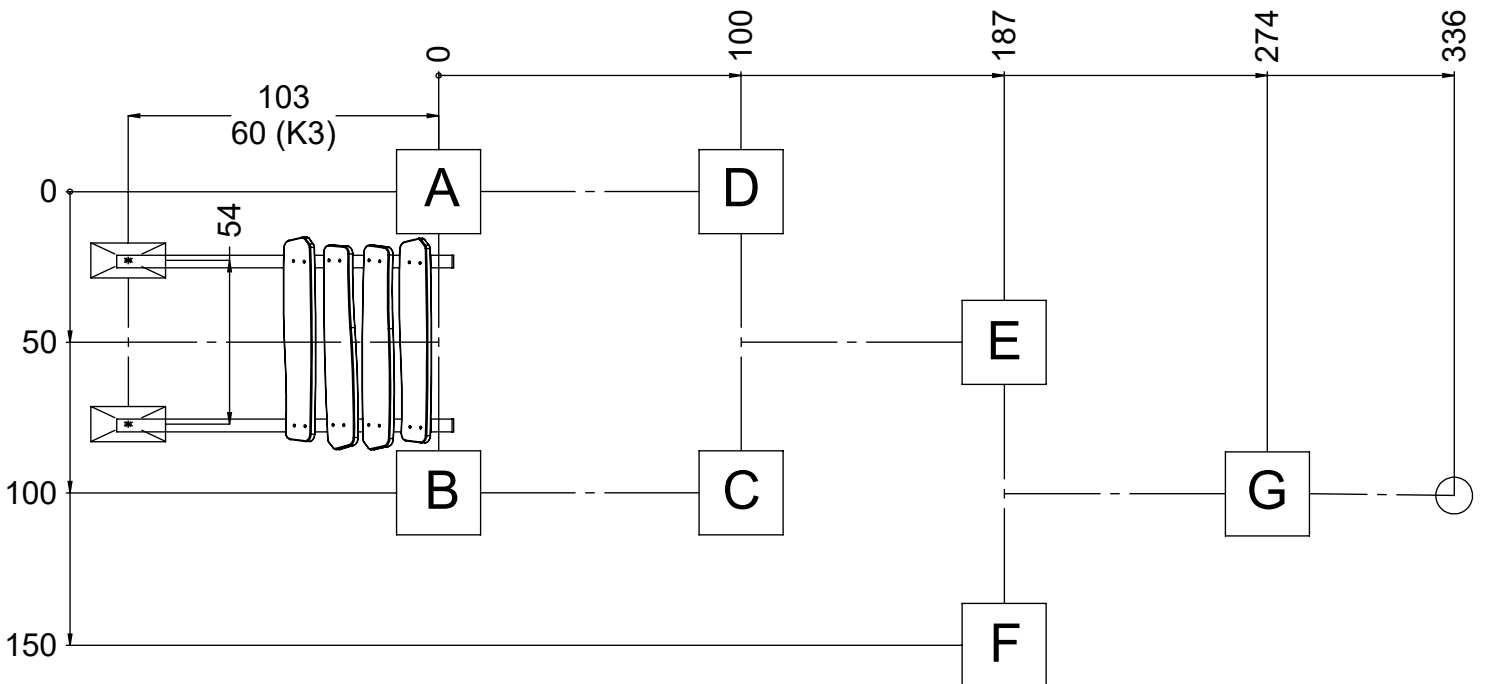
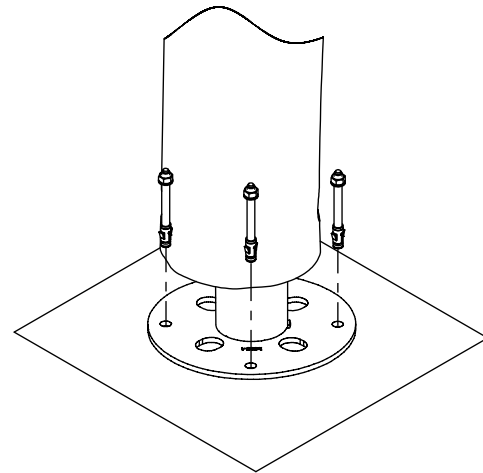




28x M10x120 (K3)  
6x M8x120 (K3)



**NOT INCLUDED**



[cm]



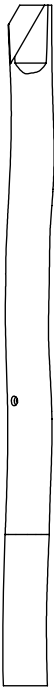
6,5h



vinci  
play



127916 (A)  
x1



127915 (B)  
x1



127914 (C)  
x1



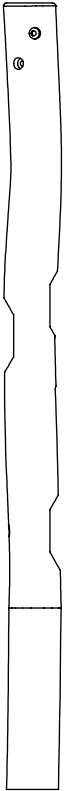
127917 (D)  
x1



127919 (E)  
x1



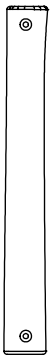
127918 (F)  
x1



127920 (G)  
x1



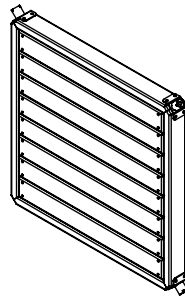
127883  
x1



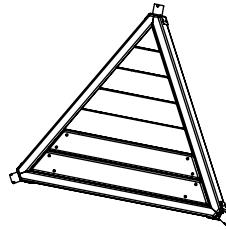
127921  
x1



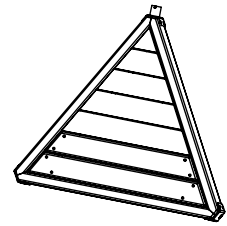
127922  
x1



124100  
x1

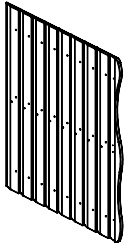


124108  
x1

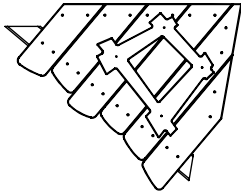


124191  
x2

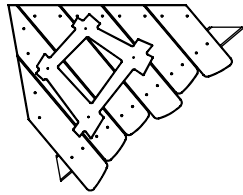
[cm]



124133  
x2



124135  
x1



124132  
x1



128237  
128125  
x1



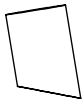
128238  
128126  
x1



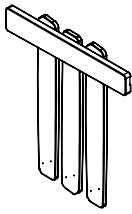
128230  
128118  
x1



128229  
128117  
x1



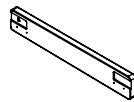
128172  
x1



124104  
x2



128181  
x6



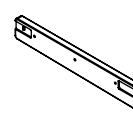
128107  
x2



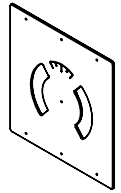
128113  
x1



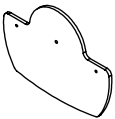
128179  
x1



128339  
x1



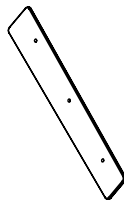
121207  
x1



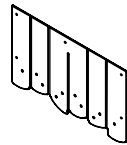
121208  
x1



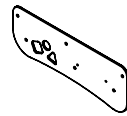
121209  
x2



121226  
x2



121210  
x1



121211  
x1



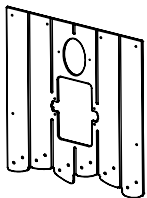
121212  
x1



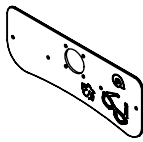
121213  
x1



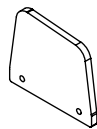
121217  
x1



121214  
x1



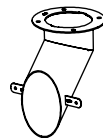
121215  
x1



121216  
x6



122159  
x1



122153  
x1



122158  
x2

**K1**

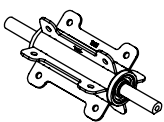


122155  
x1

**K3**



122156  
x1



124192  
x1



125119  
x1



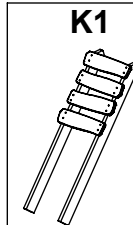
125153  
x1



994121  
x1

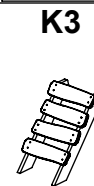


124188  
x1



**K1**

124184  
x1



**K3**

124185  
x1



121229  
x3



128176  
x1



128169  
x1

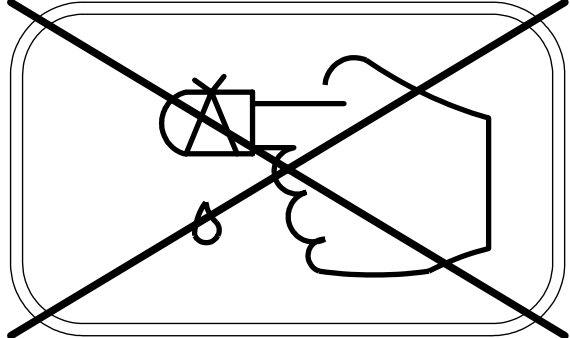
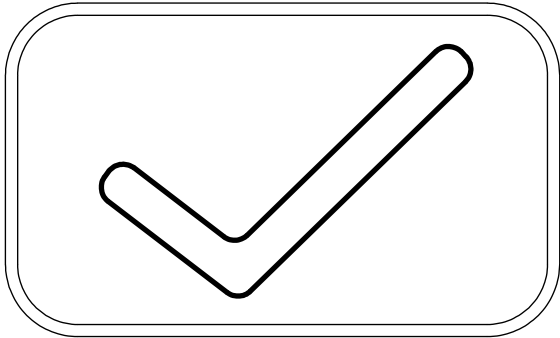
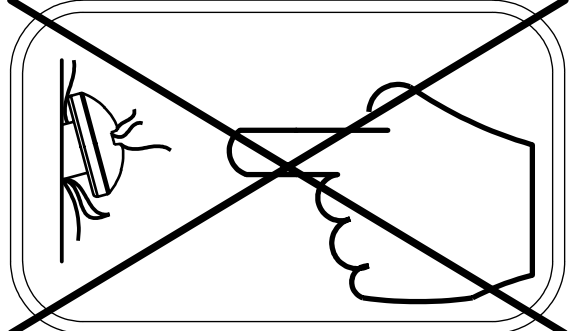
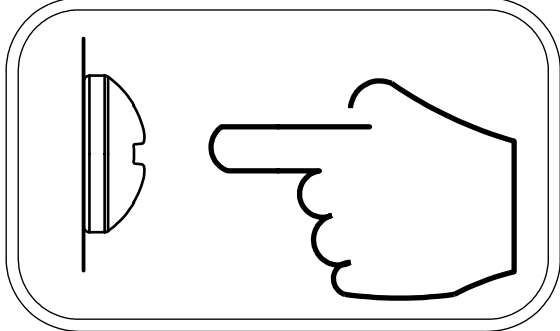
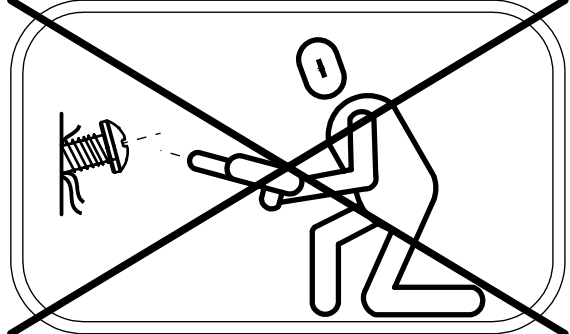
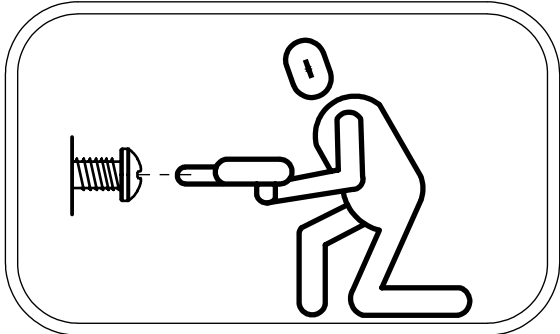
[cm]

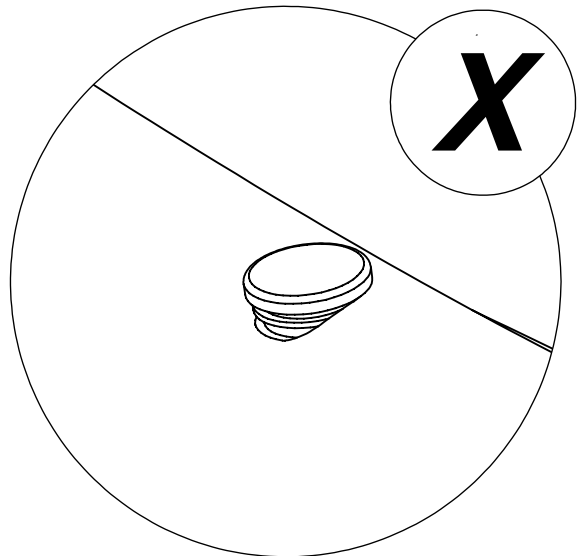
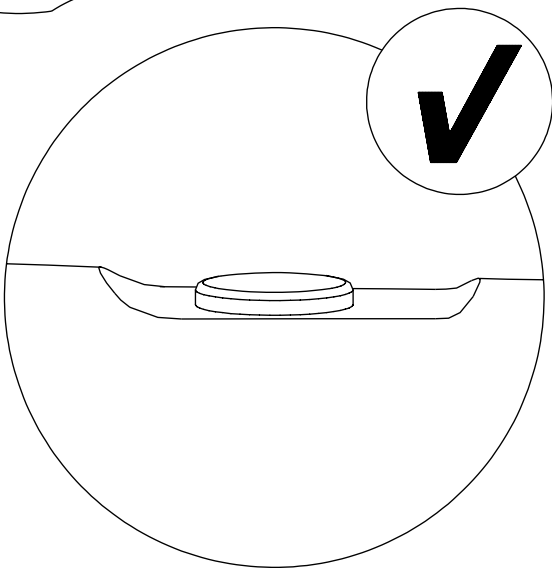
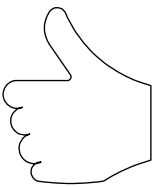
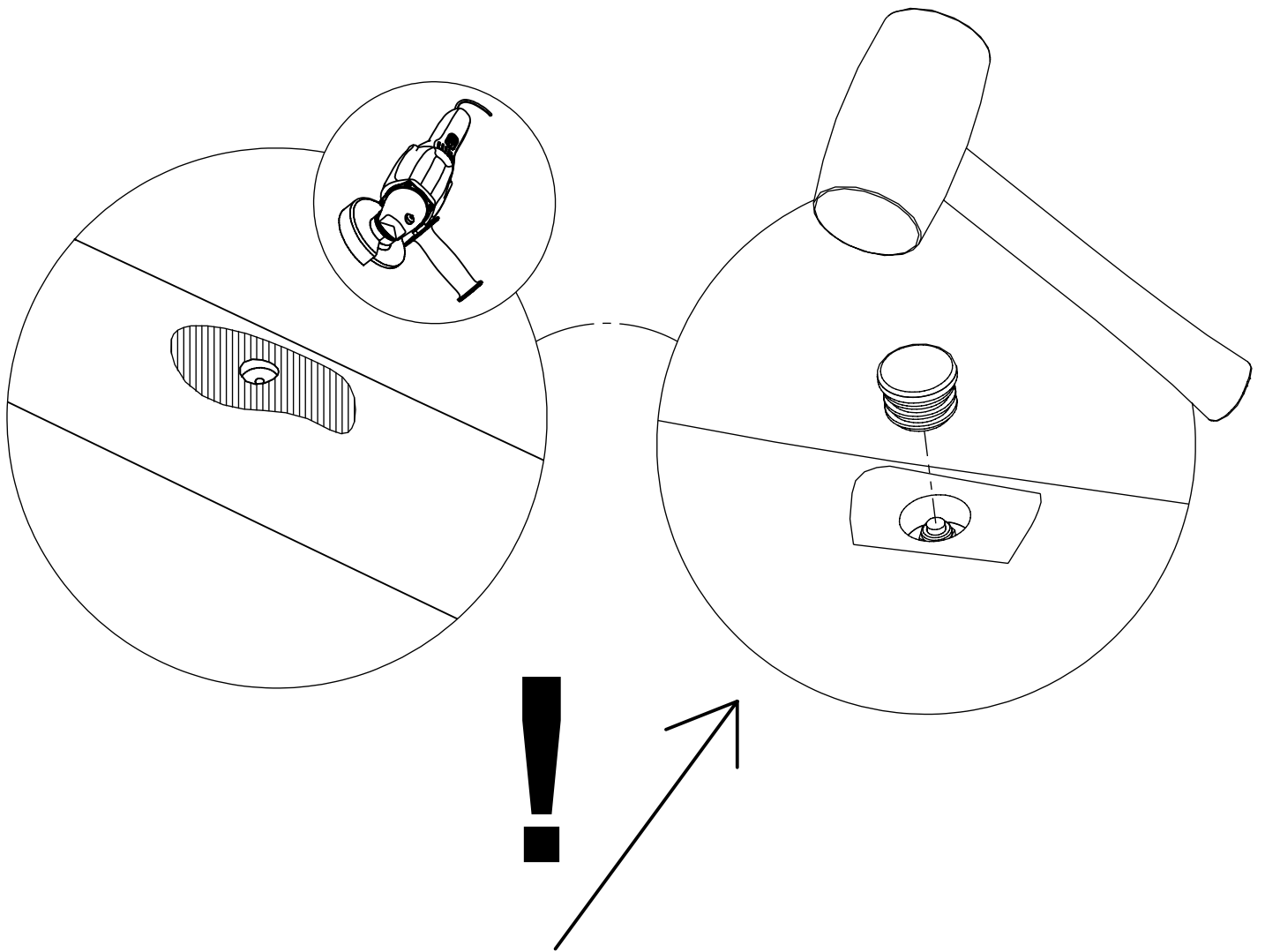
vinci  
play

30x	5x30 sxs
86x	5x50 sxs
7x	5x80 sxs
2x	6x50 sxs
6x	7x35 sxi
47x	8x50 sxi
8x	8x80 sxs
5x	8x160 sxt
2x	10x40 ikl
3x	10ppl
4x	7x35 sxi (K3)
28x	8x120 sxi (K3)

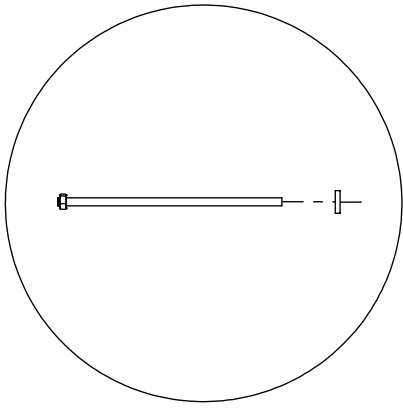
1x	12e003
1x	12e004
1x	12e007
7x	12e109 (K3)
1x	12e132
1x	12e145
1x	12e146
1x	12e147
1x	12e148
1x	12e149
2x	12e150
5x	12e151
1x	12e152
2x	b389
2x	b390
2x	b392
4x	b399
4x	i128 (K3)
1x	E38 (K3)
1x	V001



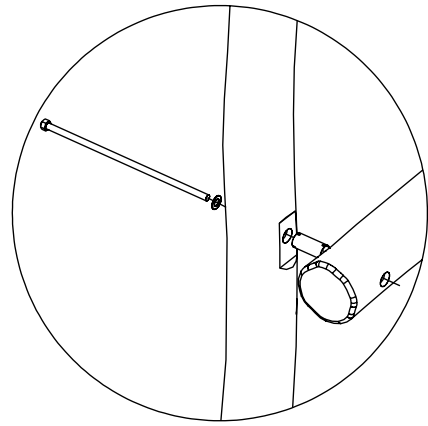




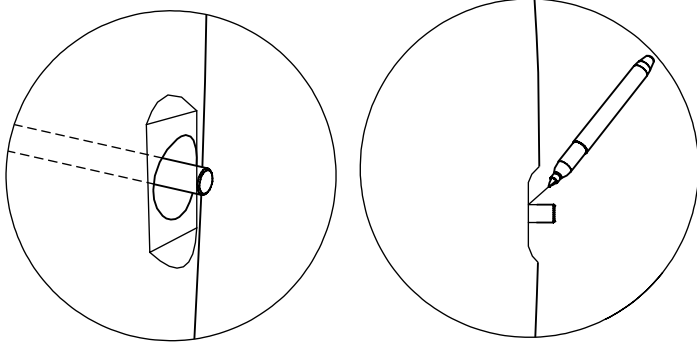
1.



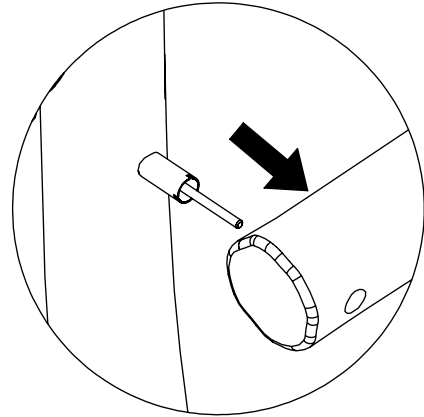
2.



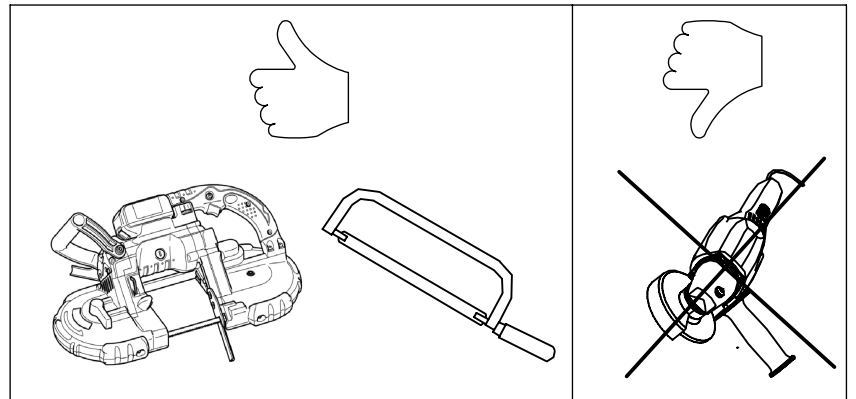
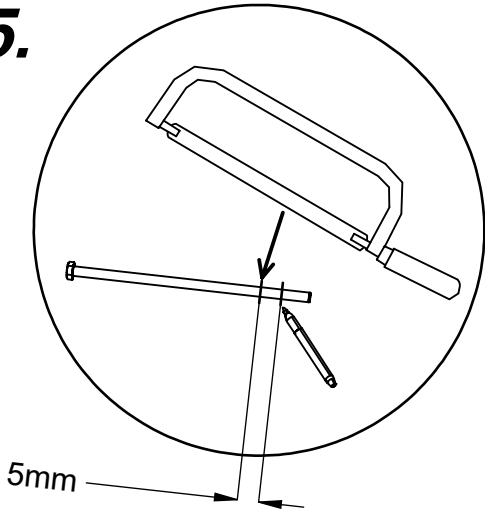
3.



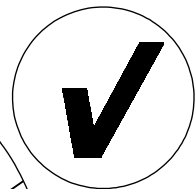
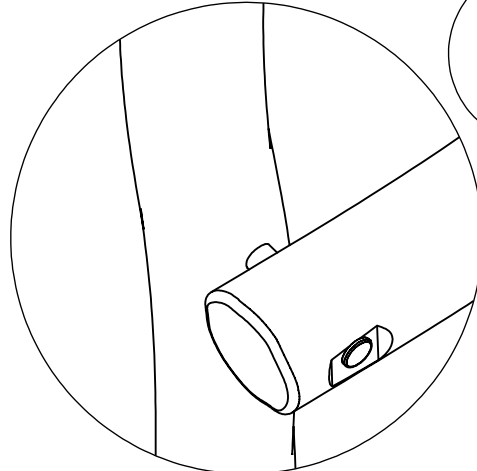
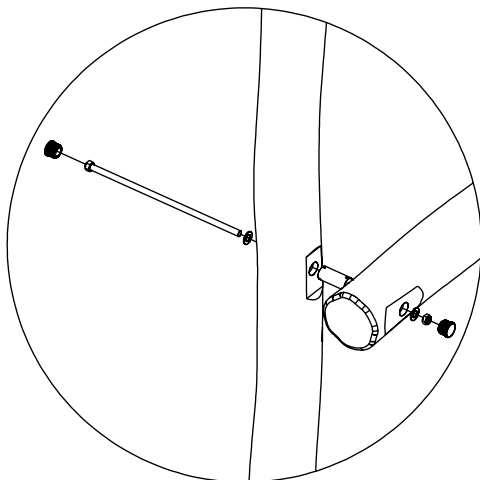
4.



5.



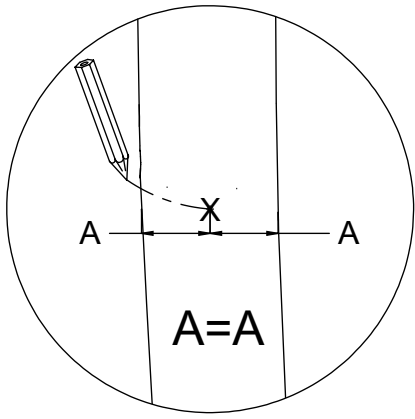
6.



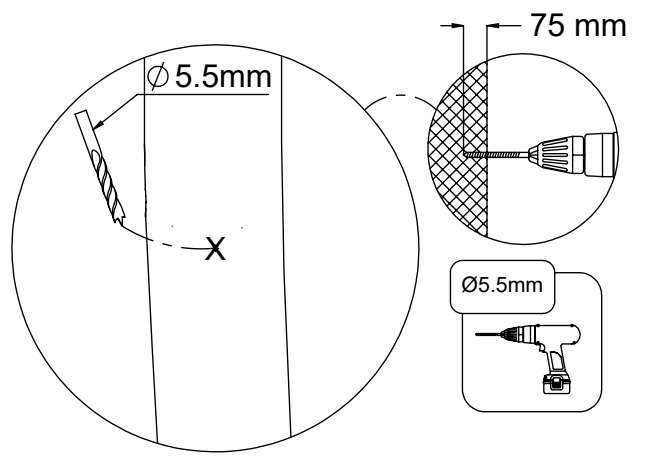
[cm]

vinci  
play

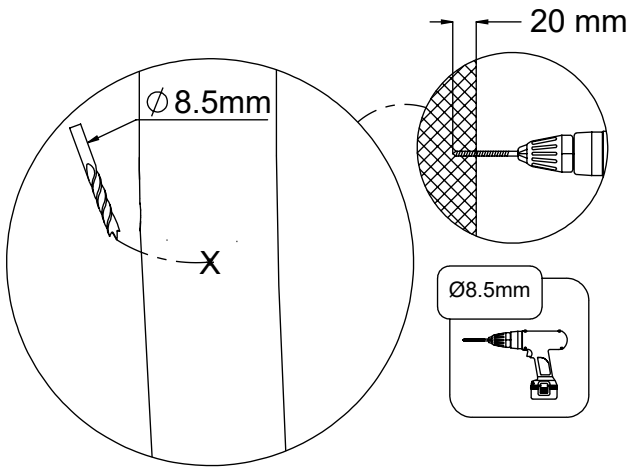
1.



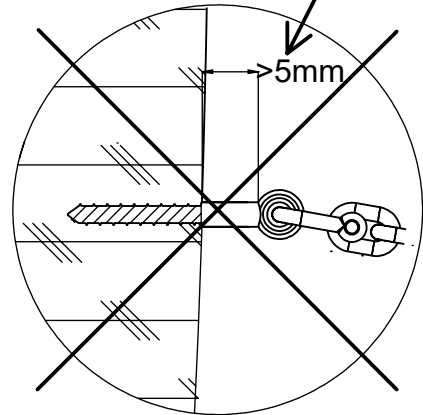
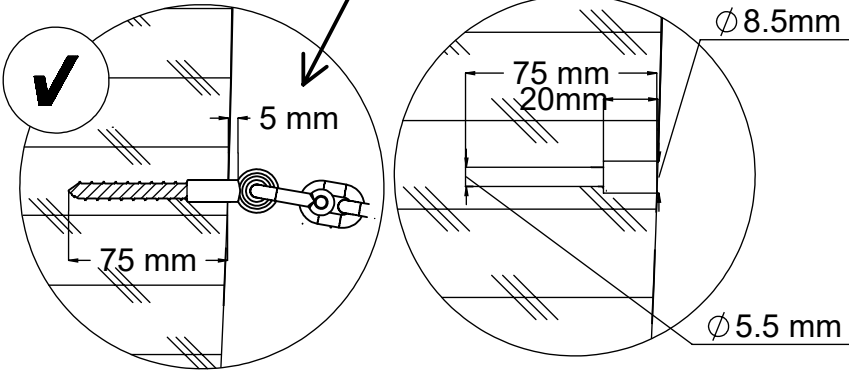
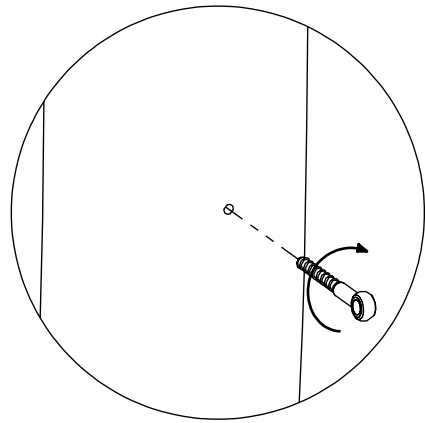
2.



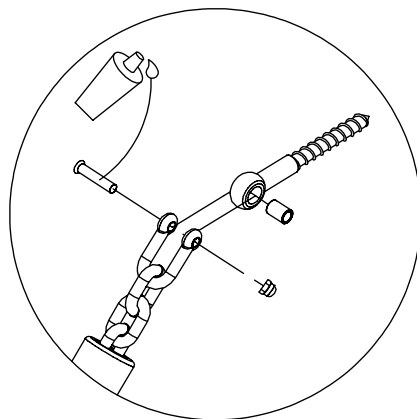
3.



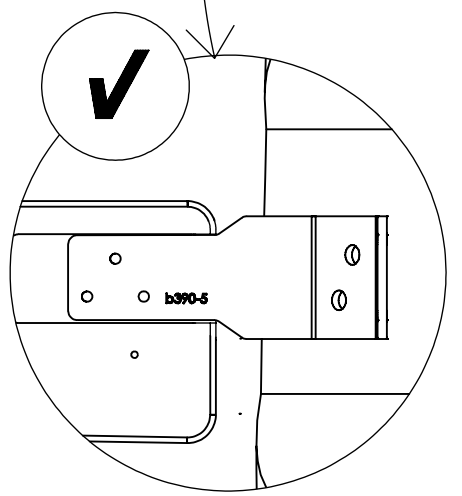
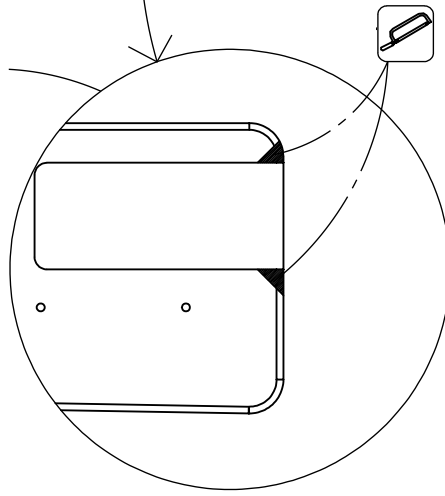
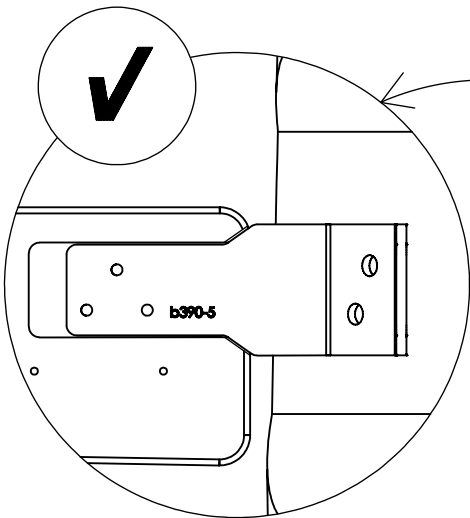
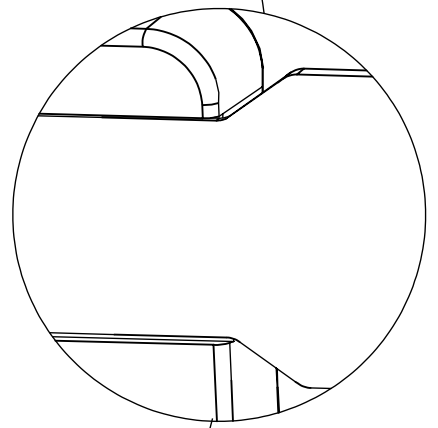
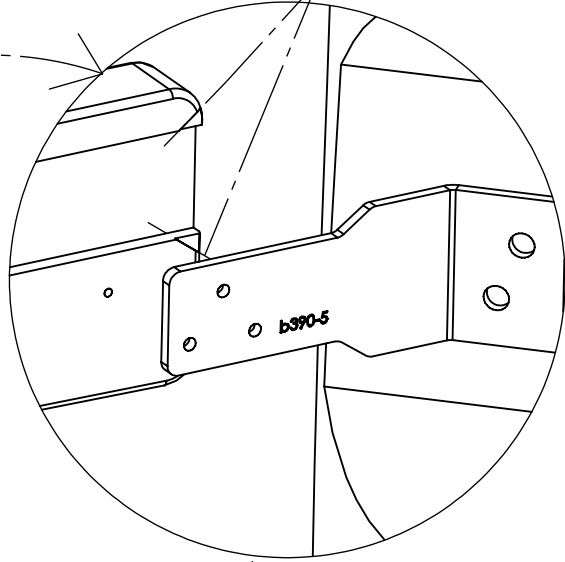
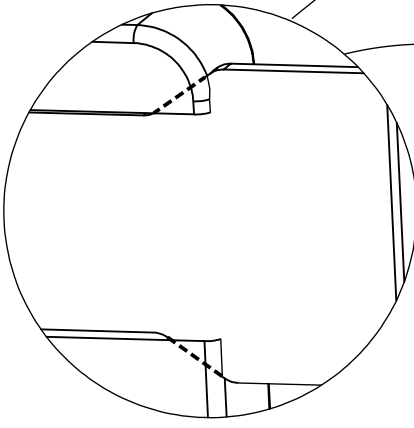
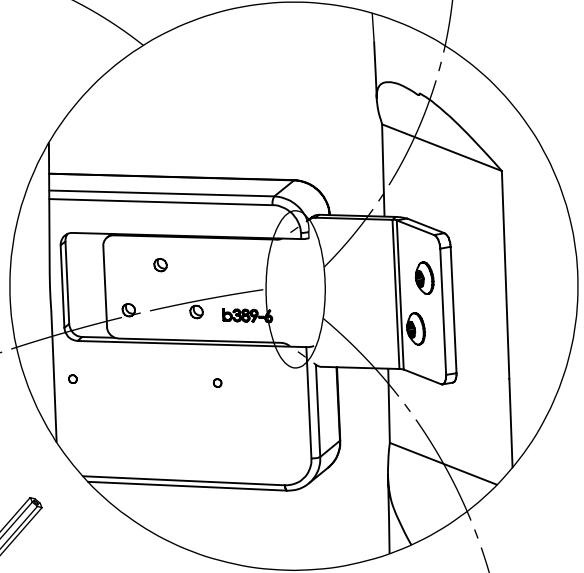
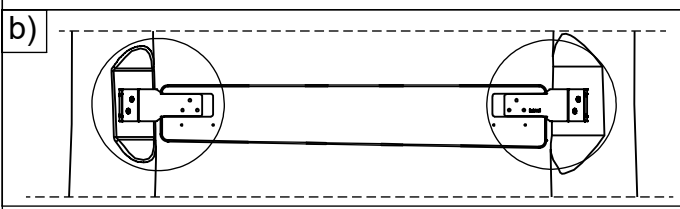
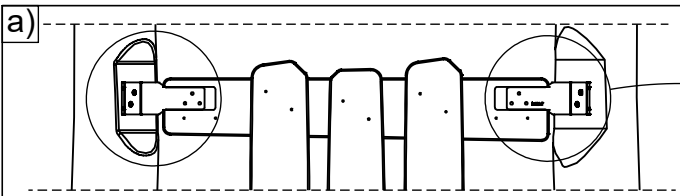
4.



[cm]



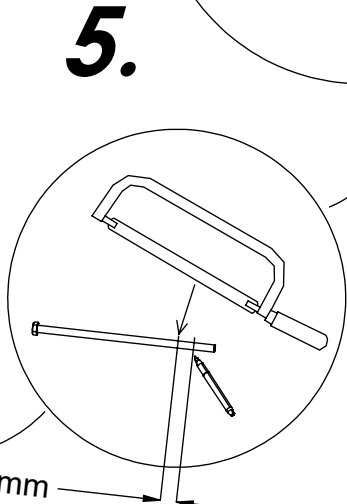
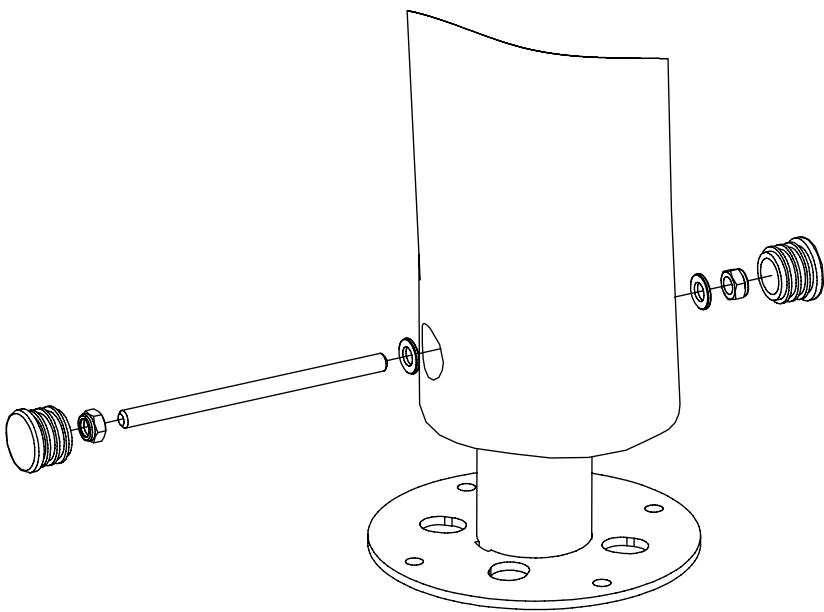
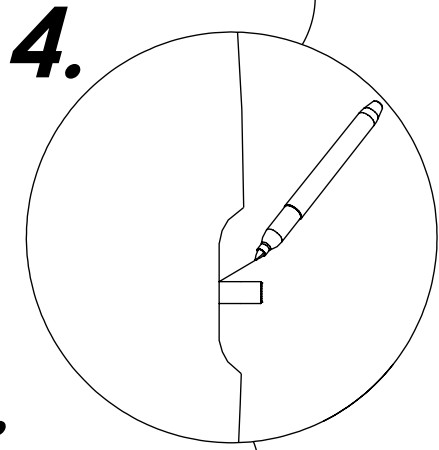
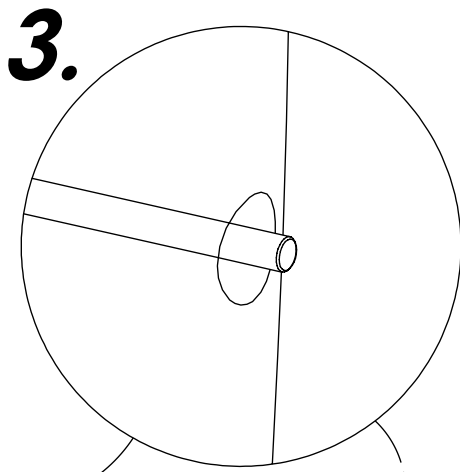
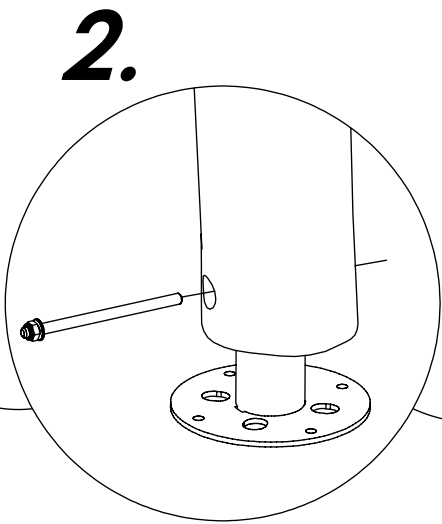
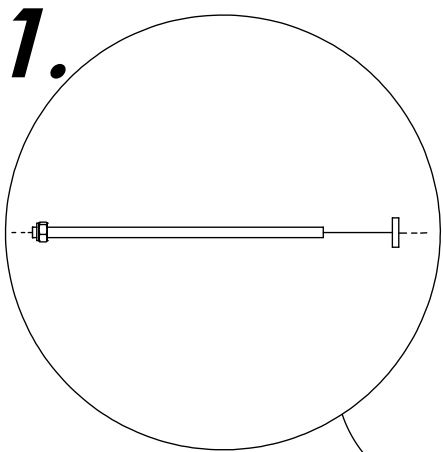
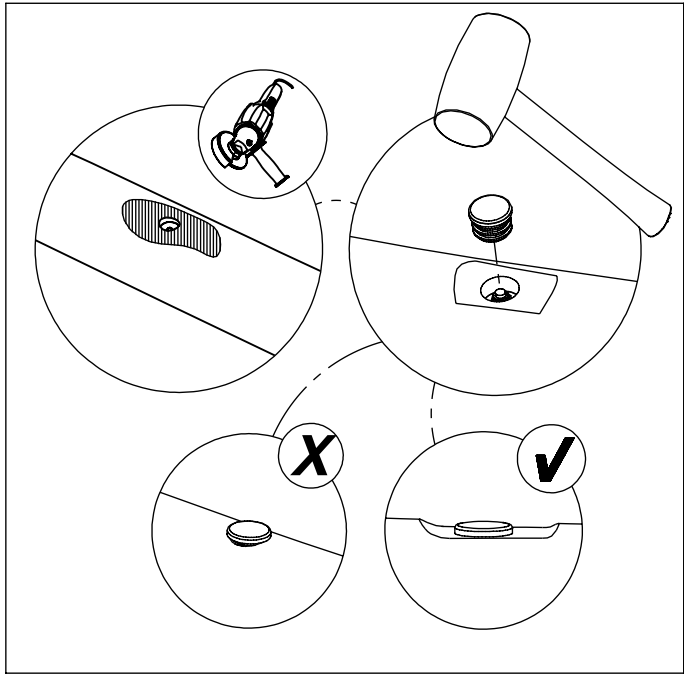
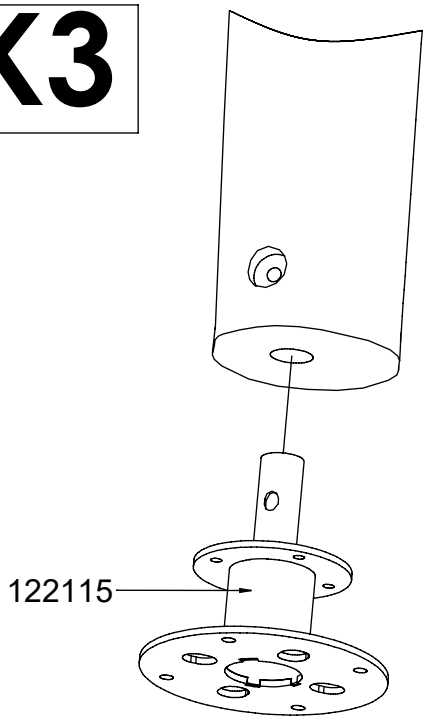
vinci play



[cm]

vinci  
play

# K3



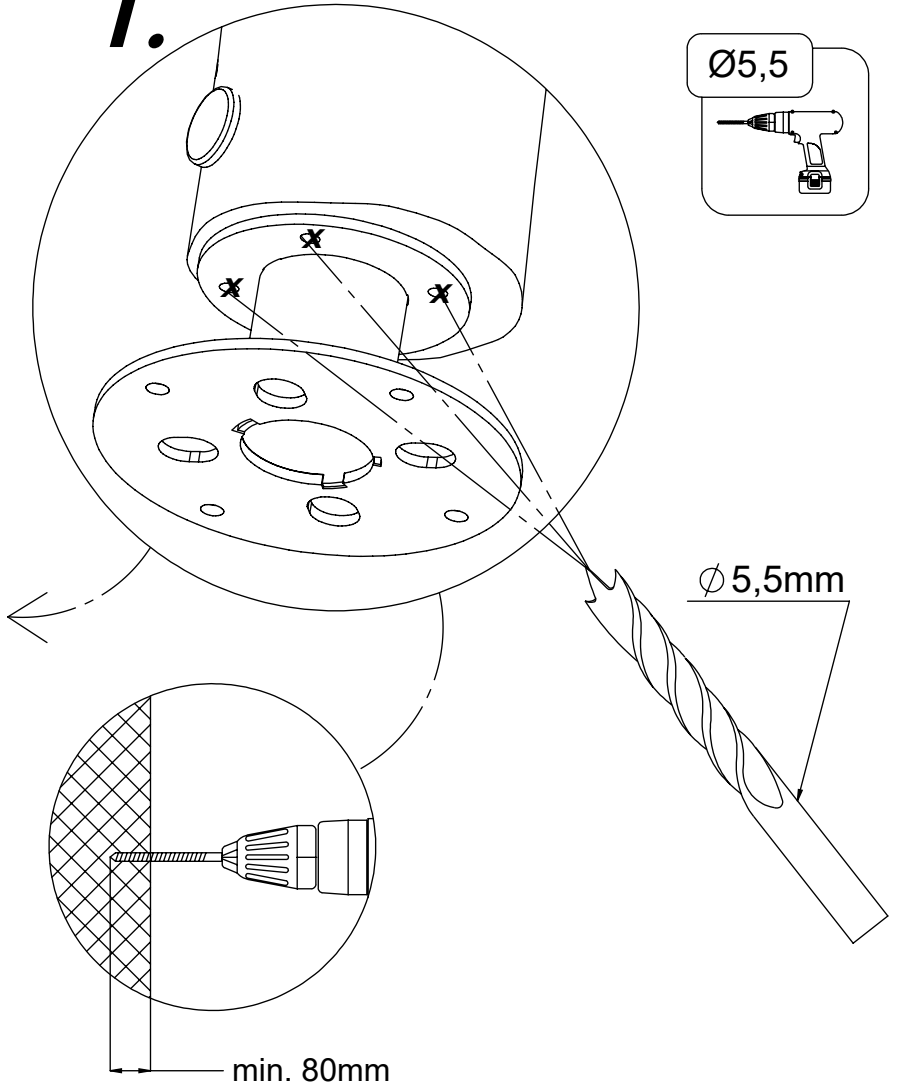
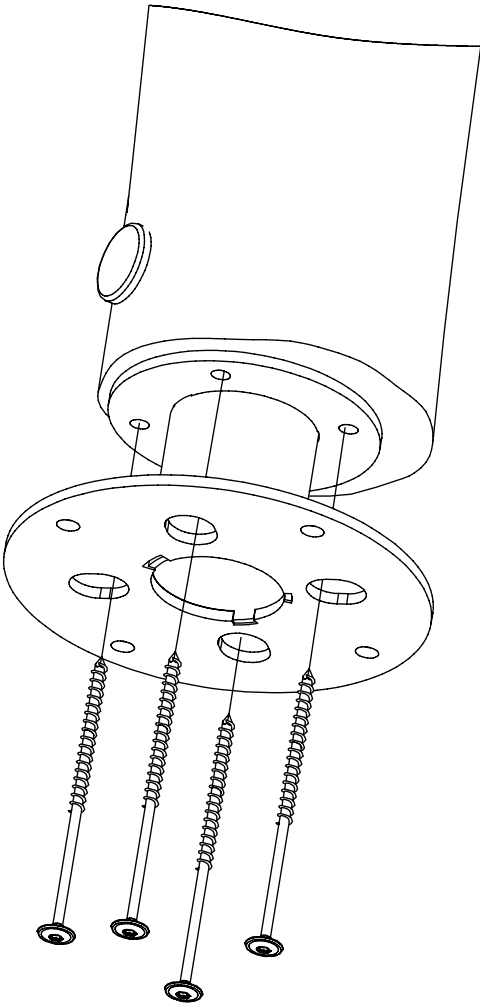
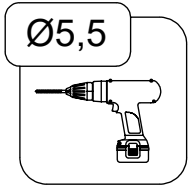
[cm]

12e109

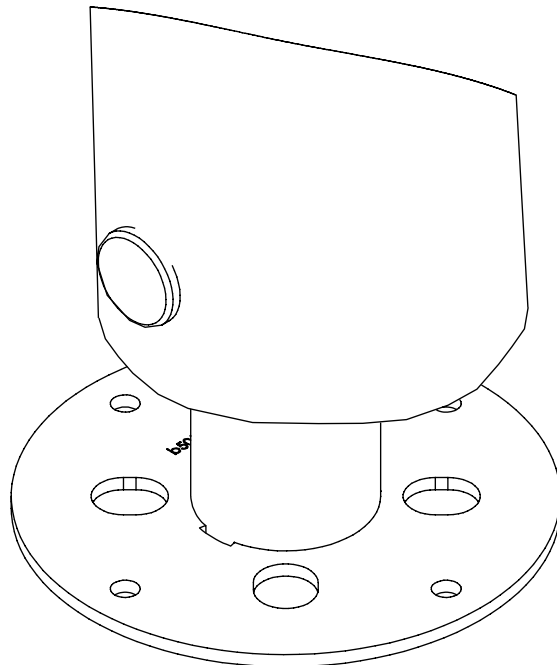
vinci play

# K3

# 1.

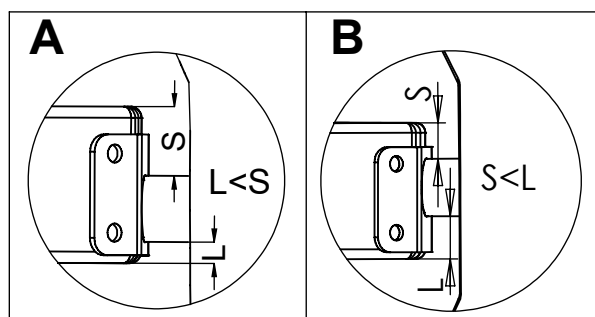
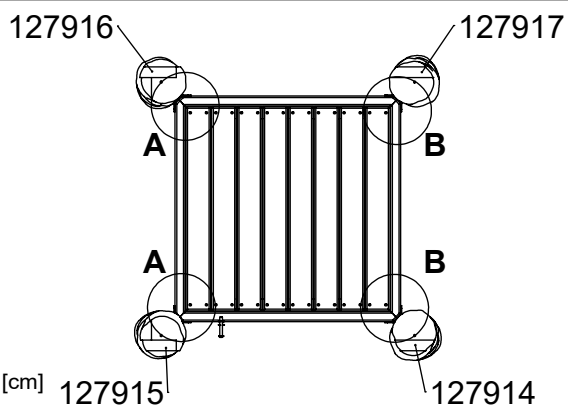
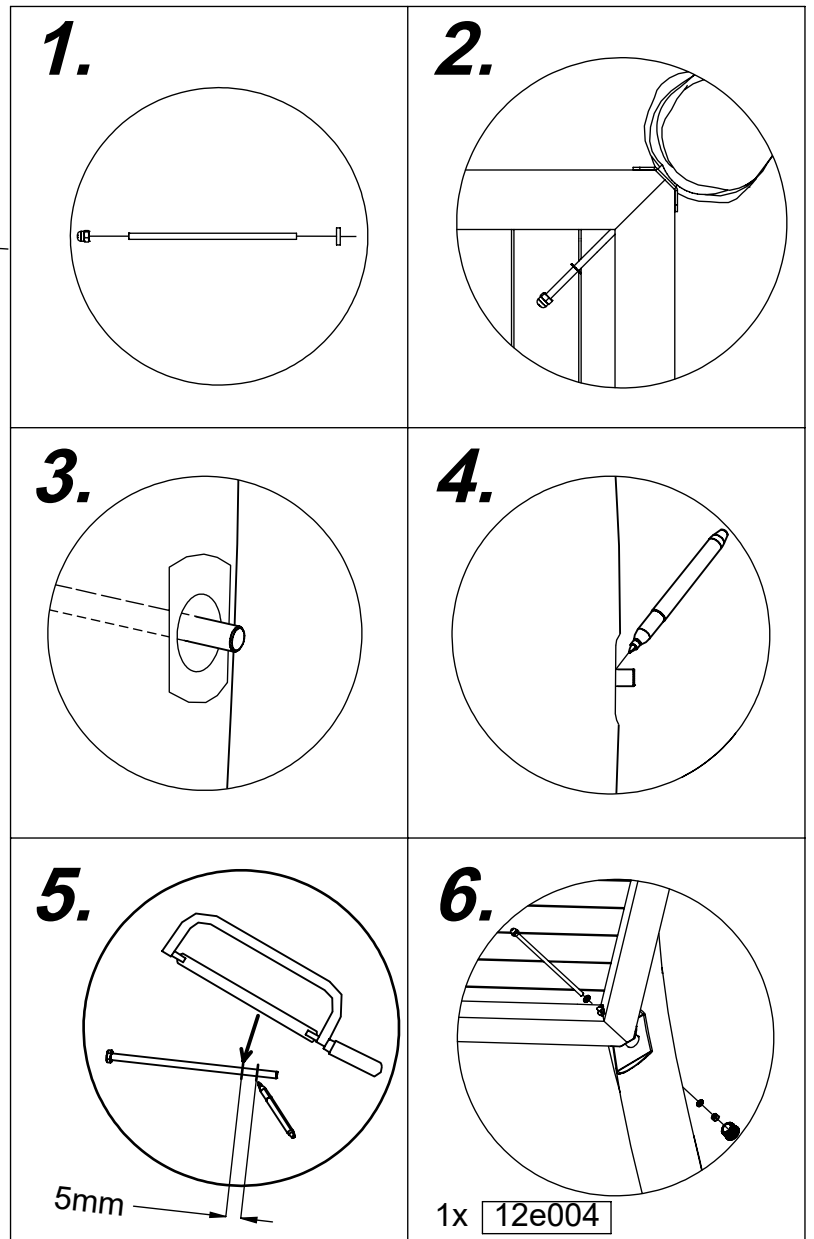
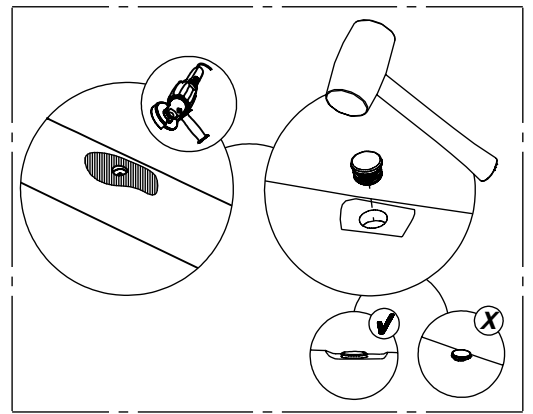
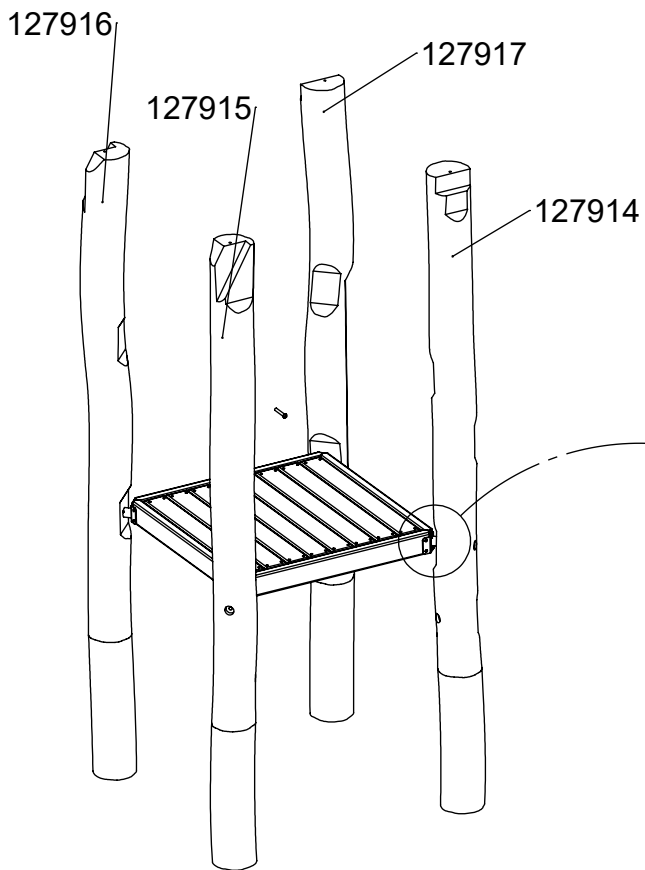


8x120sxt



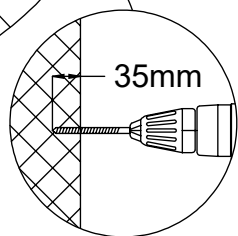
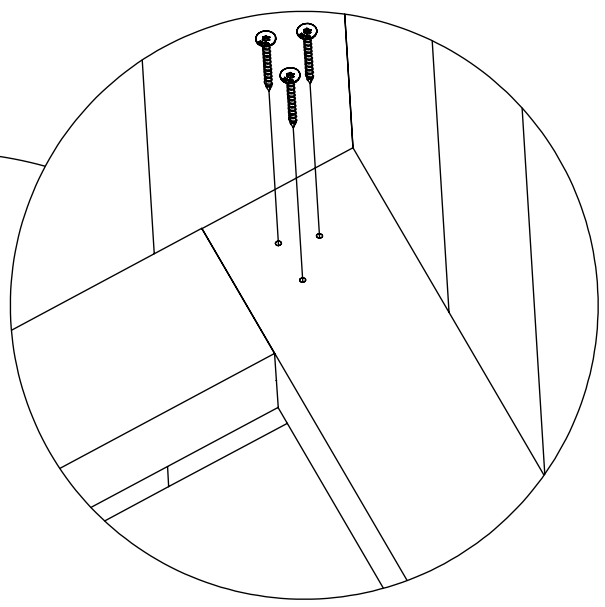
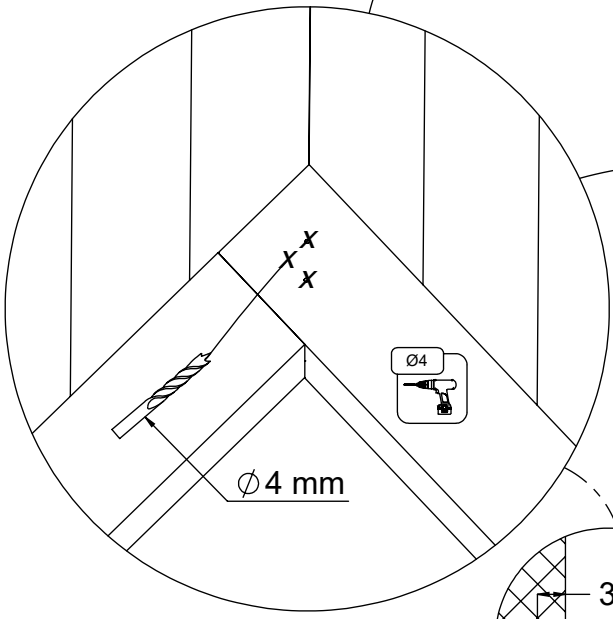
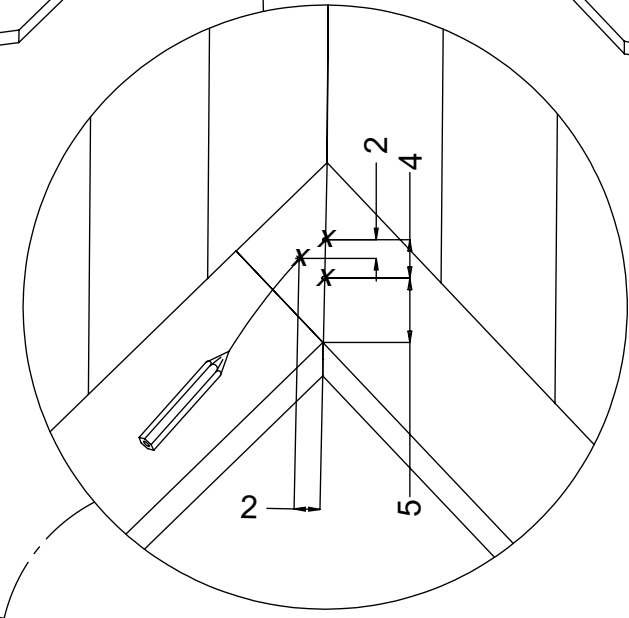
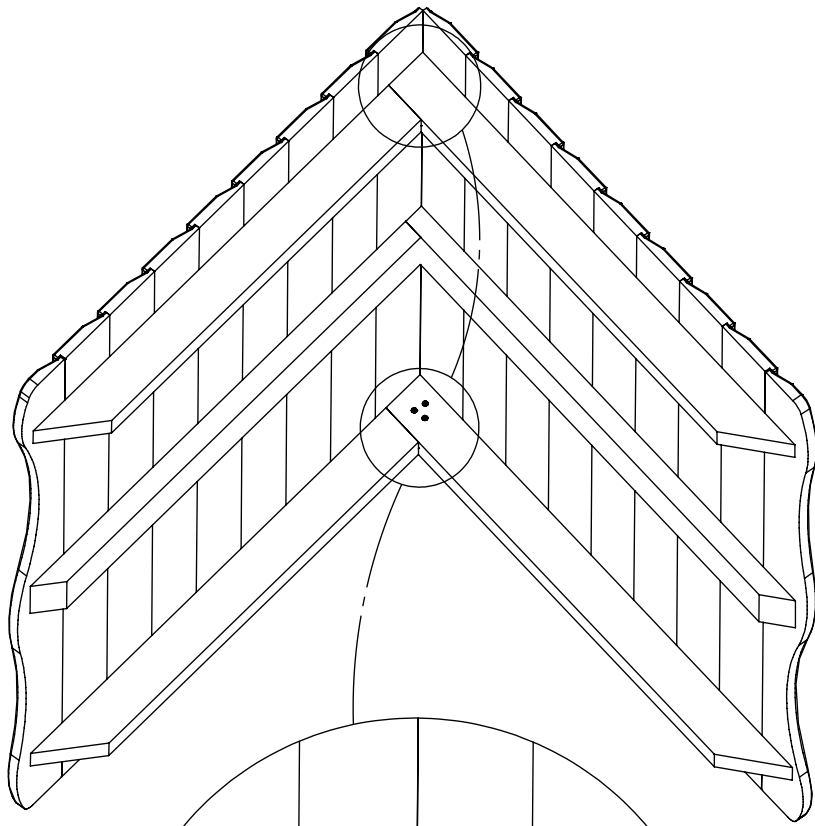
[cm]

vinci  
play



vinci  
play

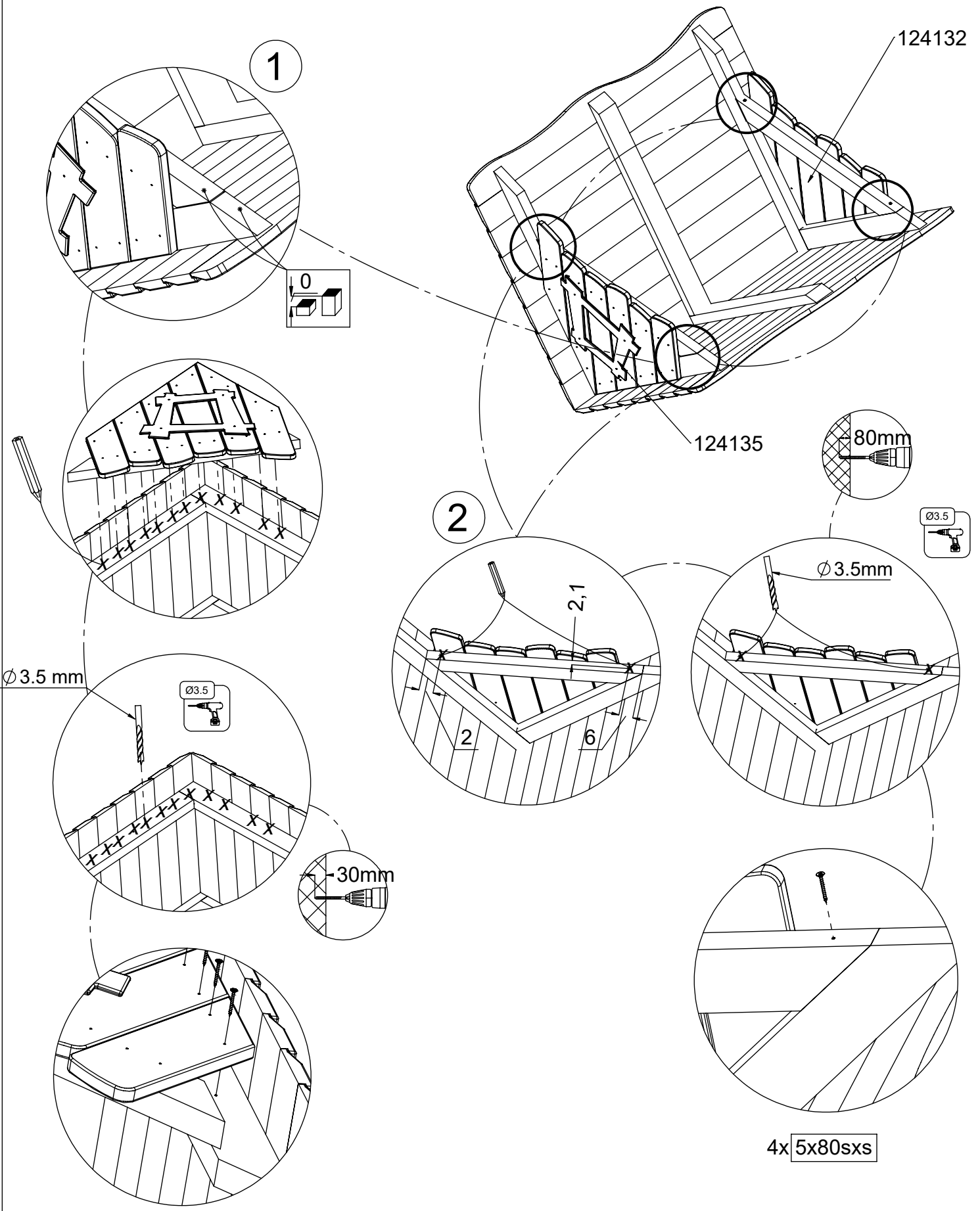




6x 7x35 sxi

[cm]

vinci  
play



124132

1

124135

2

80mm

$\varnothing 3.5$

$\varnothing 3.5$  mm

$\varnothing 3.5$

30mm

2

2,1

6

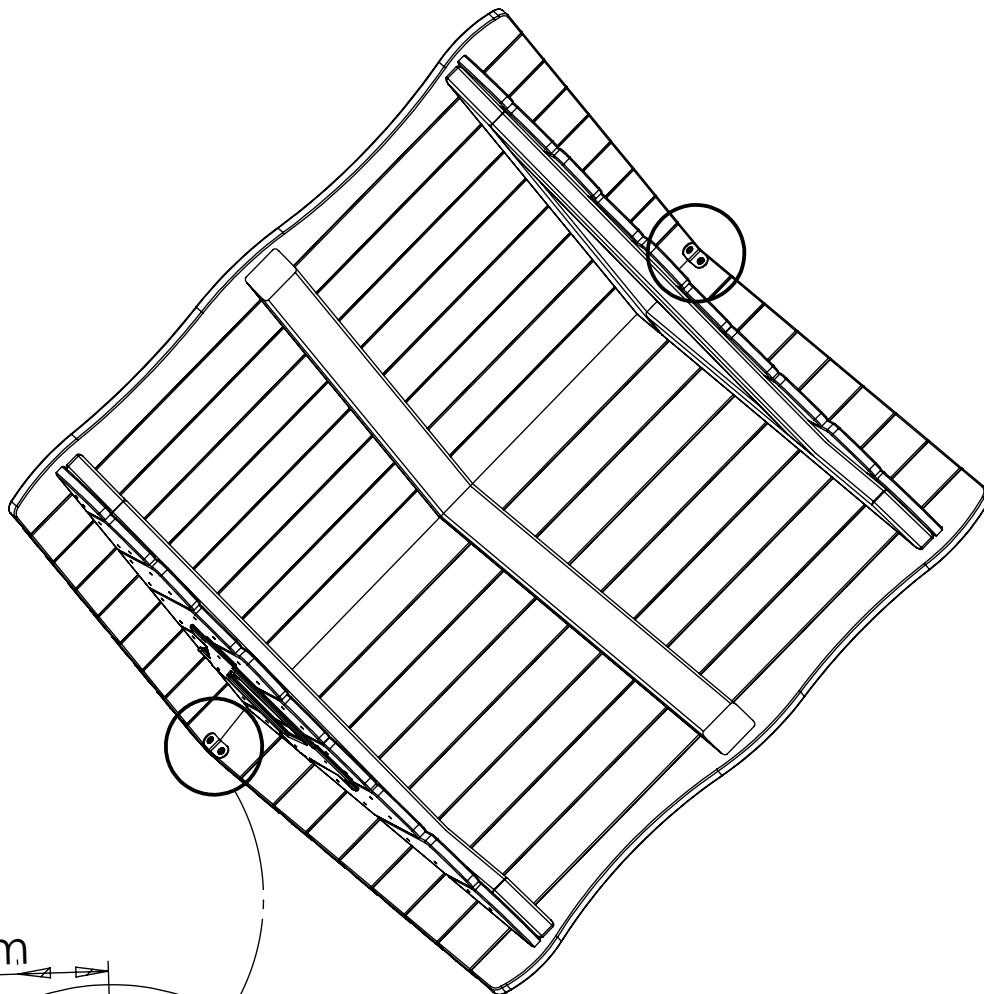
$\varnothing 3.5$  mm

4x 5x80sxs

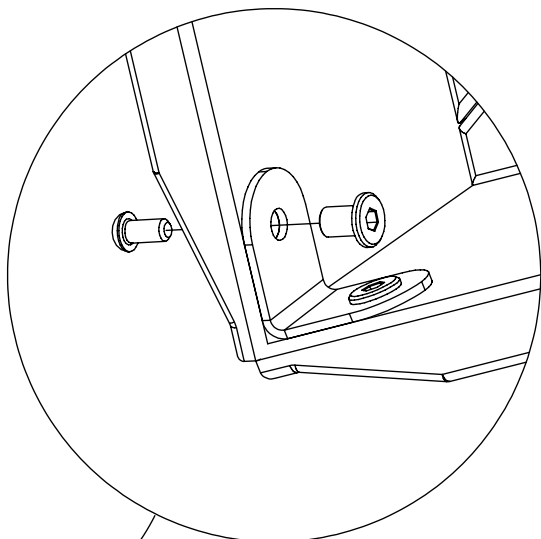
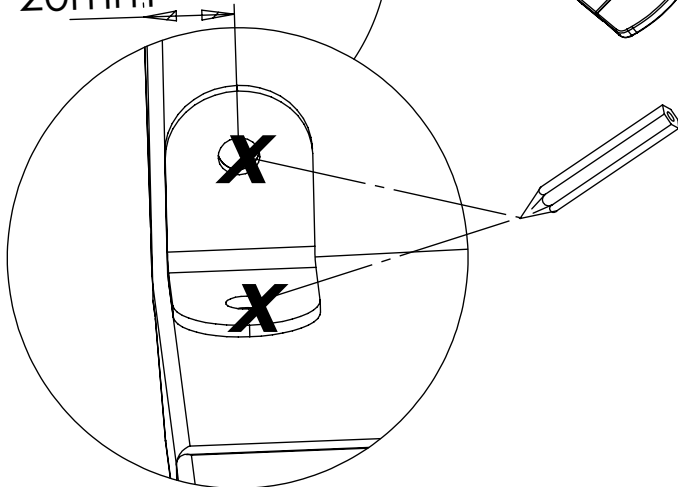
24x 5x50sxs

vinci play

[cm]

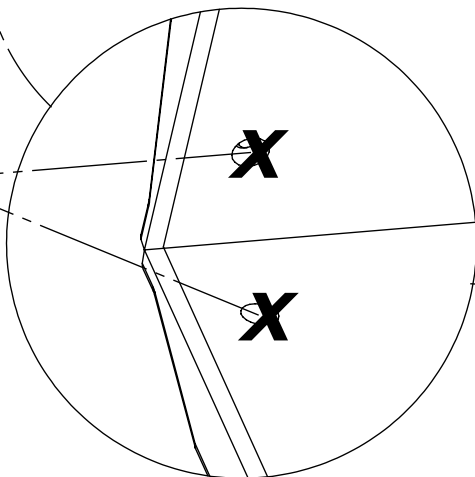
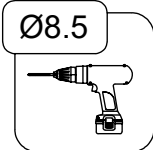


20mm



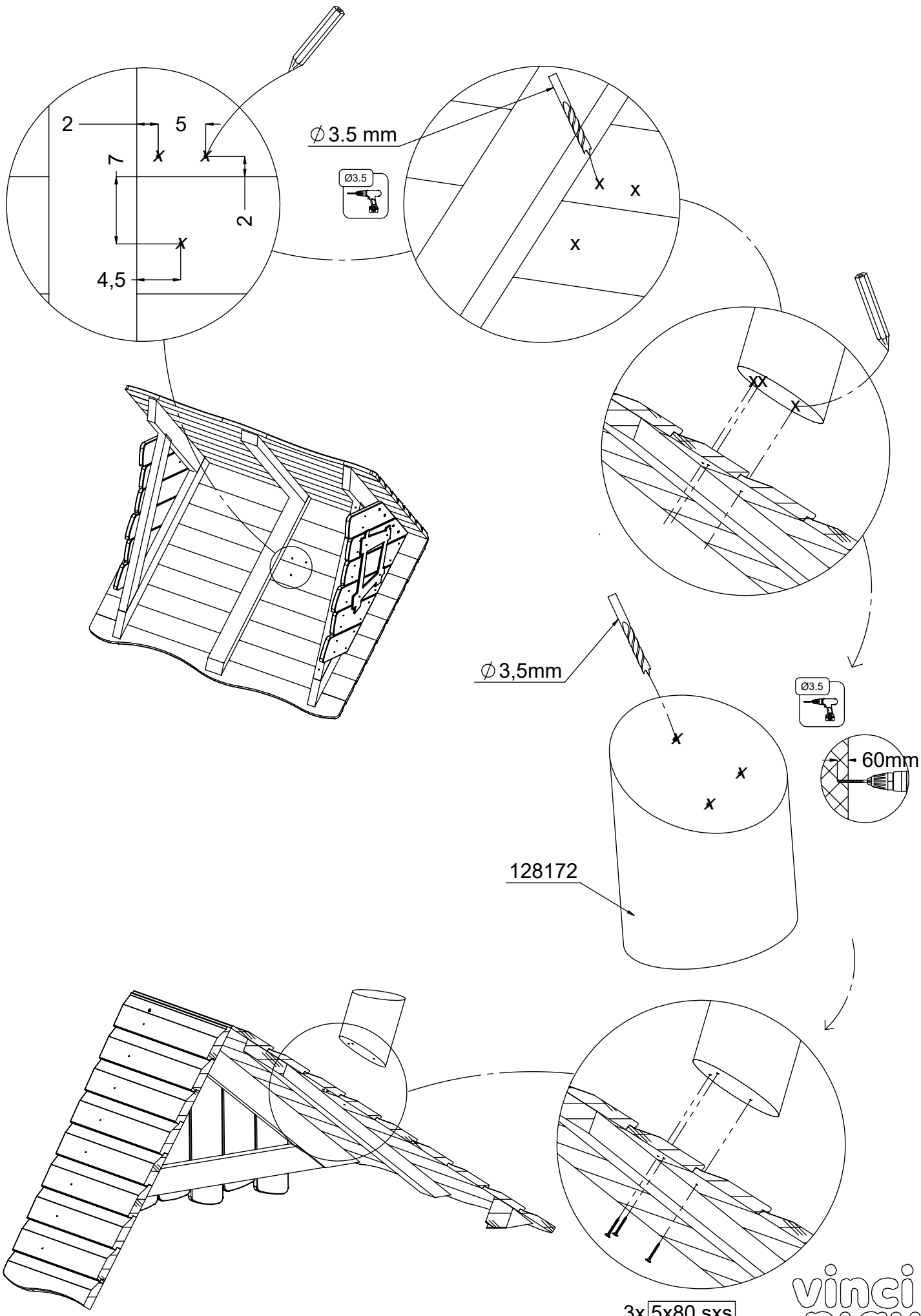
1x 12e132

Ø 8.5 mm



[cm]

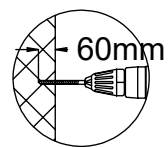
vinci  
play



Ø 3.5 mm



Ø 3,5mm



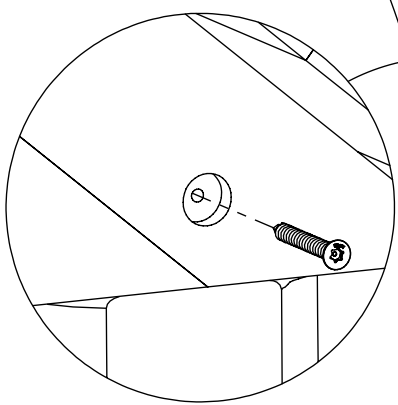
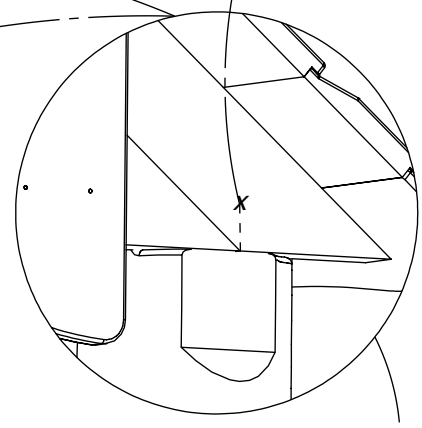
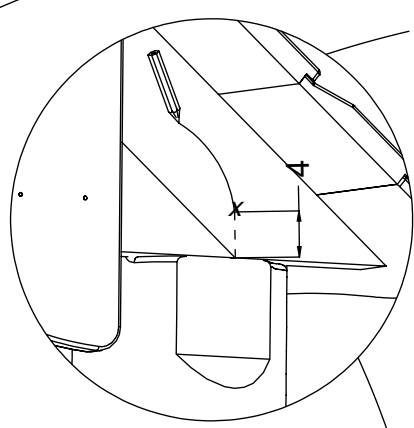
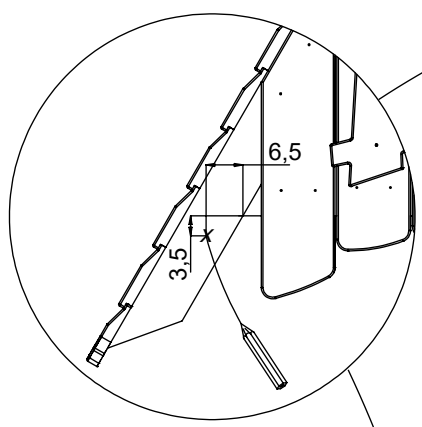
128172

3x 5x80 sxs

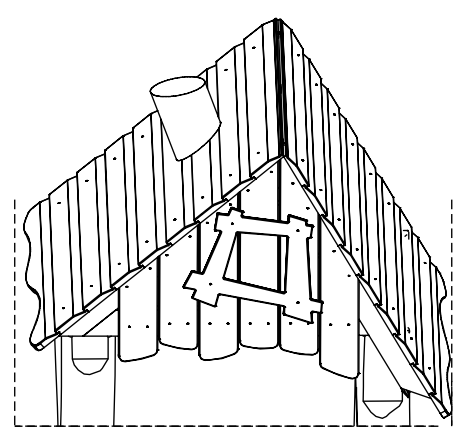
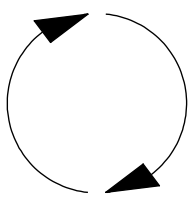
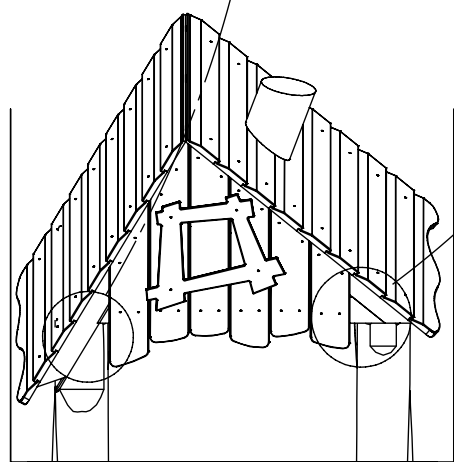
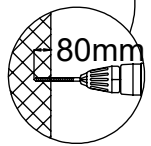
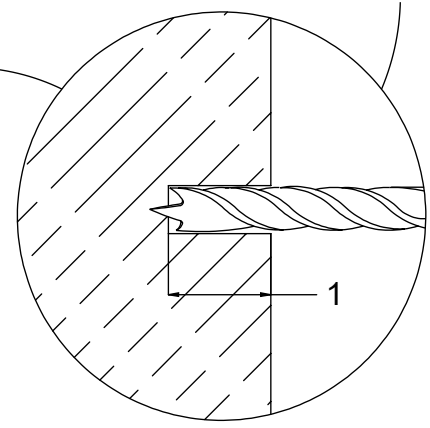
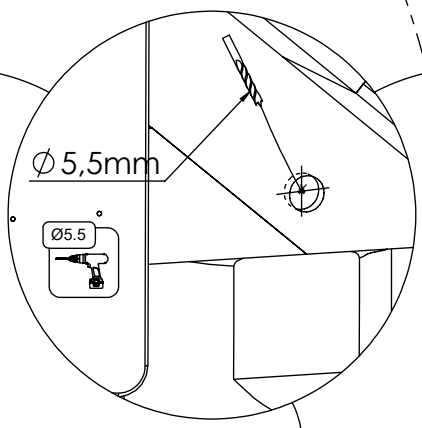
vinci play

[cm]

Ø24 mm

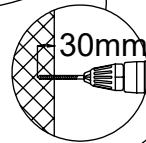
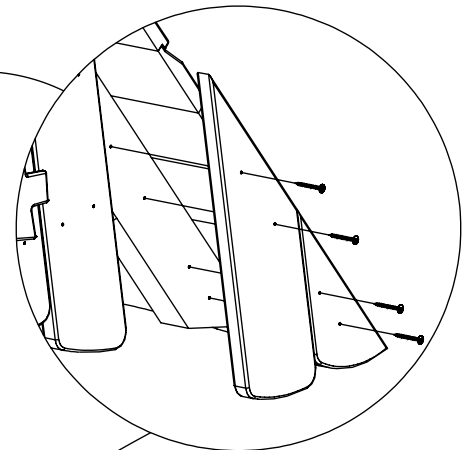
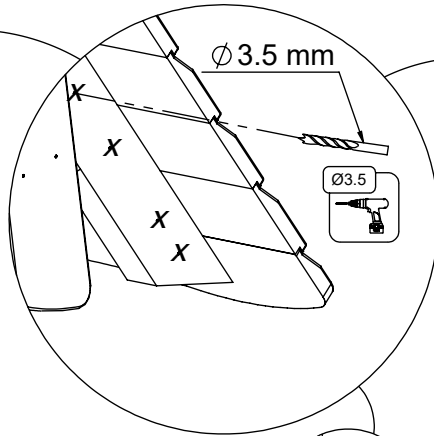
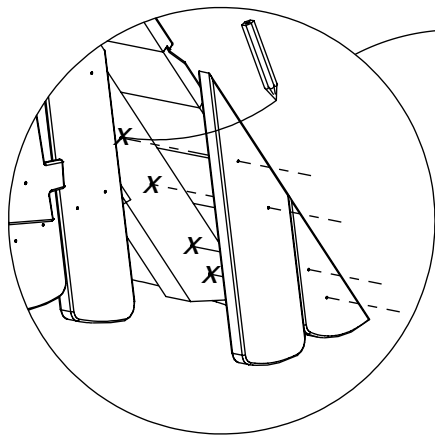


4x 8x80sxt

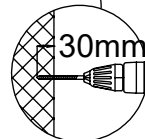
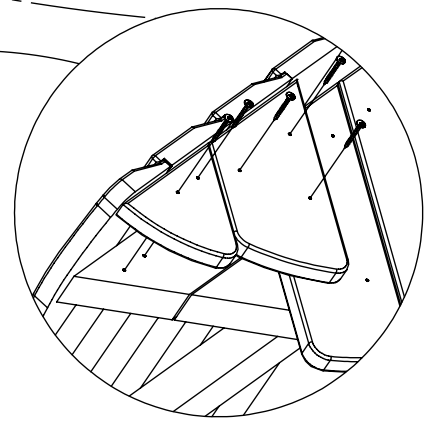
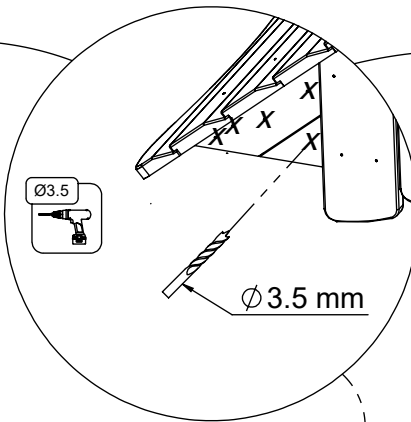
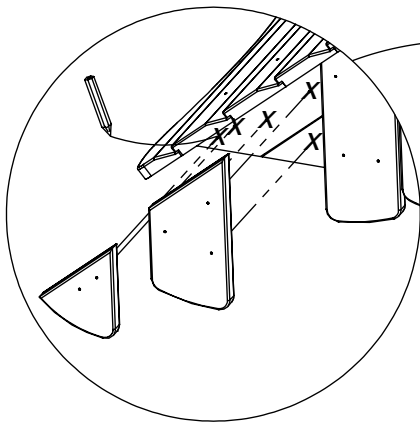
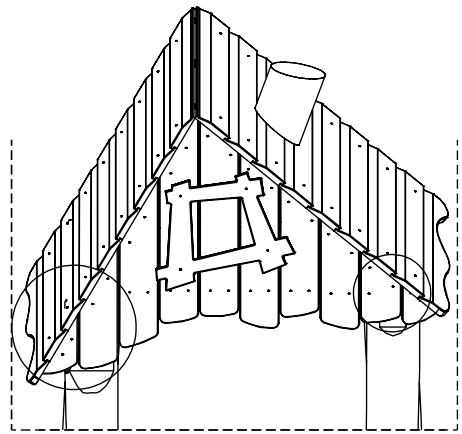
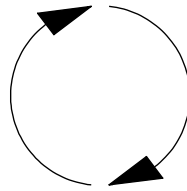
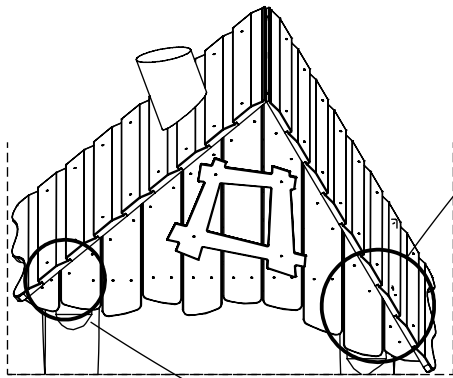


[cm]

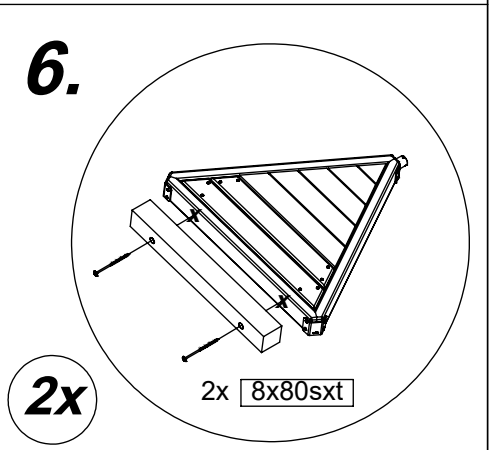
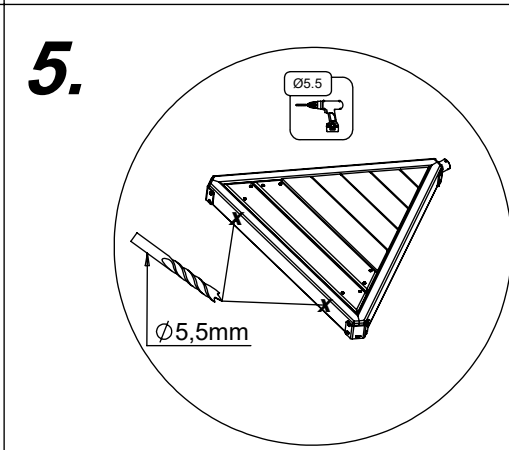
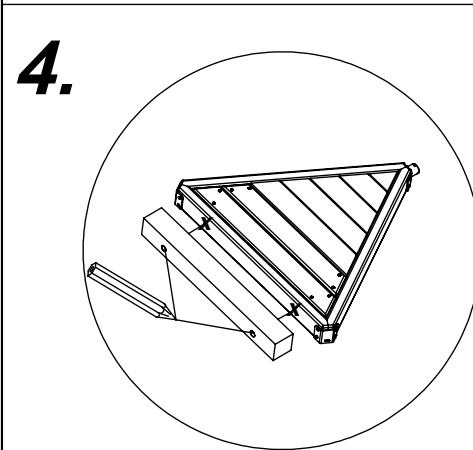
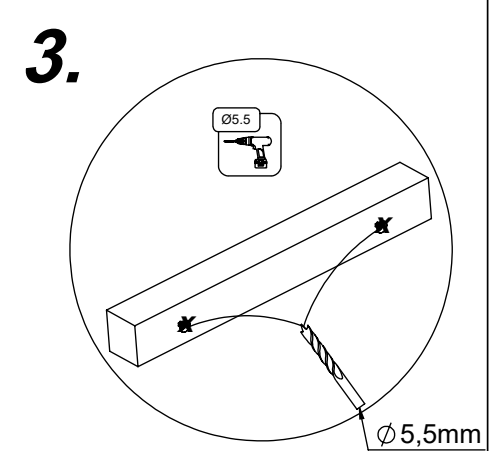
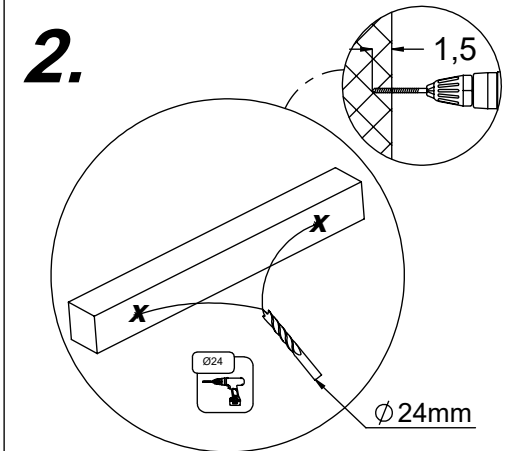
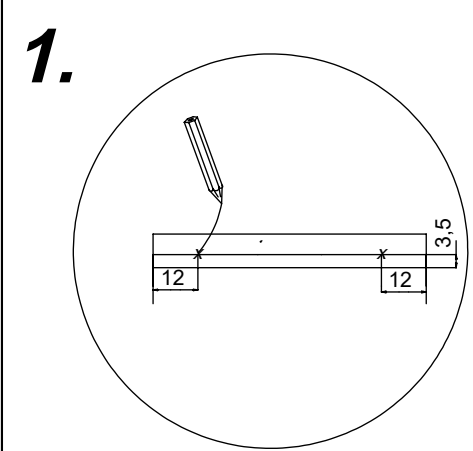
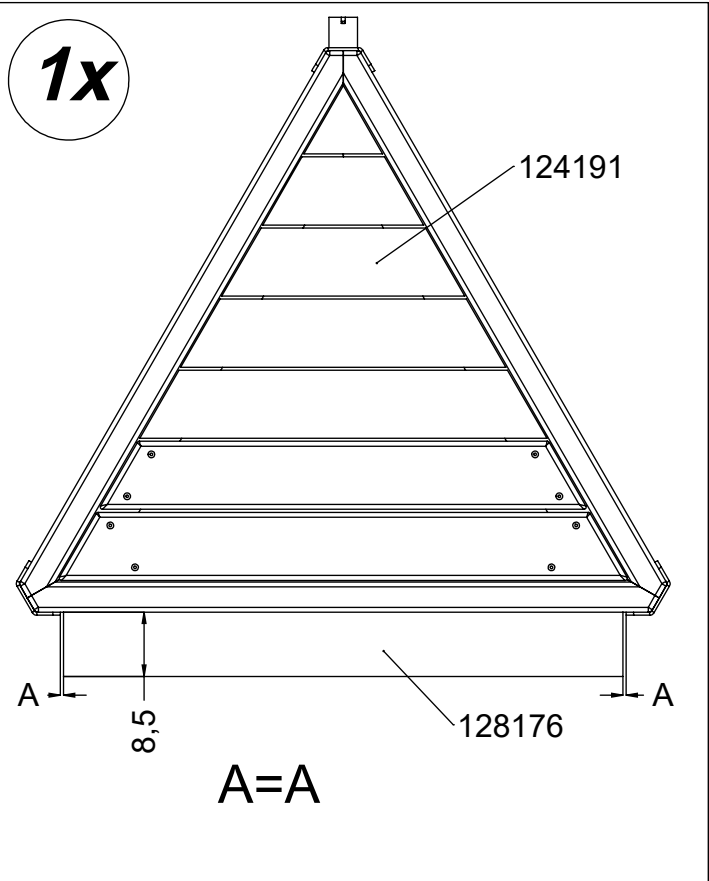
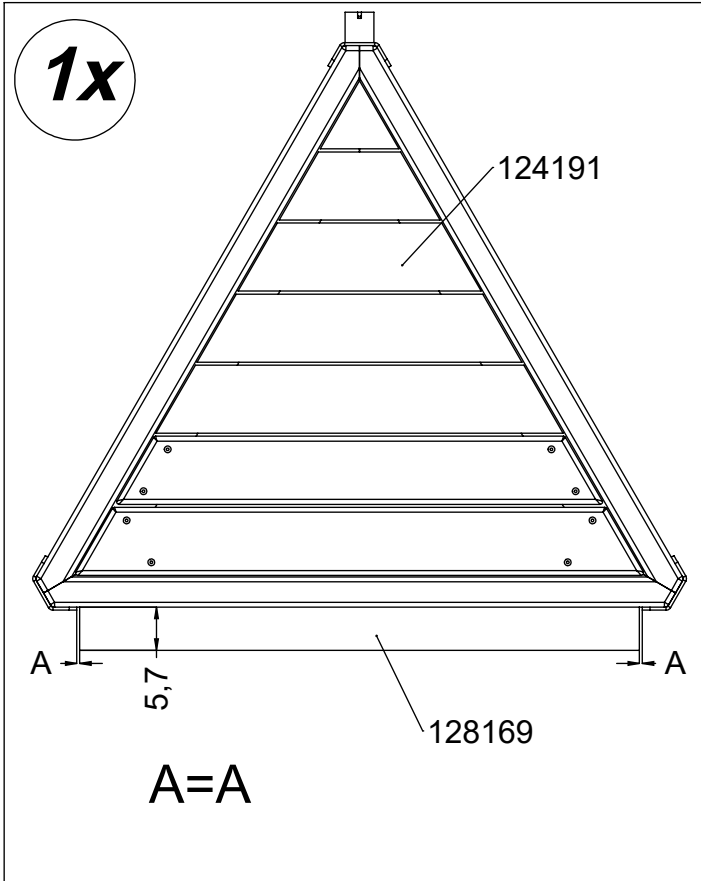
vinci play



8x 5x50sxs

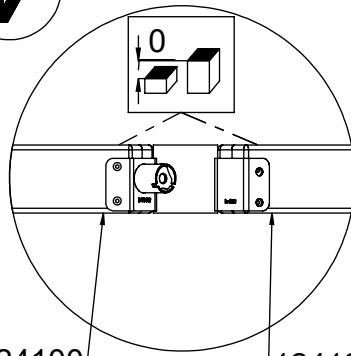
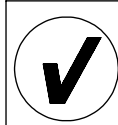
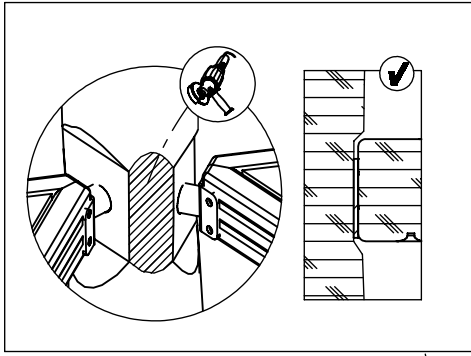


10x 5x50sxs



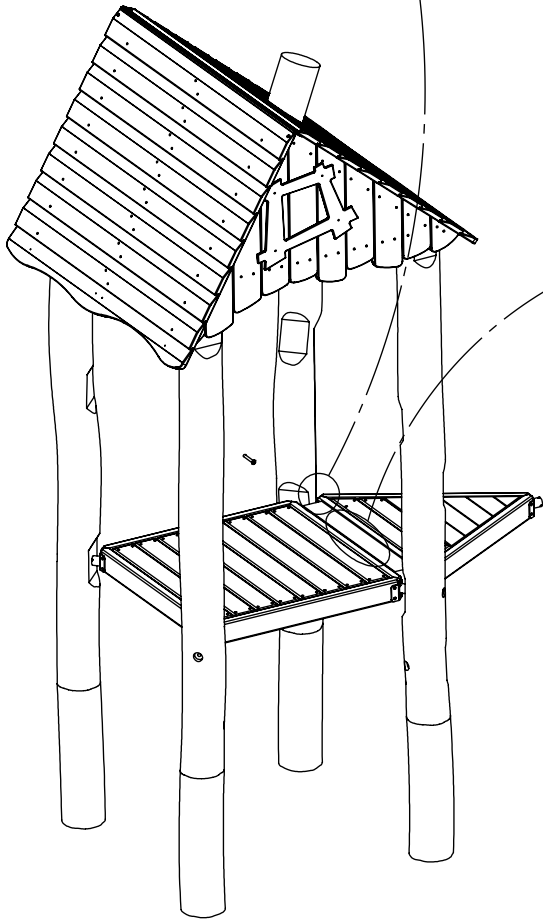
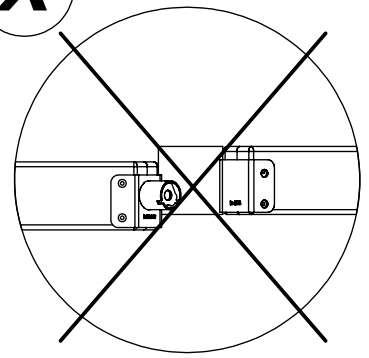
[cm]

vinci  
play

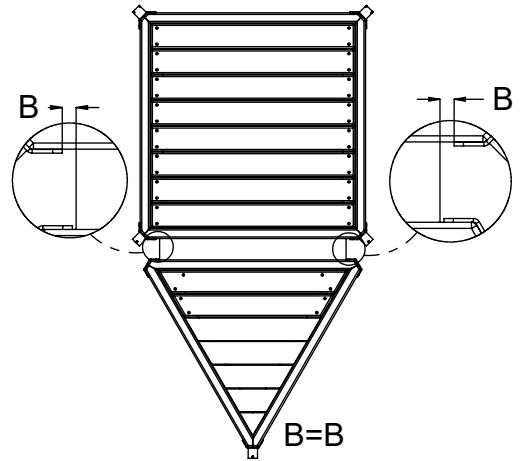


124100

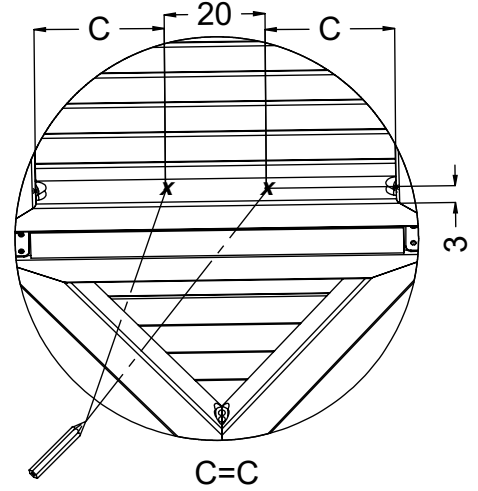
124191



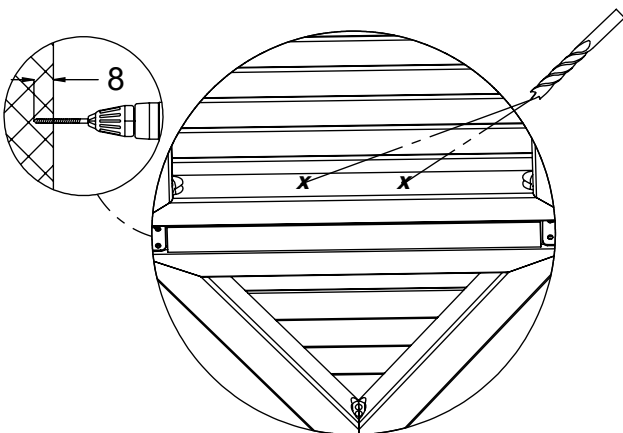
1.



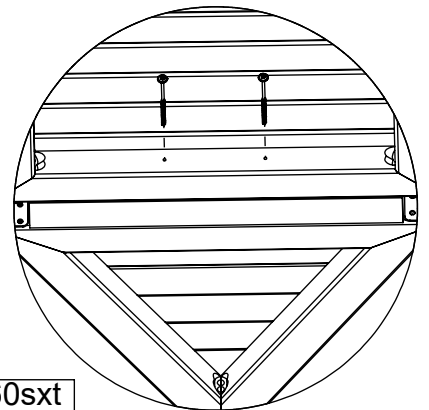
2.



3.



4.

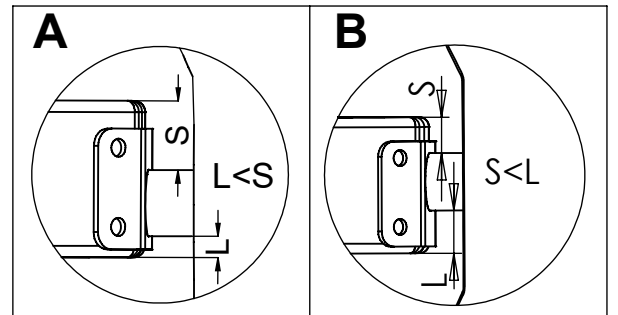
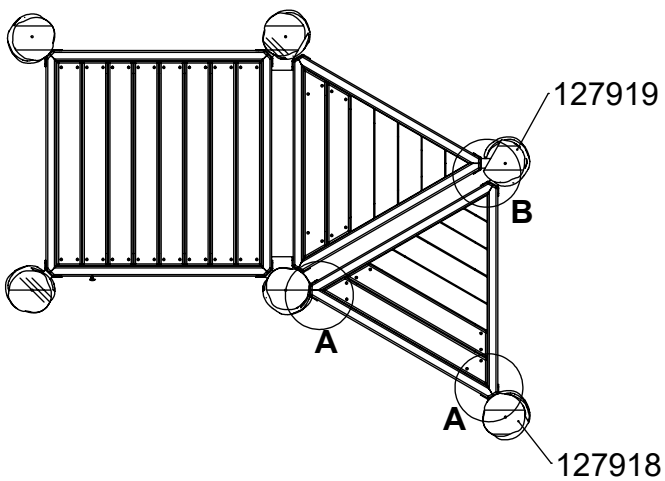
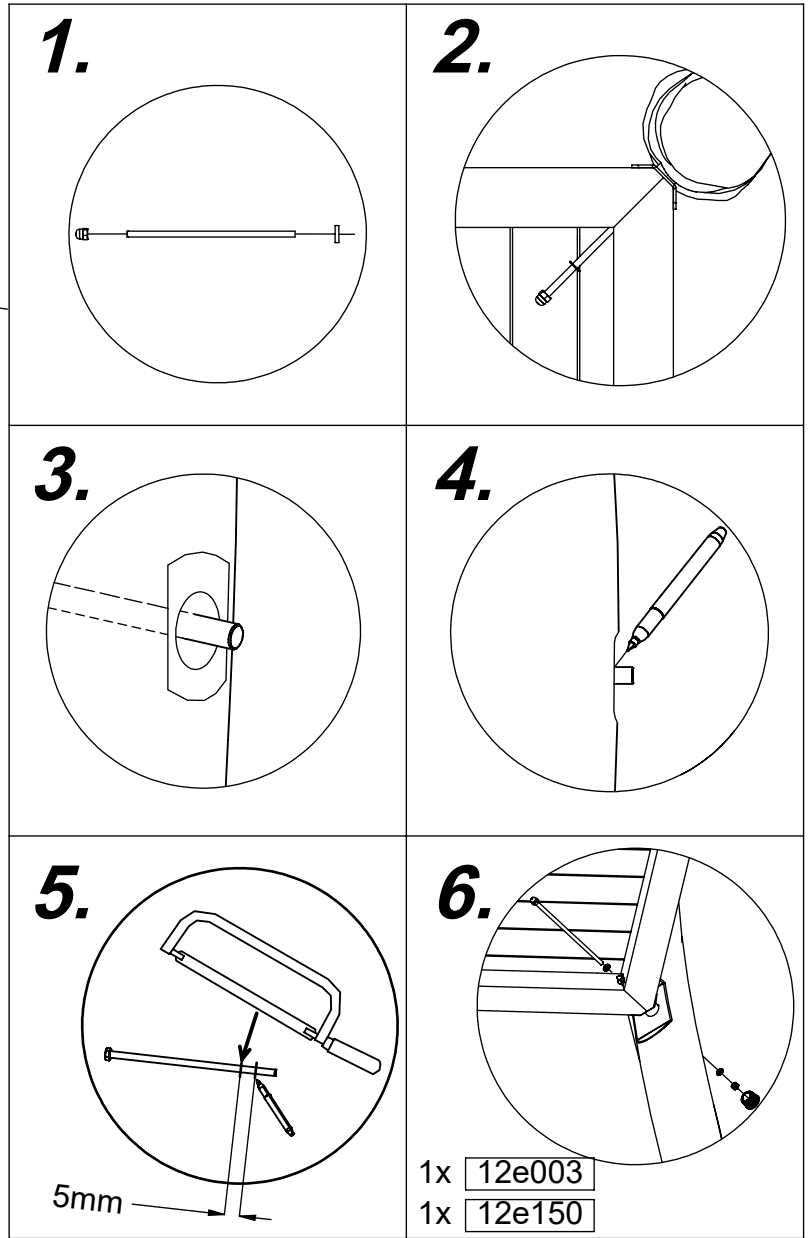
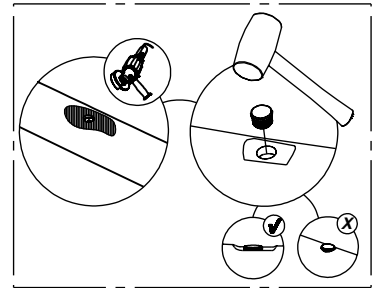
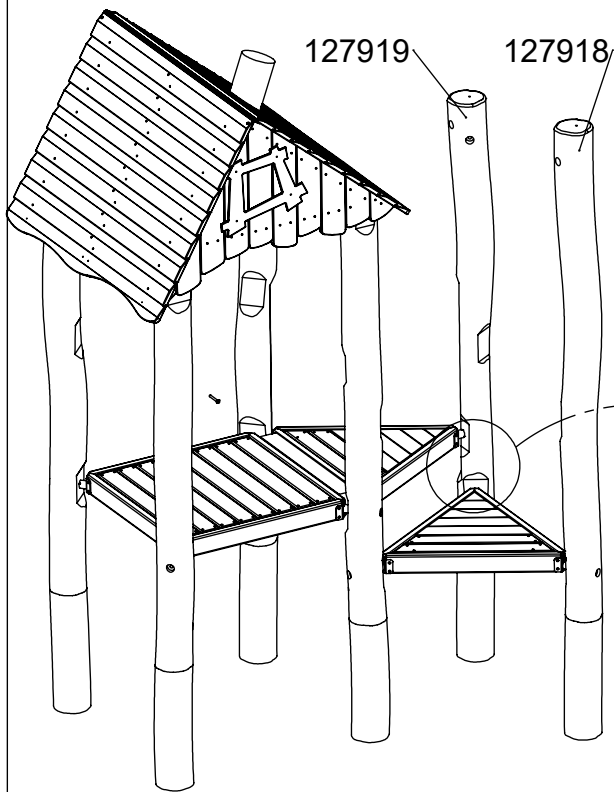


2x 8x160sxt

[cm]

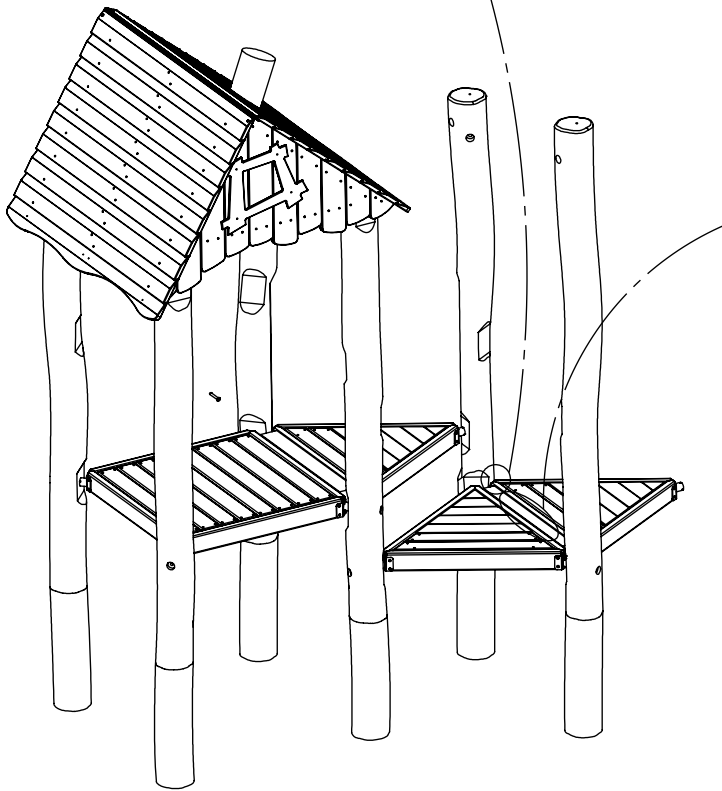
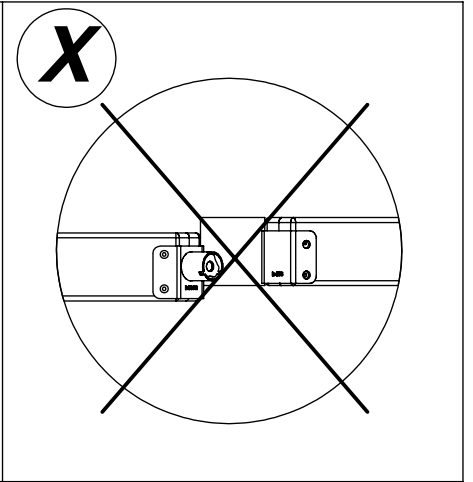
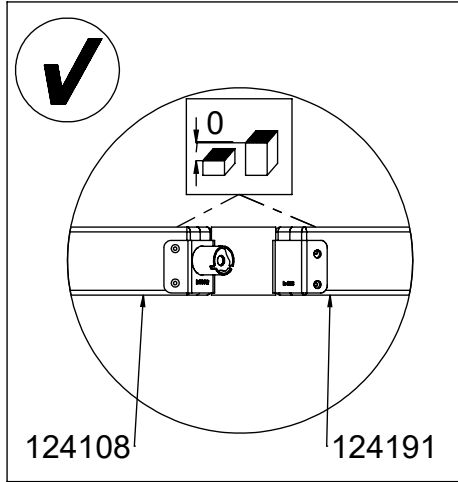
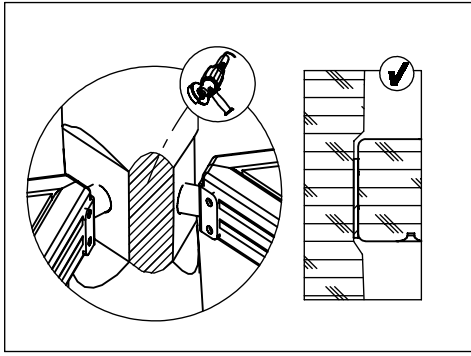
vinci  
play



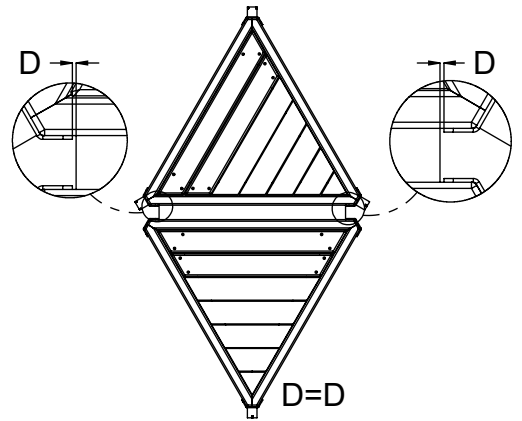


[cm]

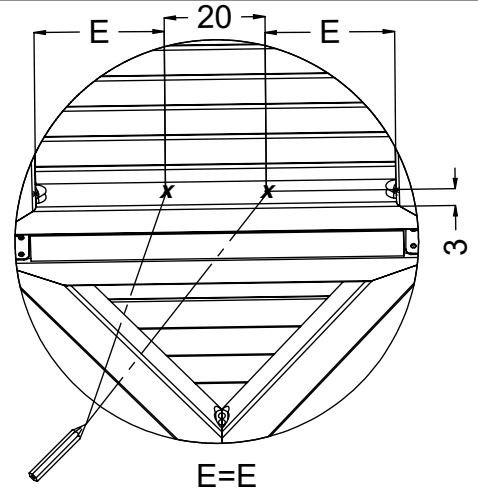
vinci  
play



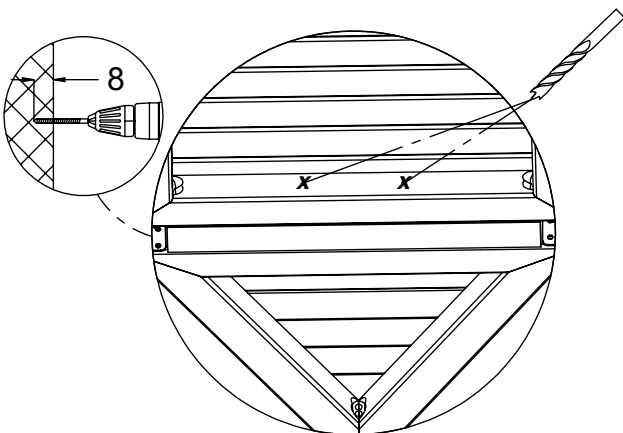
**1.**



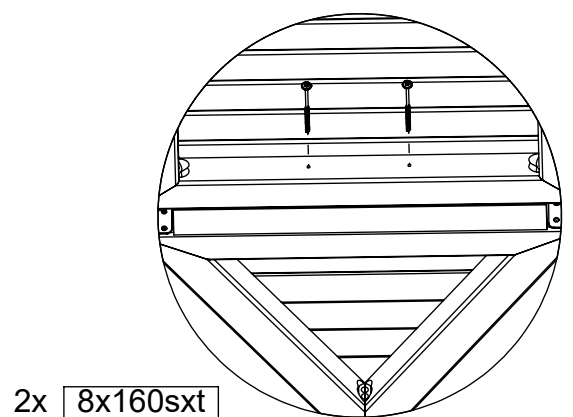
**2.**



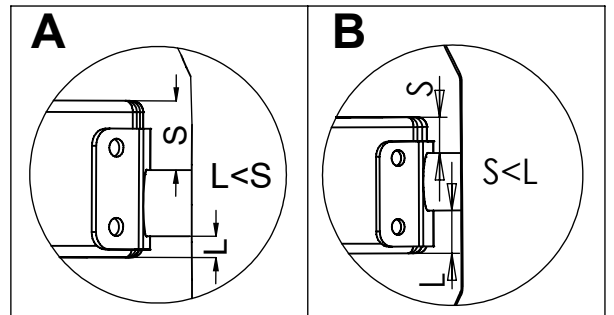
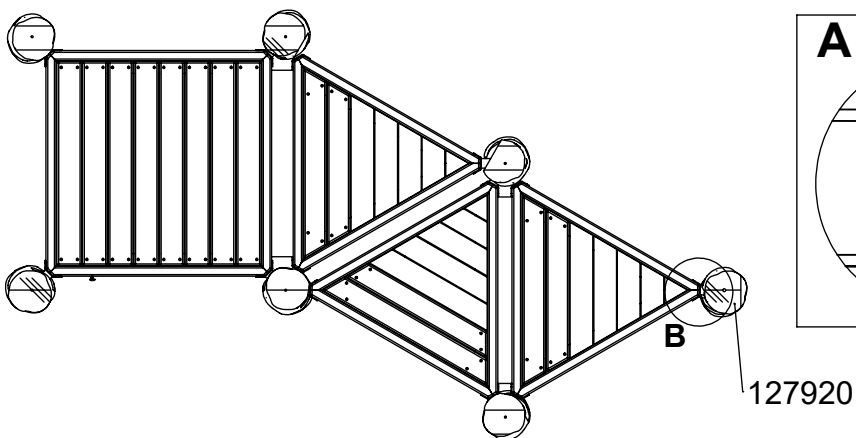
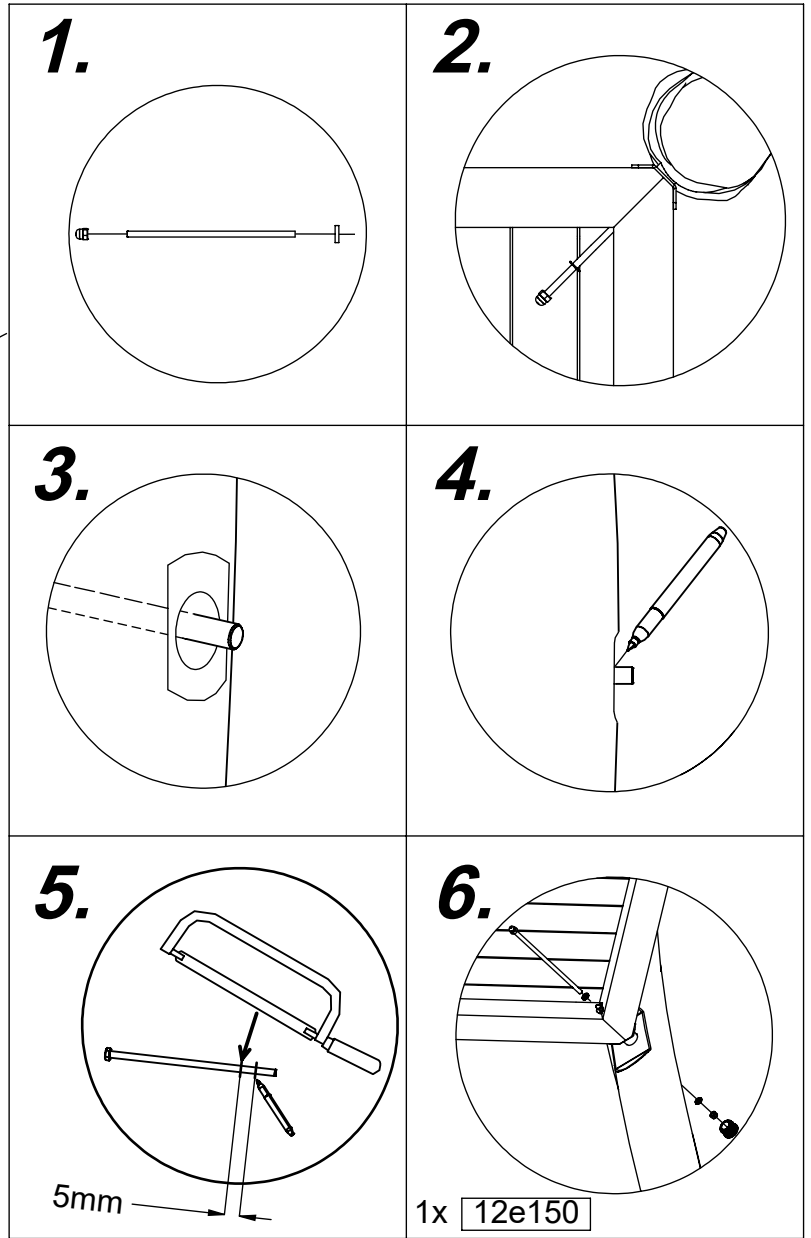
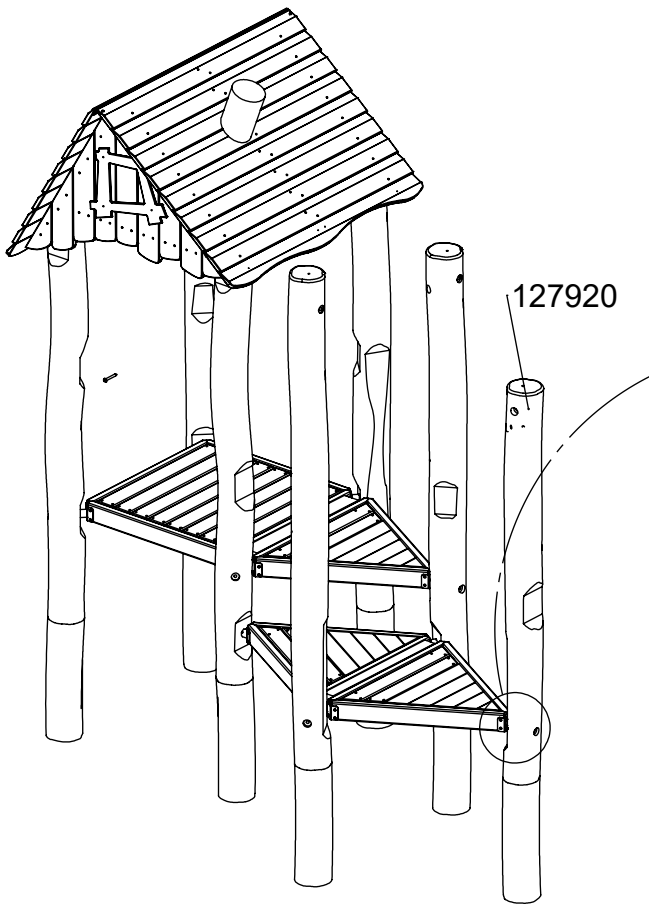
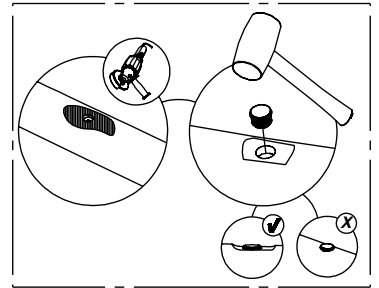
**3.**



**4.**

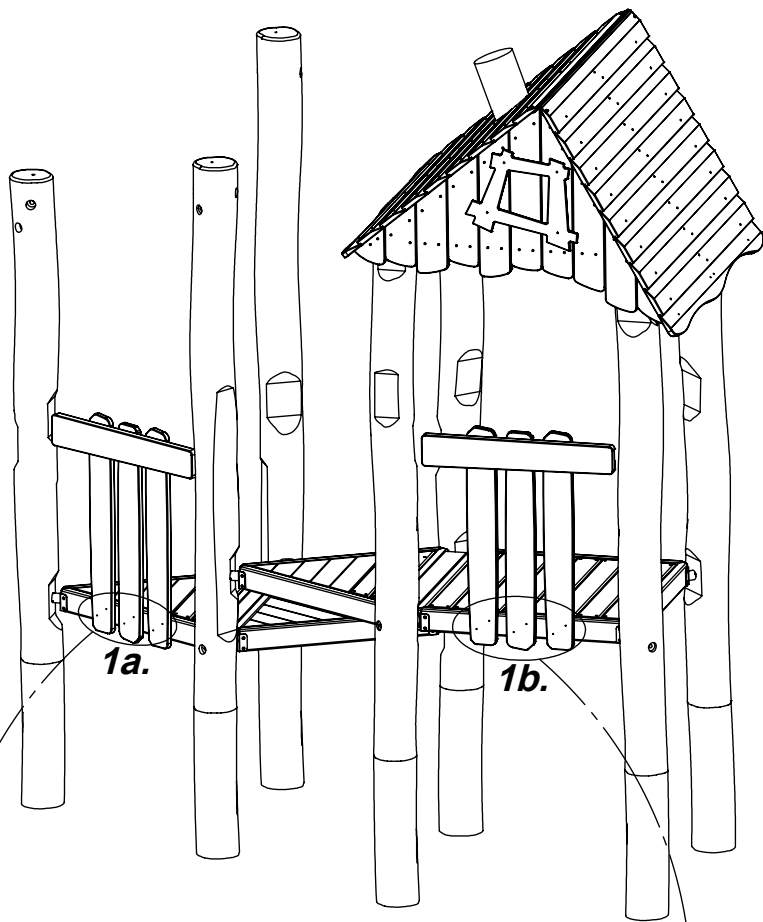


2x 8x160sxt

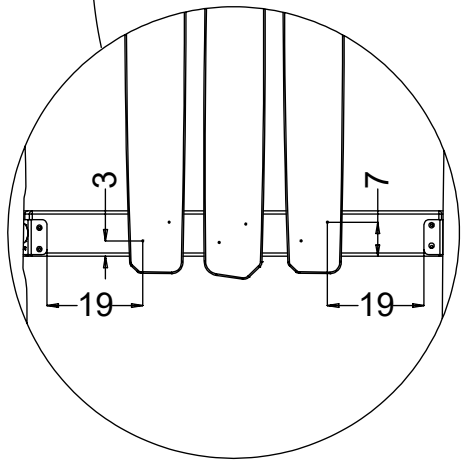


[cm]

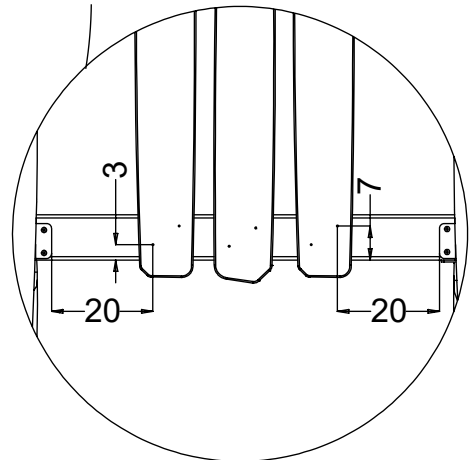
vinci  
play



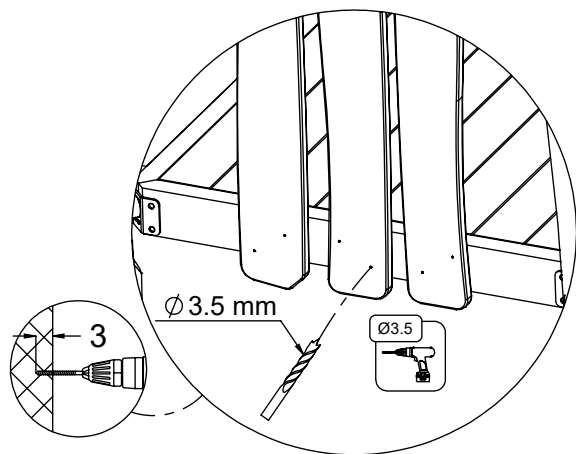
**1a.**



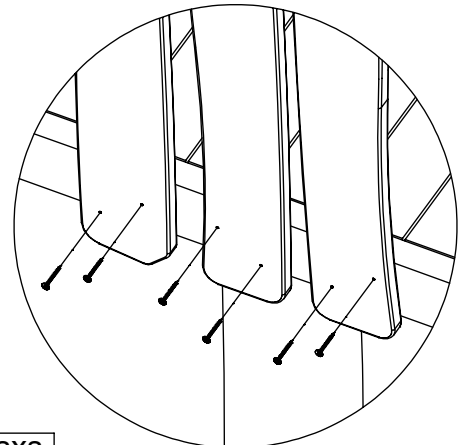
**1b.**



**2.**



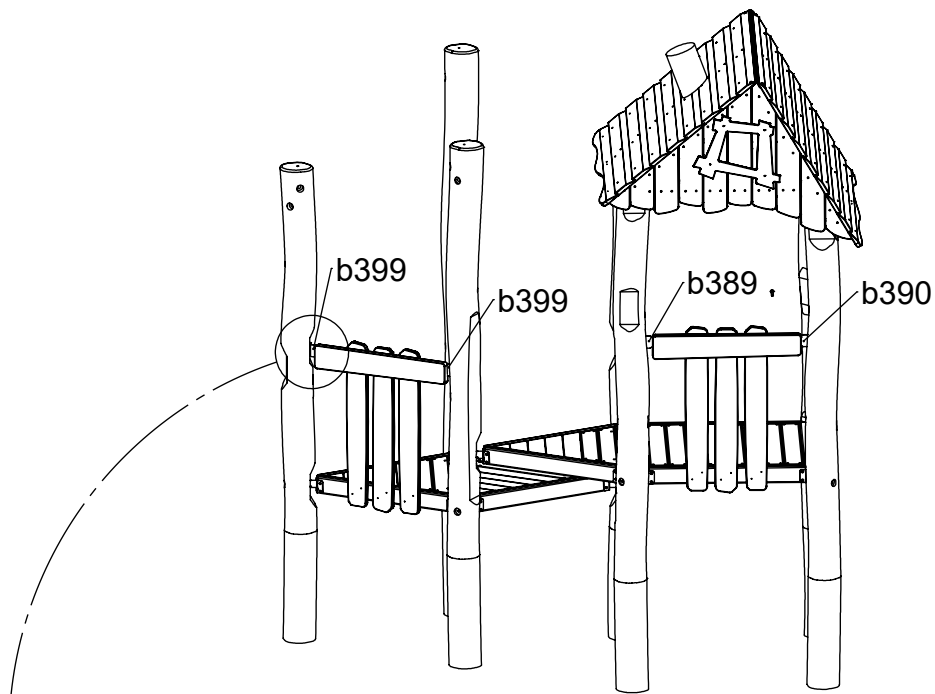
**3.**



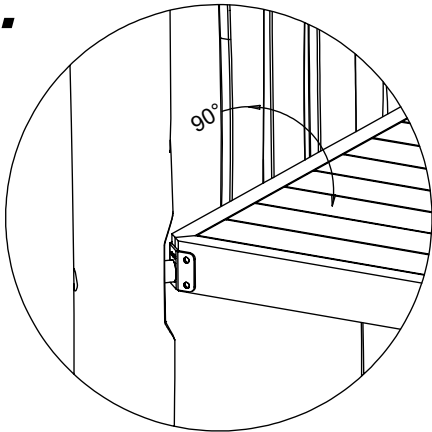
12x 5x50sxs

[cm]

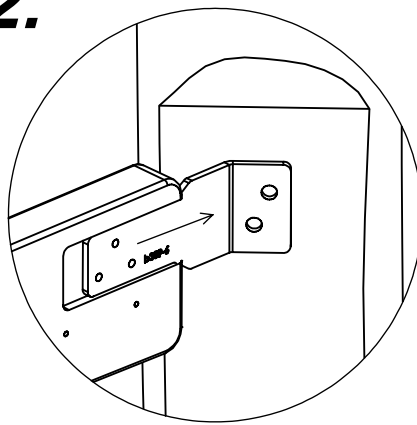
vinci  
play



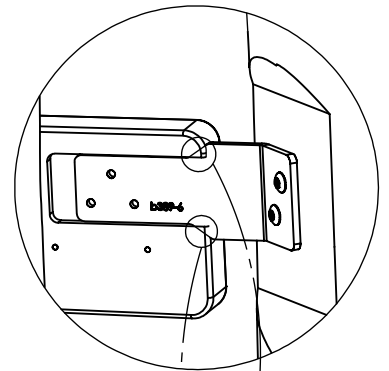
**1.**



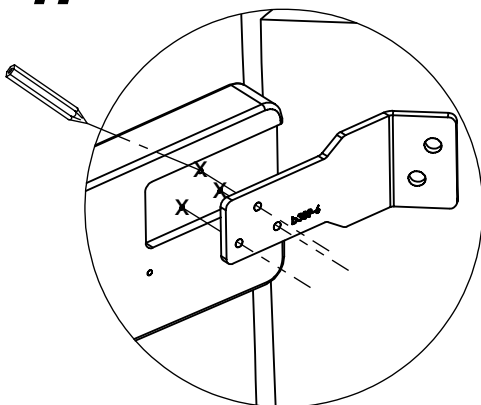
**2.**



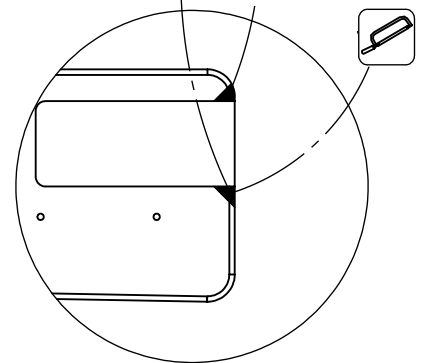
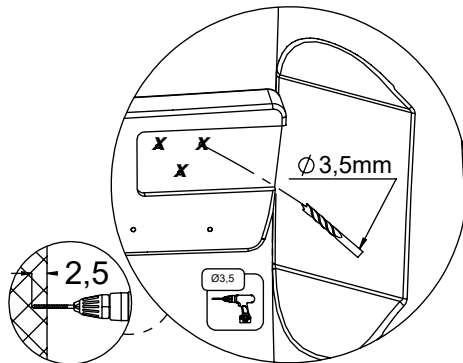
**3.**



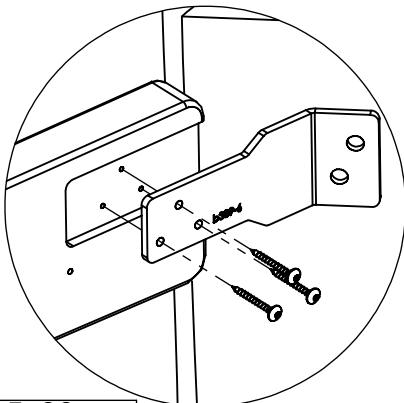
**4.**



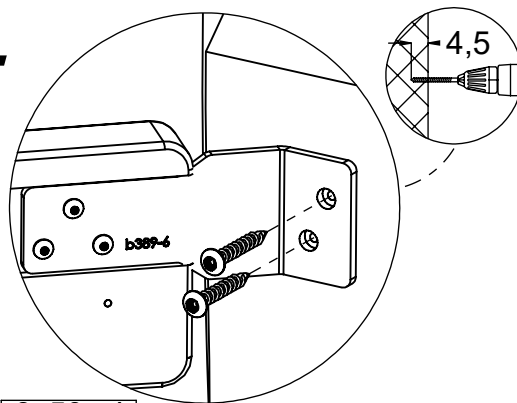
**5.**



**6.**



**7.**

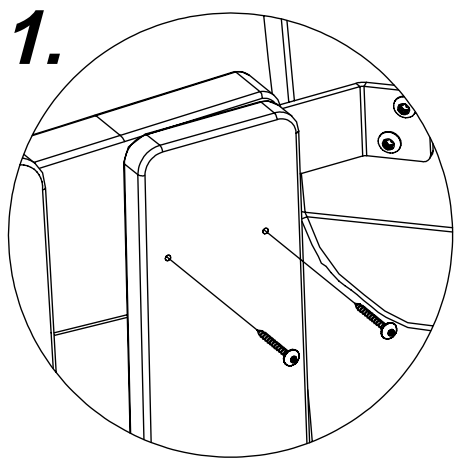
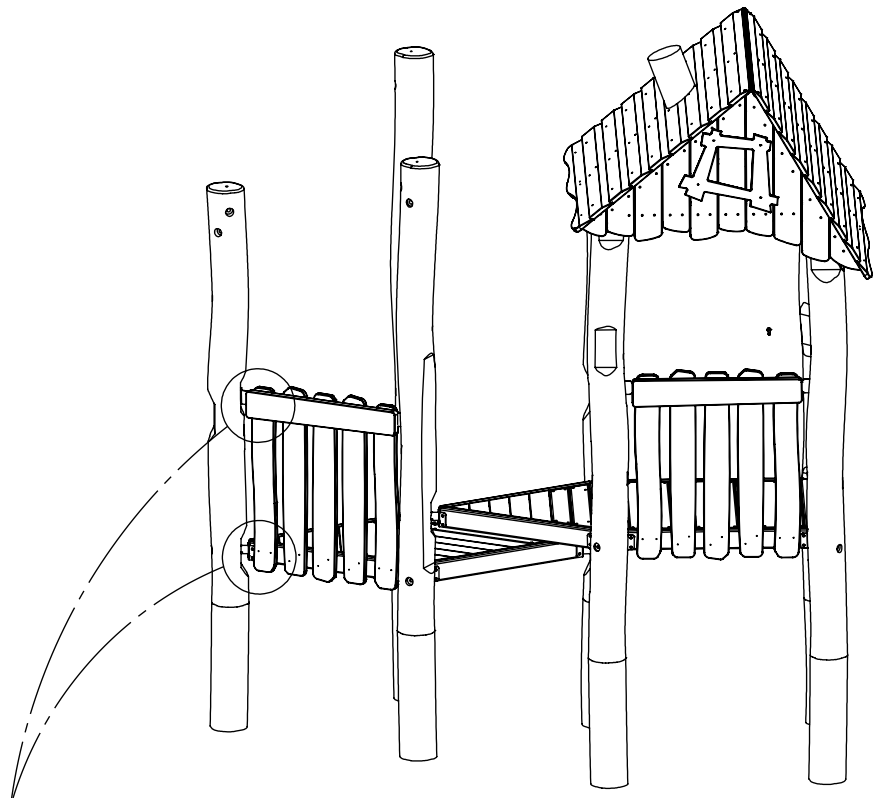


12x 5x30sxs

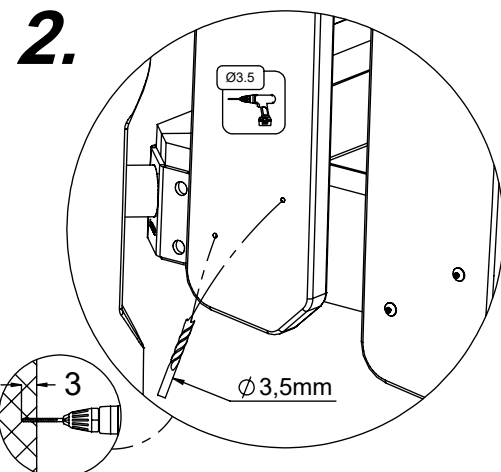
8x 8x50sxi

[cm]

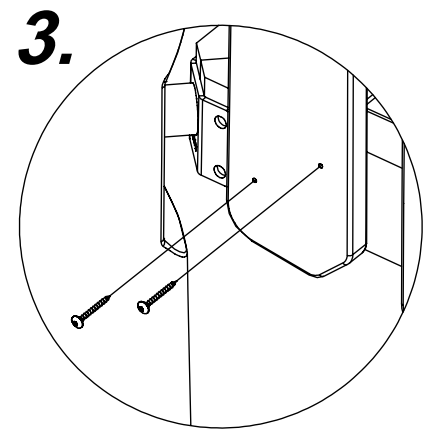
vinci  
play



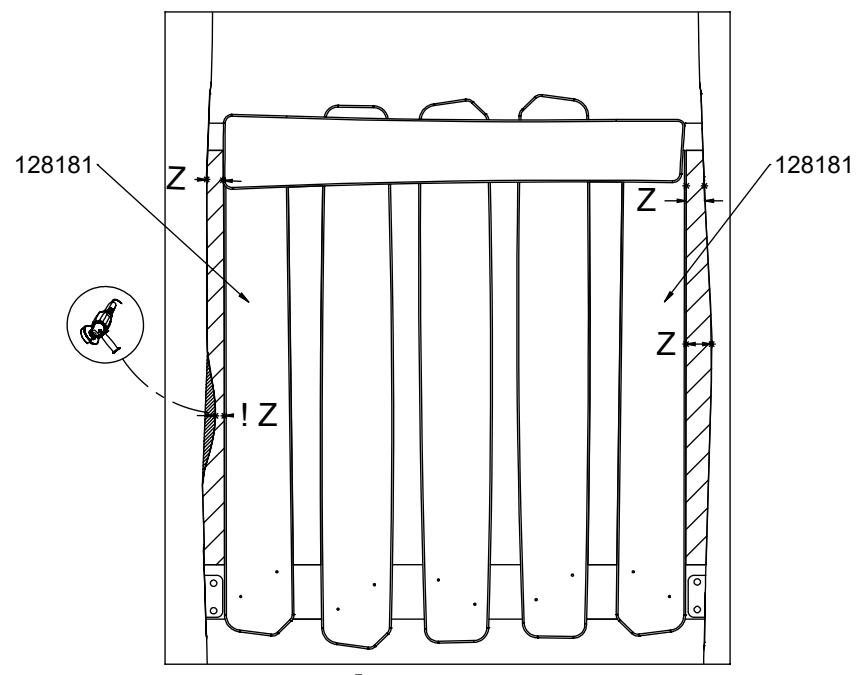
8x **5x50sxs**



3  
Ø3,5mm



8x **5x50sxs**



128181

128181



Z

Z

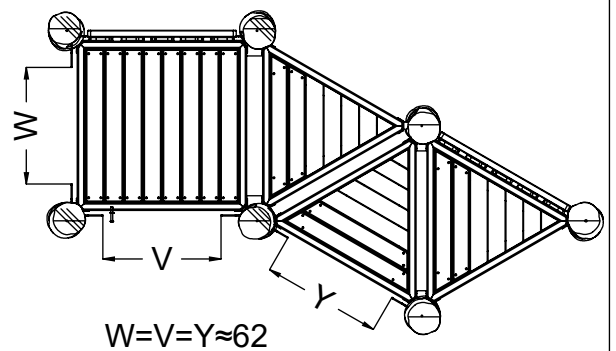
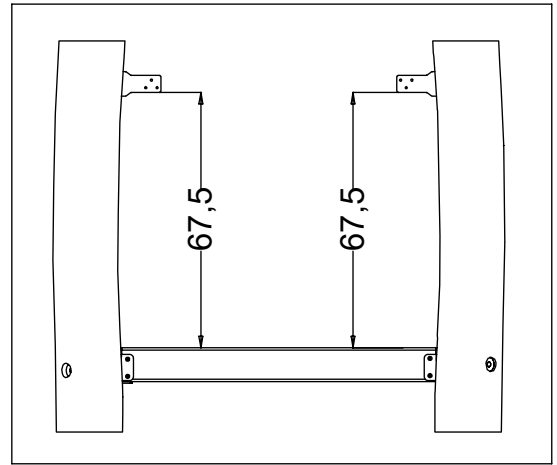
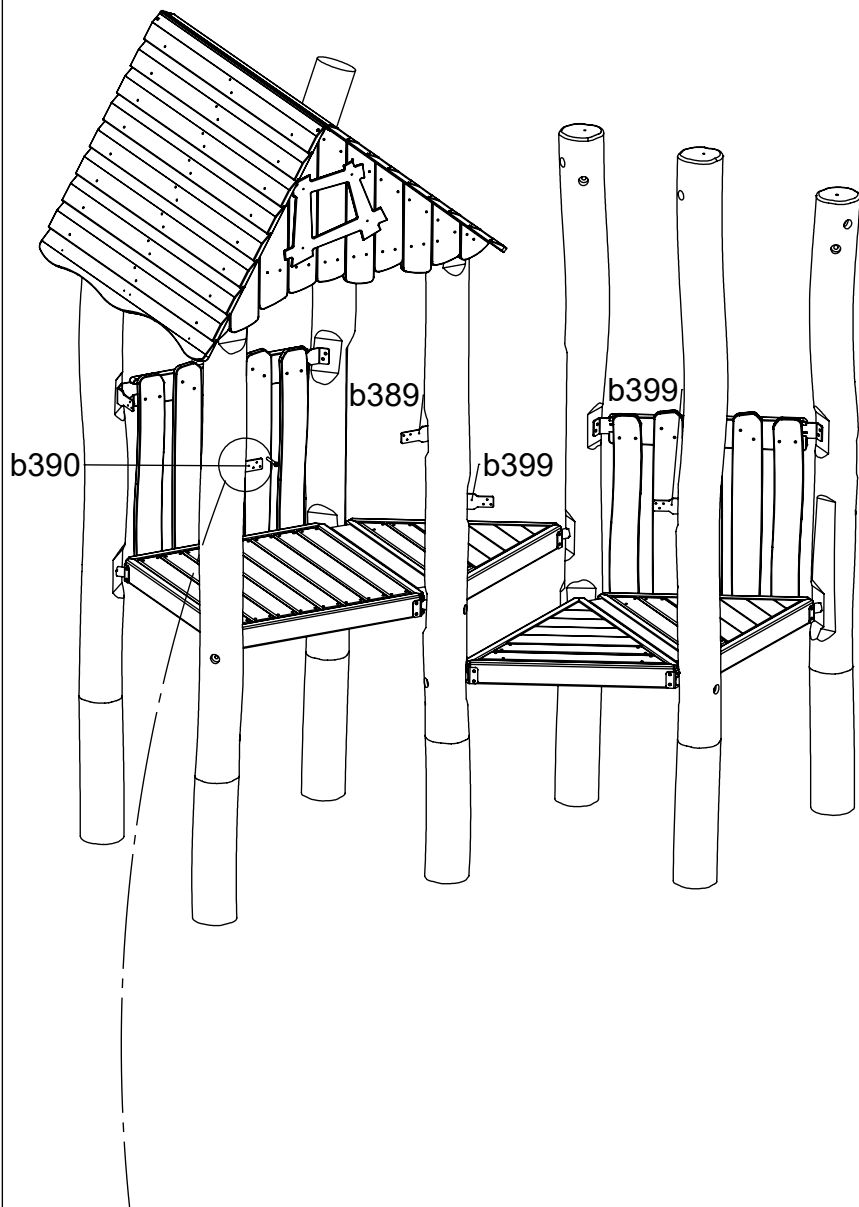
Z

! Z

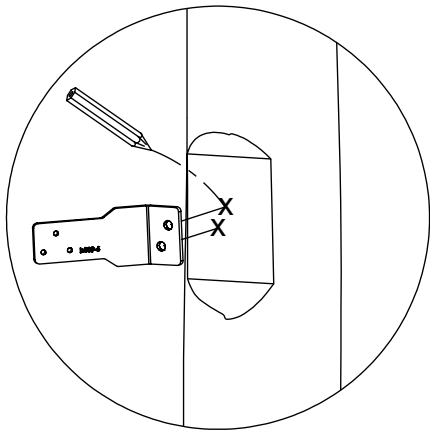
[cm]

! **30mm < Z < 85mm**

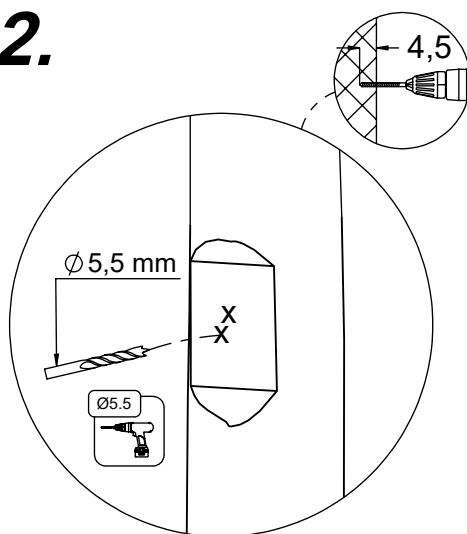
vinci  
play



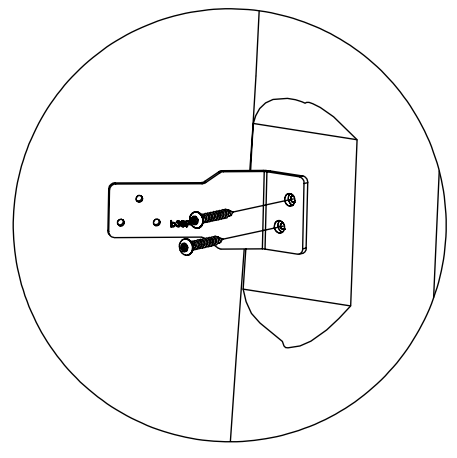
**1.**



**2.**



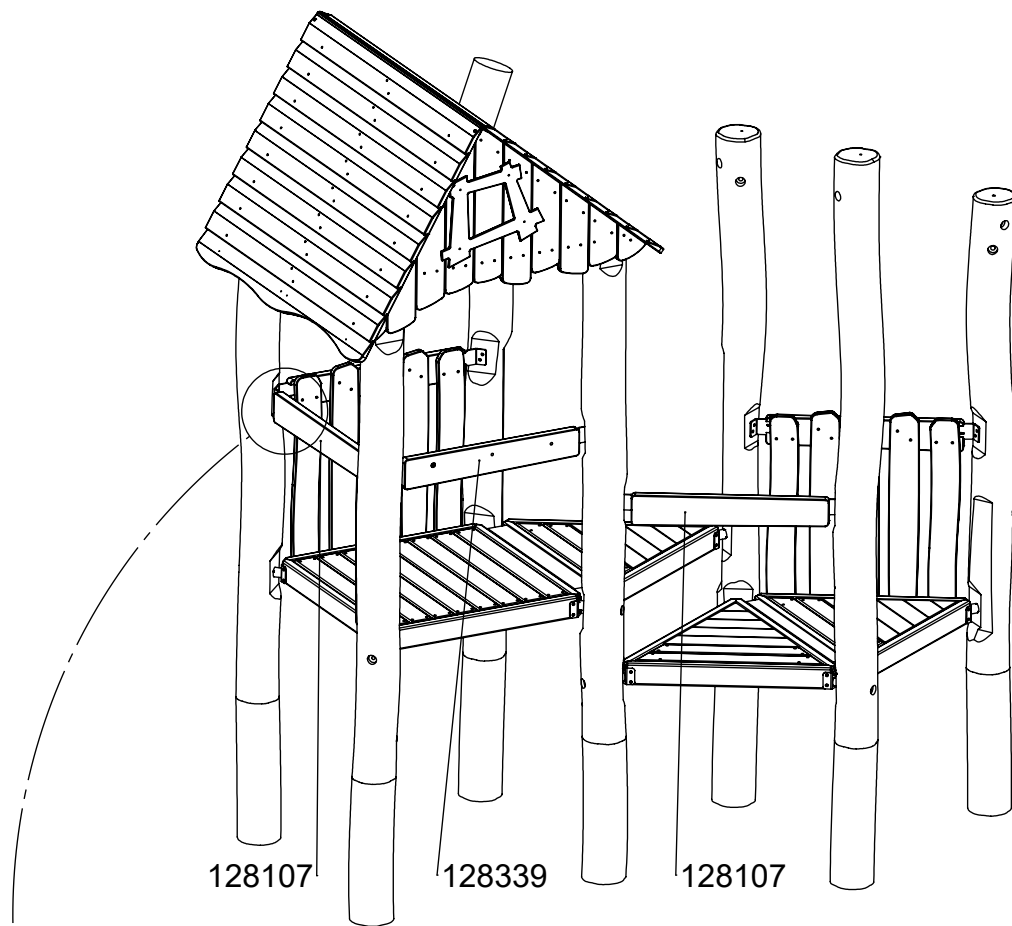
**3.**



14x 8x50sxi

[cm]

vinci  
play

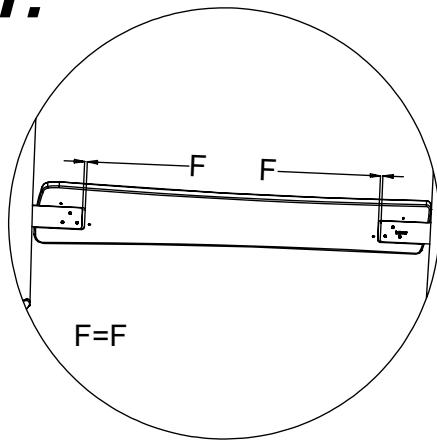


128107

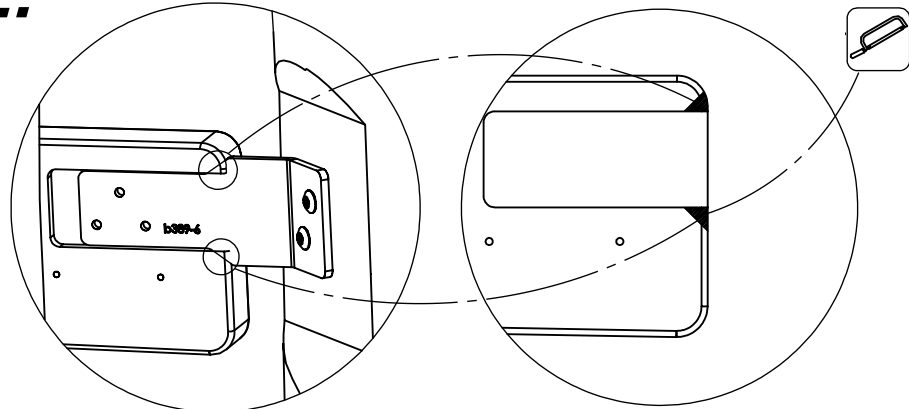
128339

128107

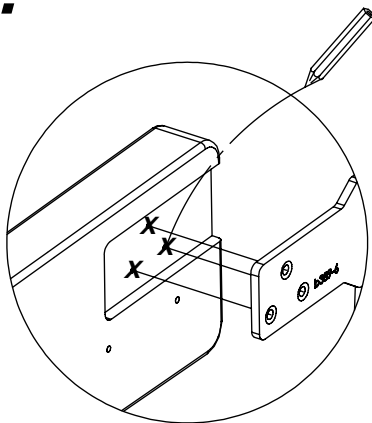
**1.**



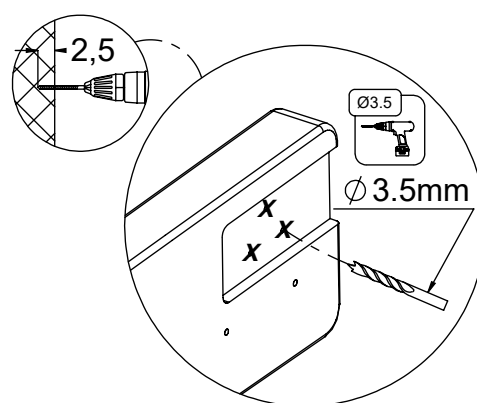
**2.**



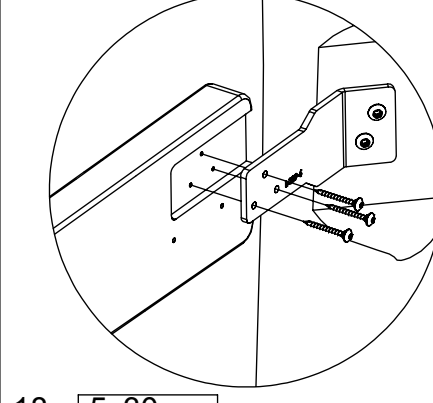
**3.**



**4.**



**5.**

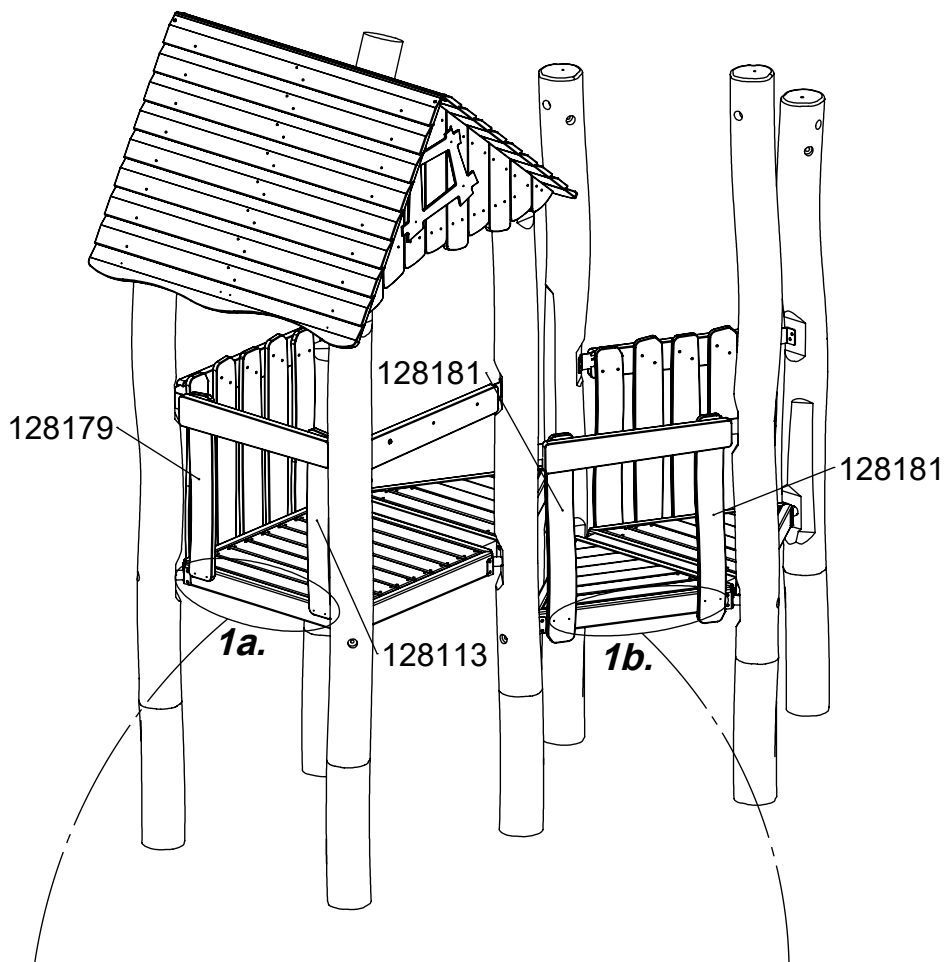


18x 5x30sxs

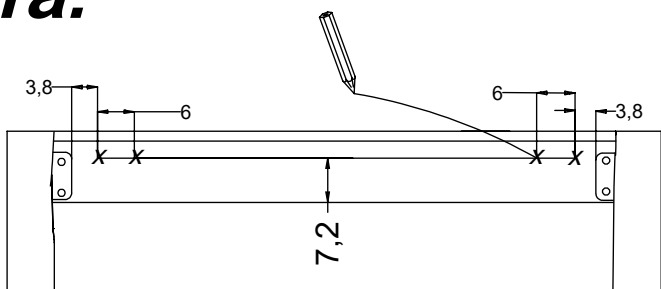
[cm]

vinci  
play

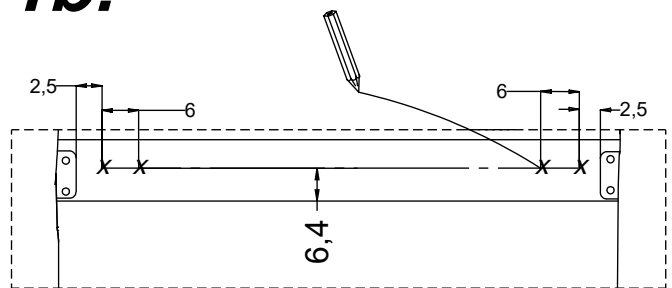




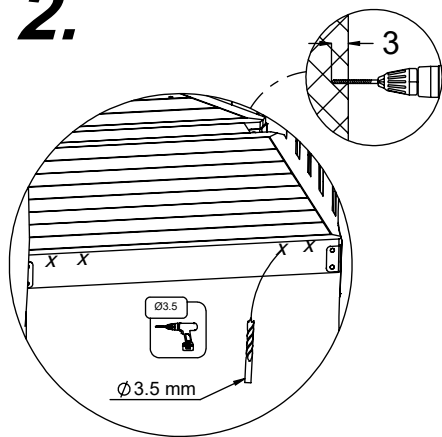
**1a.**



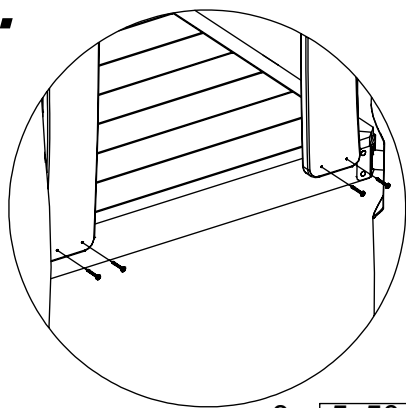
**1b.**



**2.**

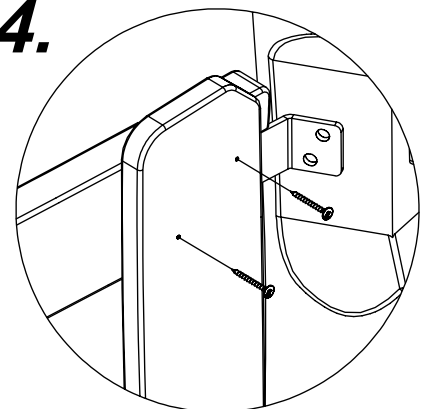


**3.**



8x 5x50sxs

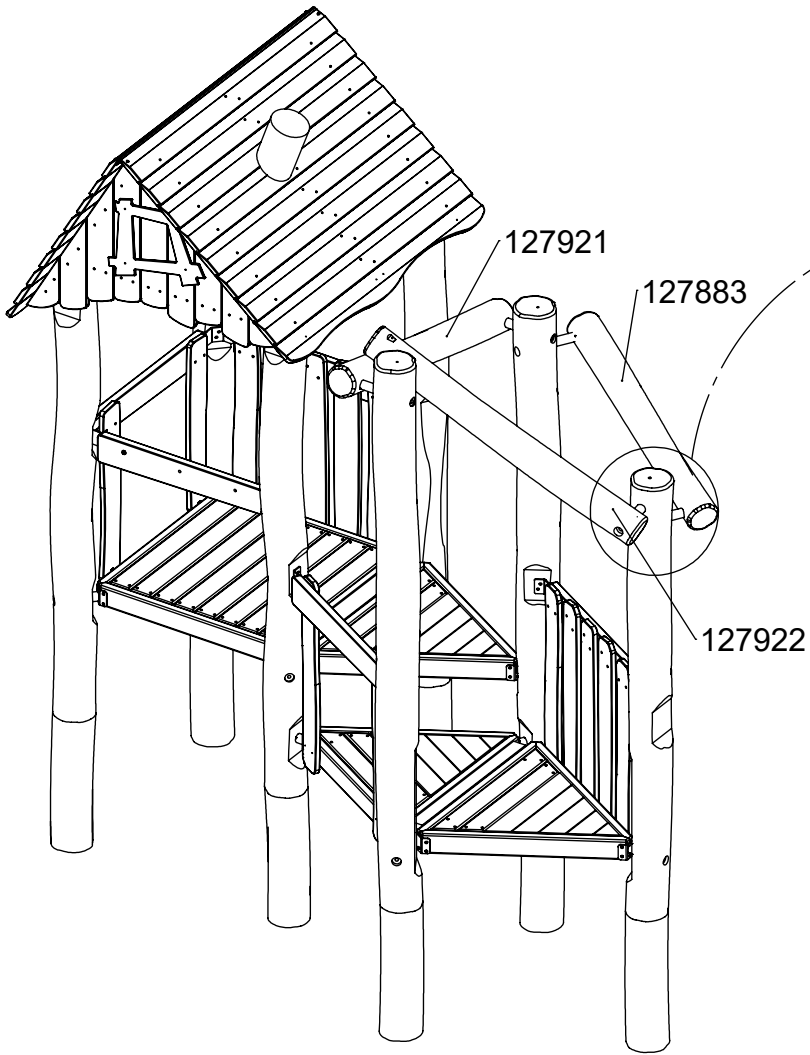
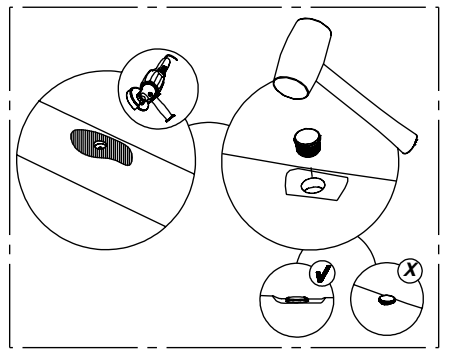
**4.**



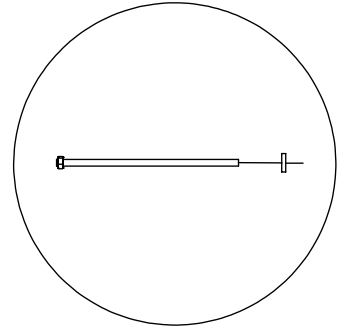
8x 5x50sxs

[cm]

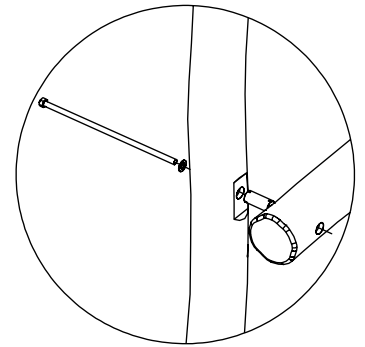
vinci  
play



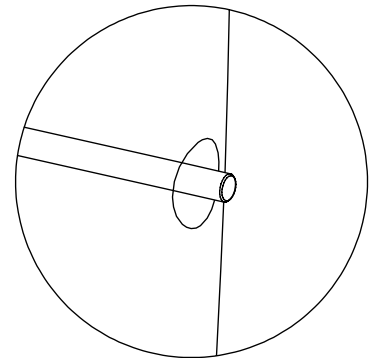
**1.**



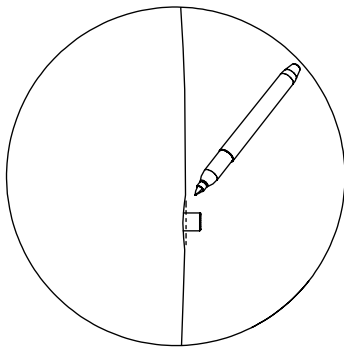
**2.**



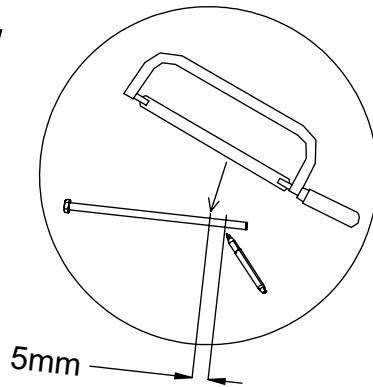
**3.**



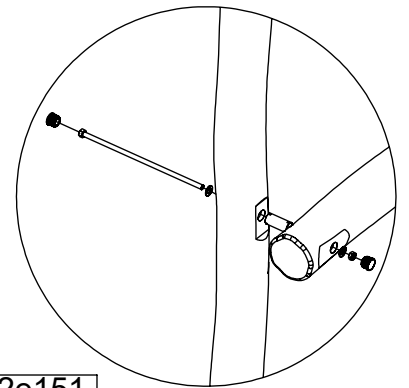
**4.**



**5.**

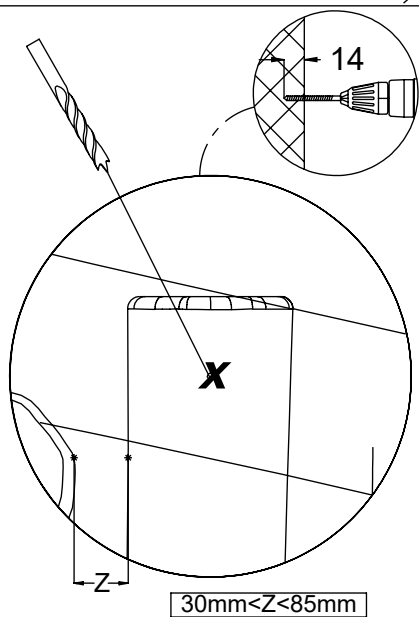


**6.**

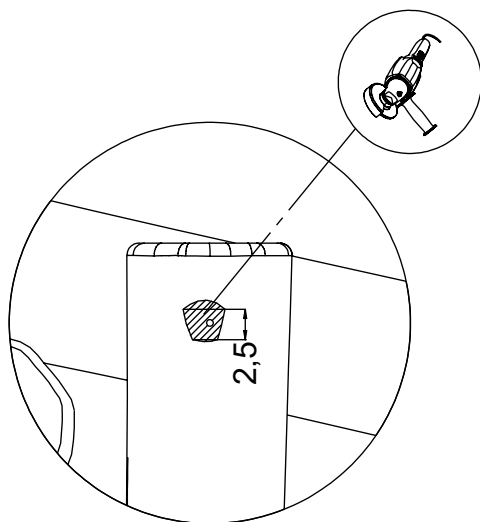


5x **12e151**

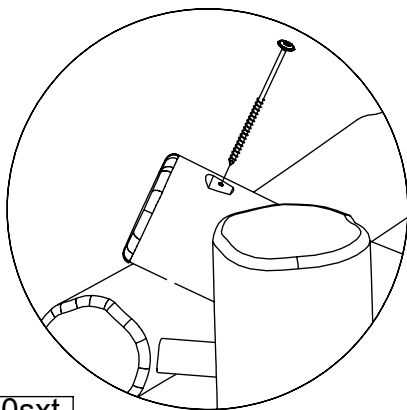
1.



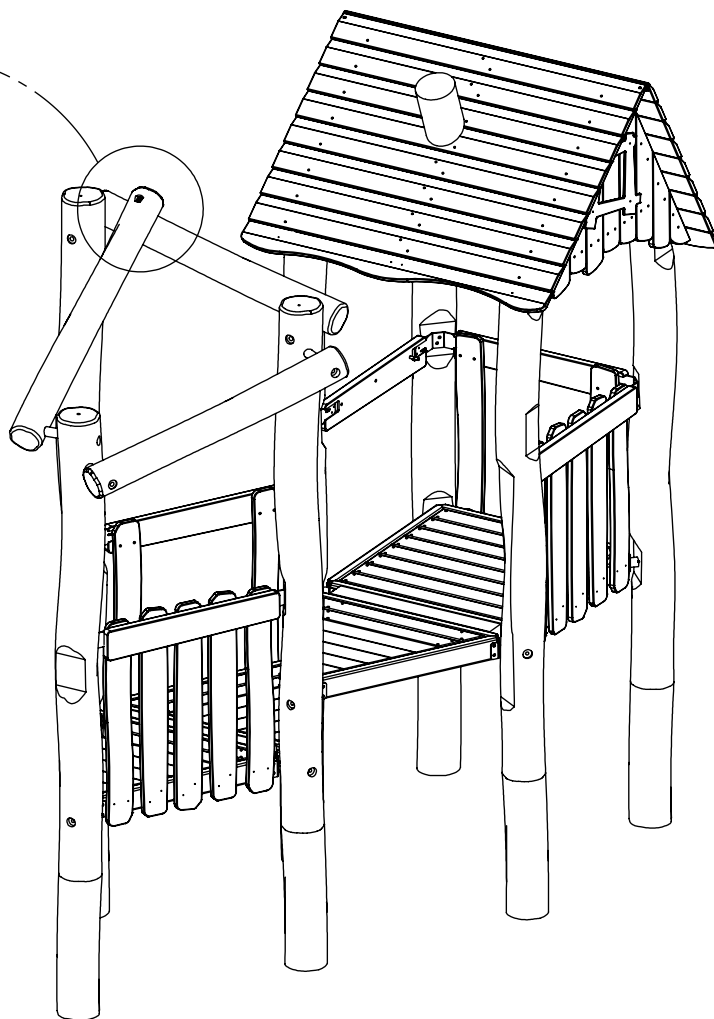
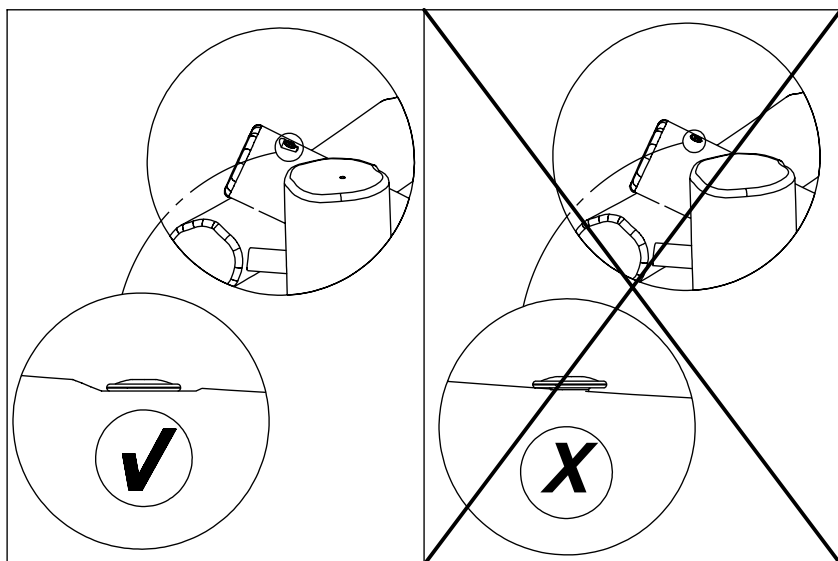
2.

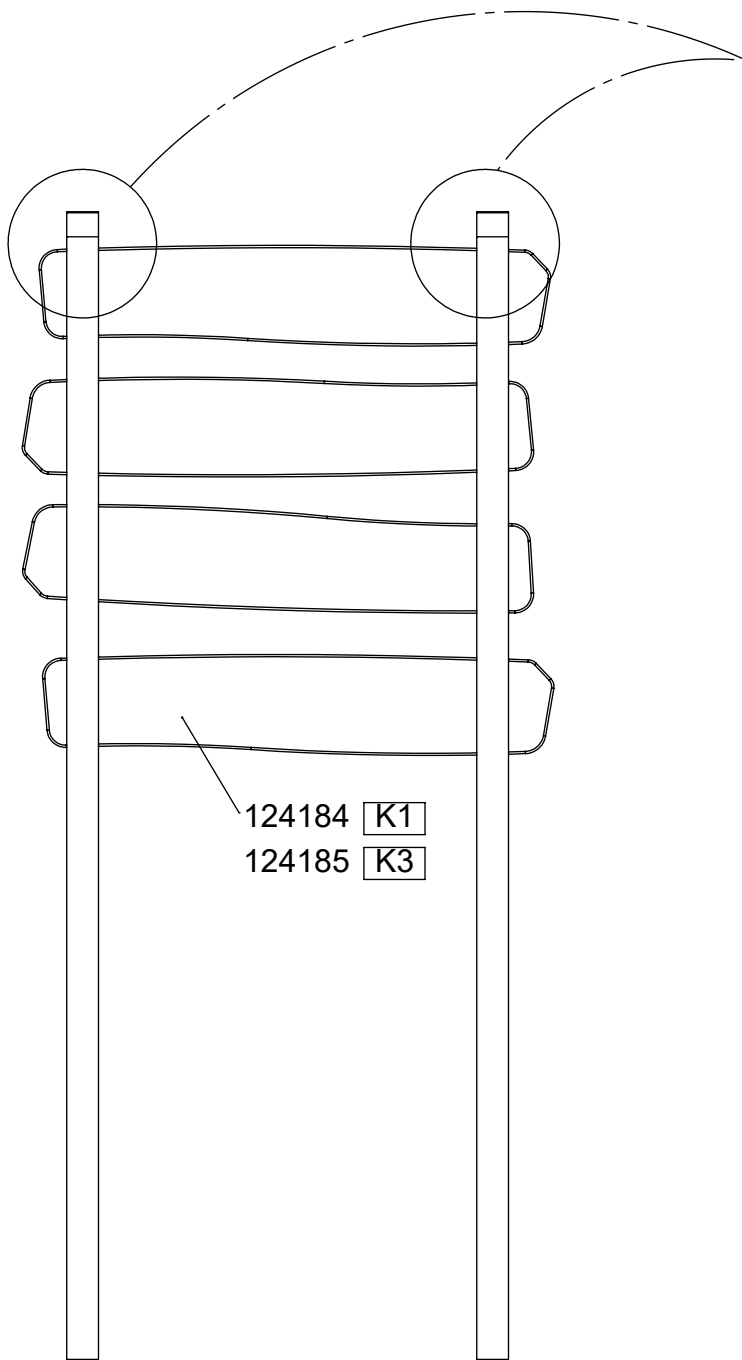


3.

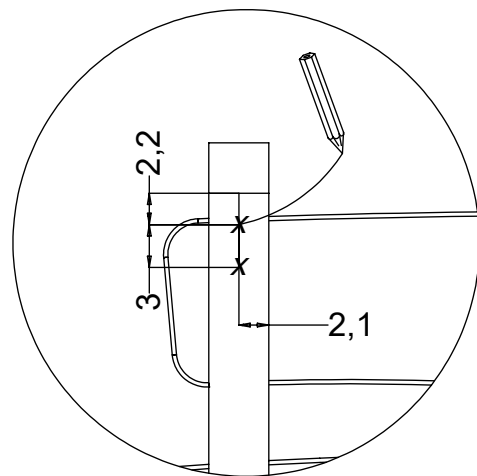


1x 8x160sxt

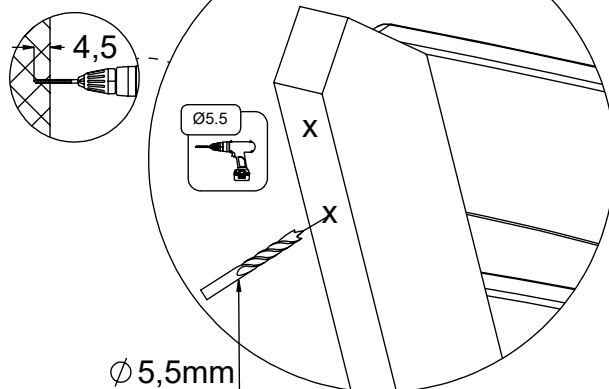




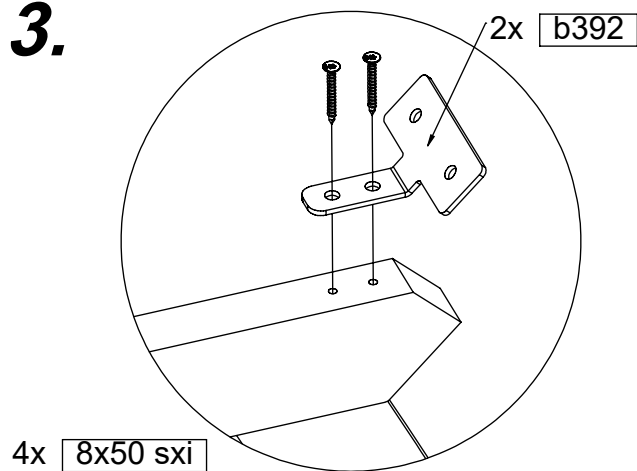
**1.**

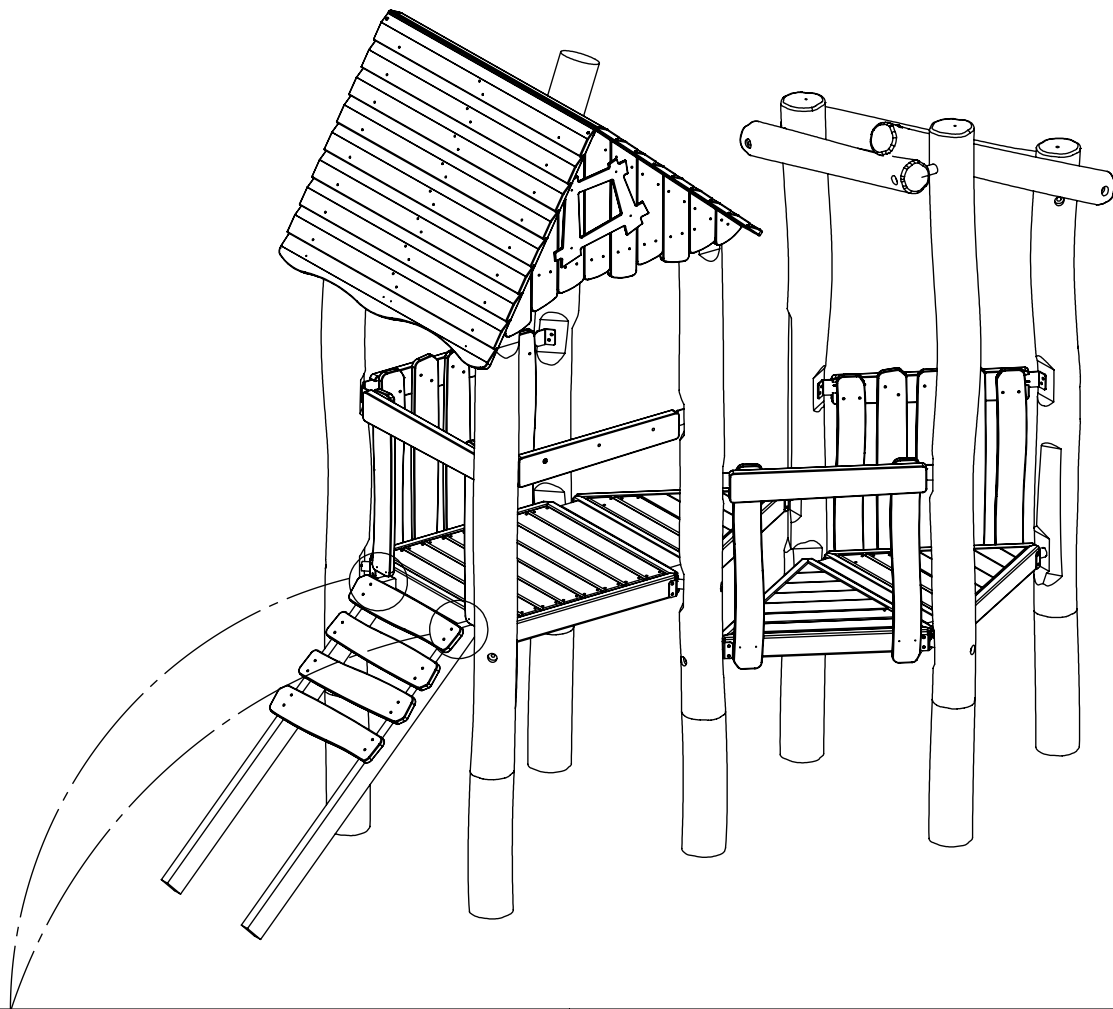


**2.**

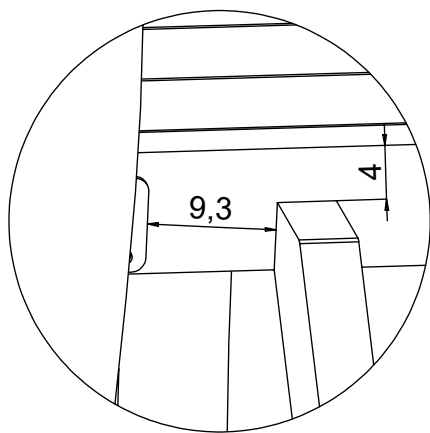


**3.**

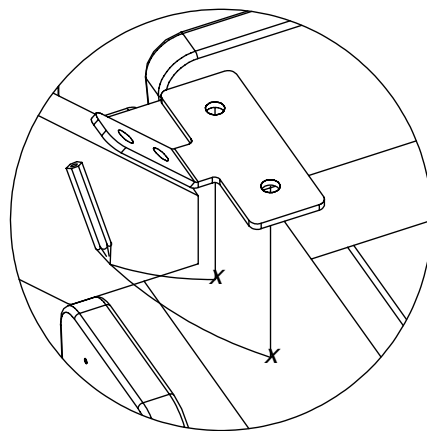




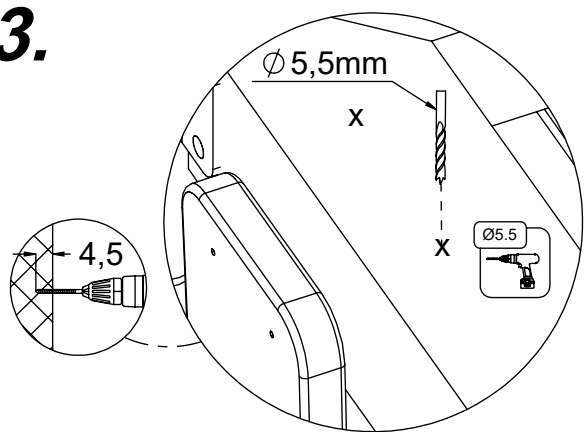
**1.**



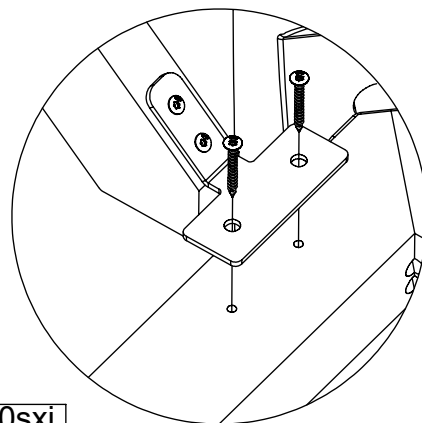
**2.**



**3.**



**4.**

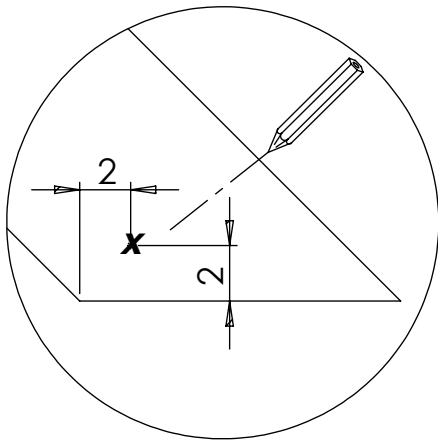


4x 8x50sxi

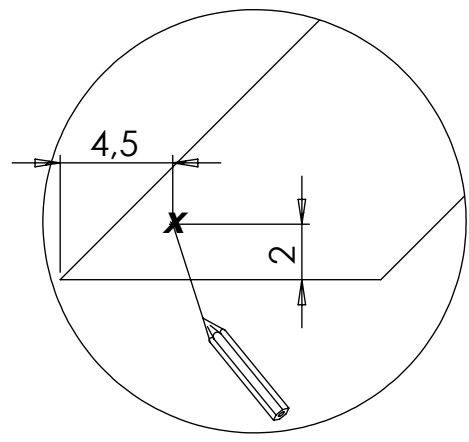
# K3



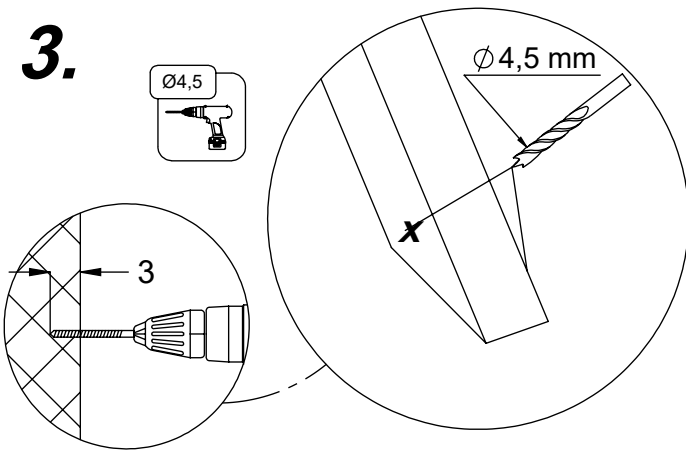
1.



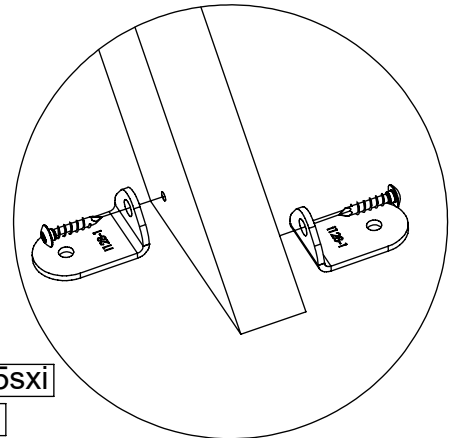
2.



3.

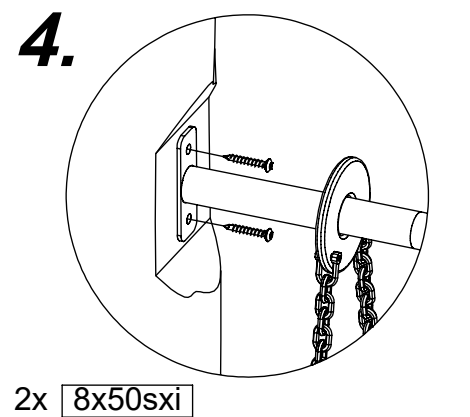
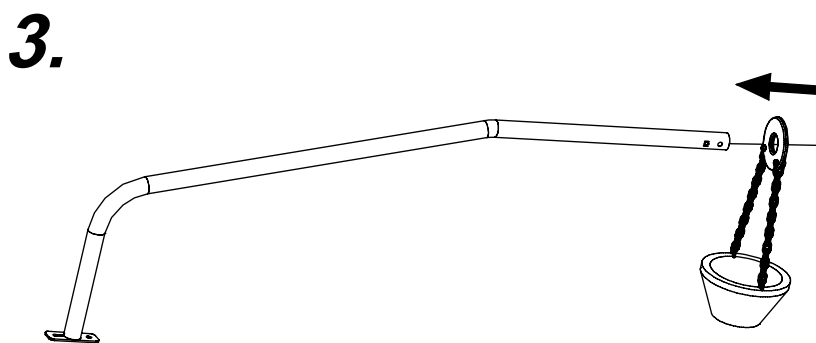
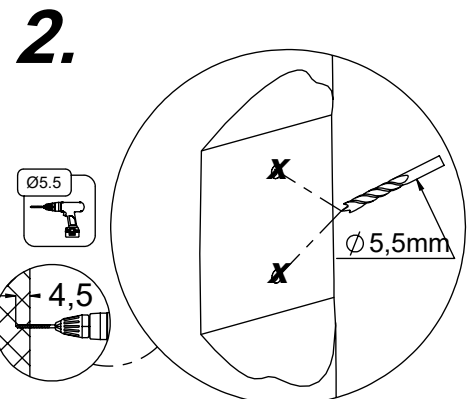
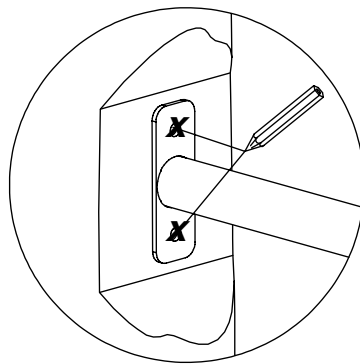
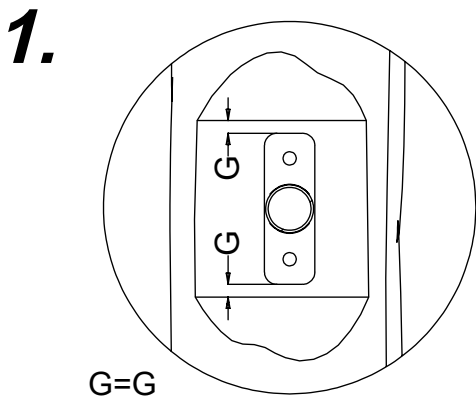
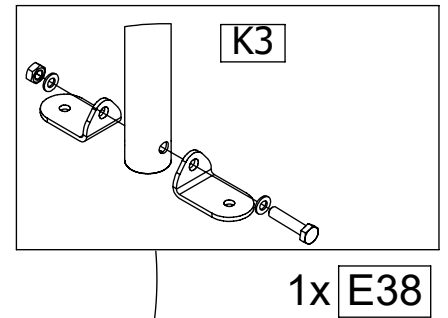
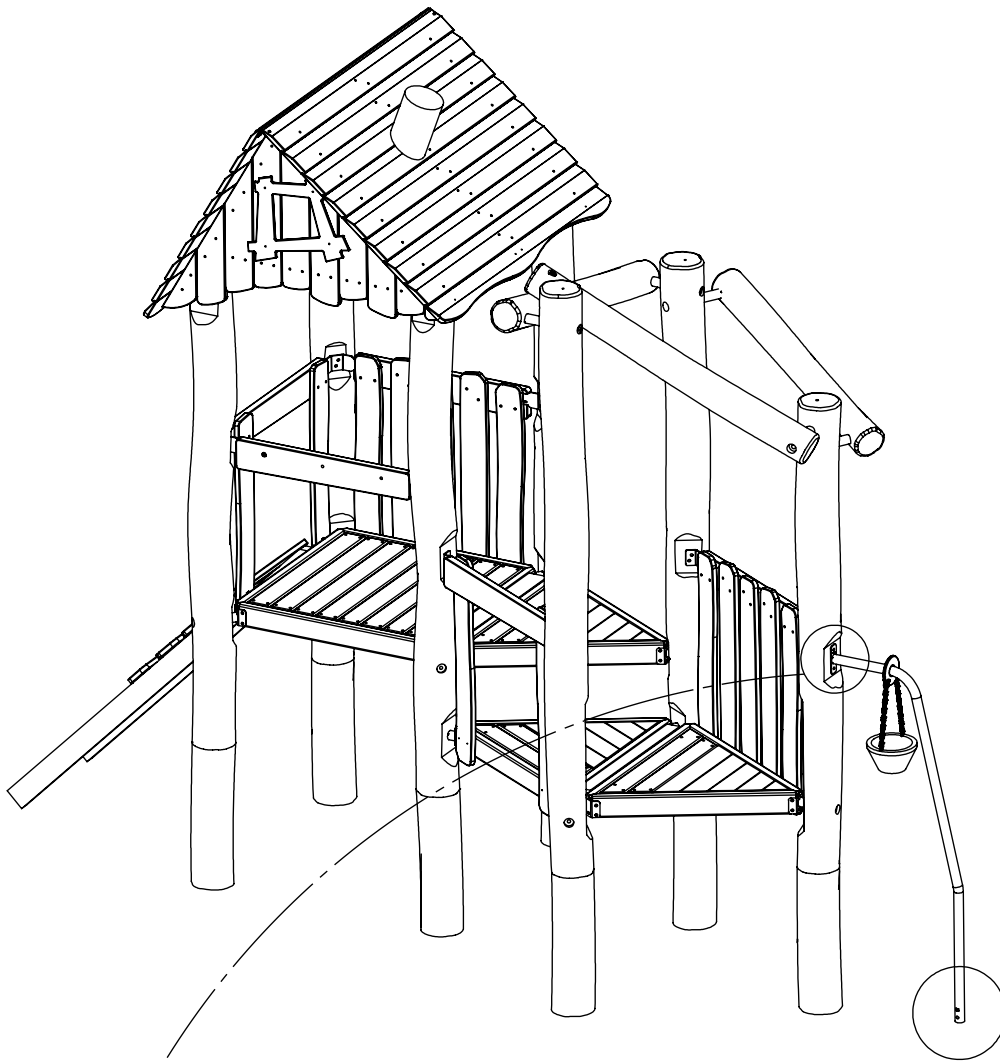


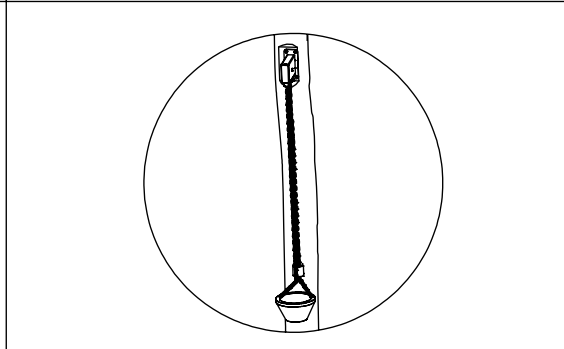
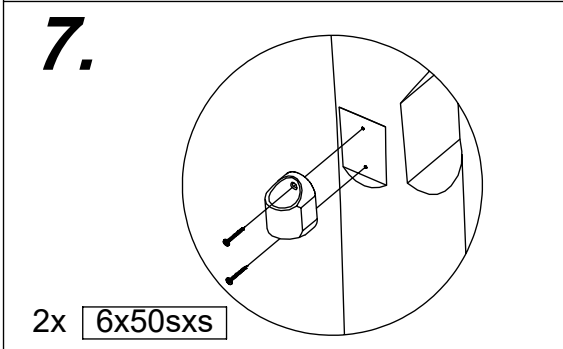
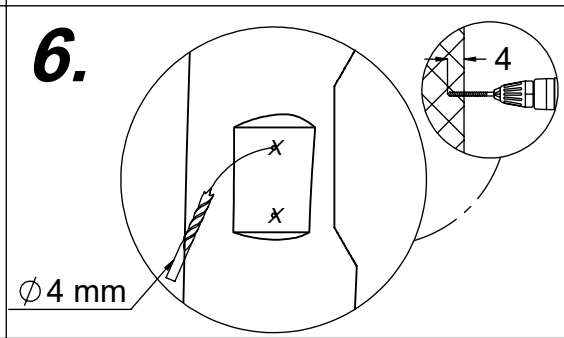
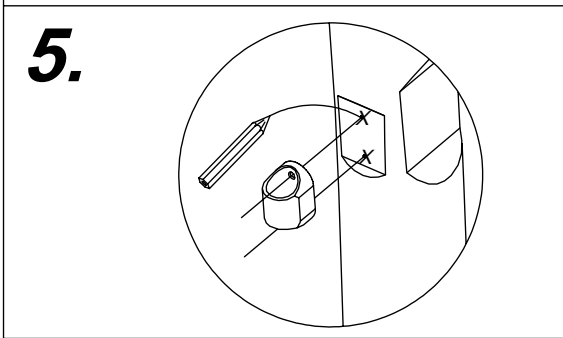
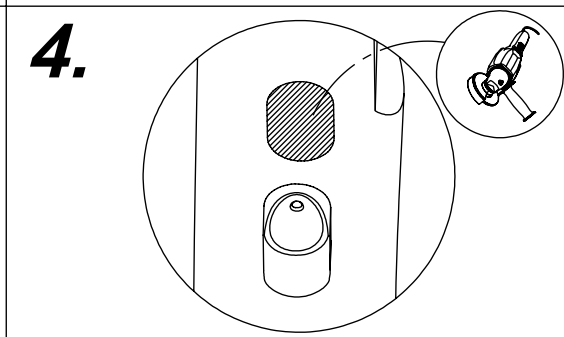
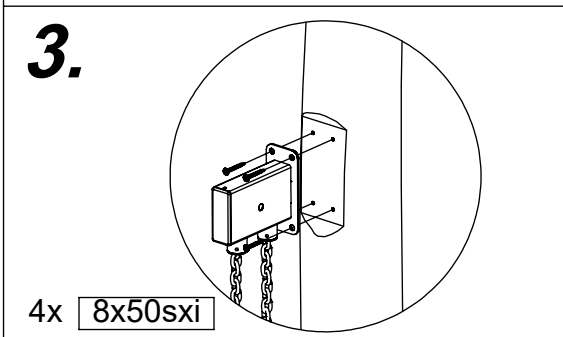
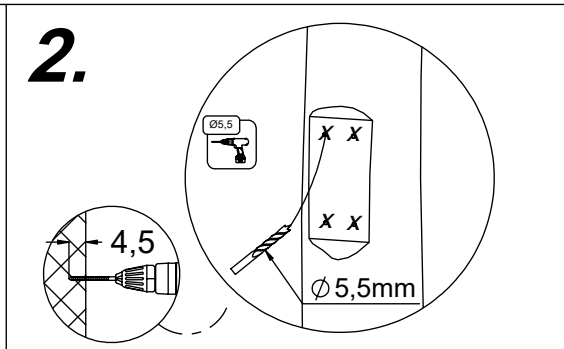
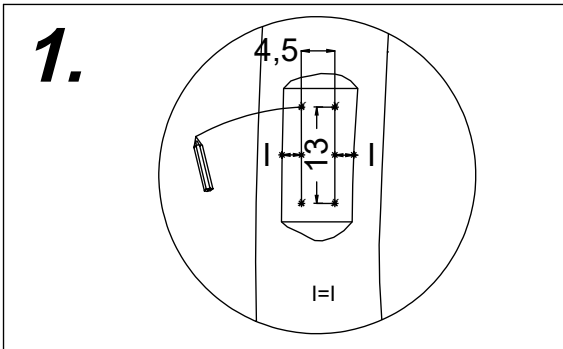
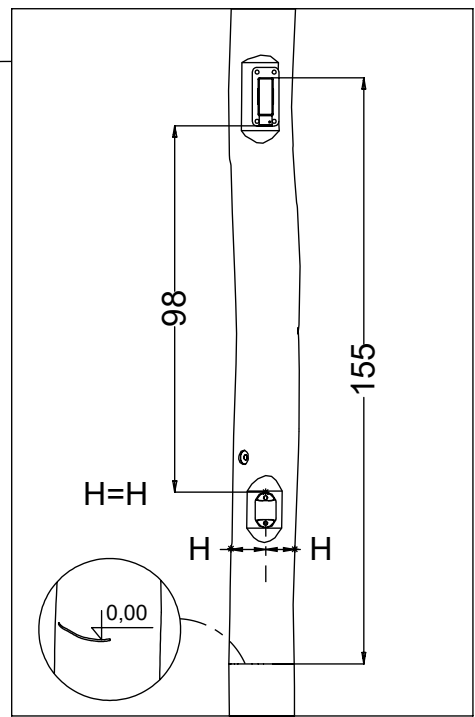
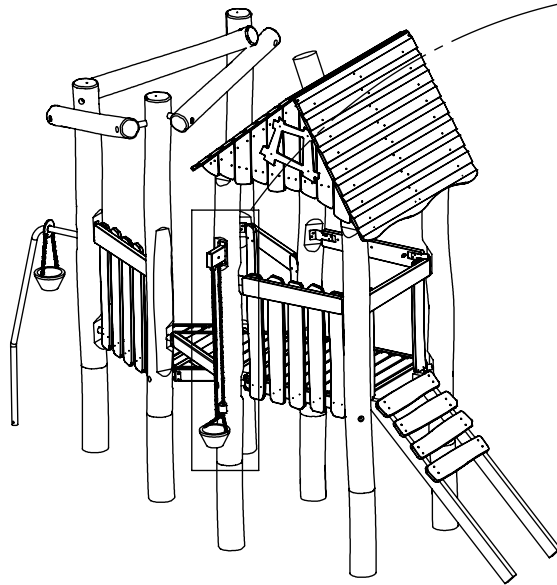
4.



4x 7x35sxi

4x i128

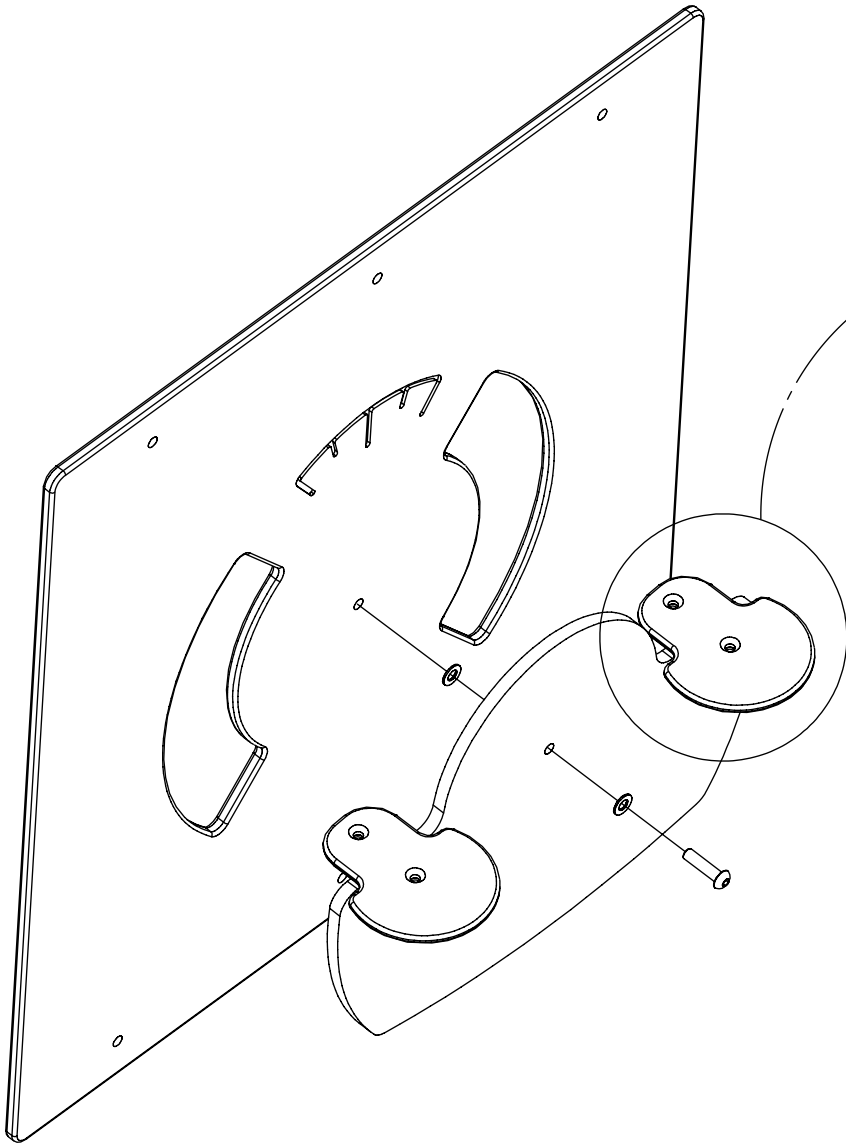




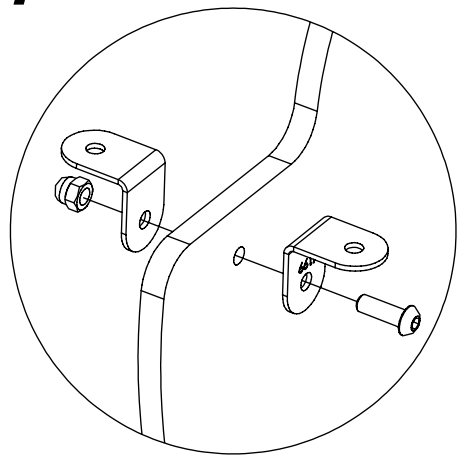
[cm]

vinci  
play

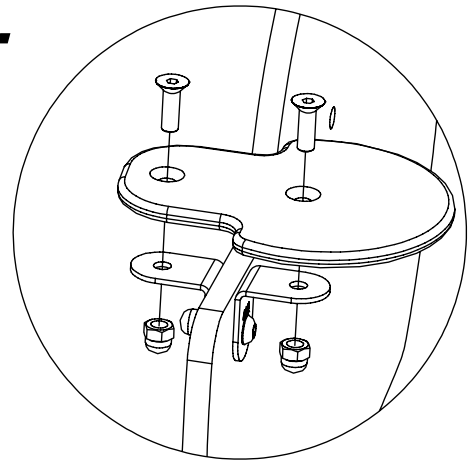




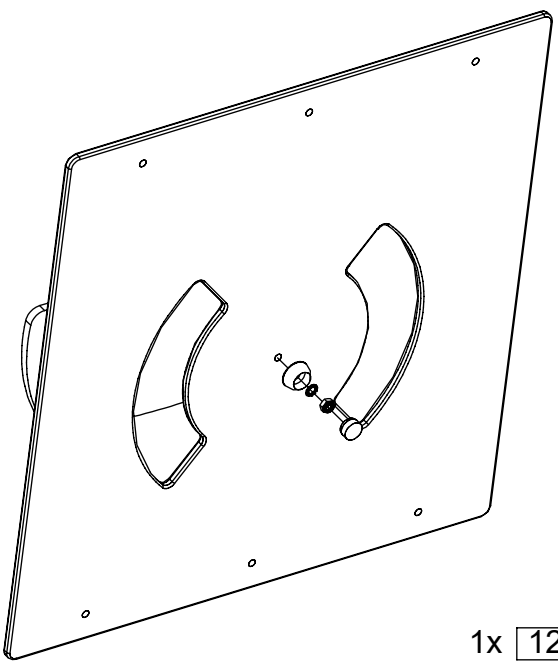
**1.**



**2.**



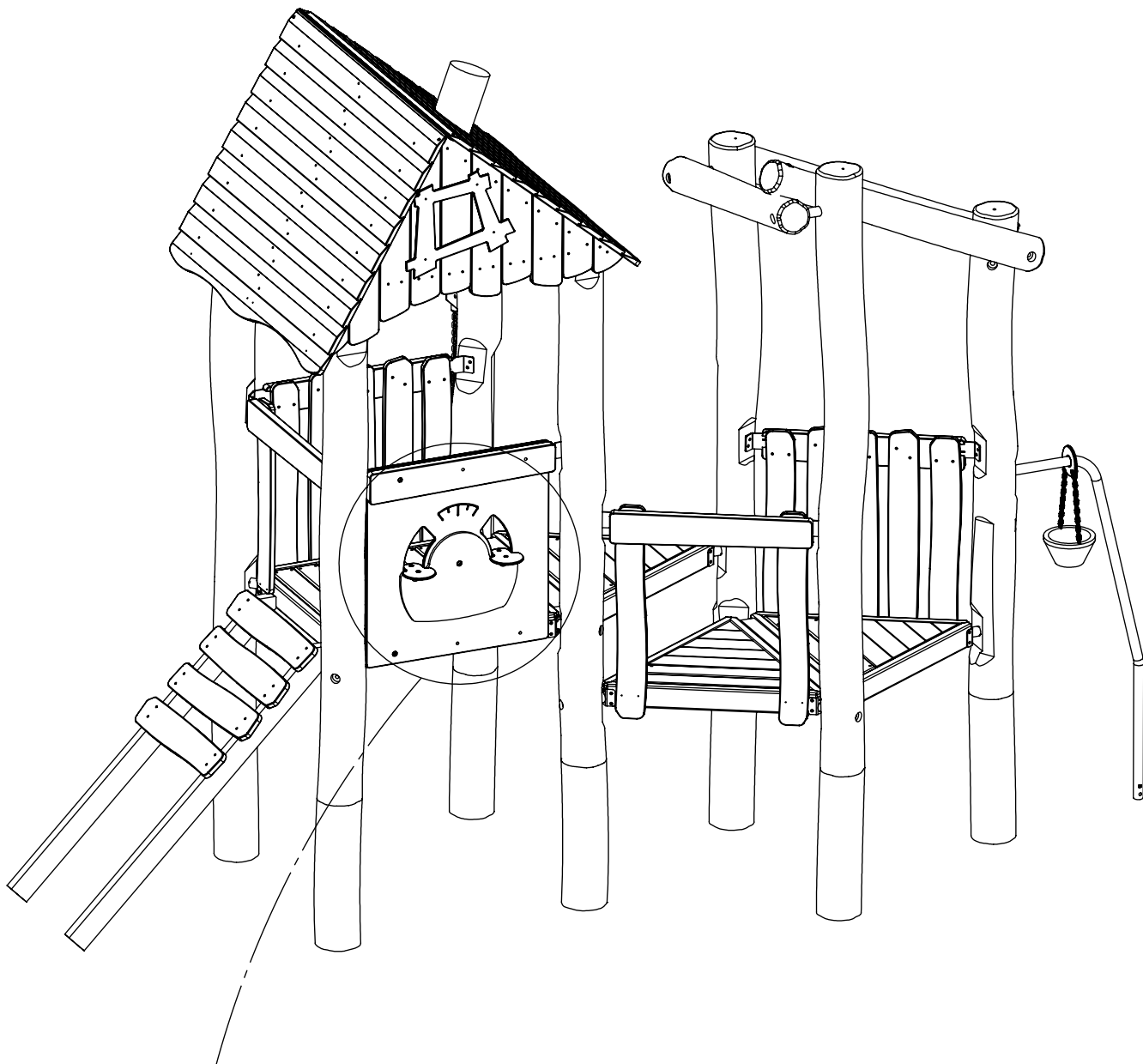
1x 12e149



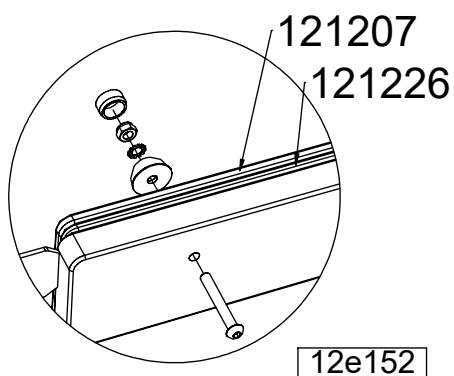
1x 12e152

[cm]

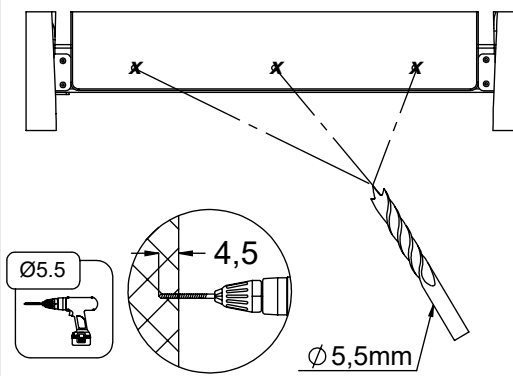
vinci  
play



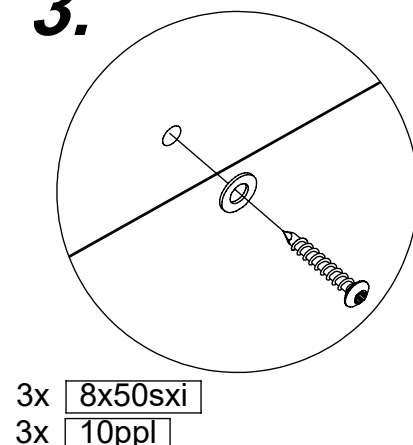
**1.**

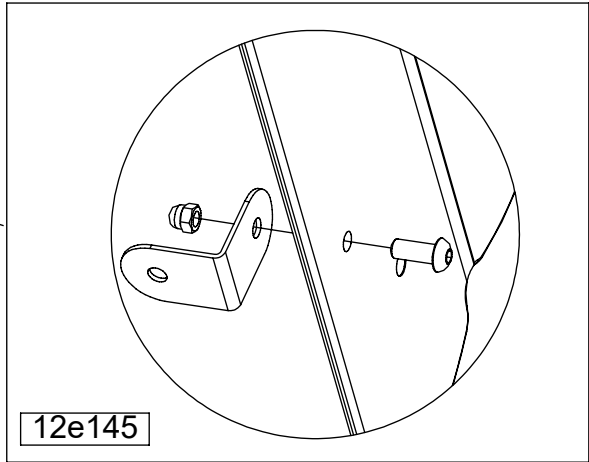
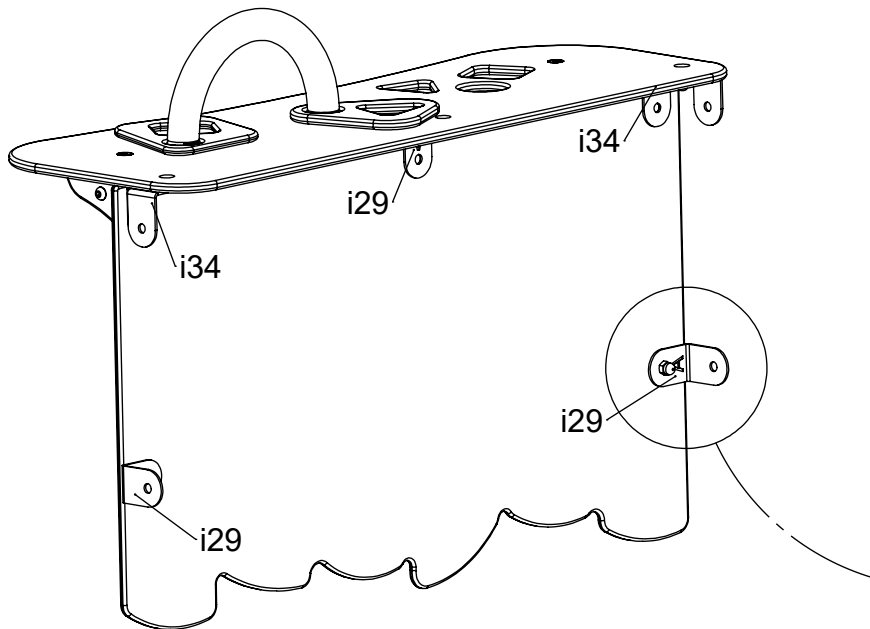
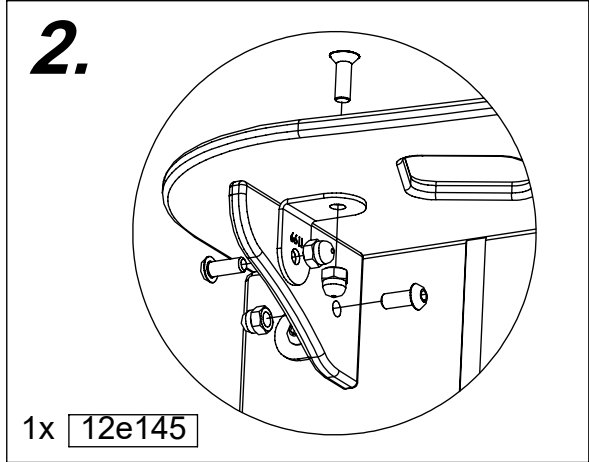
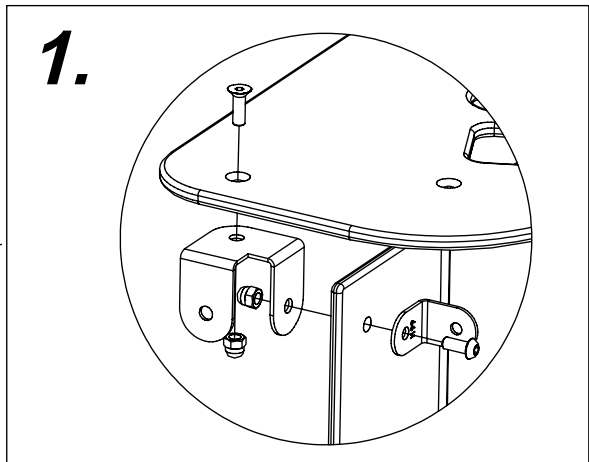
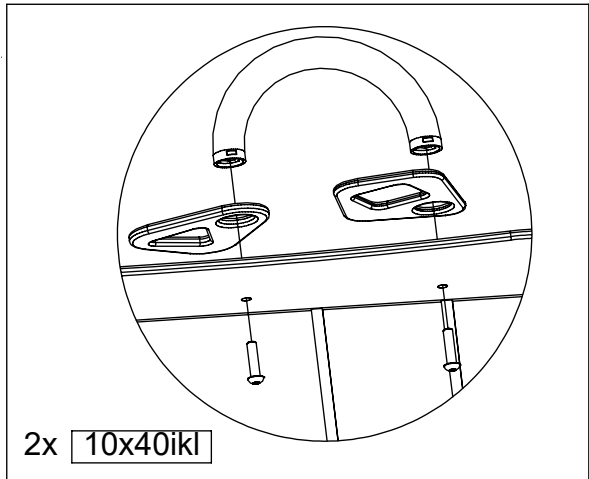
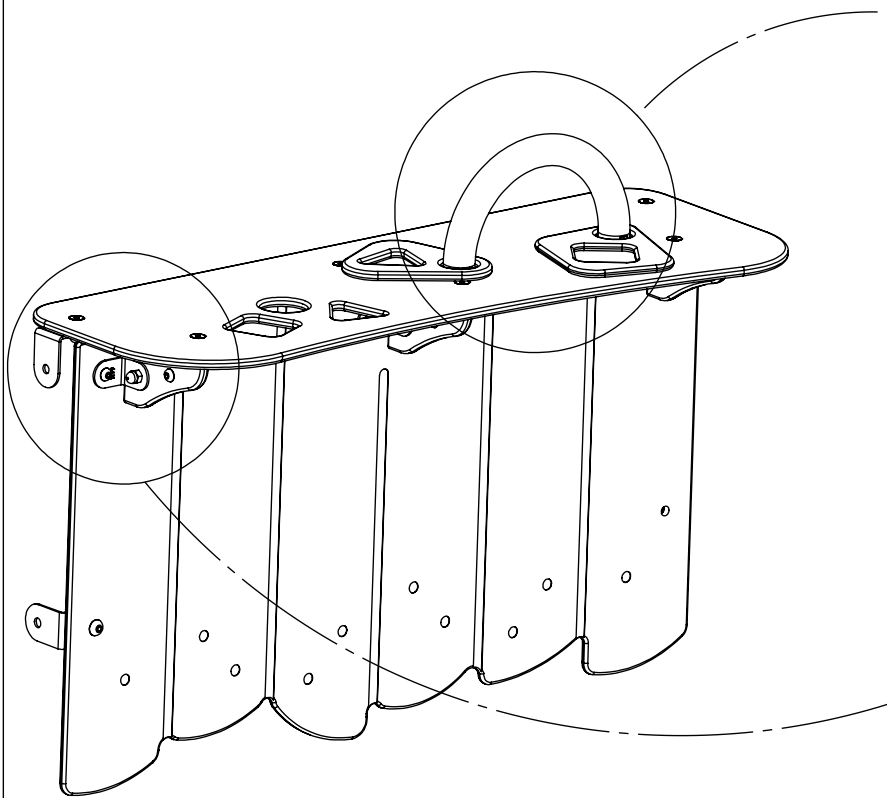


**2.**



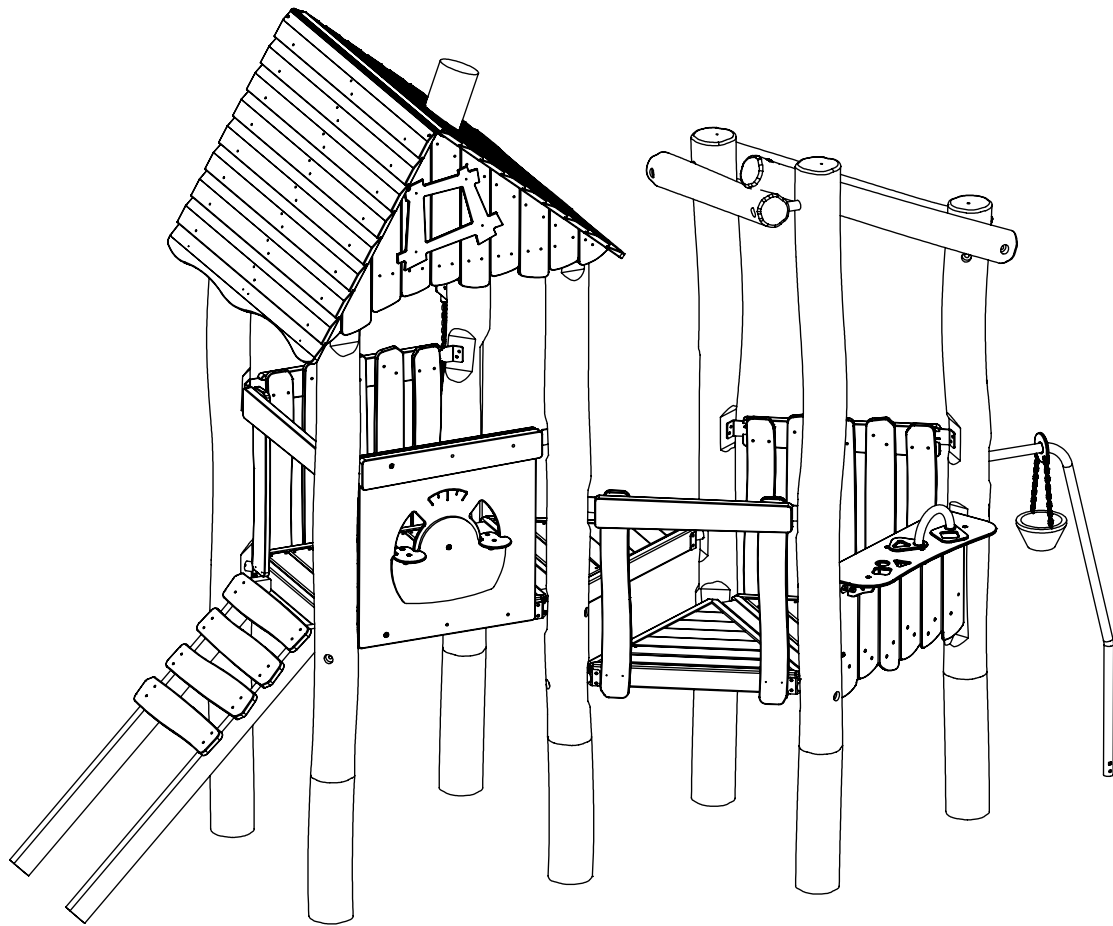
**3.**



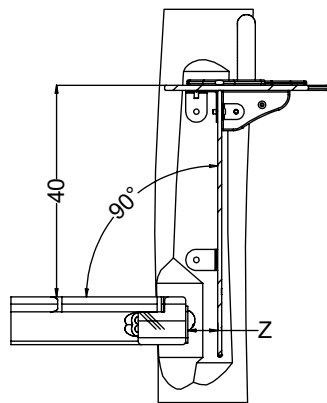


[cm]

vinci  
play

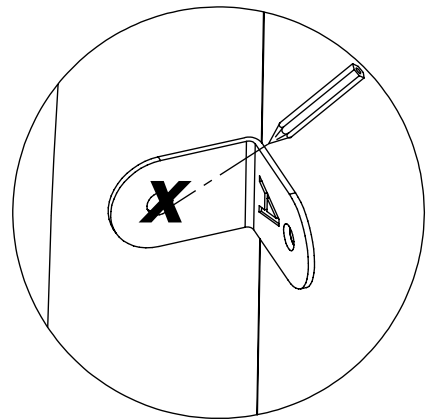


**1.**

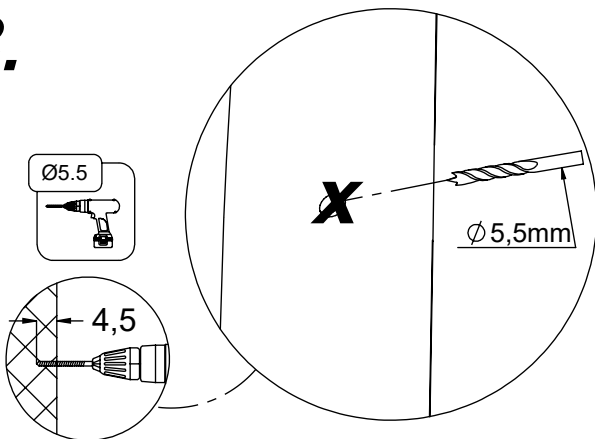


!  $30\text{mm} < Z < 85\text{mm}$

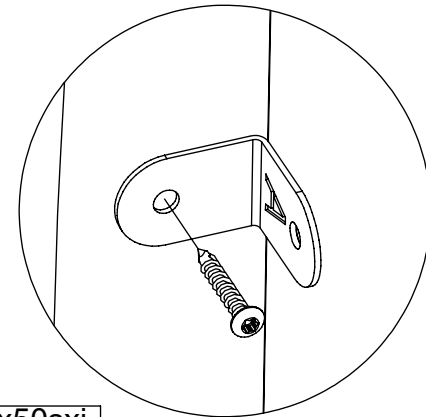
**2.**



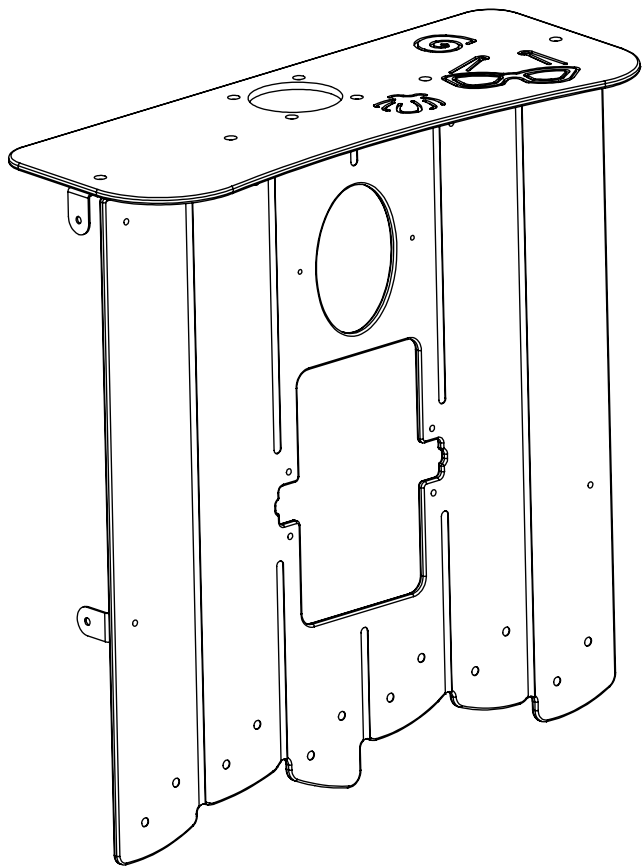
**3.**



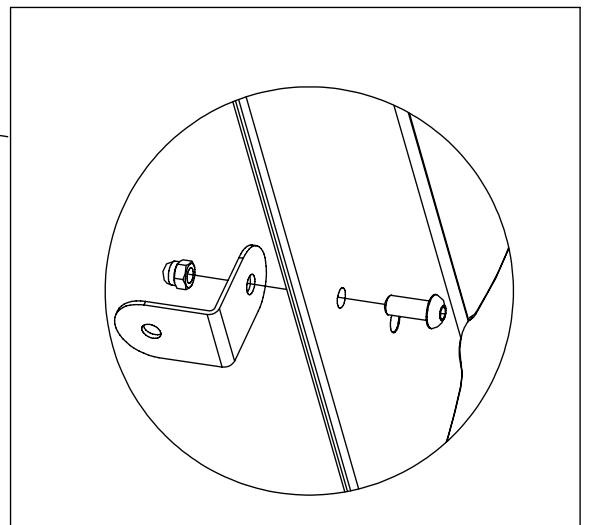
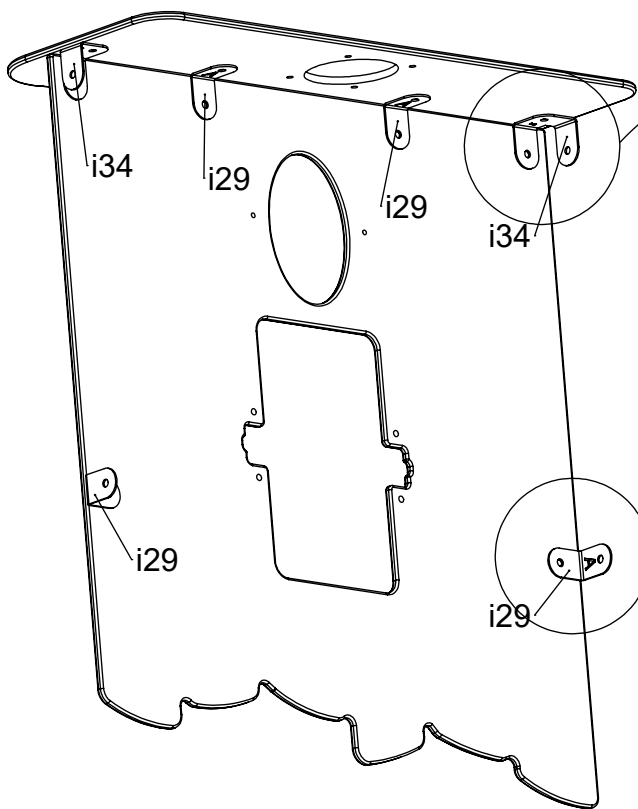
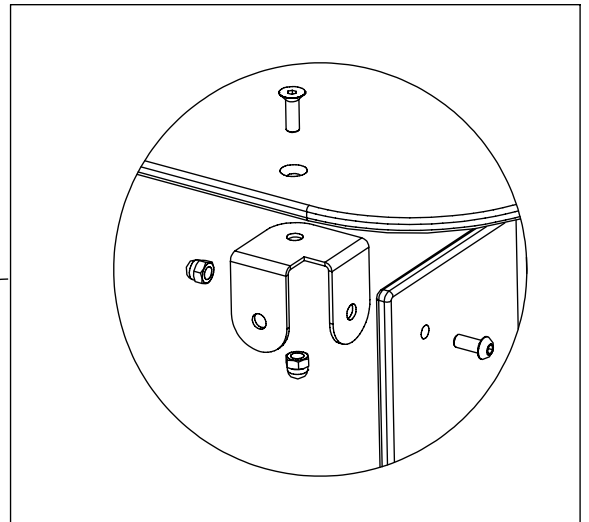
**4.**



4x  $8 \times 50\text{sxi}$

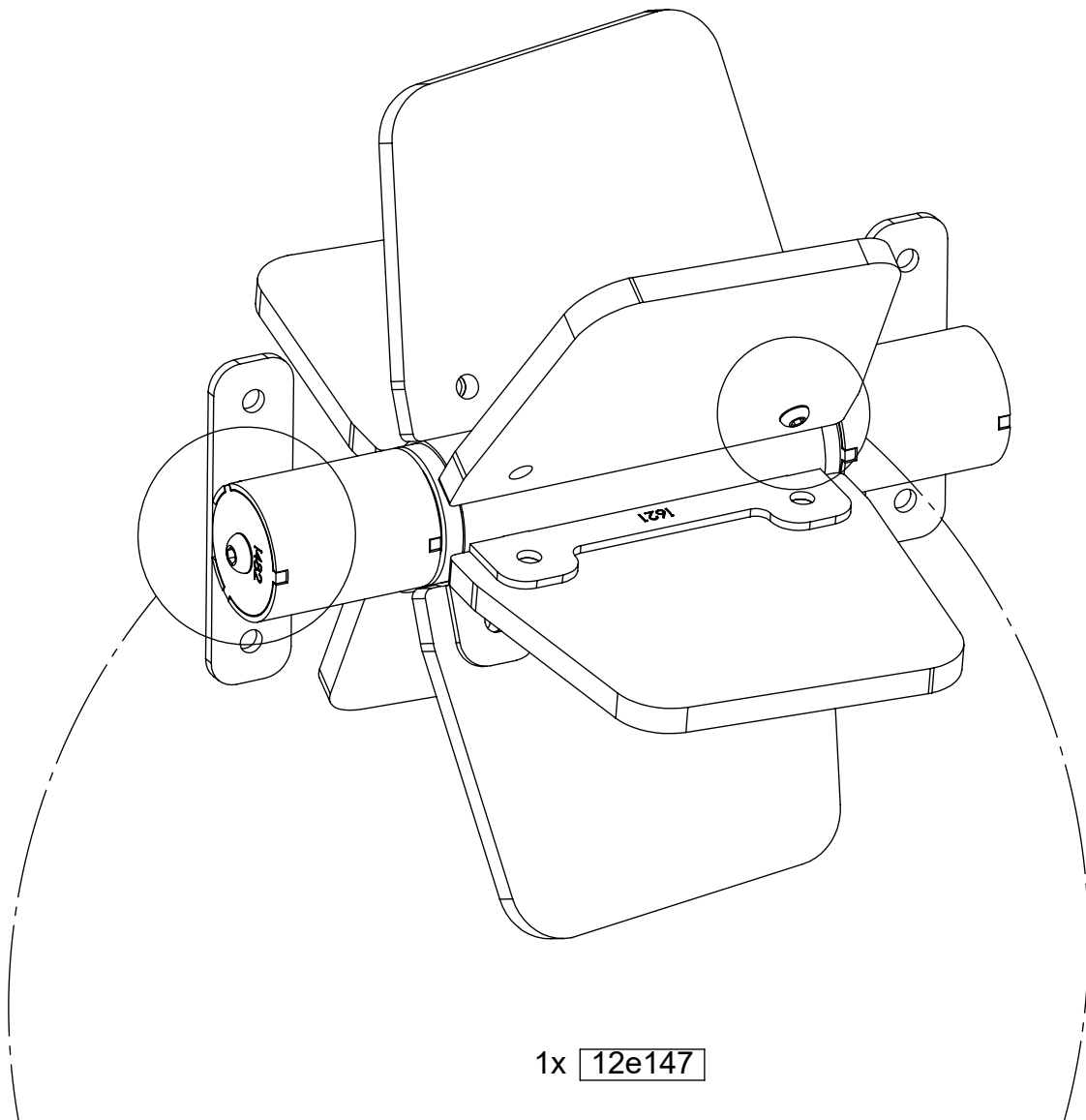


1x 12e146

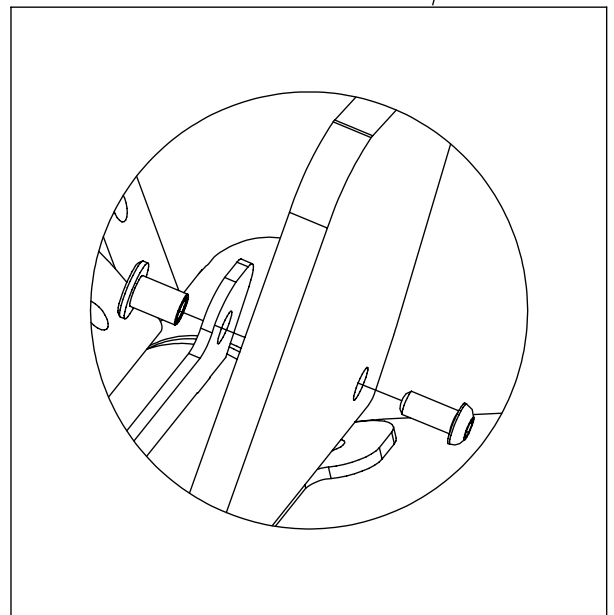
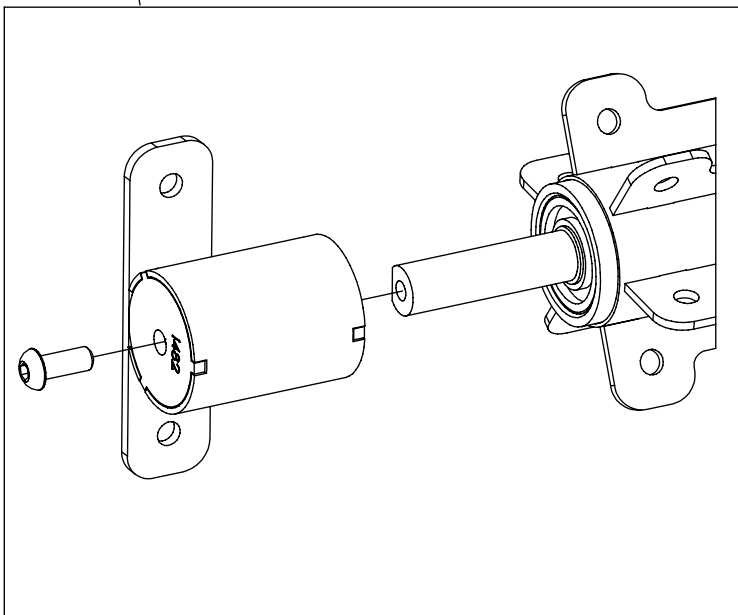


[cm]

vinci  
play



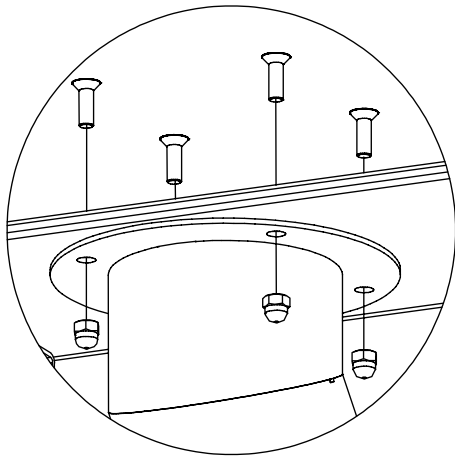
1x 12e147



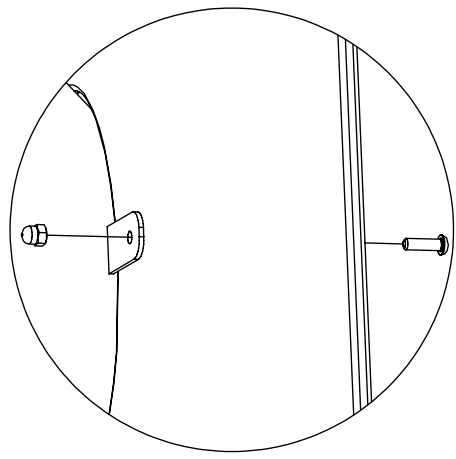
[cm]

vinci  
play

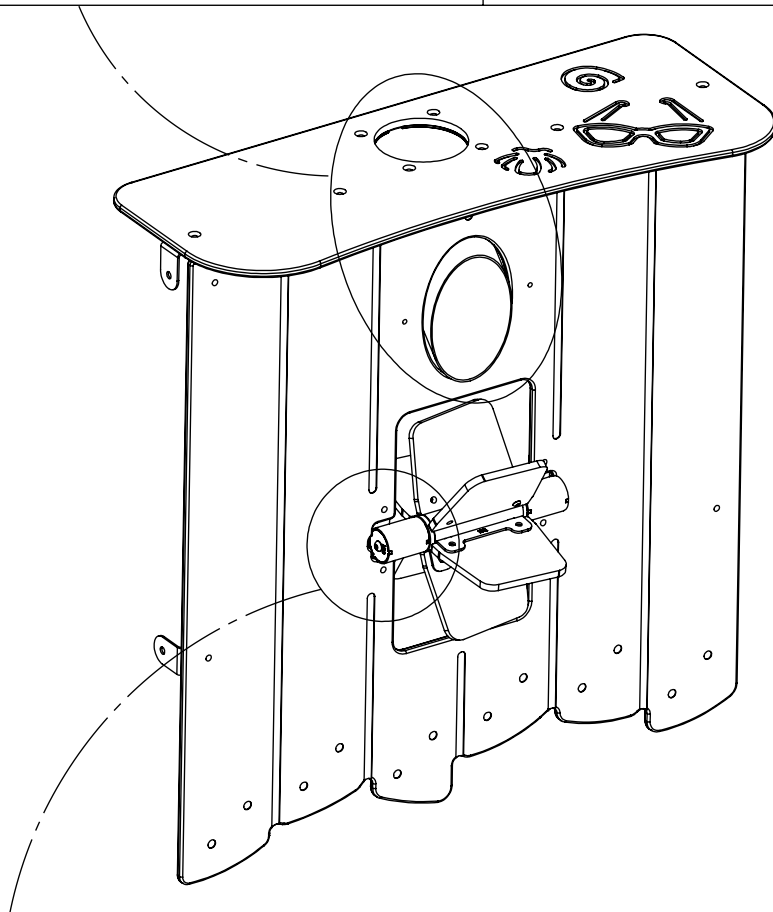
1.



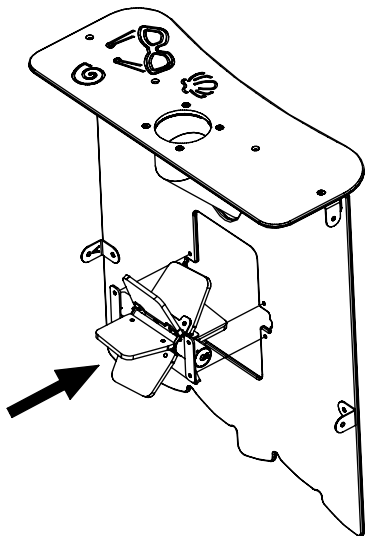
2.



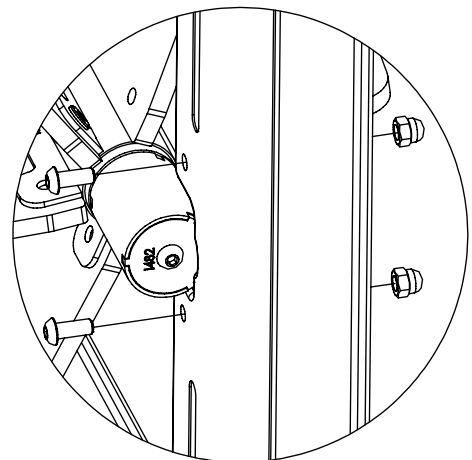
12e146



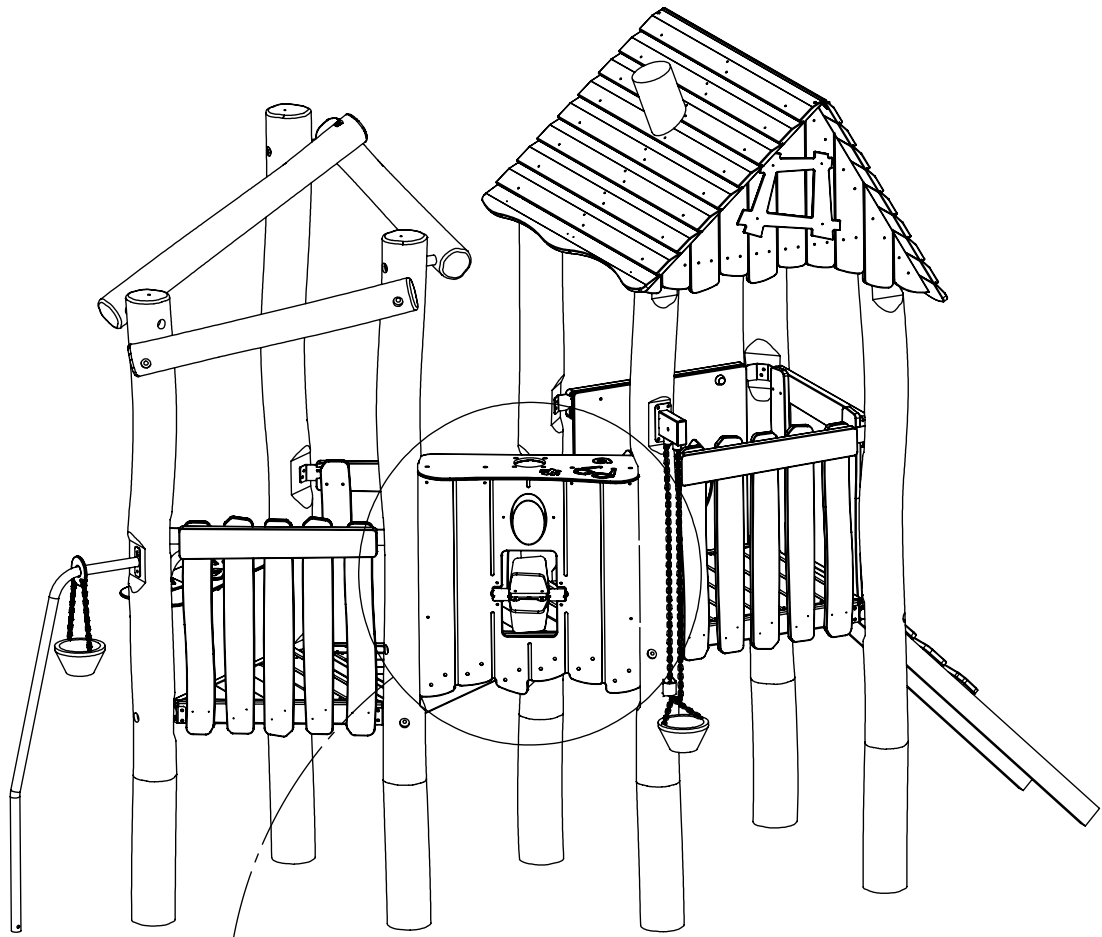
1.



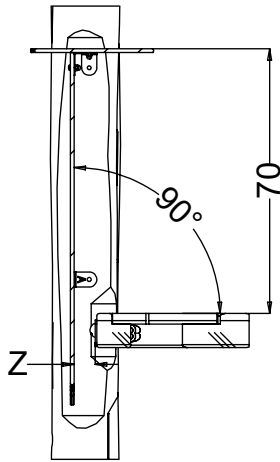
2.



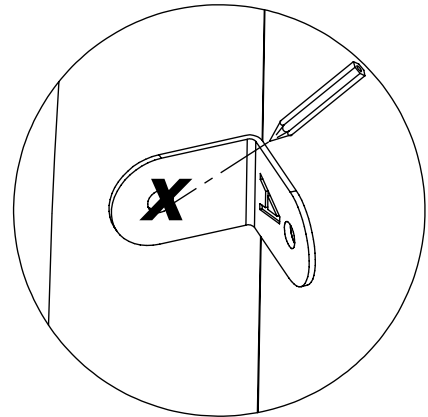
12e147



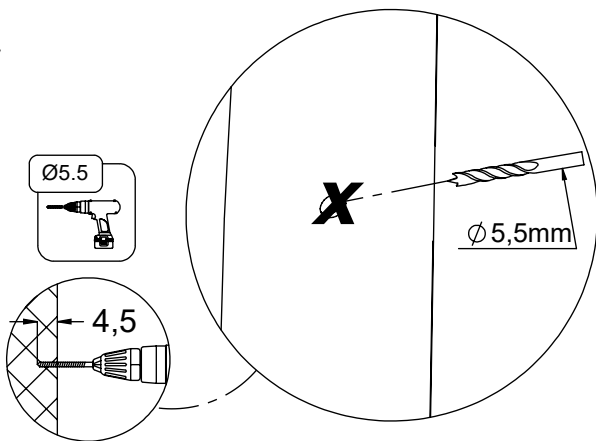
**1.**



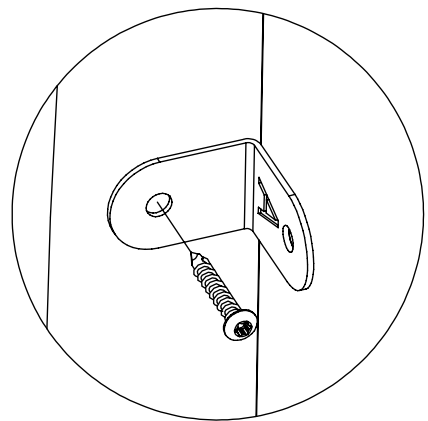
**2.**



**3.**

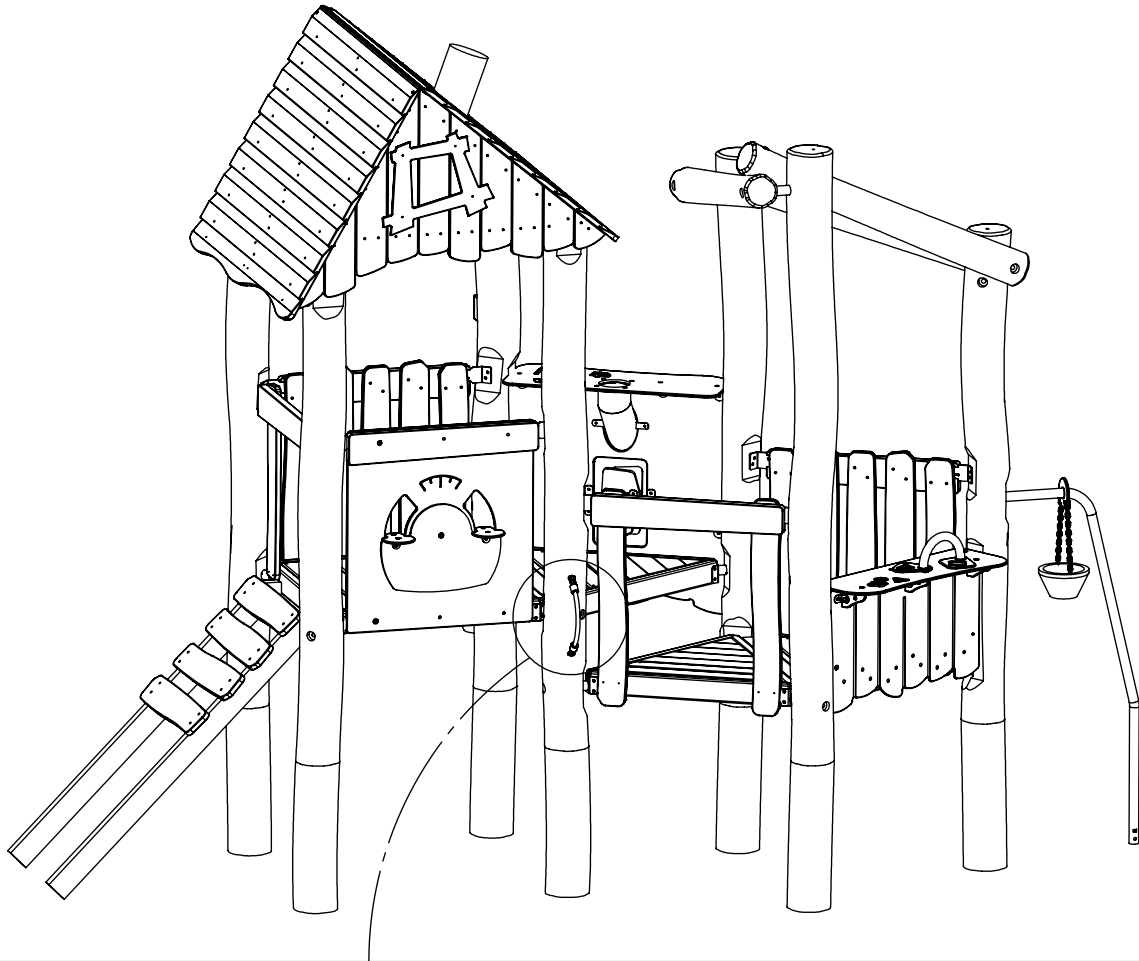


**4.**

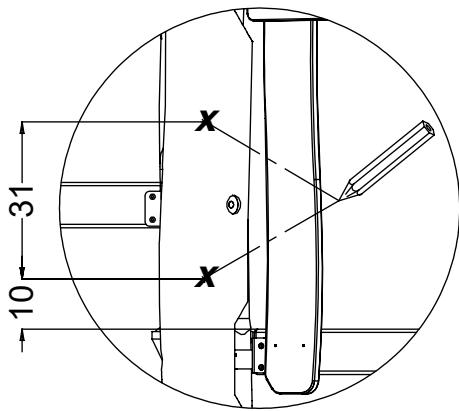


4x **8x50sxi**

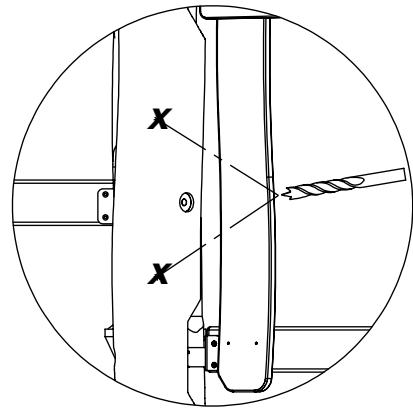




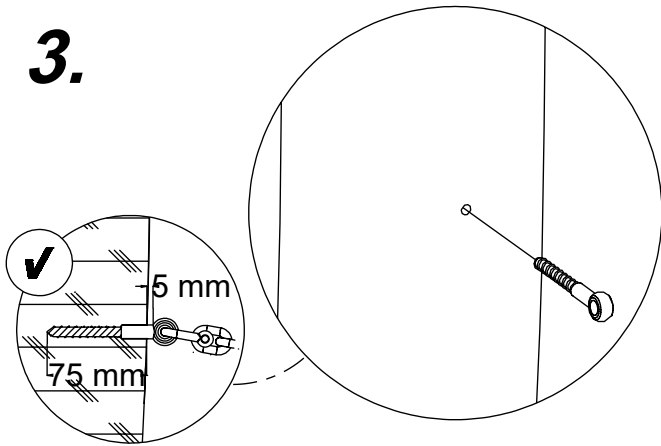
**1.**



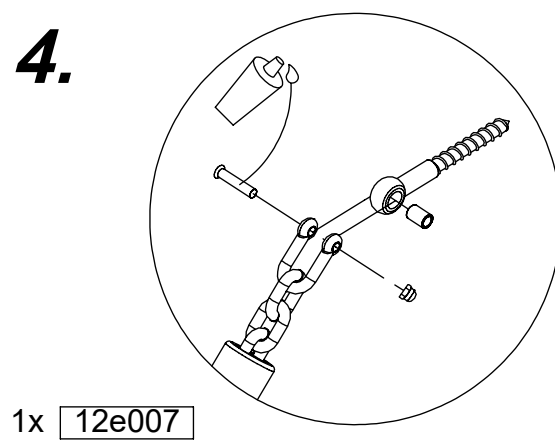
**2.**

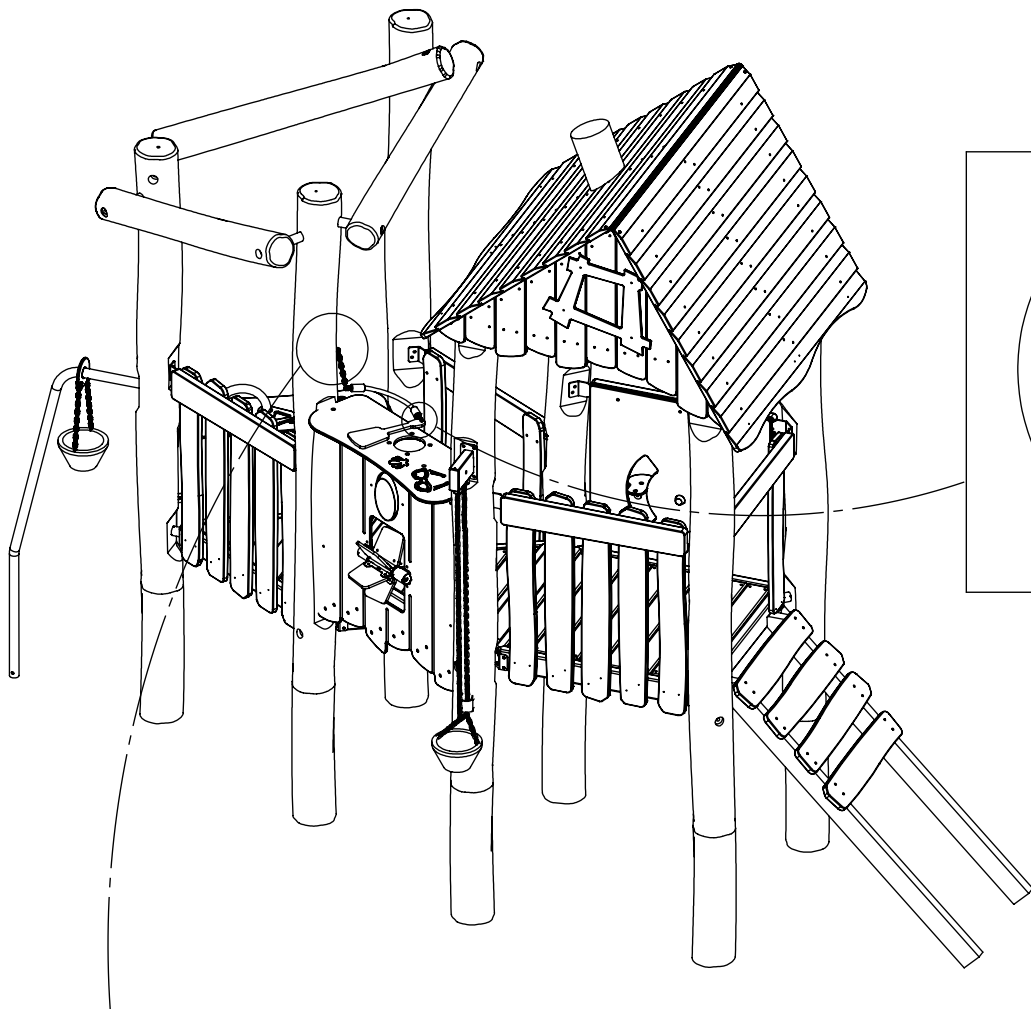


**3.**



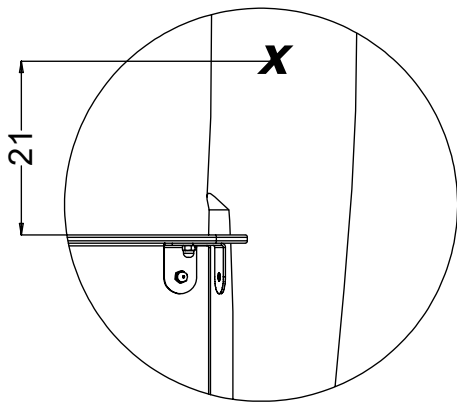
**4.**



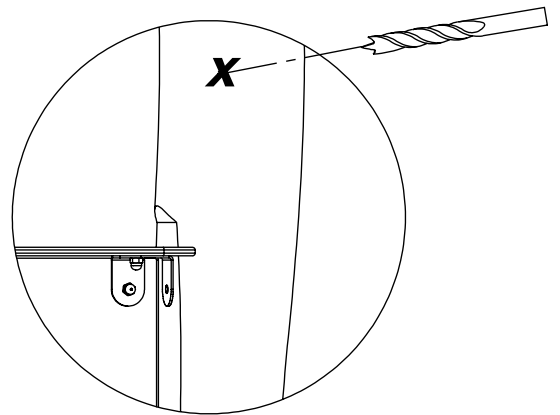


1x 12e148

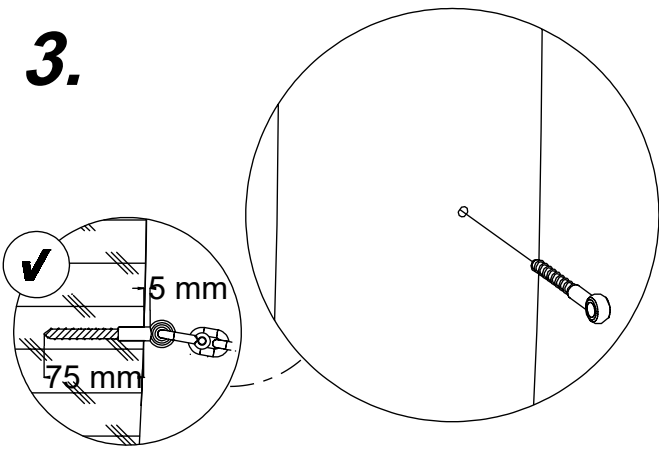
1.



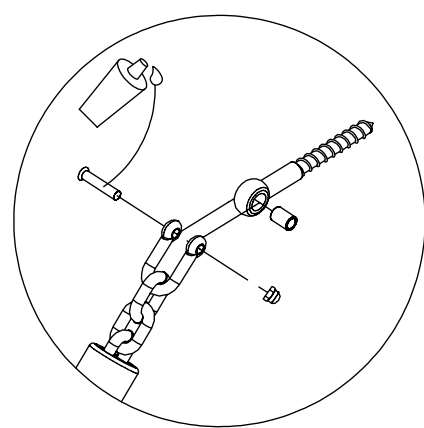
2.



3.



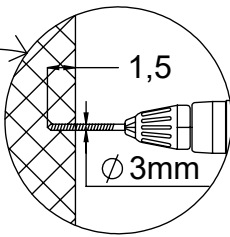
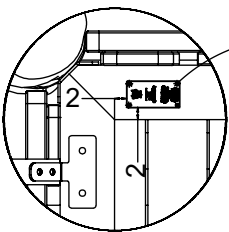
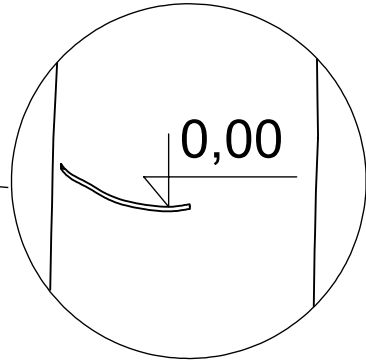
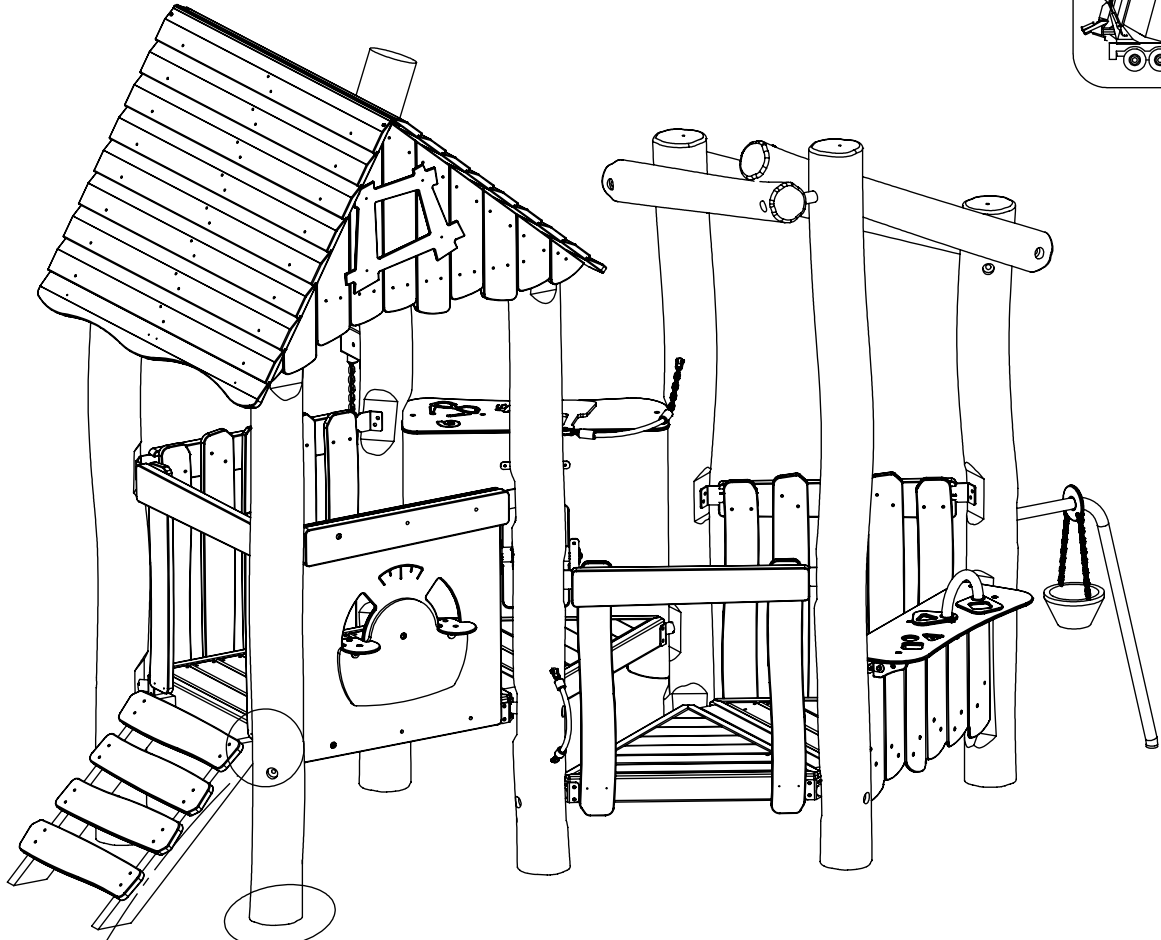
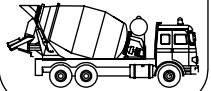
4.



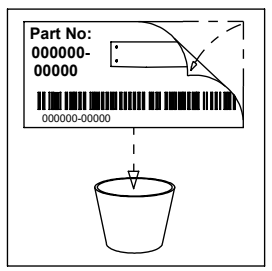
[cm]

vinci  
play

48h



V001



[cm]

vinci play