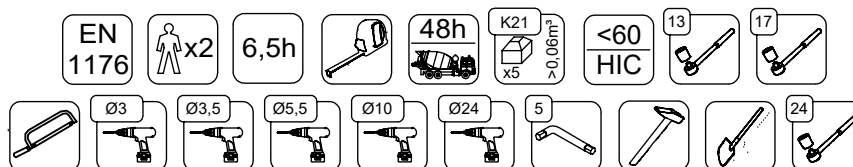
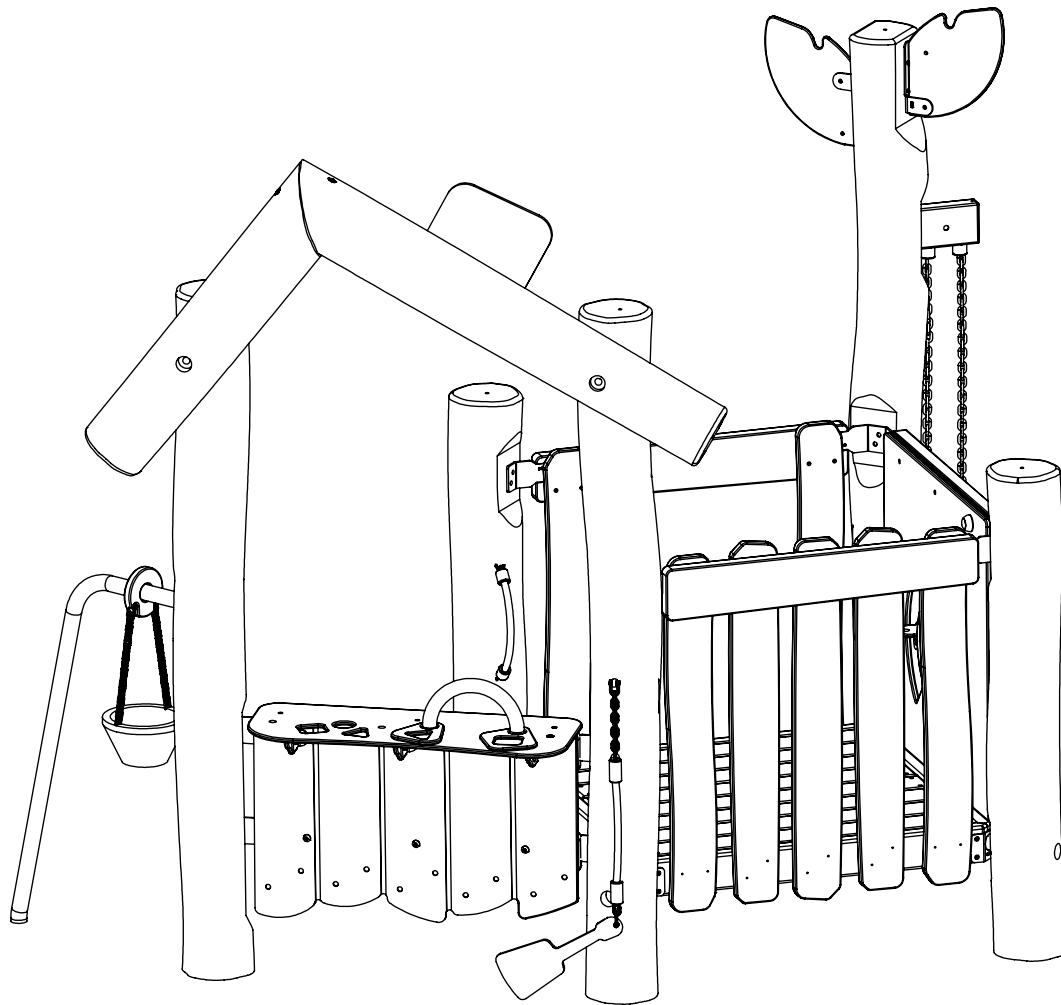
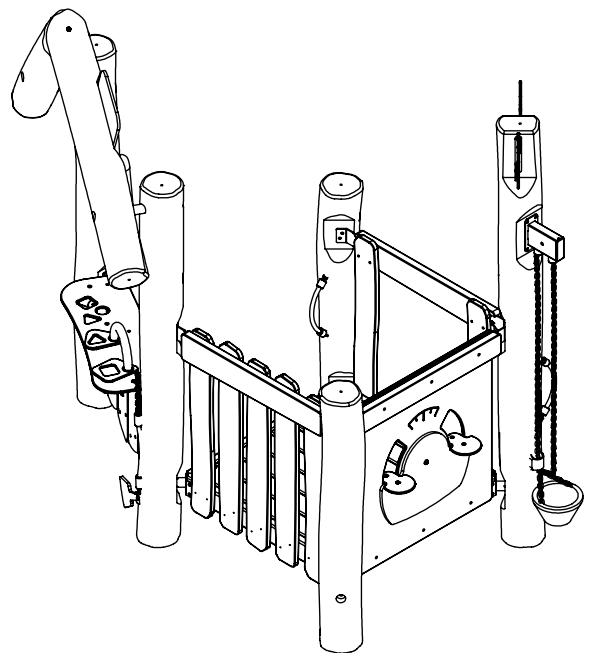
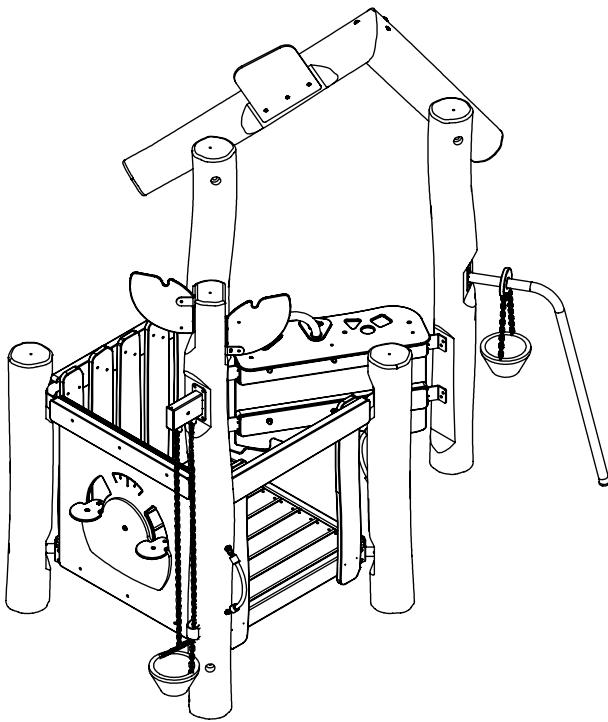
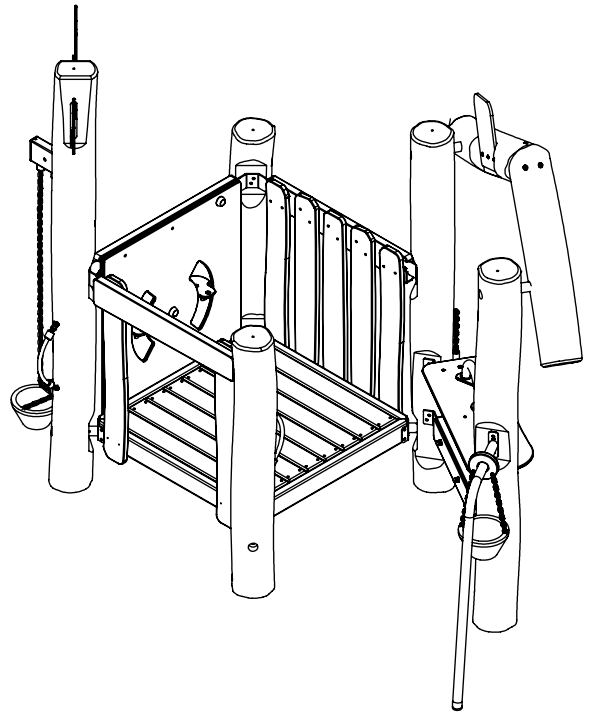
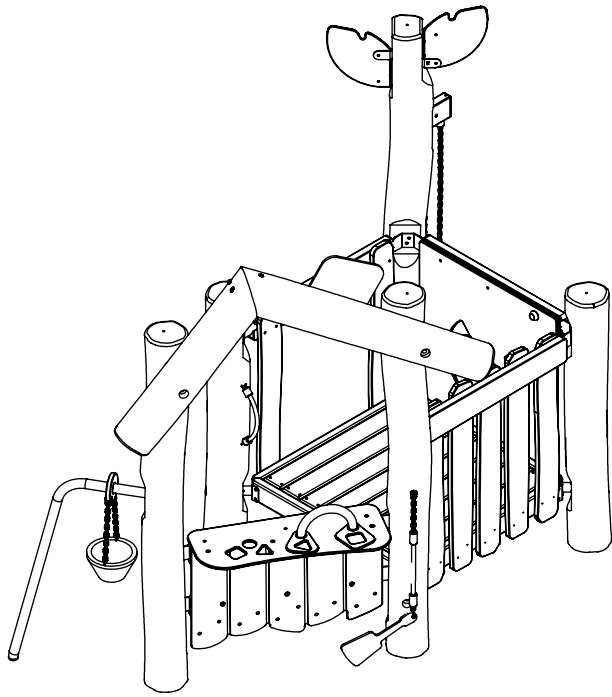


RB1327



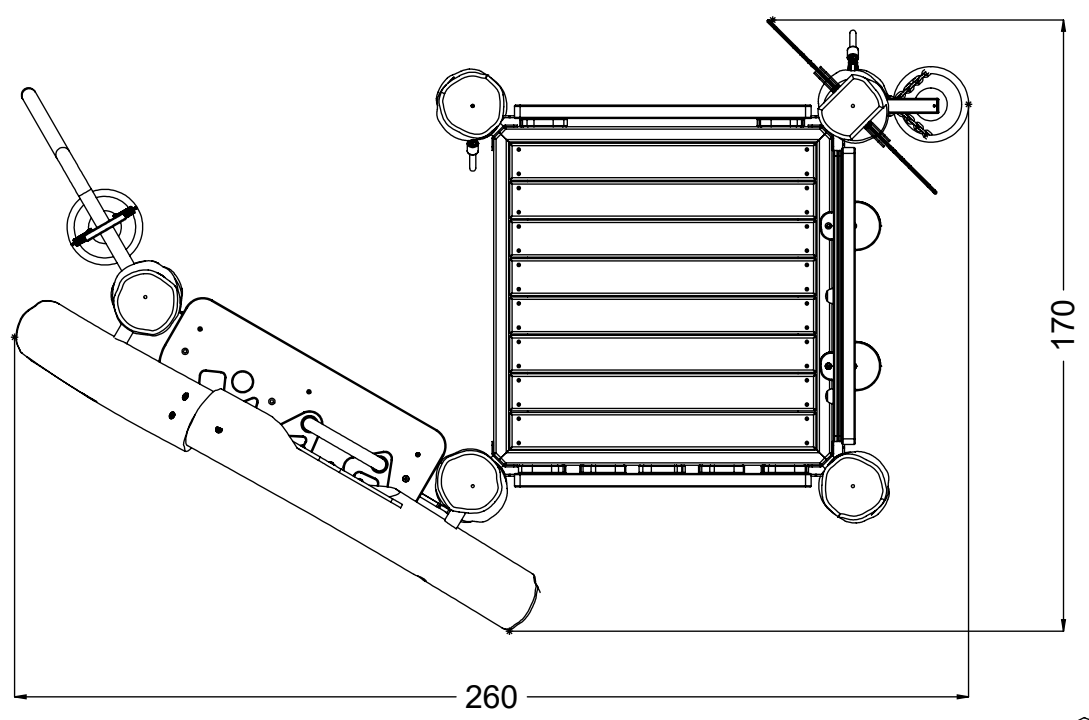
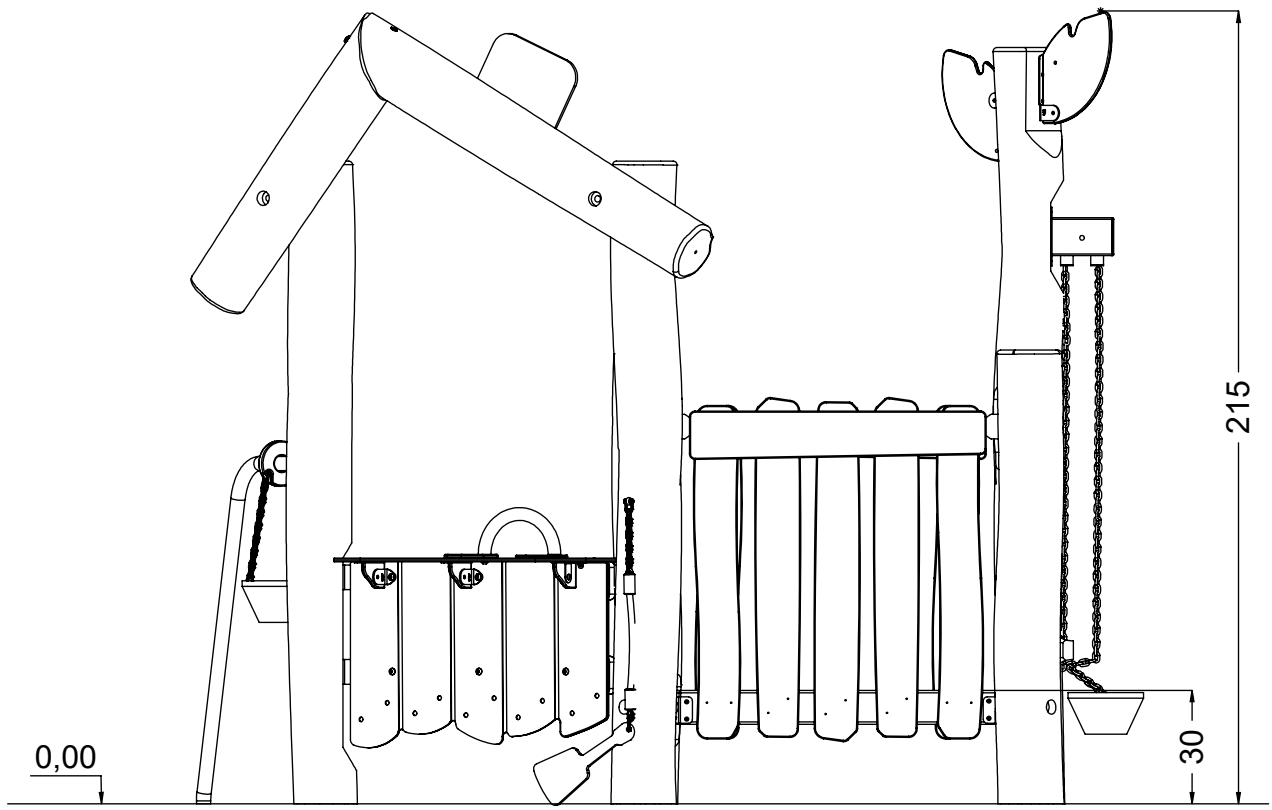
v010
31.01.2024
D. P.
[cm]

vinci
play



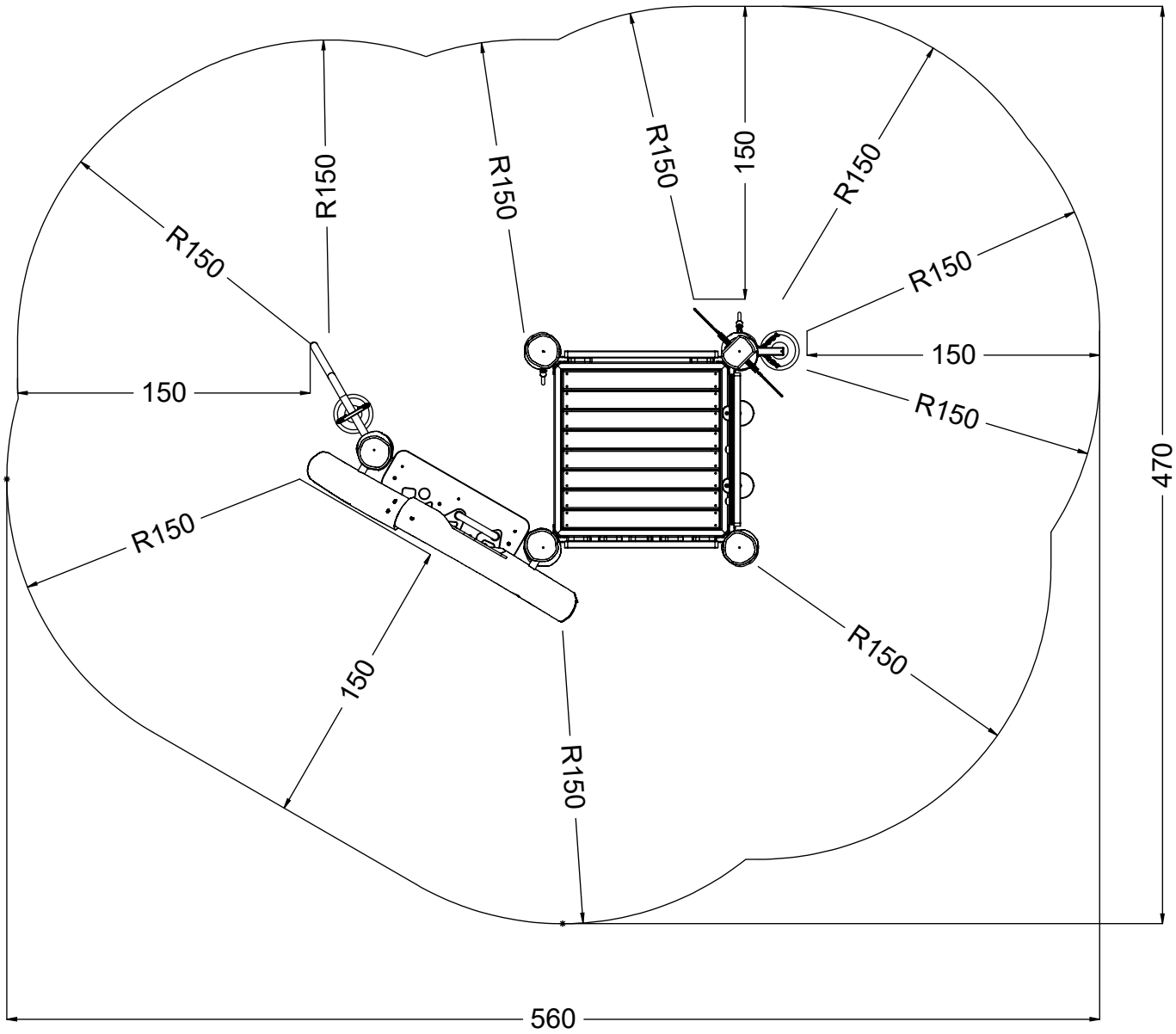
[cm]

vinci
play



[cm]

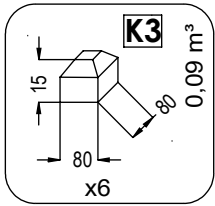
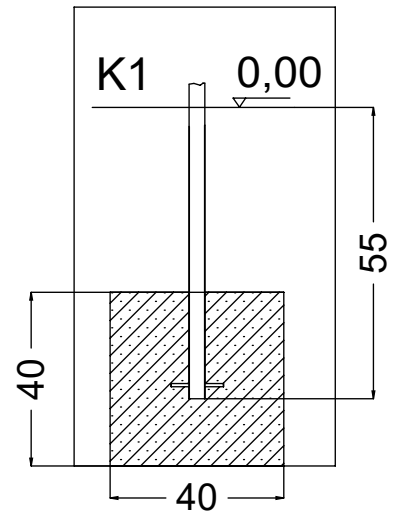
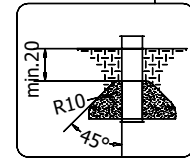
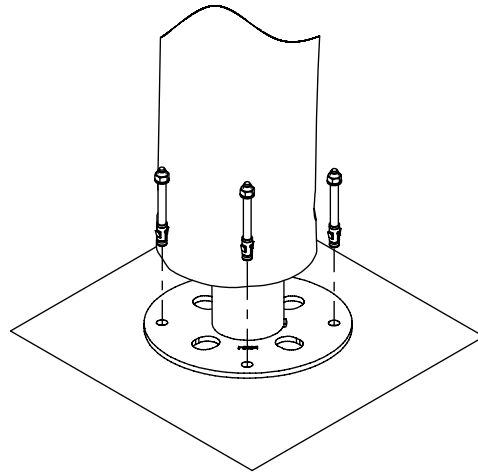
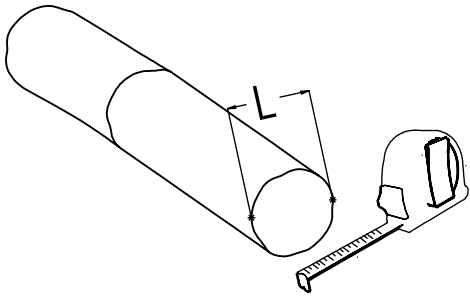
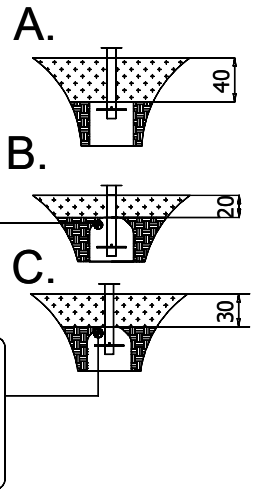
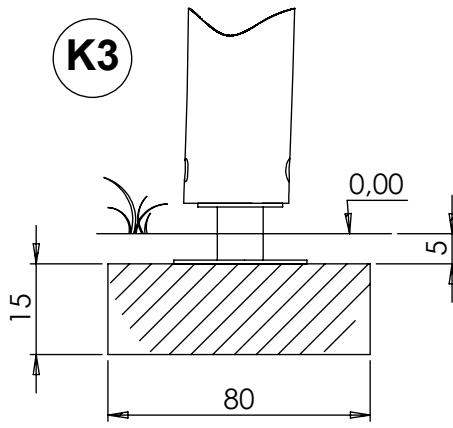
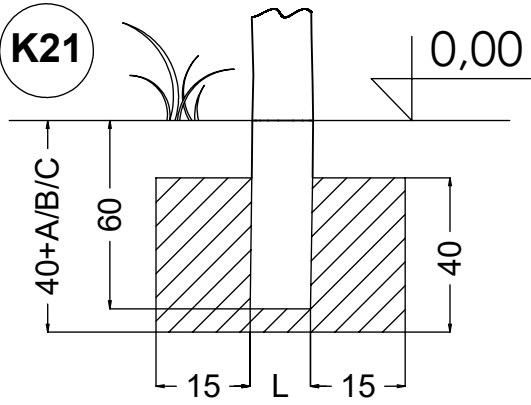
vinci
play



[cm]

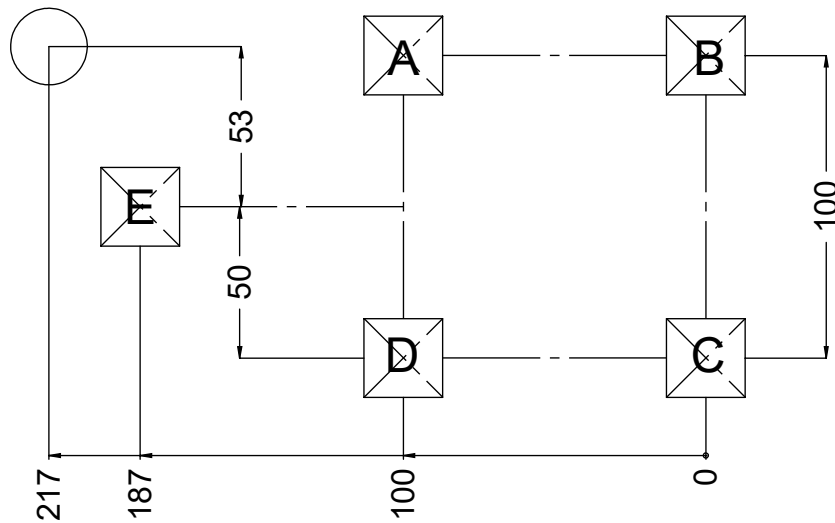


vinci
play



20x M10x120 (K3)
2x M8x120 (K3)

NOT INCLUDED



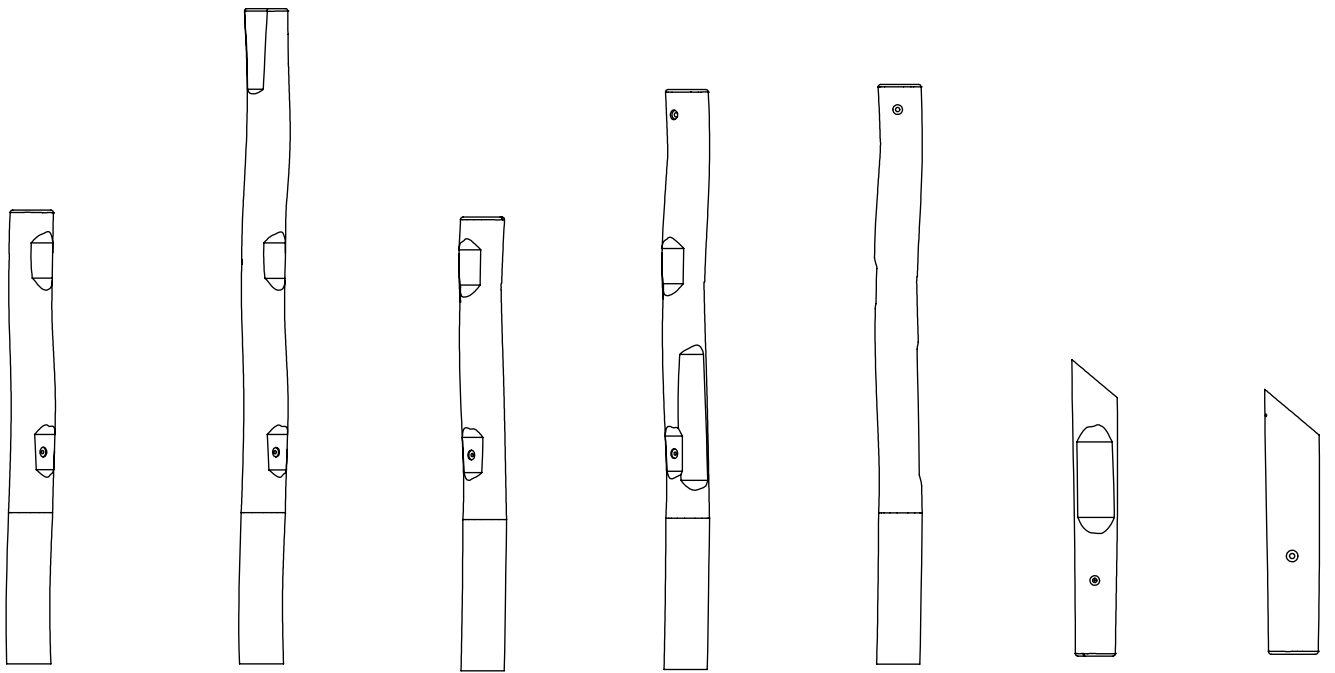
[cm]



6,5h



vinci
play



127942 (A)
x1

127940 (B)
x1

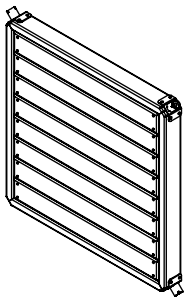
127941 (C)
x1

127943 (D)
x1

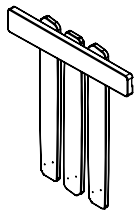
127944 (E)
x1

127938
x1

127939
x1



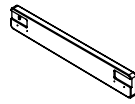
124100
x1



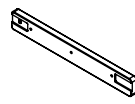
124104
x1



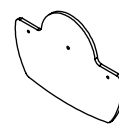
128181
x4



128107
x1



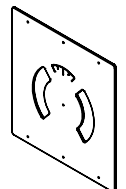
128339
x3



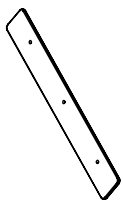
121208
x1



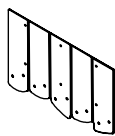
121209
x2



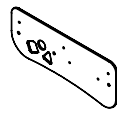
121207
x1



121226
x3



121210
x1



121211
x1



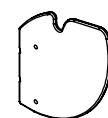
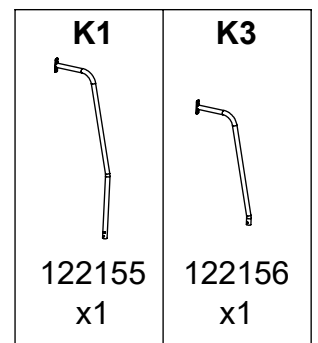
121212
x1



121213
x1



122159
x1



121199
x2



125153
x1



994121
x1



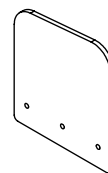
124188
x1



121229
x3



121217
x1



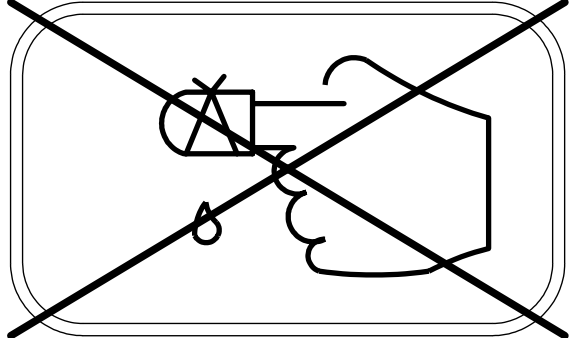
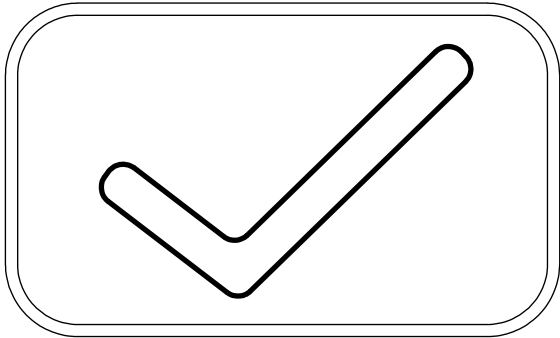
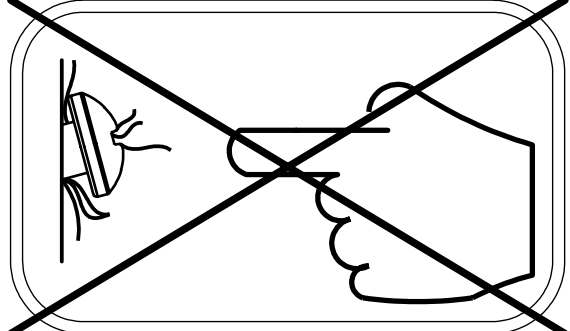
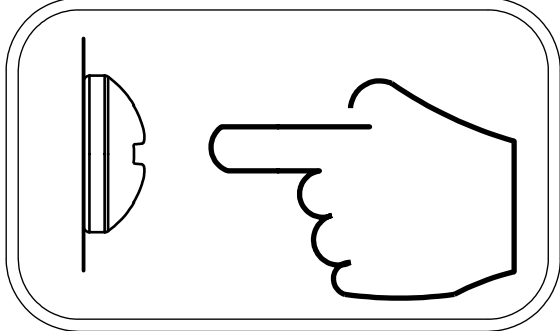
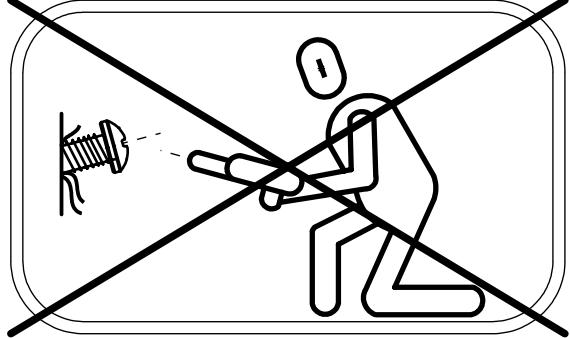
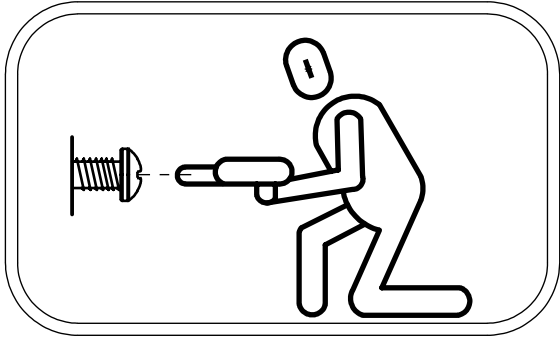
121233
x1

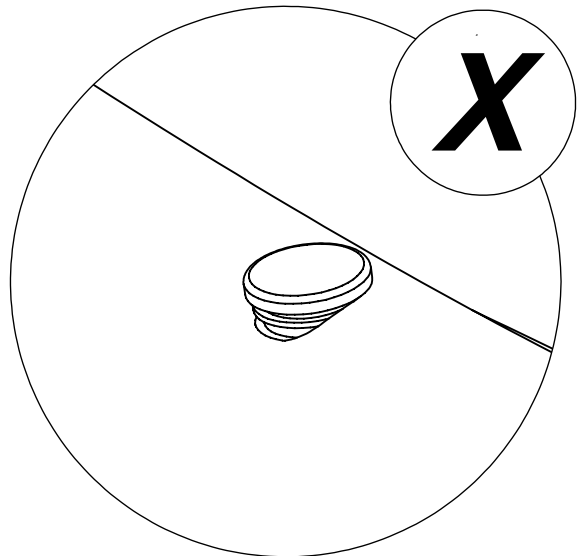
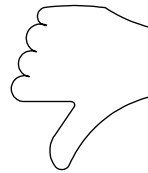
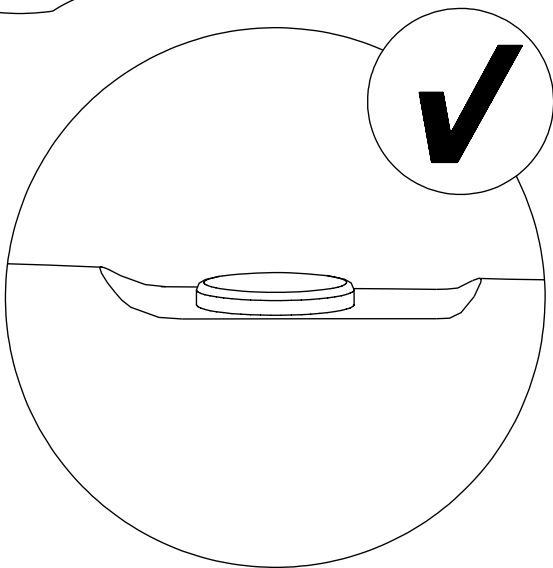
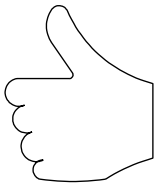
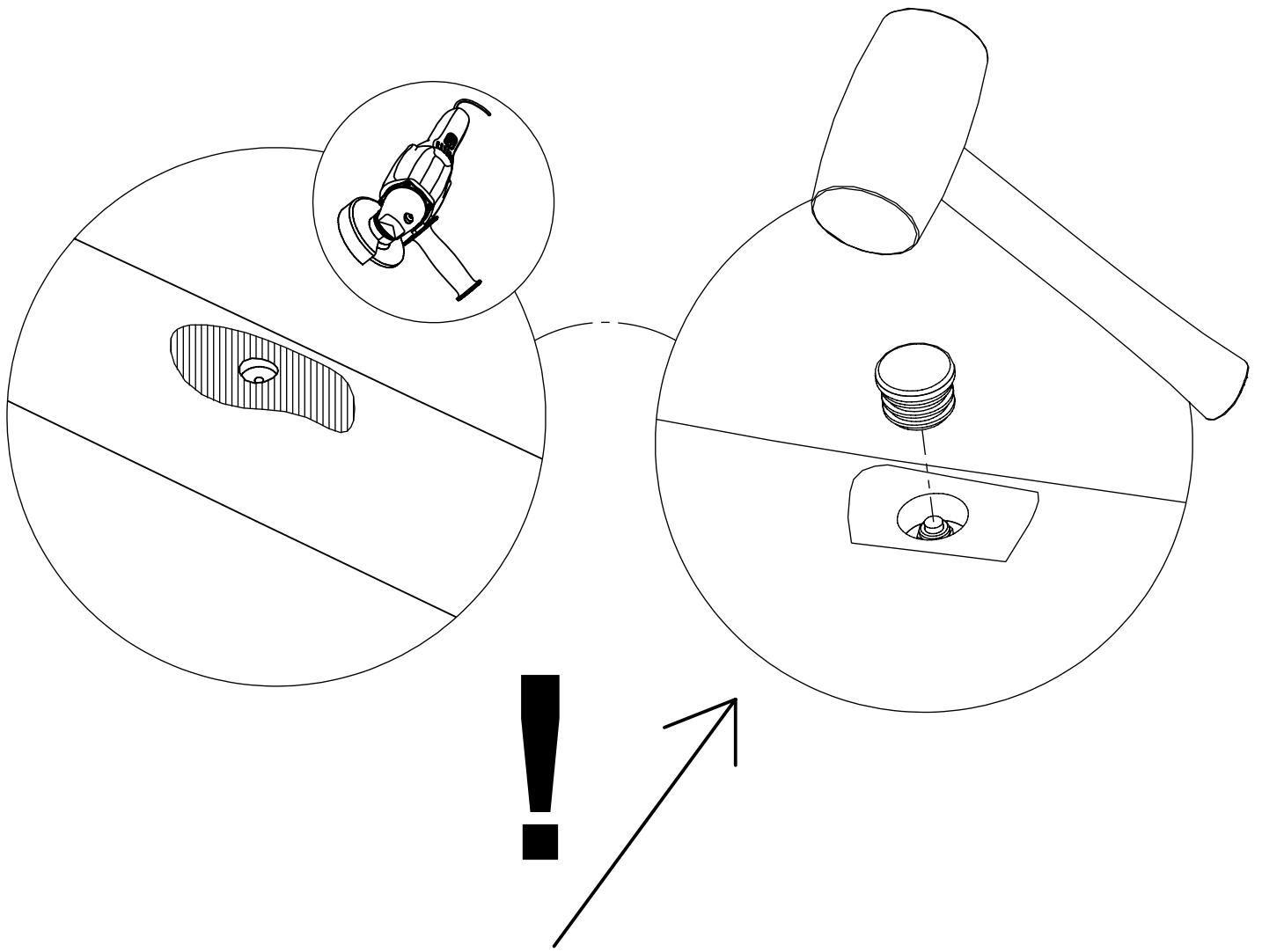
[cm]

vinci
play

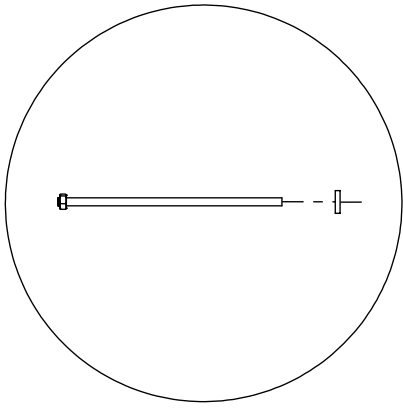
33x	5x30 sxs
22x	5x50 sxs
2x	6x50 sxs
37x	8x50 sxi
3x	8x60 sxt
3x	8x160 sxt
2x	10x40 ikl
3x	10ppl
20x	8x120 sxi (K3)

1x	12e004
2x	12e007
5x	12e109 (K3)
1x	12e146
1x	12e148
1x	12e149
1x	12e152
1x	12e155
1x	12e156
2x	i030
2x	WD213
2x	b389
2x	b390
4x	b399
1x	E38 (K3)
1x	V001

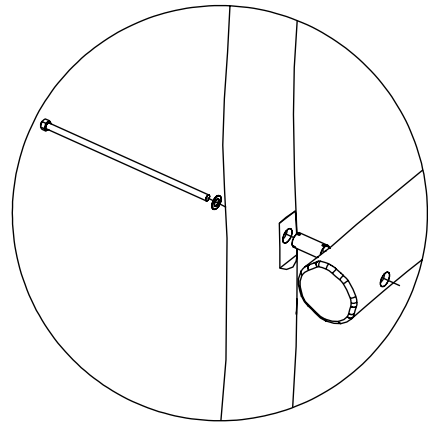




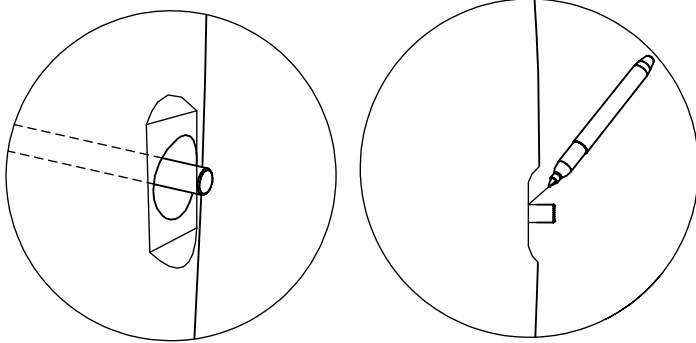
1.



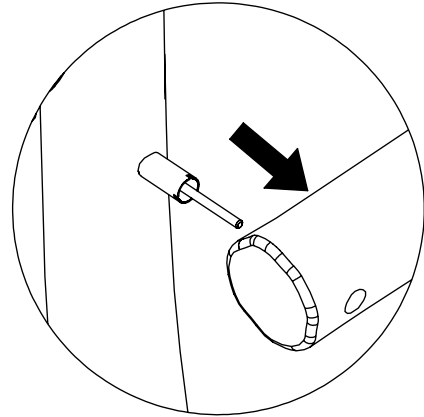
2.



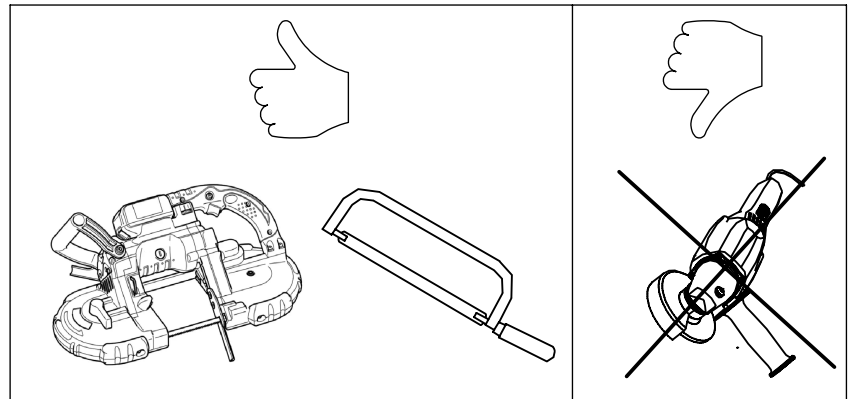
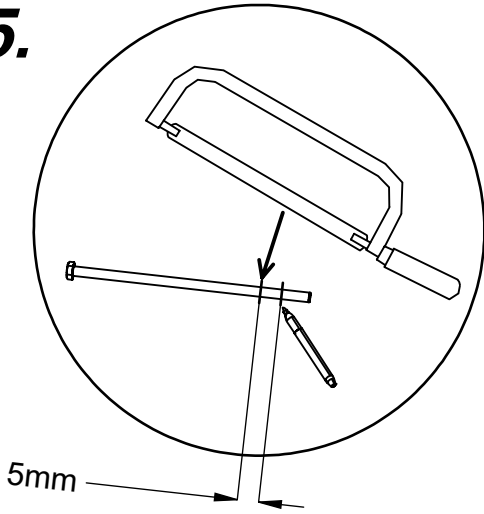
3.



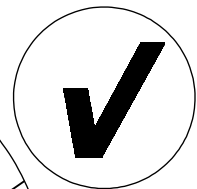
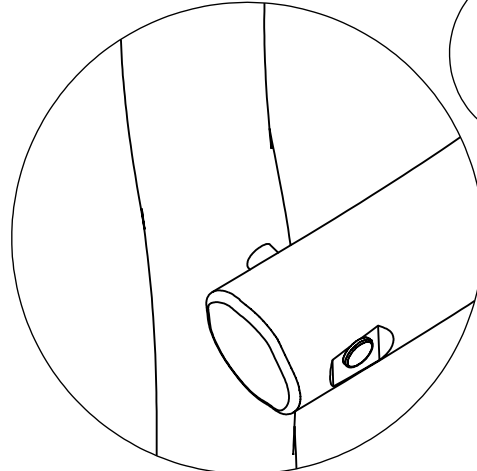
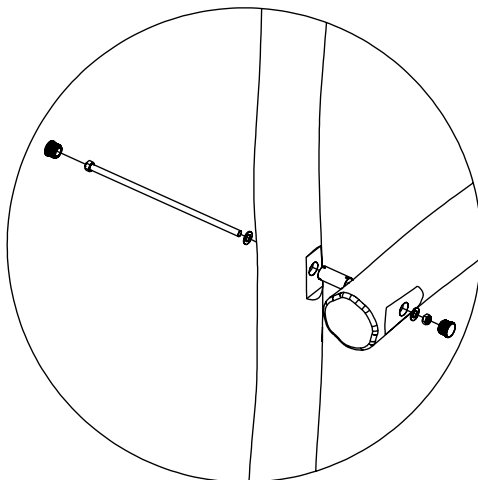
4.



5.



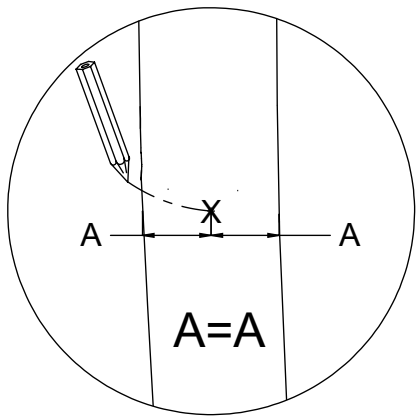
6.



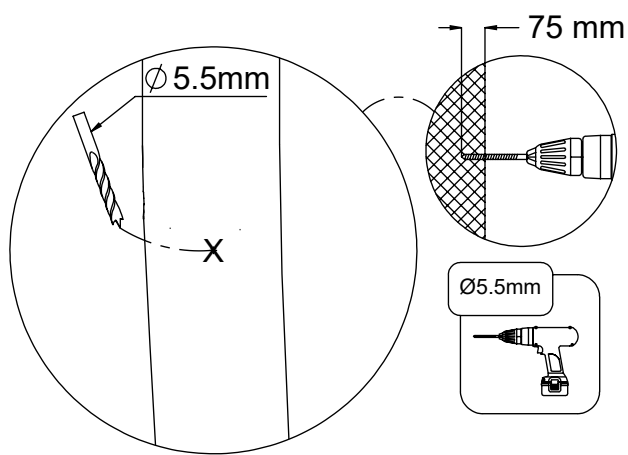
[cm]

vinci
play

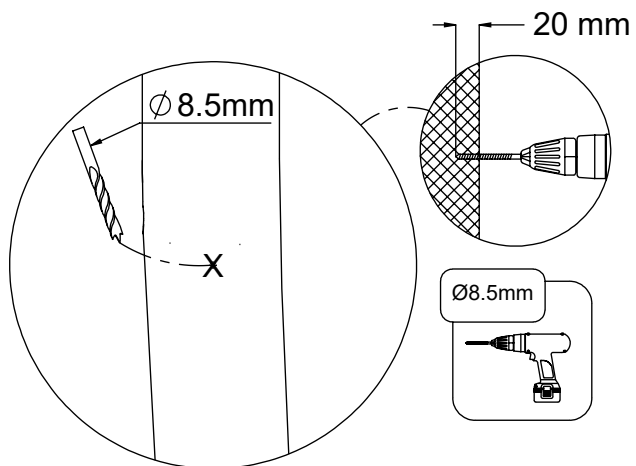
1.



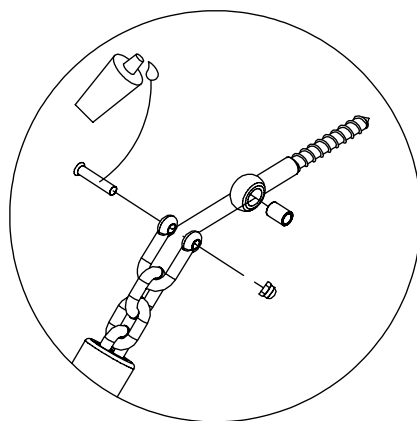
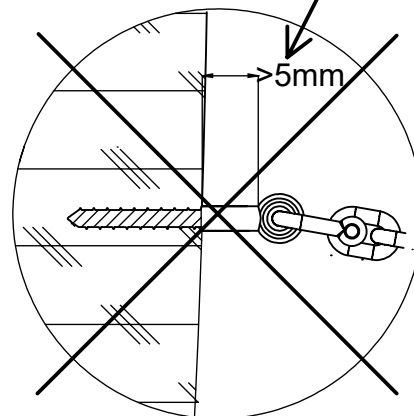
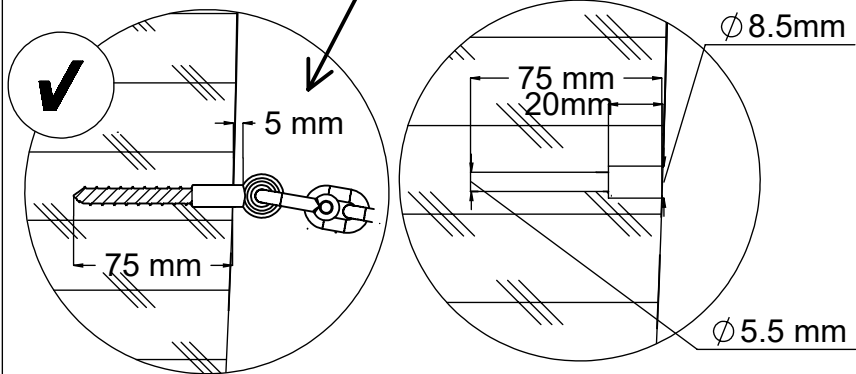
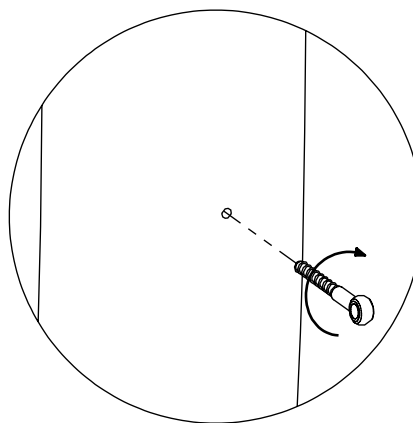
2.



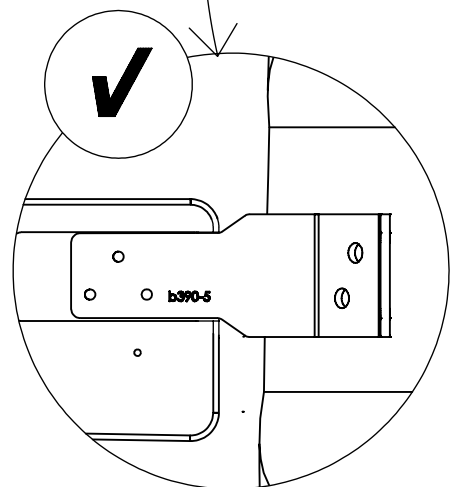
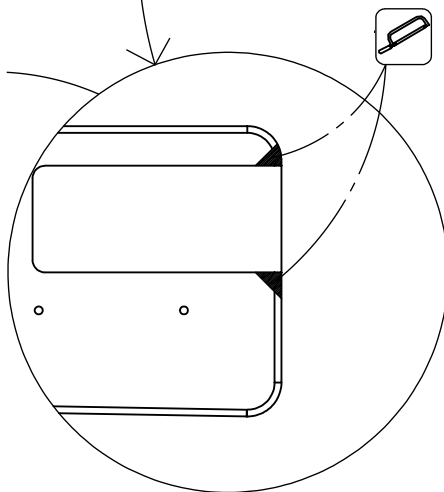
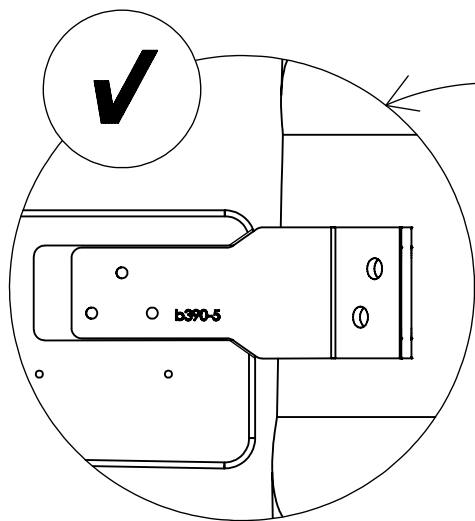
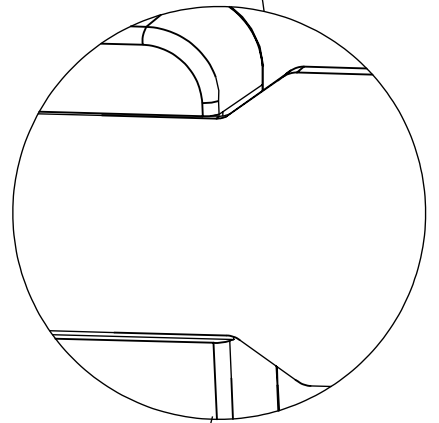
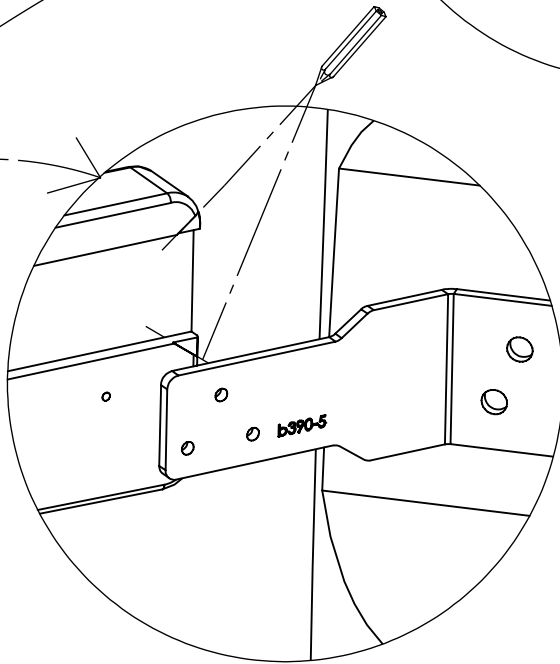
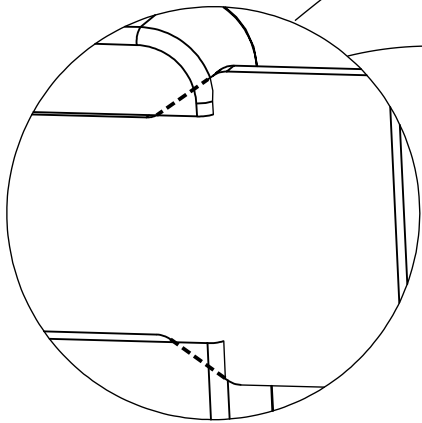
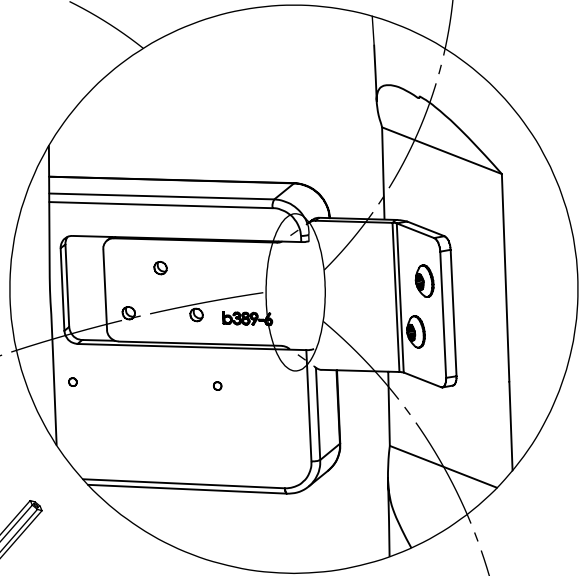
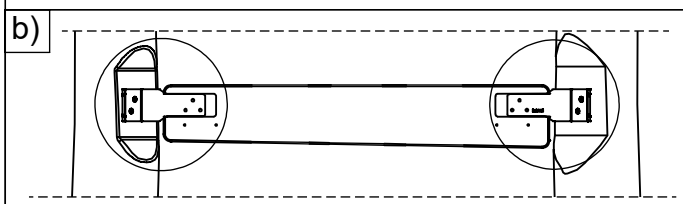
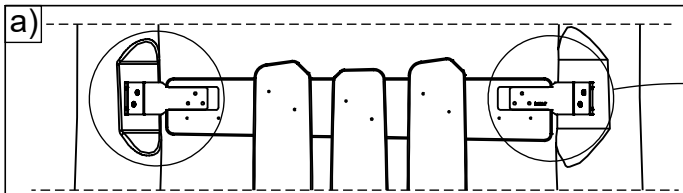
3.



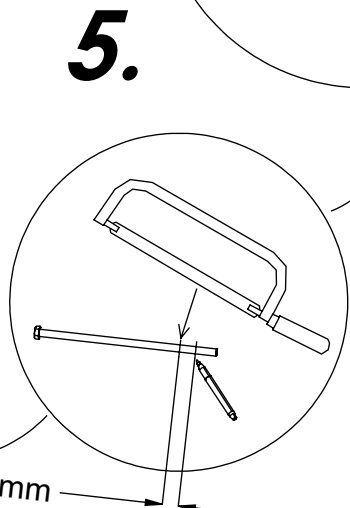
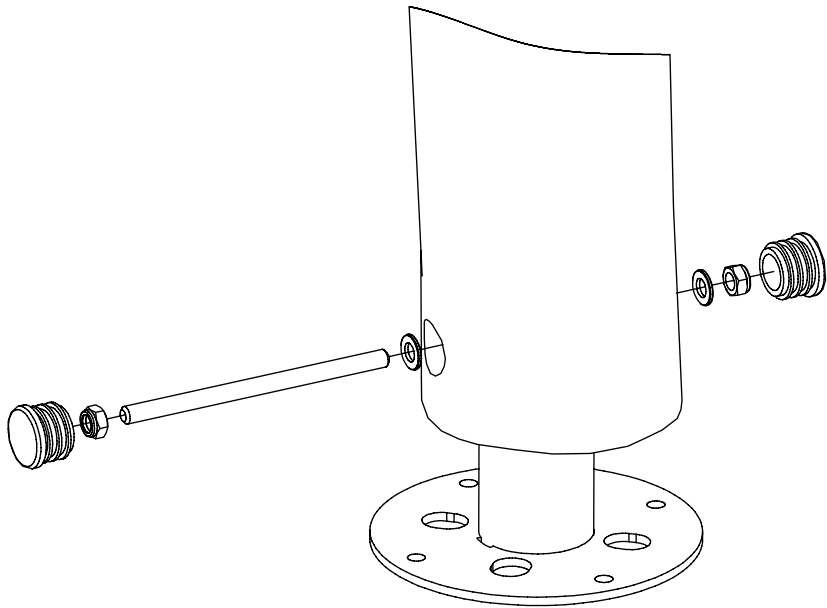
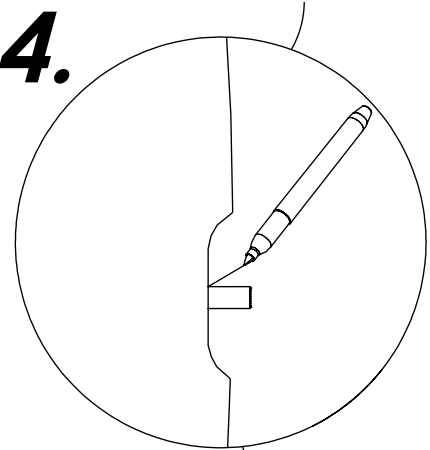
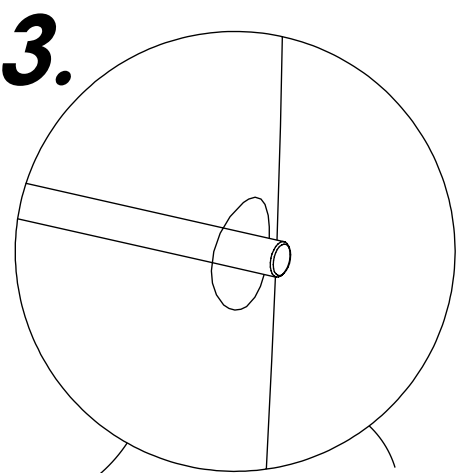
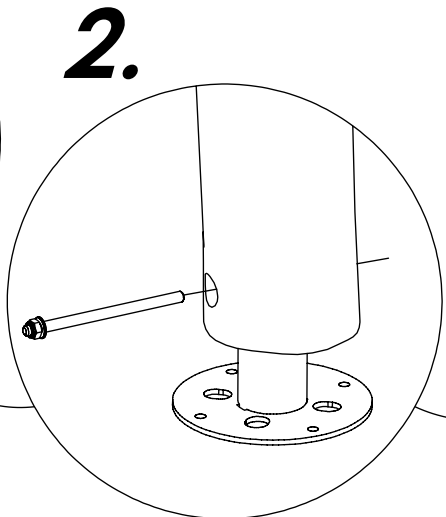
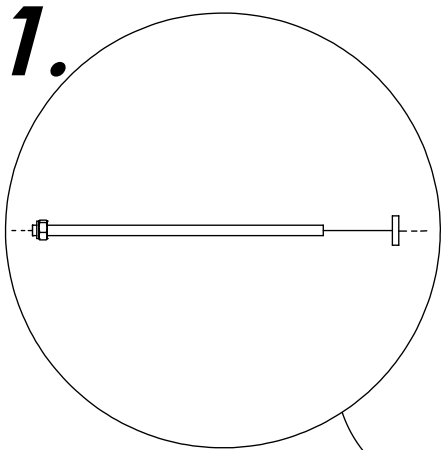
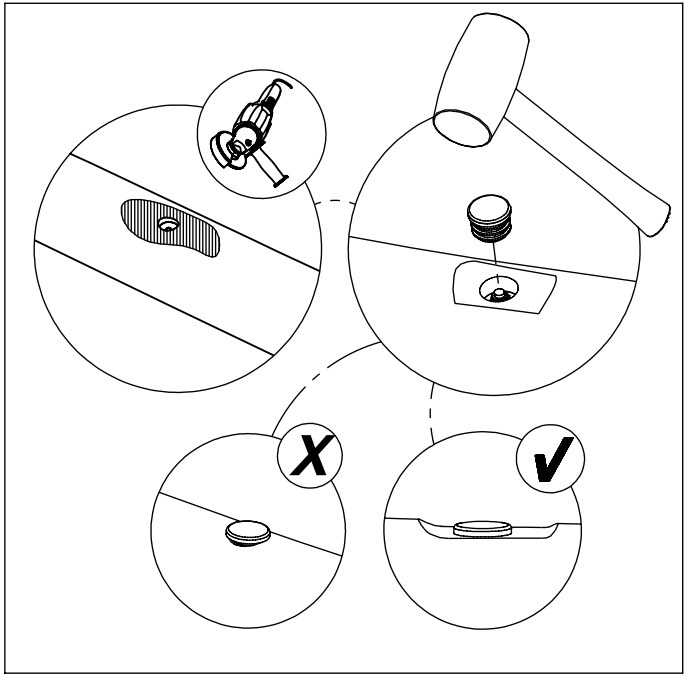
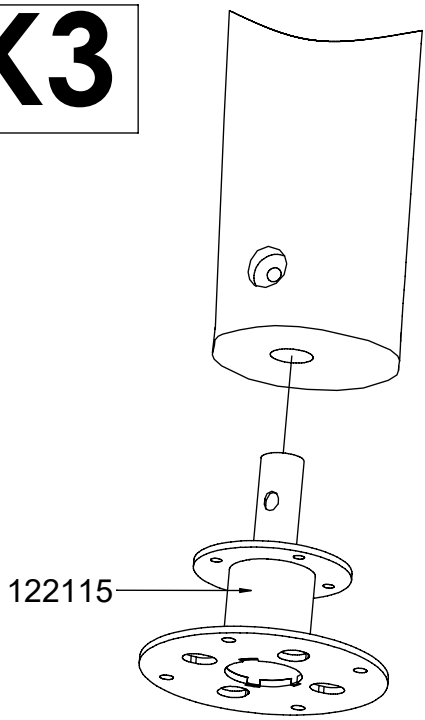
4.



vinci
play



K3



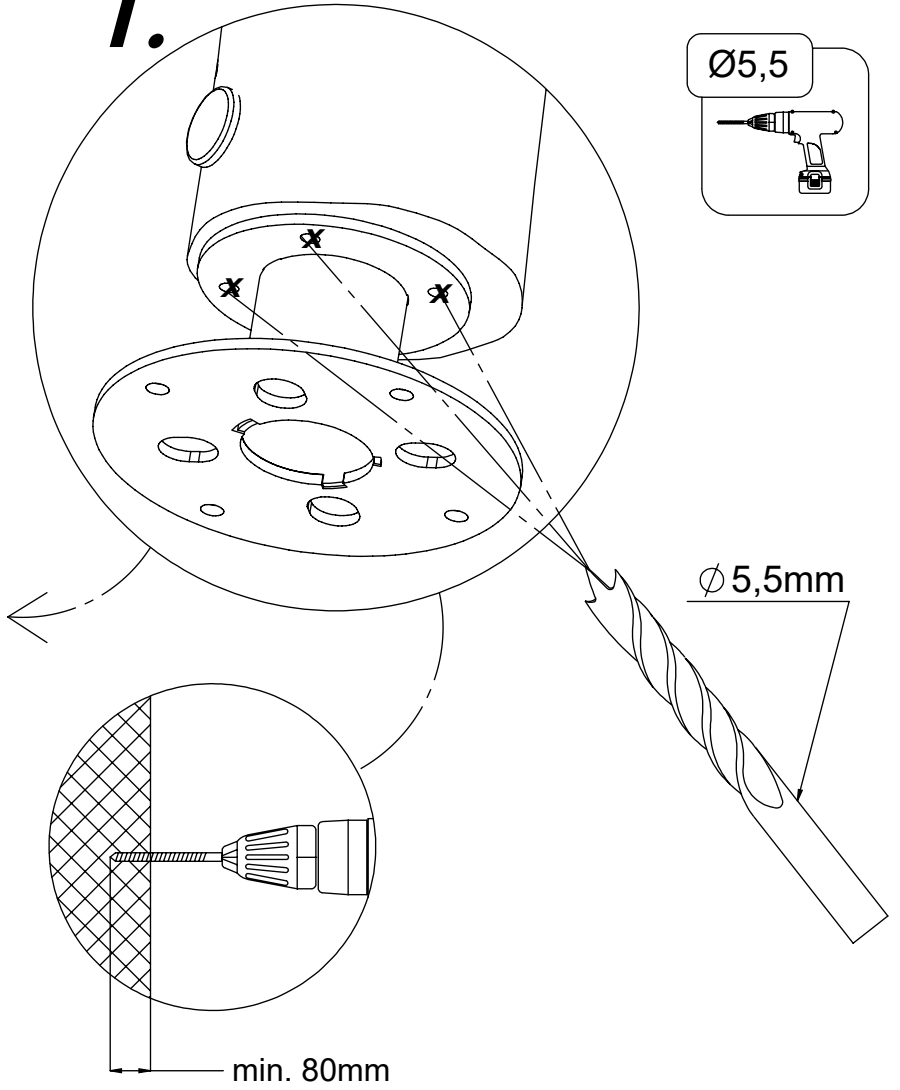
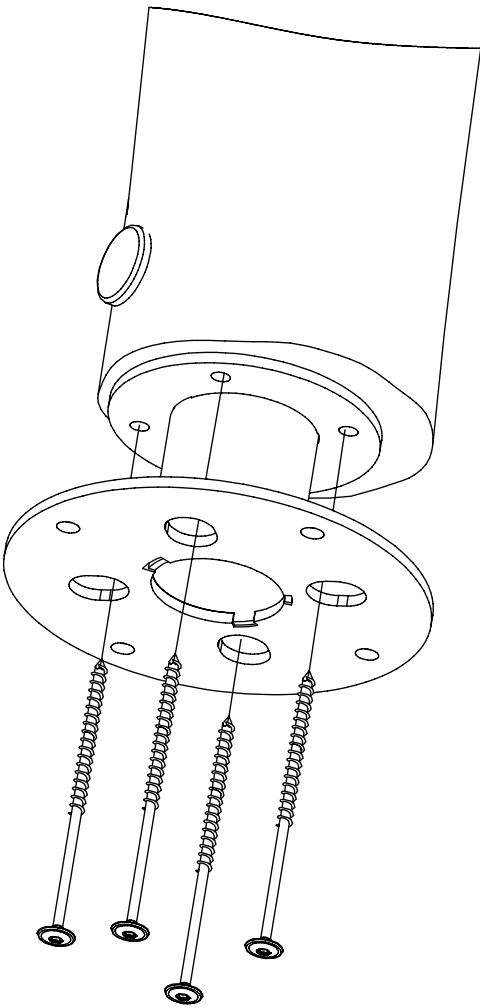
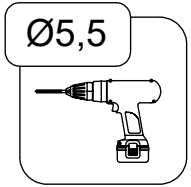
[cm]

12e109

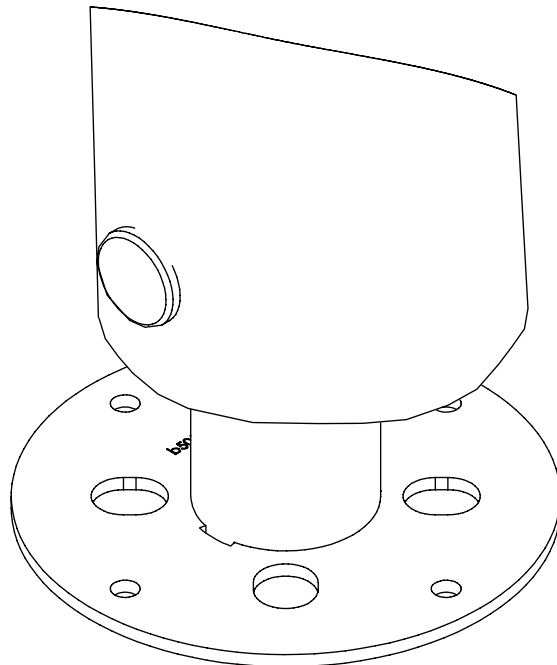
vinci play

K3

1.



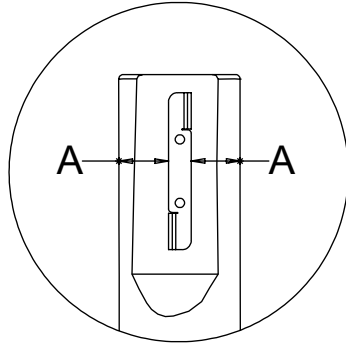
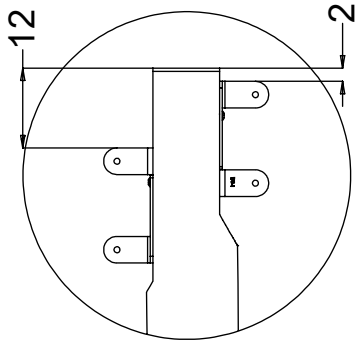
8x120sxt



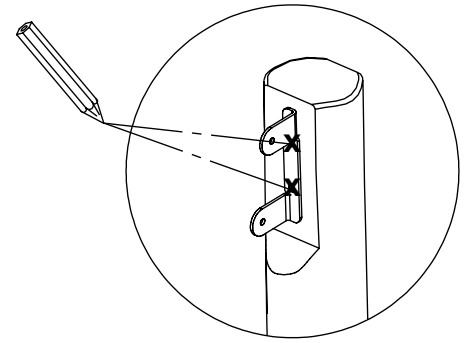
[cm]

vinci
play

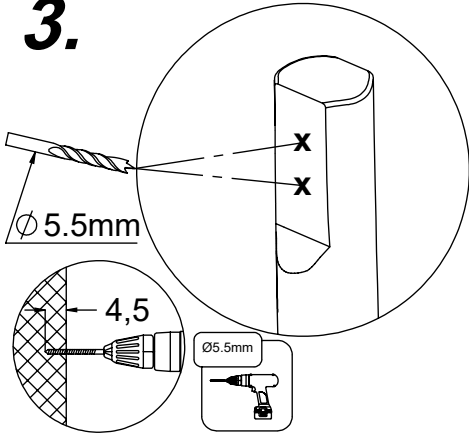
1.



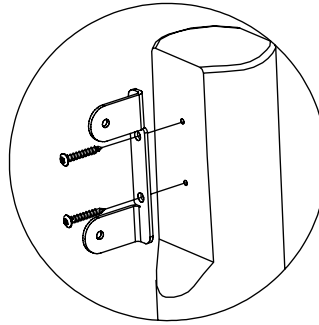
2.



3.

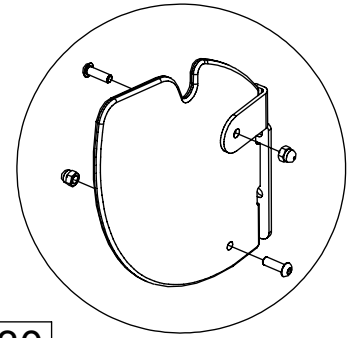


4.



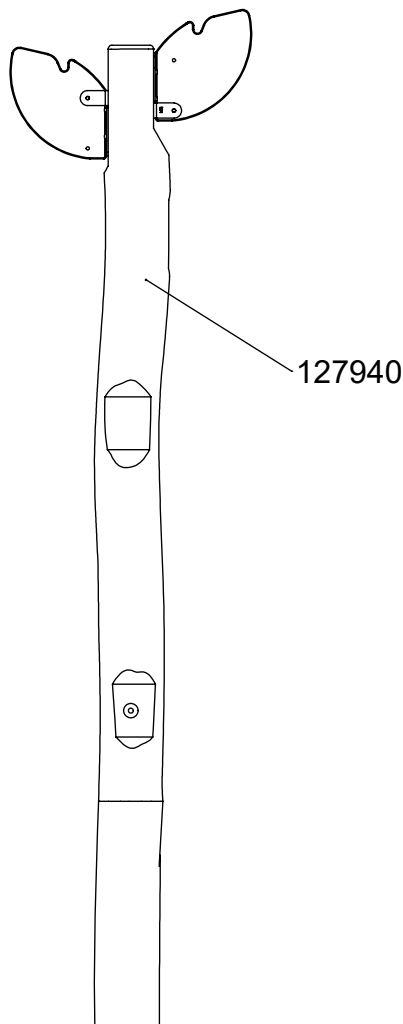
4x 8x50sxi

5.



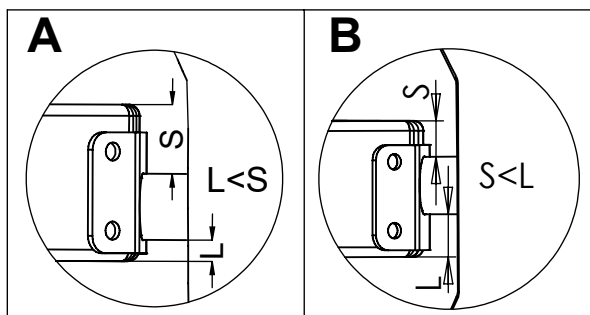
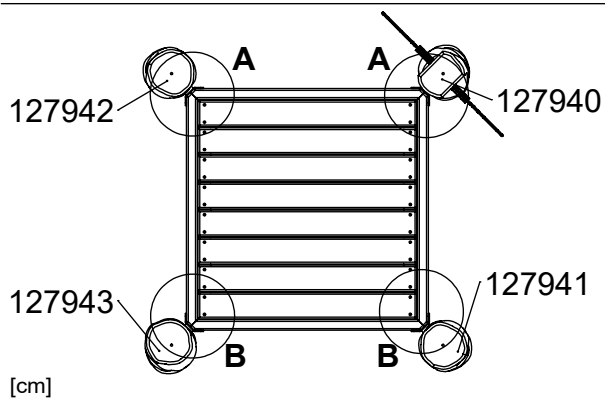
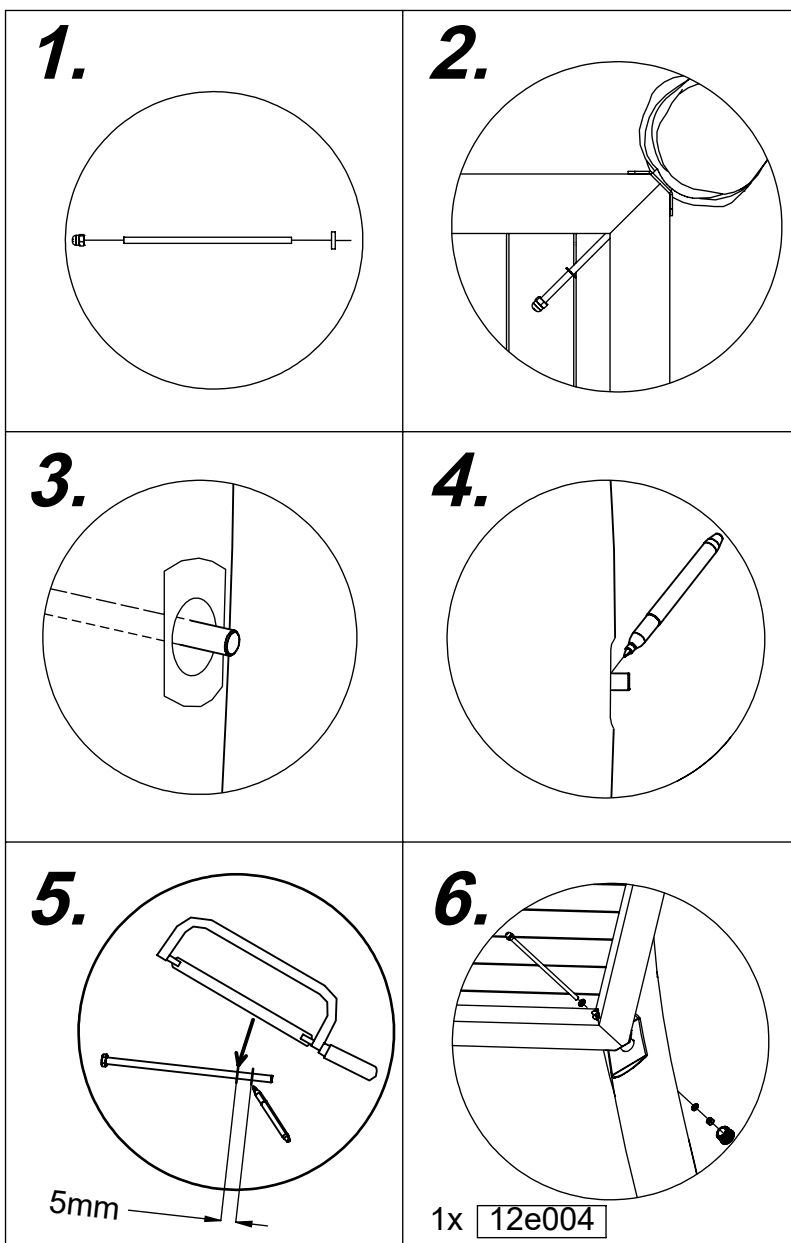
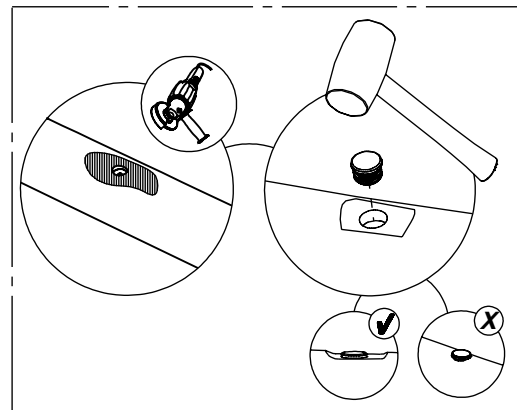
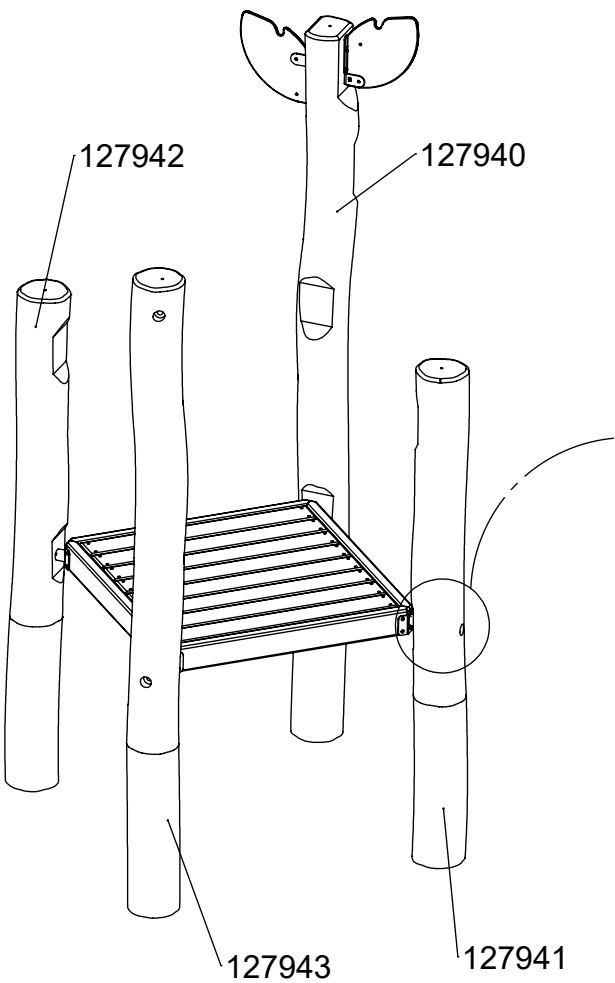
2x i030

2x WD213

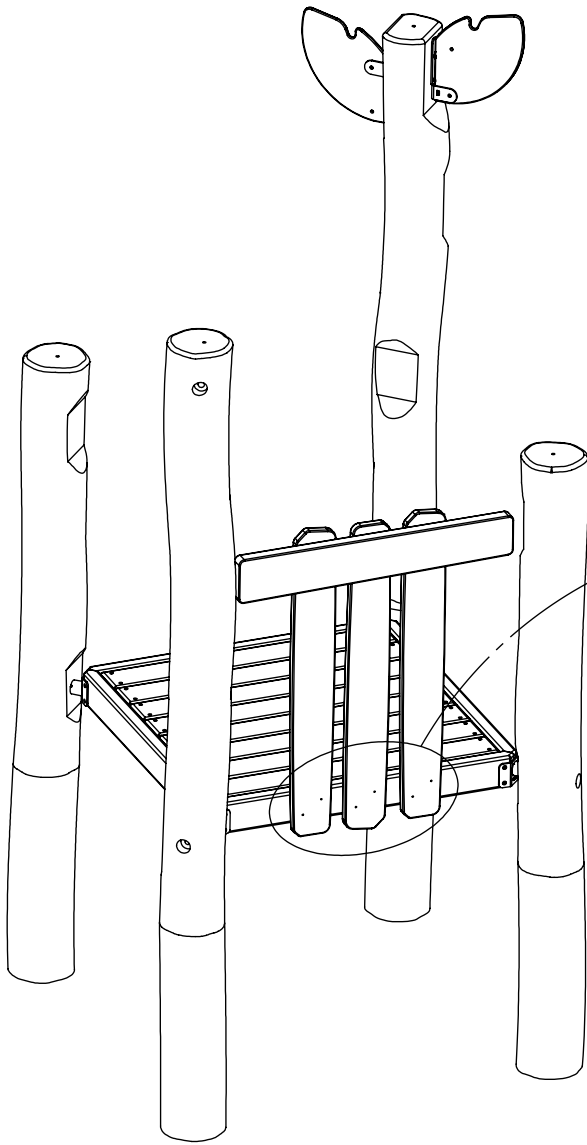


[cm]

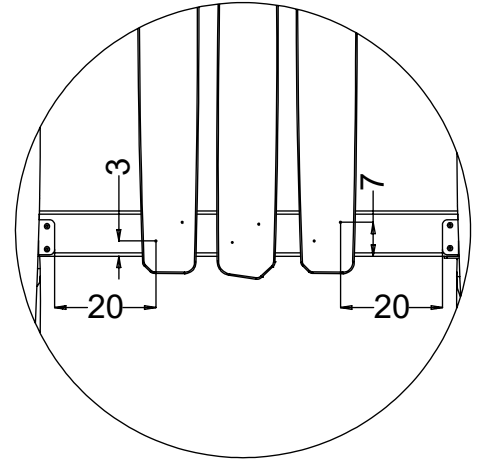
vinci play



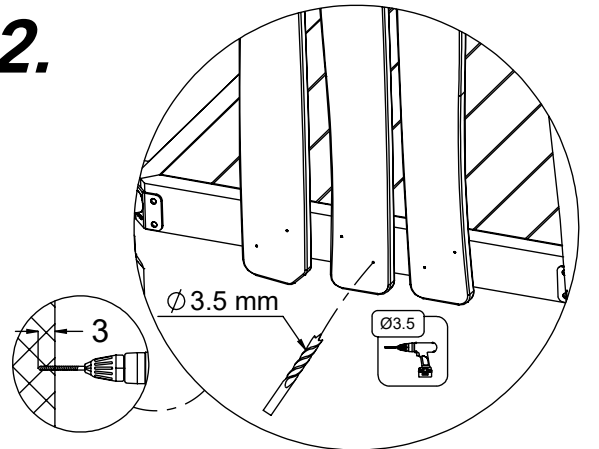
vinci
play



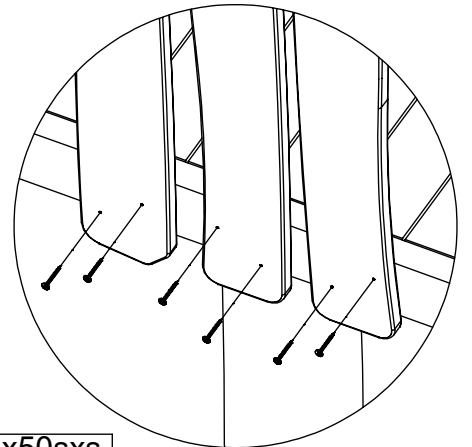
1.



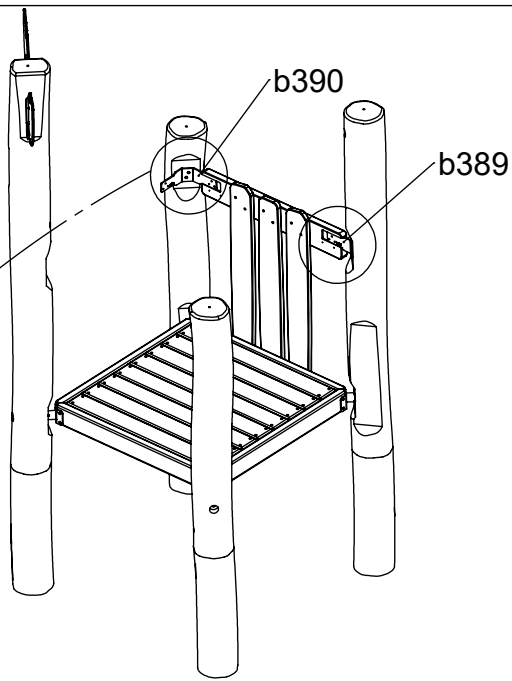
2.



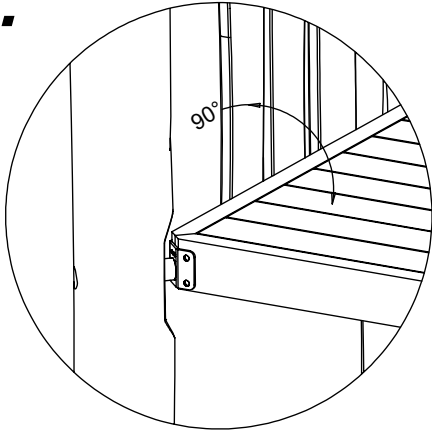
3.



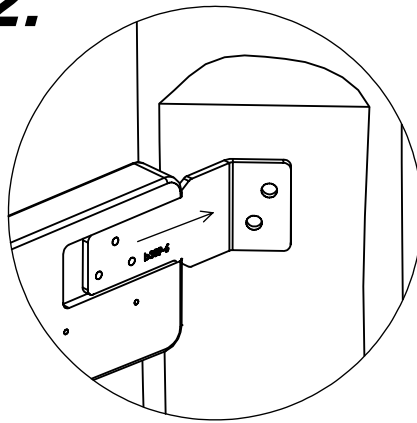
6x 5x50sxs



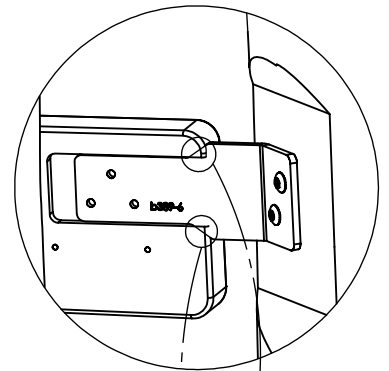
1.



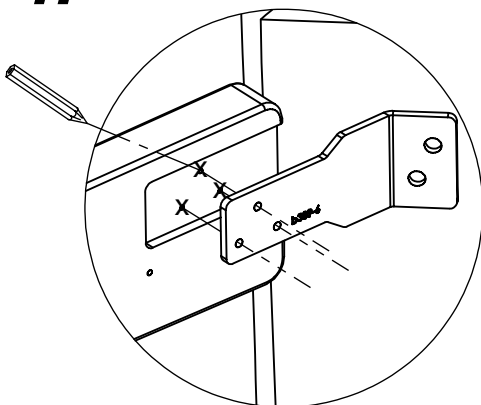
2.



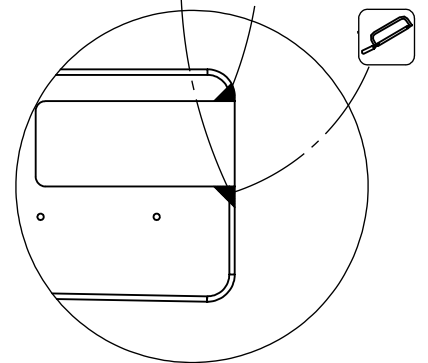
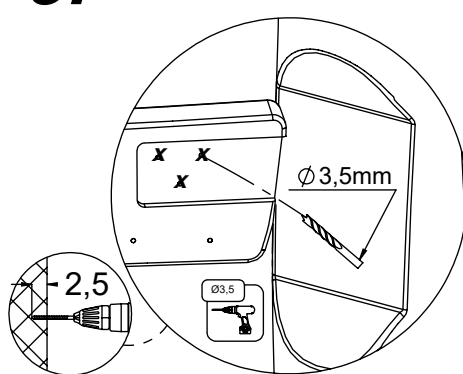
3.



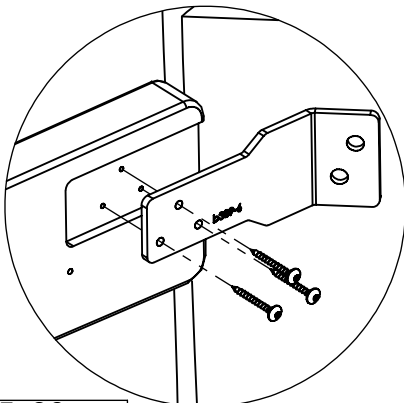
4.



5.

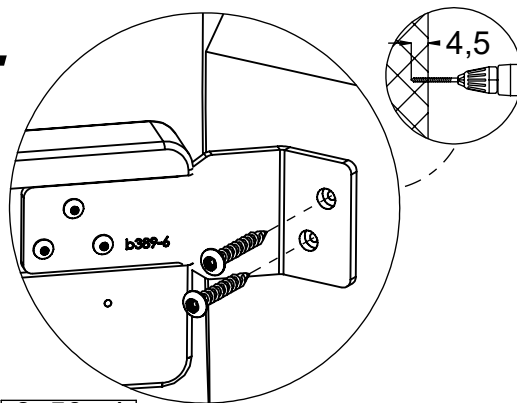


6.



6x **5x30sxs**

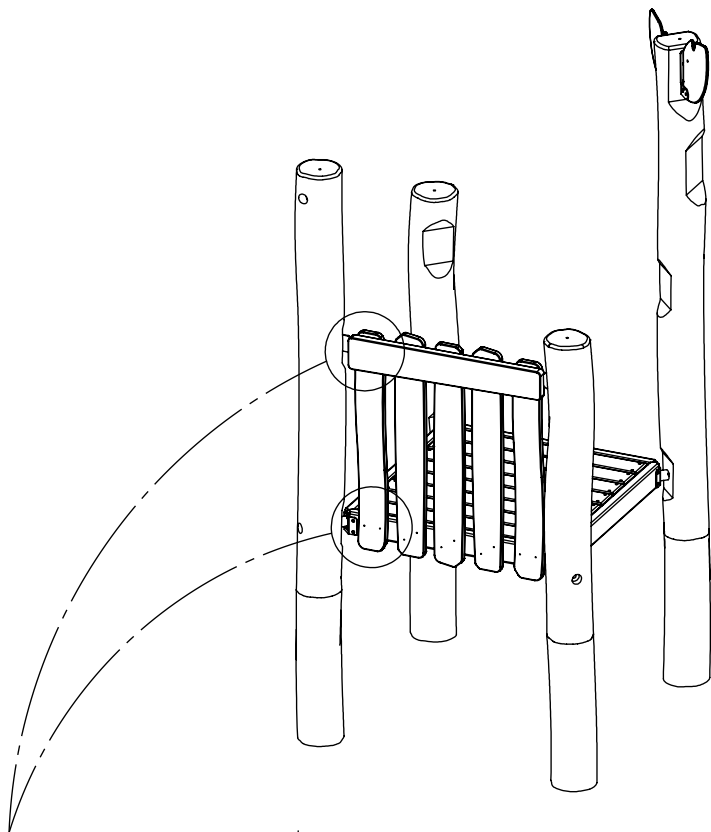
7.



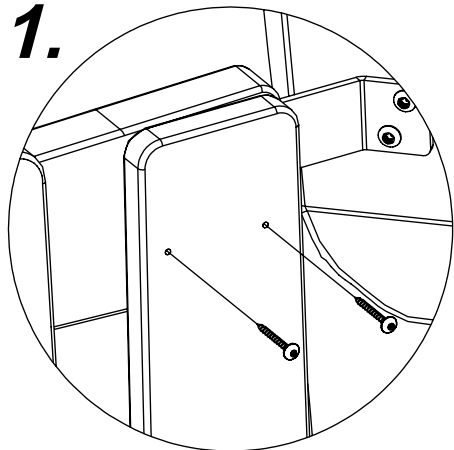
4x **8x50sxi**

[cm]

vinci
play

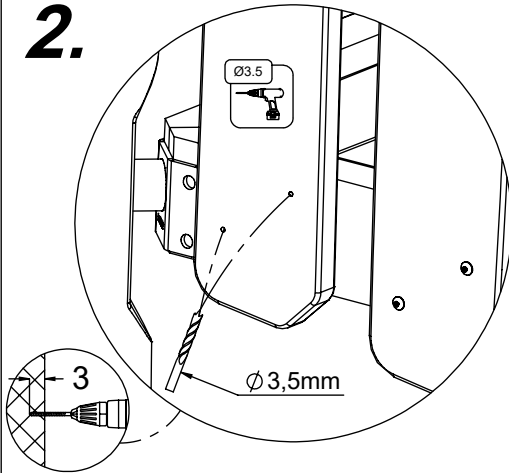


1.

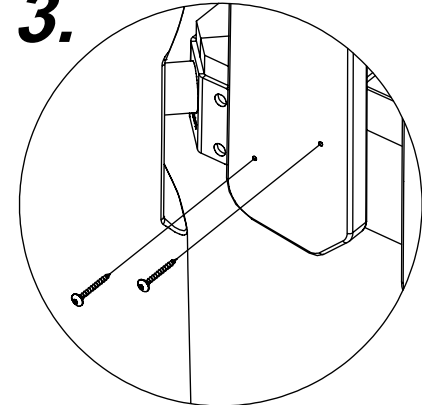


4x **5x50sxs**

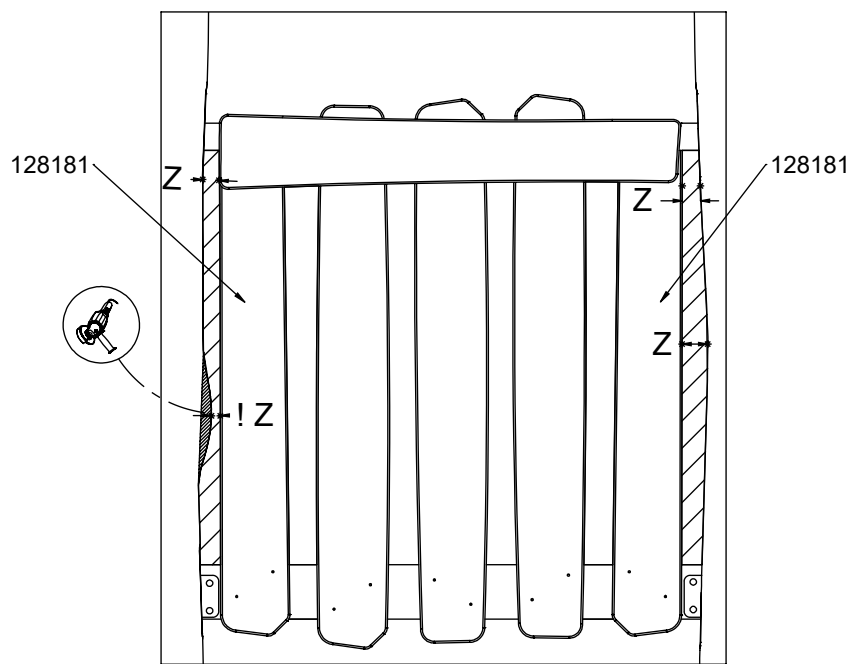
2.



3.



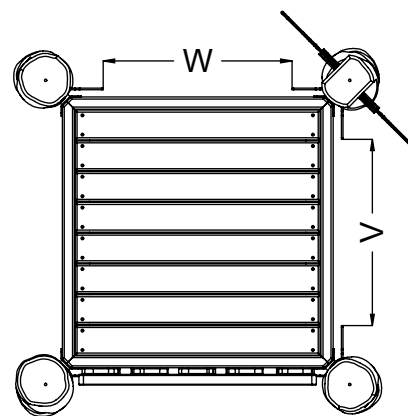
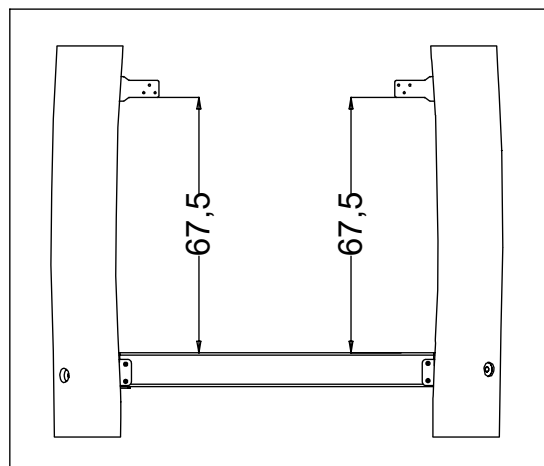
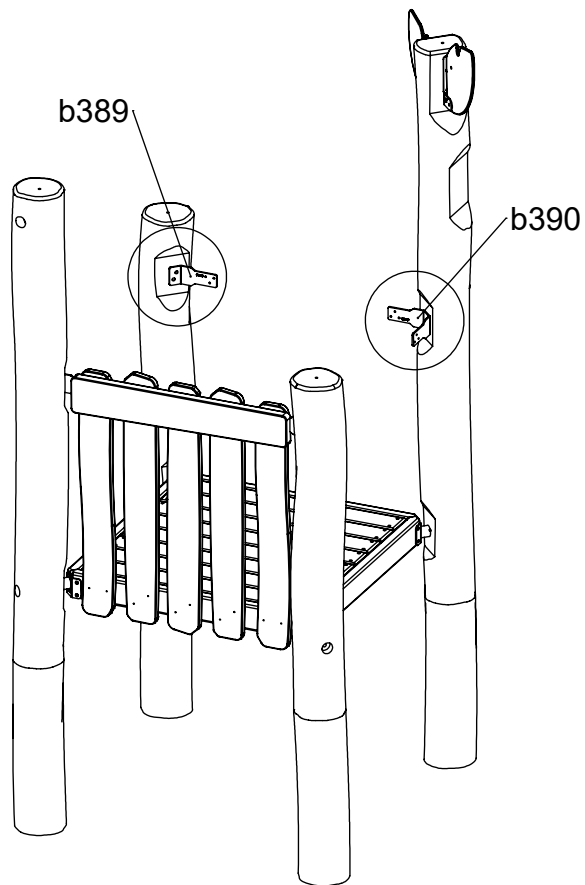
4x **5x50sxs**



[cm]

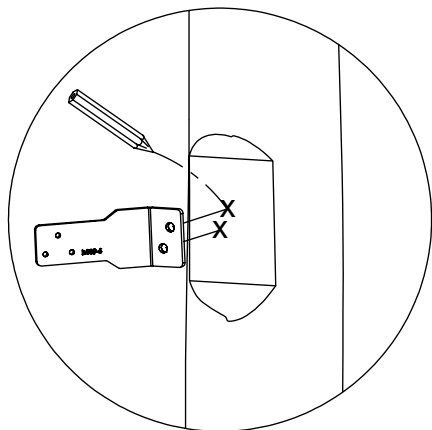
! **30mm < Z < 85mm**

vinci
play

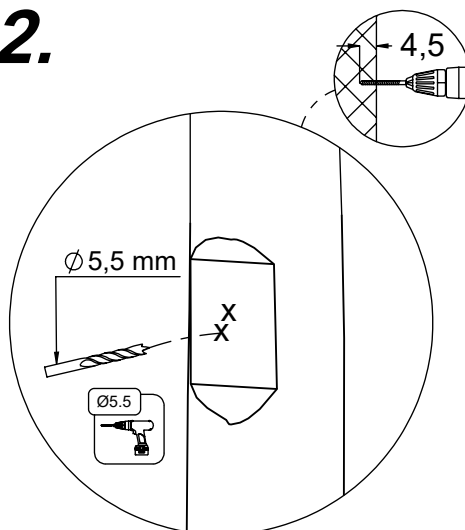


$W=V\approx 62$

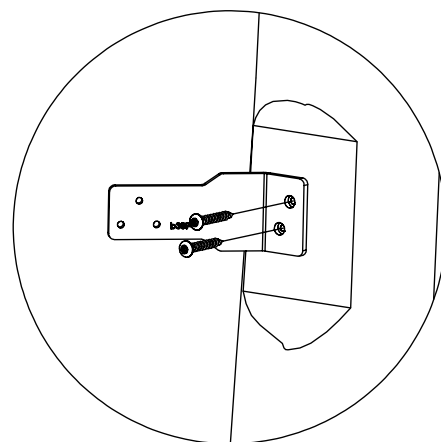
1.



2.



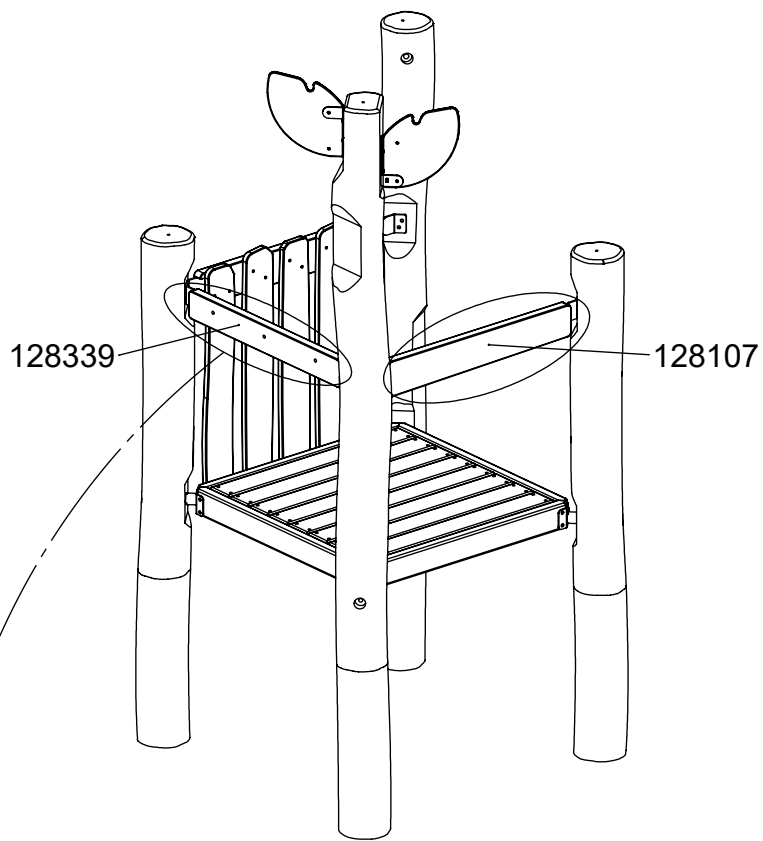
3.



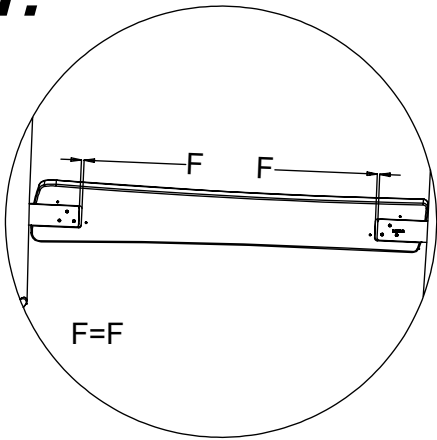
4x 8x50sxi

[cm]

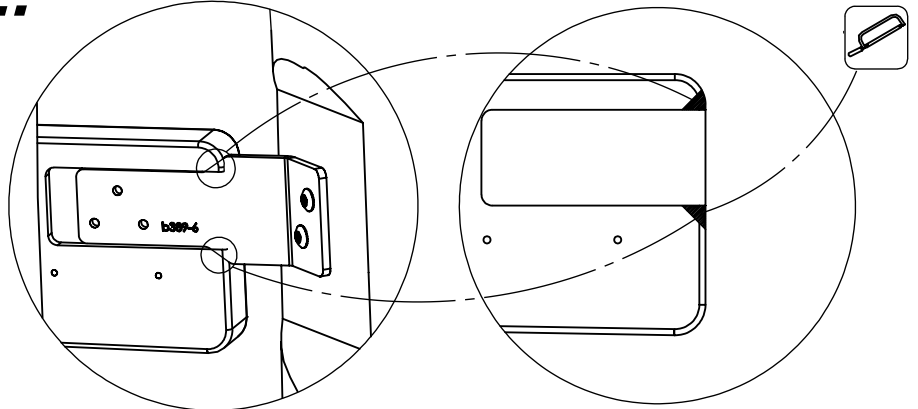
vinci
play



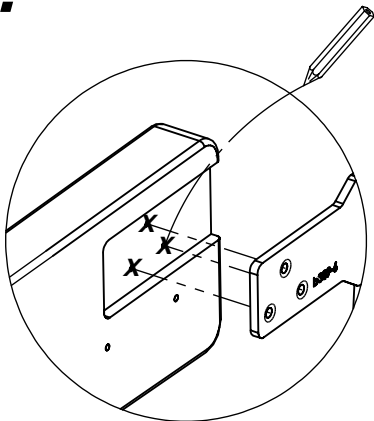
1.



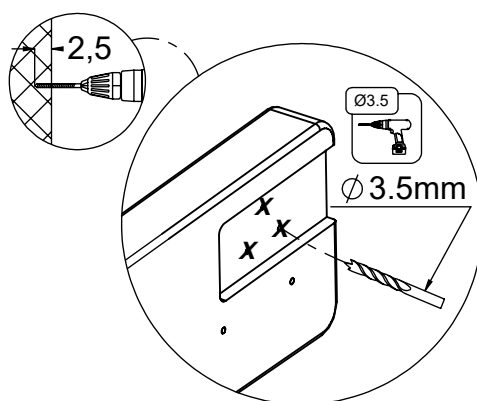
2.



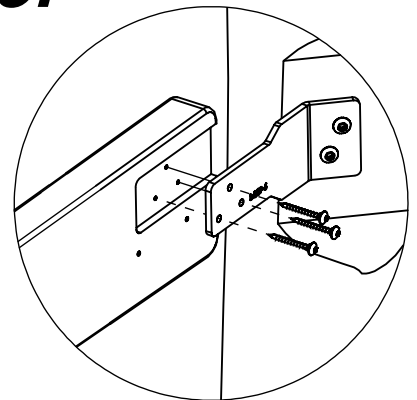
3.



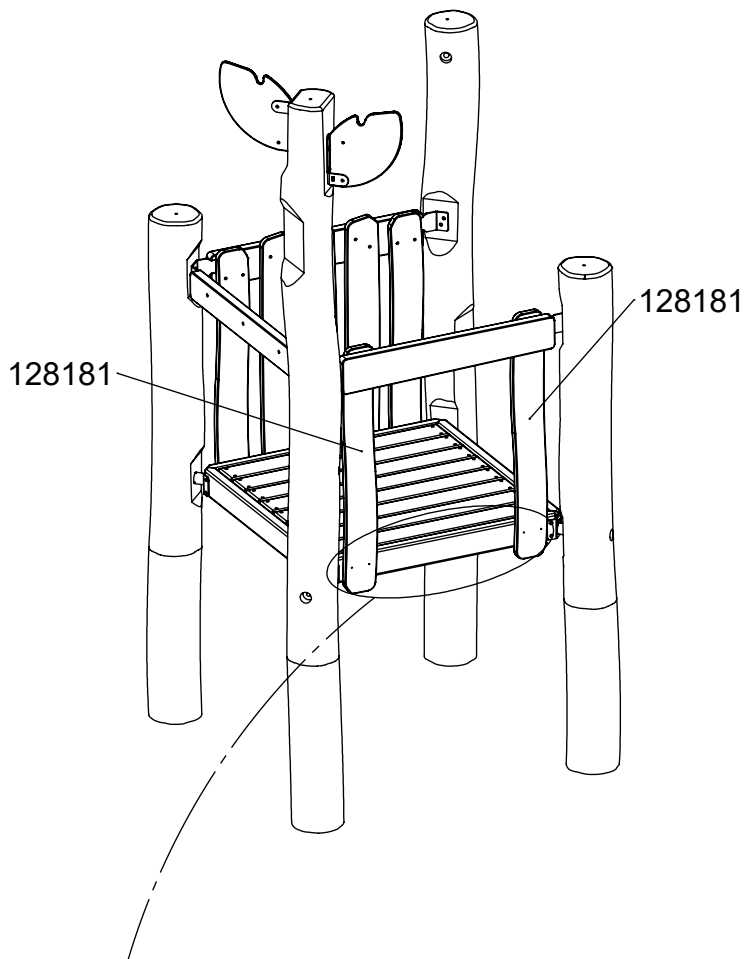
4.



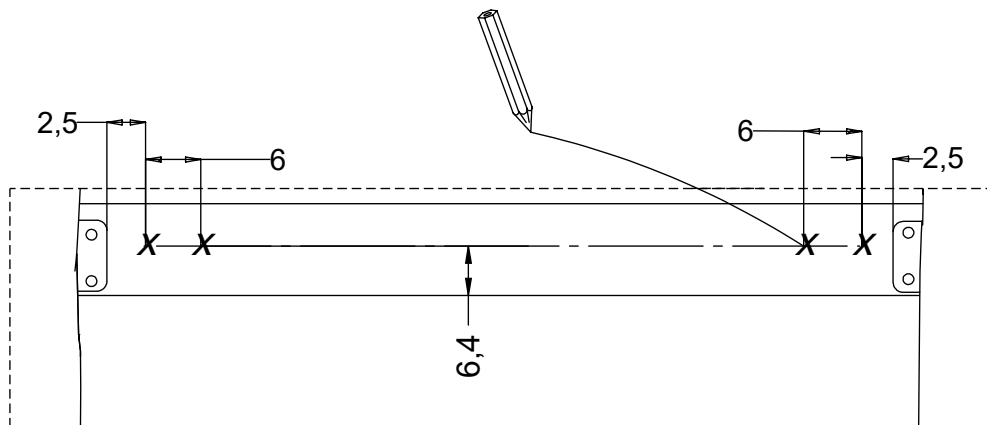
5.



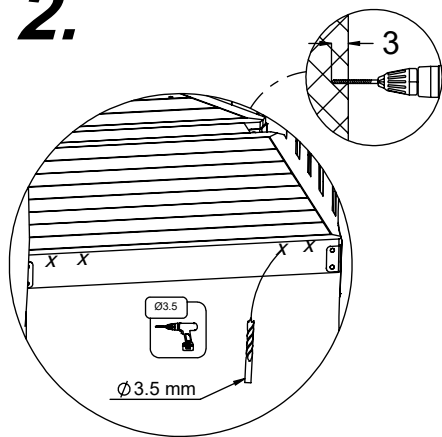
12x 5x30sxs



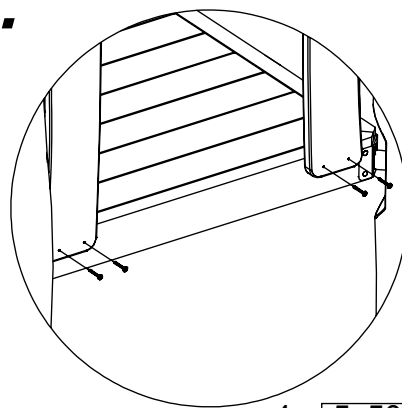
1.



2.

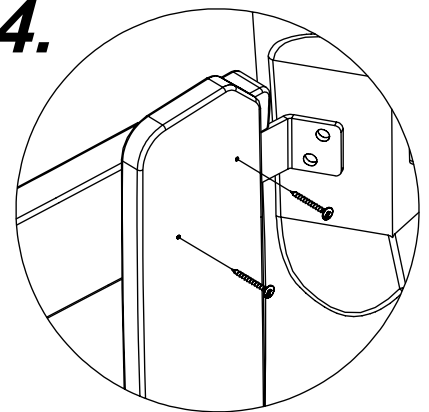


3.



4x 5x50sxs

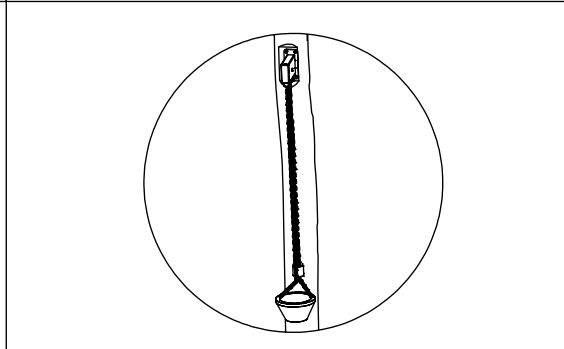
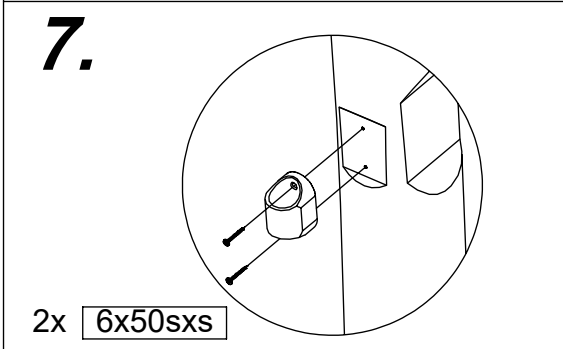
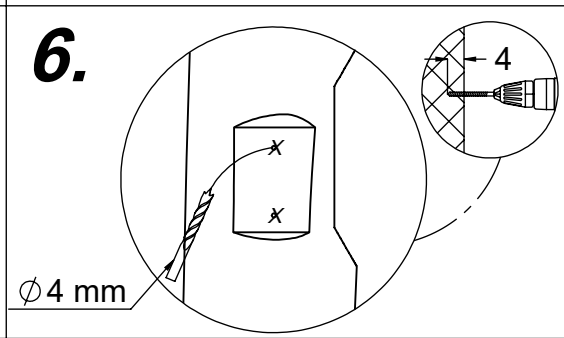
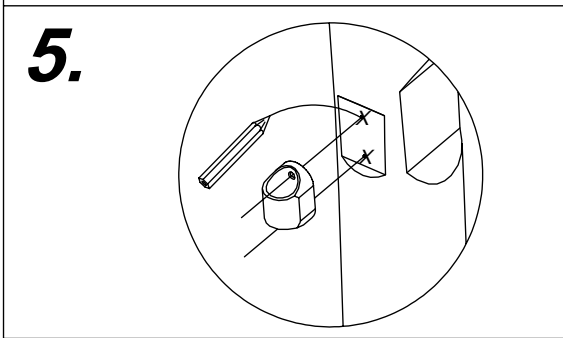
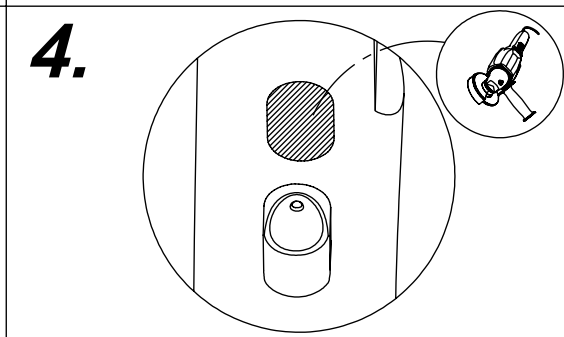
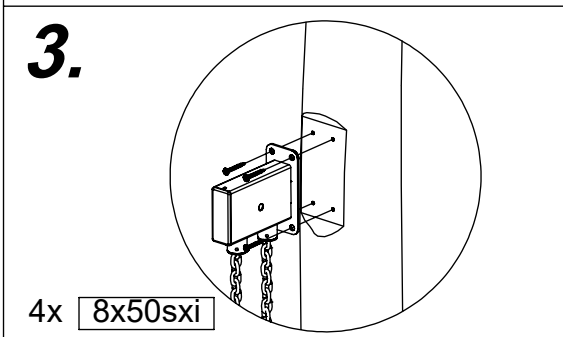
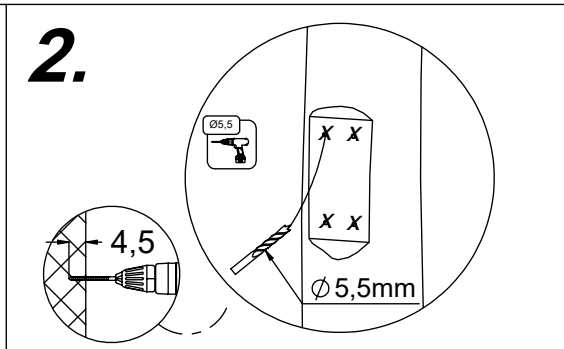
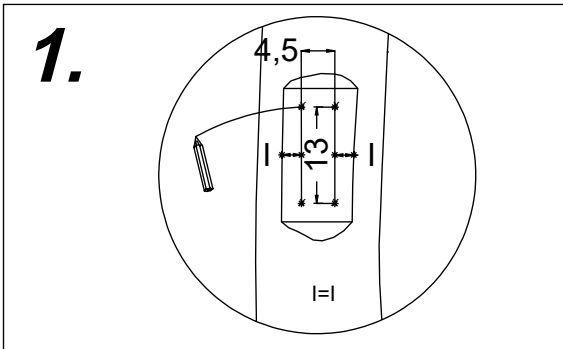
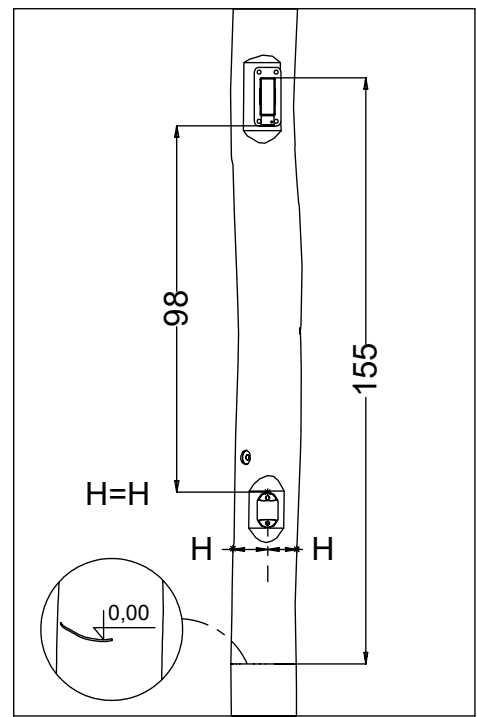
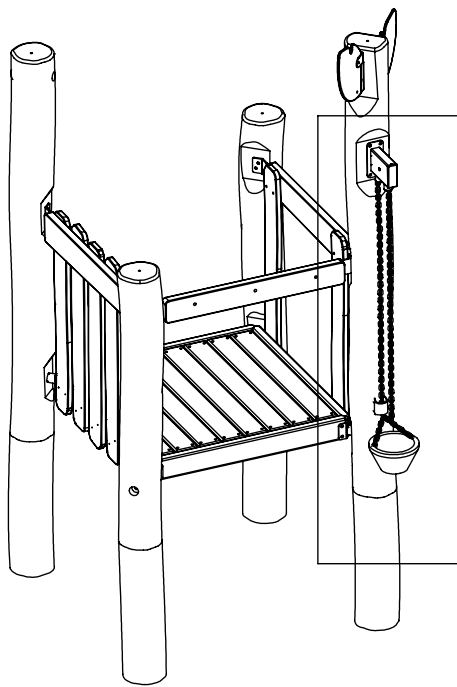
4.



4x 5x50sxs

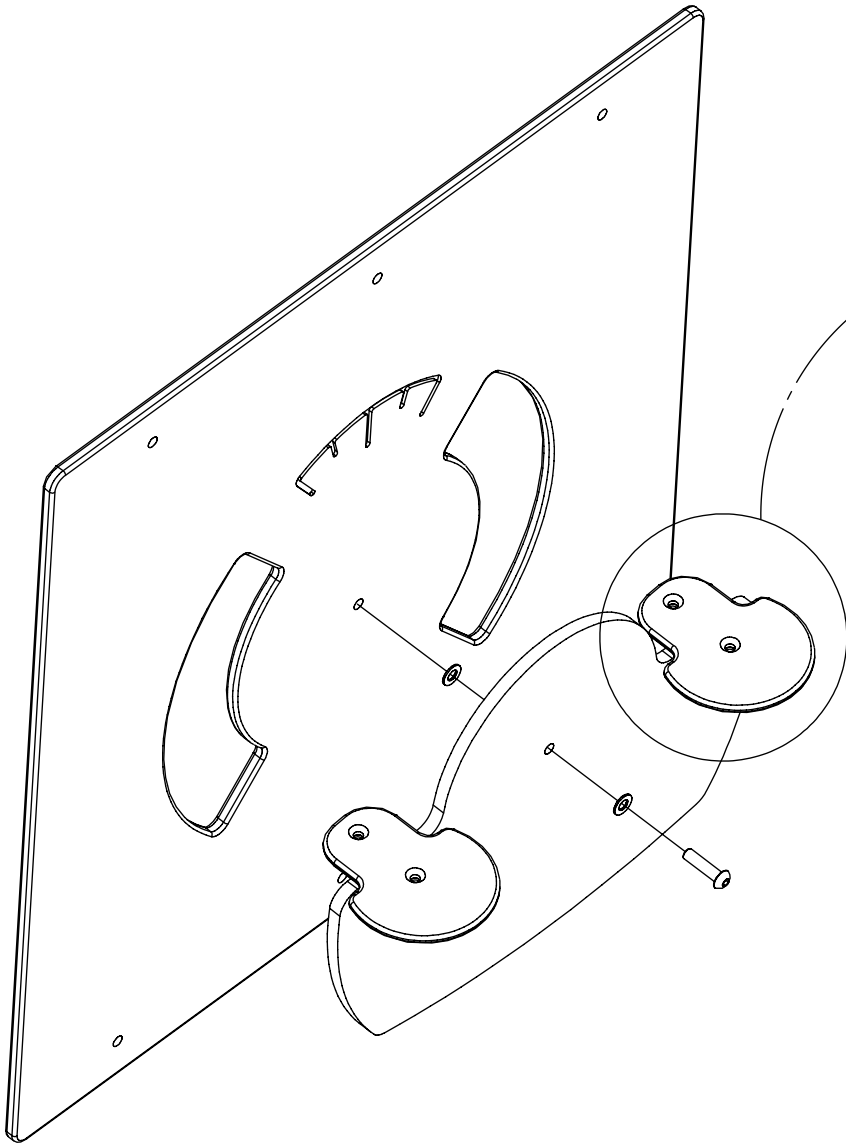
[cm]

vinci
play

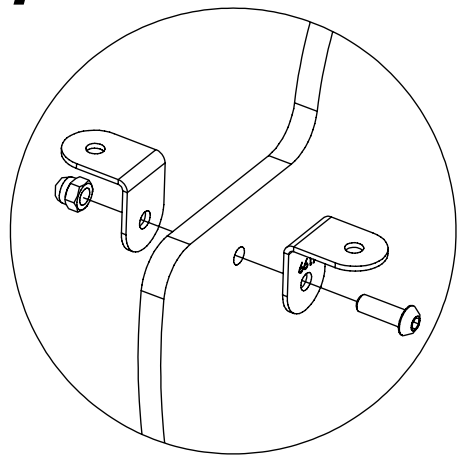


[cm]

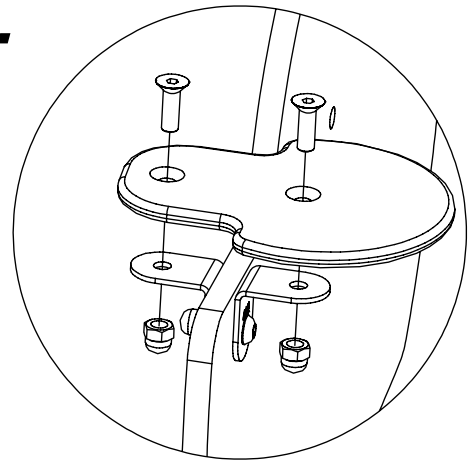
vinci
play



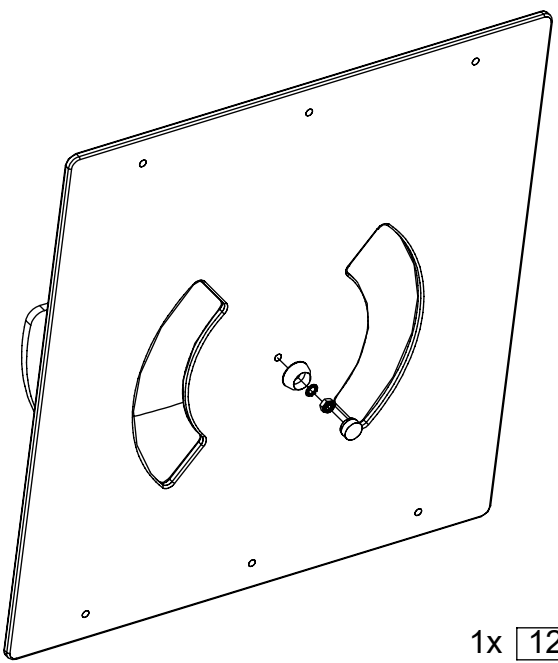
1.



2.



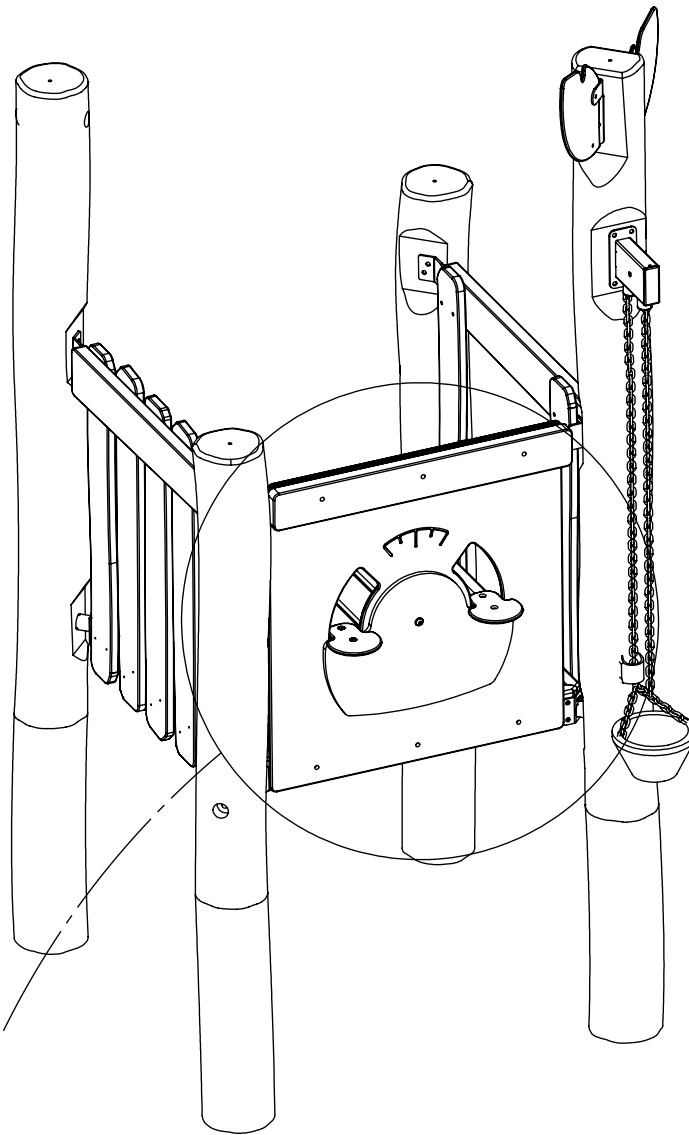
1x 12e149



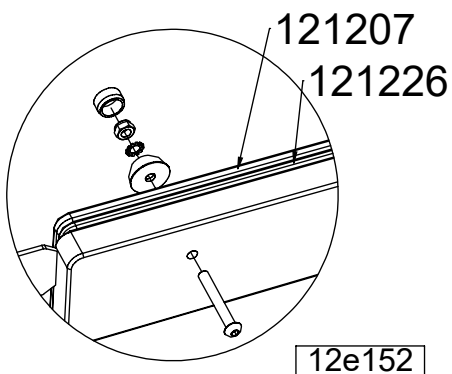
1x 12e152

[cm]

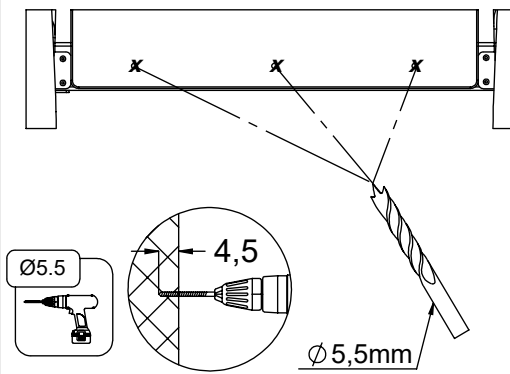
vinci
play



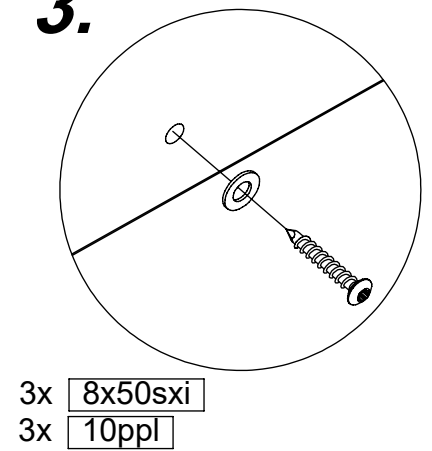
1.



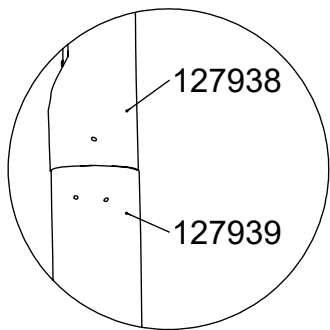
2.



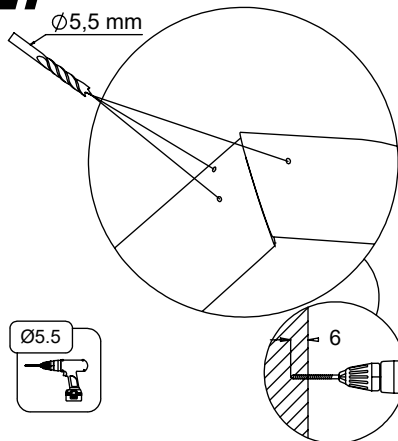
3.



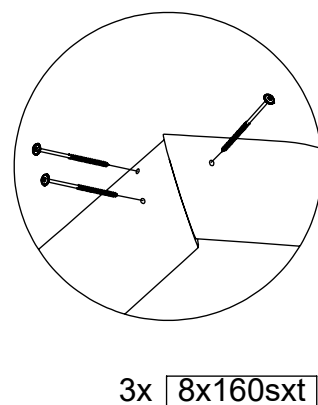
1.



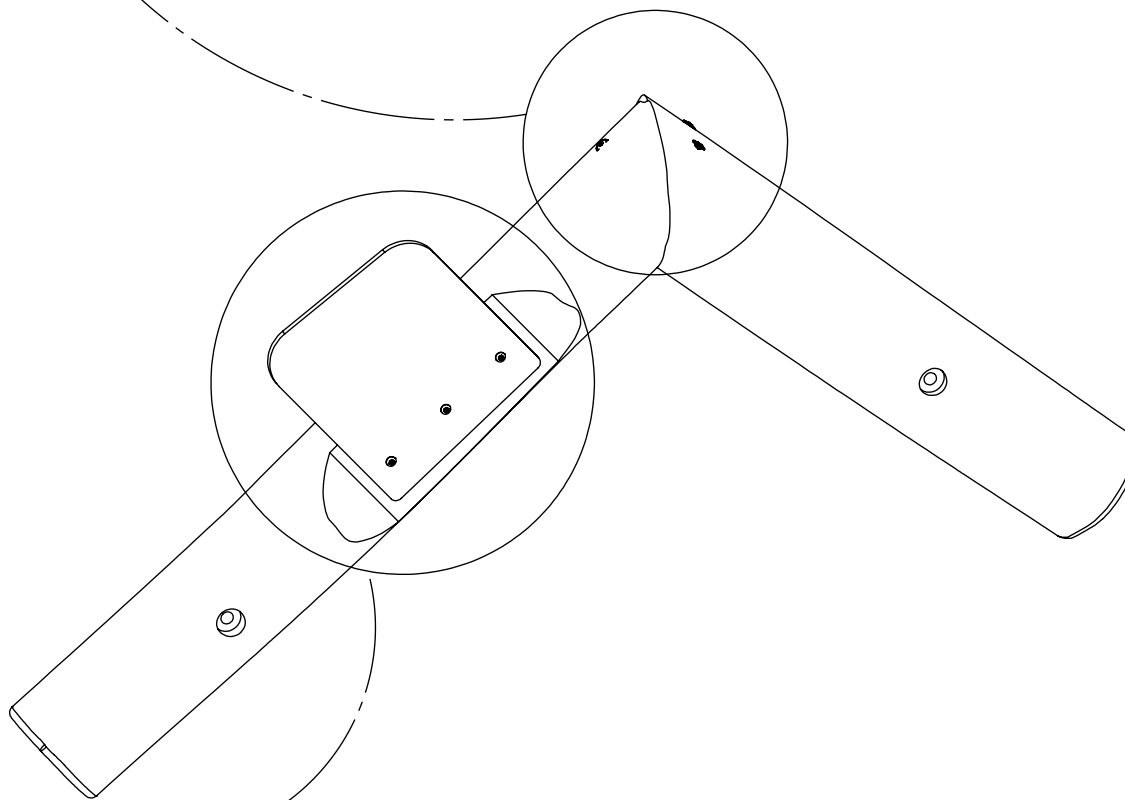
2.



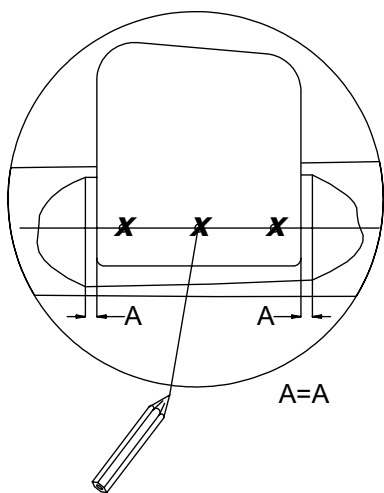
3.



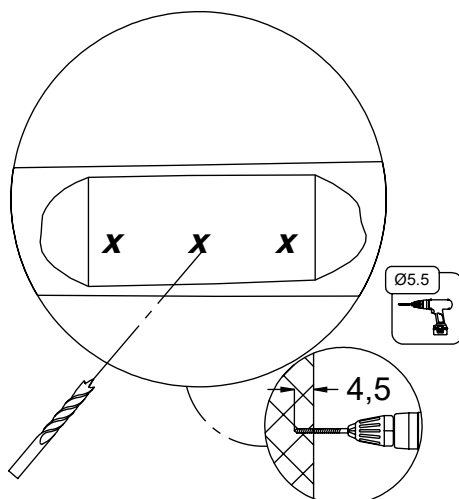
3x 8x160sxt



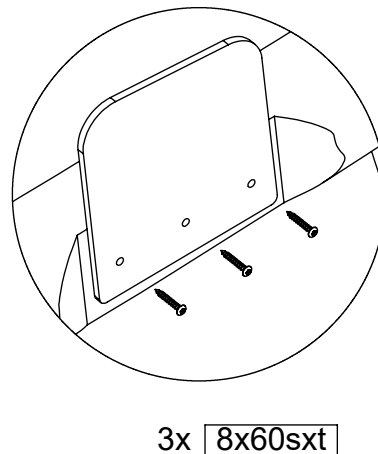
1.



2.



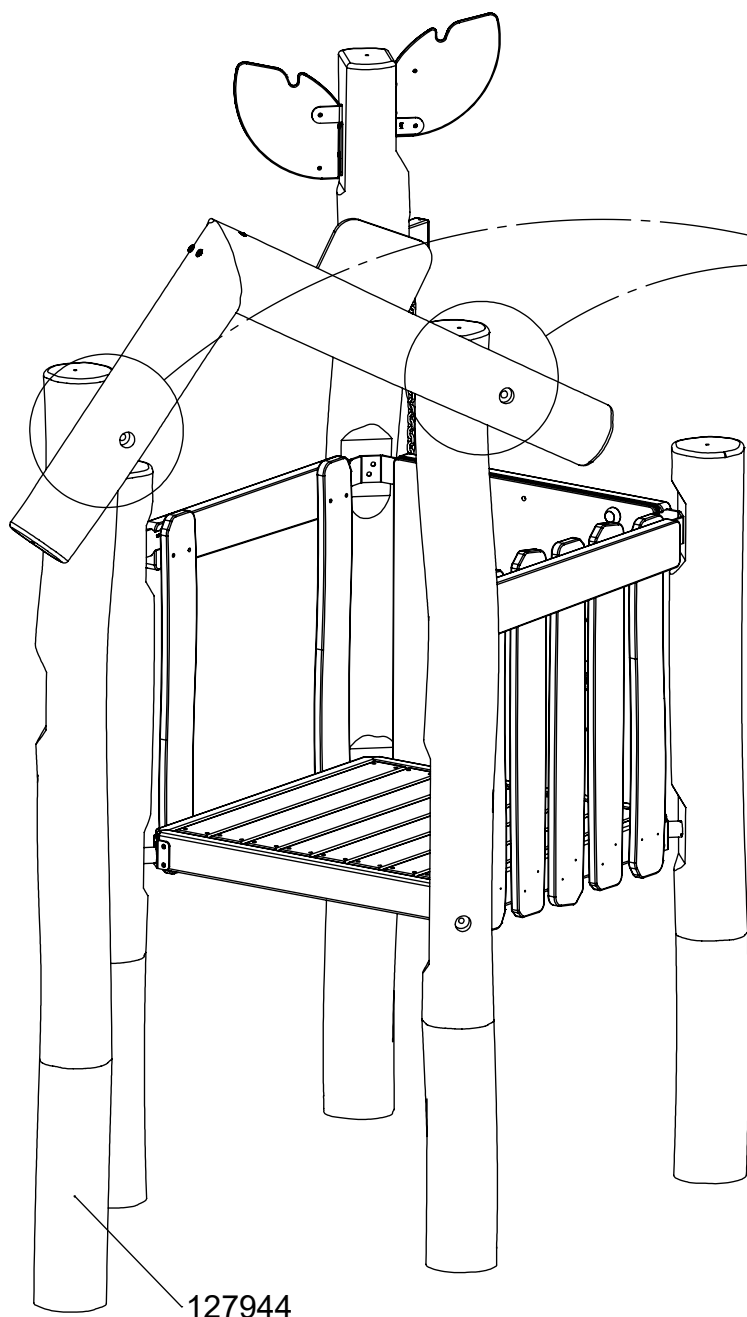
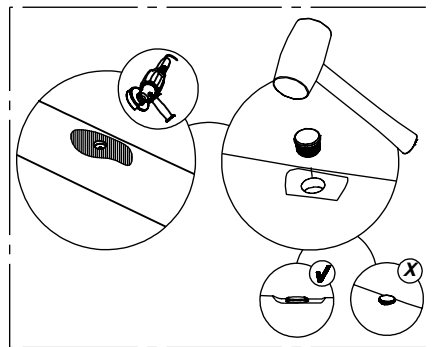
3.



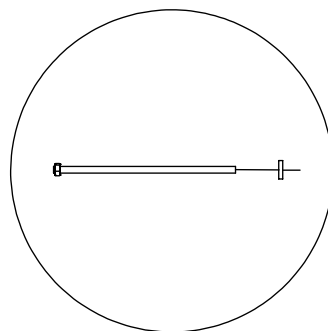
3x 8x60sxt

[cm]

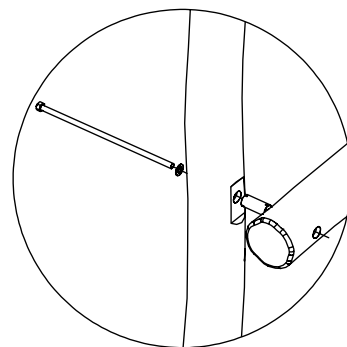
vinci
play



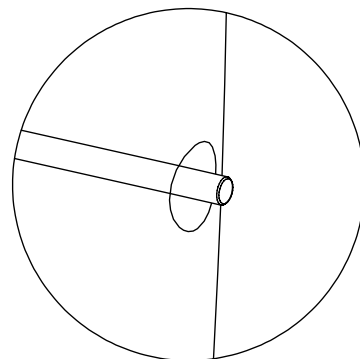
1.



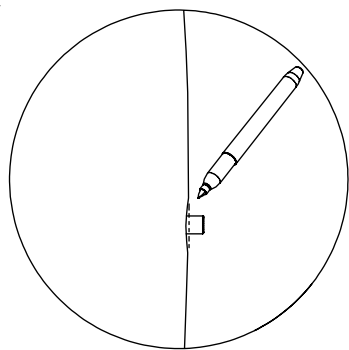
2.



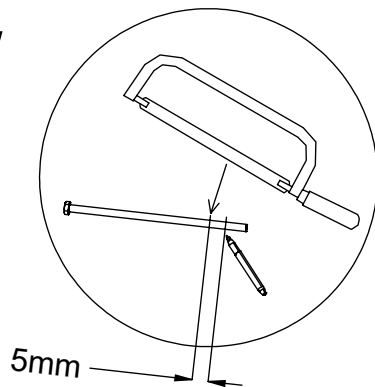
3.



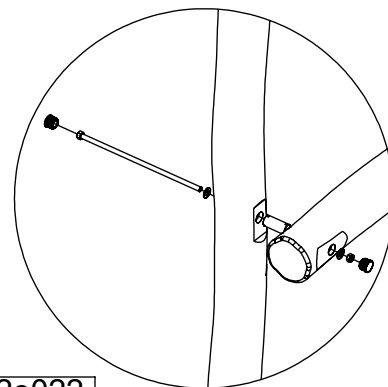
4.



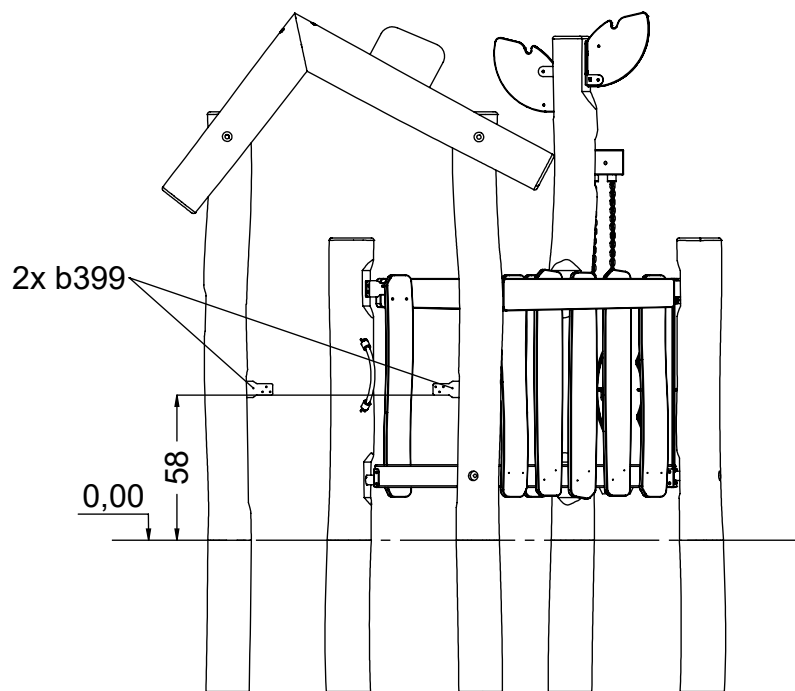
5.



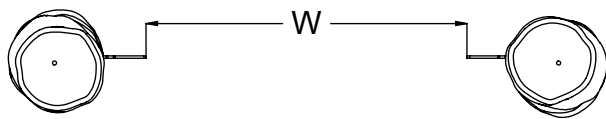
6.



1x 12e022

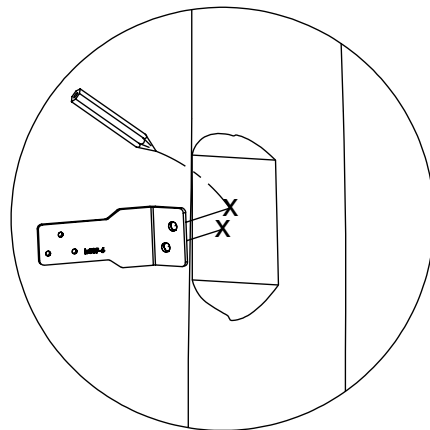


1.

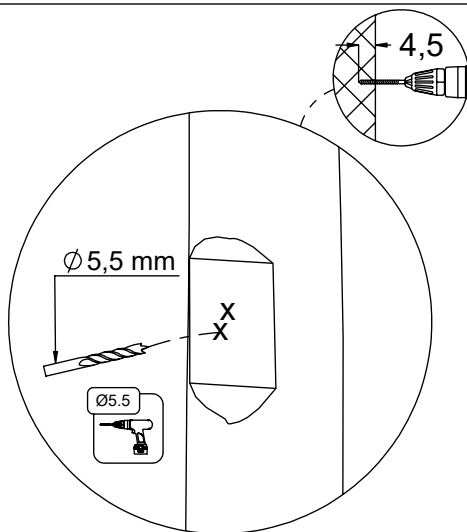


W≈62

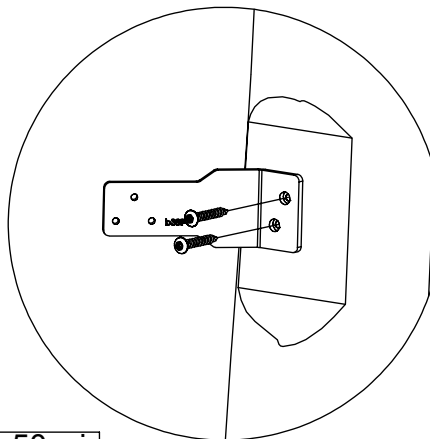
2.



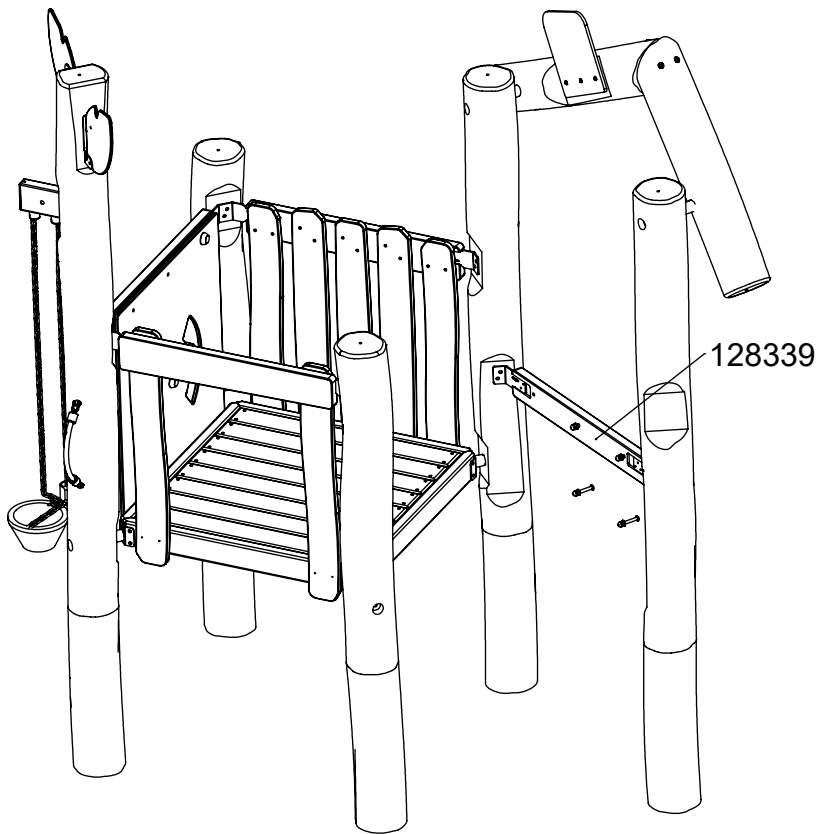
3.



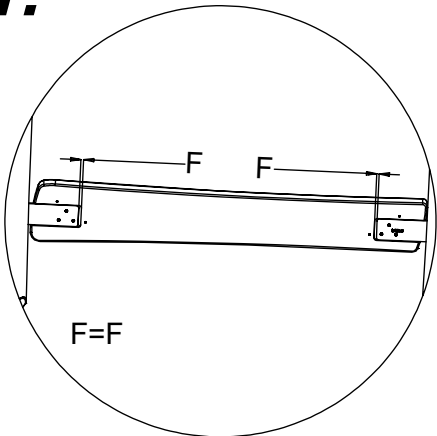
4.



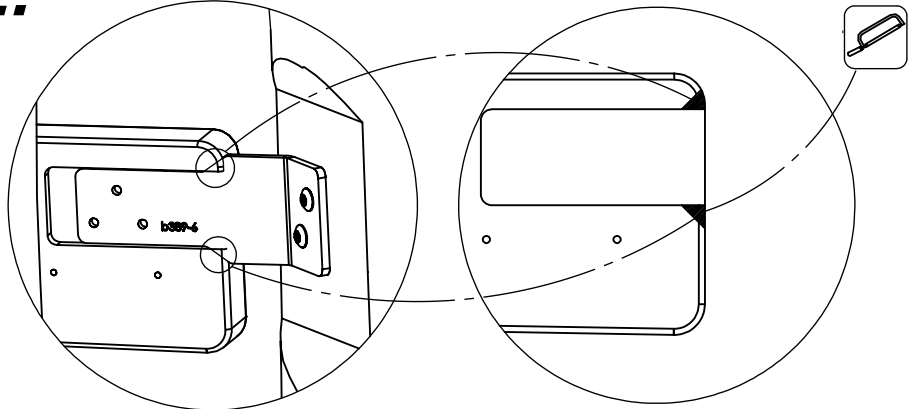
4x 8x50sxi



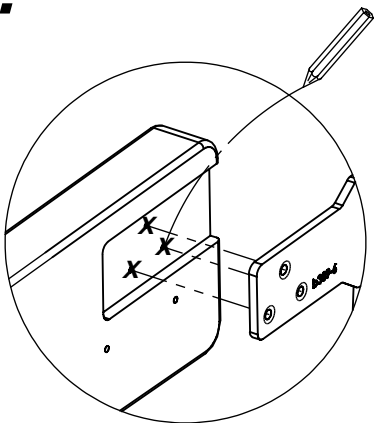
1.



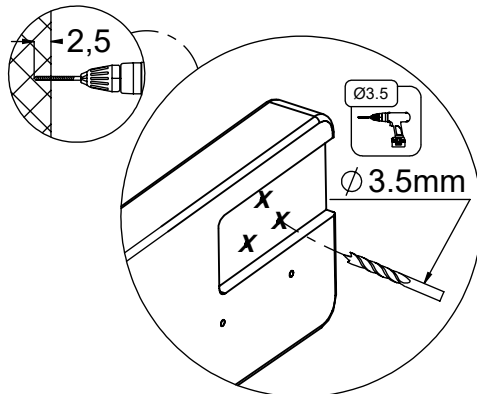
2.



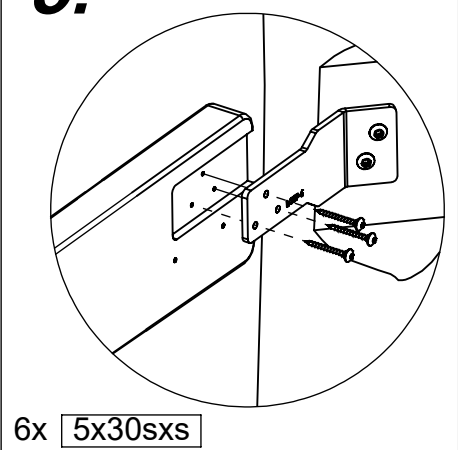
3.

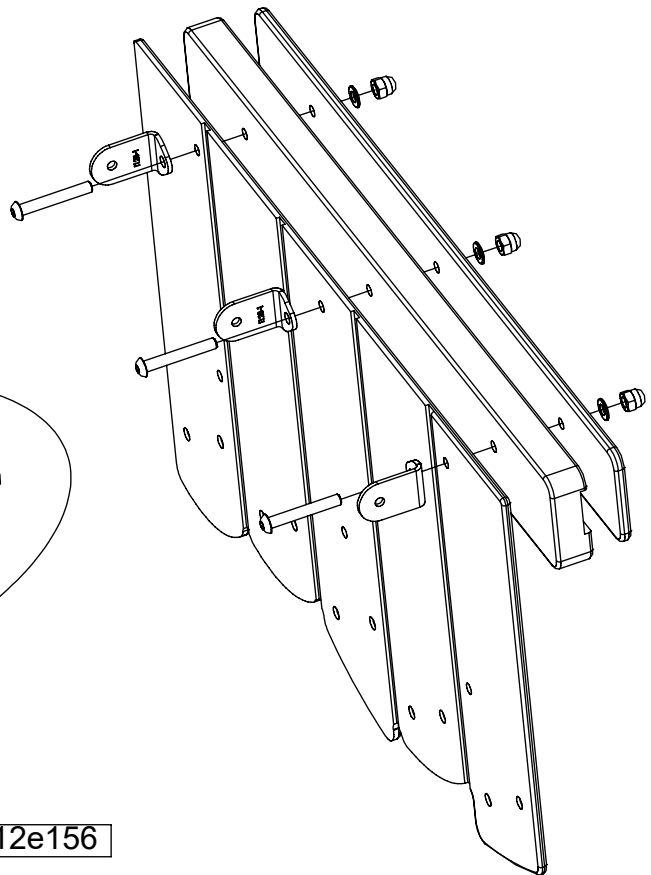
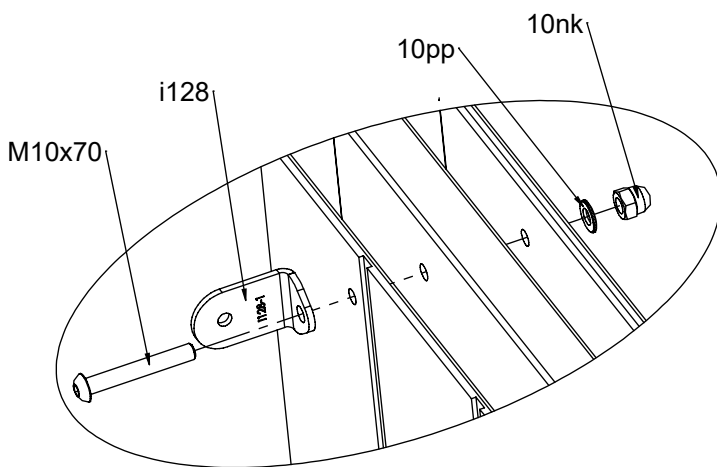
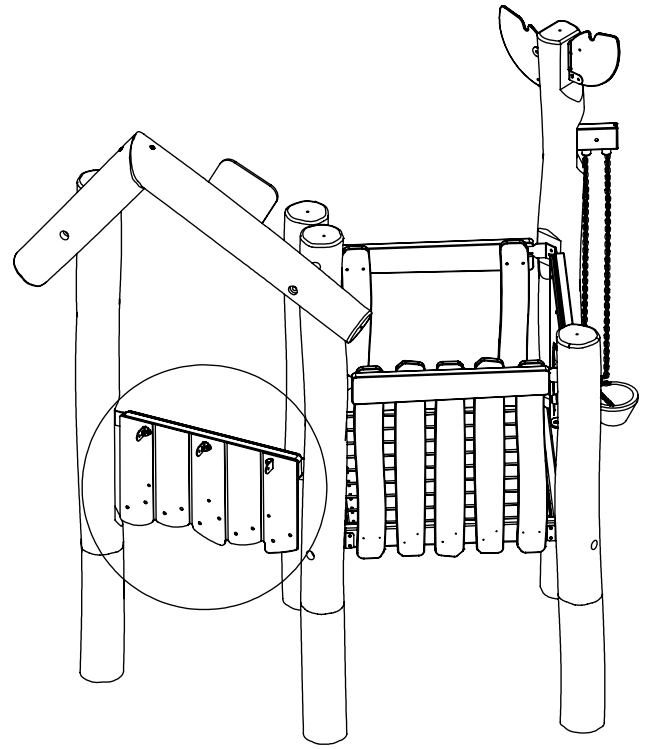
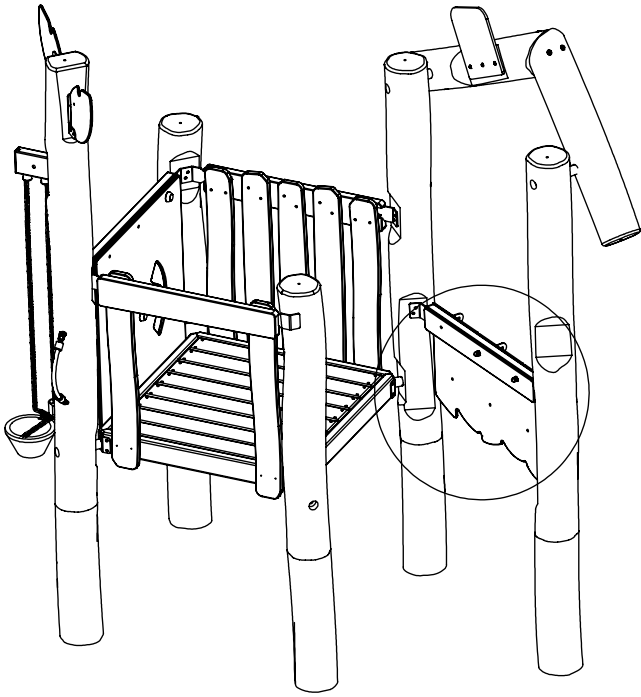


4.



5.

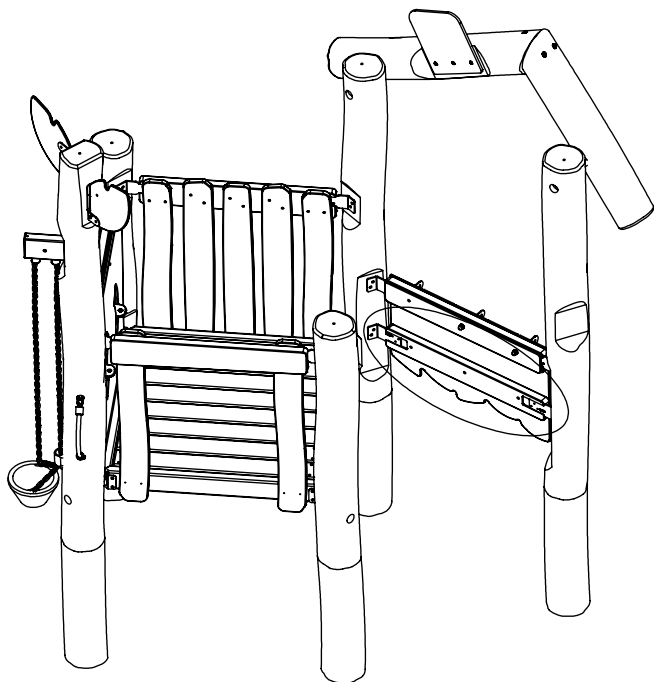




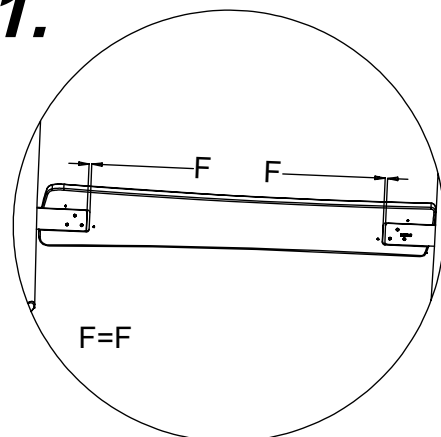
1x 12e156

[cm]

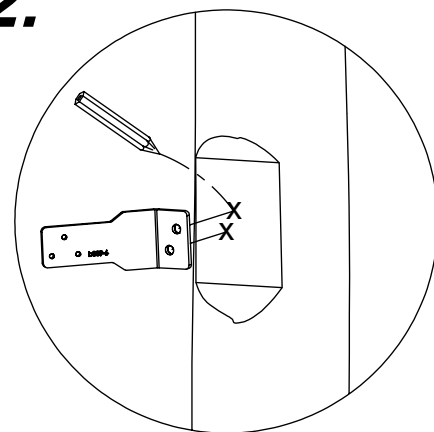
vinci
play



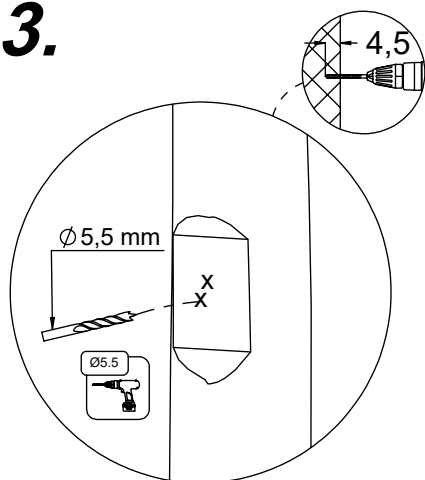
1.



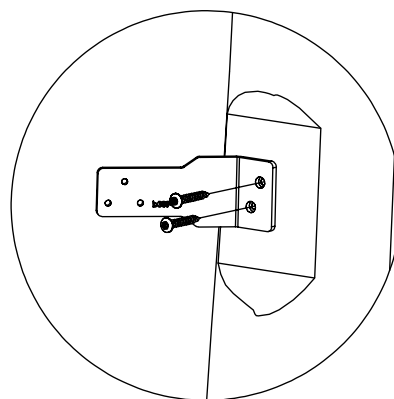
2.



3.

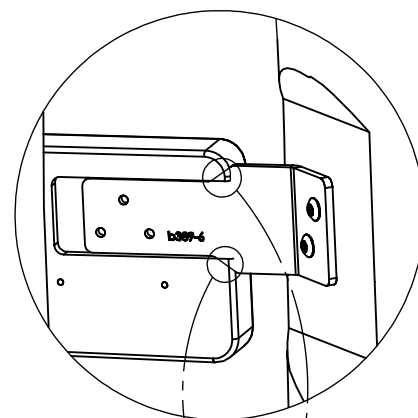


4.

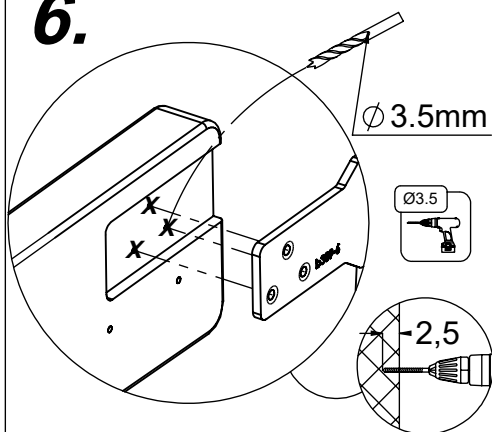


4x 8x50sxi

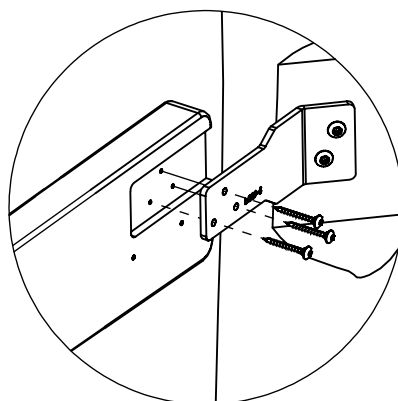
5.



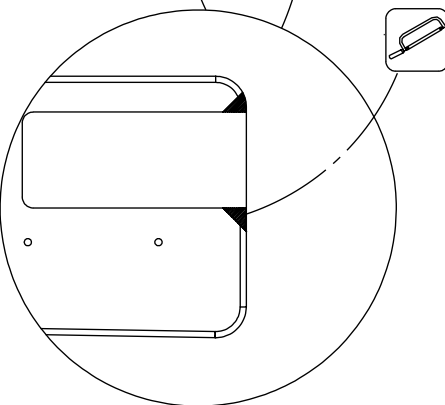
6.



7.

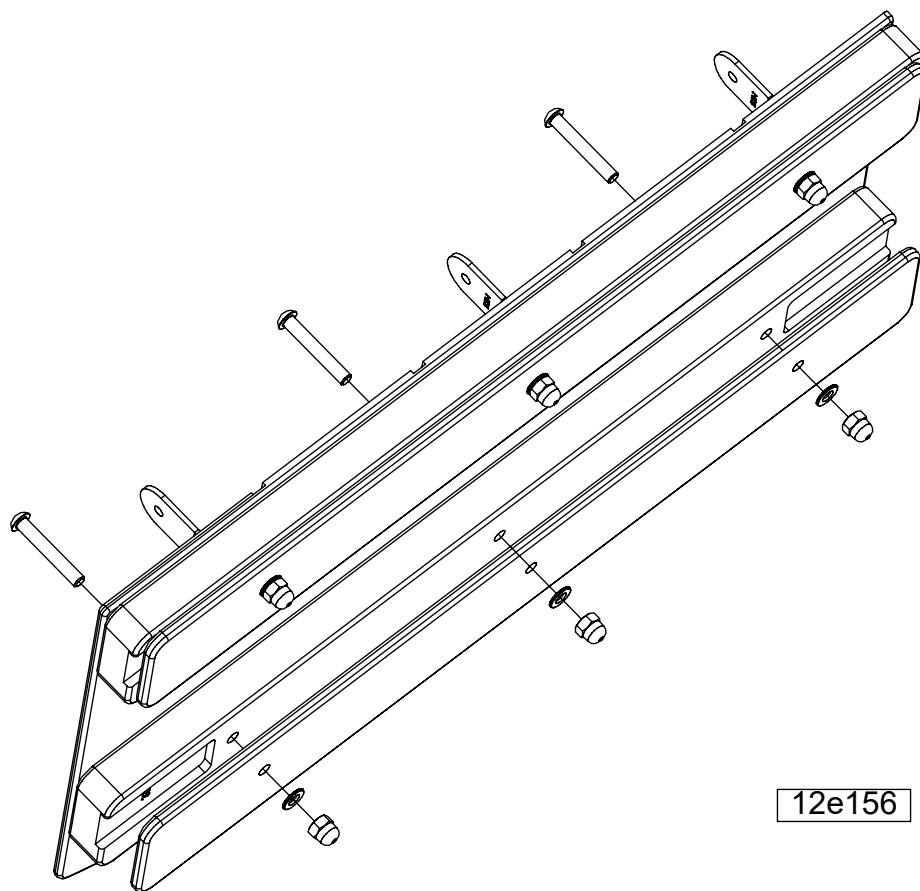
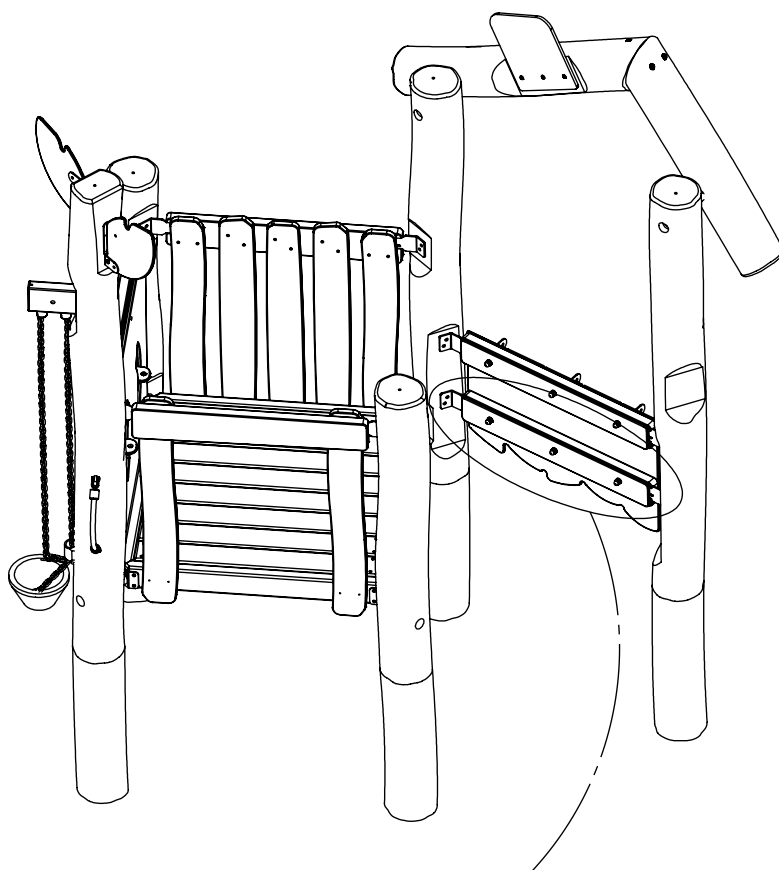


6x 5x30sxs



[cm]

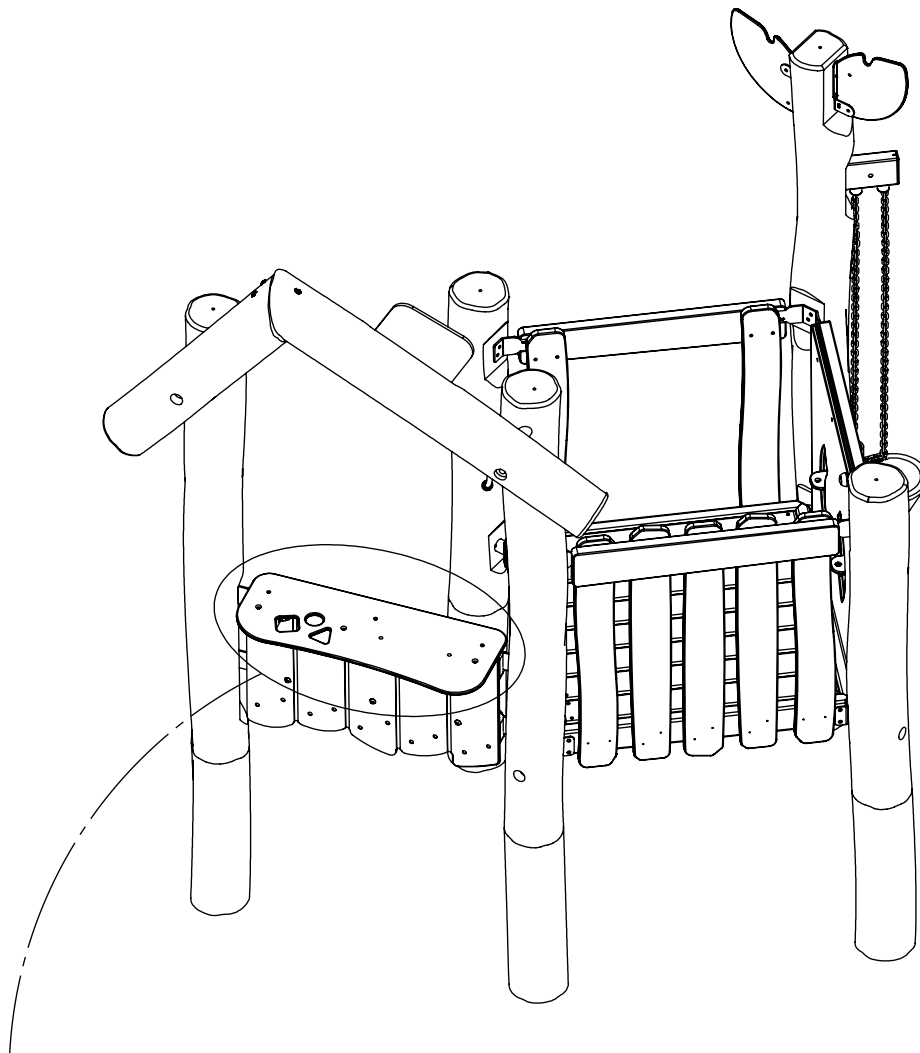
vinci
play



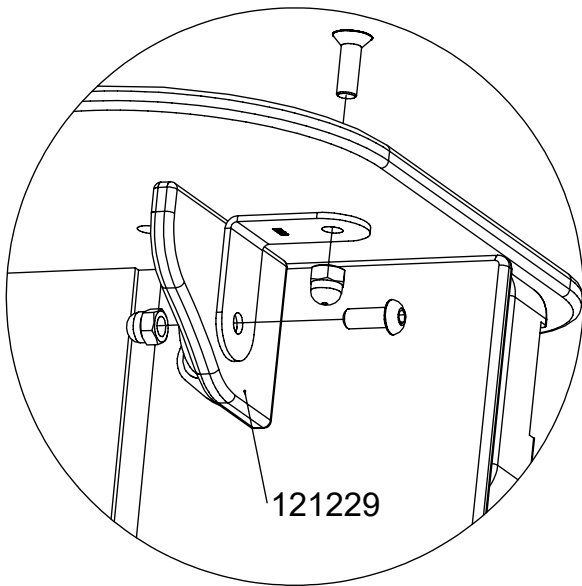
12e156

[cm]

vinci
play



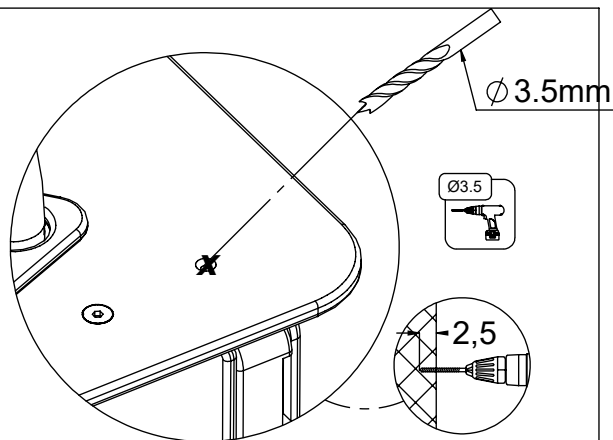
1.



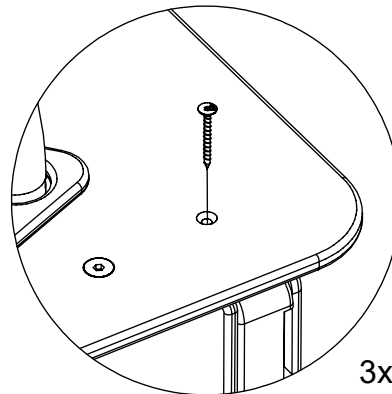
121229

1x 12e155

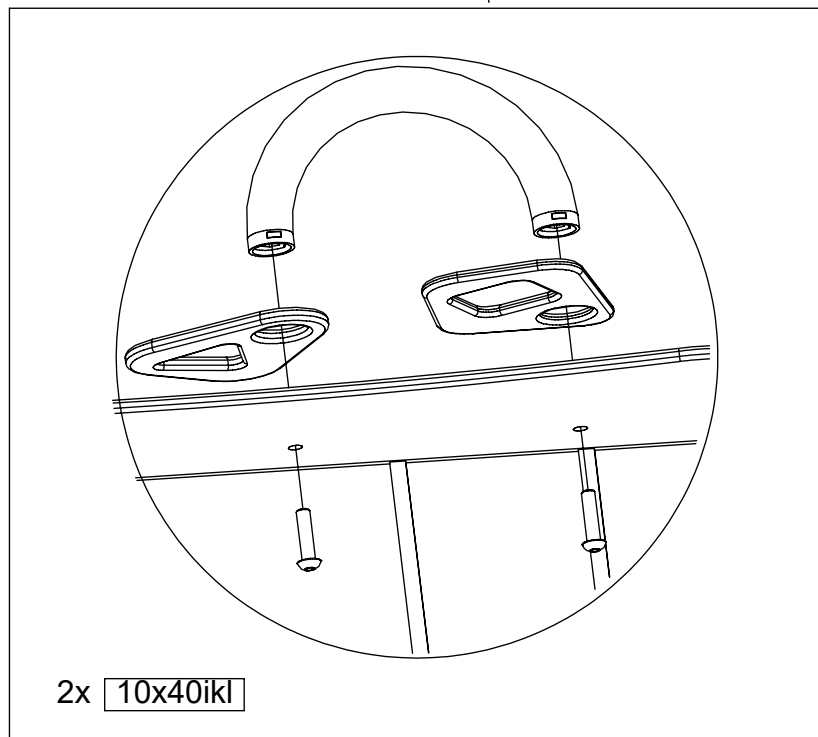
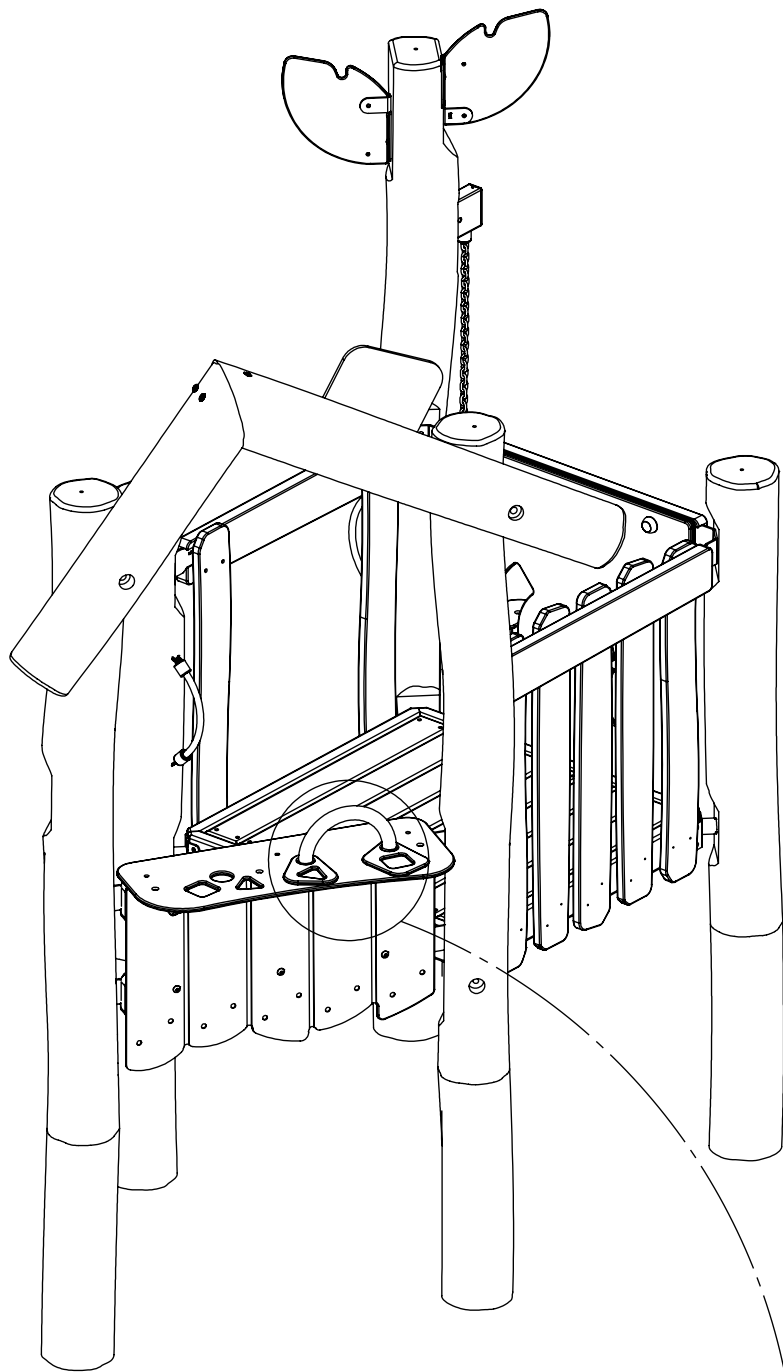
2.



3.



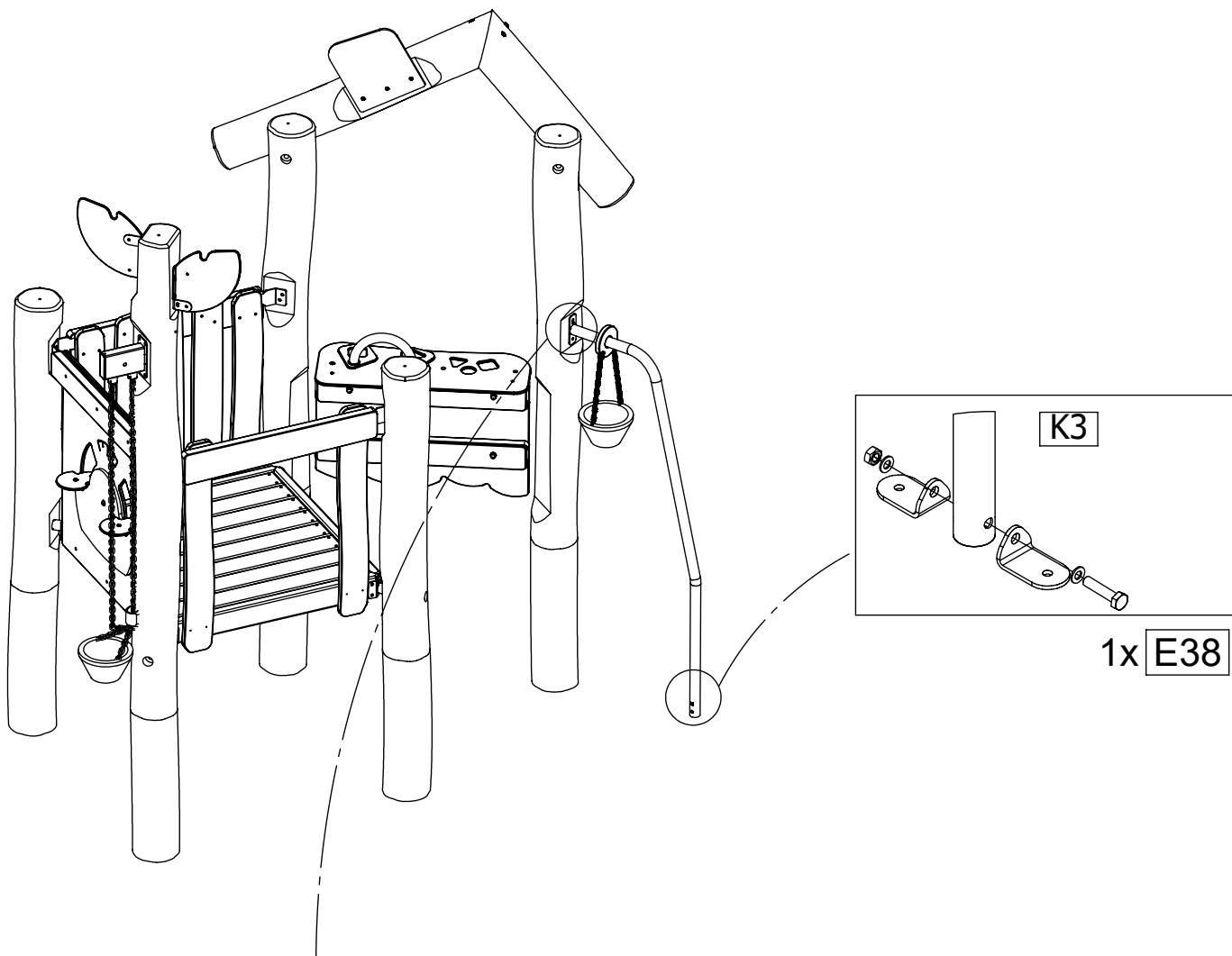
3x 5x30sxs



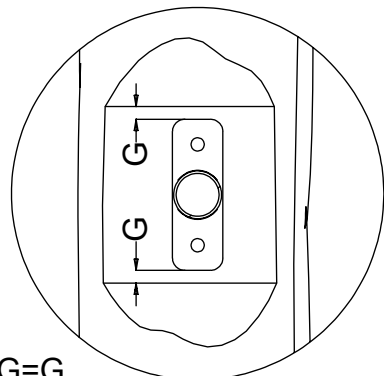
2x 10x40ikl

[cm]

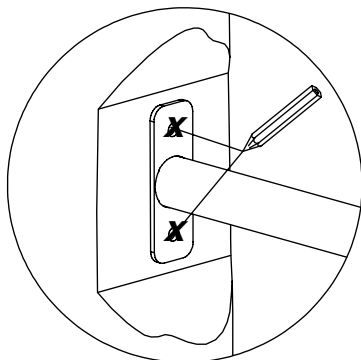
vinci
play



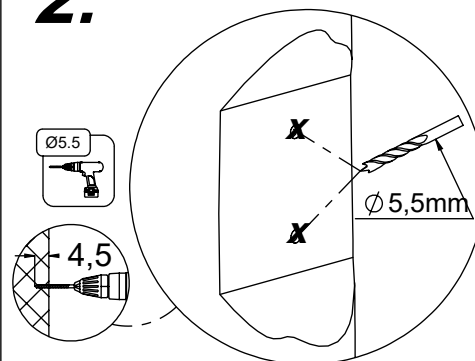
1.



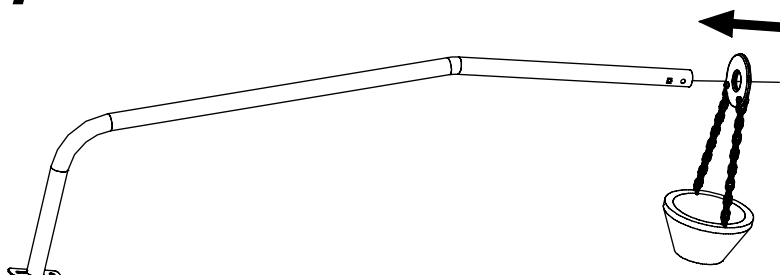
G=G



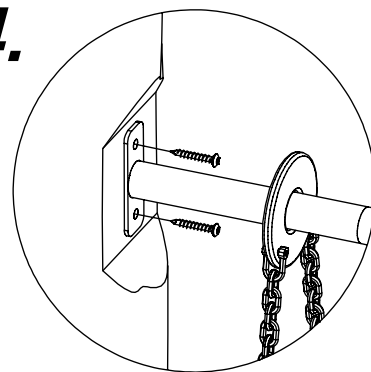
2.



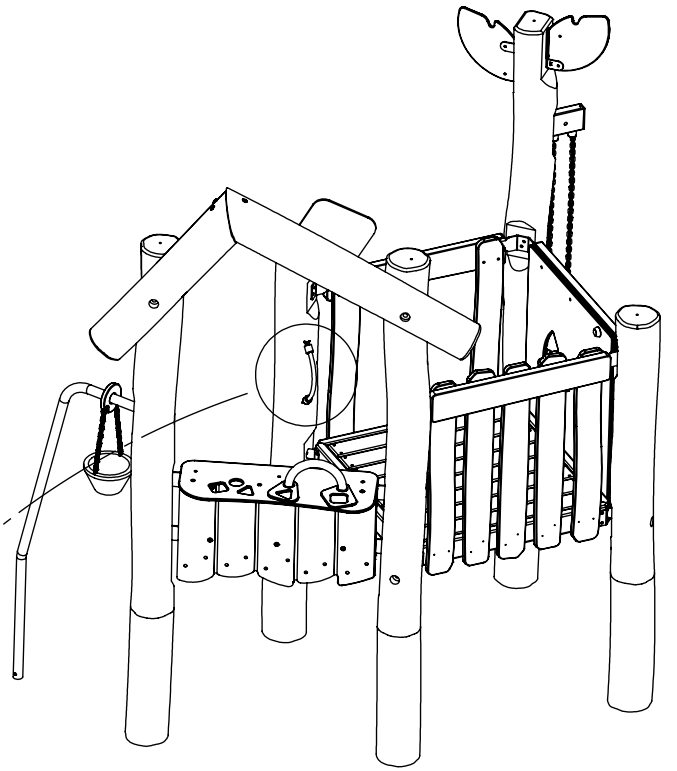
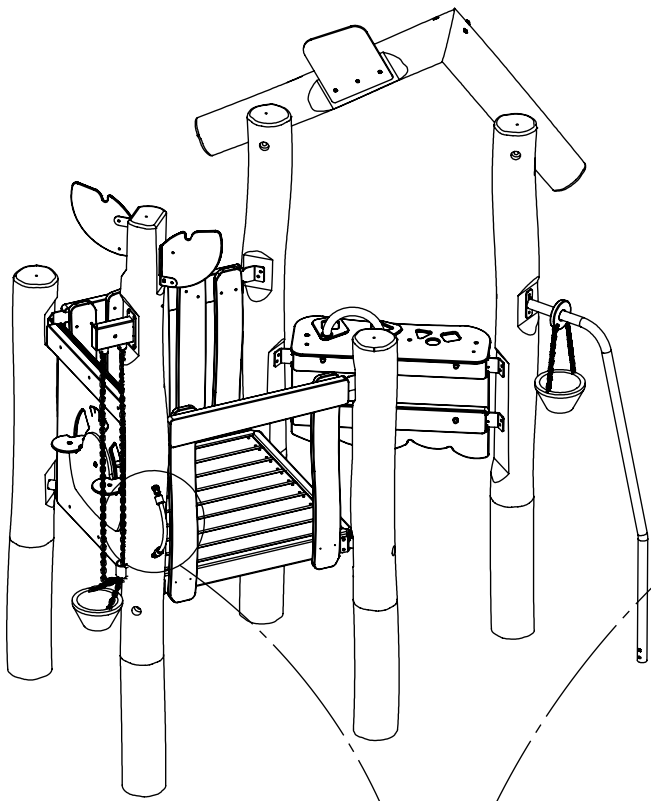
3.



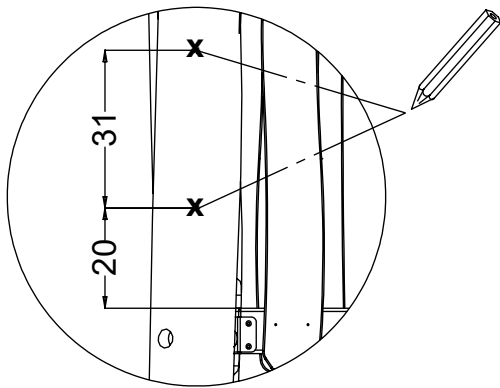
4.



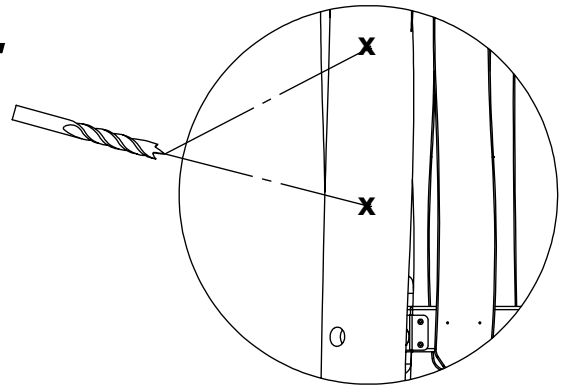
2x 8x50sxi



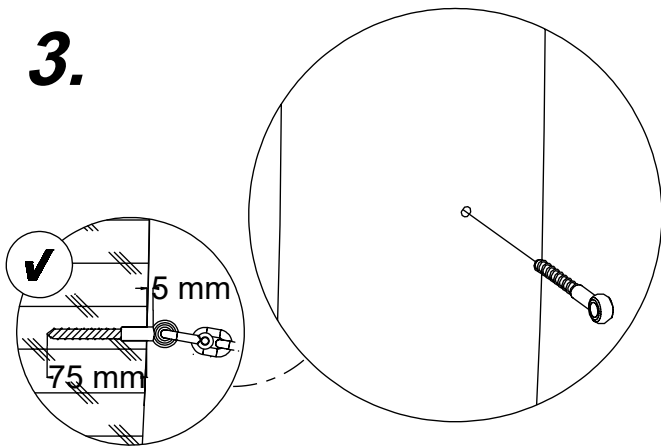
1.



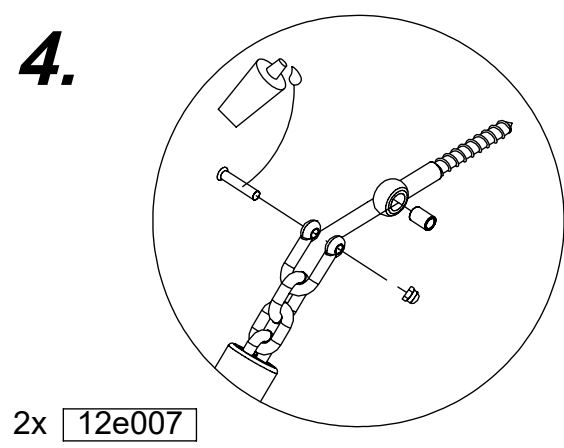
2.



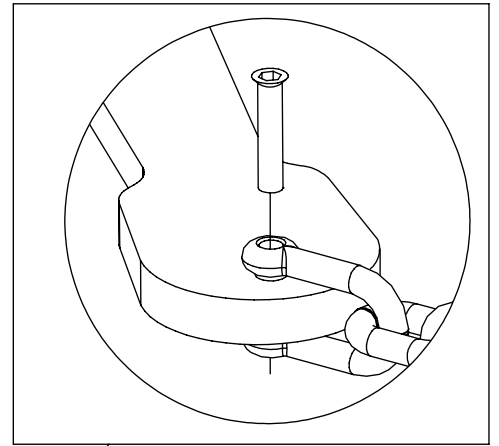
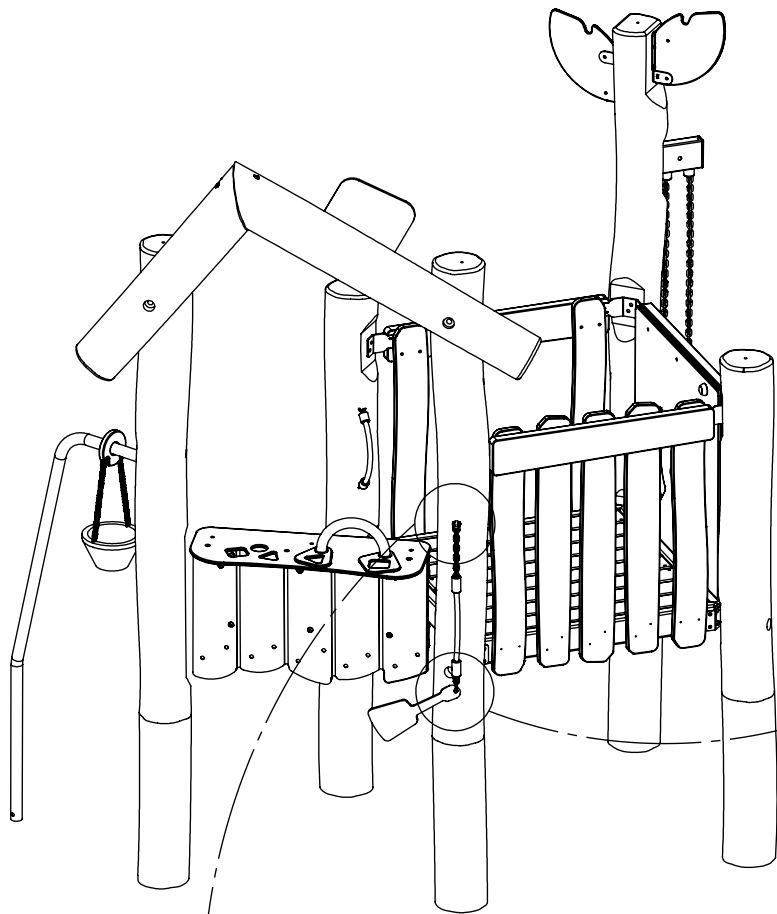
3.



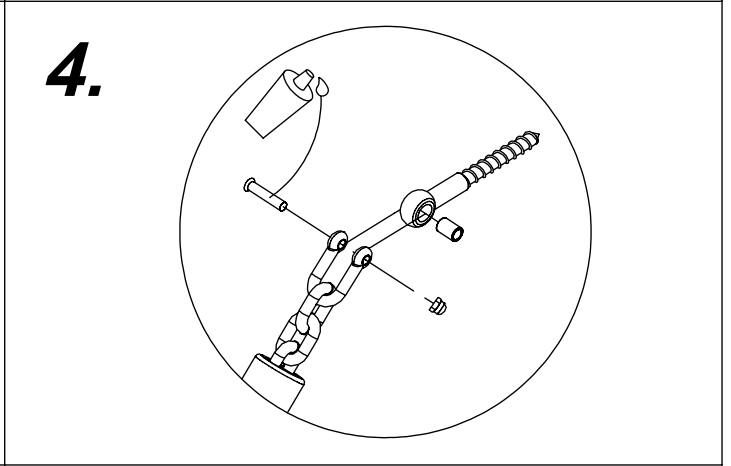
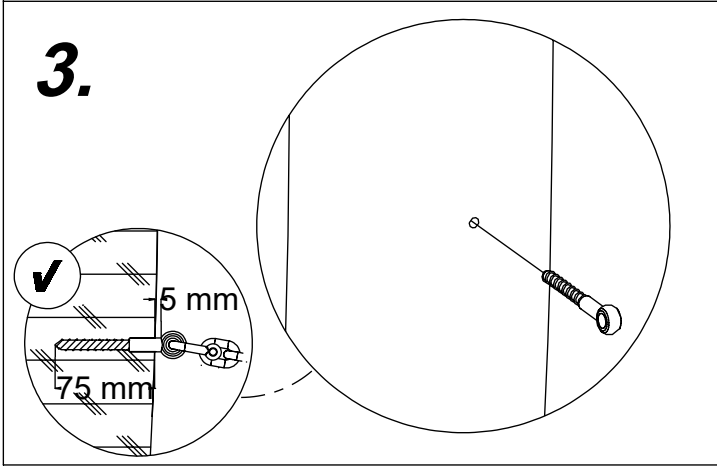
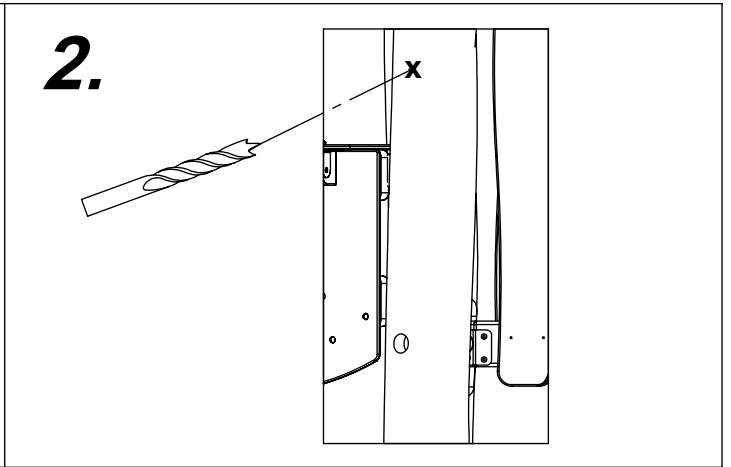
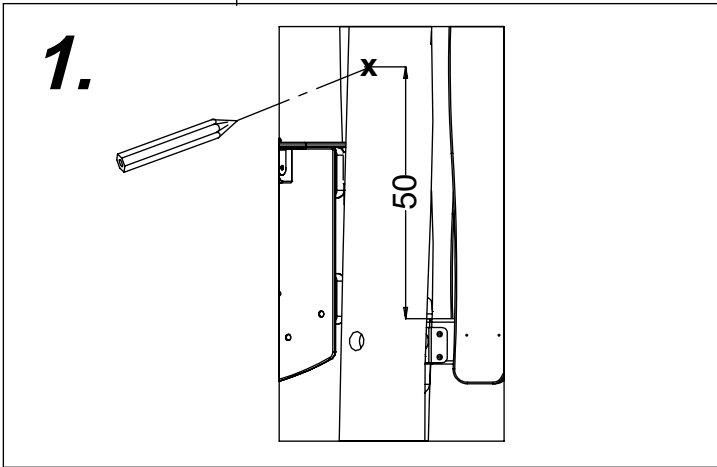
4.



2x 12e007



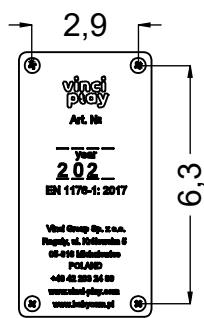
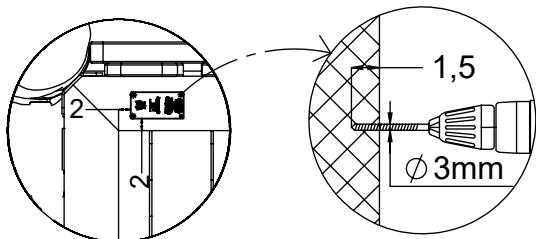
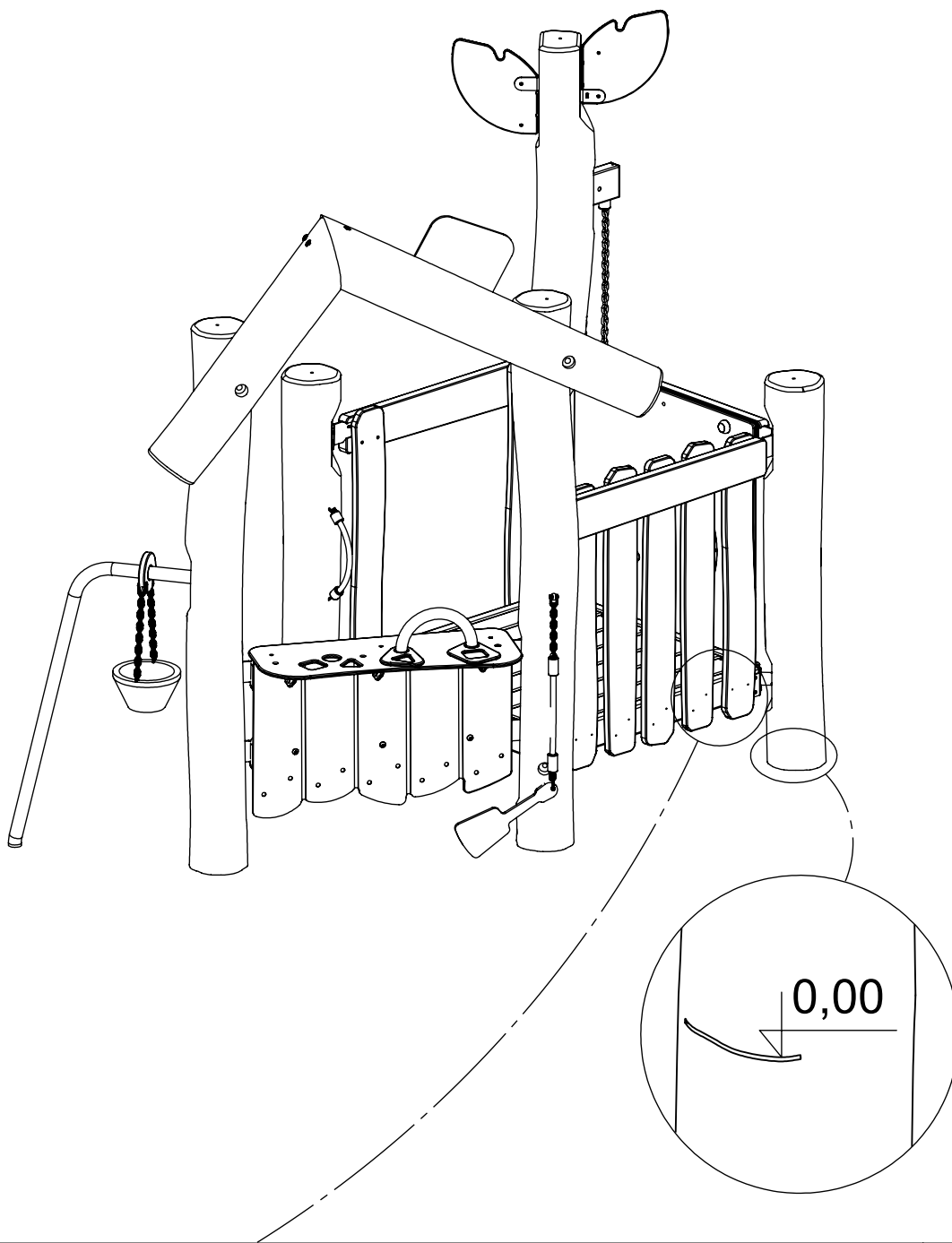
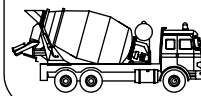
1x 12e148



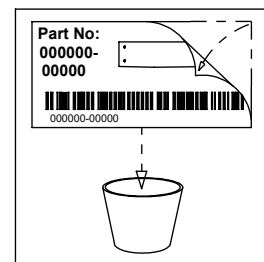
[cm]

vinci
play

48h



V001



[cm]

vinci play