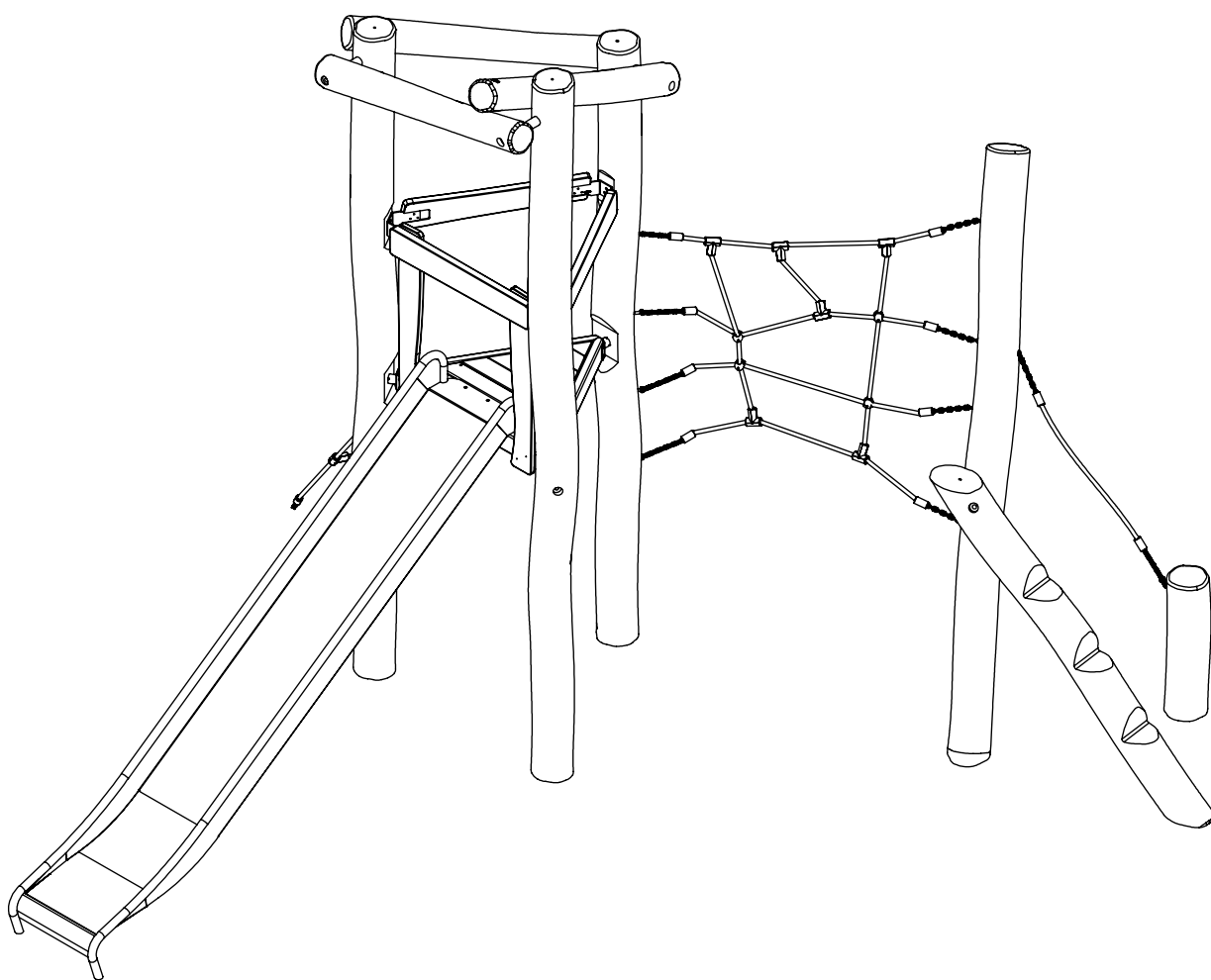
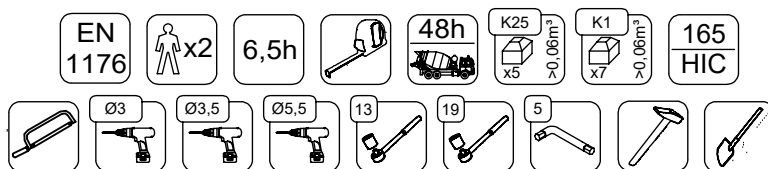


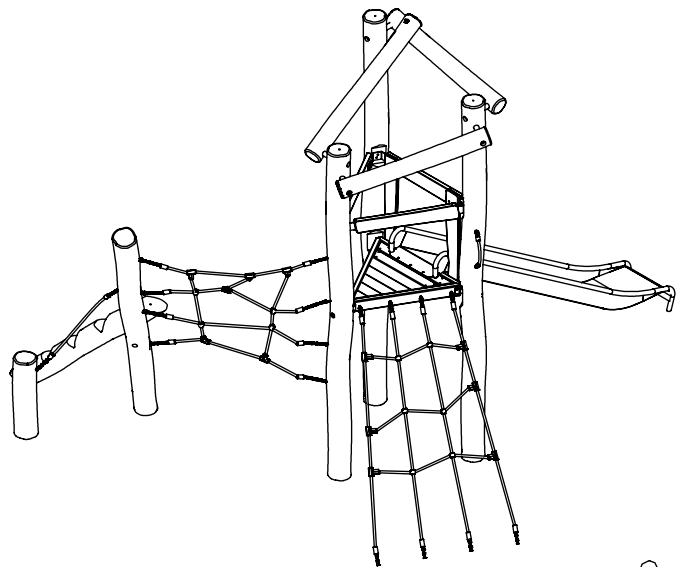
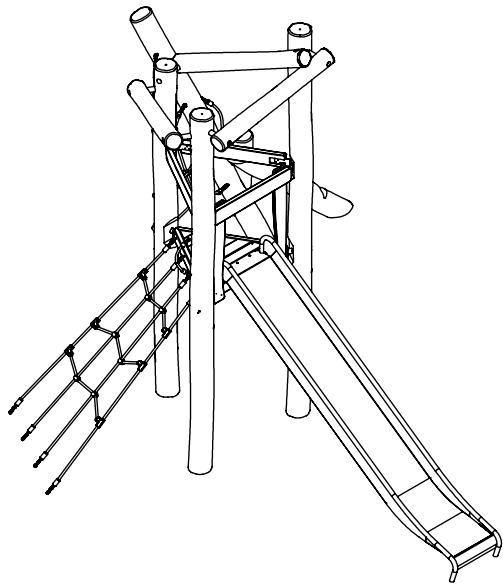
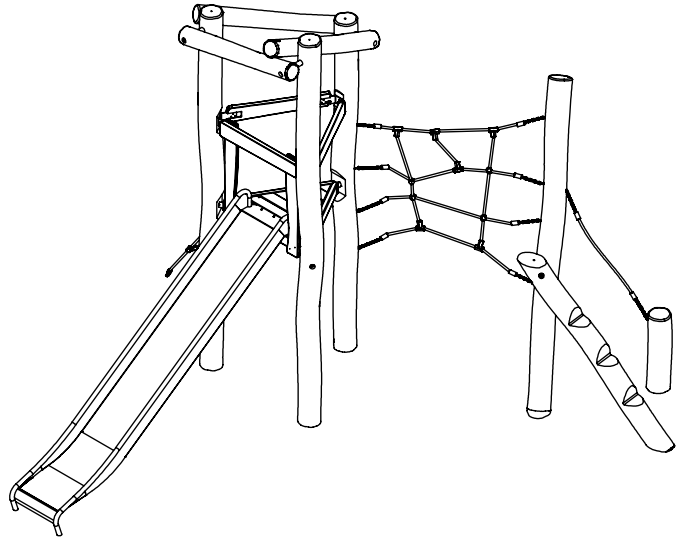
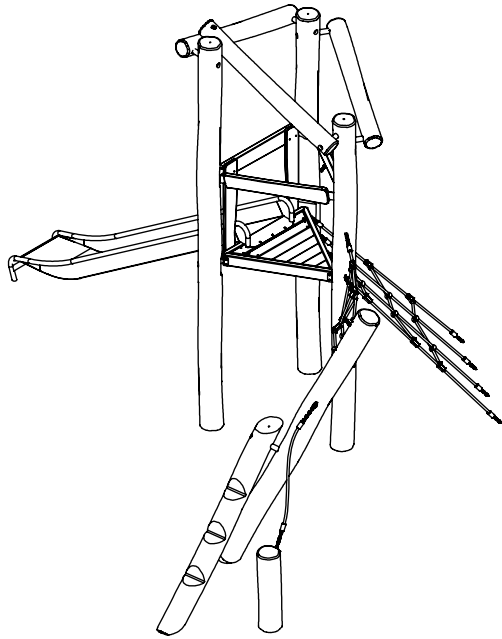
RB1313



v010
14.02.2024
D. P.
[cm]

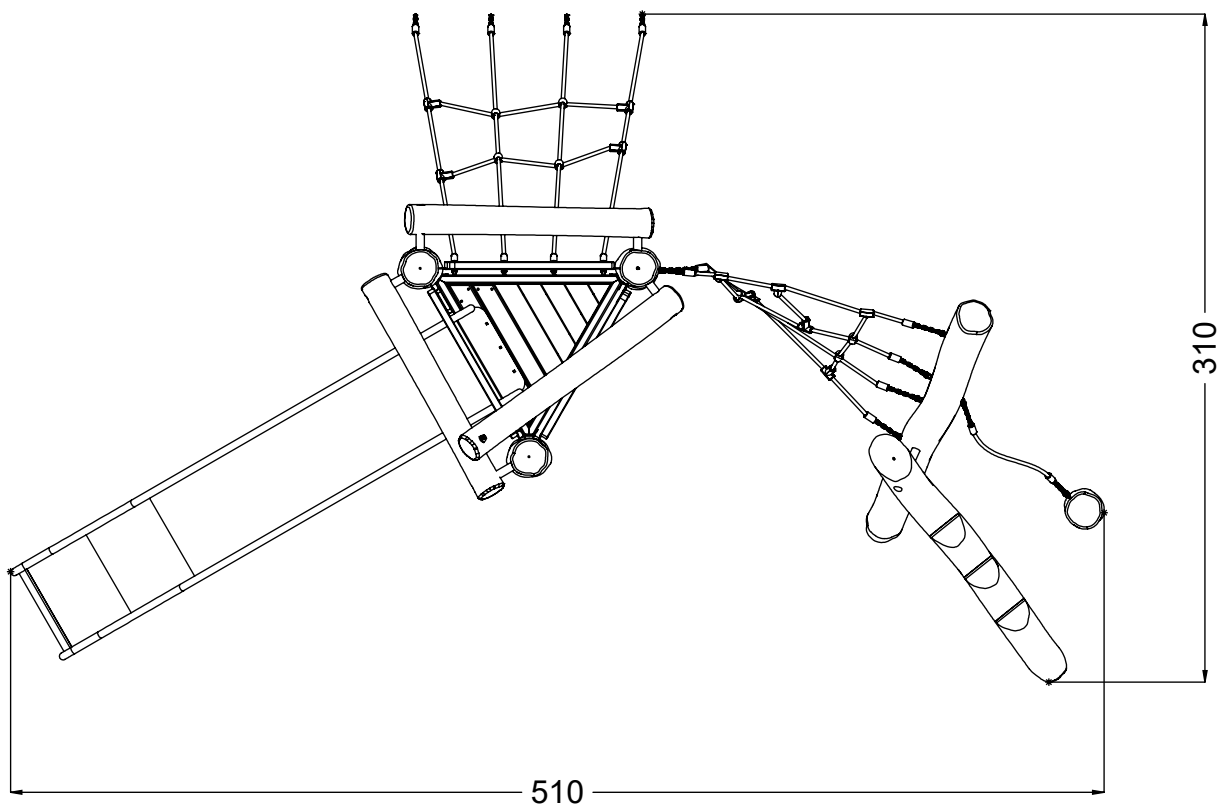
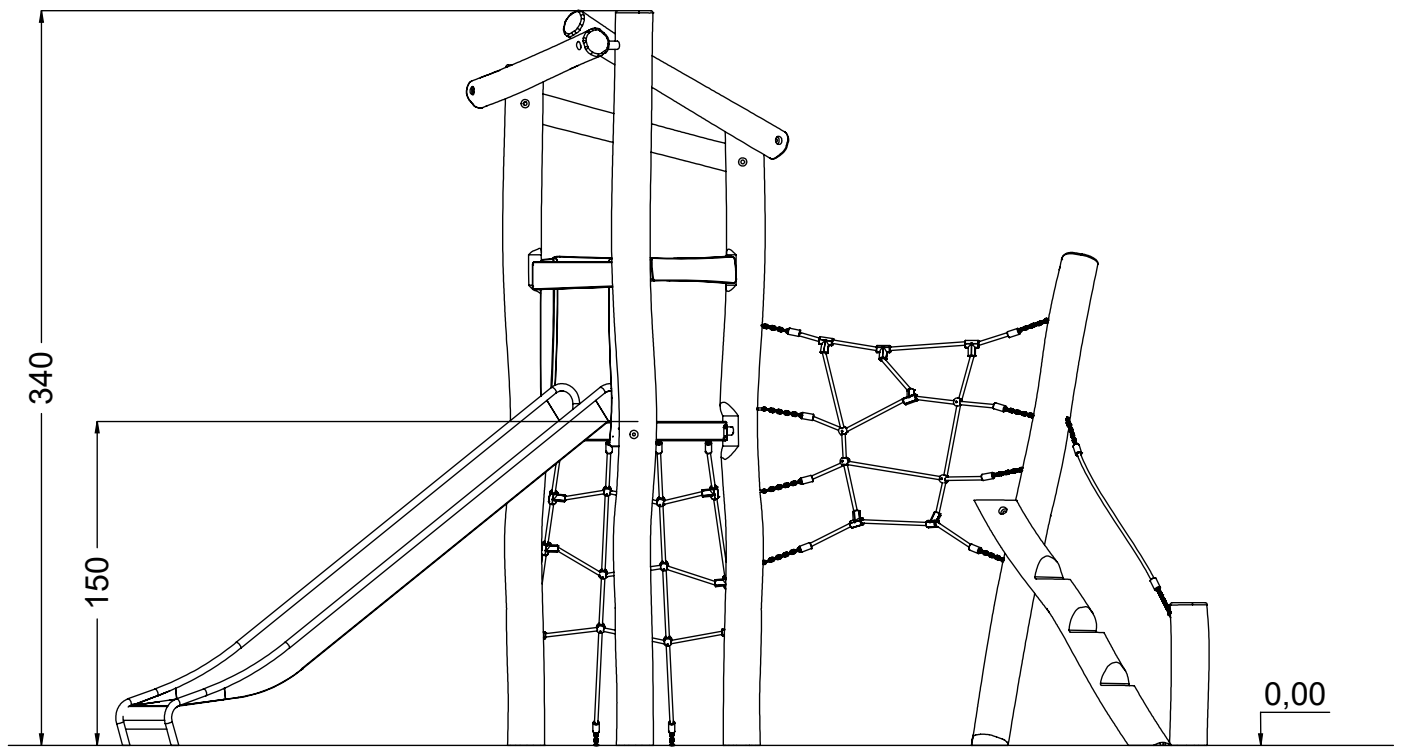


vinci
play



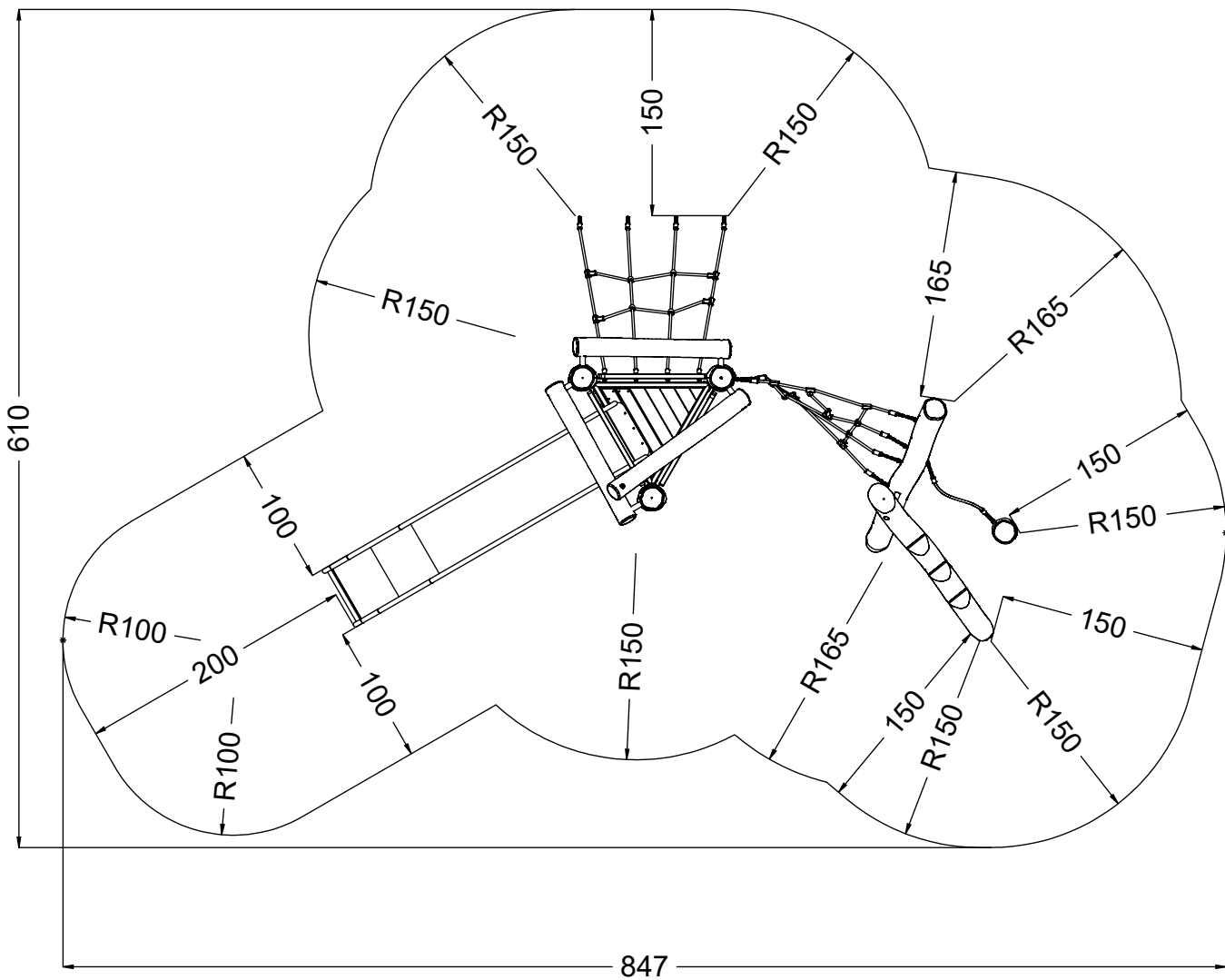
[cm]

vinci
play



[cm]

vinci
play

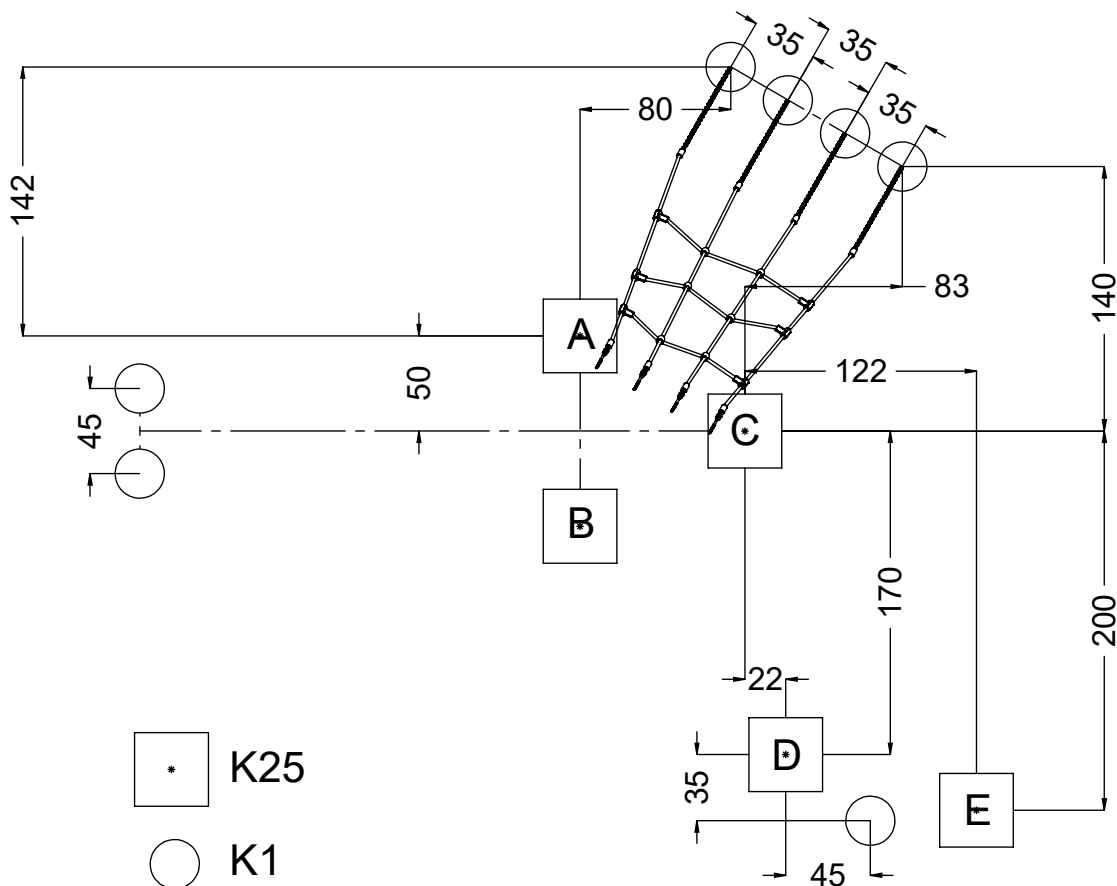
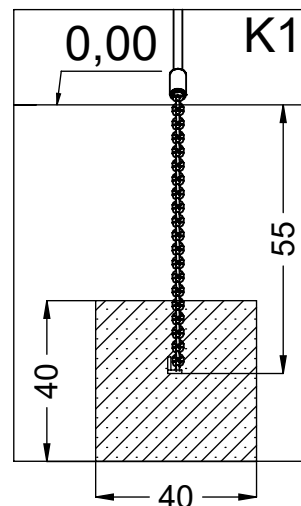
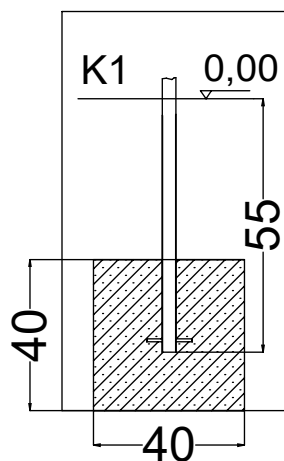
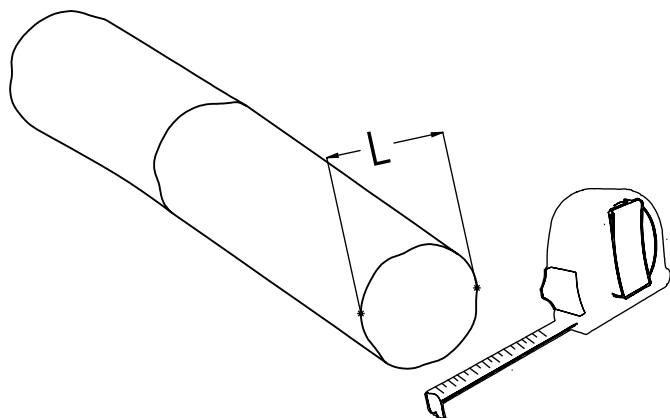
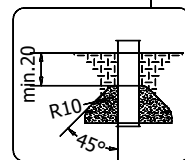
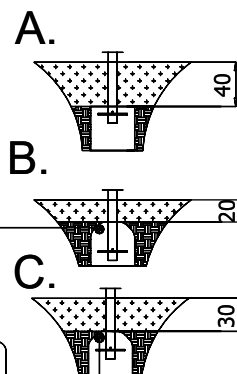
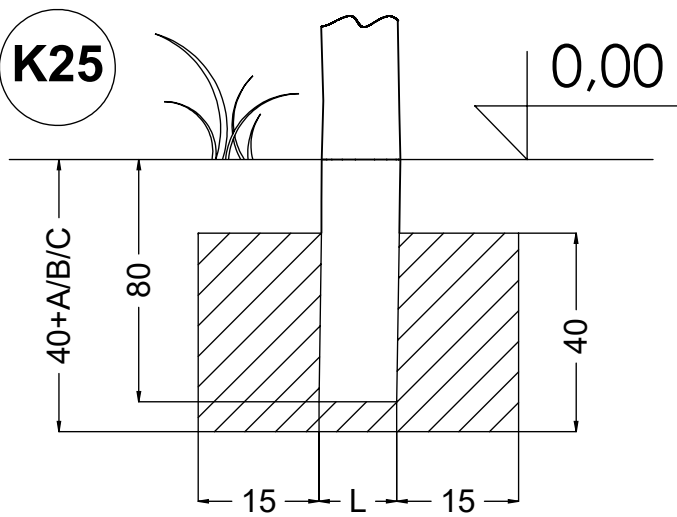


[cm]



vinci
play

K25



K25

K1

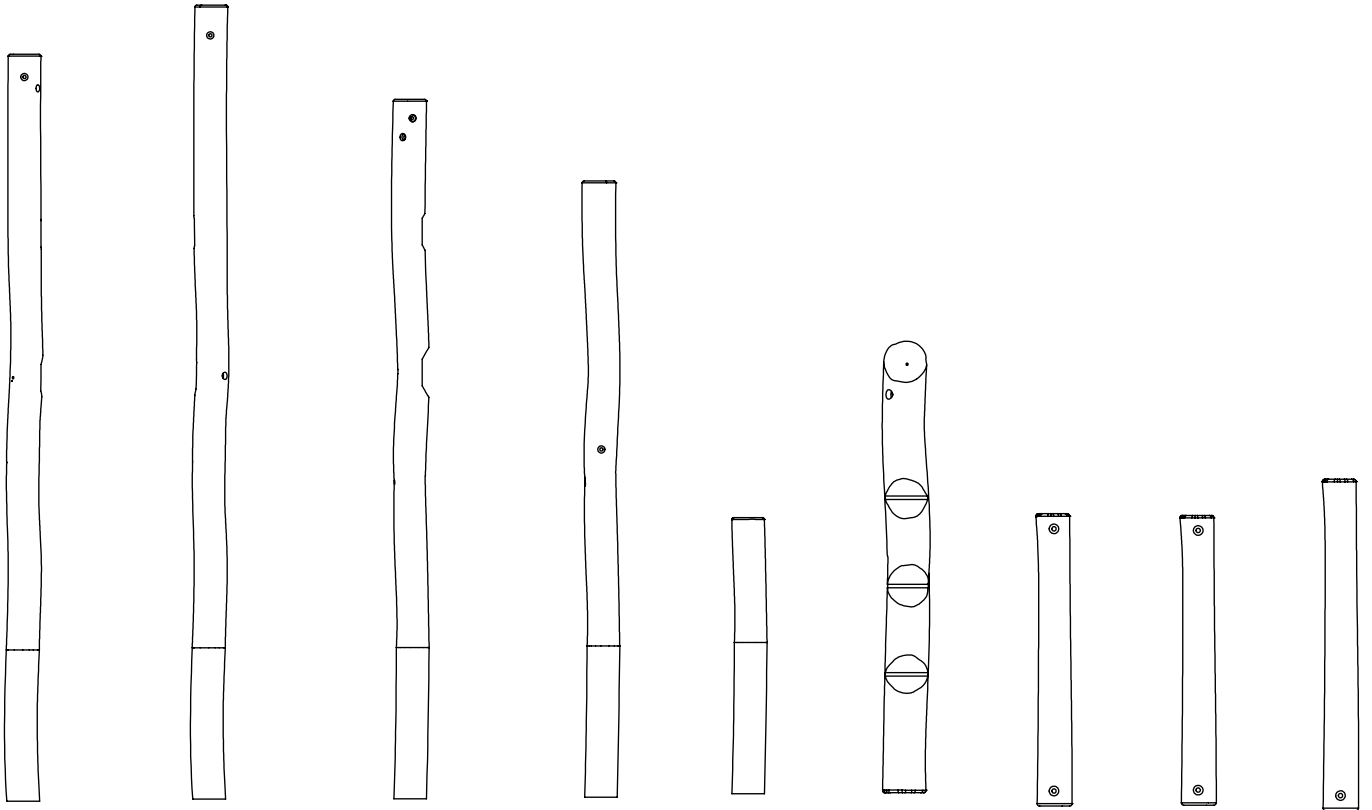
[cm]



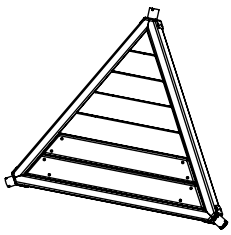
6,5h



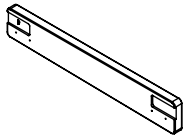
vinci play



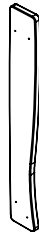
127992 (A) x1 127993 (B) x1 127994 (C) x1 127995 (D) x1 127421 (E) x1 127419 x1 127883 x1 127921 x1 127922 x1



124108
x1



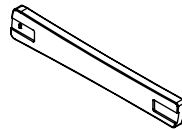
128107
x1



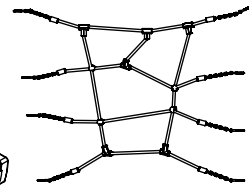
128178
x1



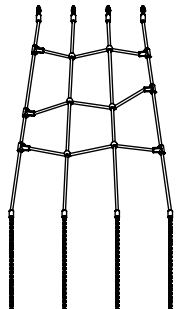
128103
x1



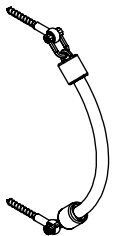
128168
x2



125101
x1



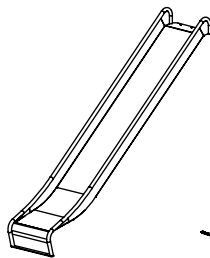
125108
x1



125119
x1



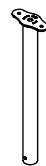
992161
x1



994170
x1



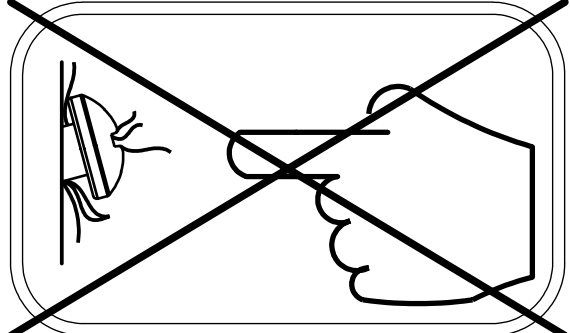
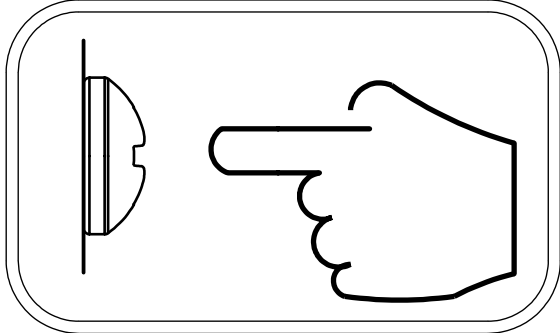
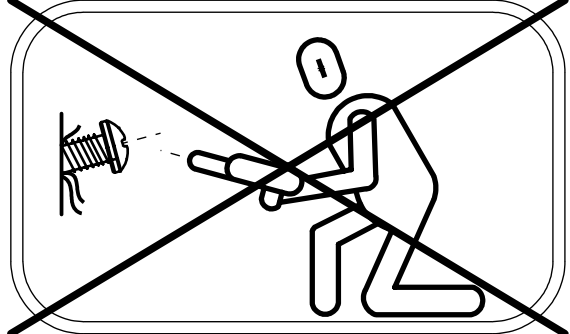
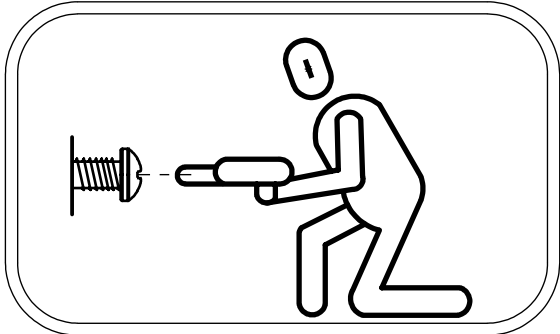
125129
x1

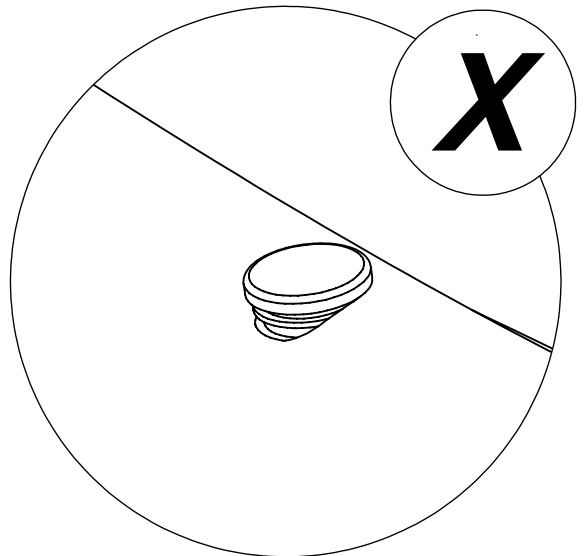
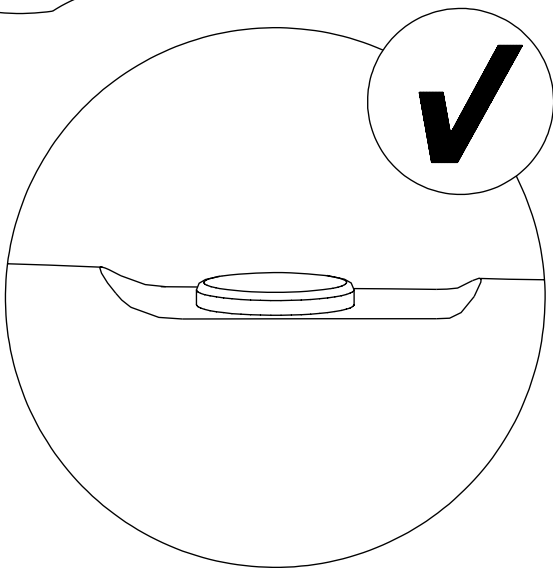
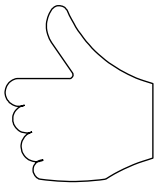
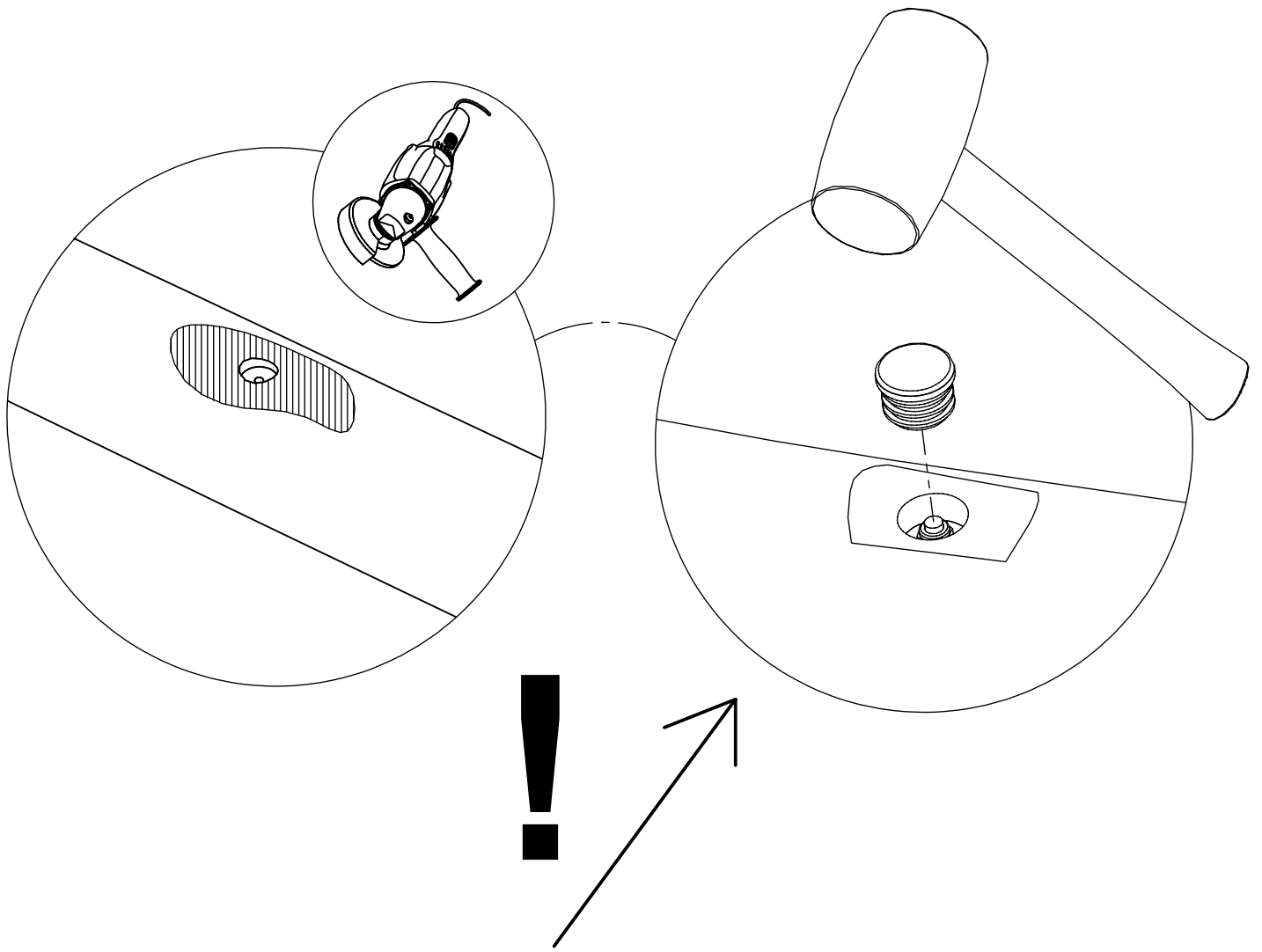


082112
x1

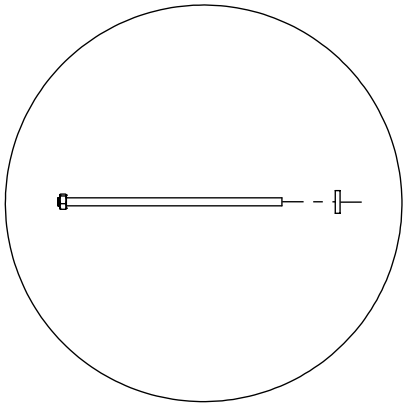
1x	12e003
8x	12e007
1x	12e019
1x	12e027
1x	12e030
5x	12e151
4x	WD52
3x	b405
1x	V001

18x	5x30 sxs
8x	5x50 sxs
8x	8x50 sxi
1x	8x160 sxt

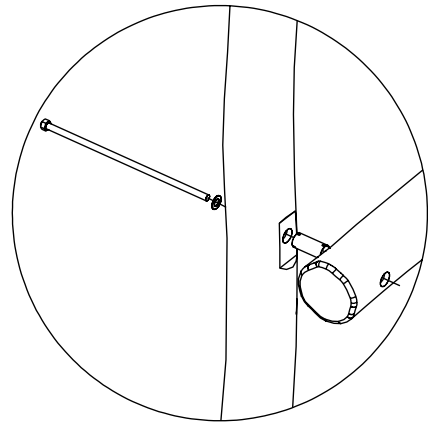




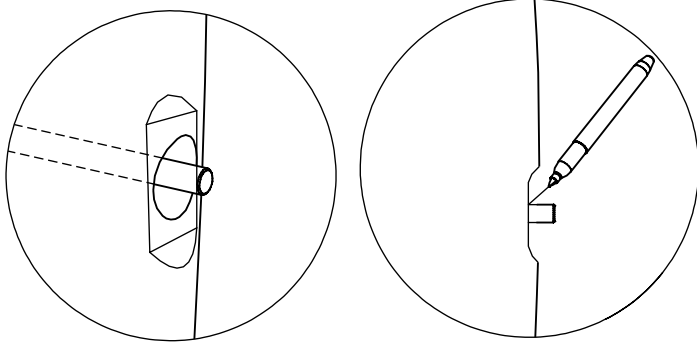
1.



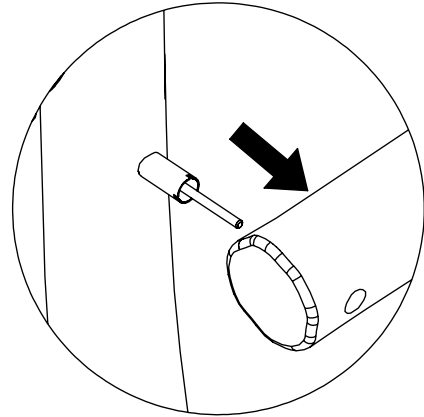
2.



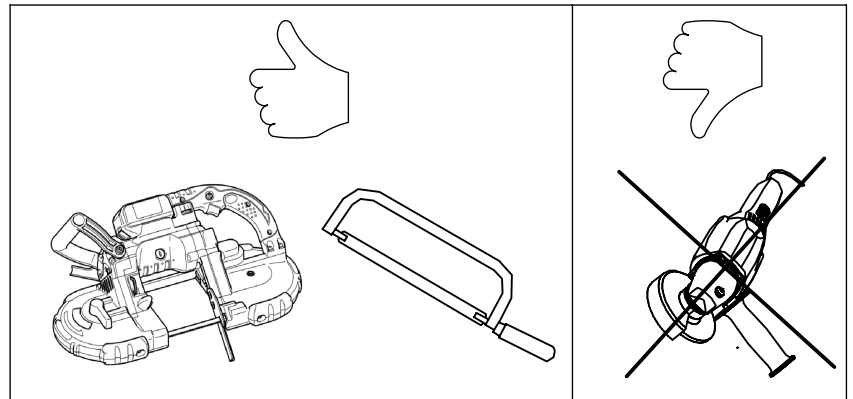
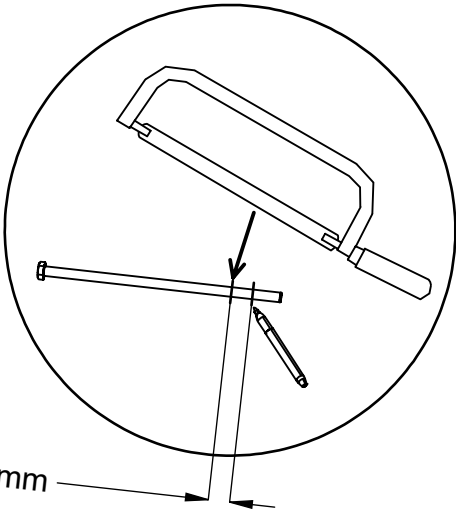
3.



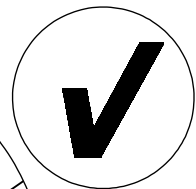
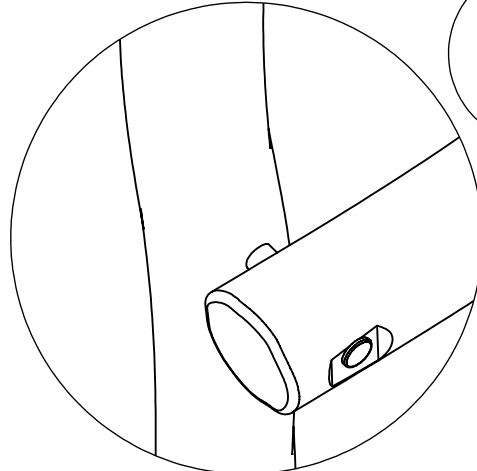
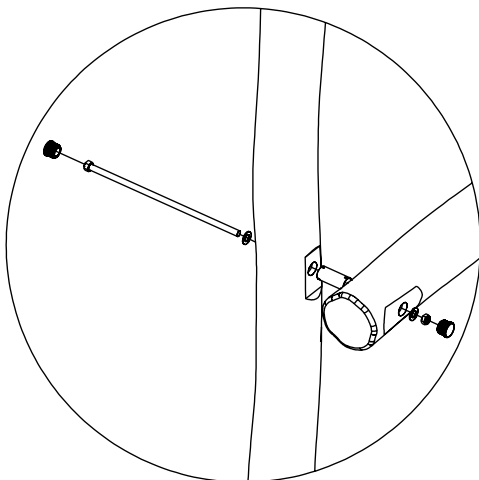
4.



5.



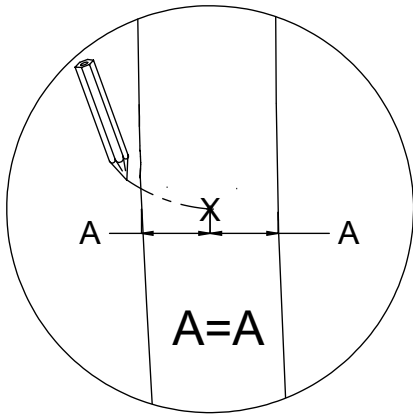
6.



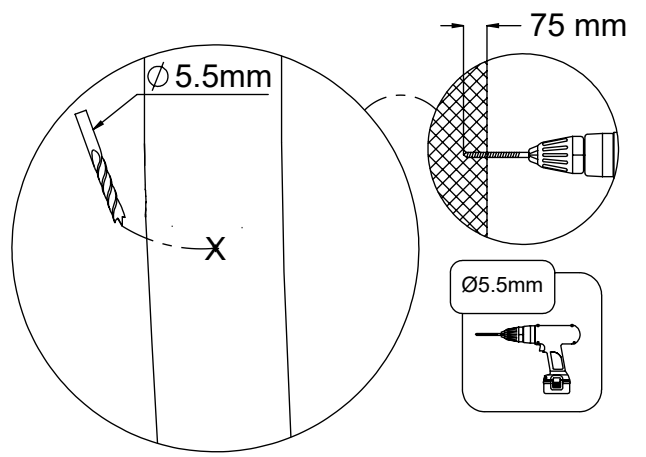
[cm]

vinci
play

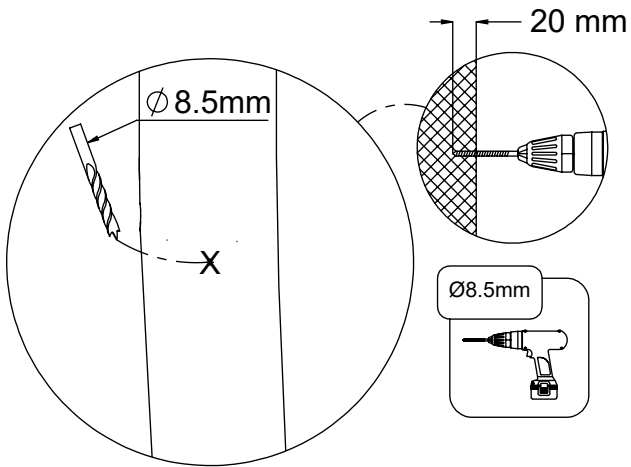
1.



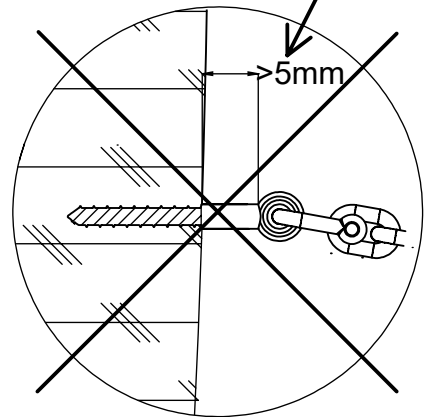
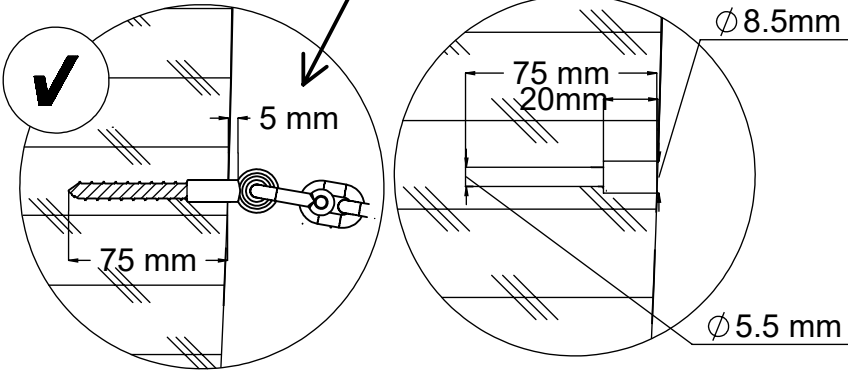
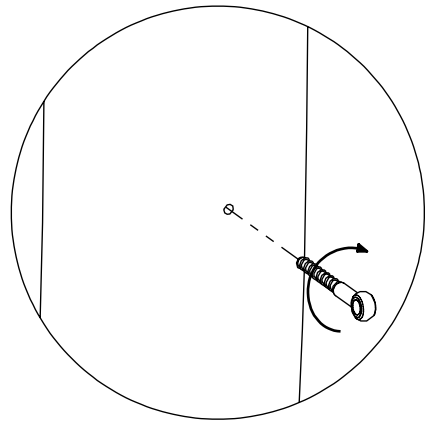
2.



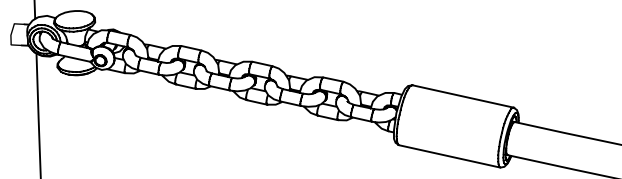
3.



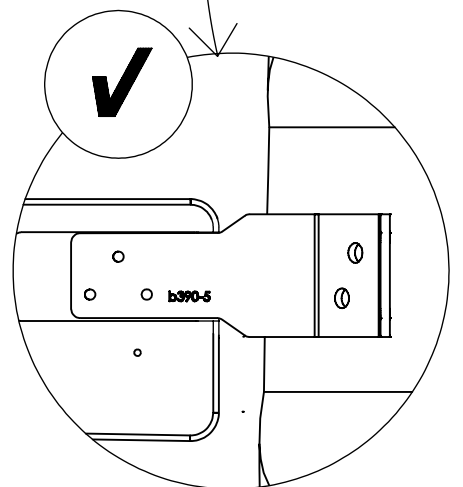
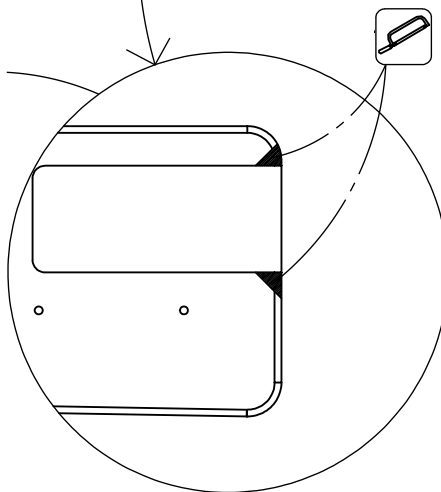
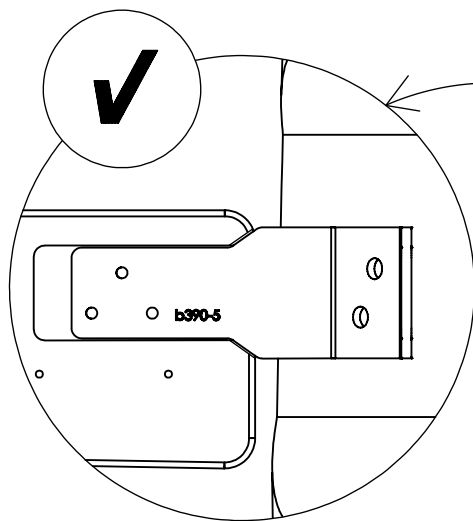
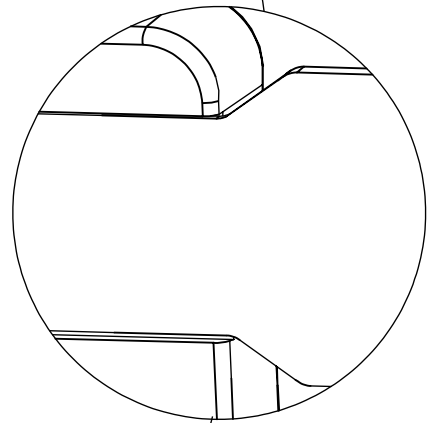
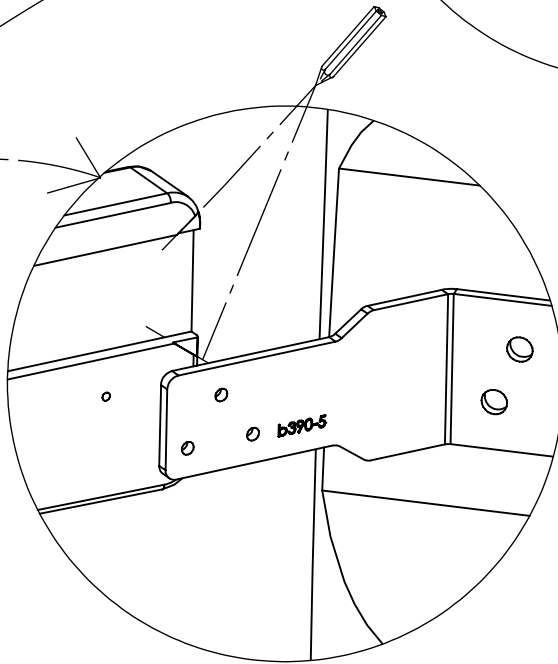
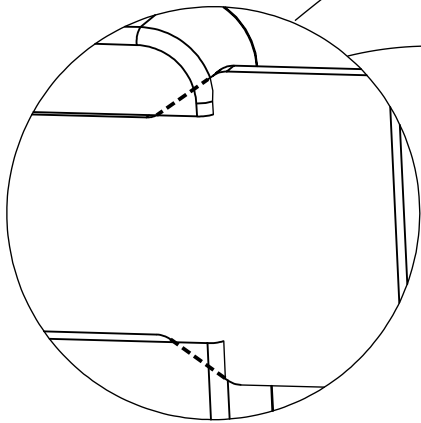
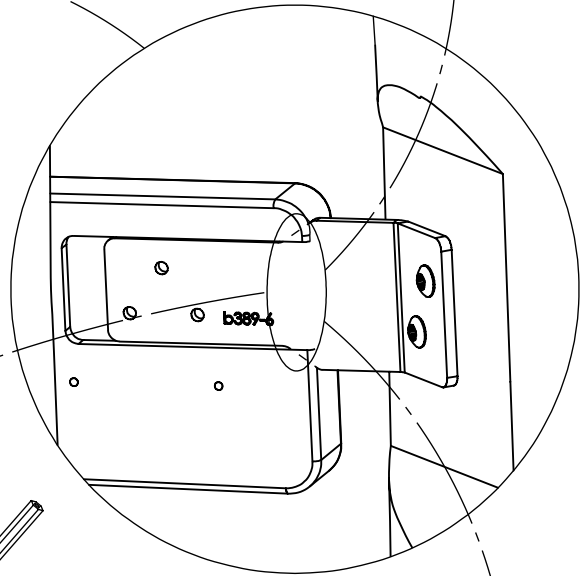
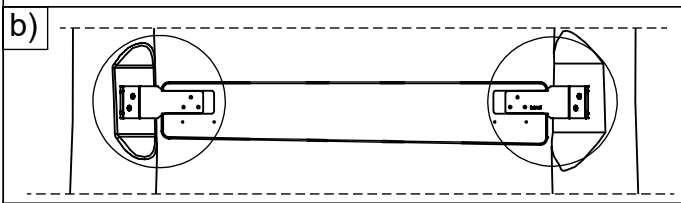
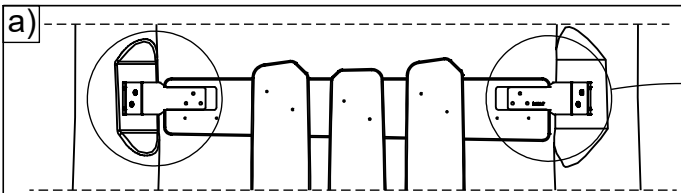
4.

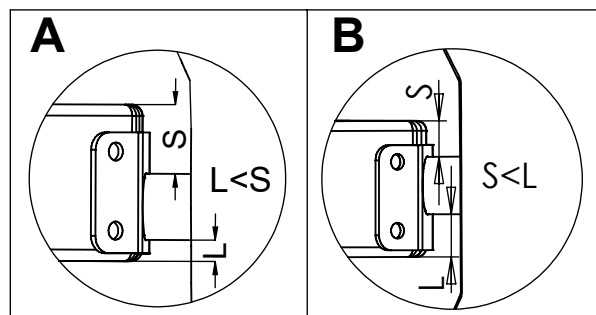
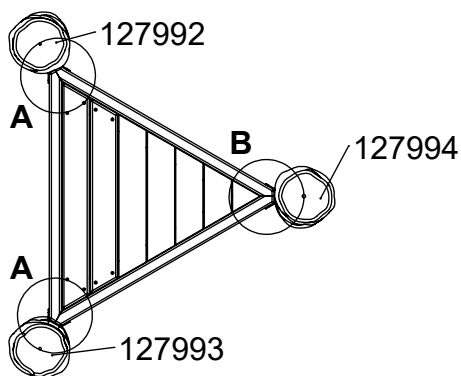
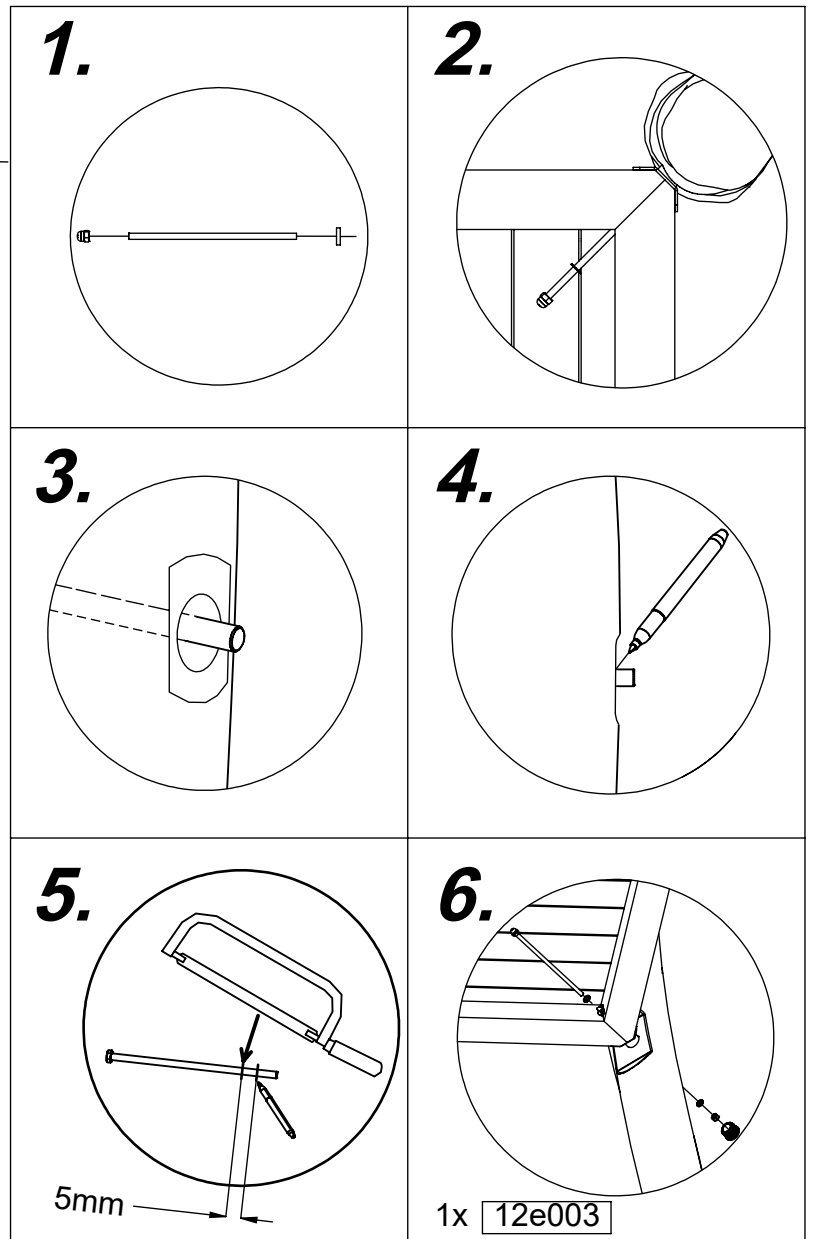
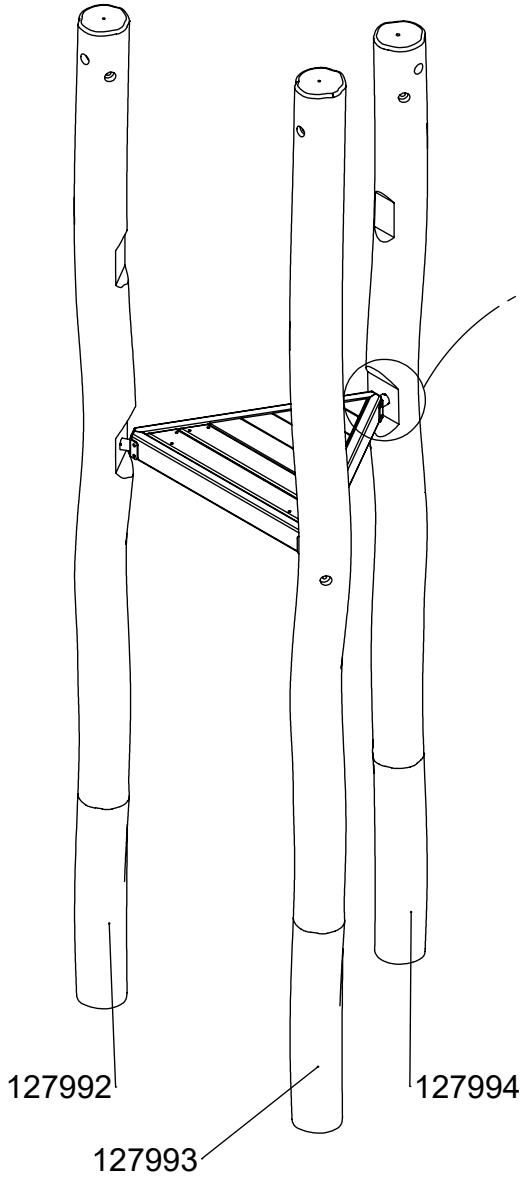
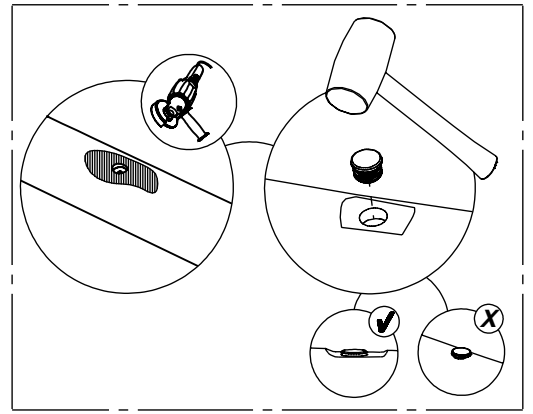


[cm]



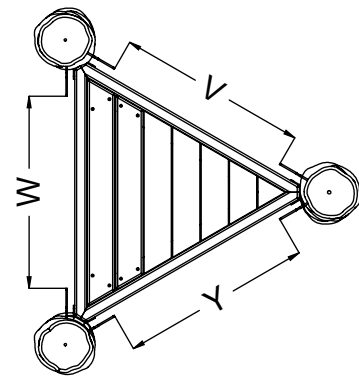
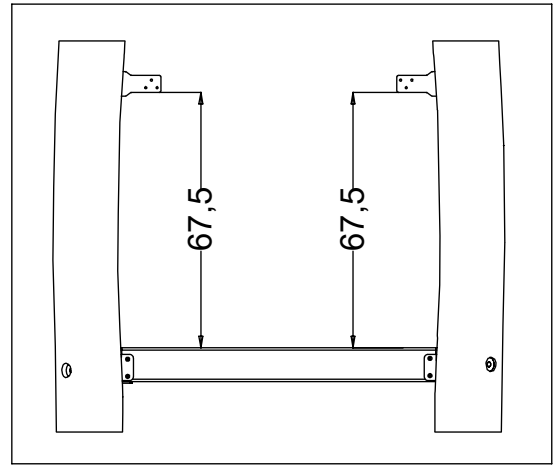
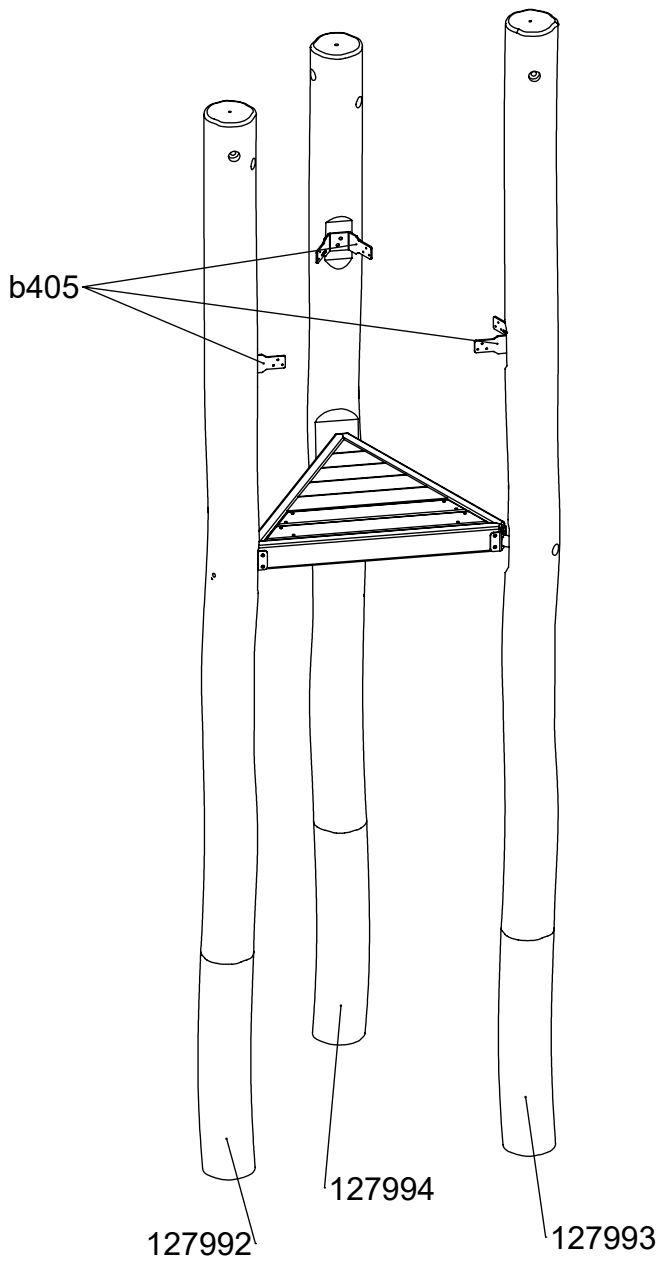
vinci play





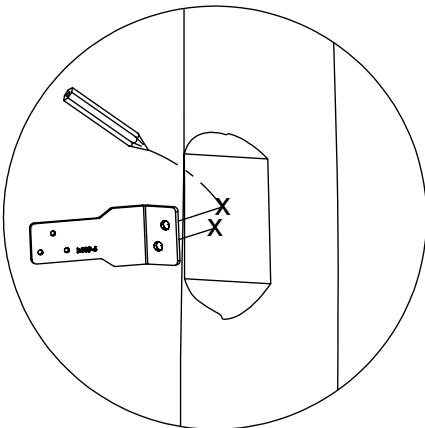
[cm]

vinci
play

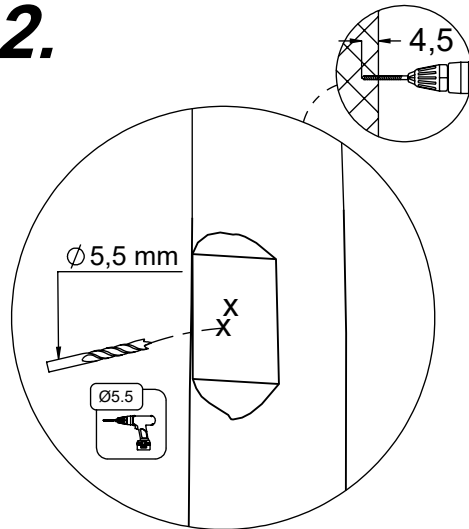


W=V=Y≈62

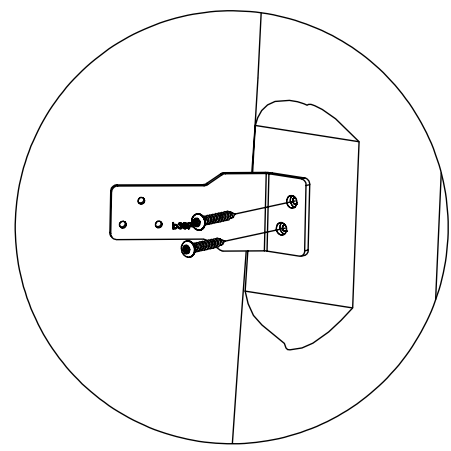
1.



2.



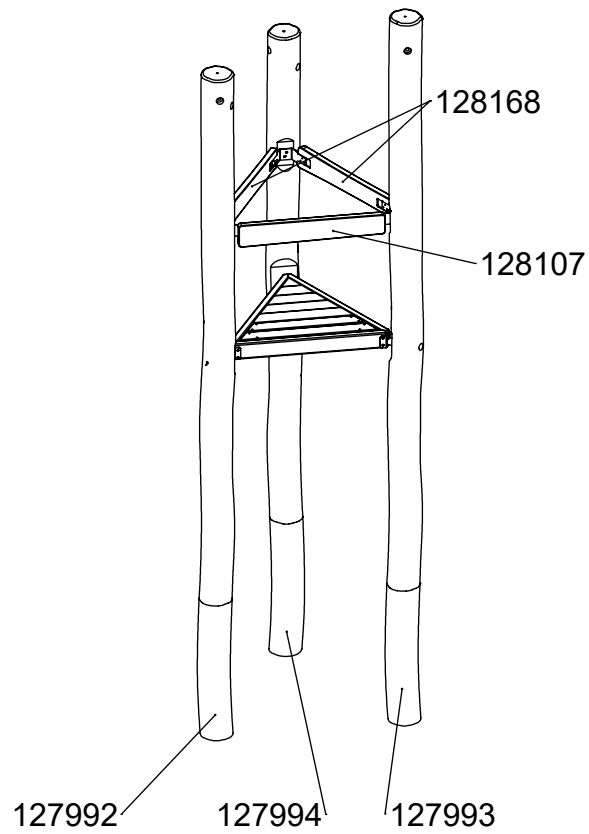
3.



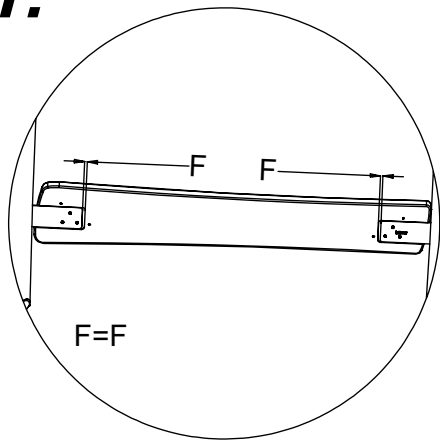
6x 8x50sxi

[cm]

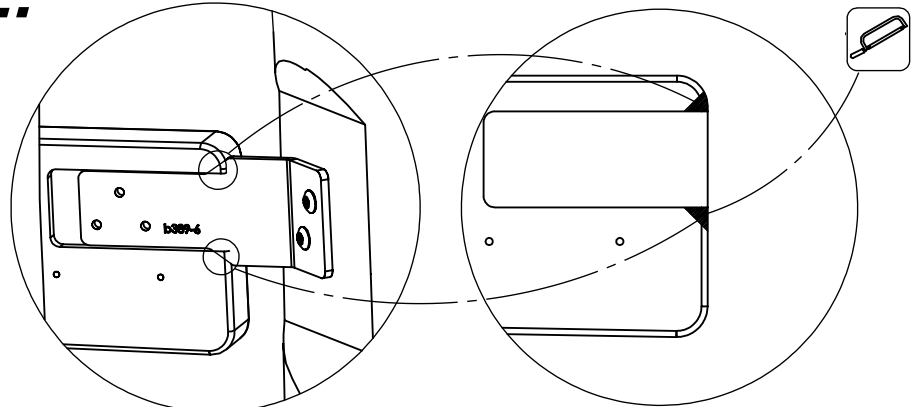
vinci
play



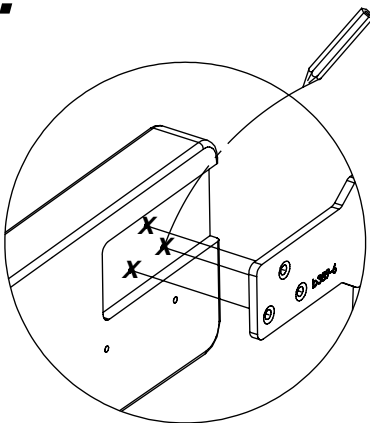
1.



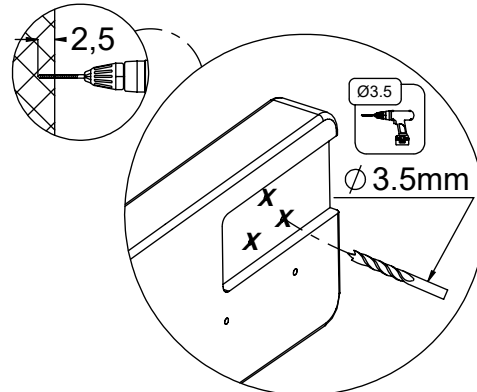
2.



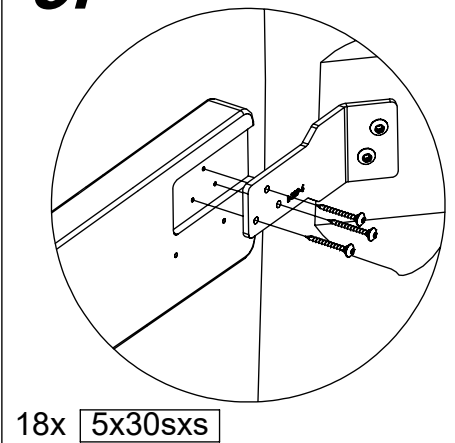
3.

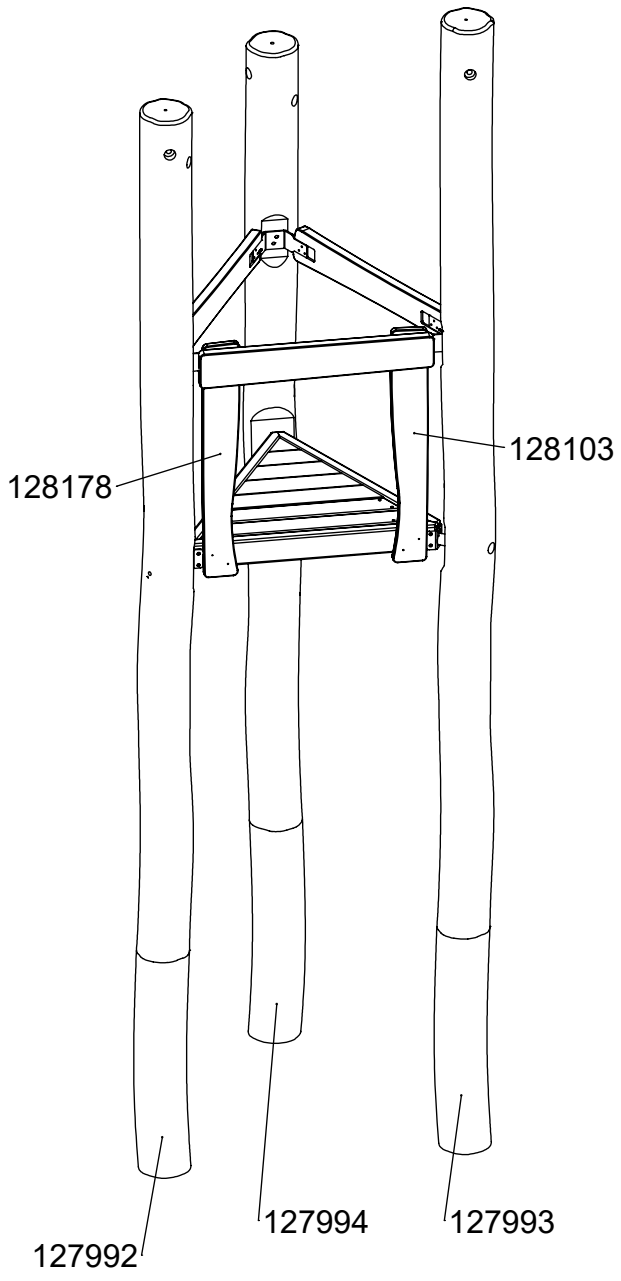


4.

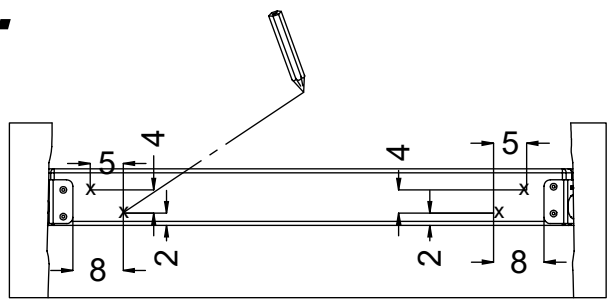


5.

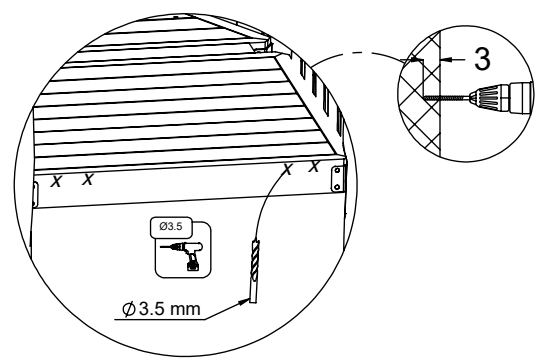




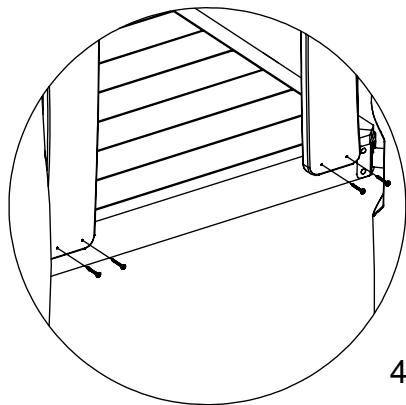
1.



2.

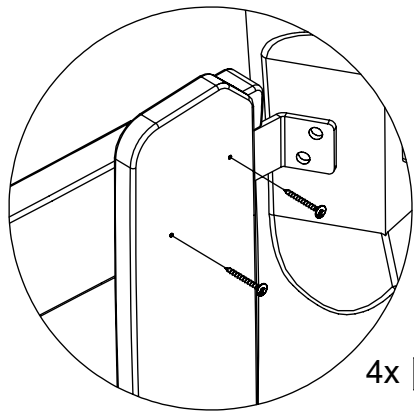


3.



4x 5x50sxs

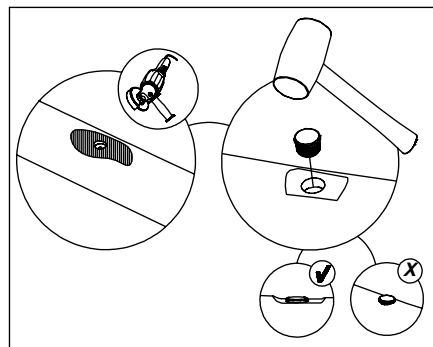
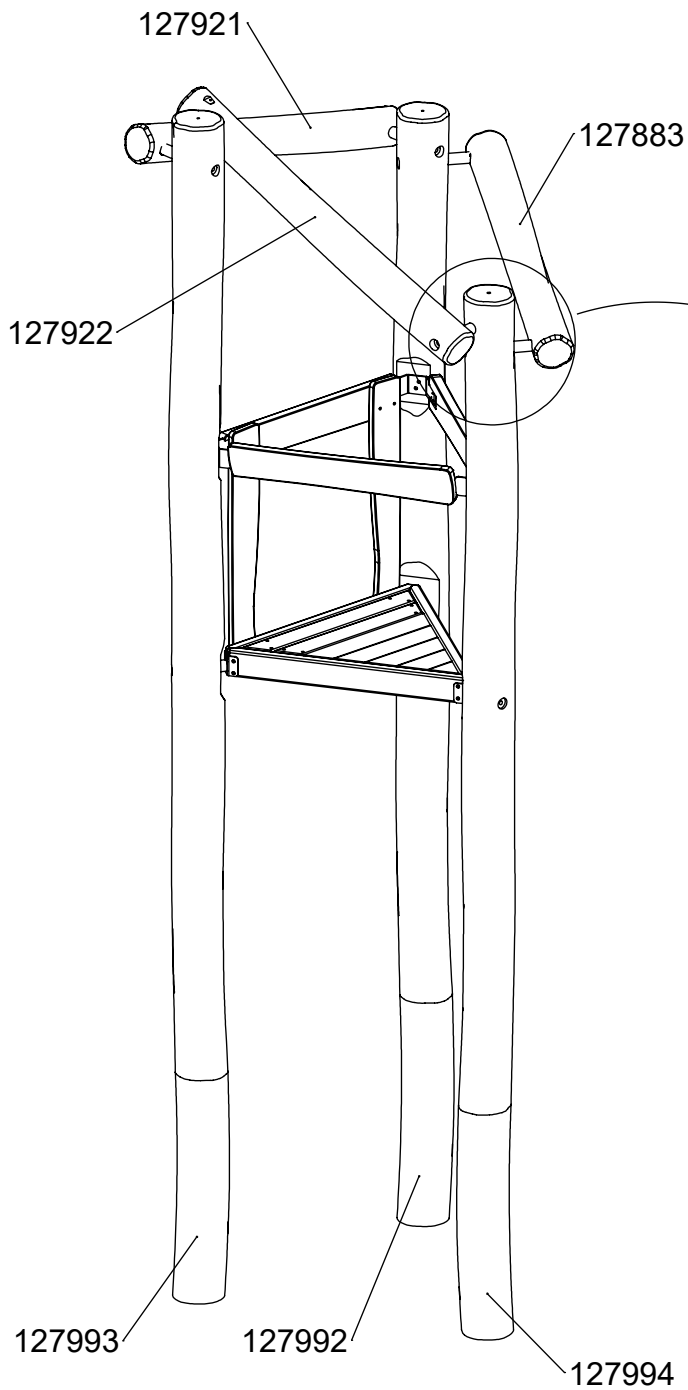
4.



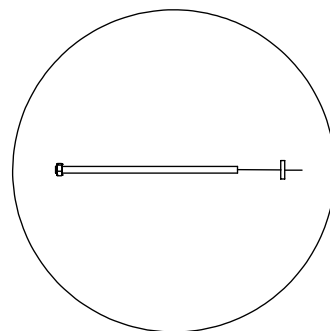
4x 5x50sxs

[cm]

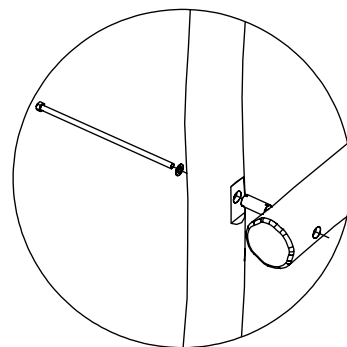
vinci
play



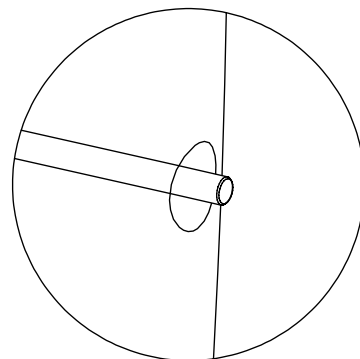
1.



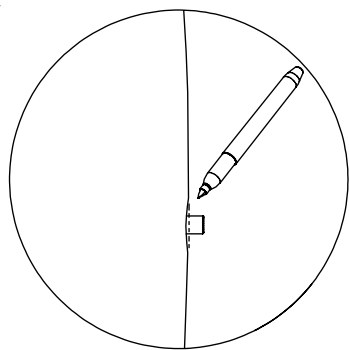
2.



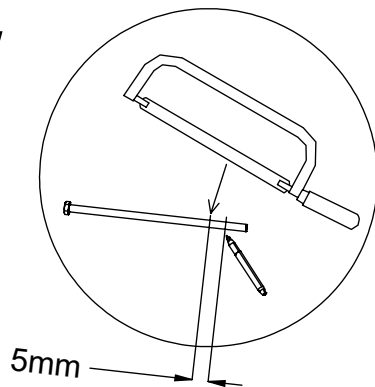
3.



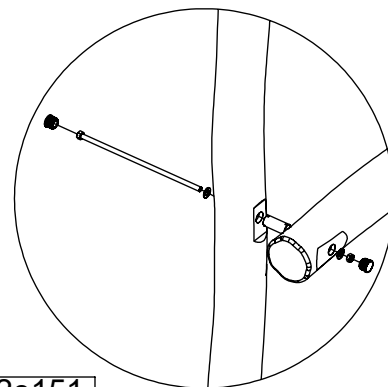
4.



5.

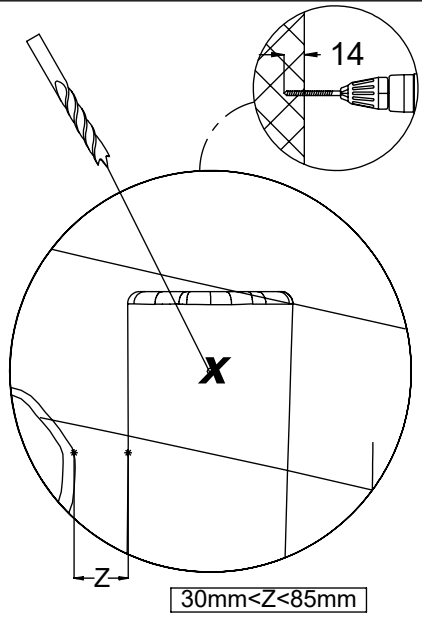


6.

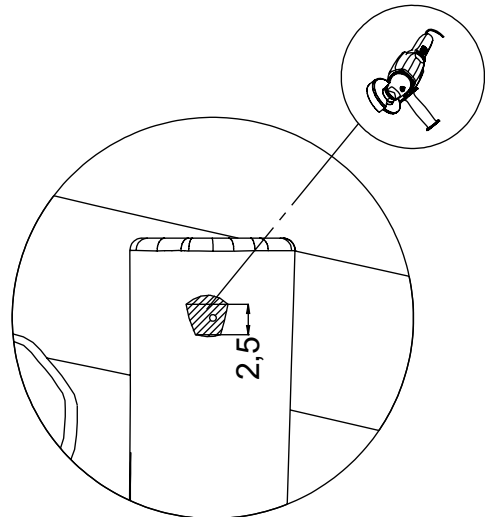


5x 12e151

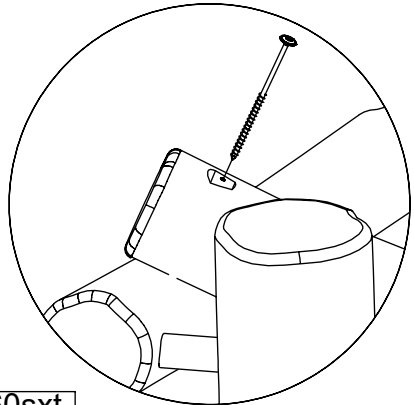
1.



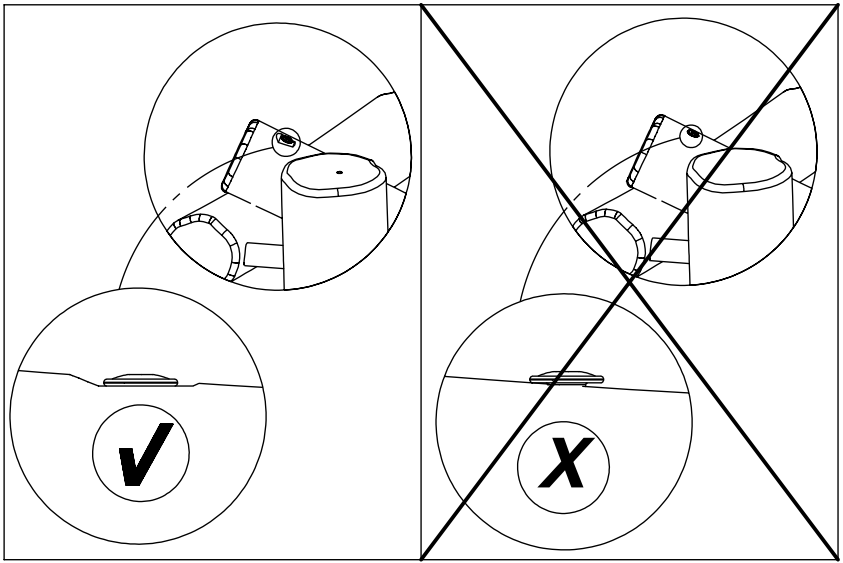
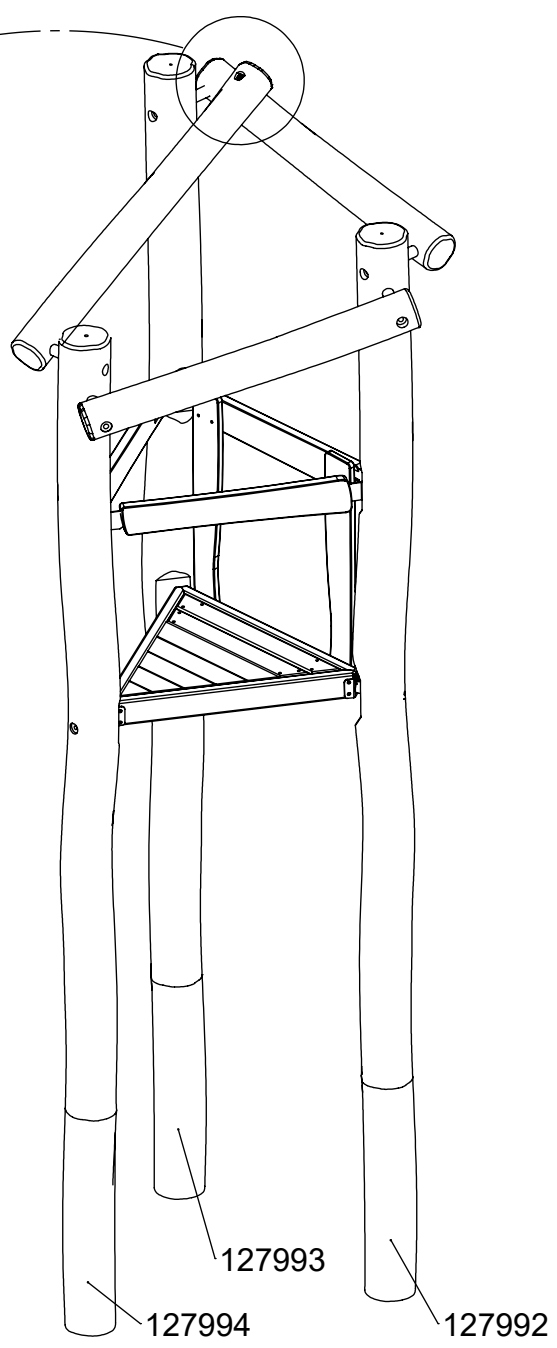
2.



3.



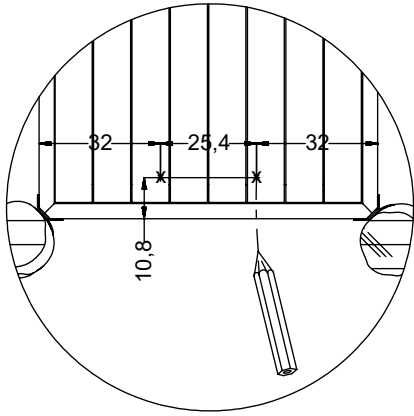
1x 8x160sxt



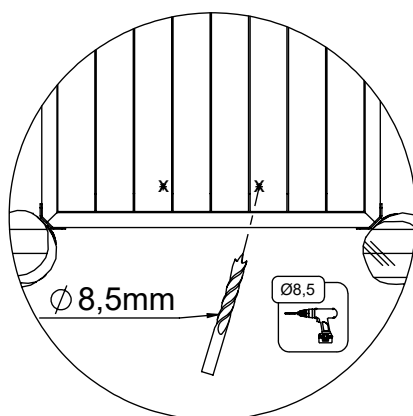
[cm]

vinci play

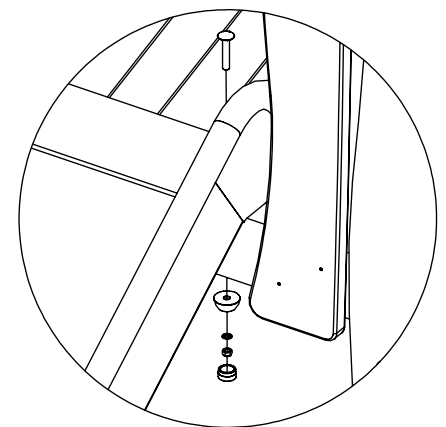
1.



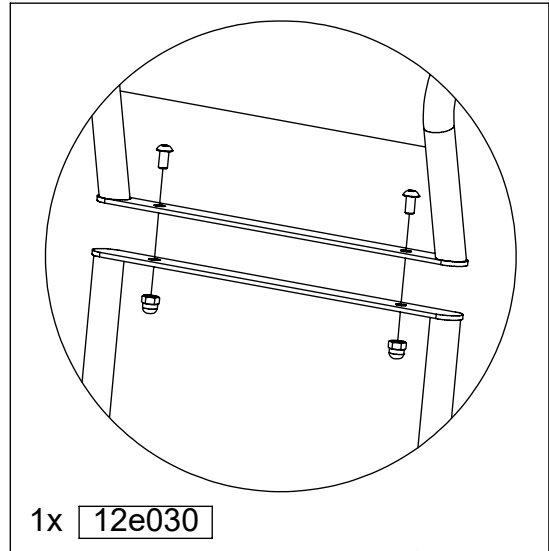
2.



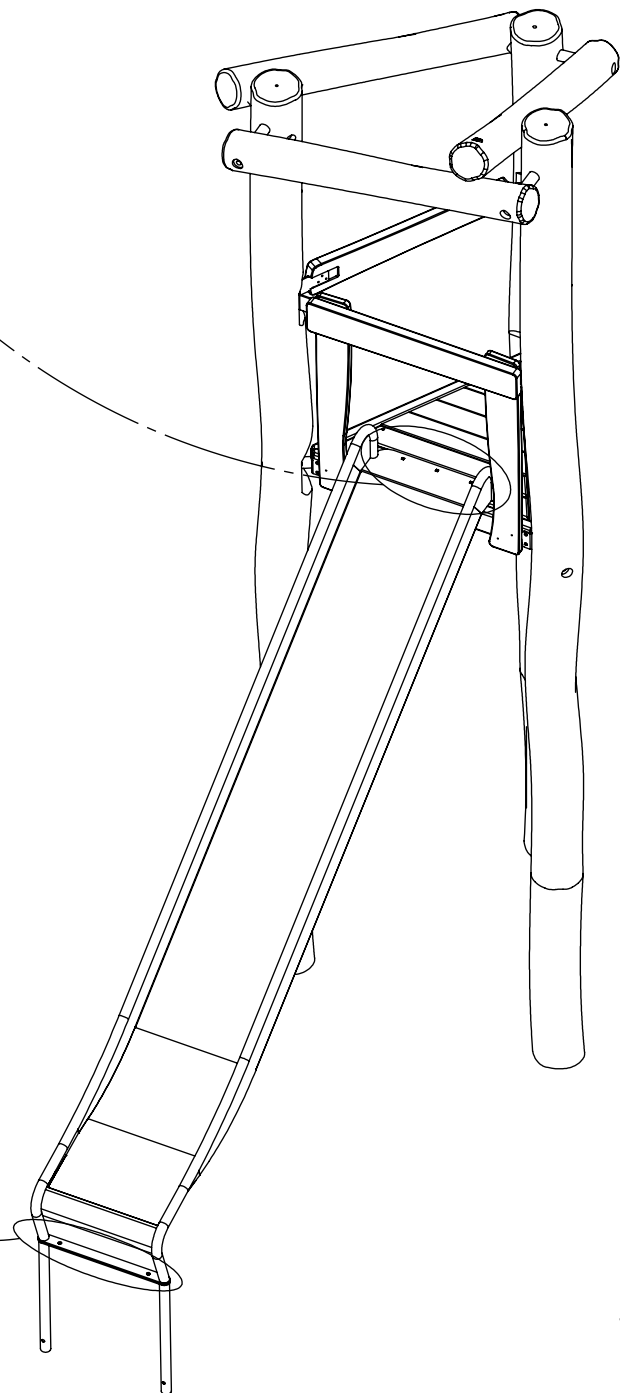
3.



1x 12e019

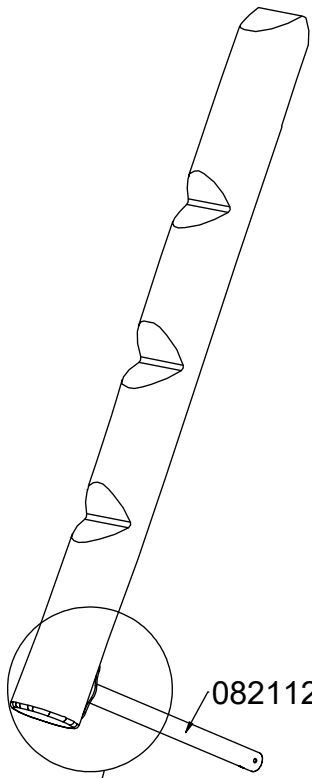


1x 12e030

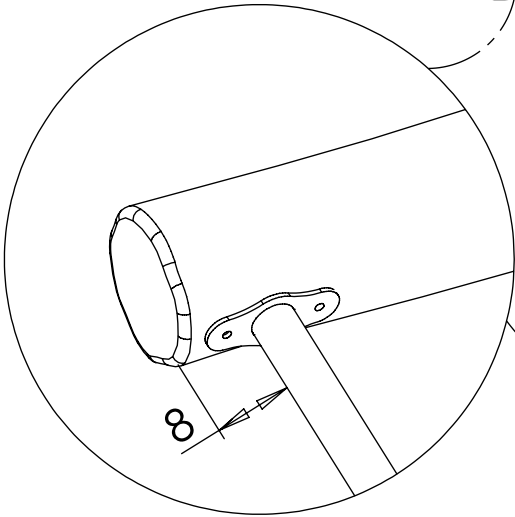


[cm]

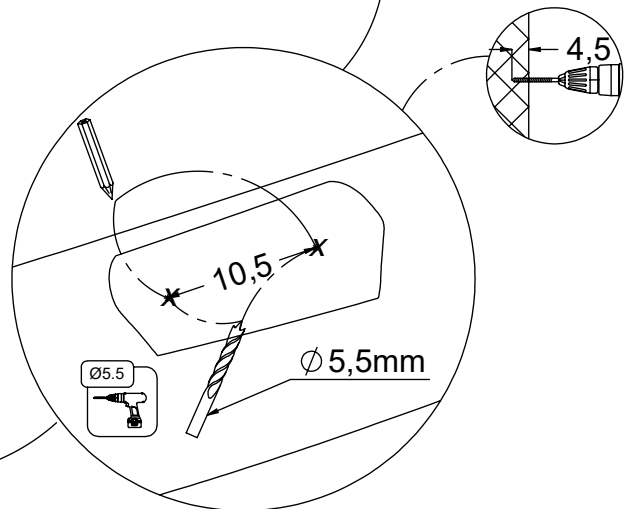
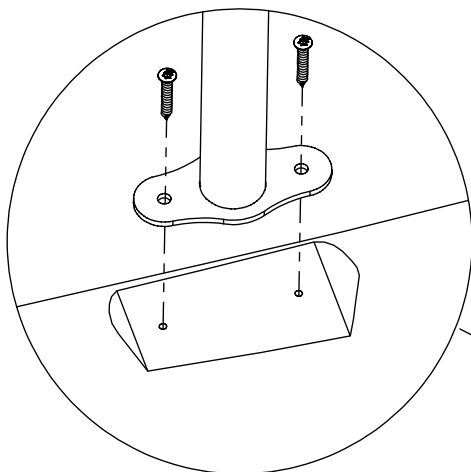
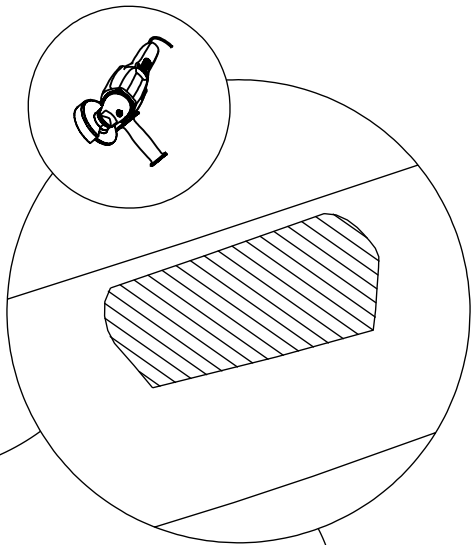
vinci
play



082112



8



4,5

10,5

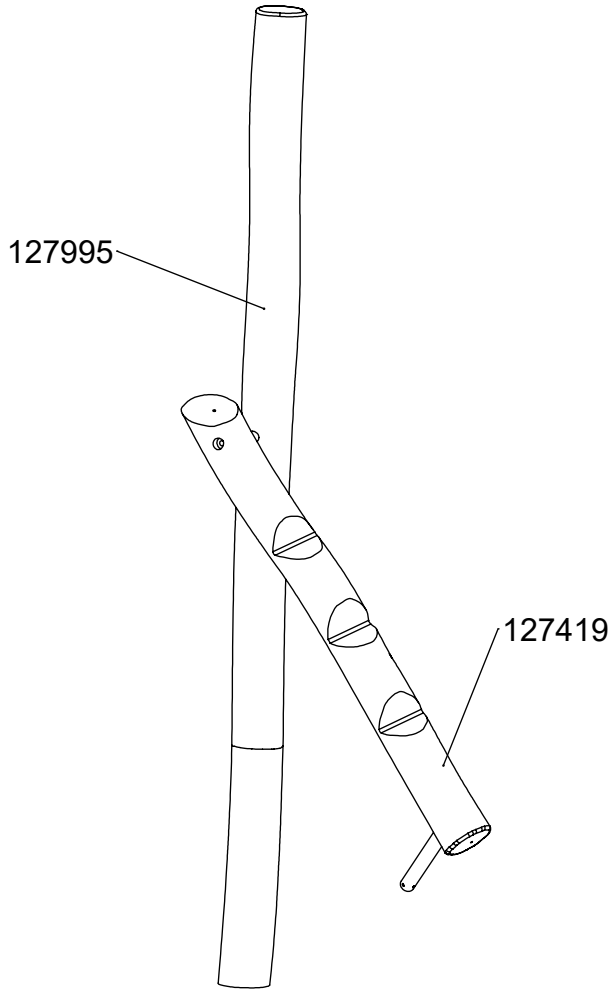
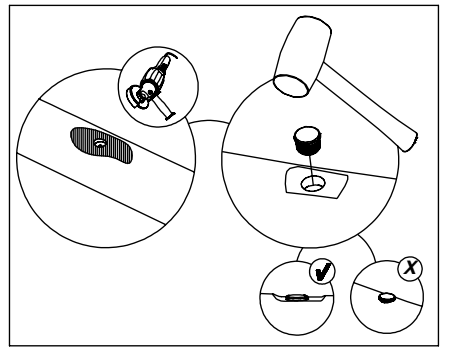
Ø 5,5mm

Ø 5,5

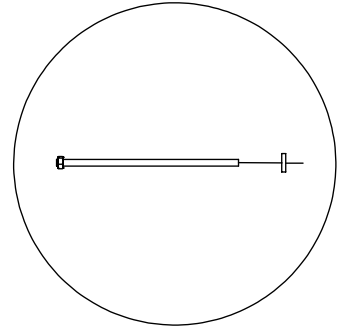
2x 8x50sxi

[cm]

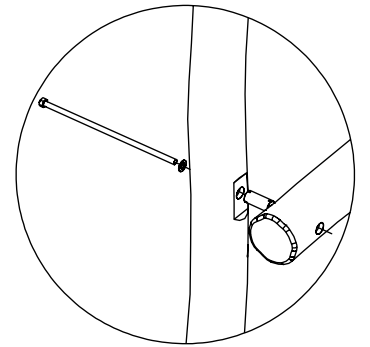
vinci
play



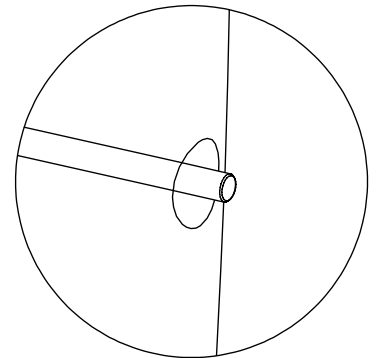
1.



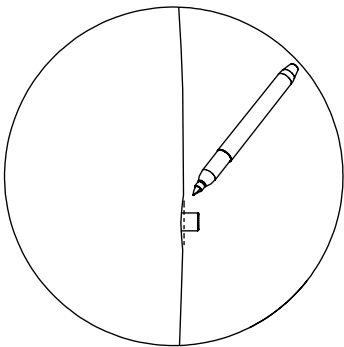
2.



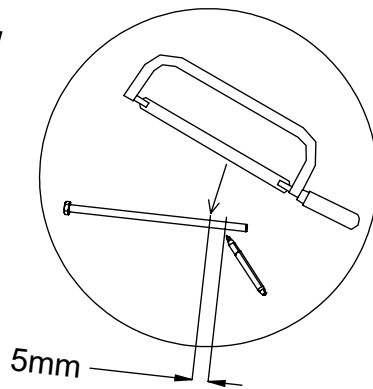
3.



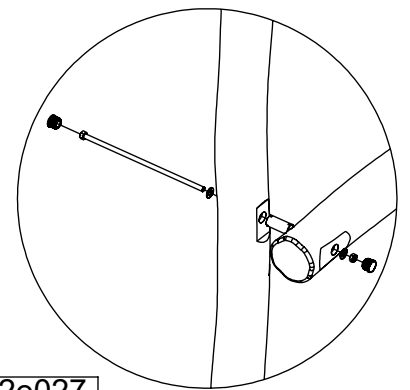
4.



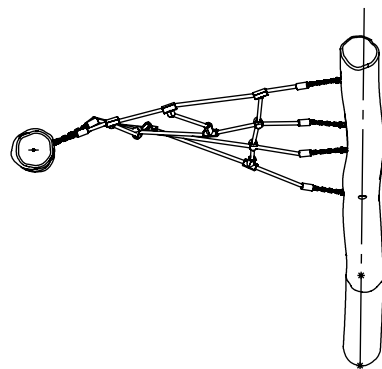
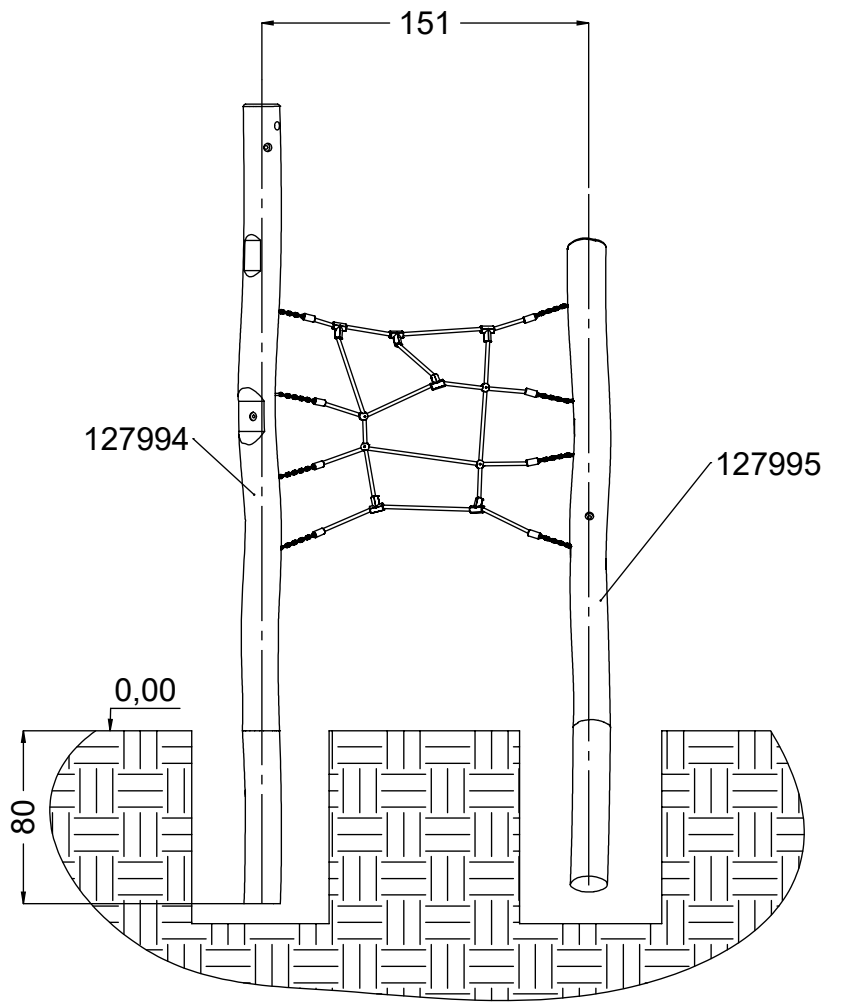
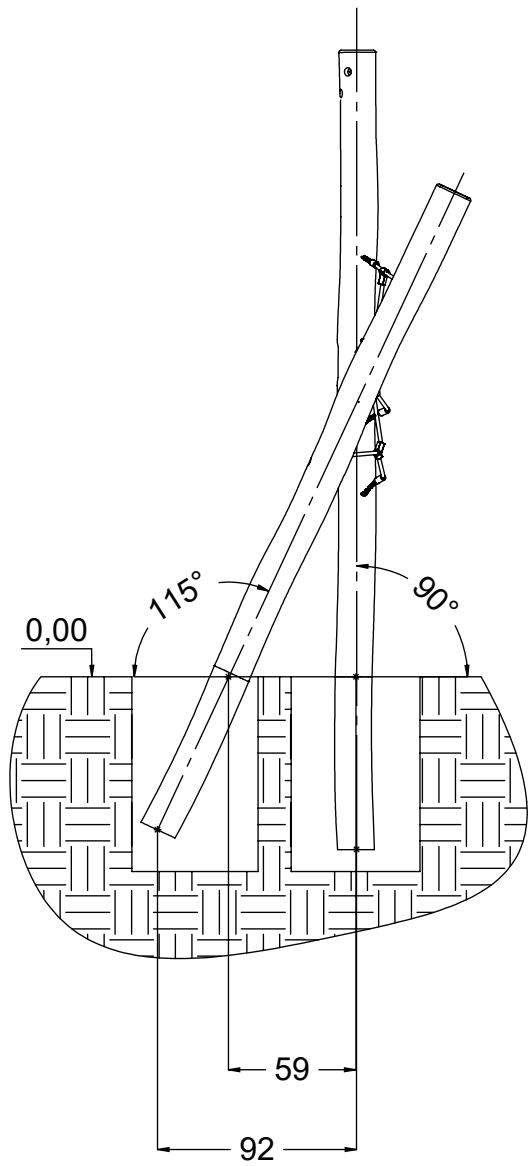
5.



6.



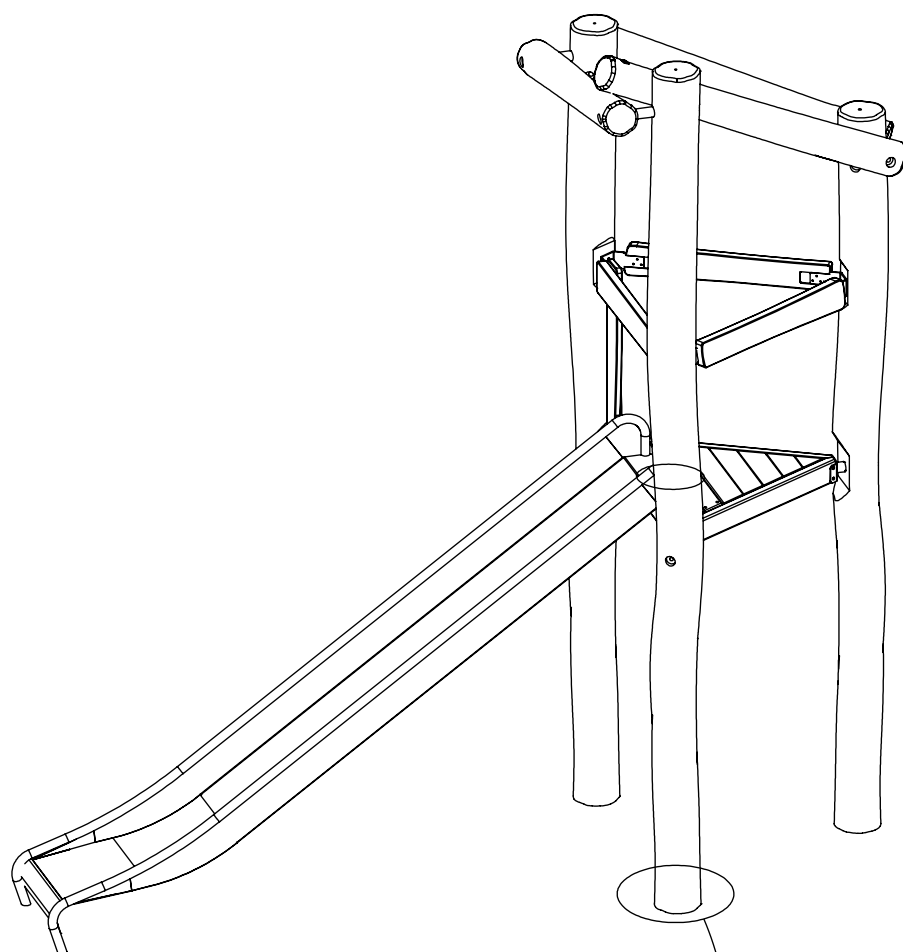
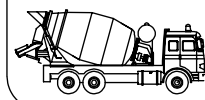
1x 12e027



[cm]

vinci
play

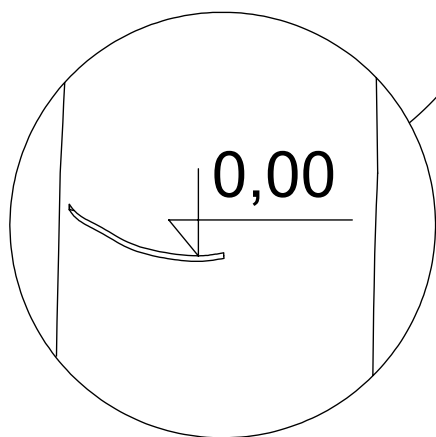
48h



127995

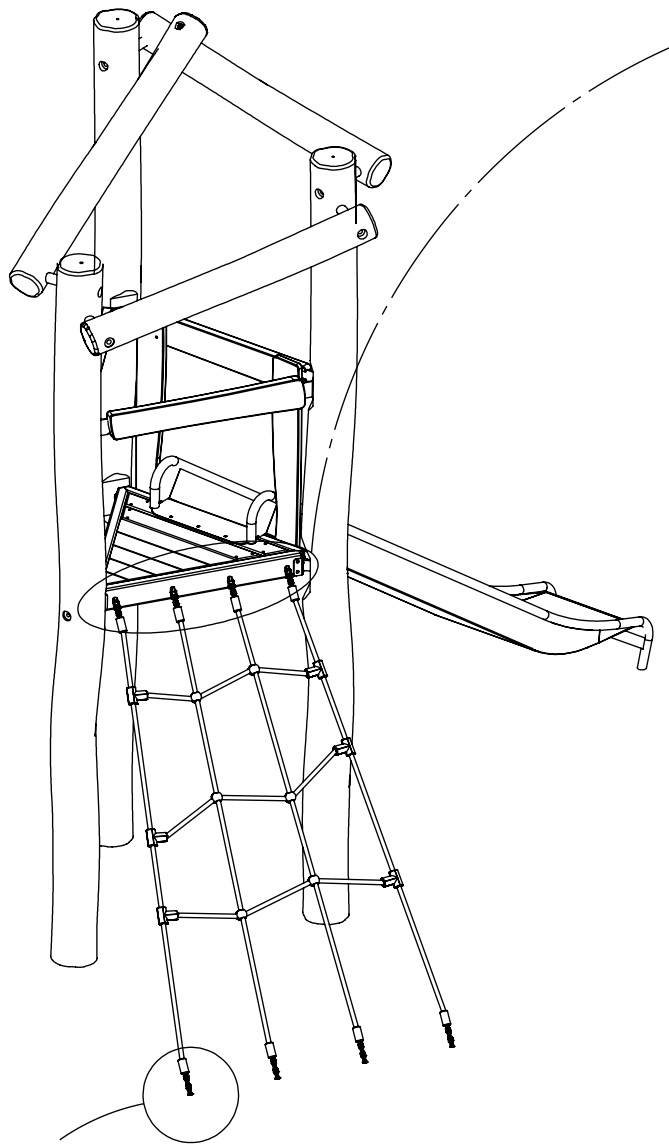
127421

127419

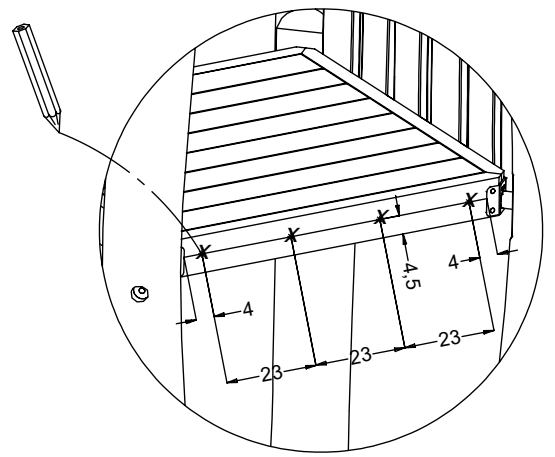


[cm]

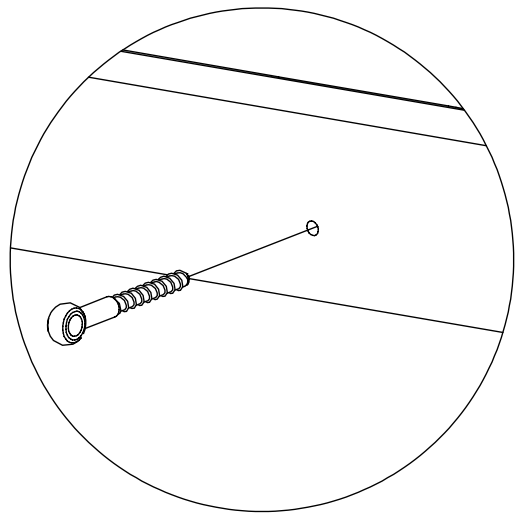
vinci
play



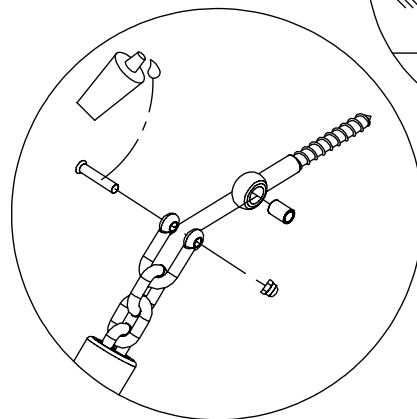
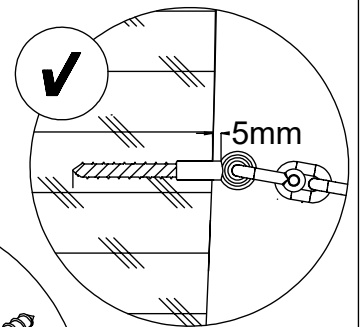
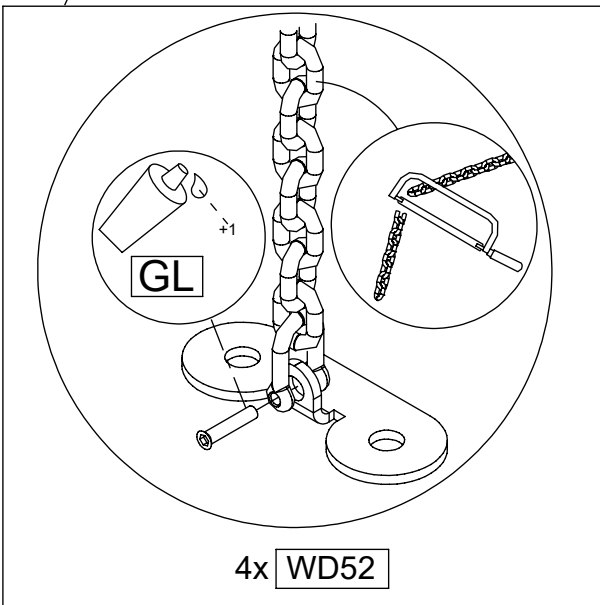
1.



2.



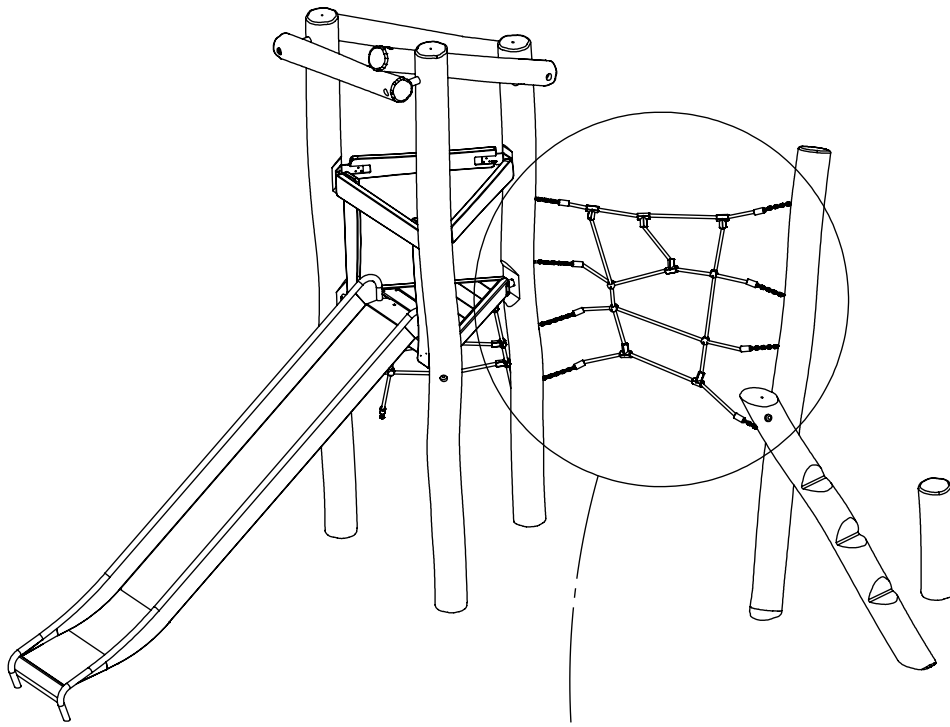
3.



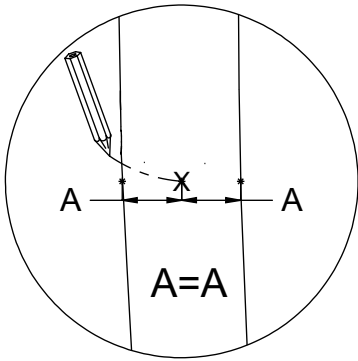
2x 12e007

[cm]

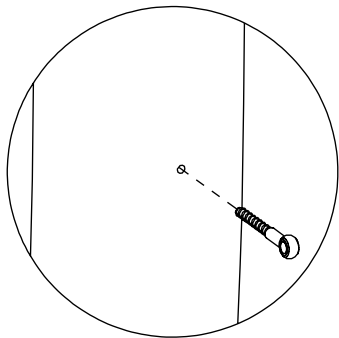
vinci
play



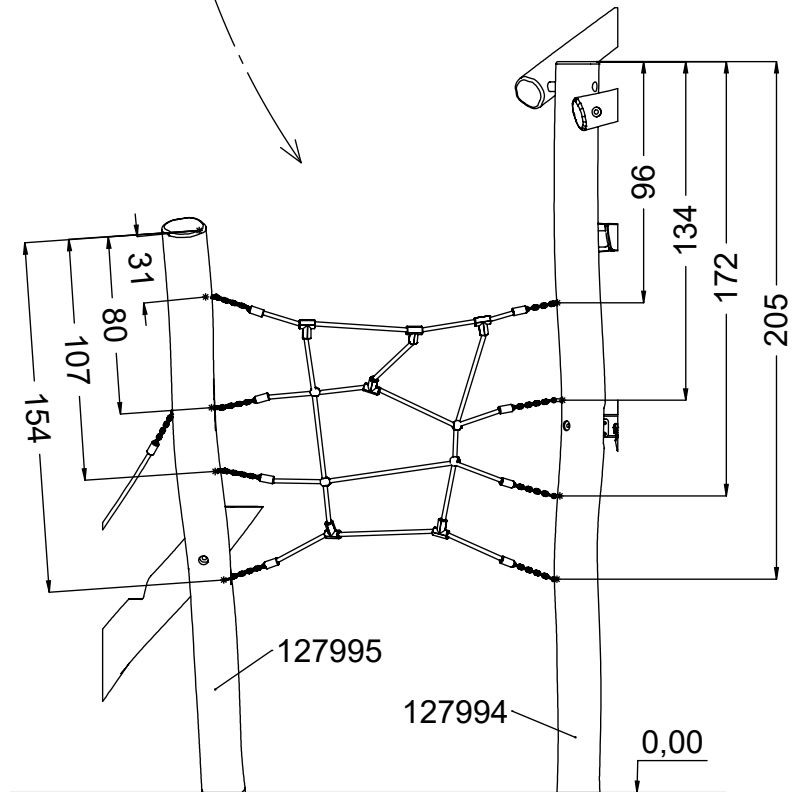
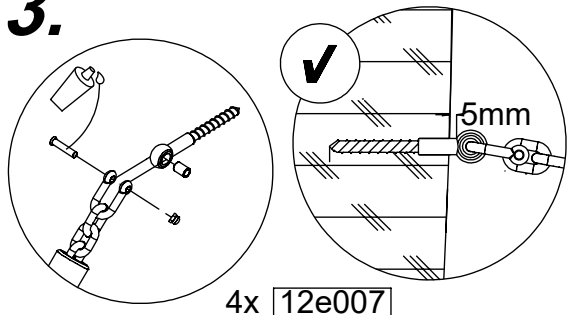
1.



2.

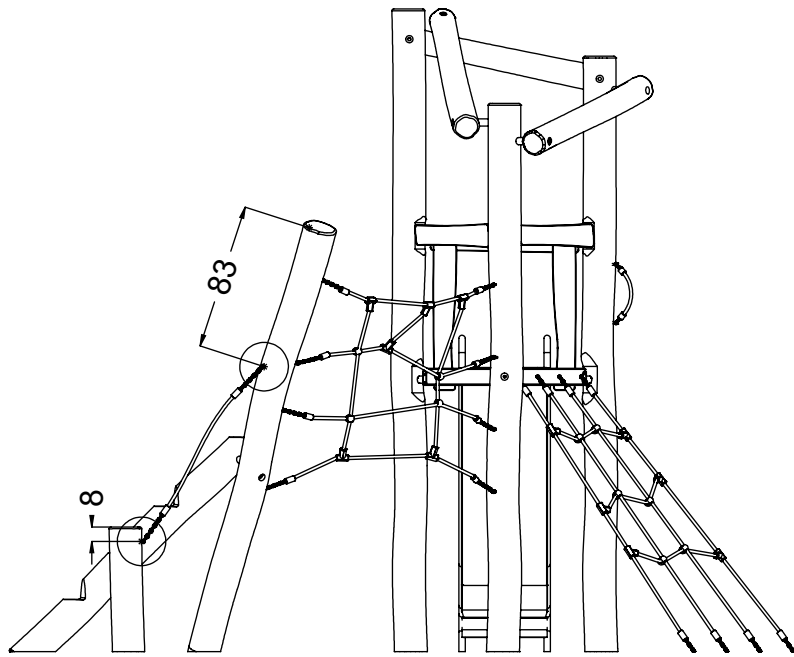
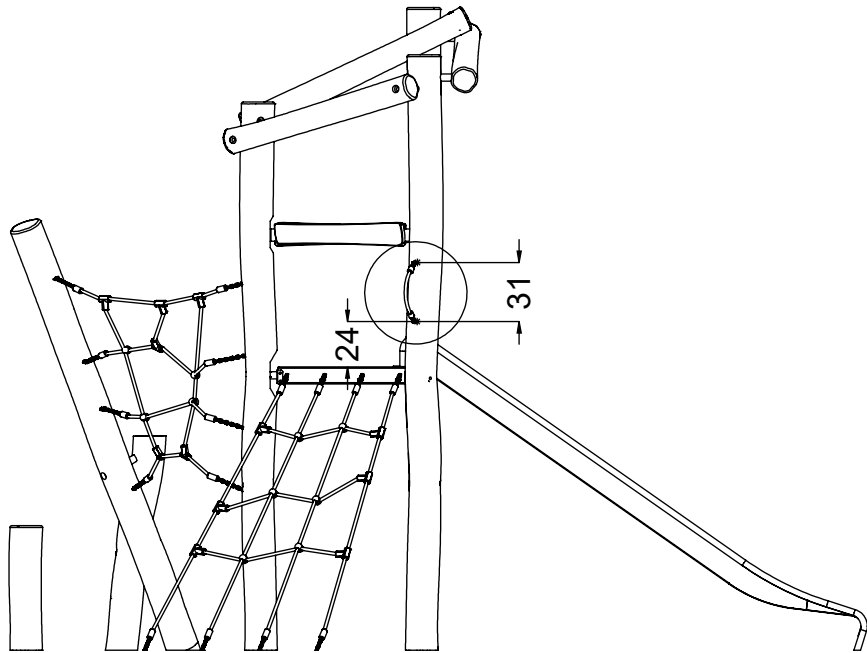


3.

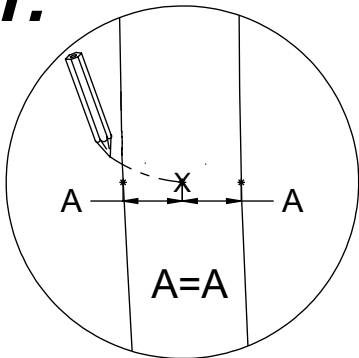


[cm]

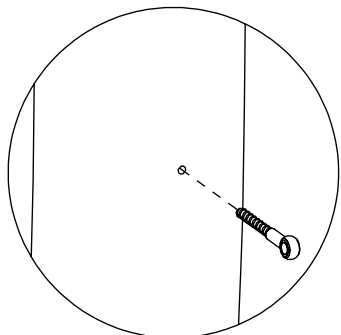
vinci
play



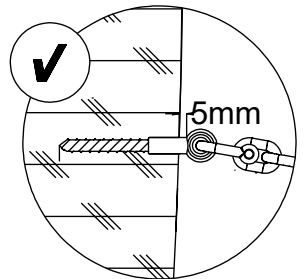
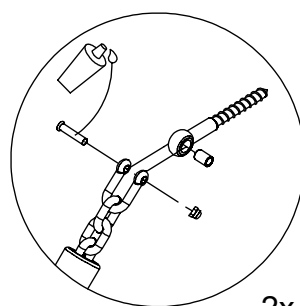
1.



2.



3.

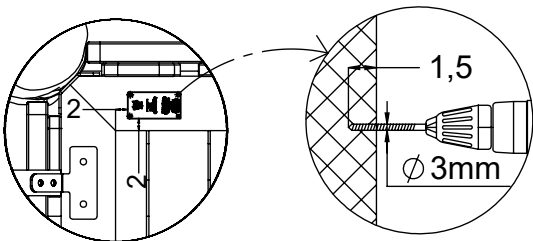
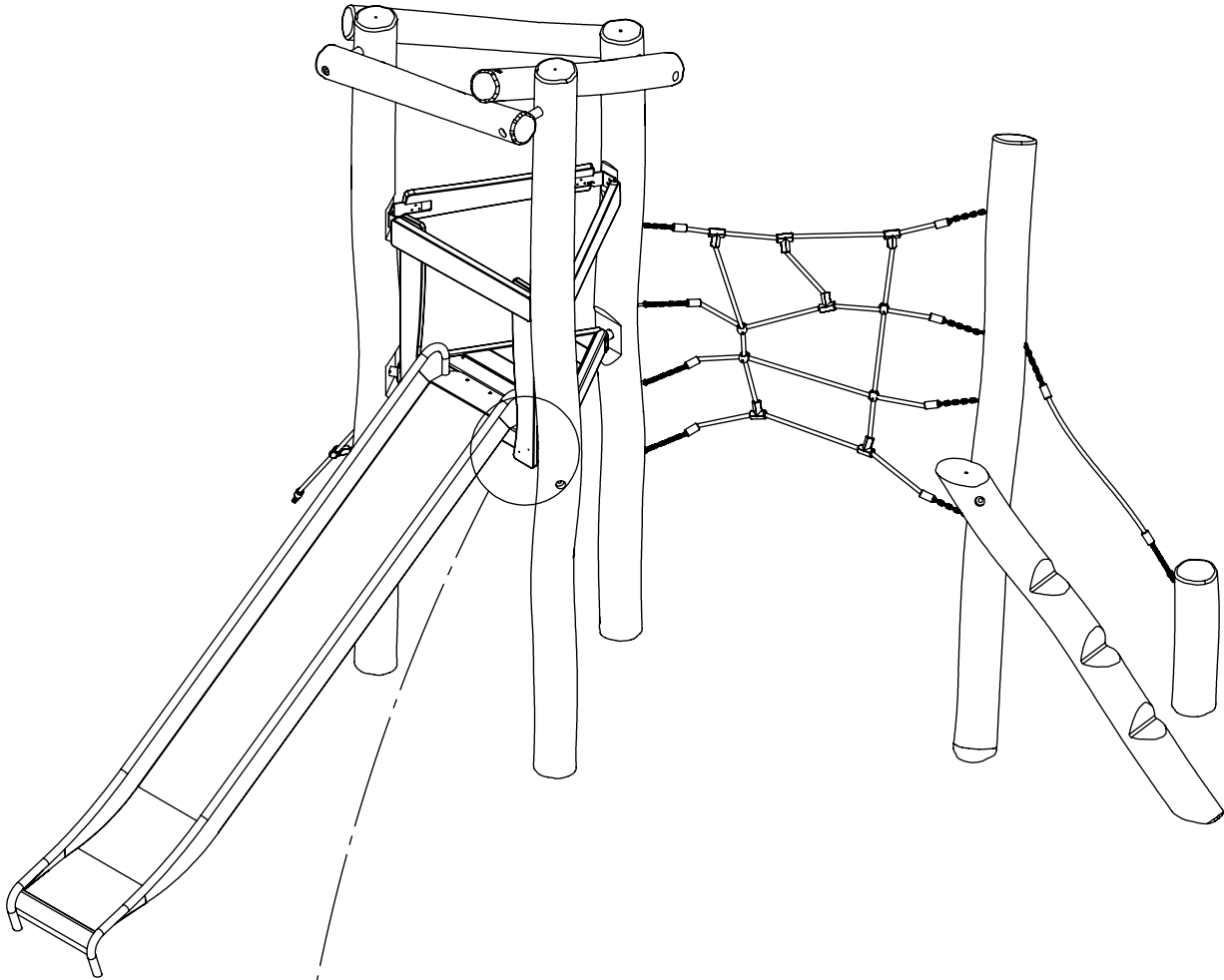
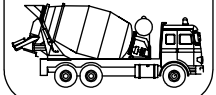


2x 12e007

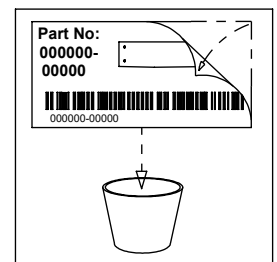
[cm]

vinci
play

48h



V001



[cm]

vinci
play