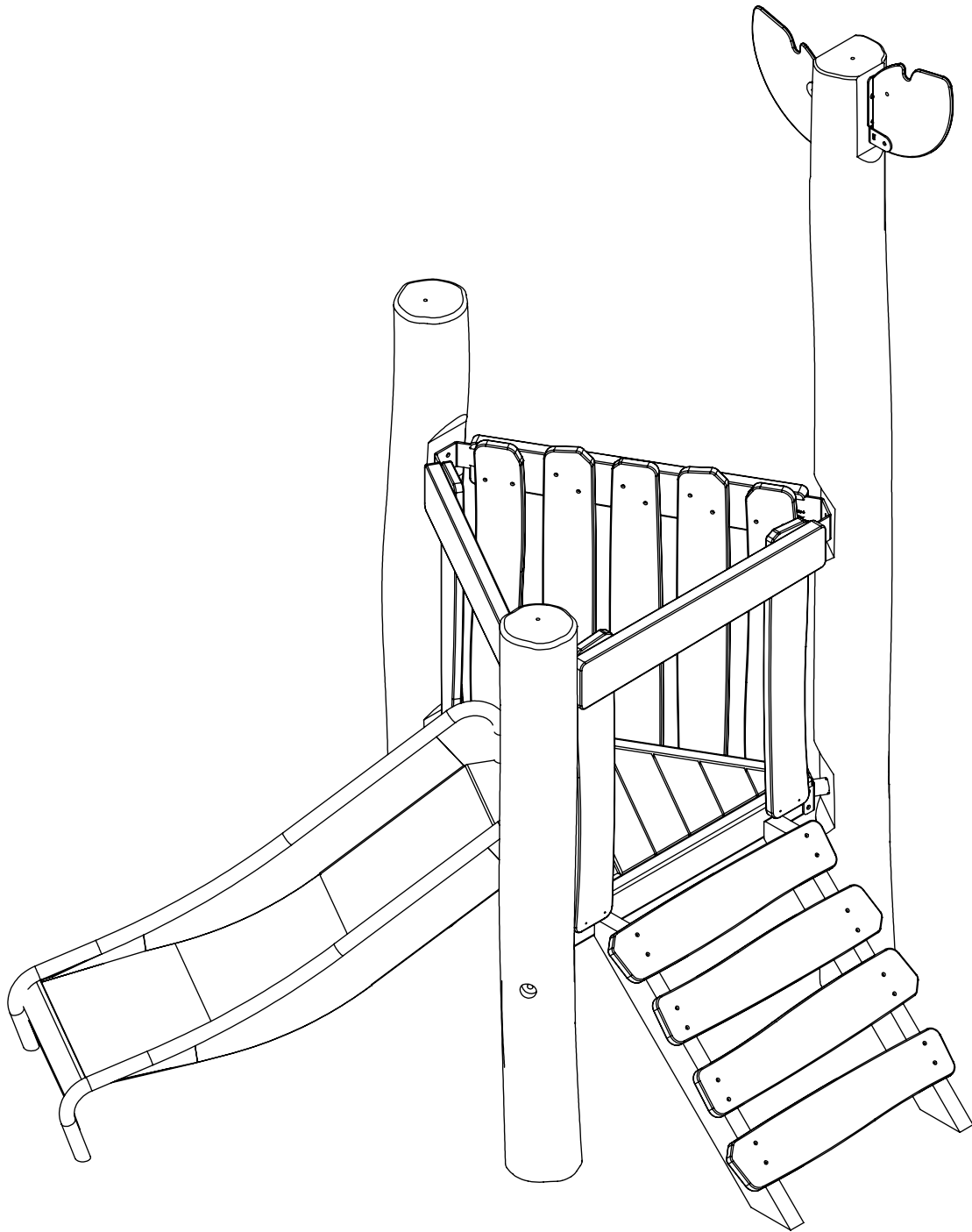
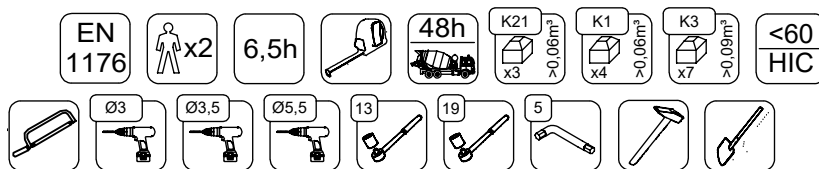


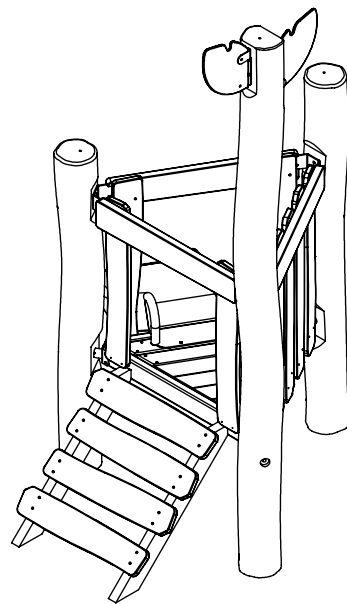
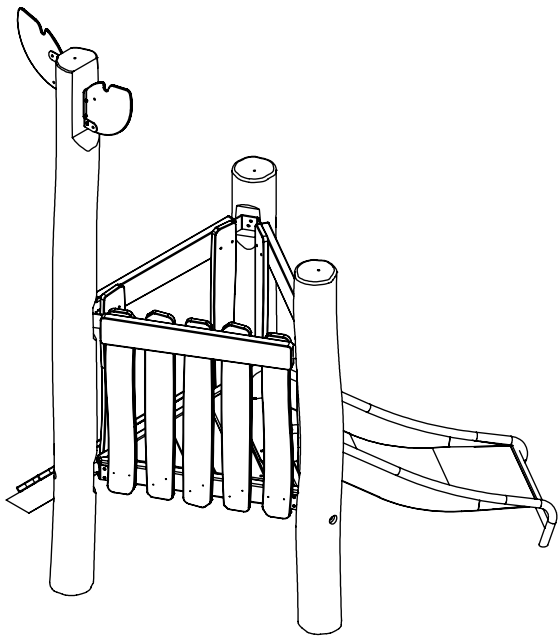
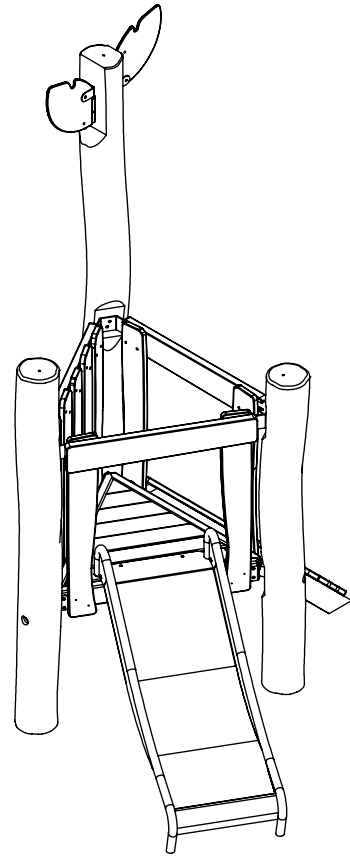
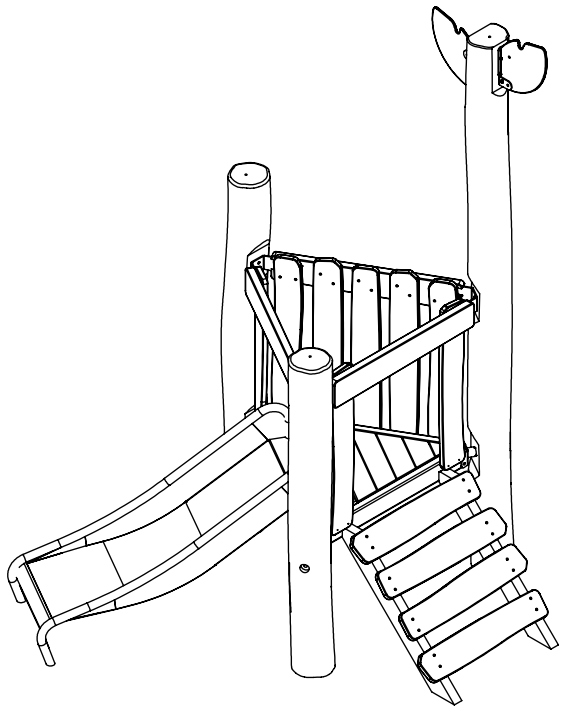
# RB1306



v010  
08.01.2024  
D. P.  
[cm]

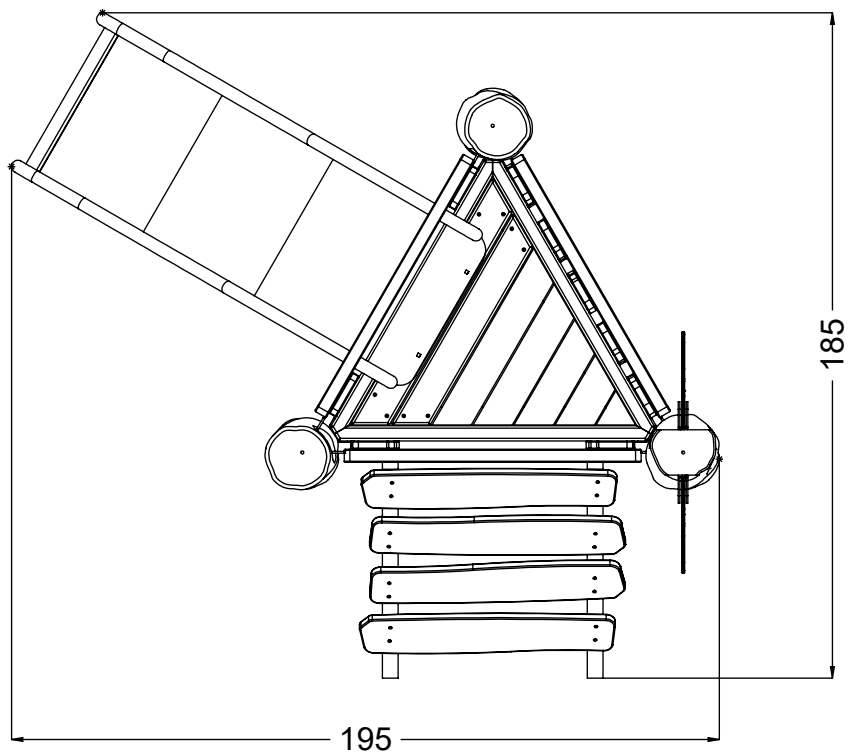
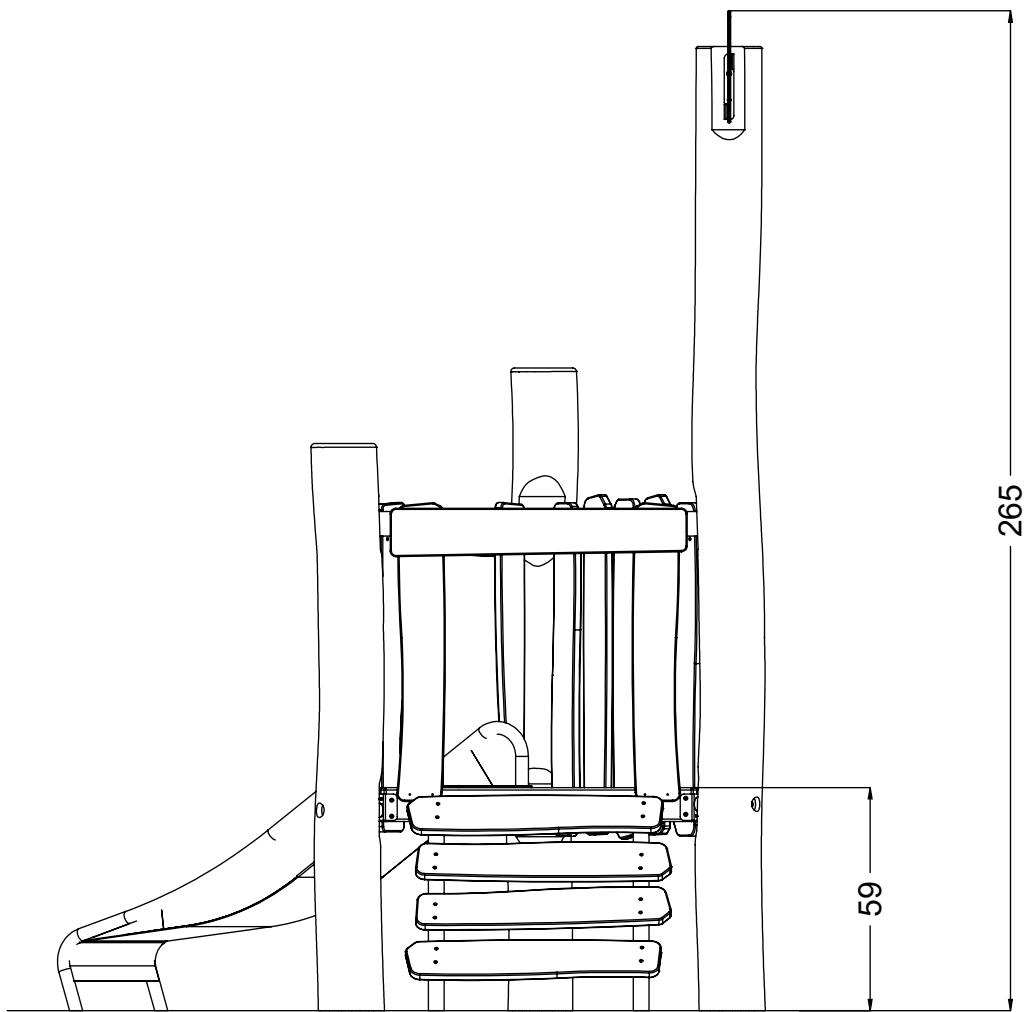


vinci  
play



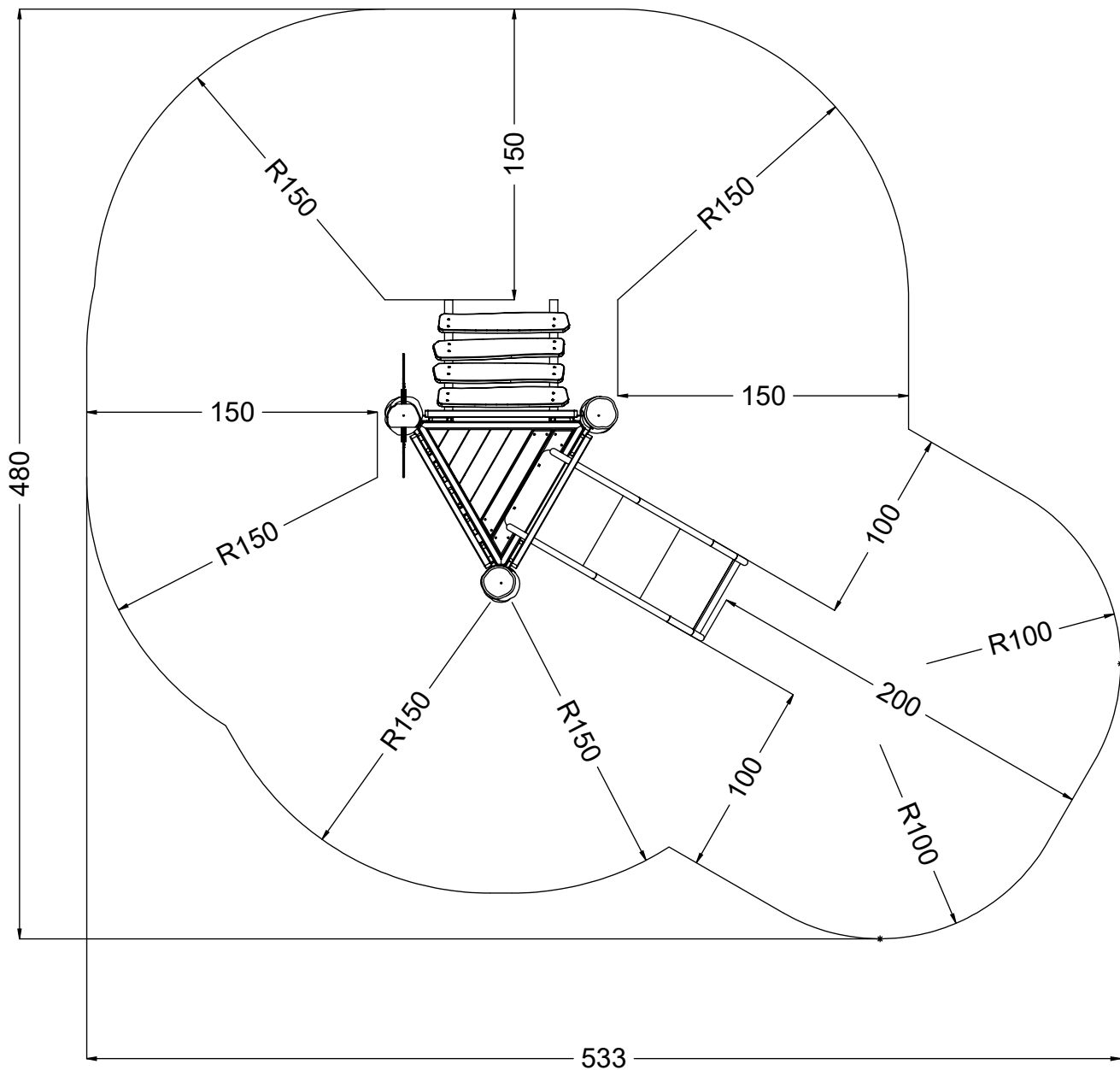
[cm]

vinci  
play



[cm]

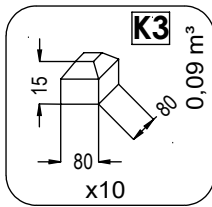
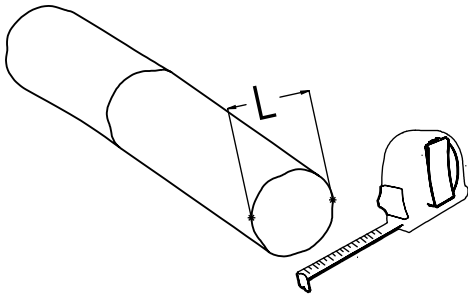
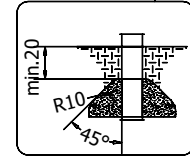
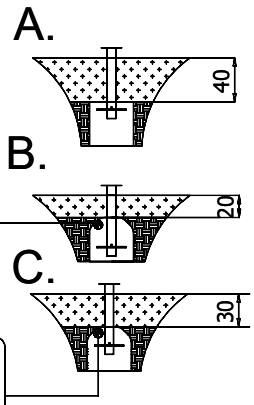
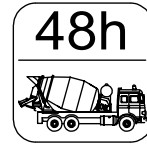
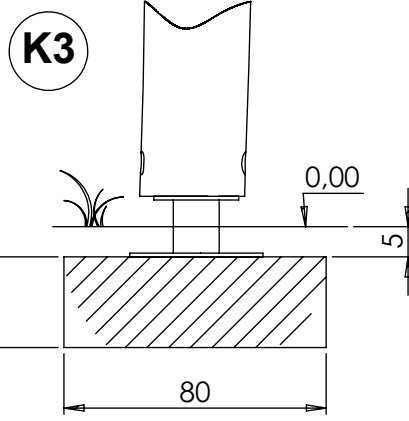
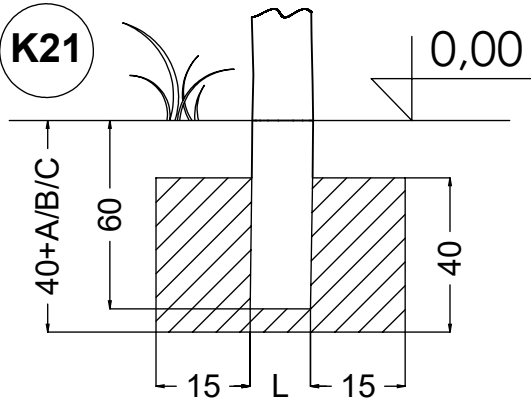
vinci  
play



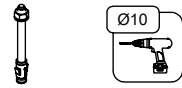
[cm]



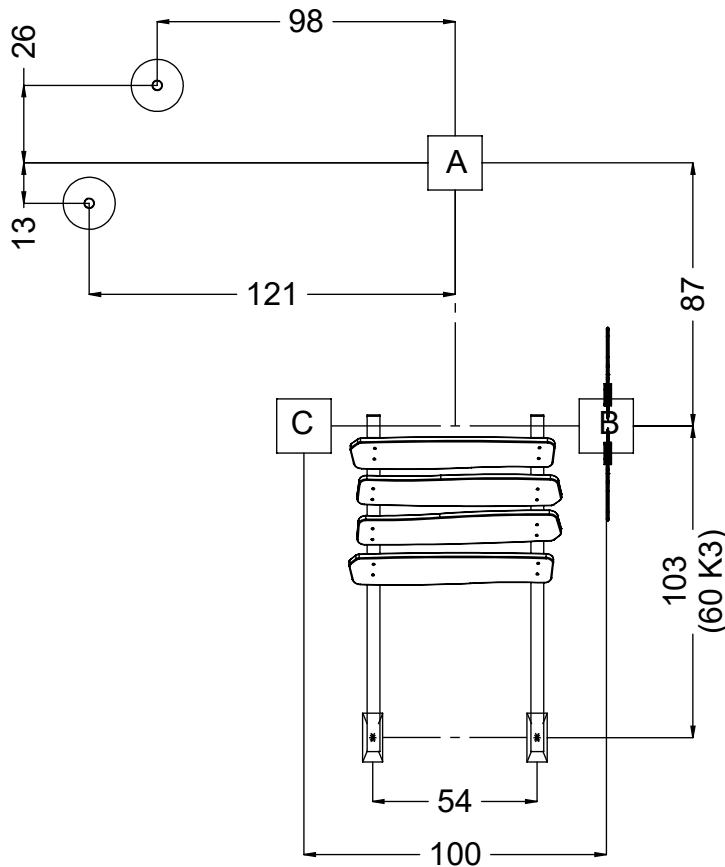
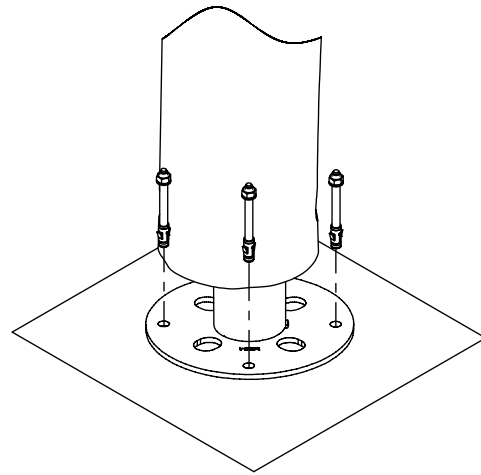
vinci  
play



28x M10x120 (K3)  
6x M8x120 (K3)



**NOT INCLUDED**



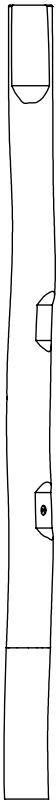
[cm]



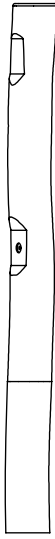
6,5h



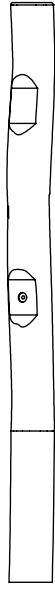
vinci  
play



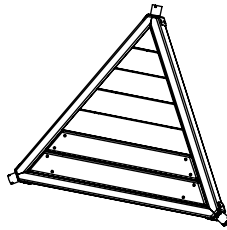
127930 (A)  
x1



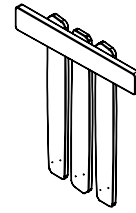
127931 (B)  
x1



127932 (C)  
x1



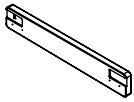
124108  
x1



124104  
x1



128181  
x2



128107  
x2



128113  
x1



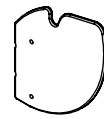
128179  
x1



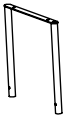
128103  
x1



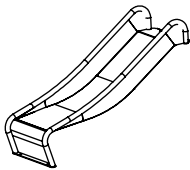
128178  
x1



121199  
x2



992161  
x1

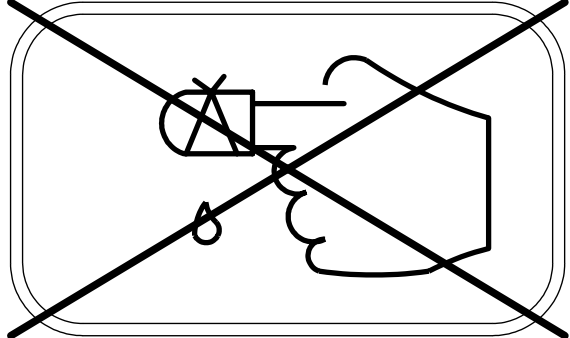
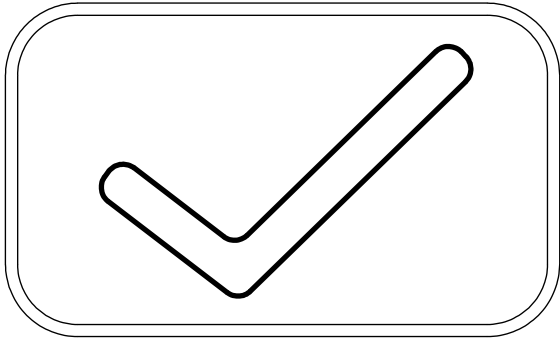
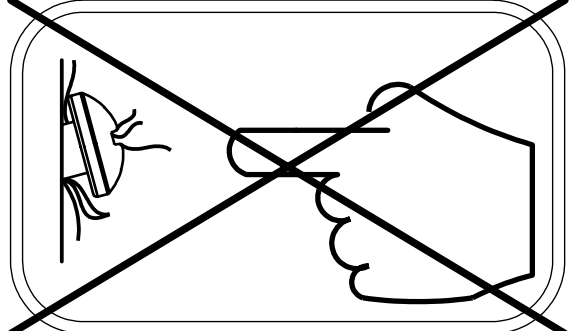
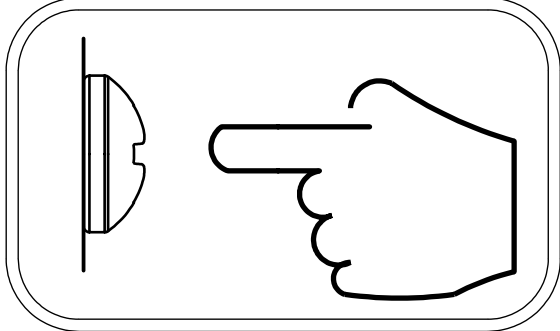
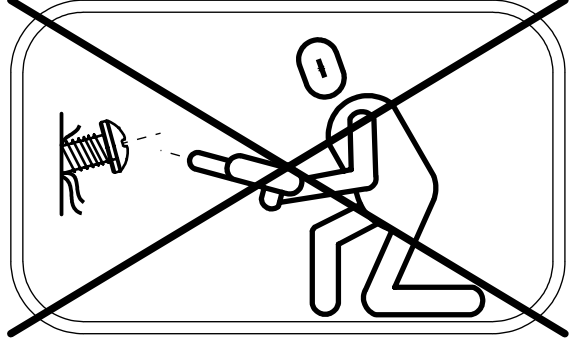
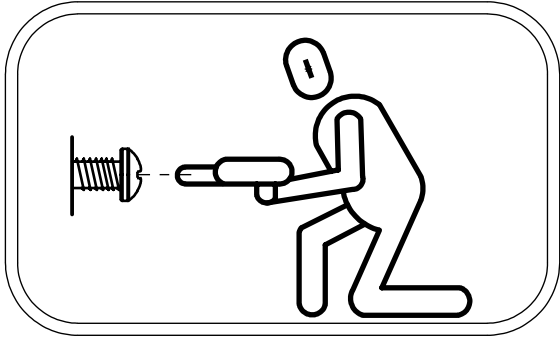


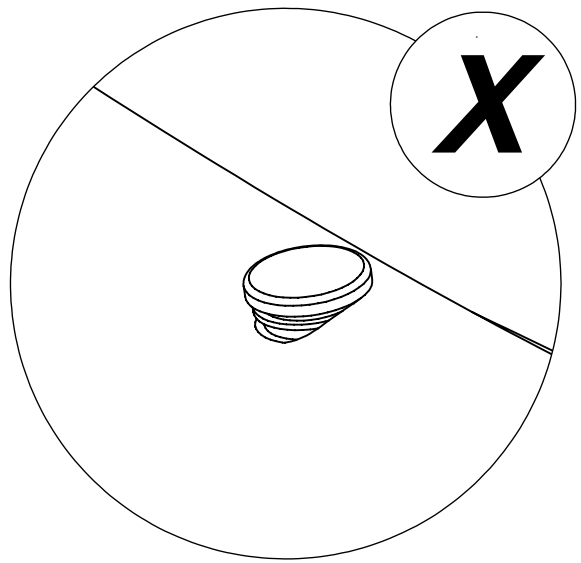
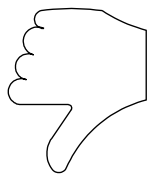
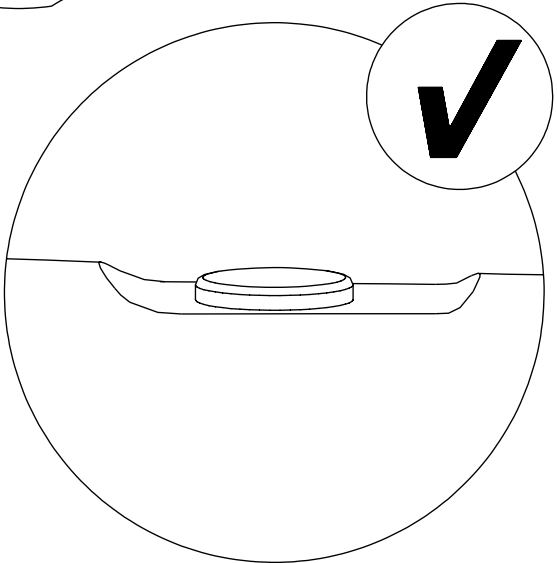
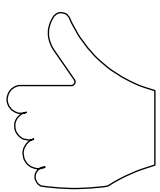
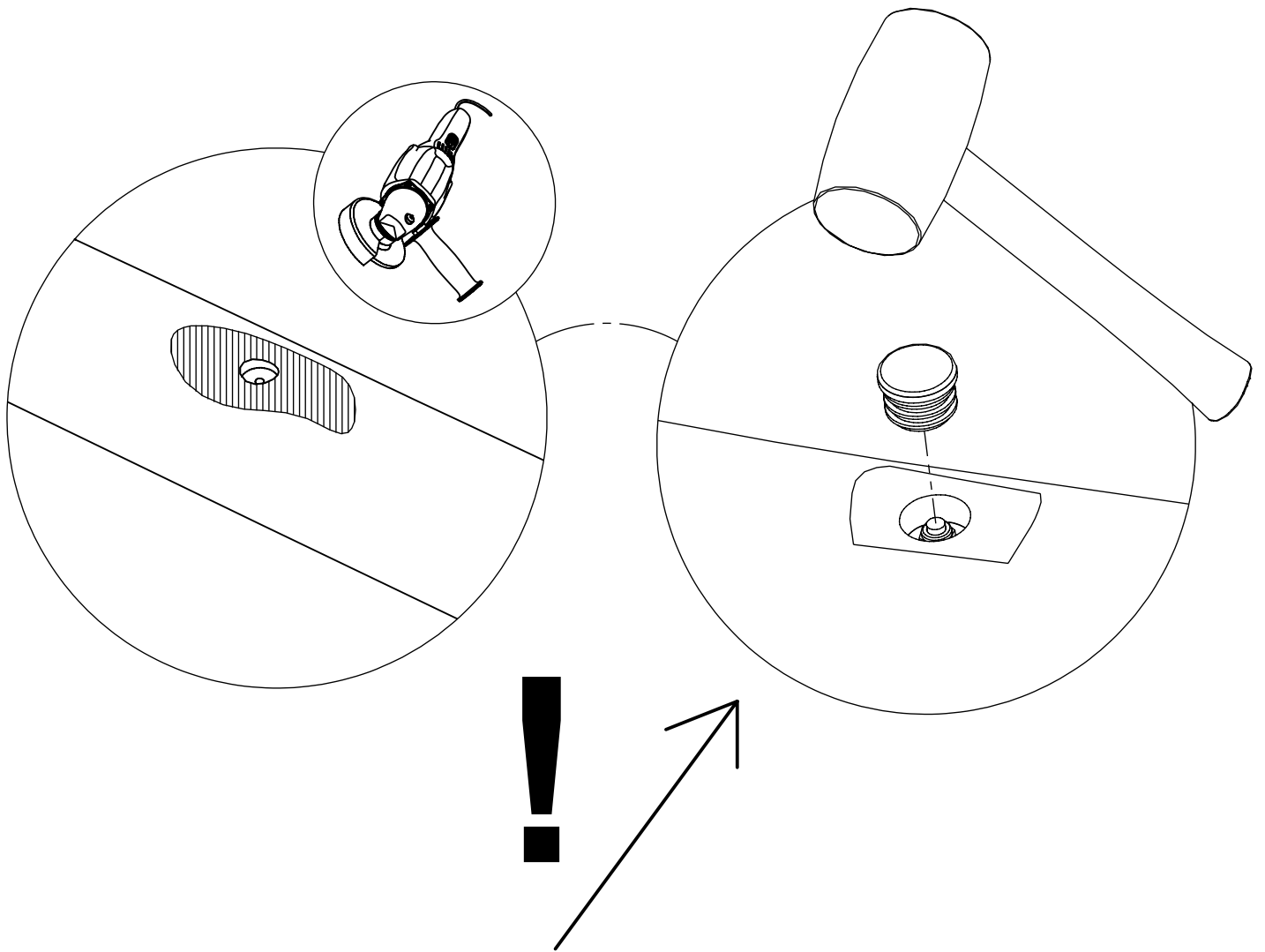
994191  
x1

<b>K1</b>	<b>K3</b>
124184 x1	124185 x1

18x	5x30 sxs
30x	5x50 sxs
18x	8x50 sxi
4x	7x35 sxi (K3)
12x	8x120 sxi (K3)

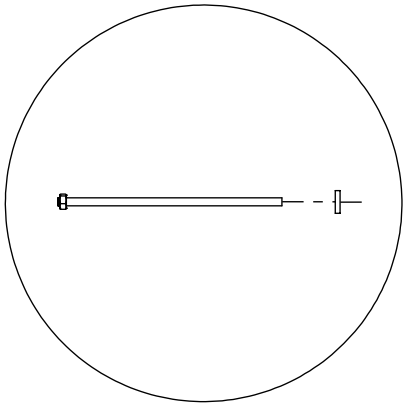
1x	12e003
1x	12e019
1x	12e030 (K21)
3x	12e109 (K3)
2x	i030
2x	WD213
2x	b392
3x	b405
4x	i128 (K3)
1x	V001



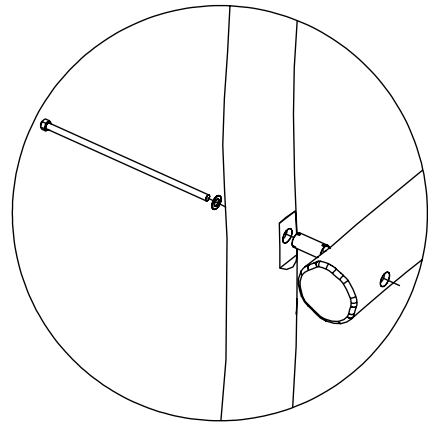




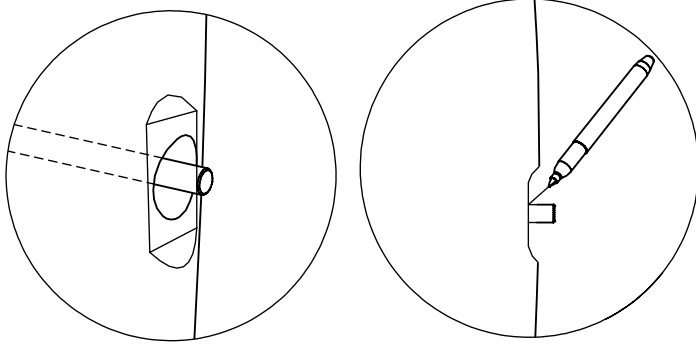
1.



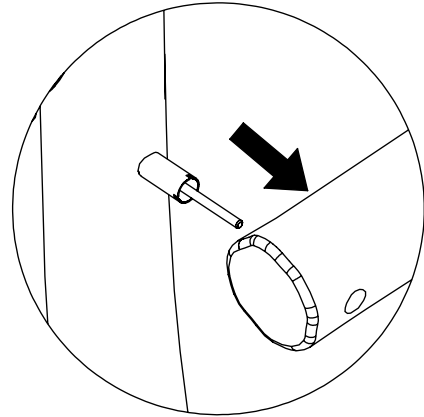
2.



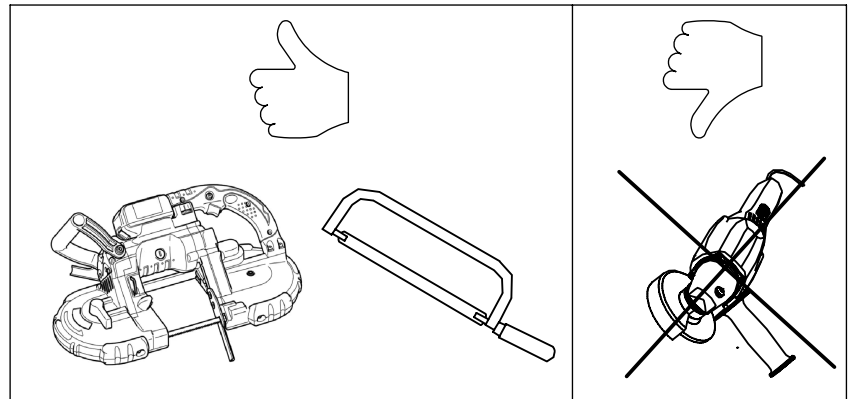
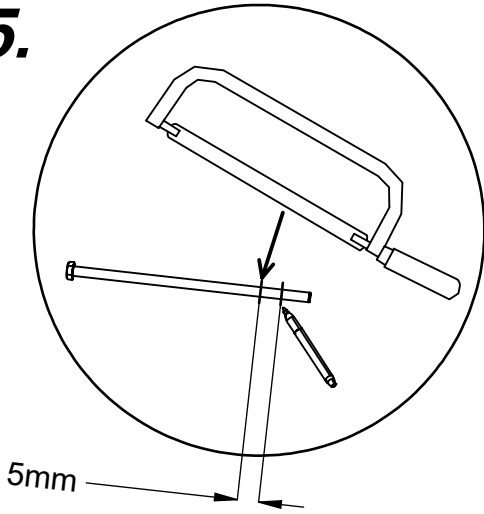
3.



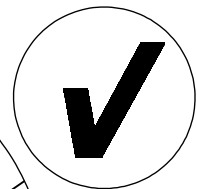
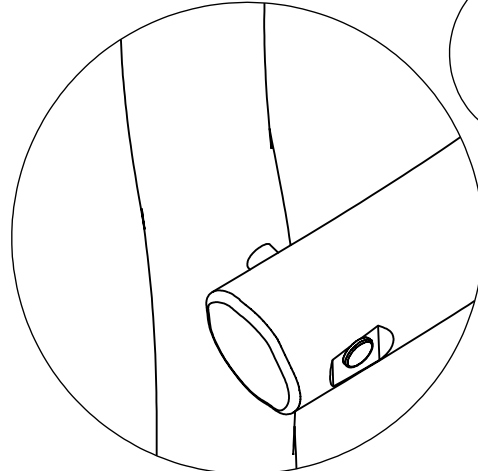
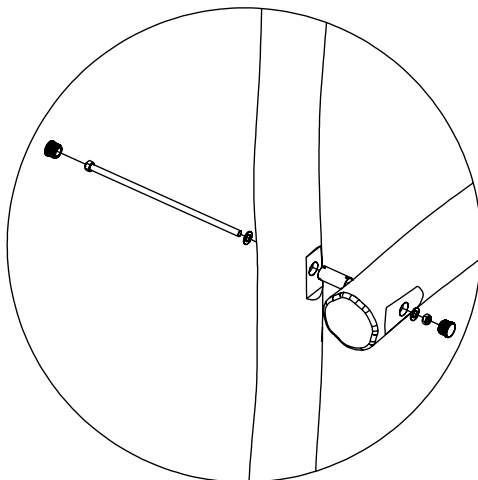
4.



5.

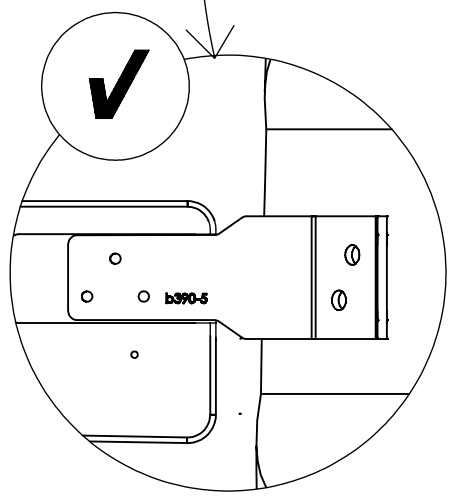
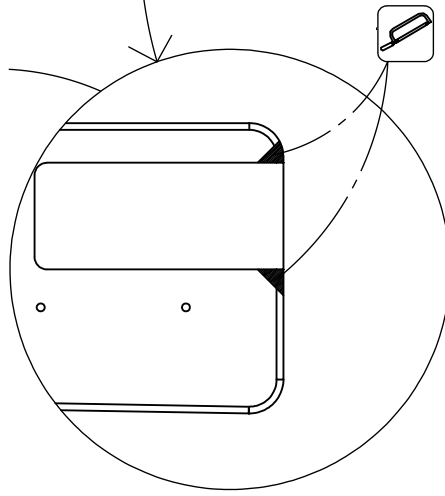
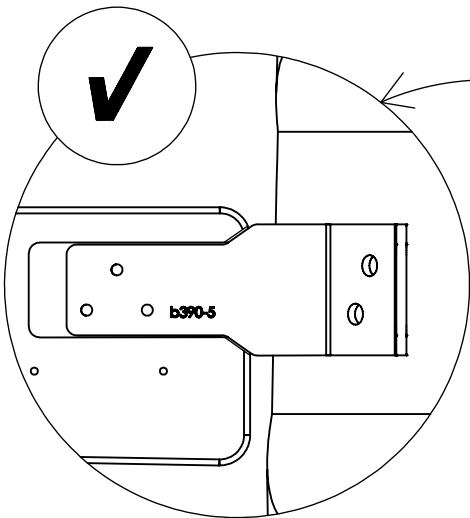
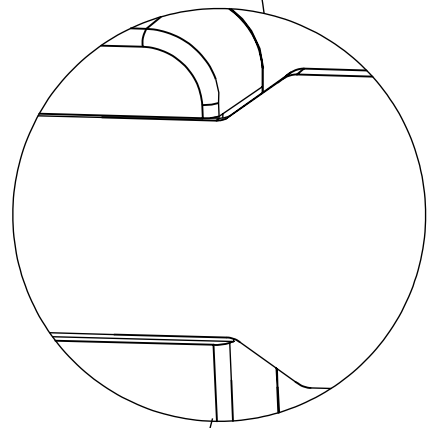
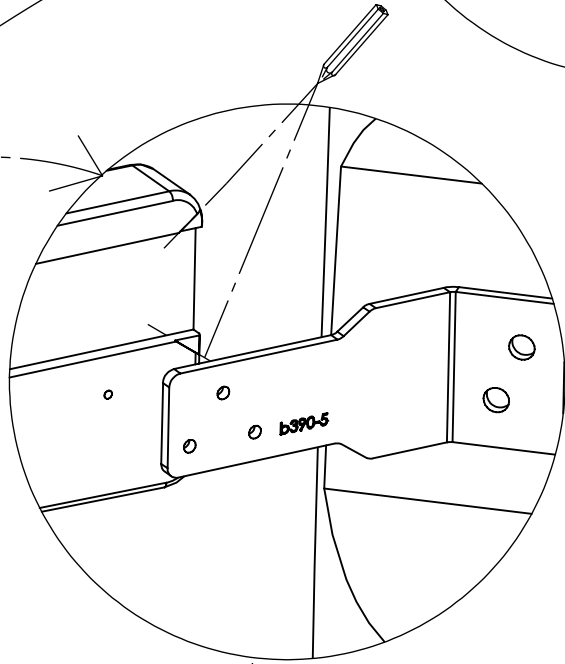
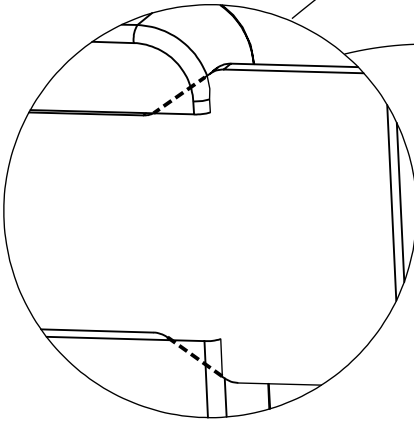
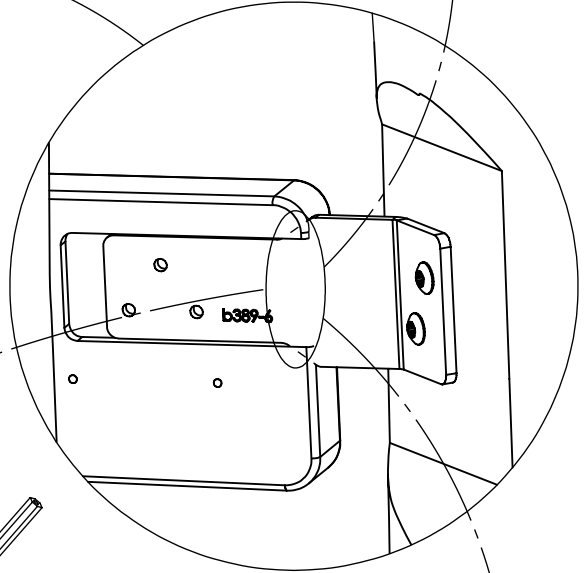
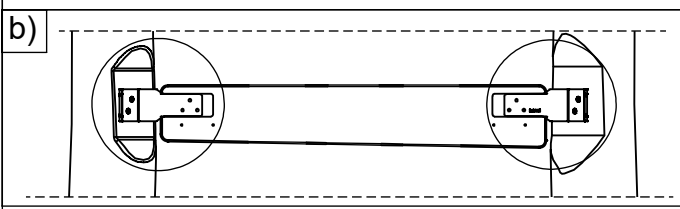
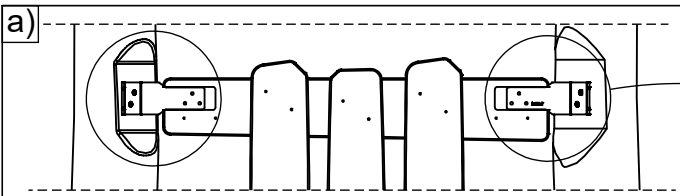


6.



[cm]

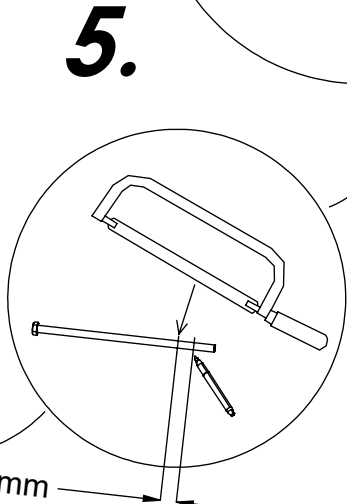
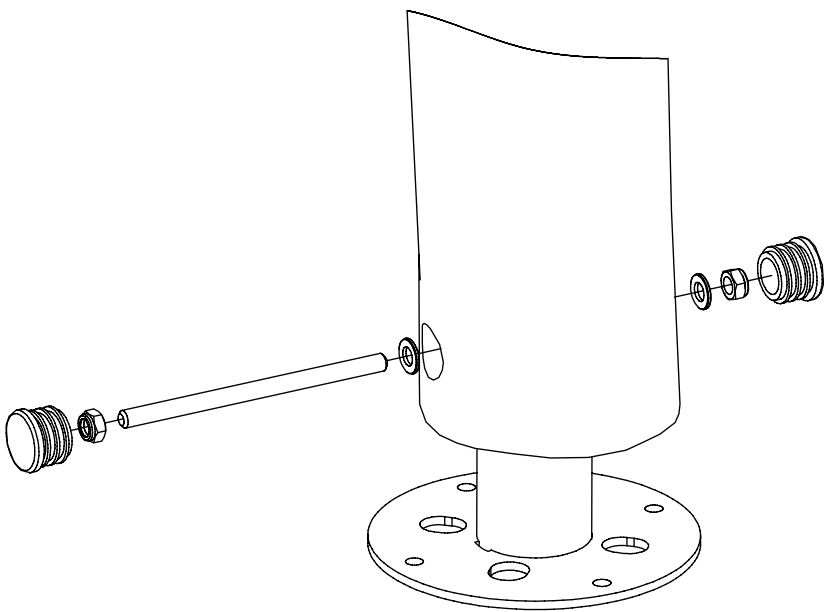
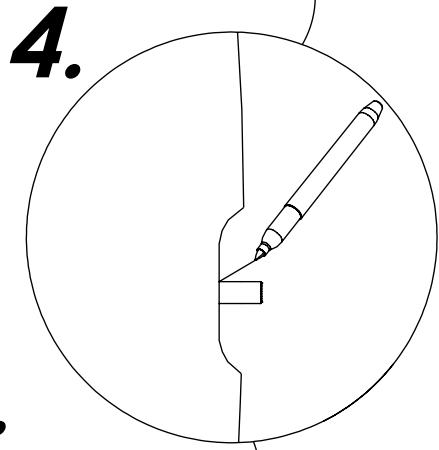
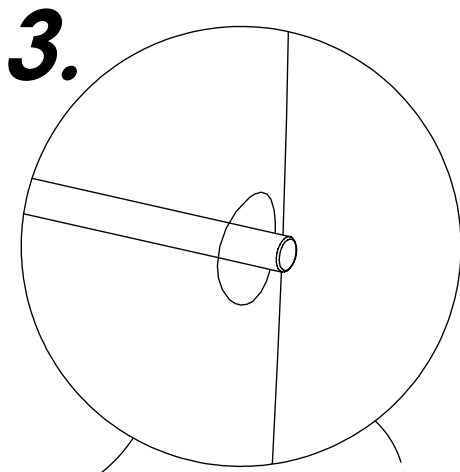
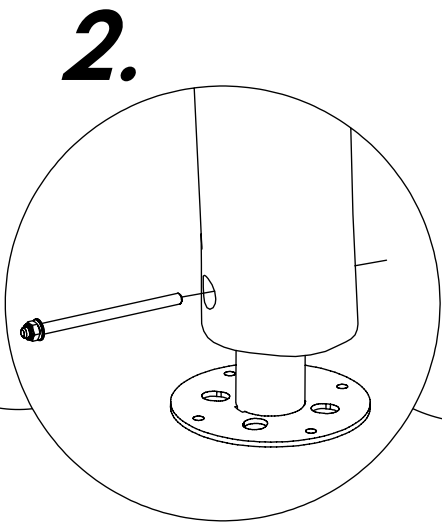
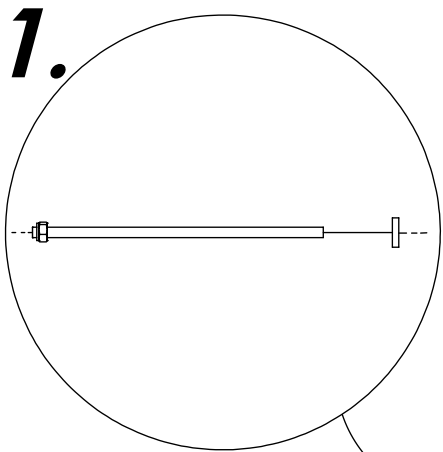
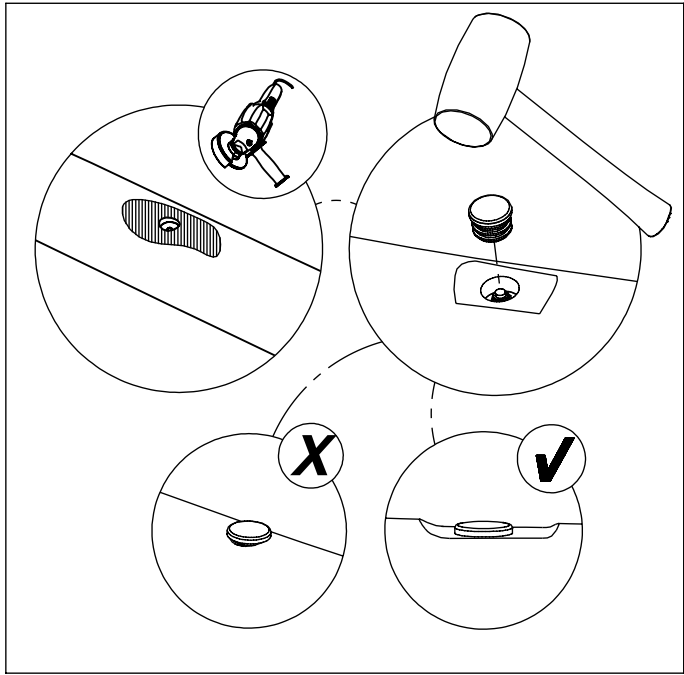
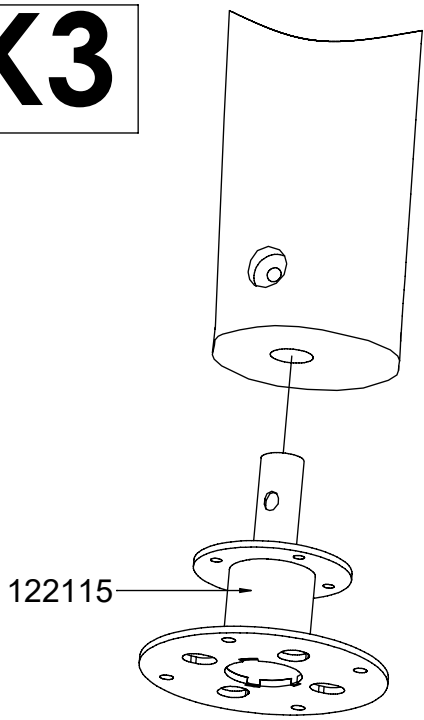
vinci play



[cm]

vinci  
play

# K3



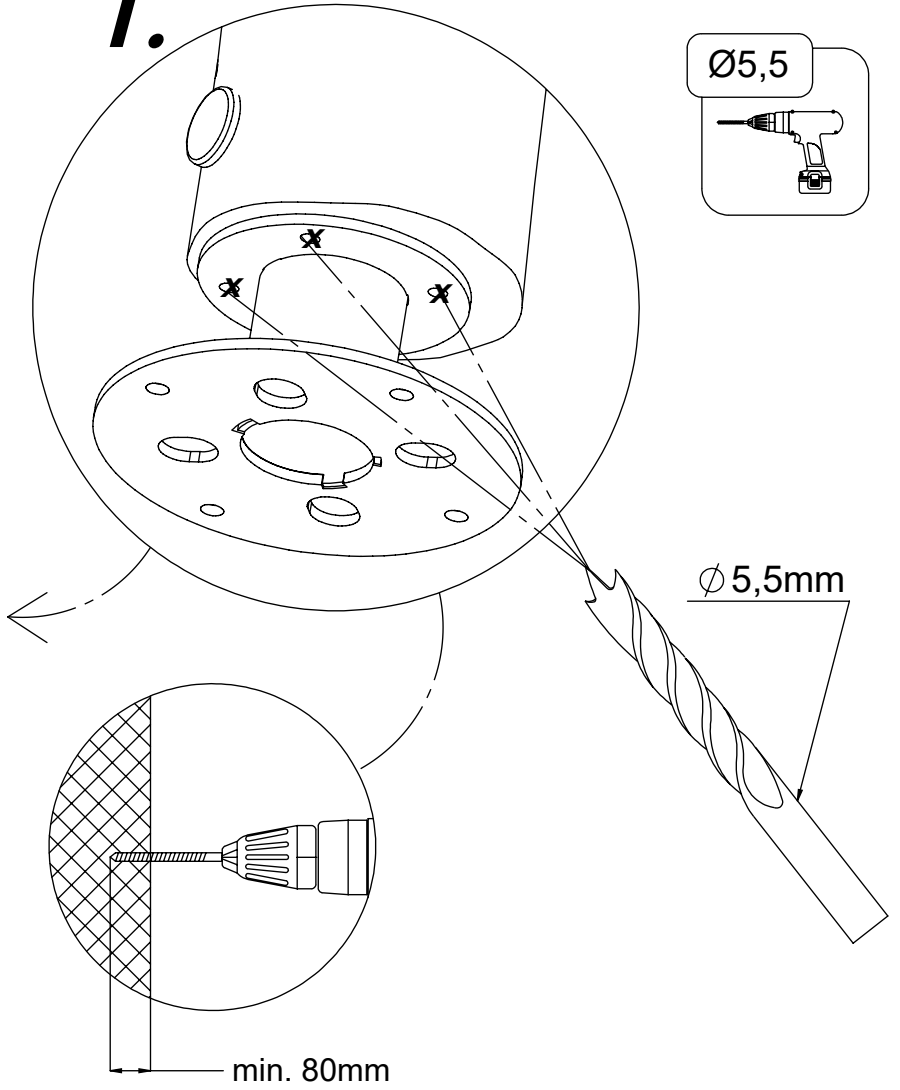
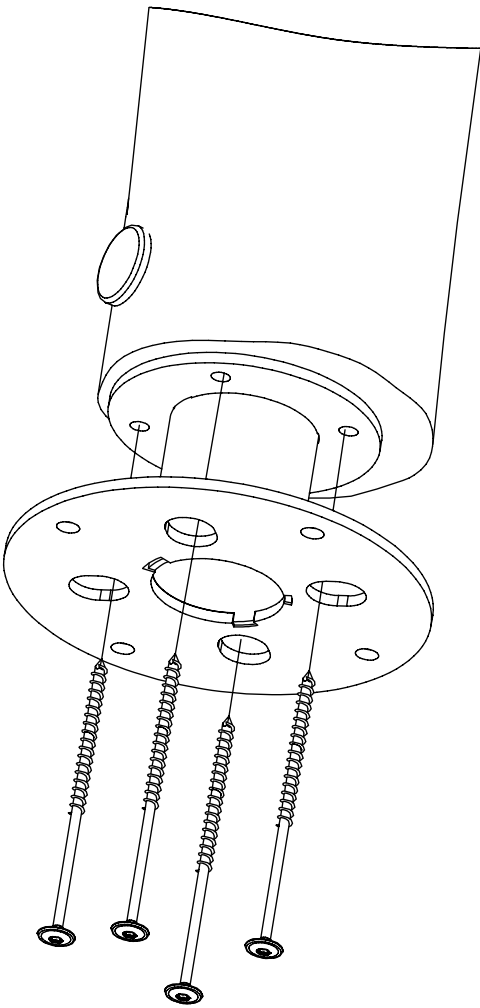
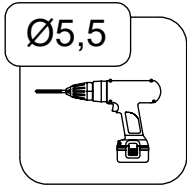
[cm]

12e109

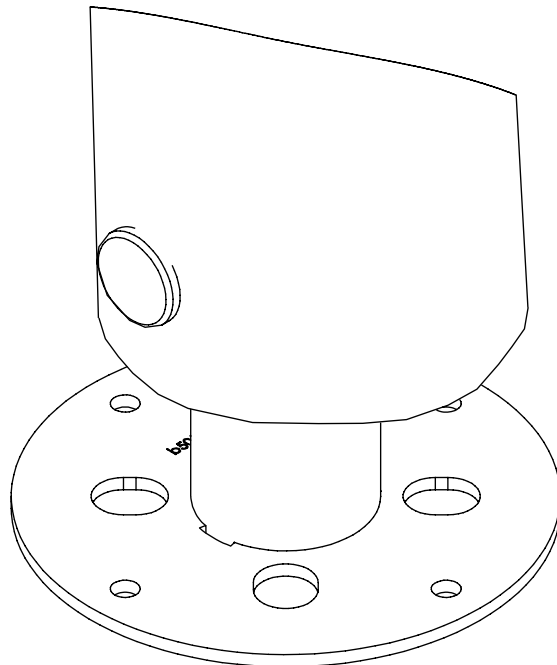
vinci  
play

# K3

# 1.



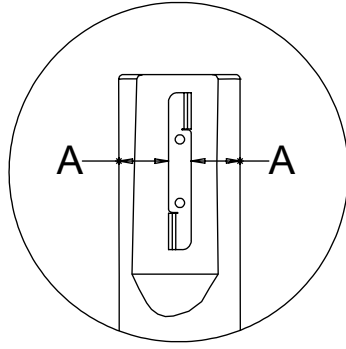
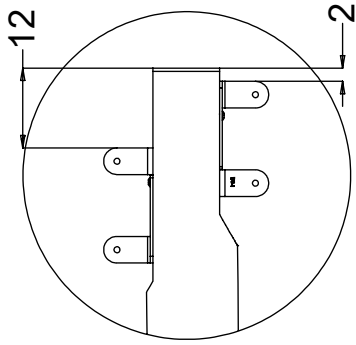
8x120sxt



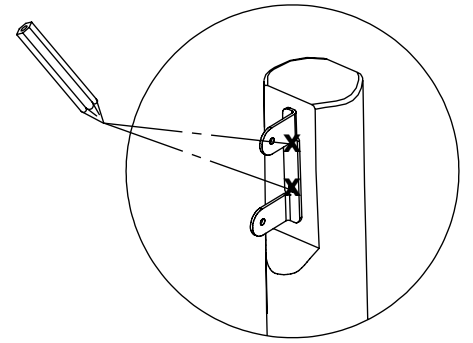
[cm]

vinci  
play

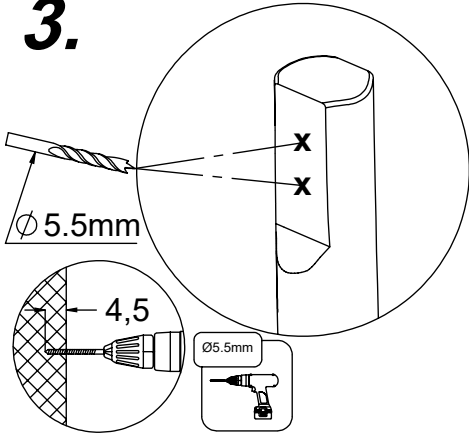
1.



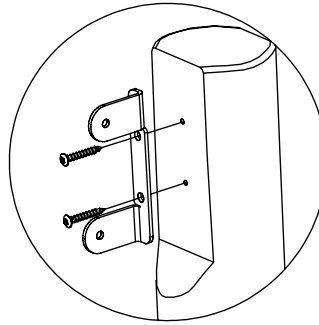
2.



3.

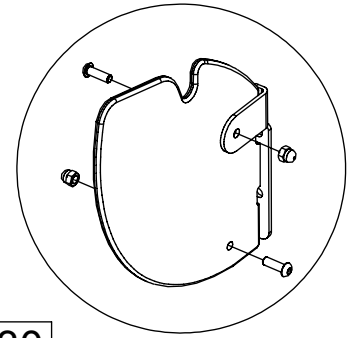


4.



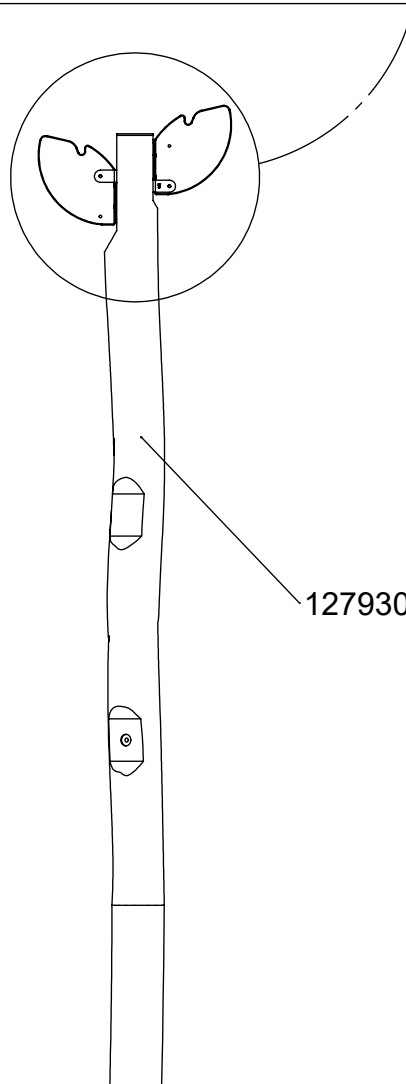
4x 8x50sxi

5.



2x i030

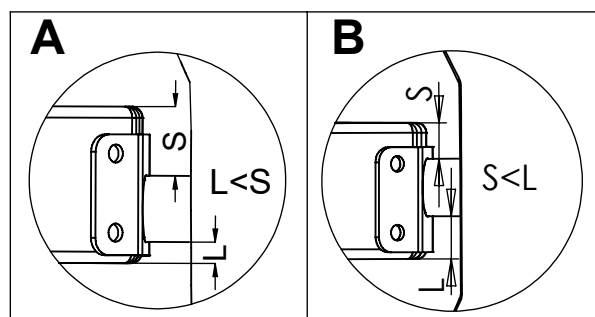
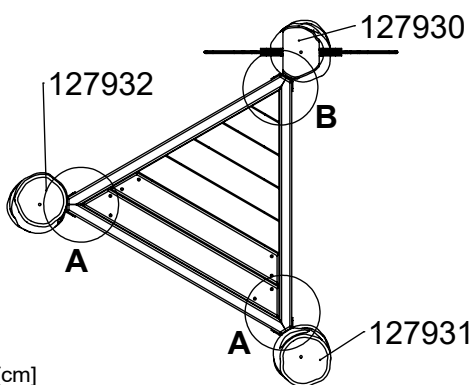
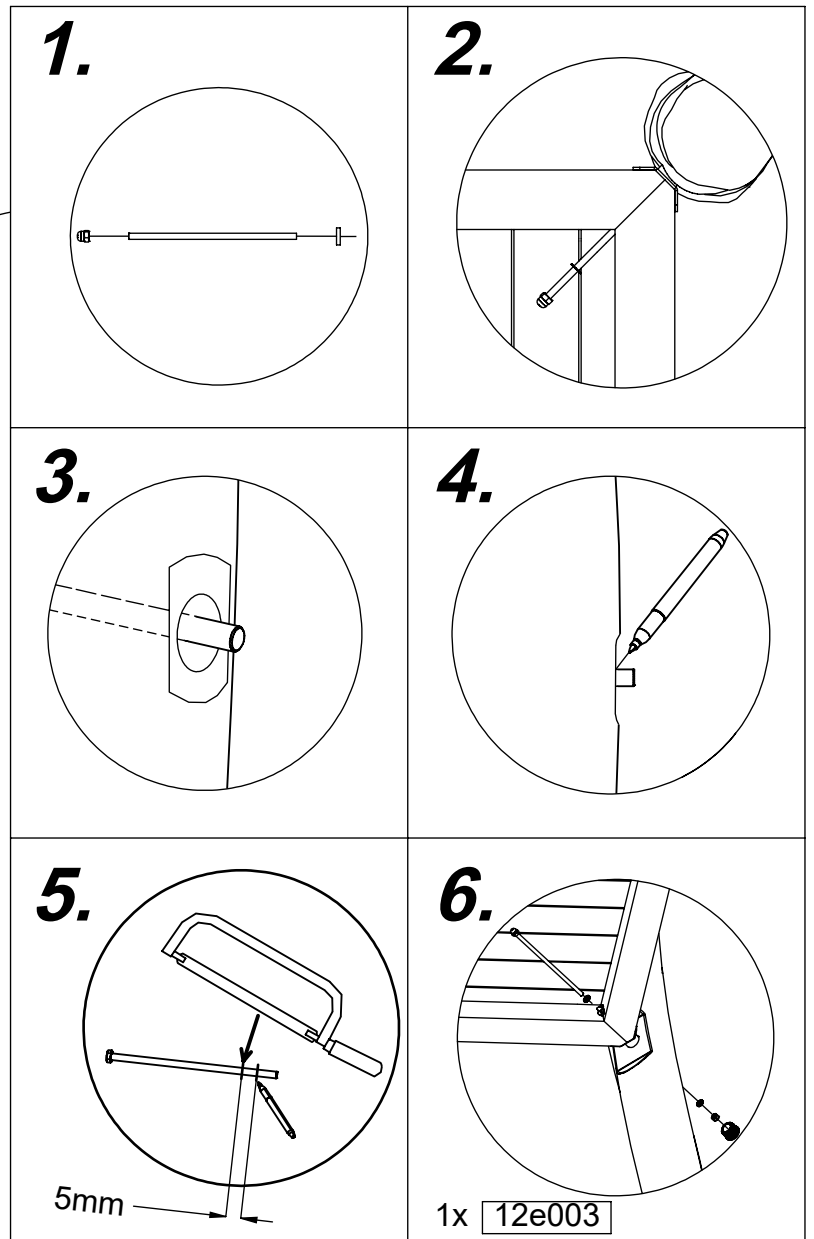
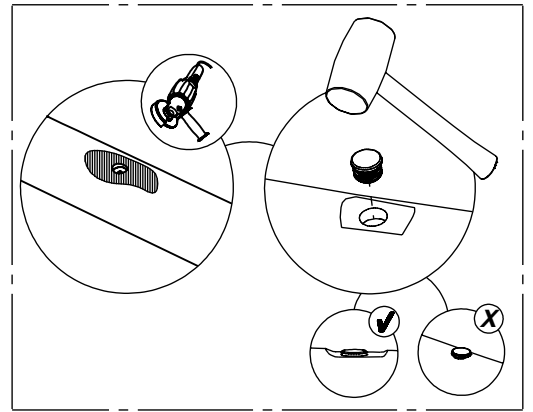
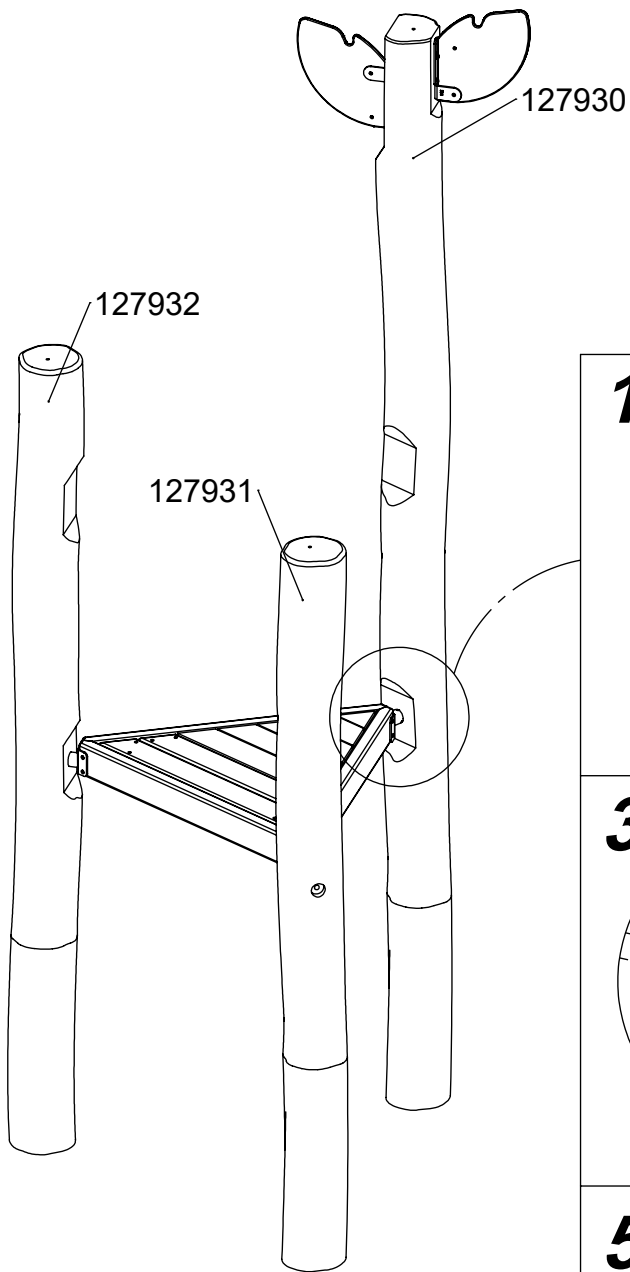
2x WD213



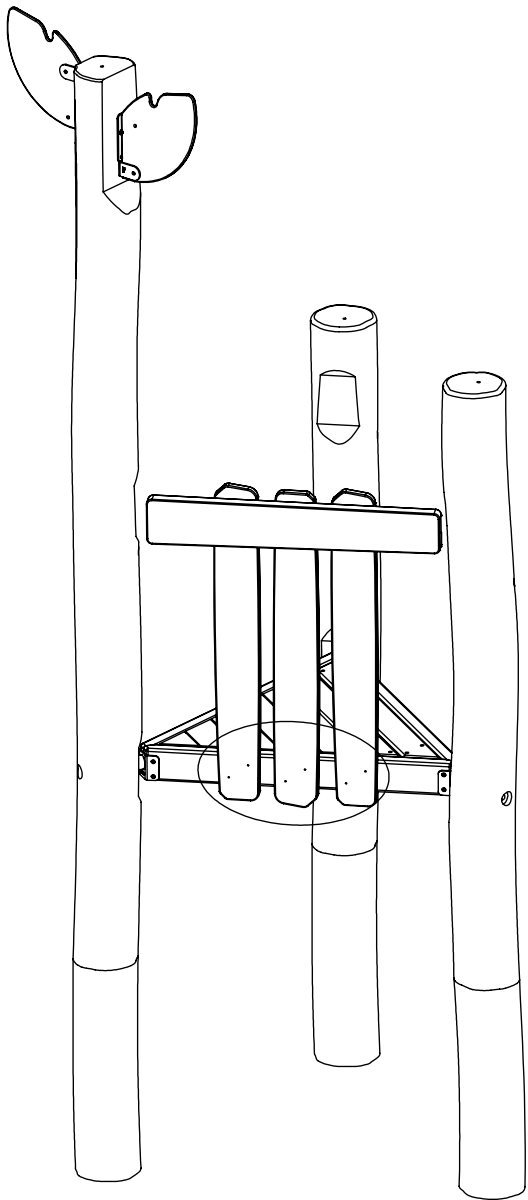
127930

[cm]

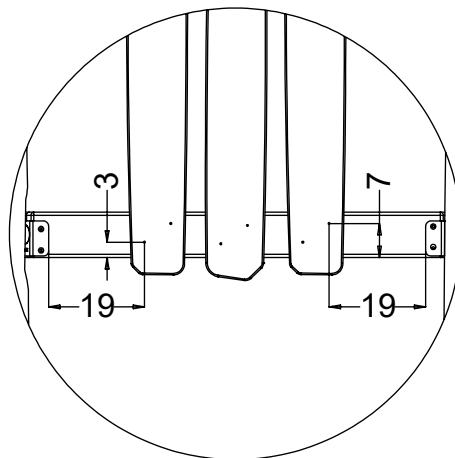
vinci  
play



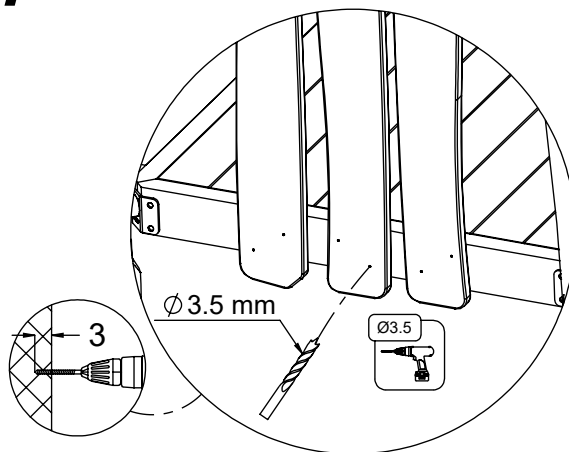
vinci  
play



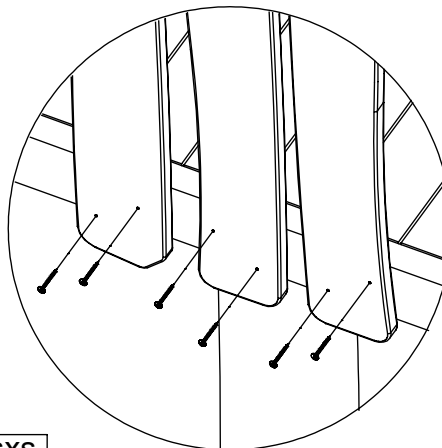
**1.**



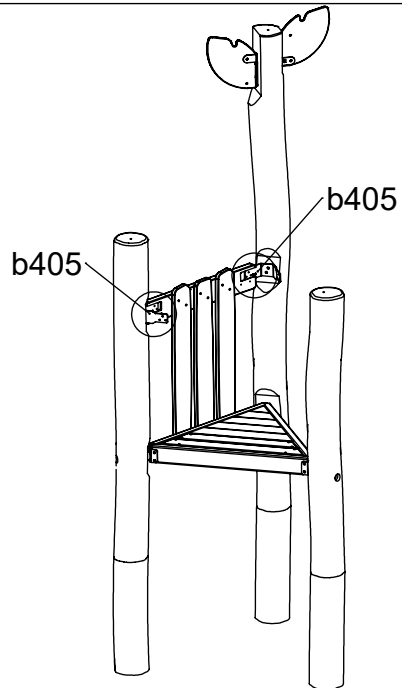
**2.**



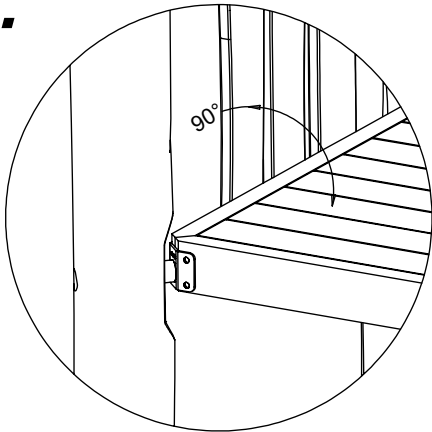
**3.**



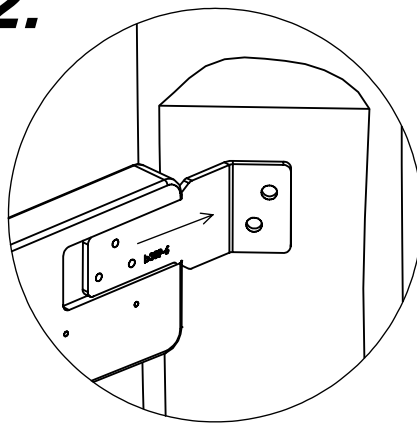
6x 5x50sxs



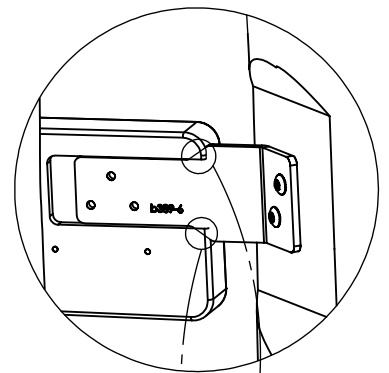
**1.**



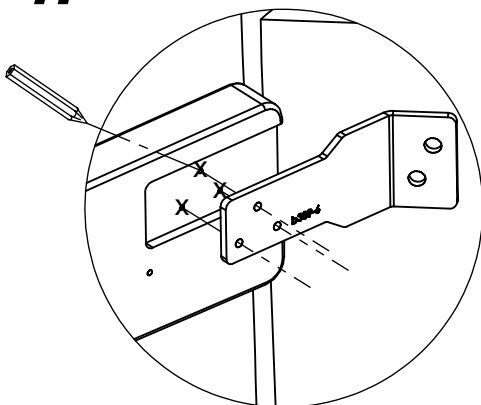
**2.**



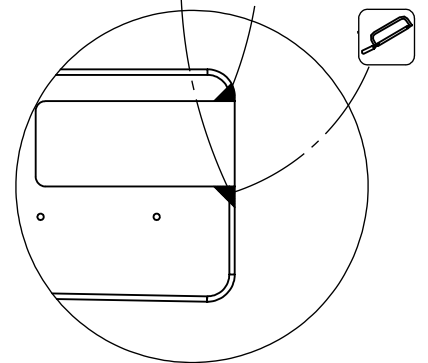
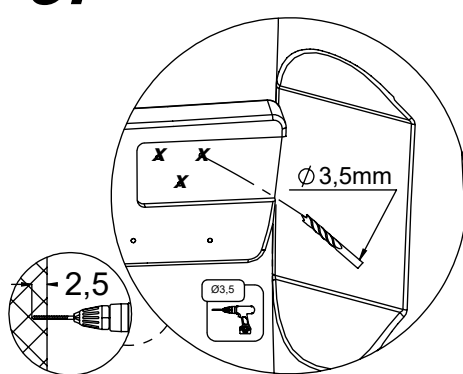
**3.**



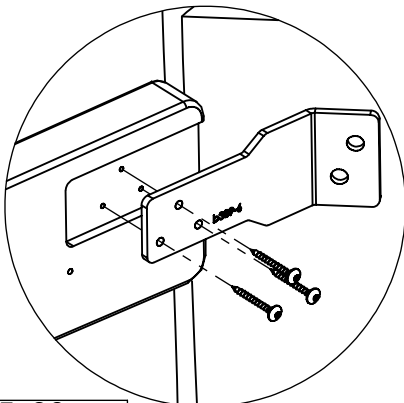
**4.**



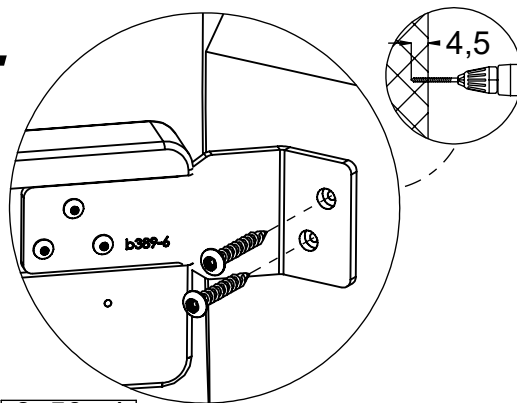
**5.**



**6.**



**7.**



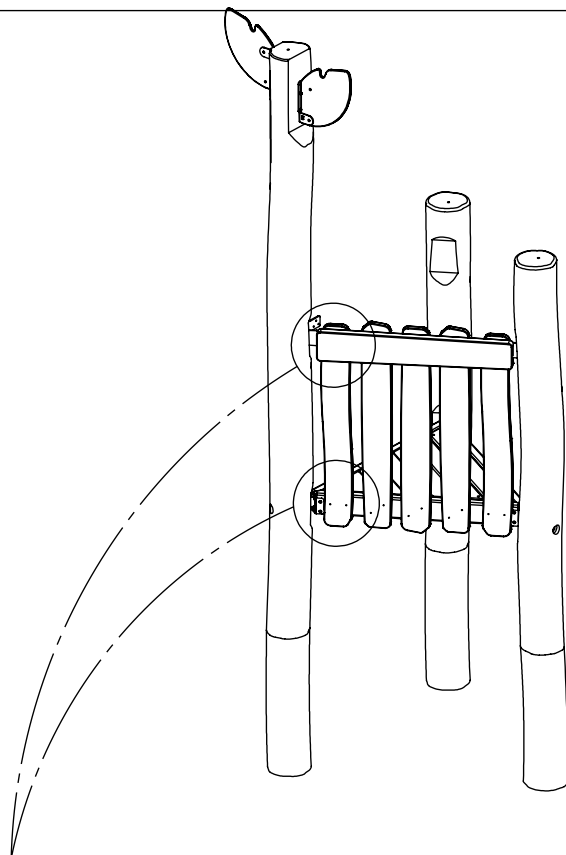
6x 5x30sxs

4x 8x50sxi

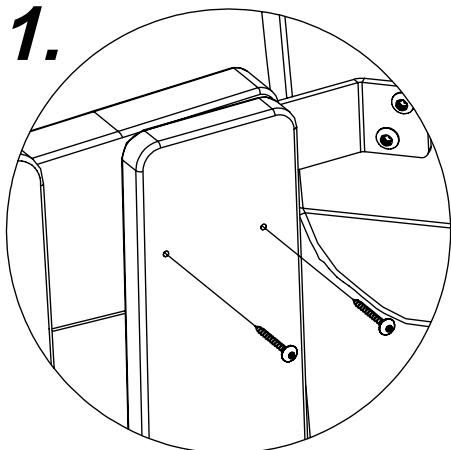
[cm]

vinci  
play



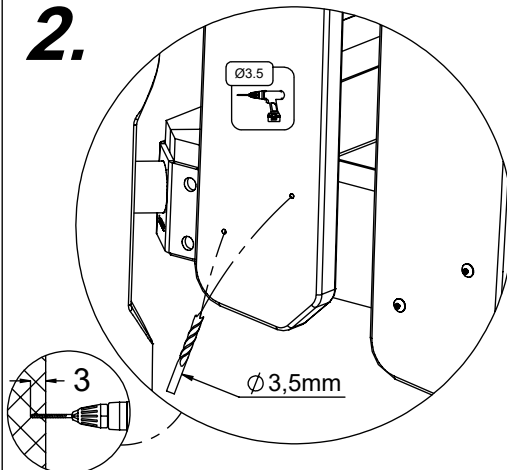


**1.**

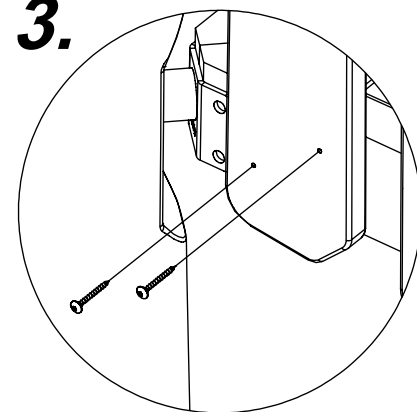


4x **5x50sxs**

**2.**



**3.**



4x **5x50sxs**

128181

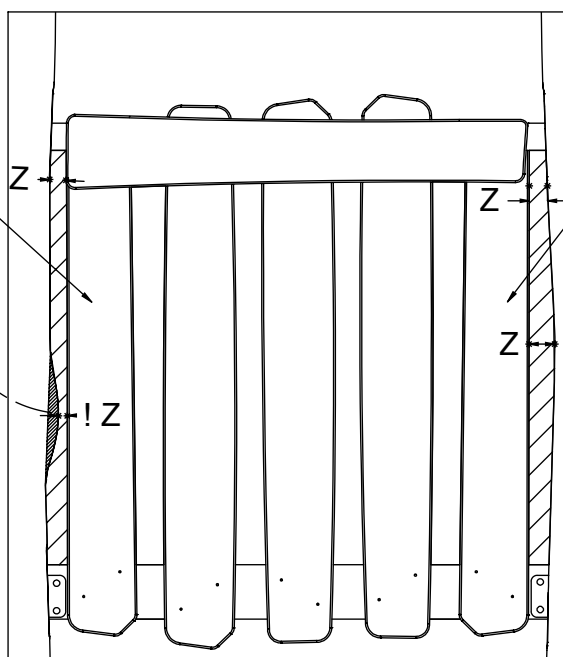
Z

128181

Z

Z

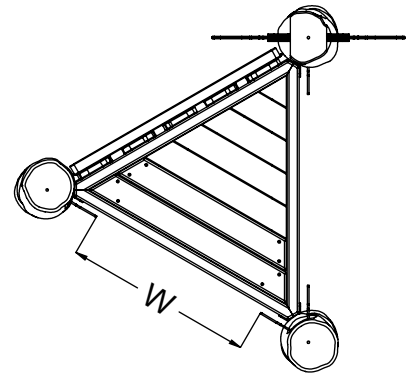
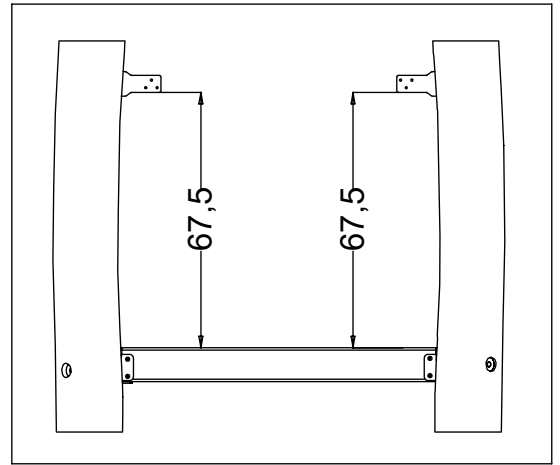
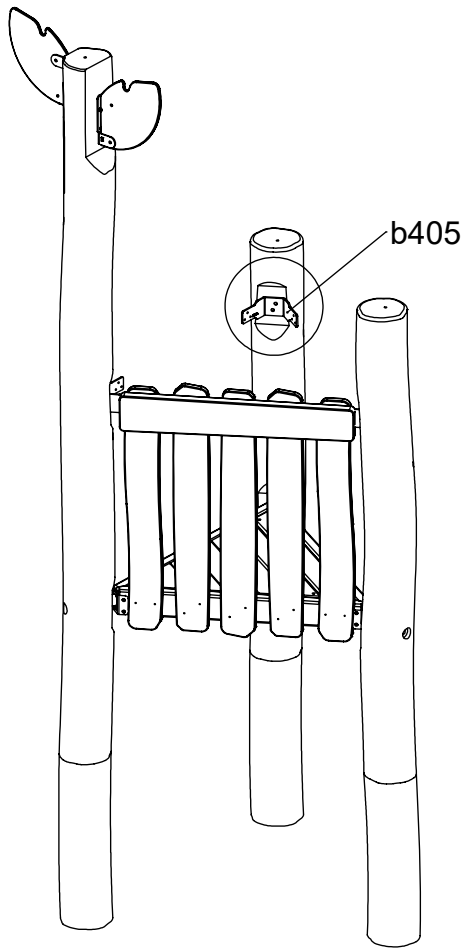
! Z



[cm]

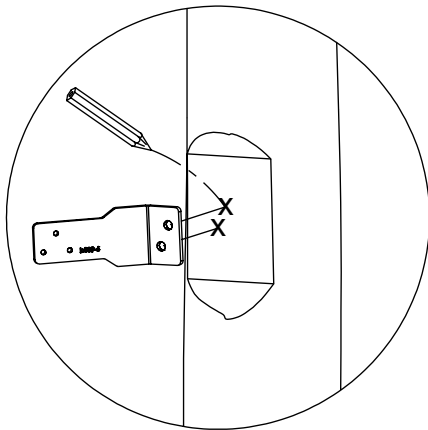
! **30mm < Z < 85mm**

vinci  
play

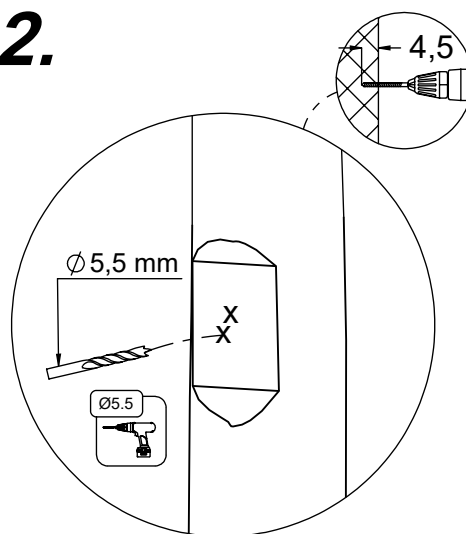


W≈62

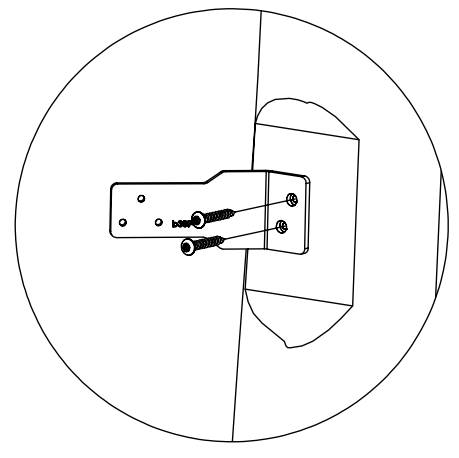
**1.**



**2.**



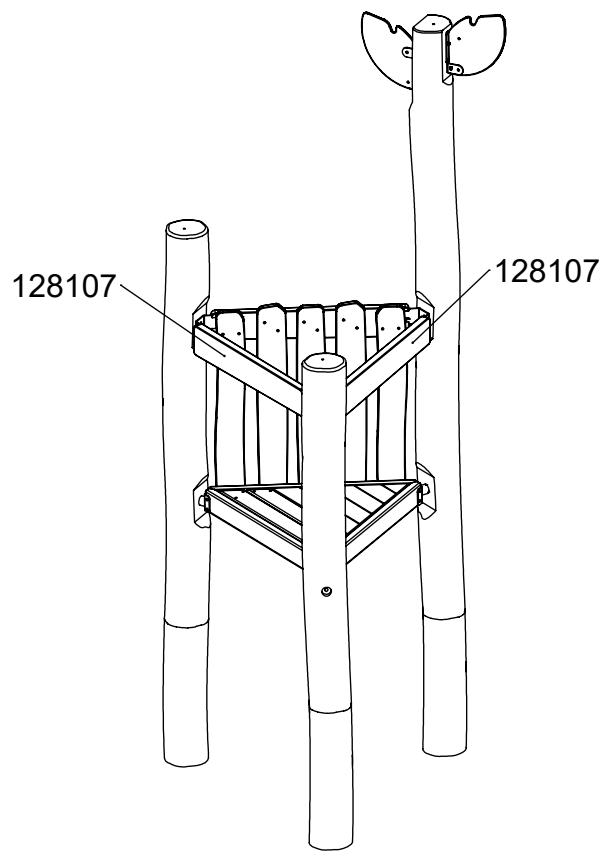
**3.**



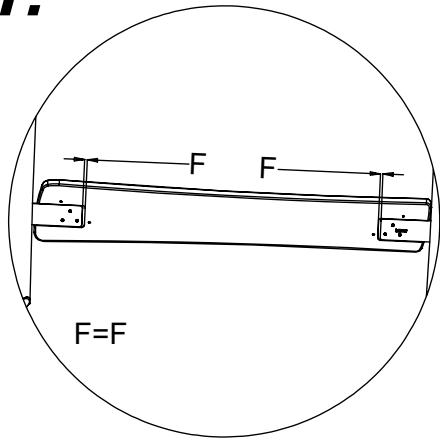
2x 8x50sxi

[cm]

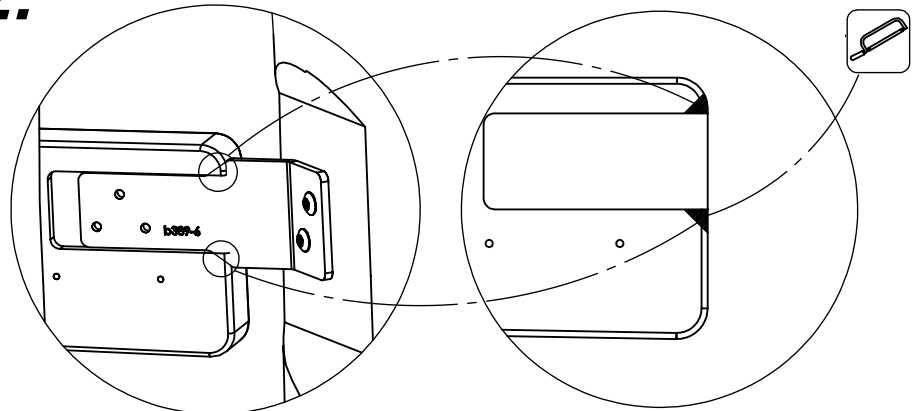
vinci  
play



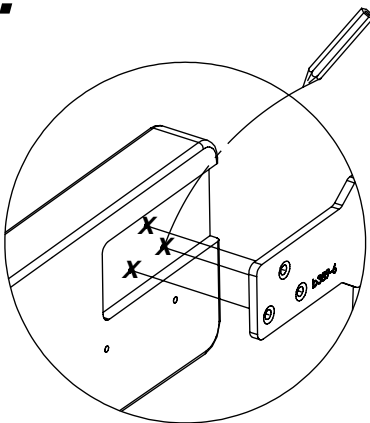
**1.**



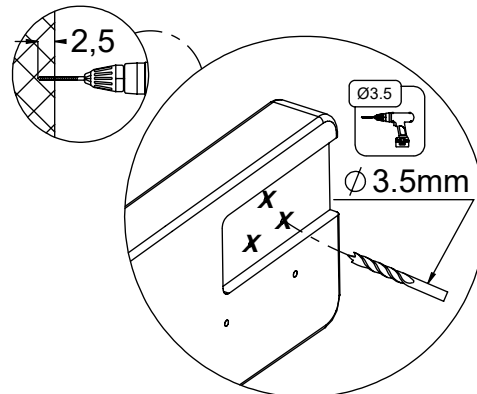
**2.**



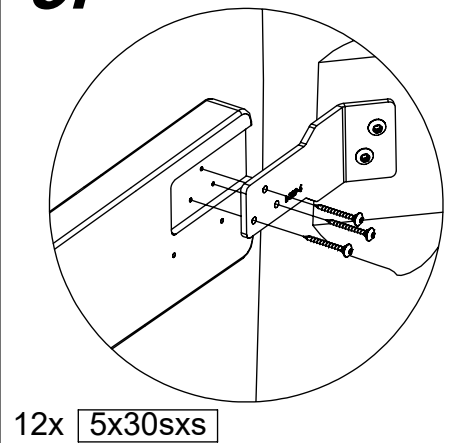
**3.**

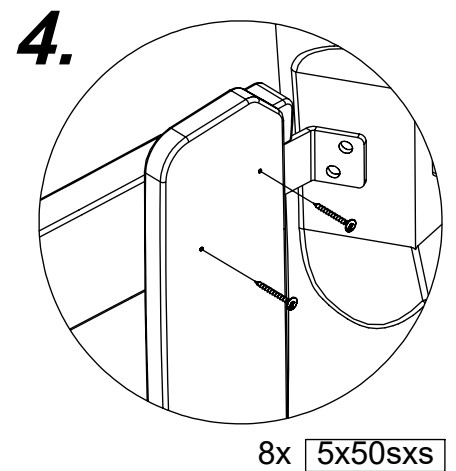
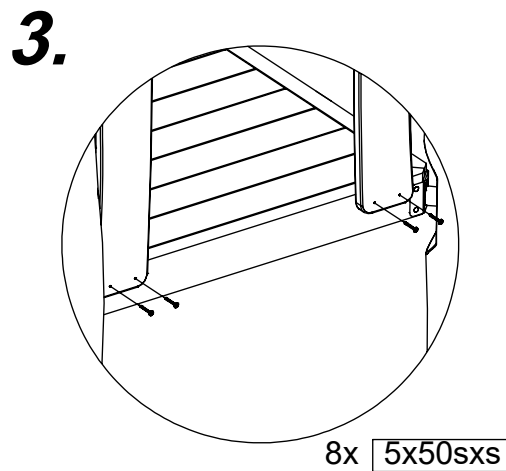
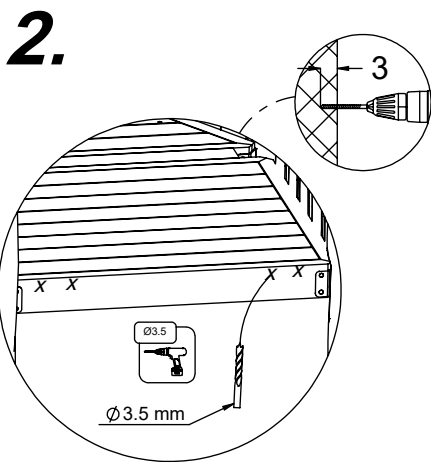
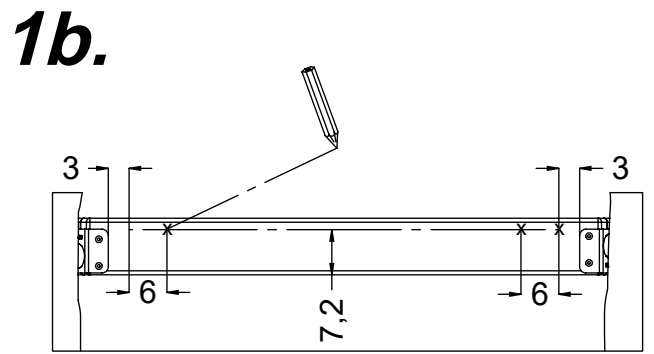
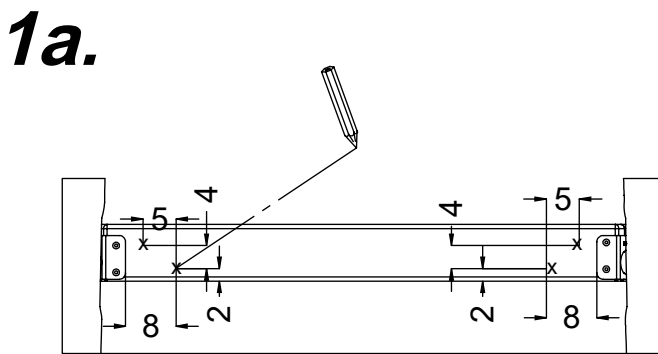
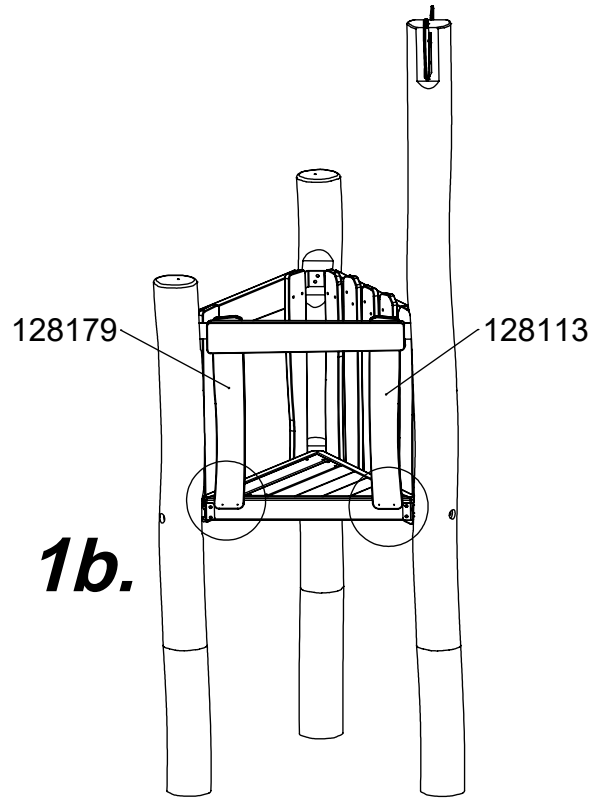
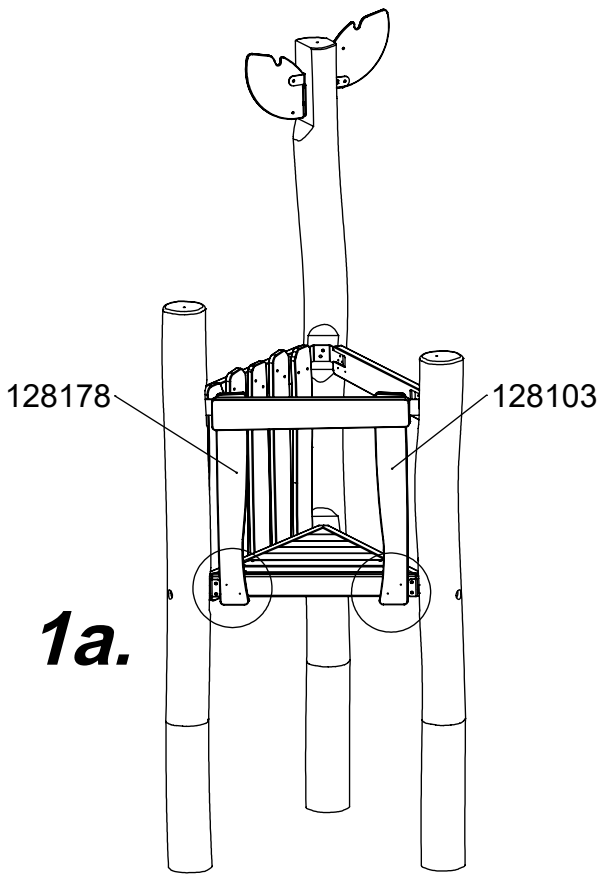


**4.**

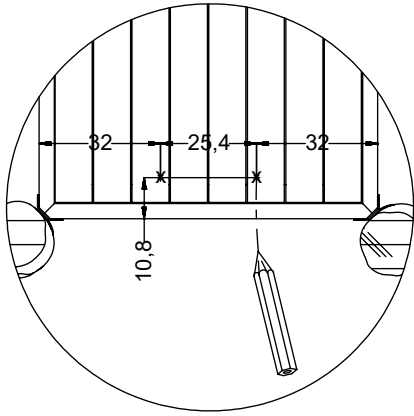


**5.**

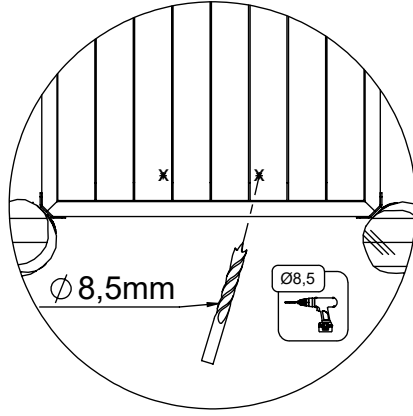




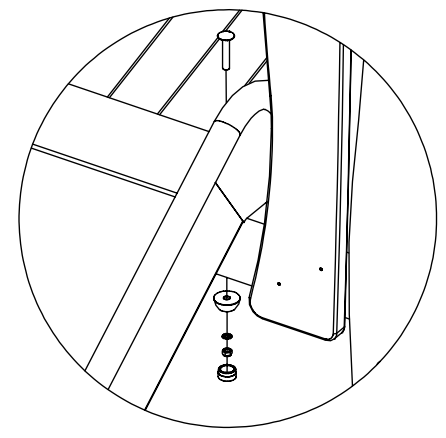
**1.**



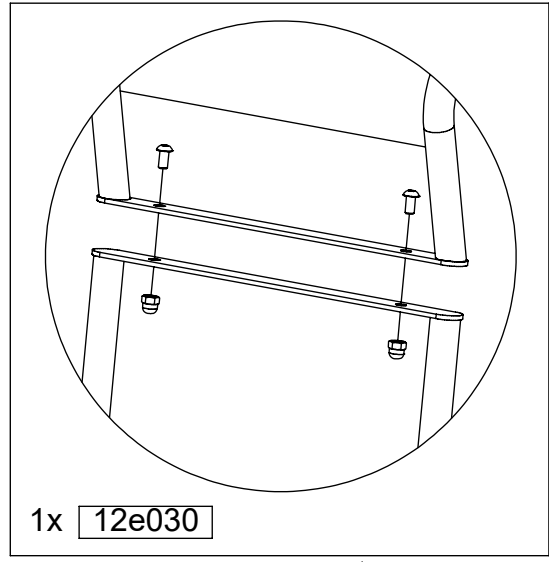
**2.**



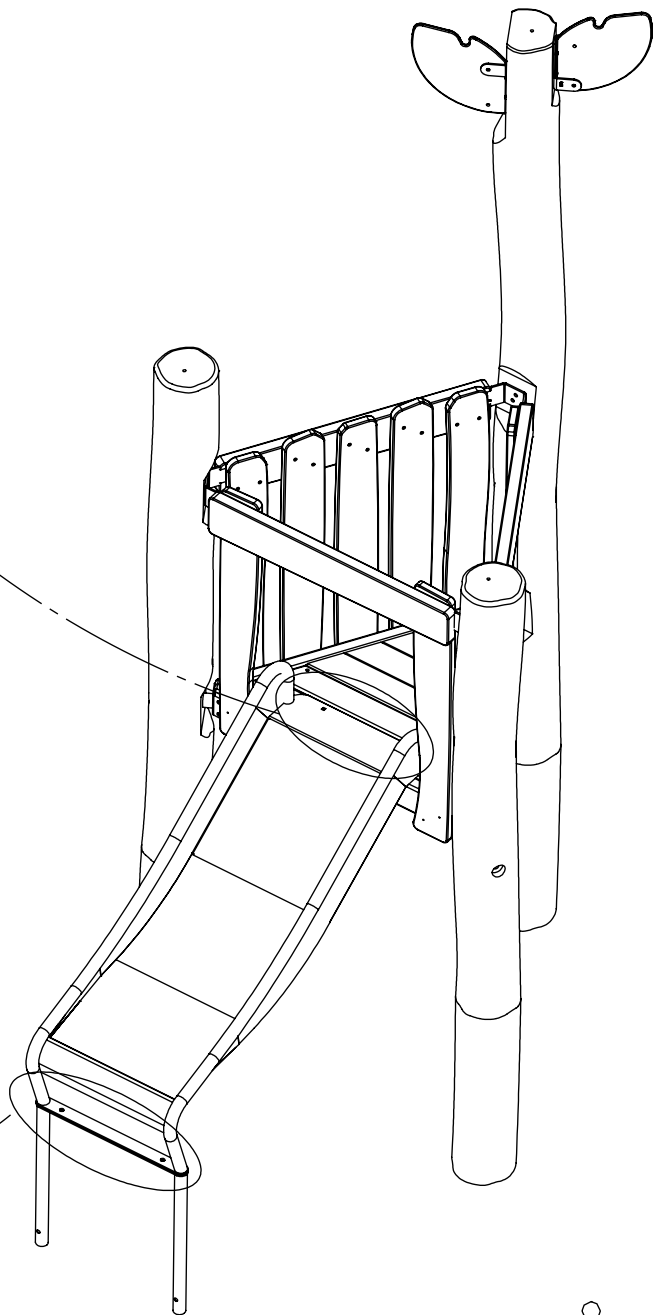
**3.**



1x **12e019**

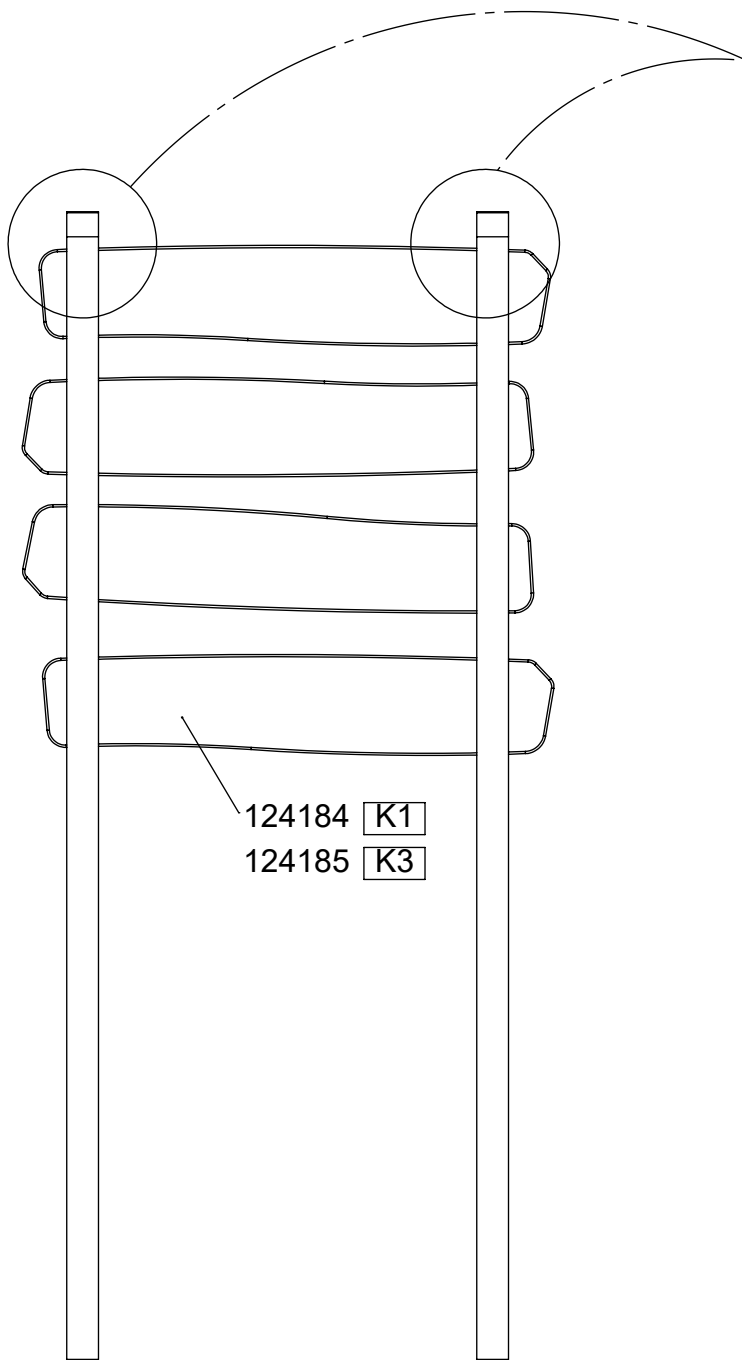


1x **12e030**

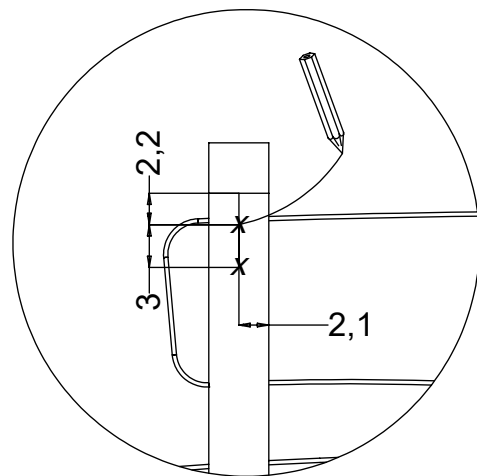


[cm]

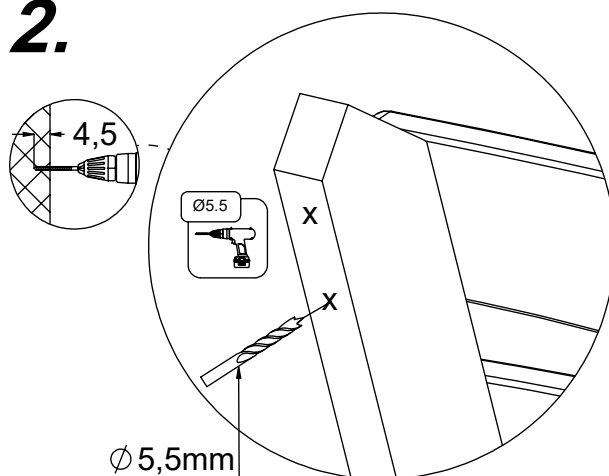
vinci  
play



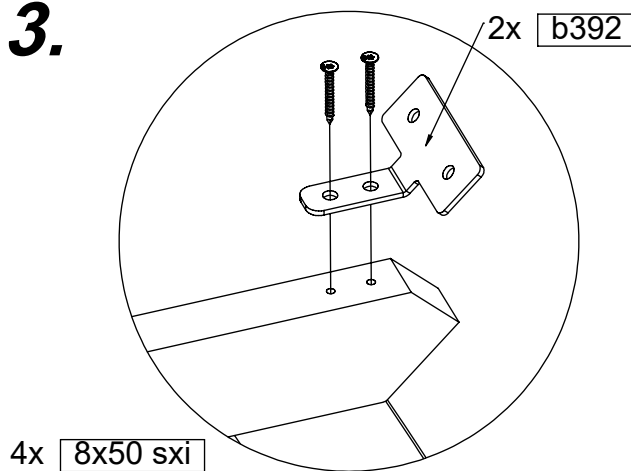
**1.**

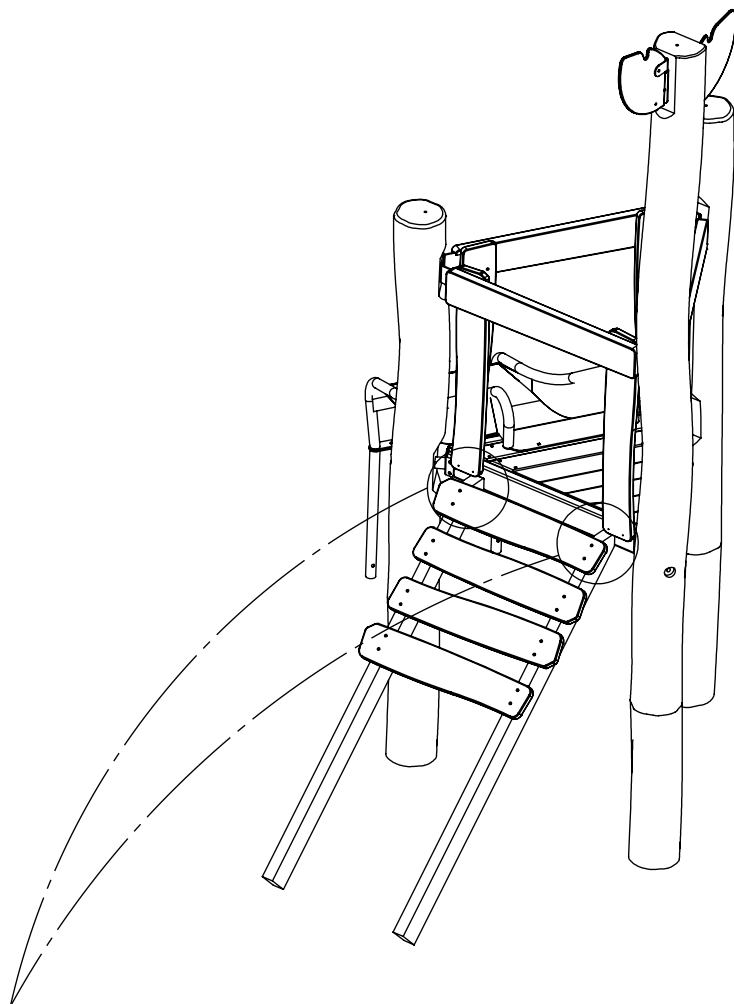


**2.**

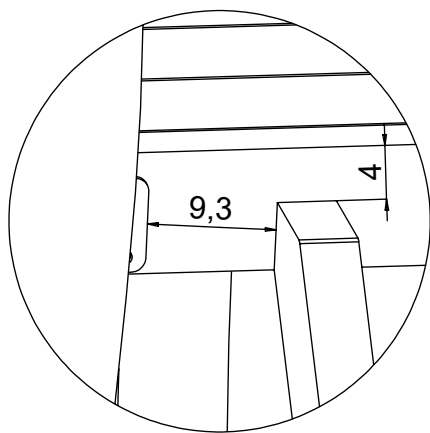


**3.**

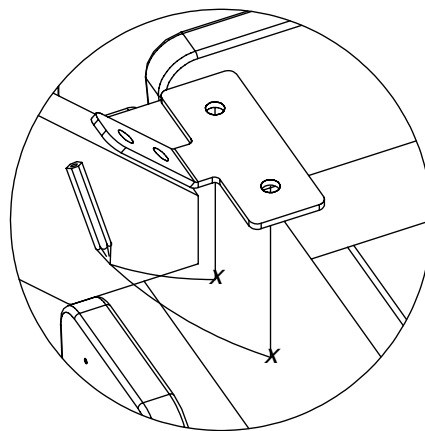




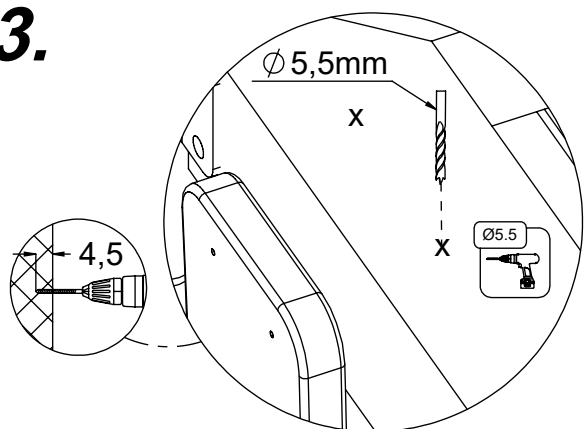
**1.**



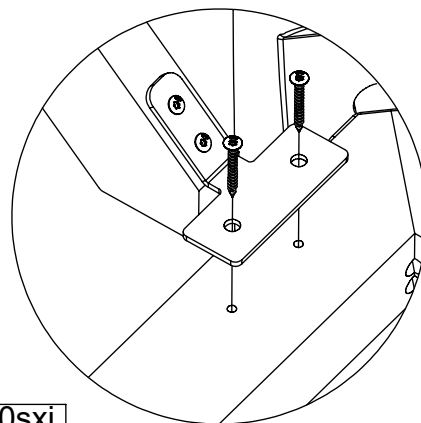
**2.**



**3.**

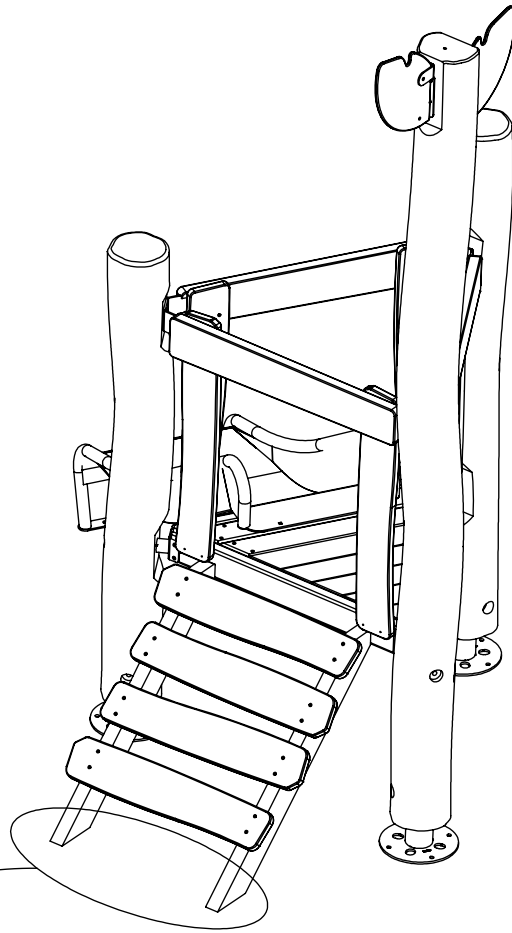


**4.**

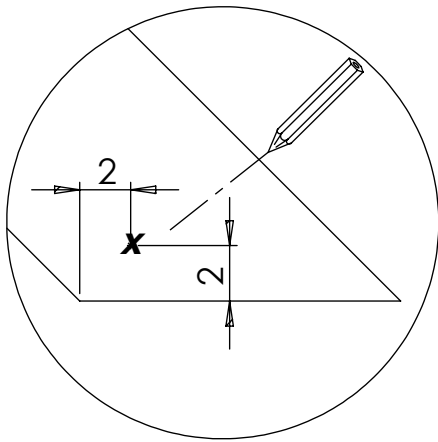


4x 8x50sxi

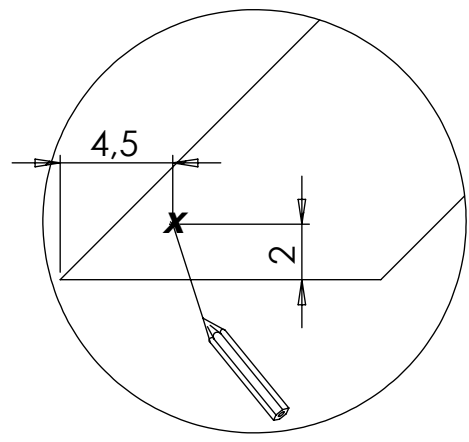
# K3



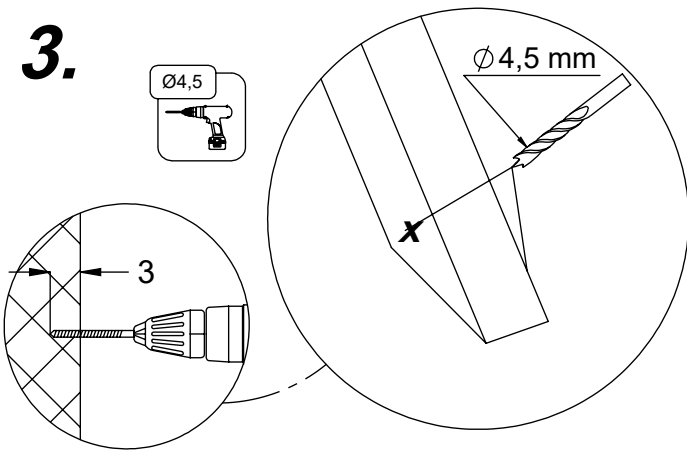
1.



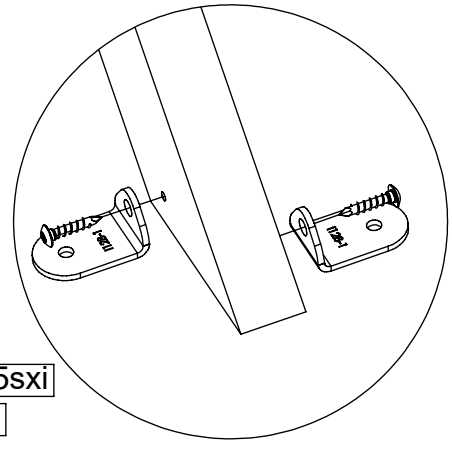
2.



3.



4.



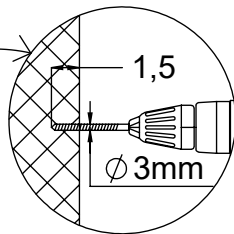
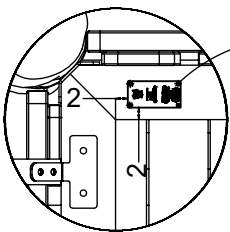
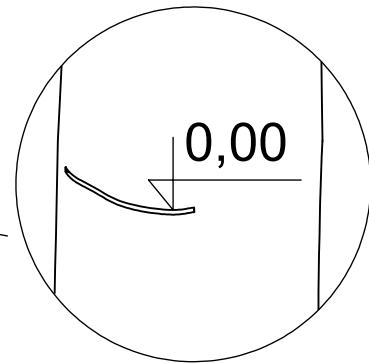
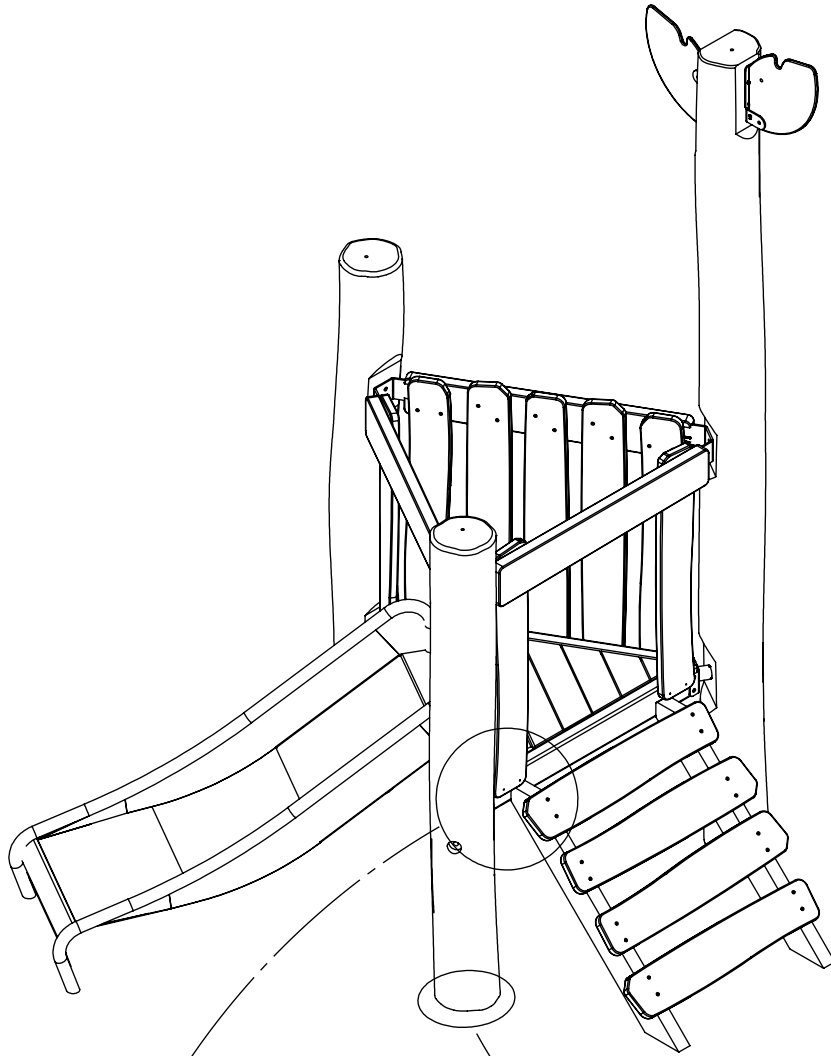
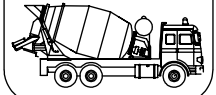
4x **7x35sxi**  
4x **i128**

[cm]

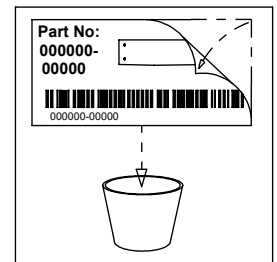
vinci  
play



48h



V001



[cm]

vinci play