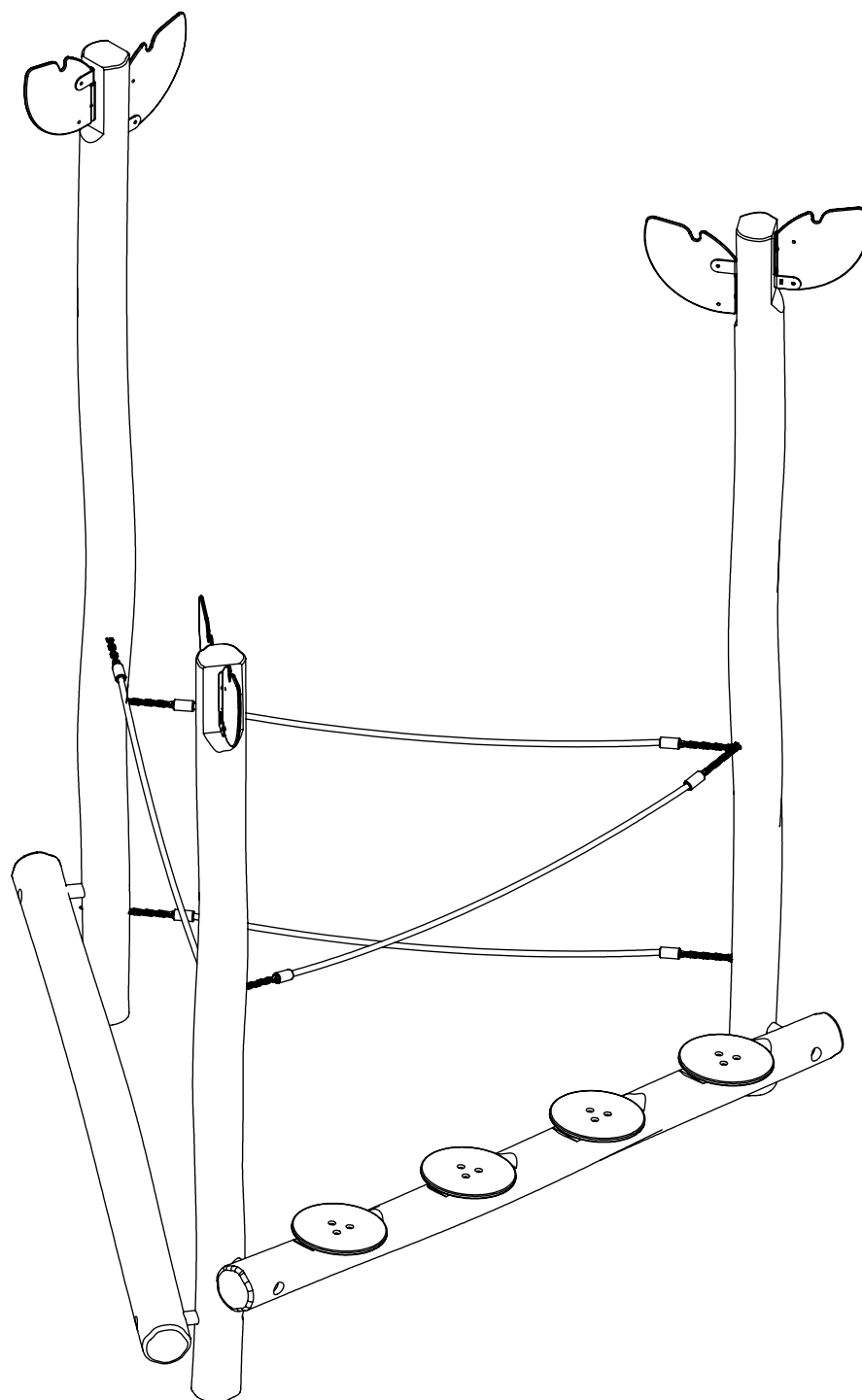


# RB1229



EN  
1176

x2

2h

48h

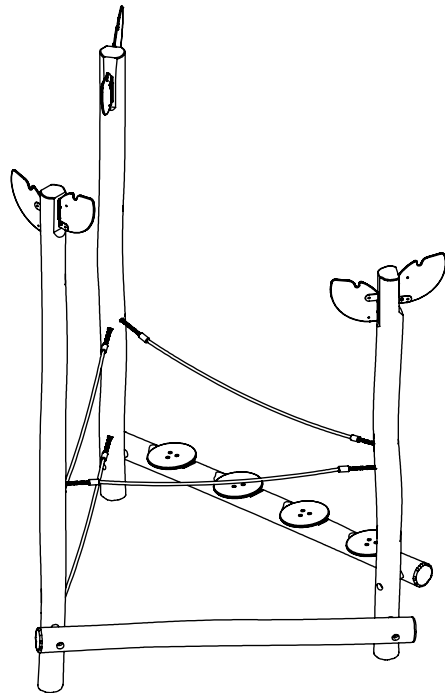
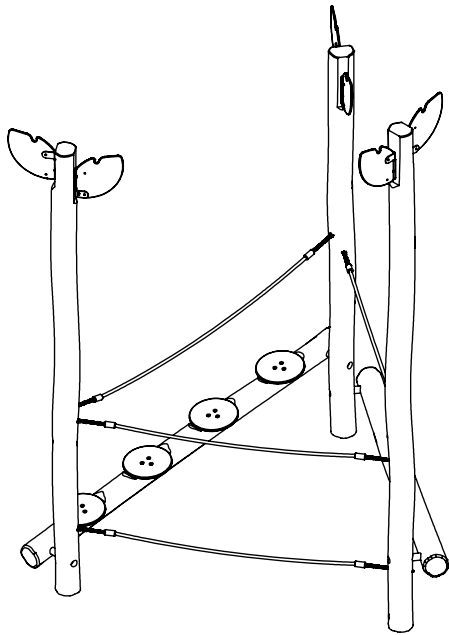
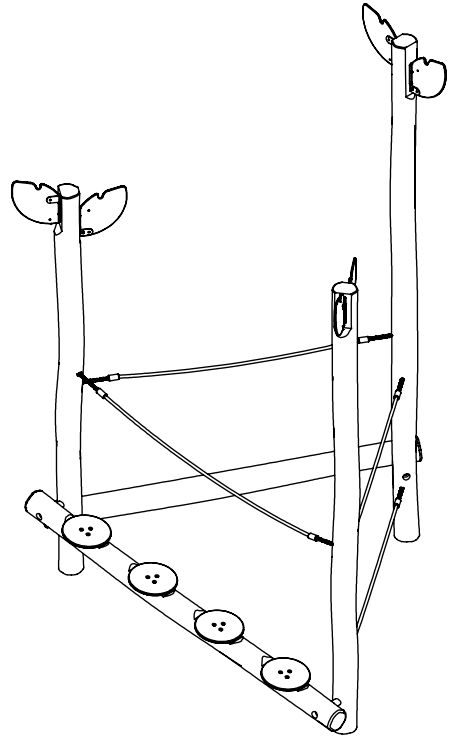
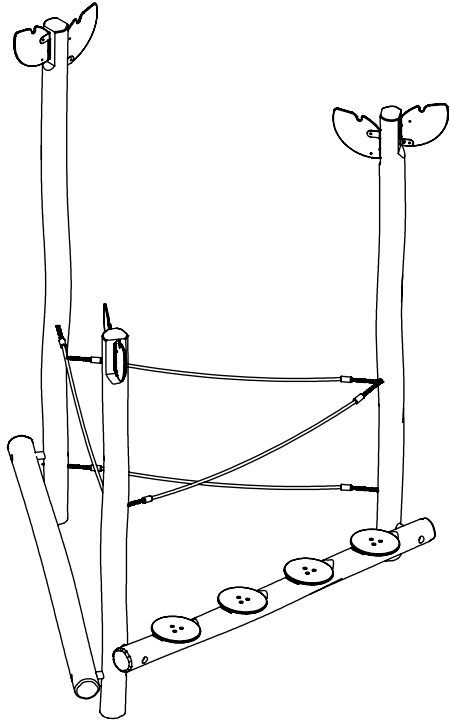
K29  
x3

<60  
HIC



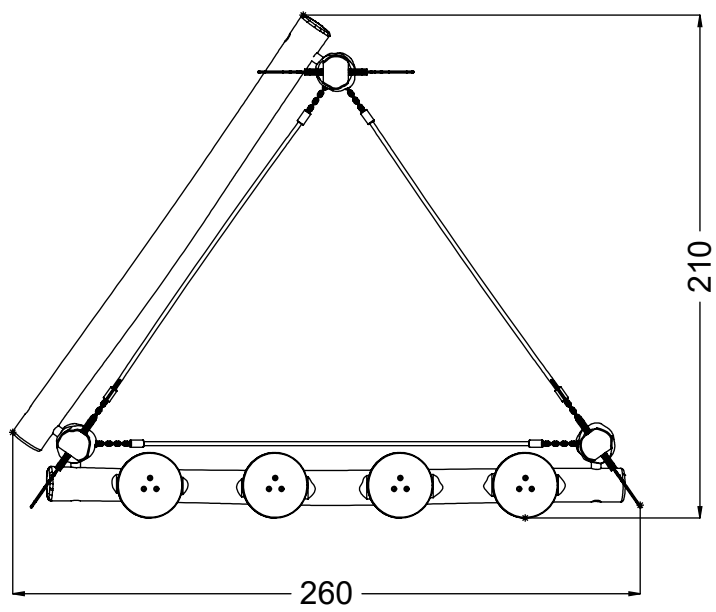
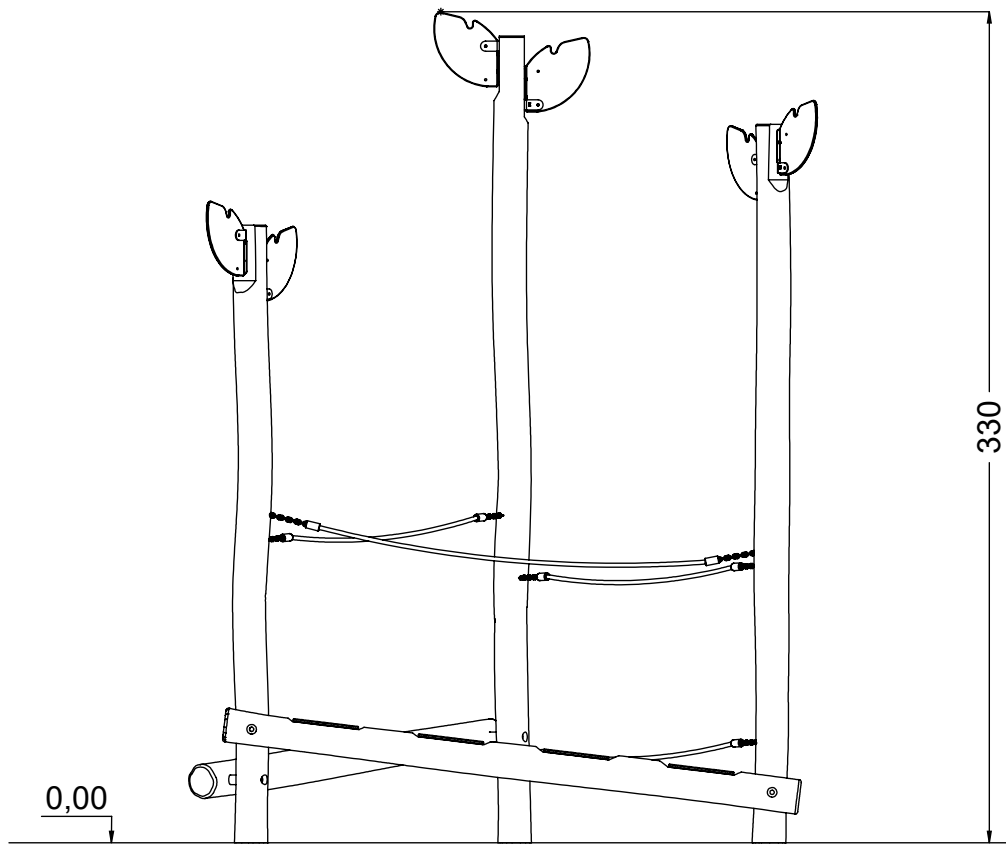
v010  
08.01.2024  
D. P.  
[cm]

vinci  
play



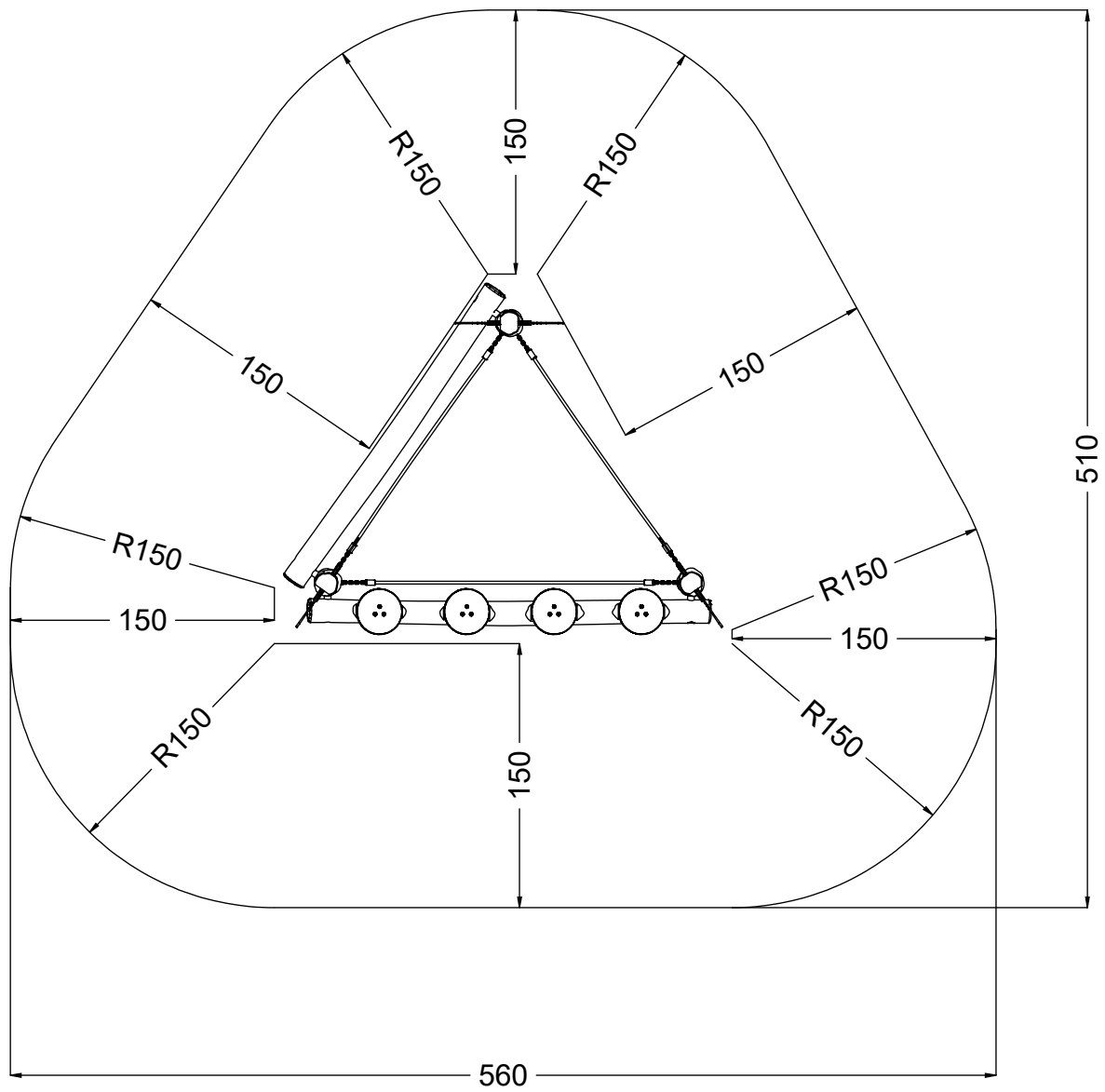
[cm]

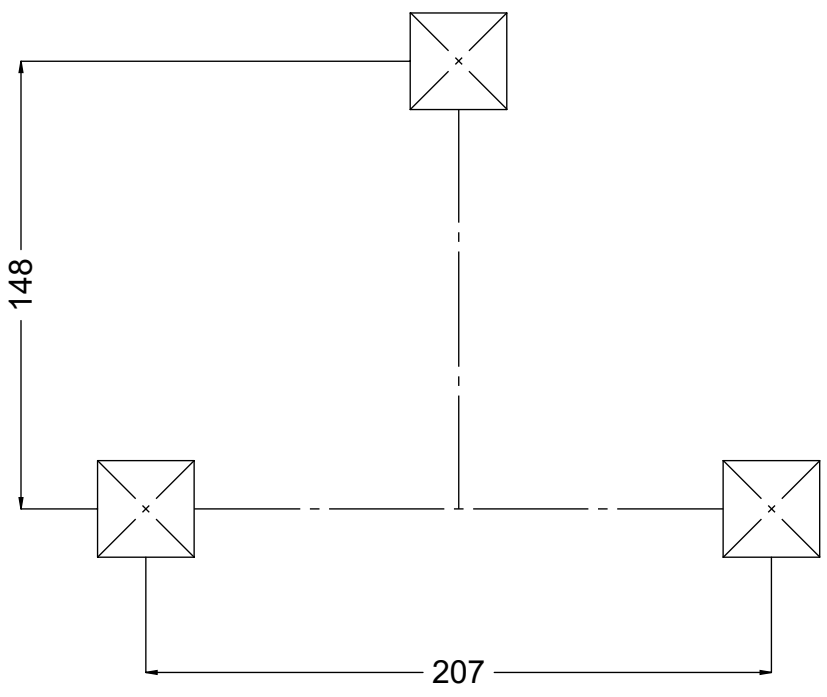
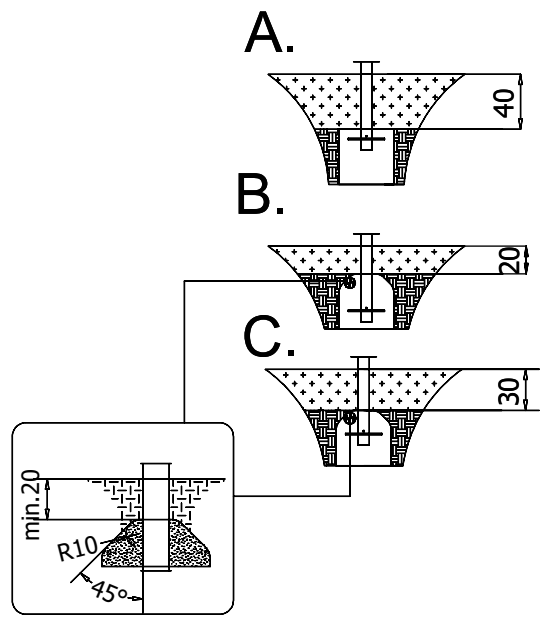
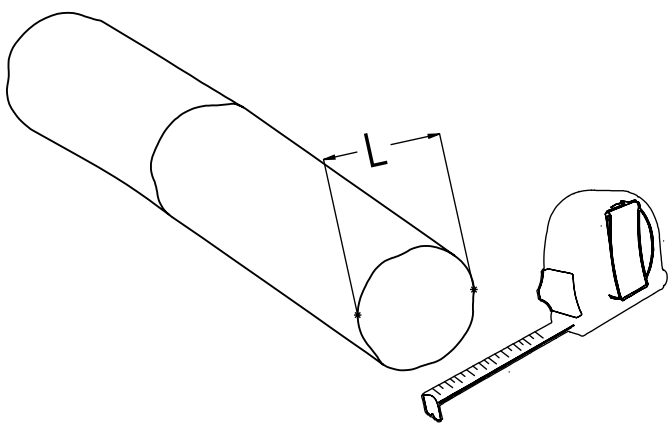
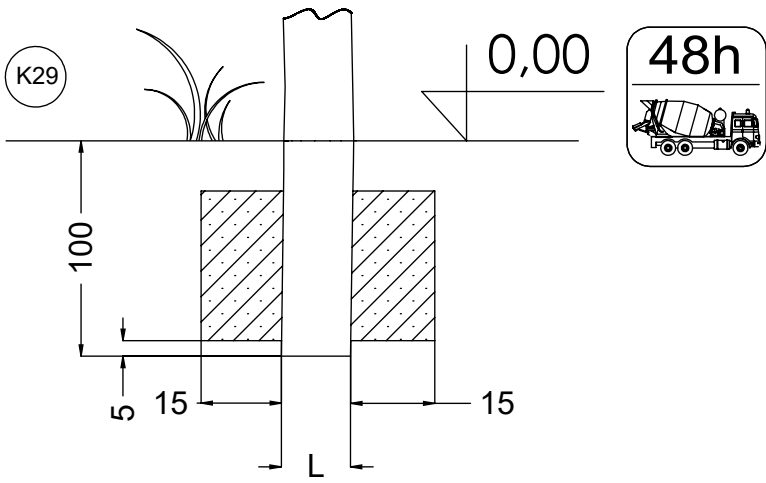
vinci  
play



[cm]

vinci  
play





[cm]

x2

2h

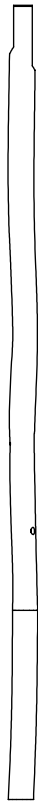
48h

K29

x3

>0.06m<sup>3</sup>

vinci play



127933 (A)  
x1



127934 (A)  
x1



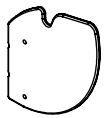
127935 (A)  
x1



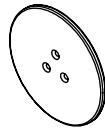
127936 (A)  
x1



127937 (A)  
x1



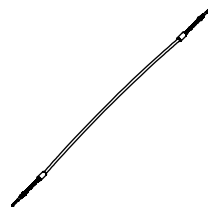
121199  
x6



121103  
x4

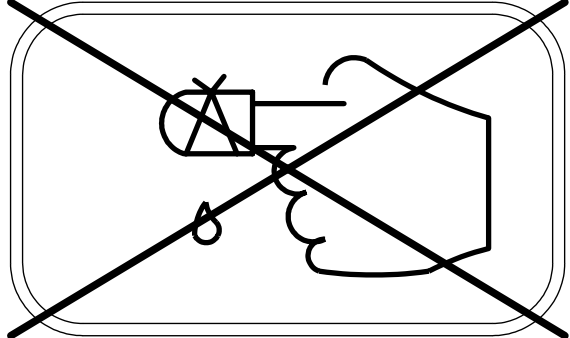
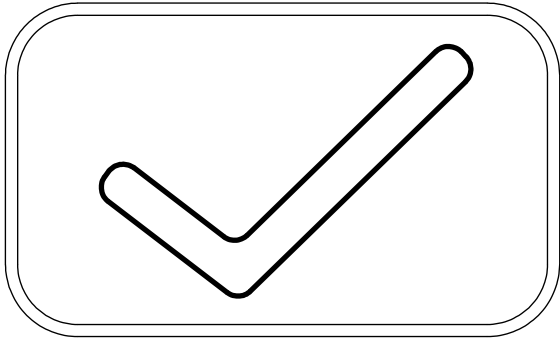
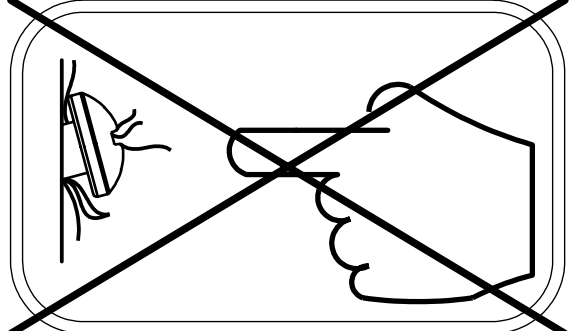
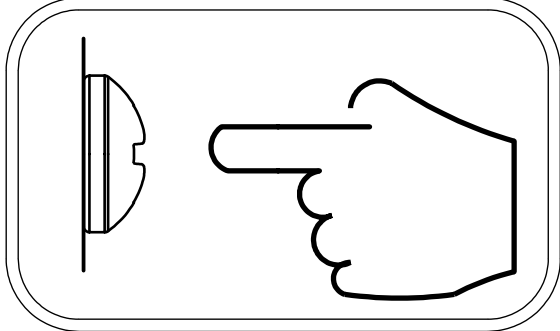
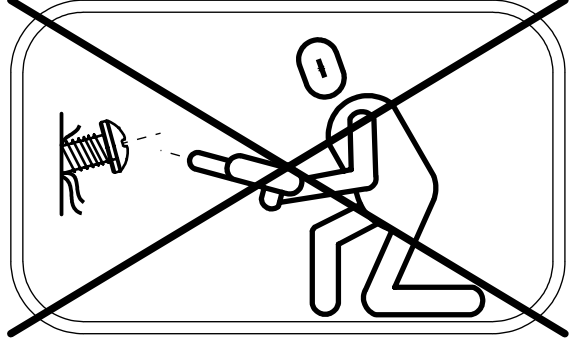
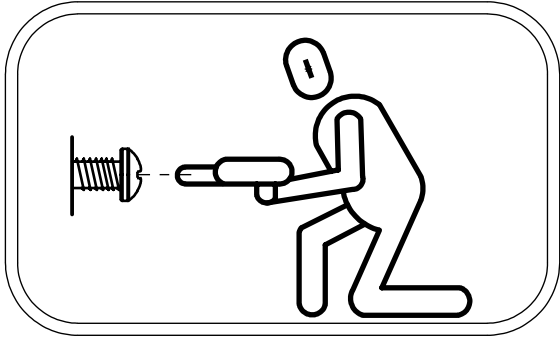


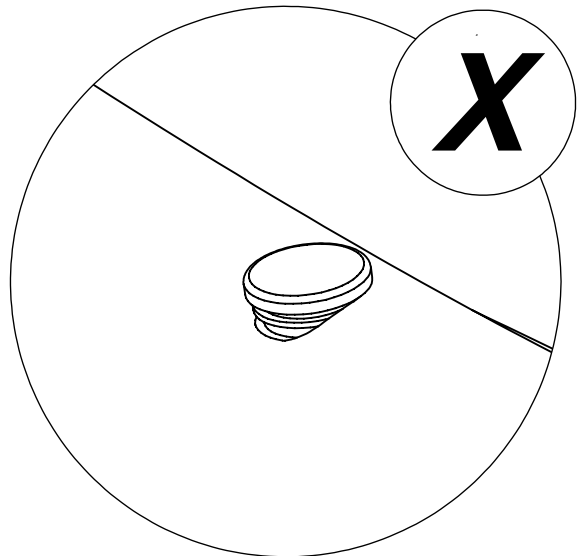
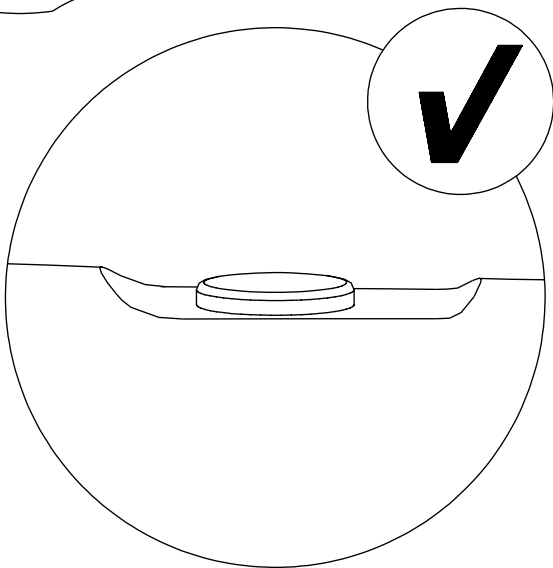
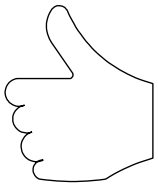
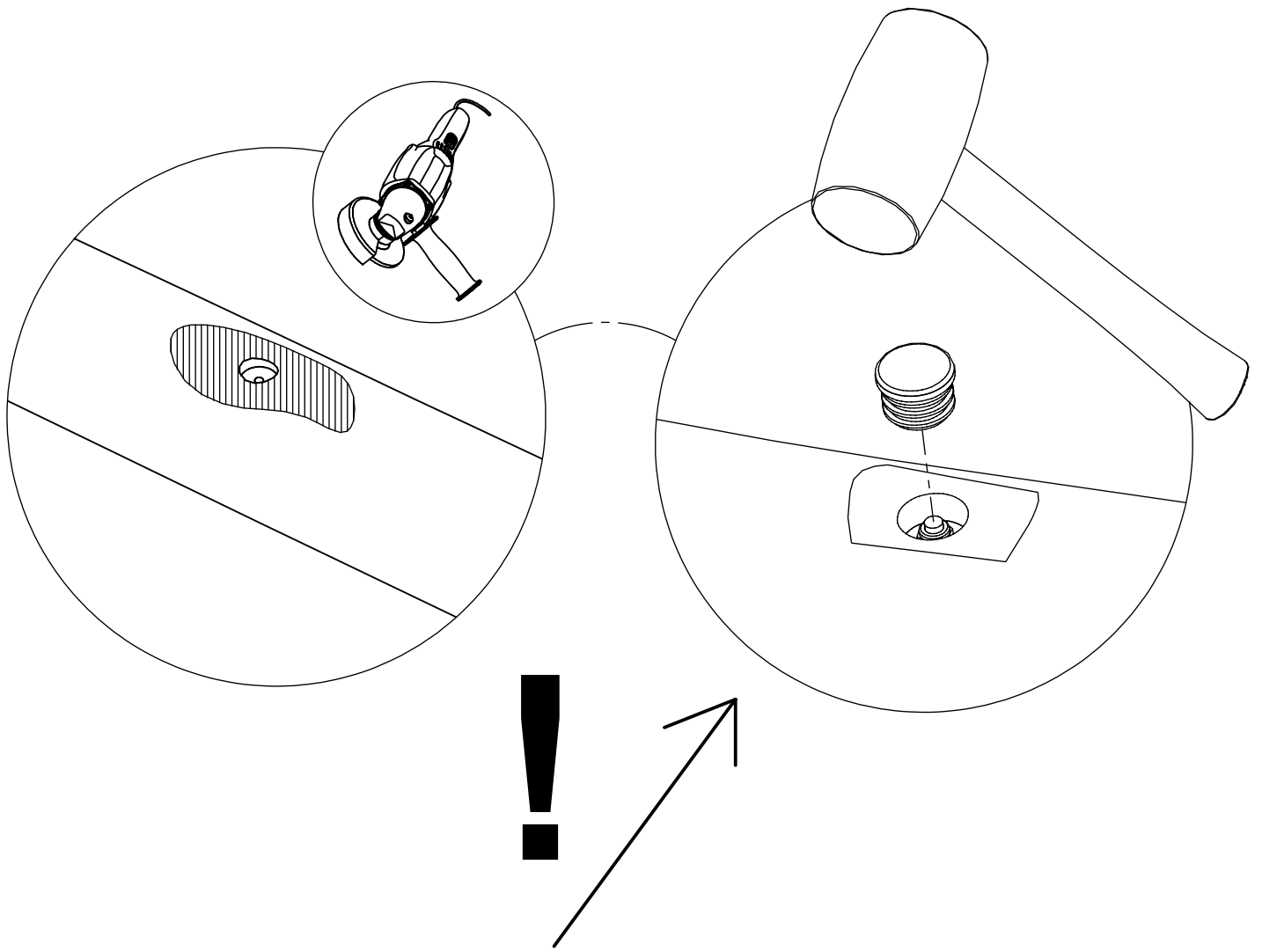
125103  
x1



125154  
x3

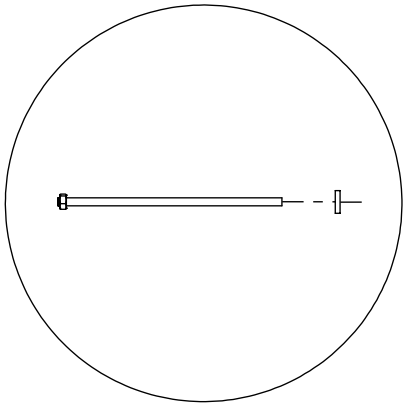
12x	8x50sxi
12x	8x80sxt
4x	12e007
2x	12e022
6x	i030
6x	WD213
1x	V001



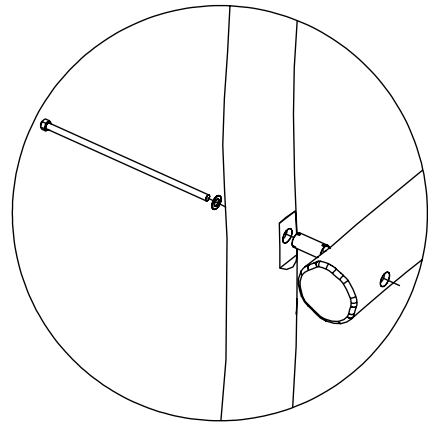




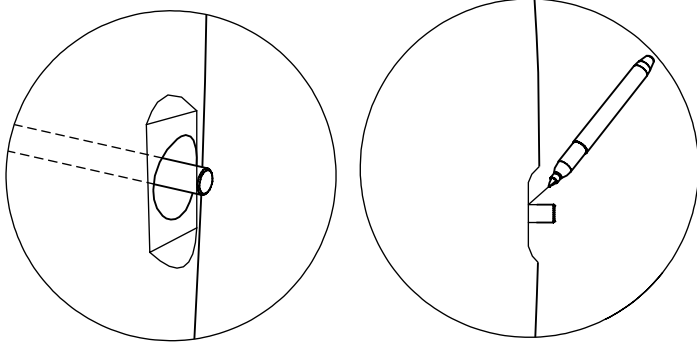
1.



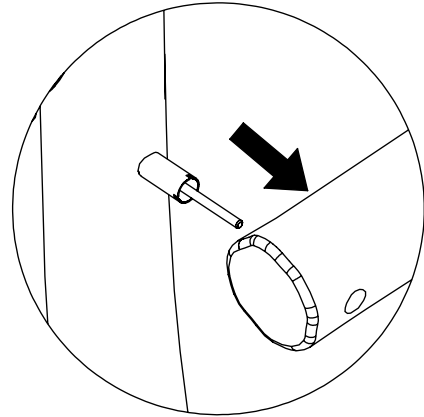
2.



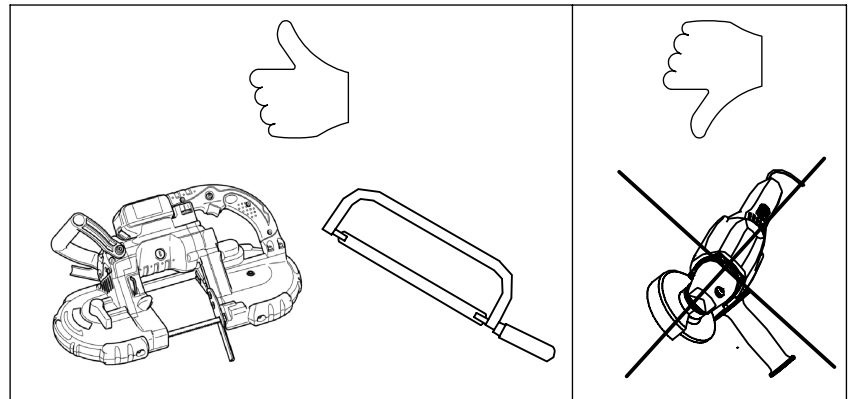
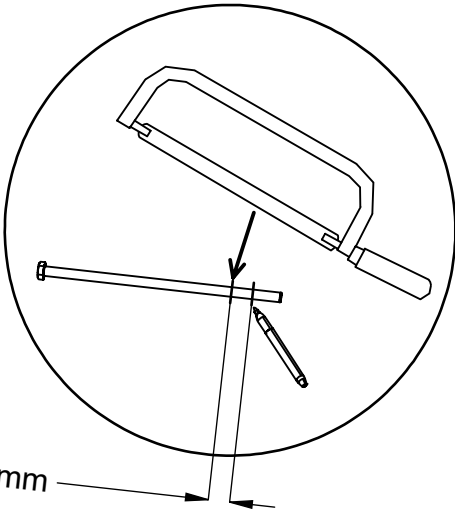
3.



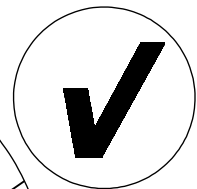
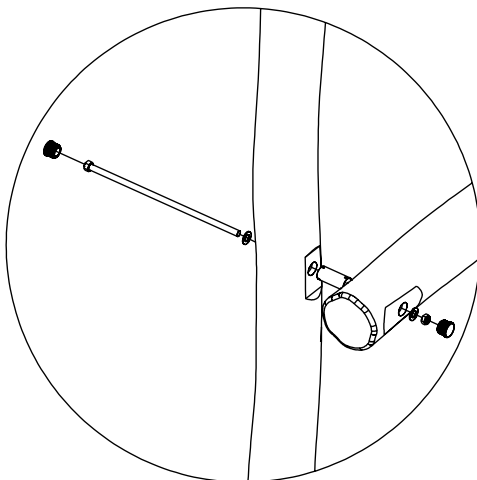
4.



5.



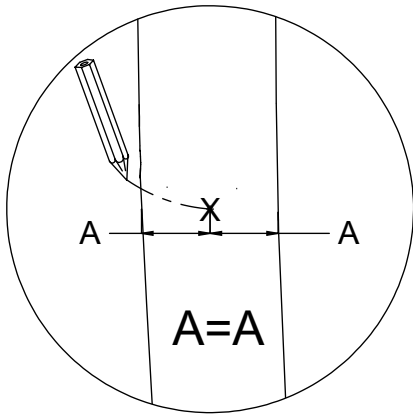
6.



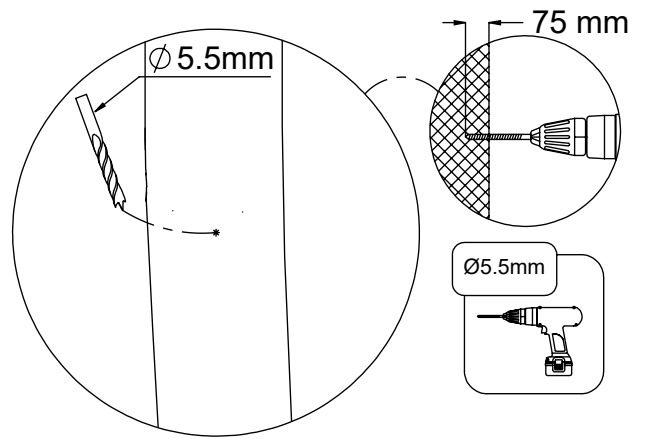
[cm]

vinci  
play

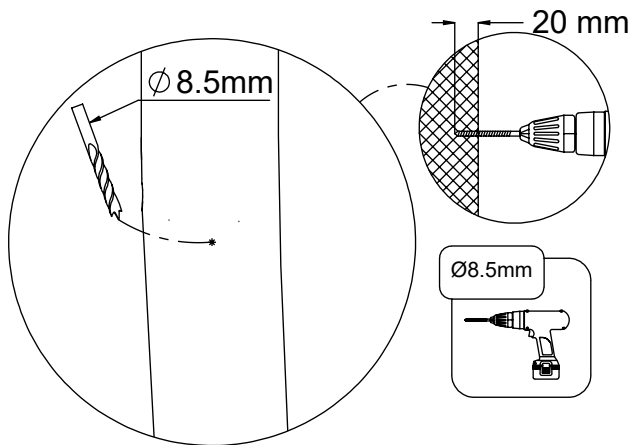
1.



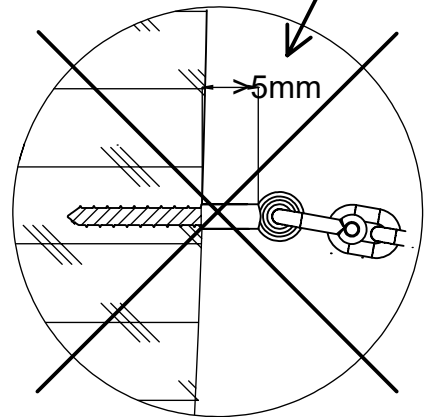
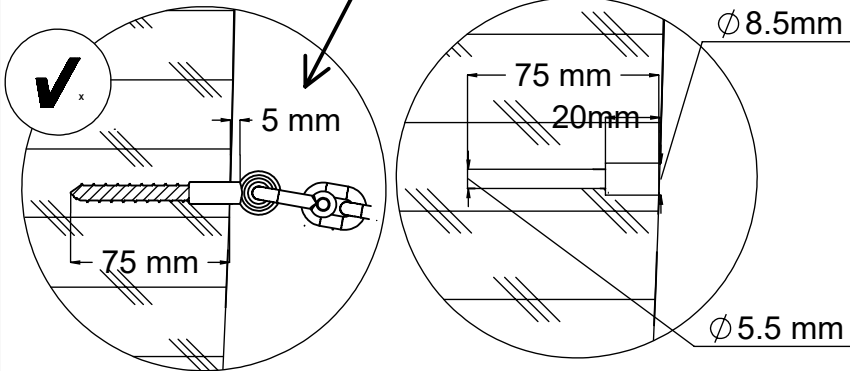
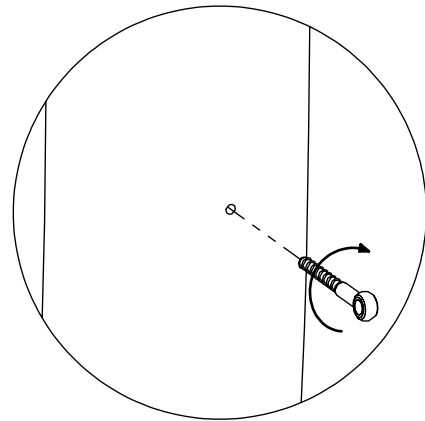
2.



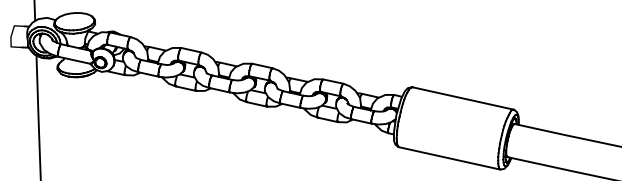
3.



4.

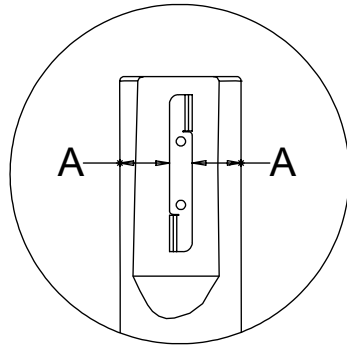
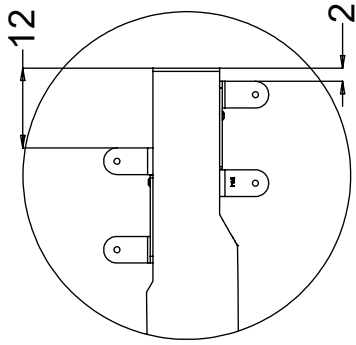


[cm]

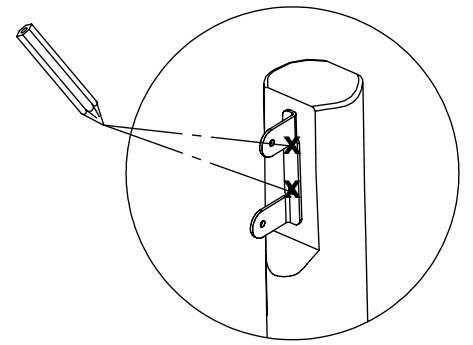


vinci play

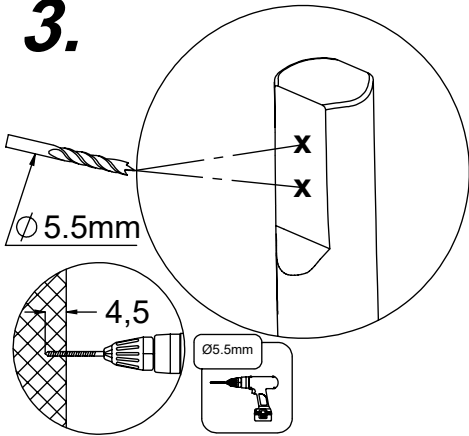
1.



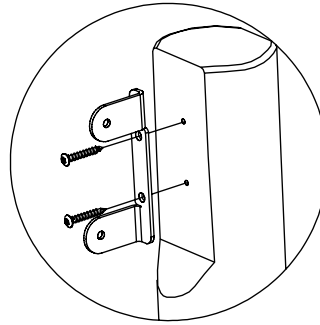
2.



3.

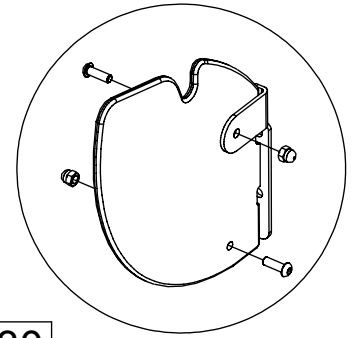


4.



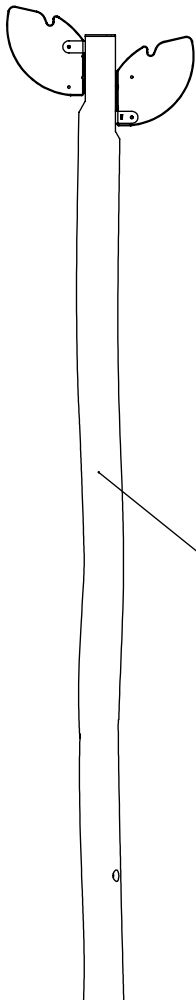
12x 8x50sxi

5.

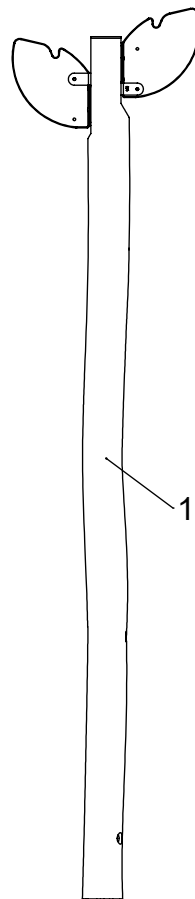


6x i030

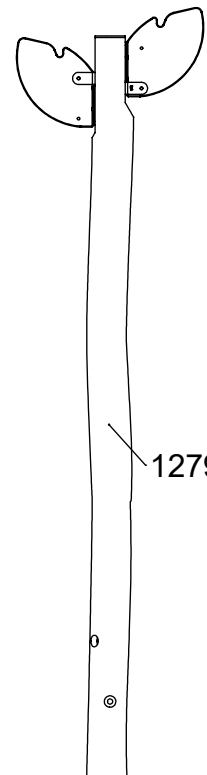
6x WD213



127933



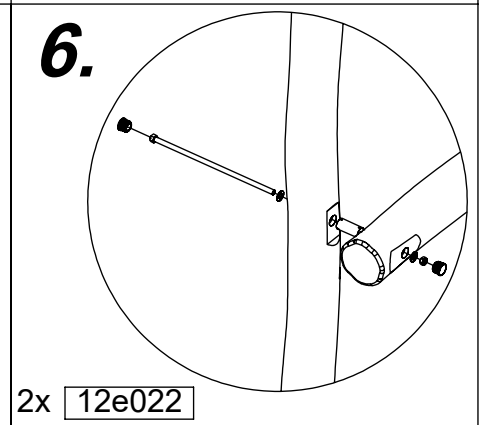
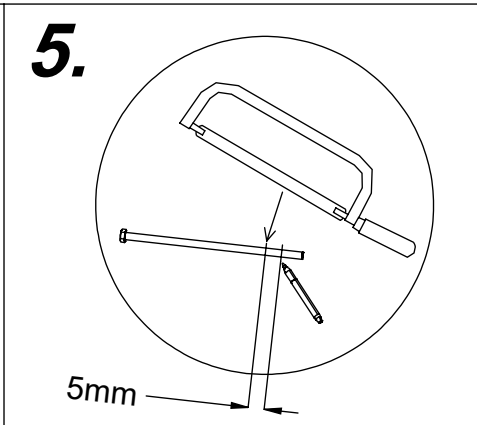
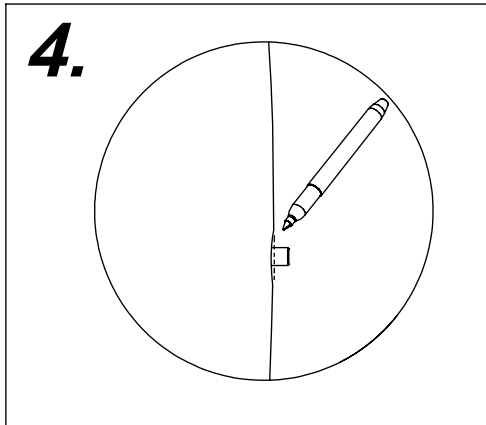
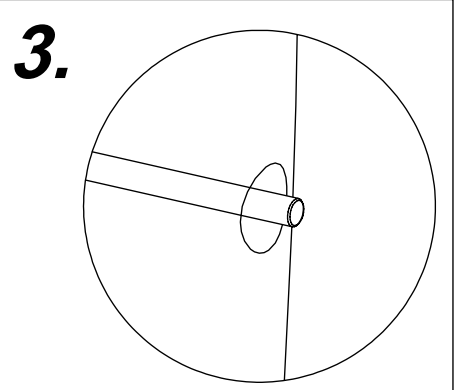
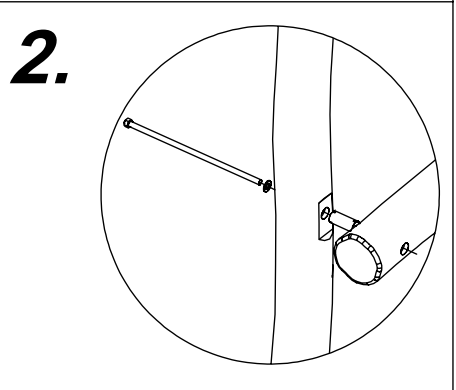
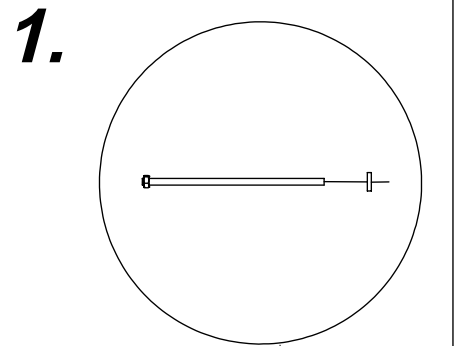
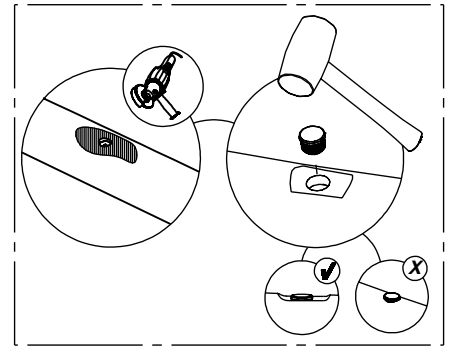
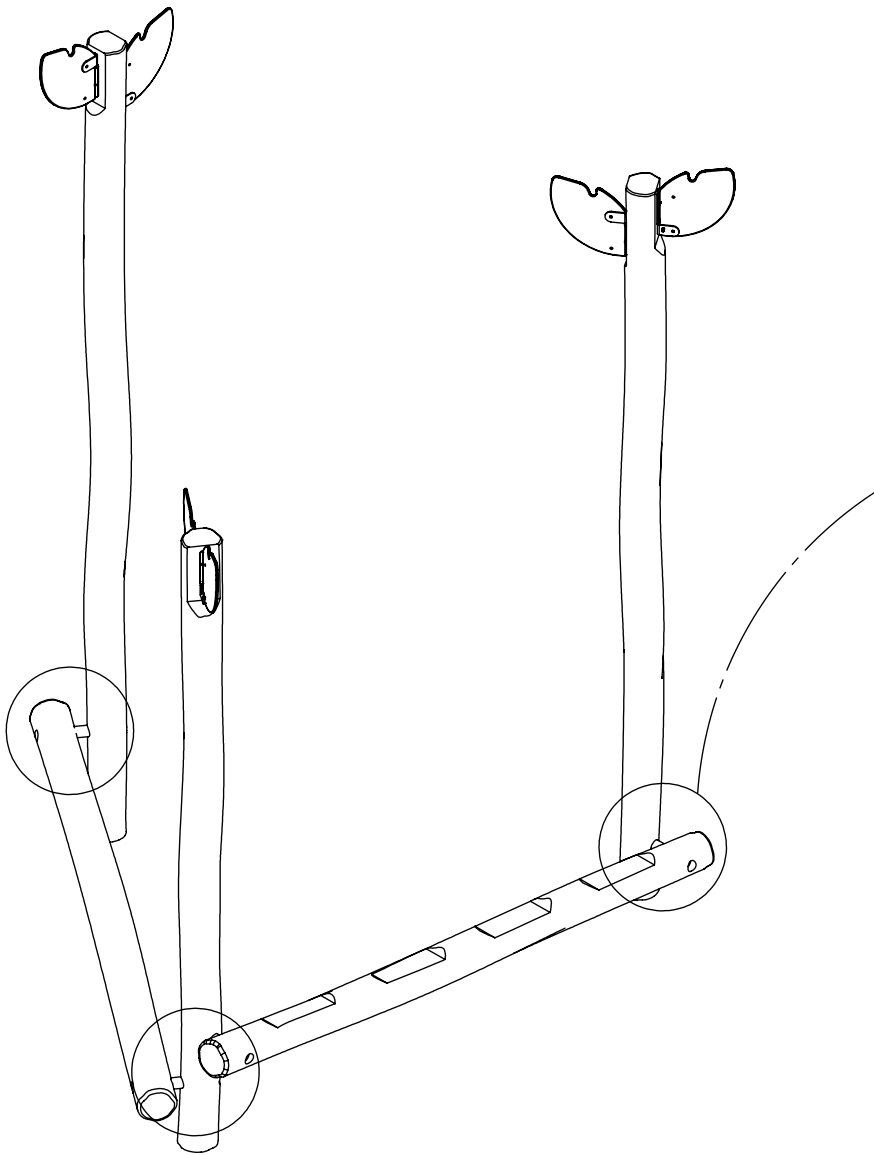
127934

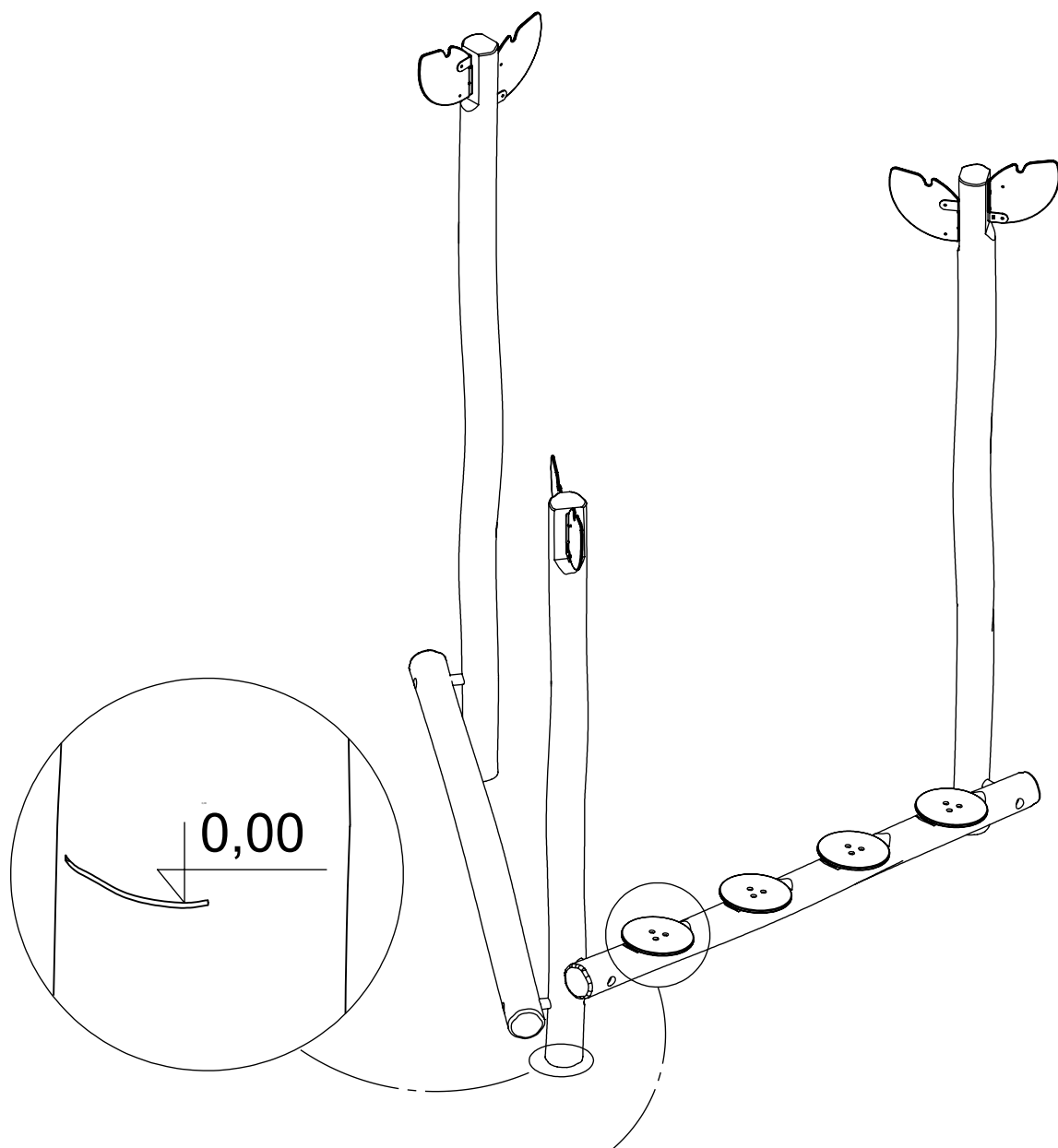


127935

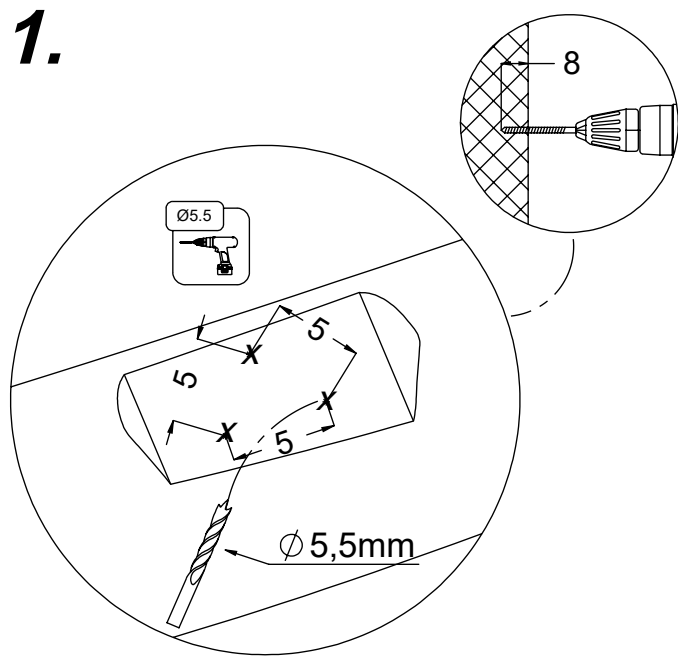
[cm]

vinci  
play

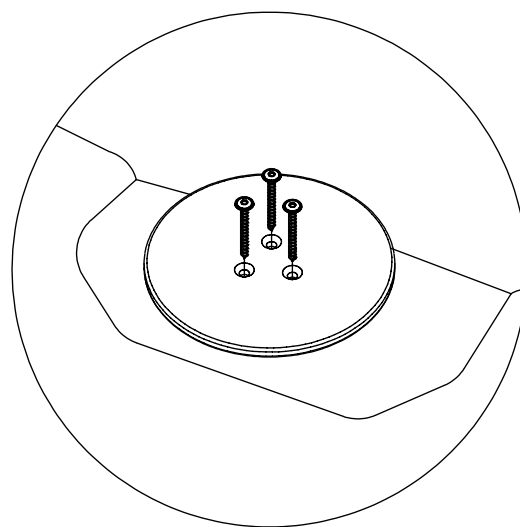




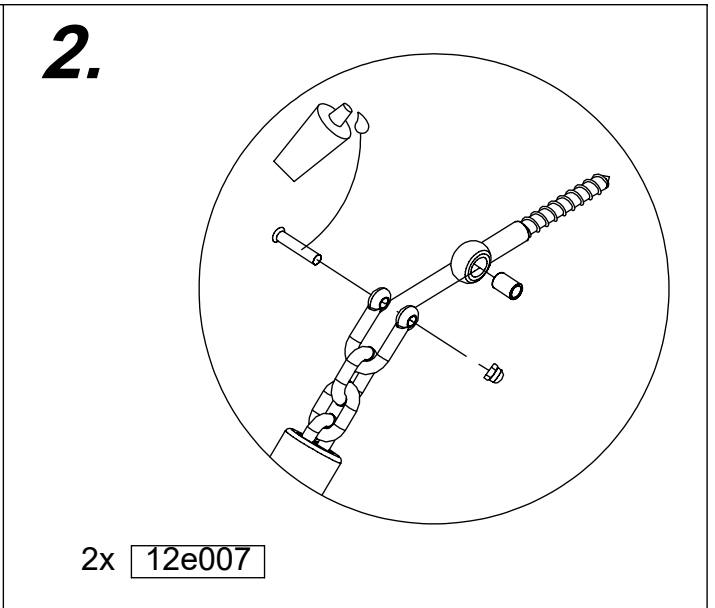
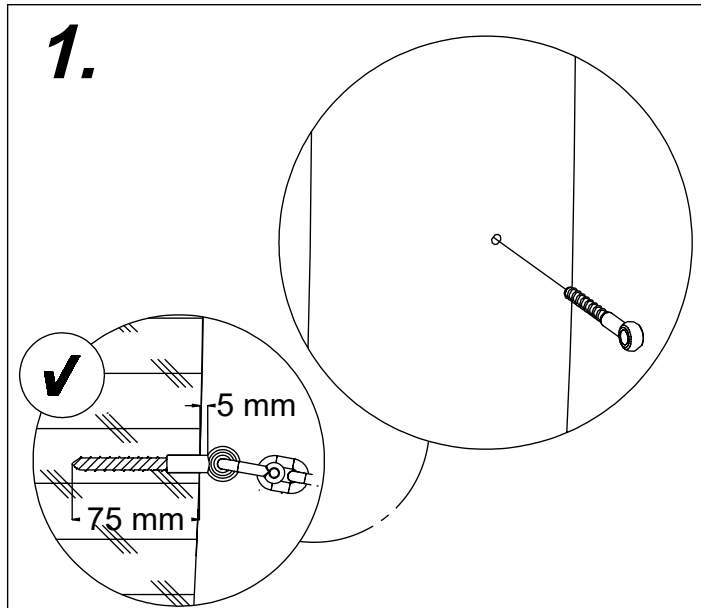
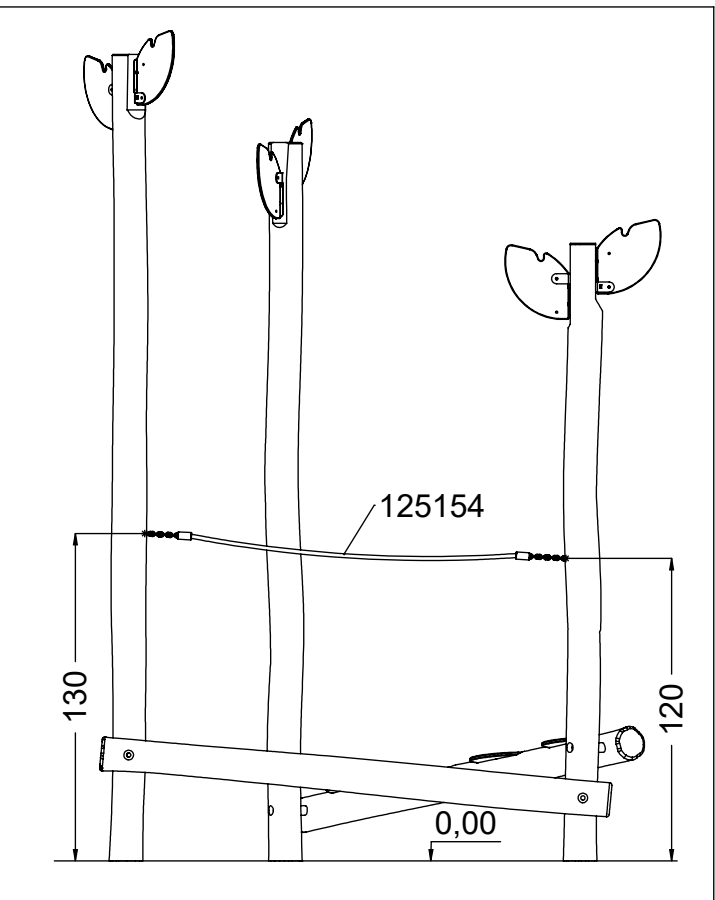
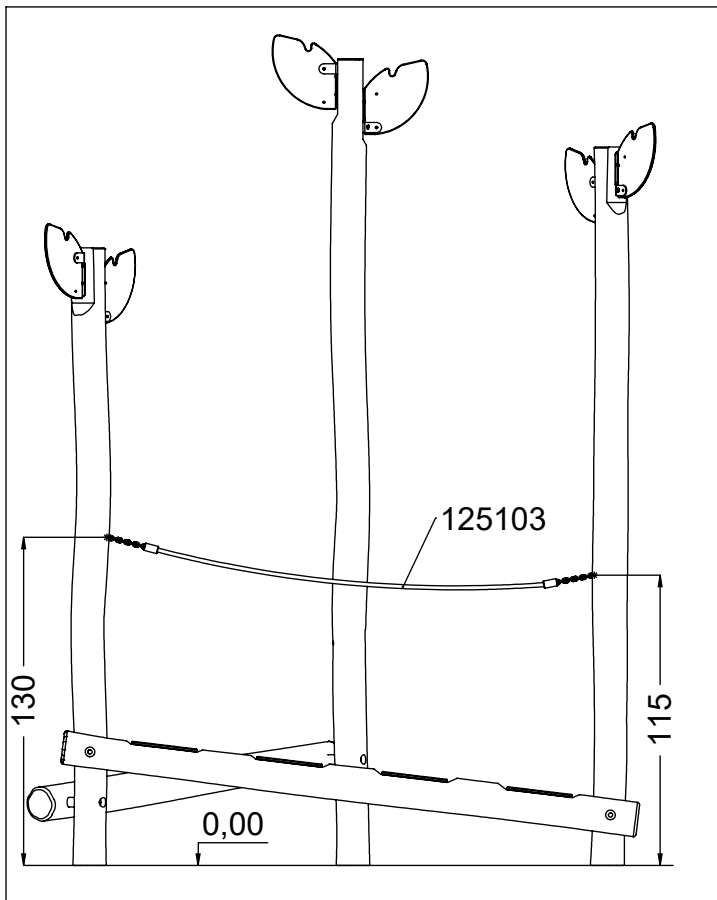
**1.**



**2.**

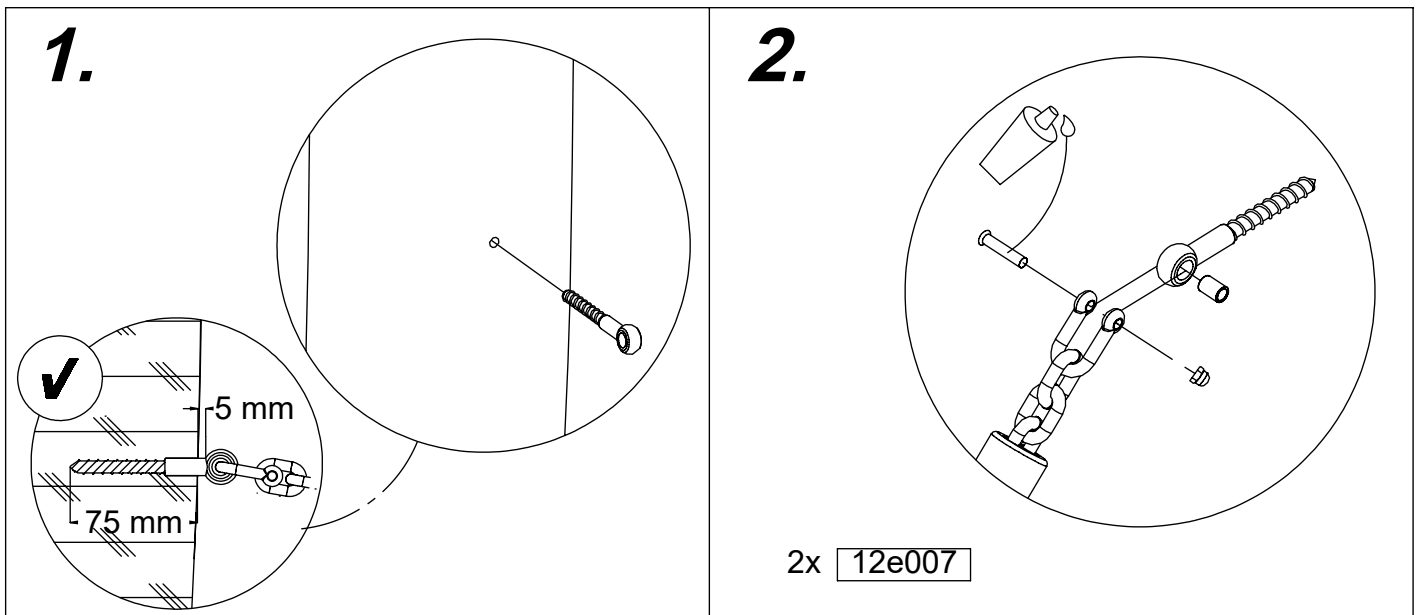
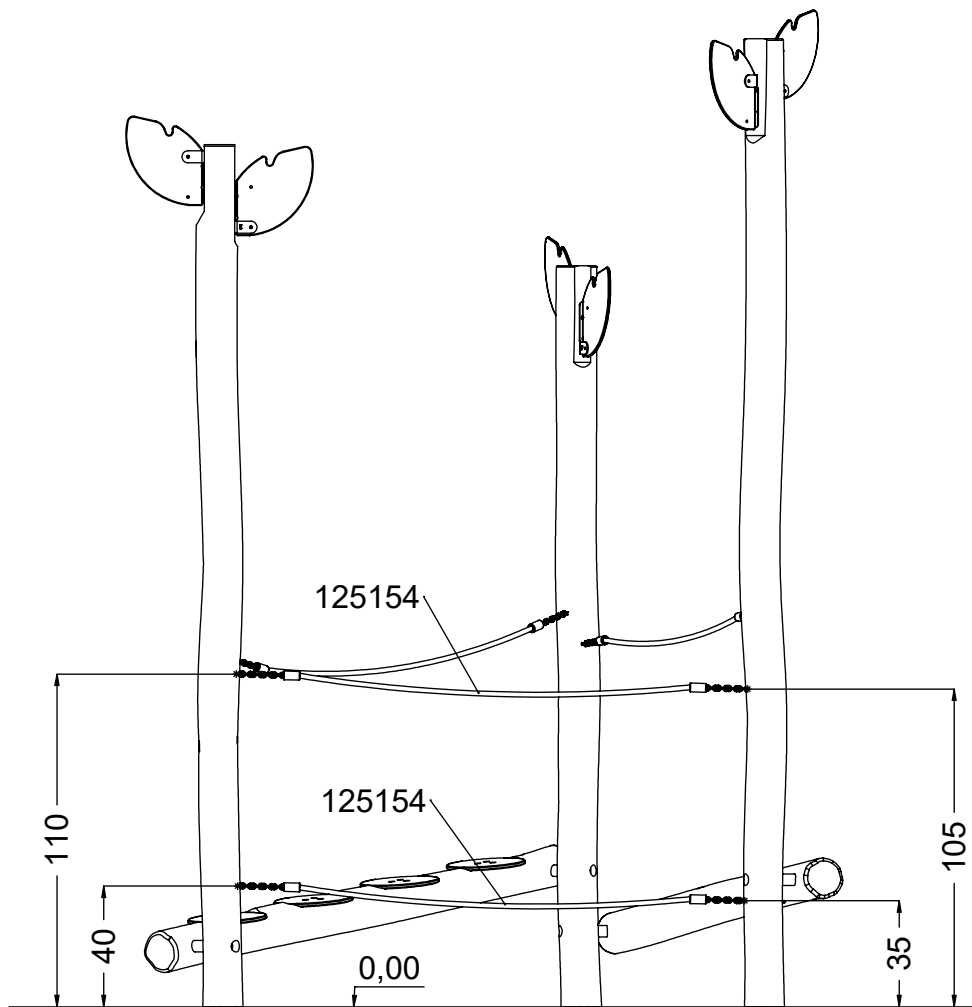


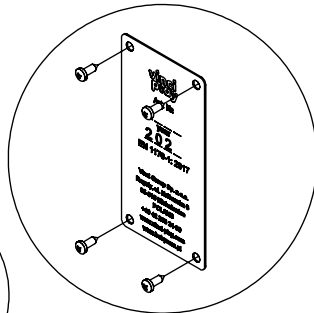
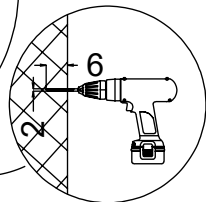
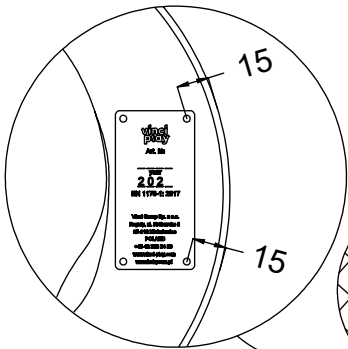
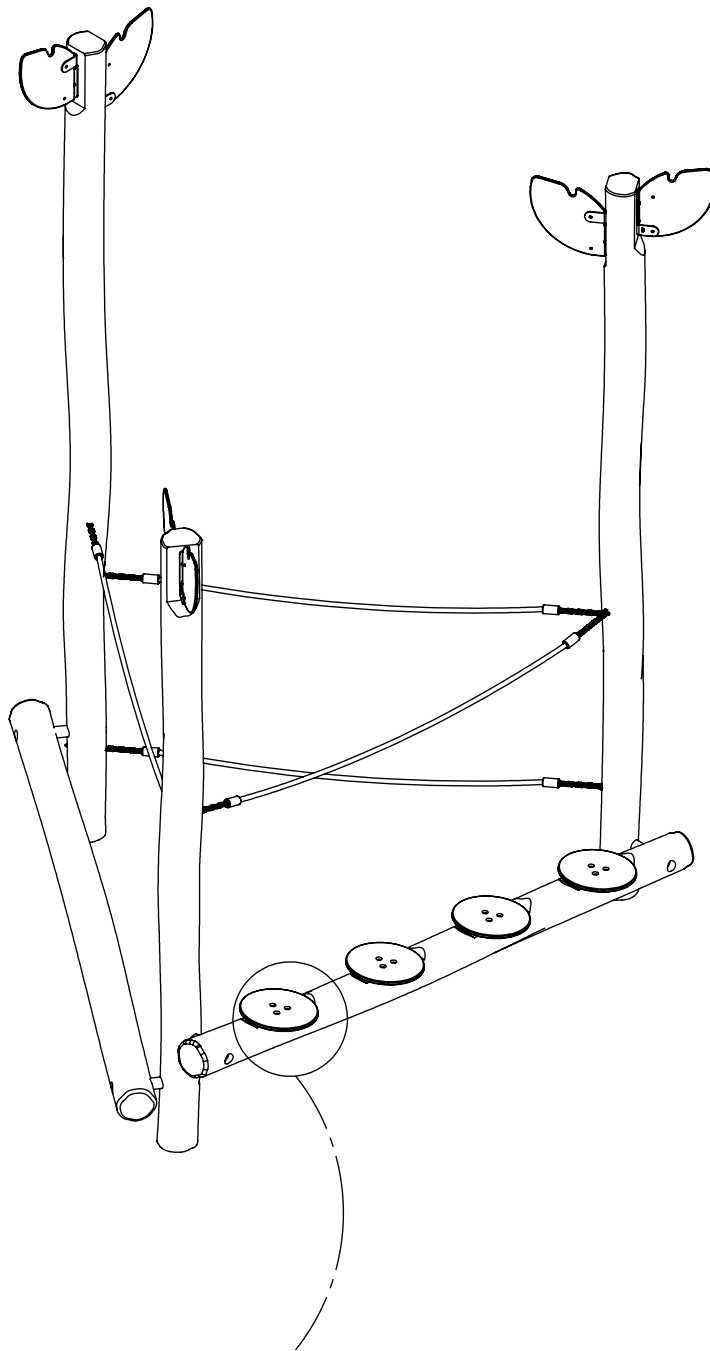
12x 8x80sxt



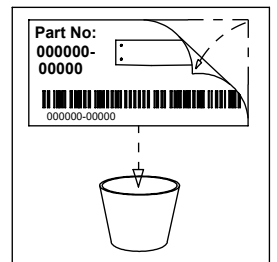
[cm]

vinci  
play





V001



[cm]

