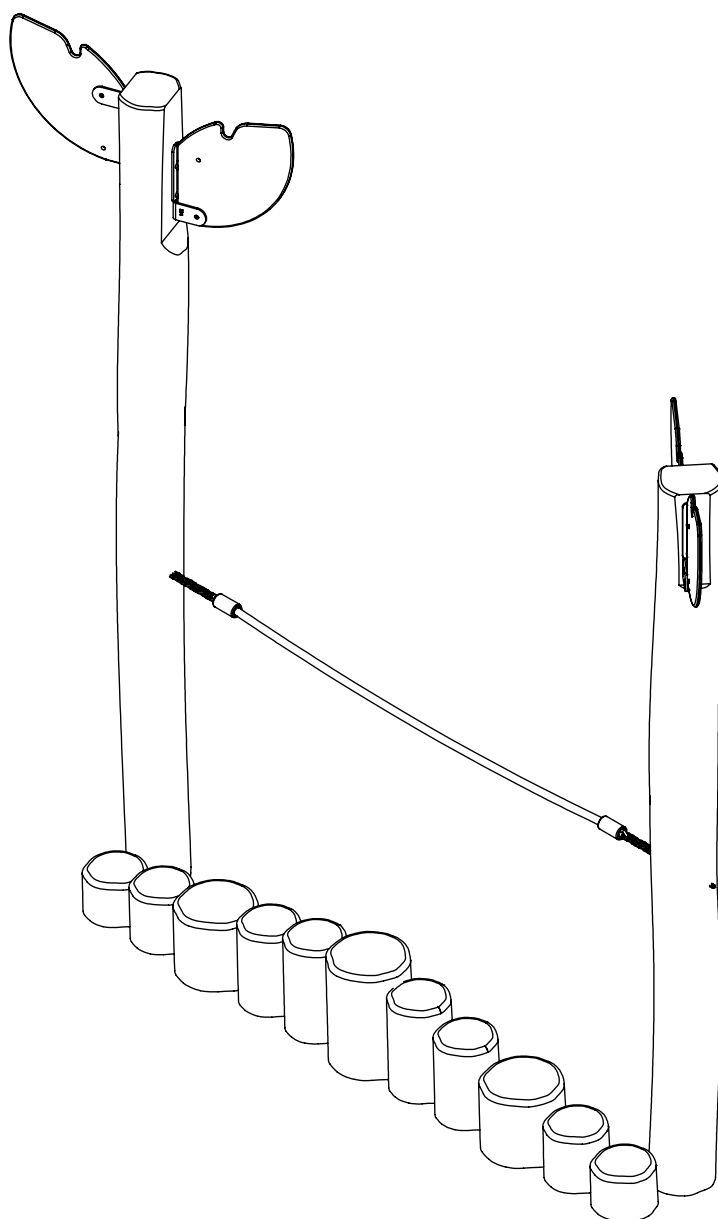
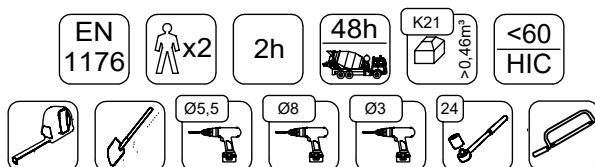


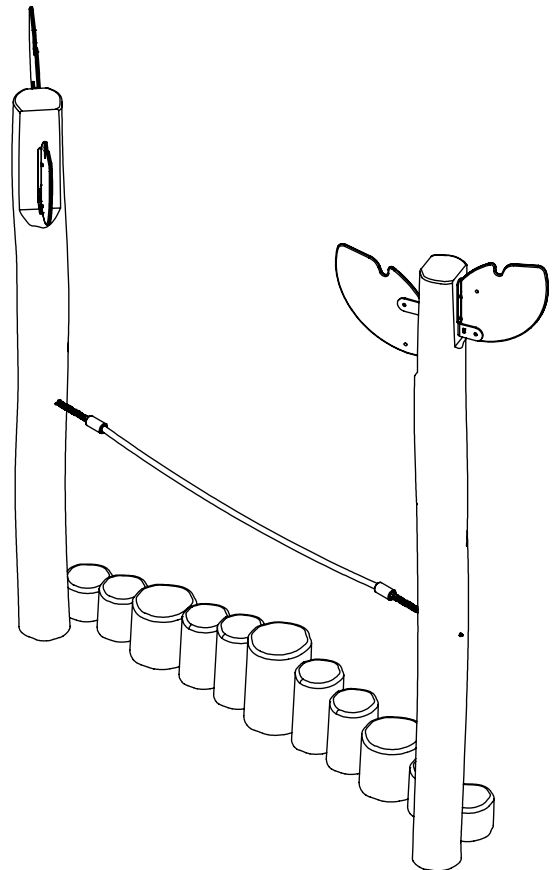
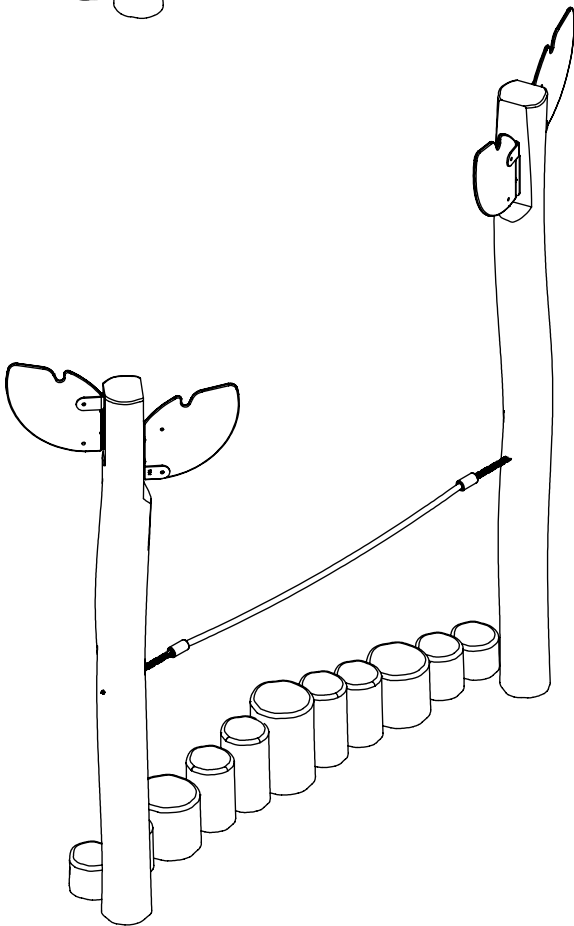
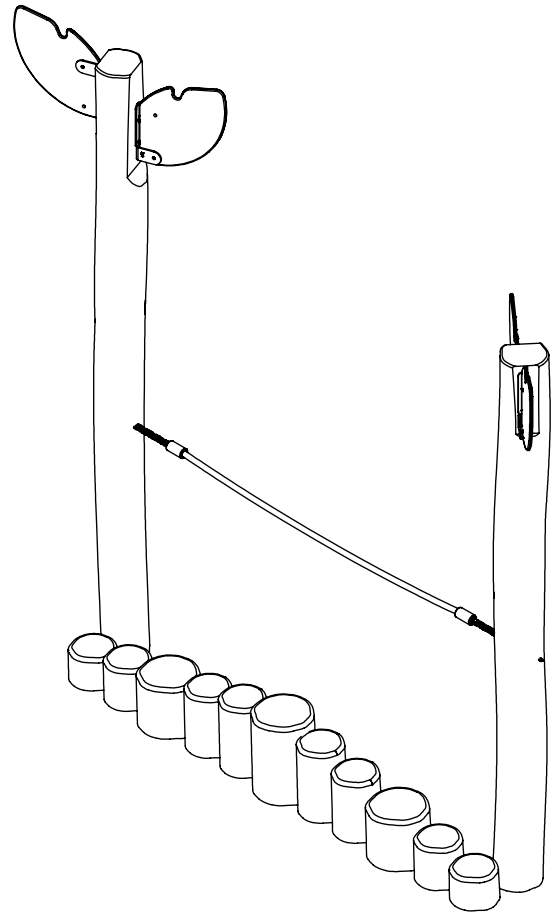
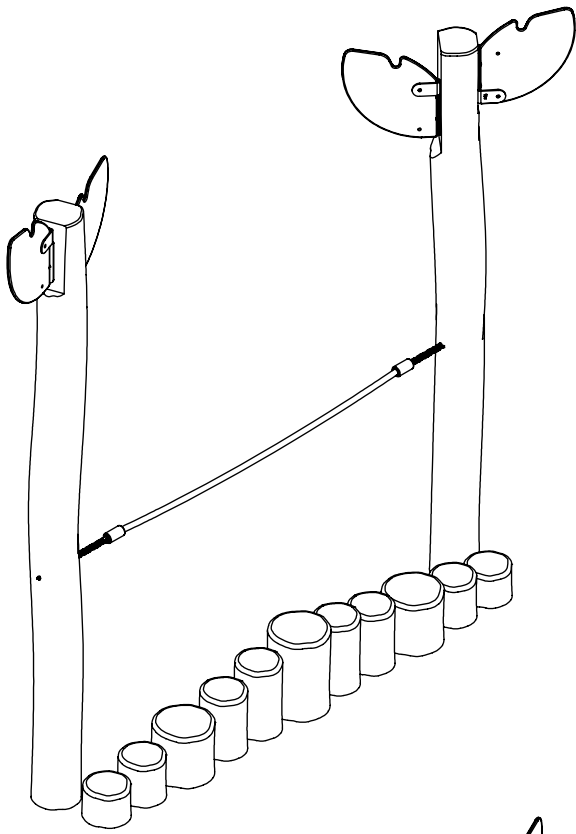
# RB1228



v010  
12.02.2024  
M.L.  
[cm]

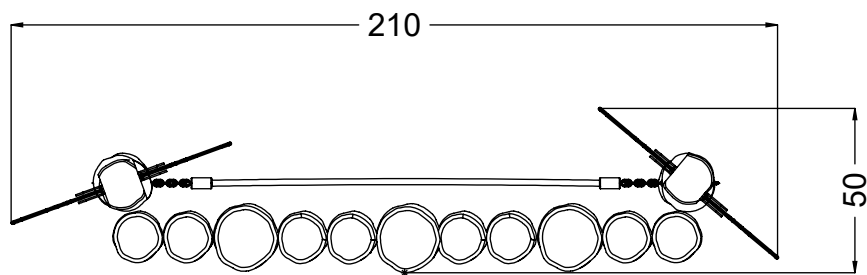
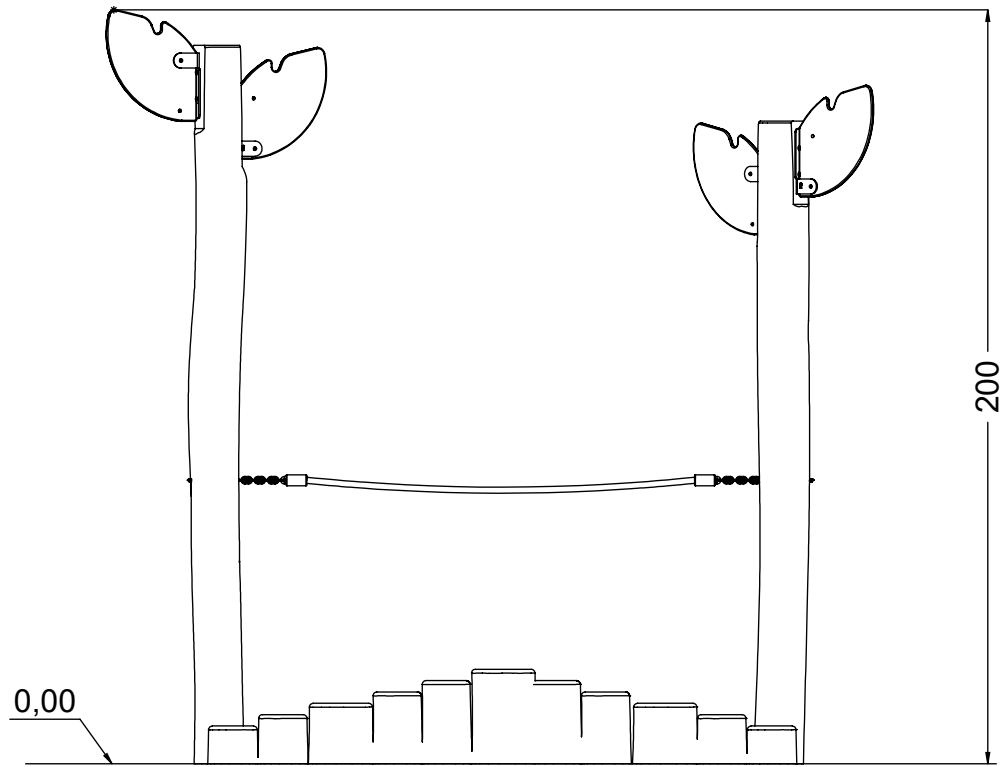


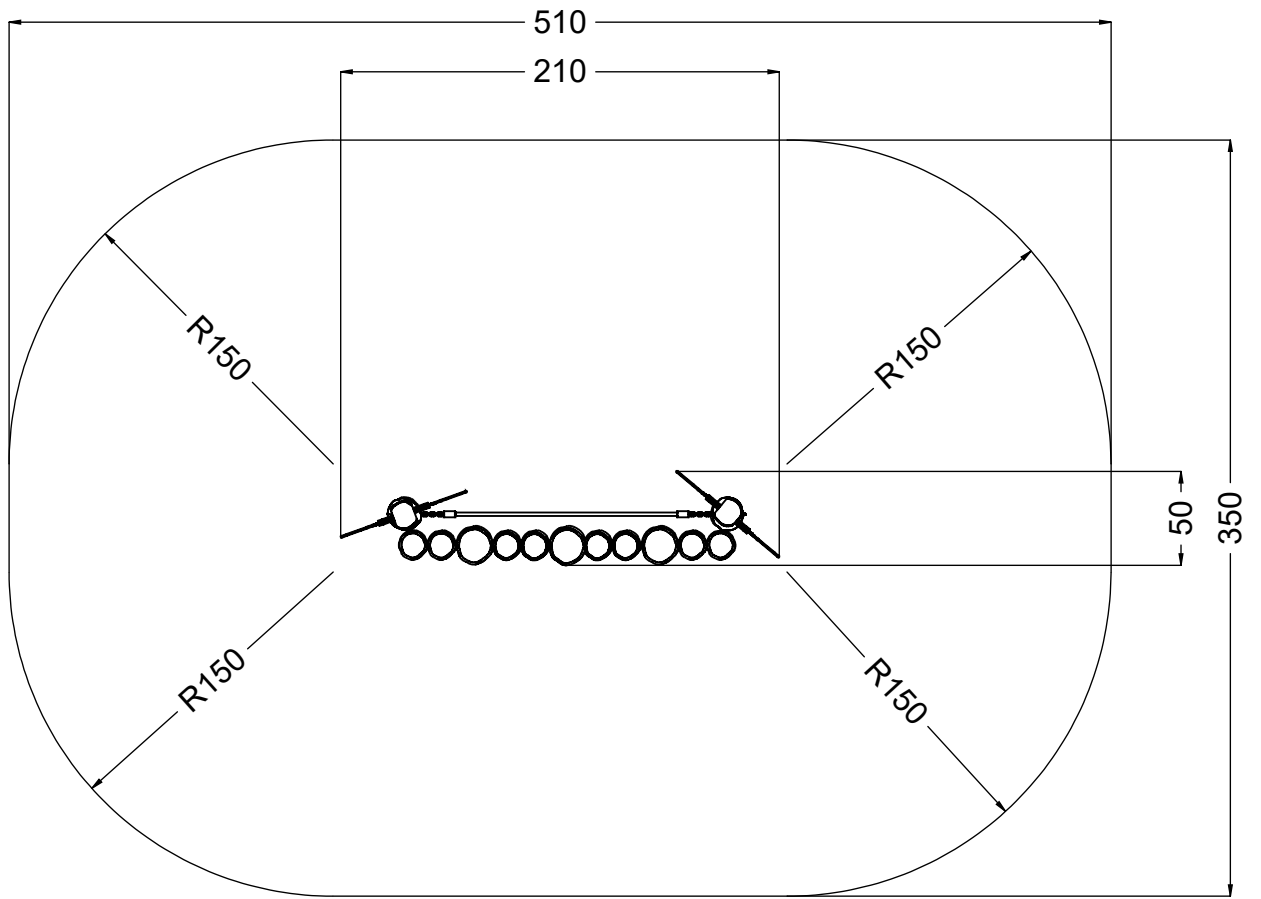
vinci  
play



[cm]

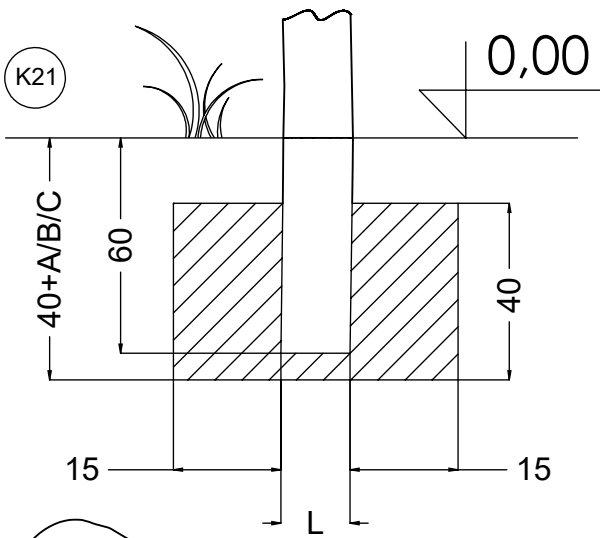
vinci  
play





K21

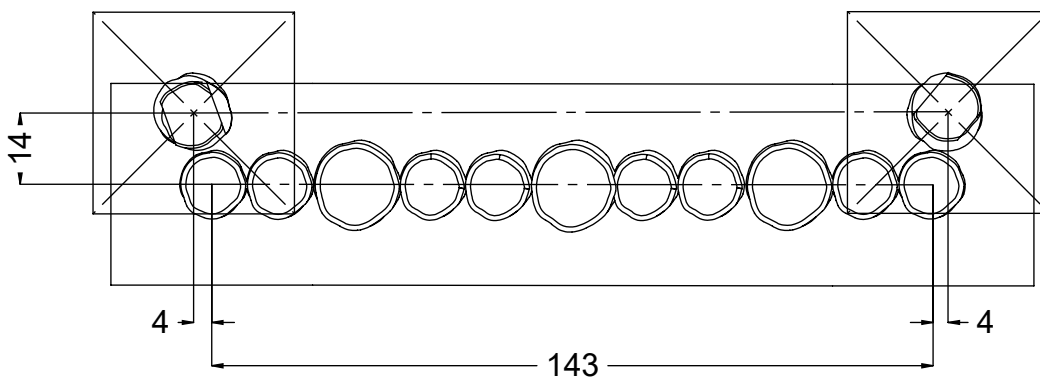
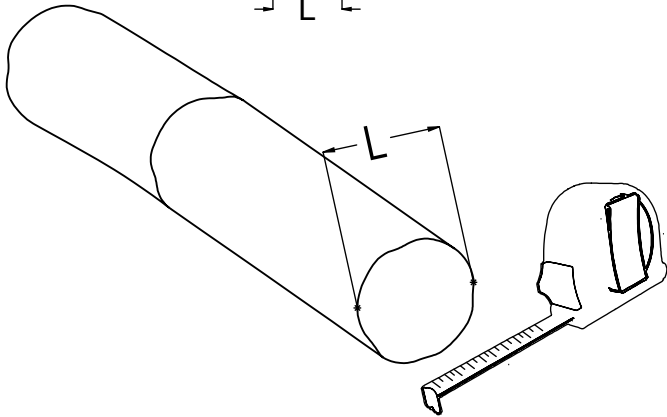
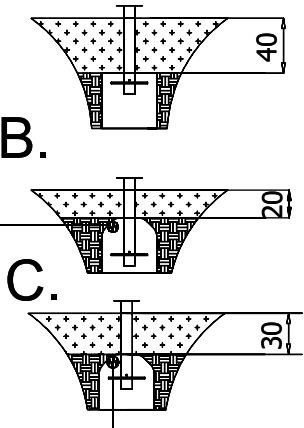
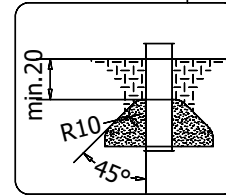
0,00



A.

B.

C.



[cm]



2h



vinci play



127950  
x1

127957  
x2

127956  
x2

127955  
x2

127954  
x2

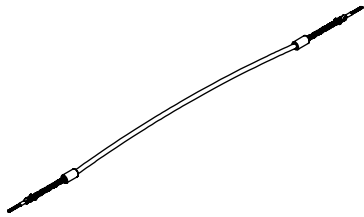
127953  
x2

127952  
x1

127951  
x1

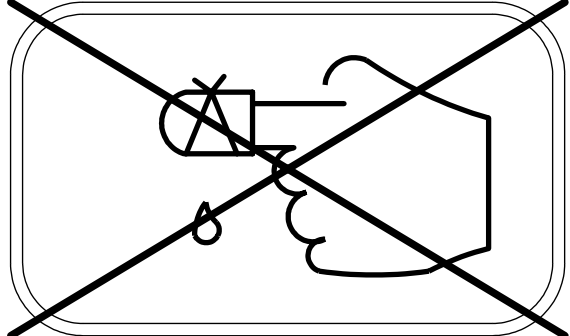
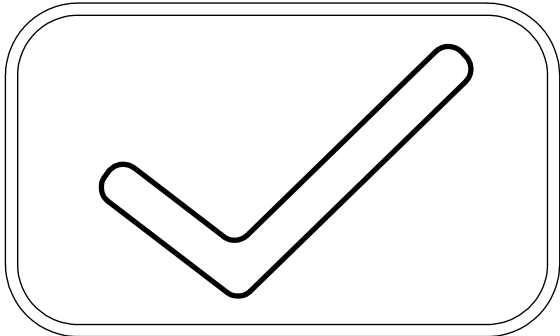
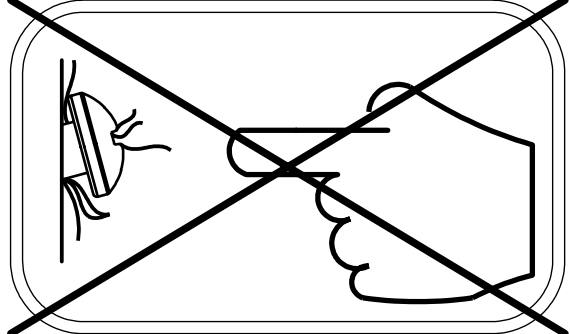
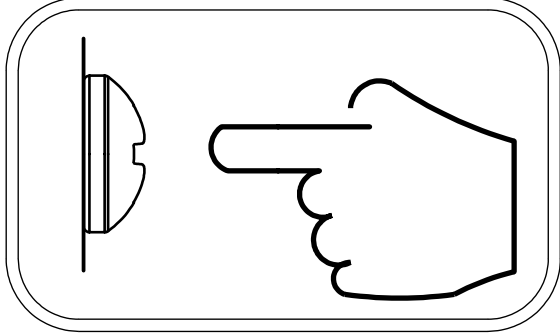
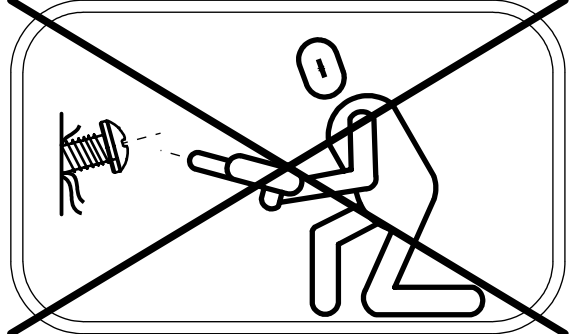
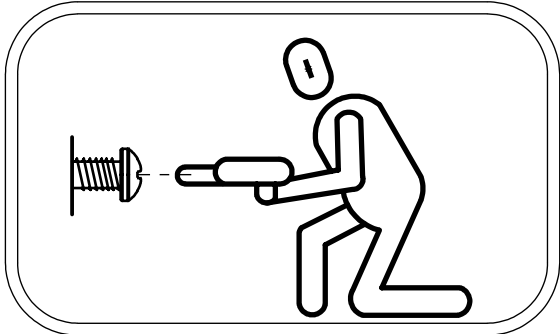


121199  
x4

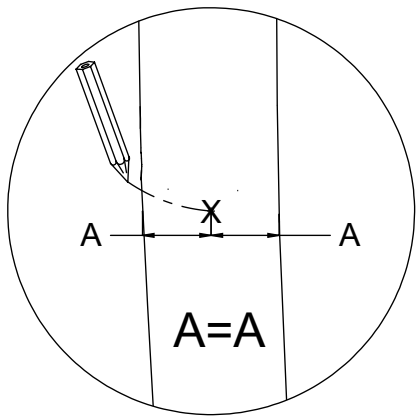


125131  
x1

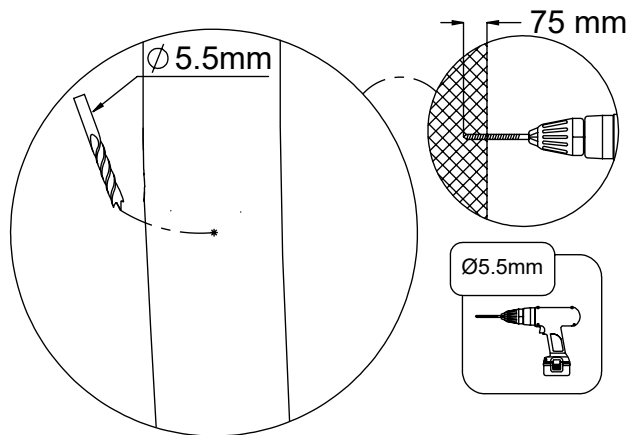
8x	8x50sxi
20x	8x180sxt
8x	WD213
4x	i030
1x	V001
1x	12e007



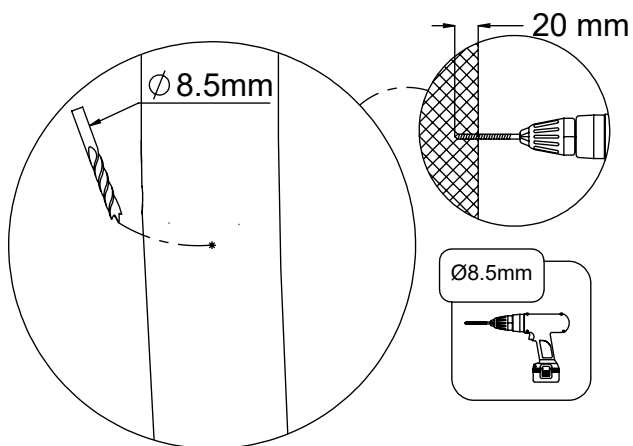
1.



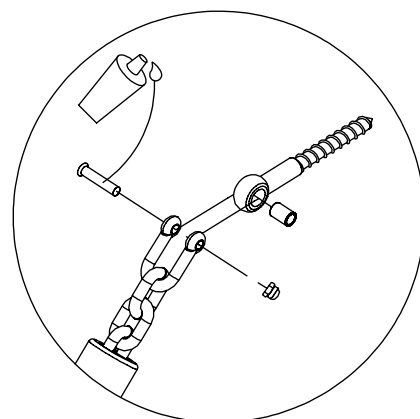
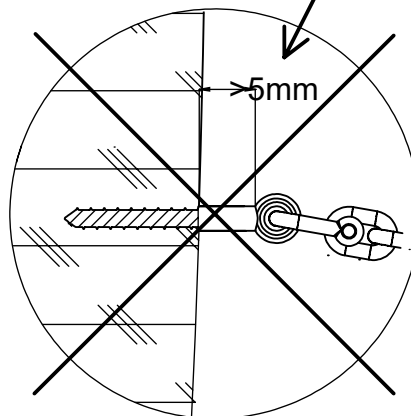
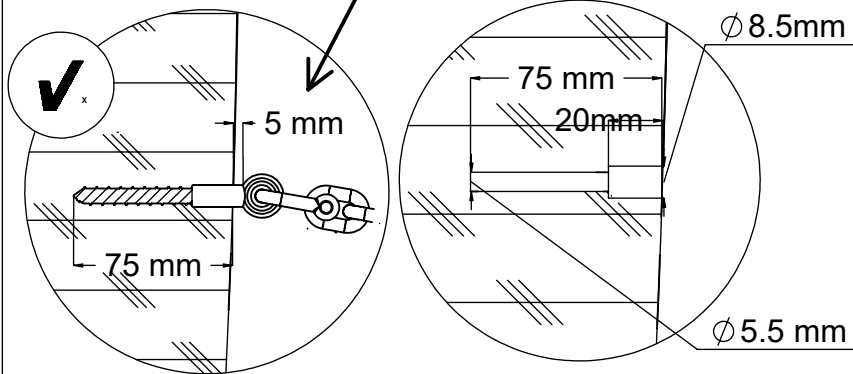
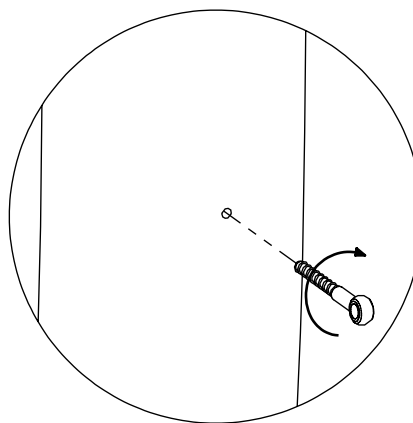
2.



3.



4.



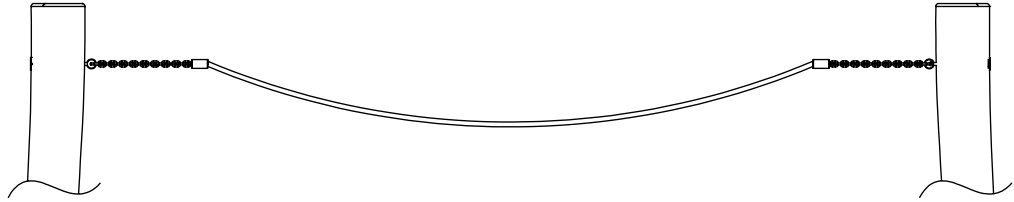
vinci  
play



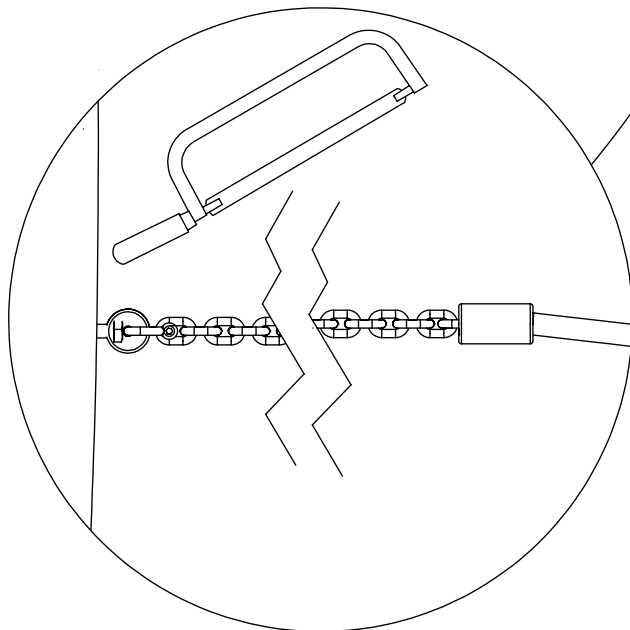
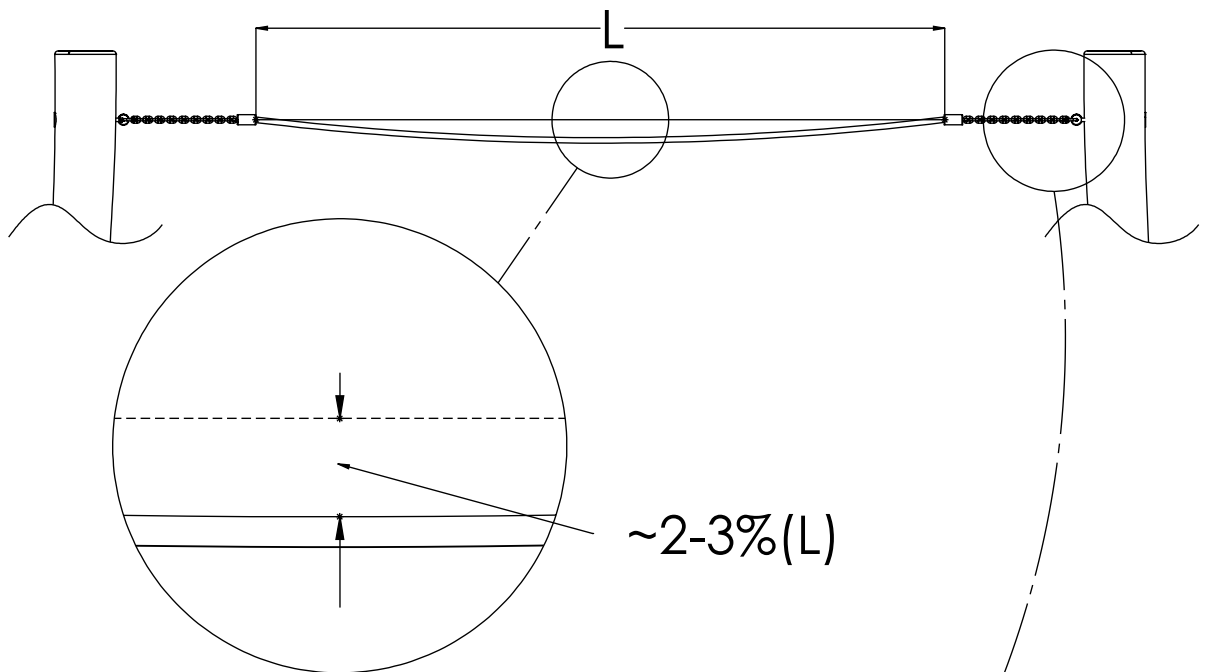
X



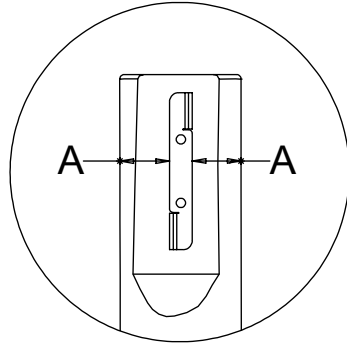
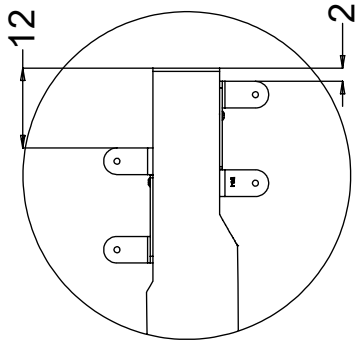
X



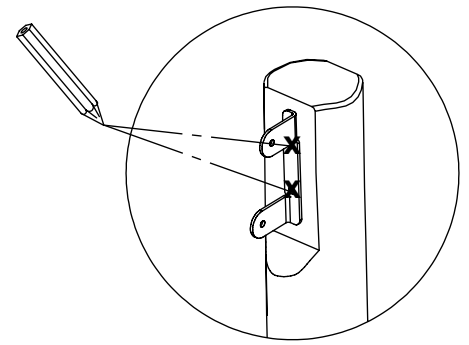
V



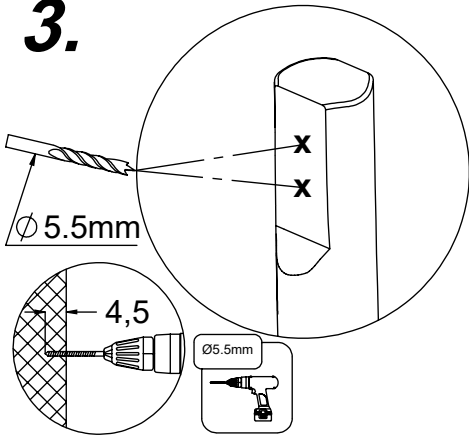
1.



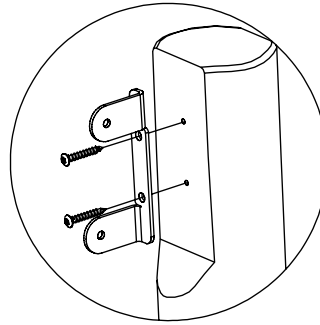
2.



3.

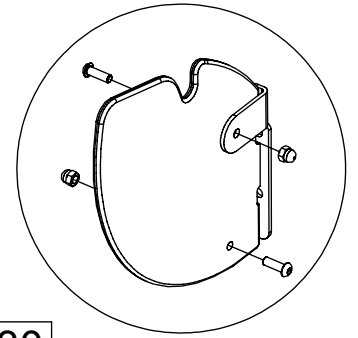


4.



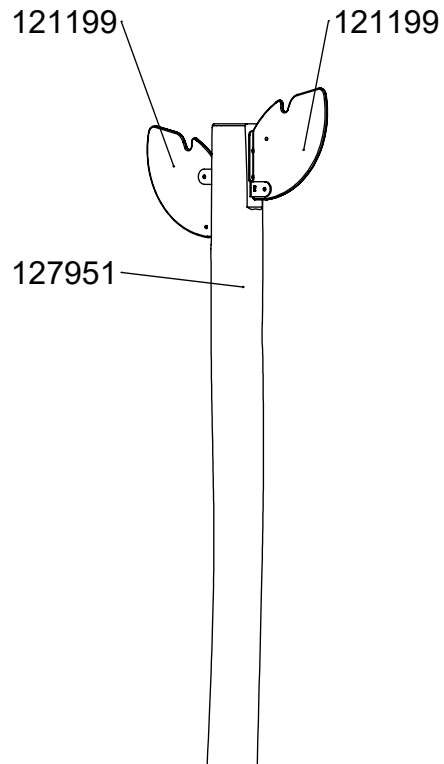
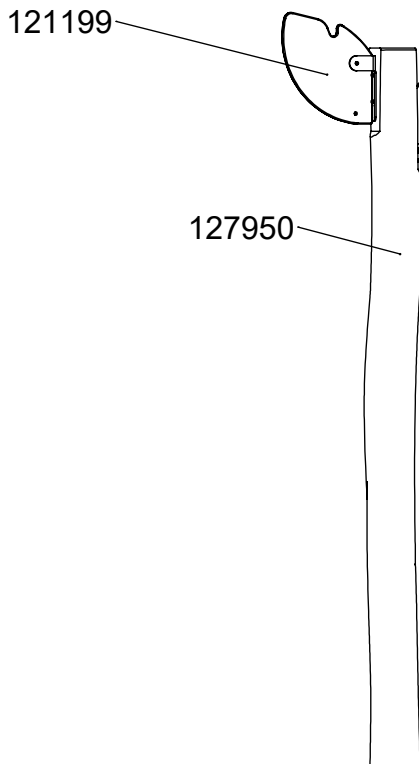
8x **8x50sxi**

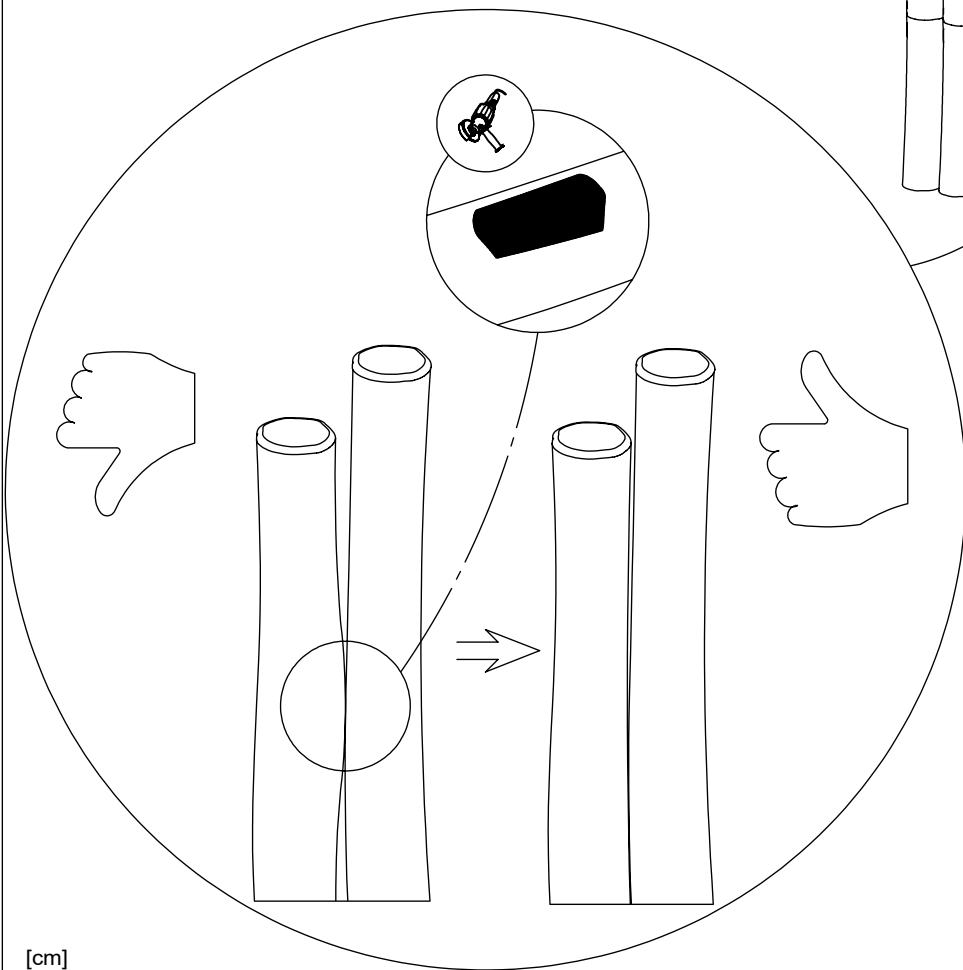
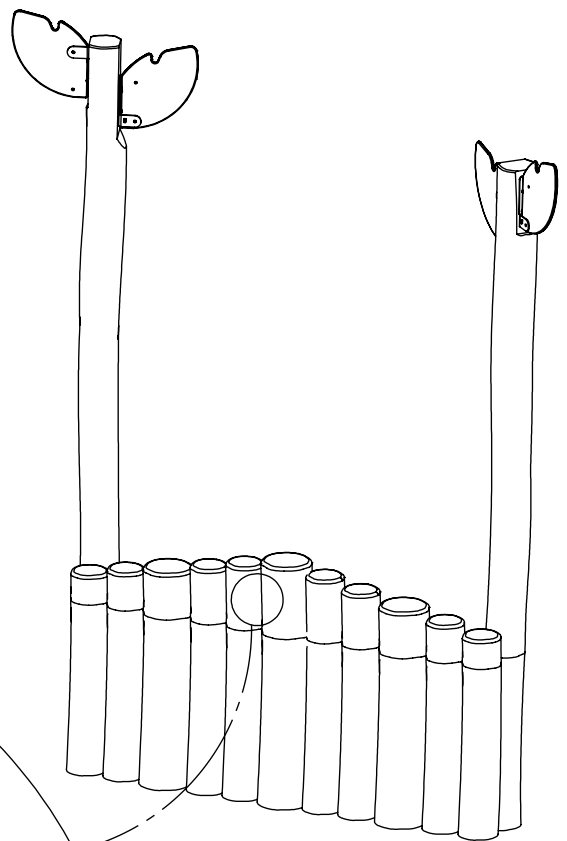
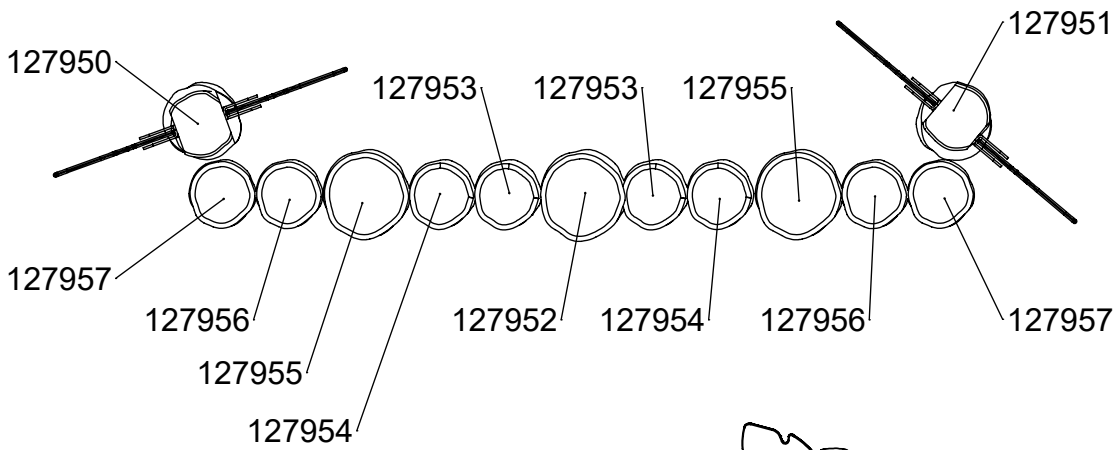
5.



4x **i030**

8x **WD213**

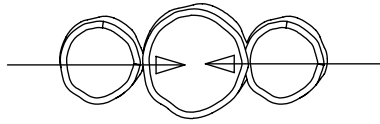




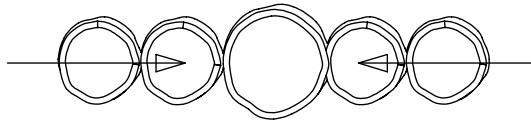
[cm]

vinci  
play

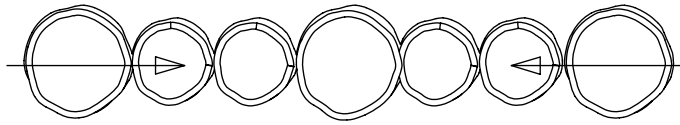
1



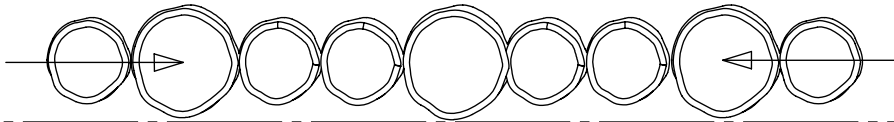
2



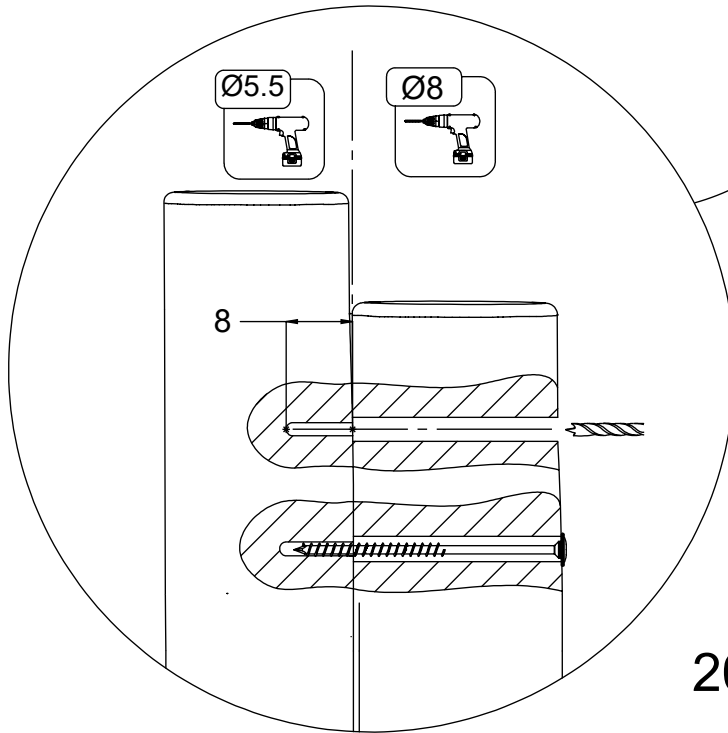
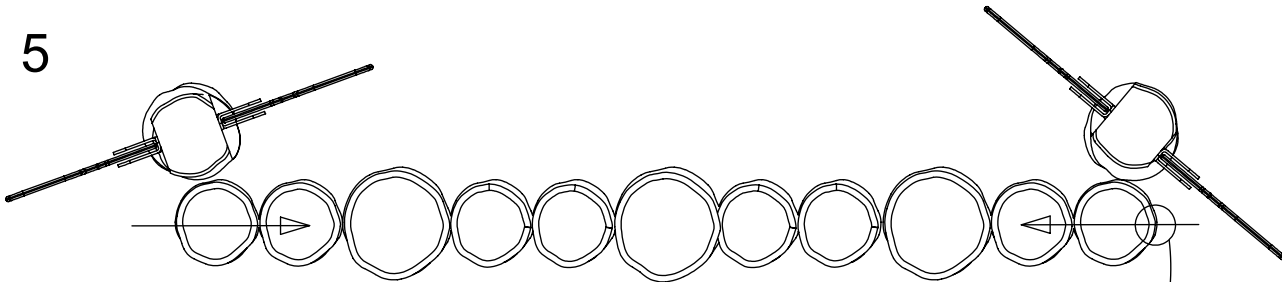
3



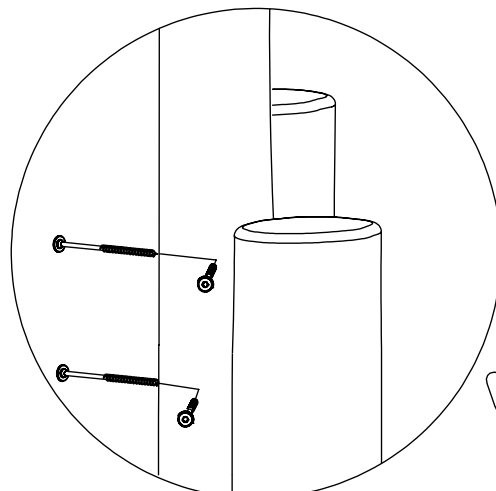
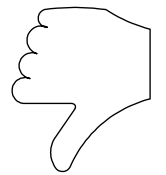
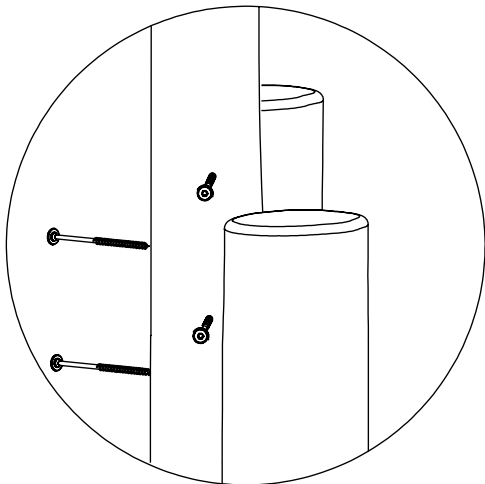
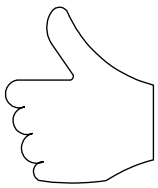
4



5

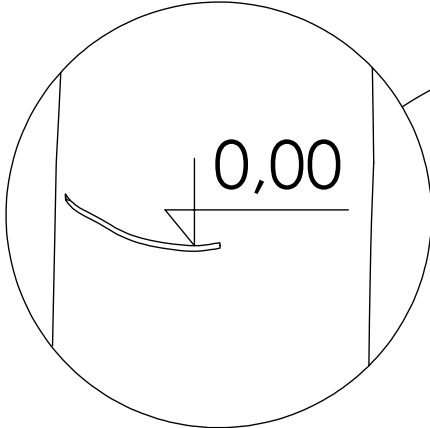
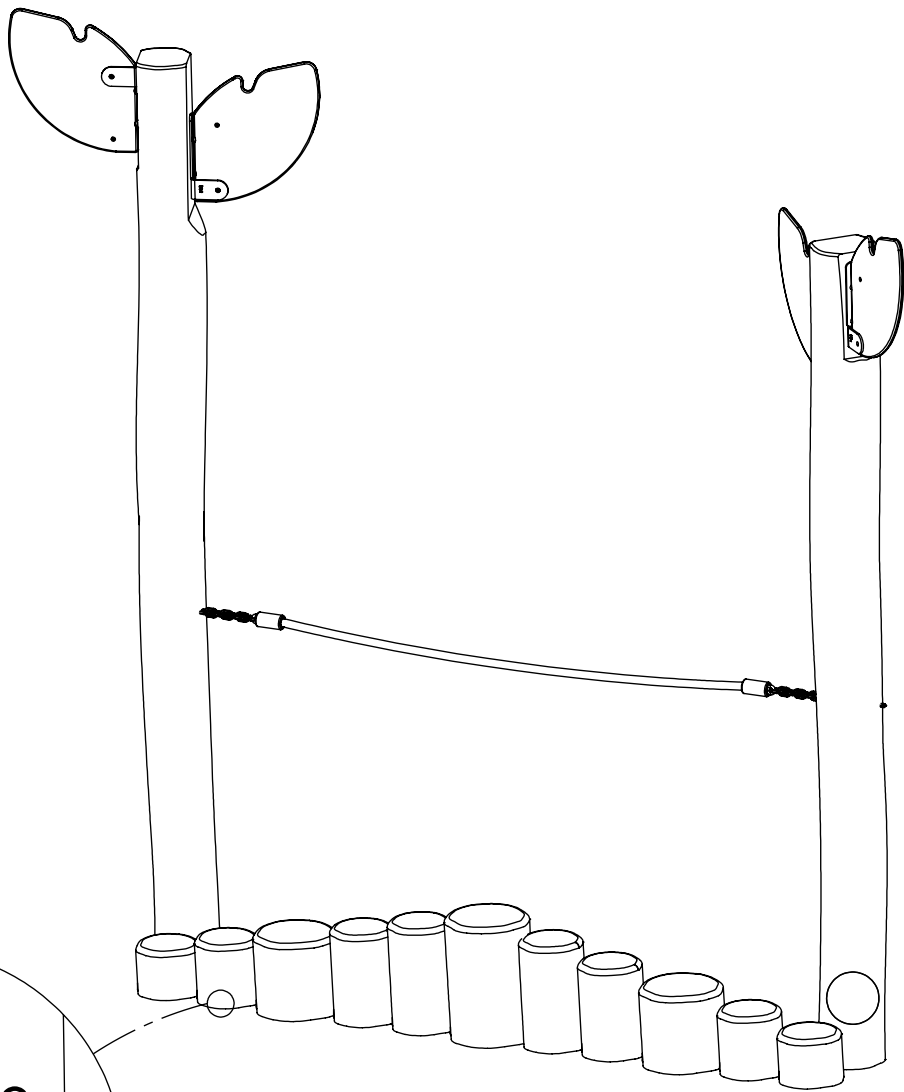


20x 8x180sxt



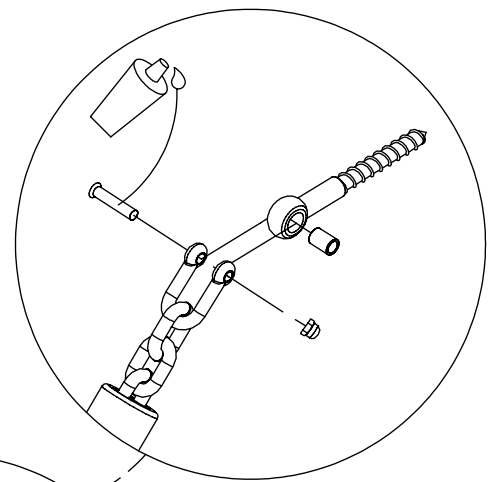
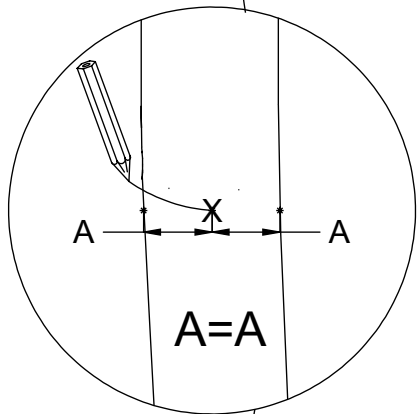
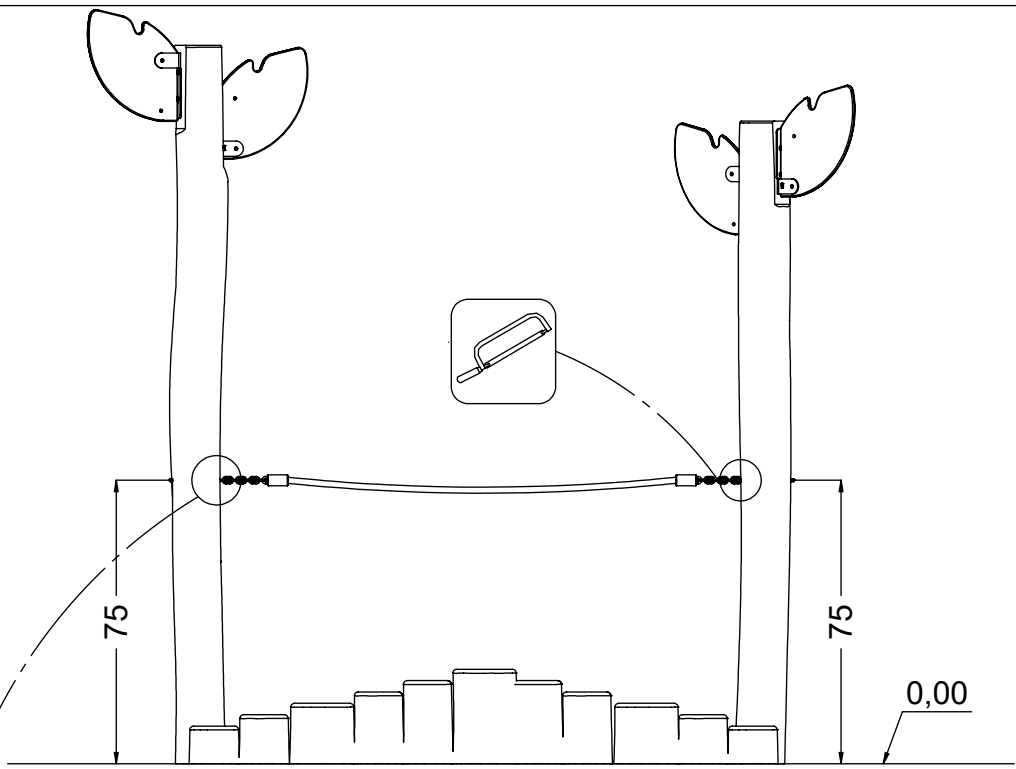
vinci play

[cm]

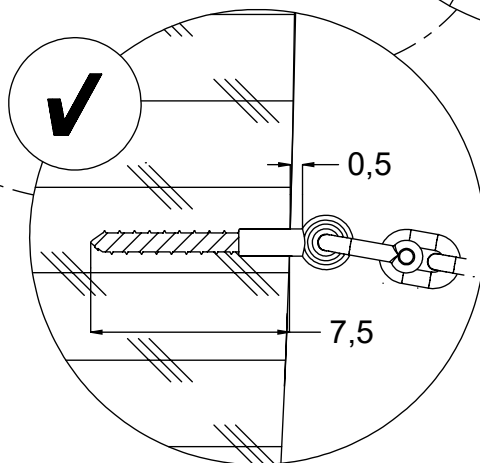
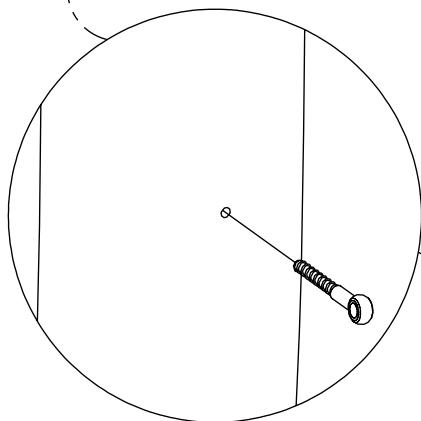


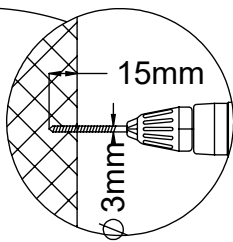
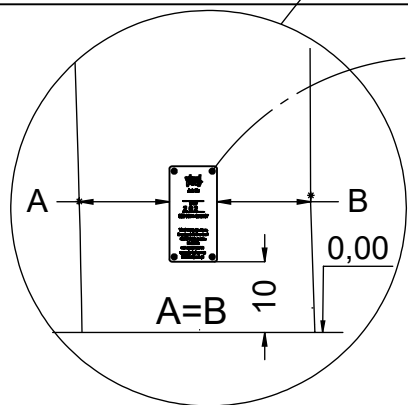
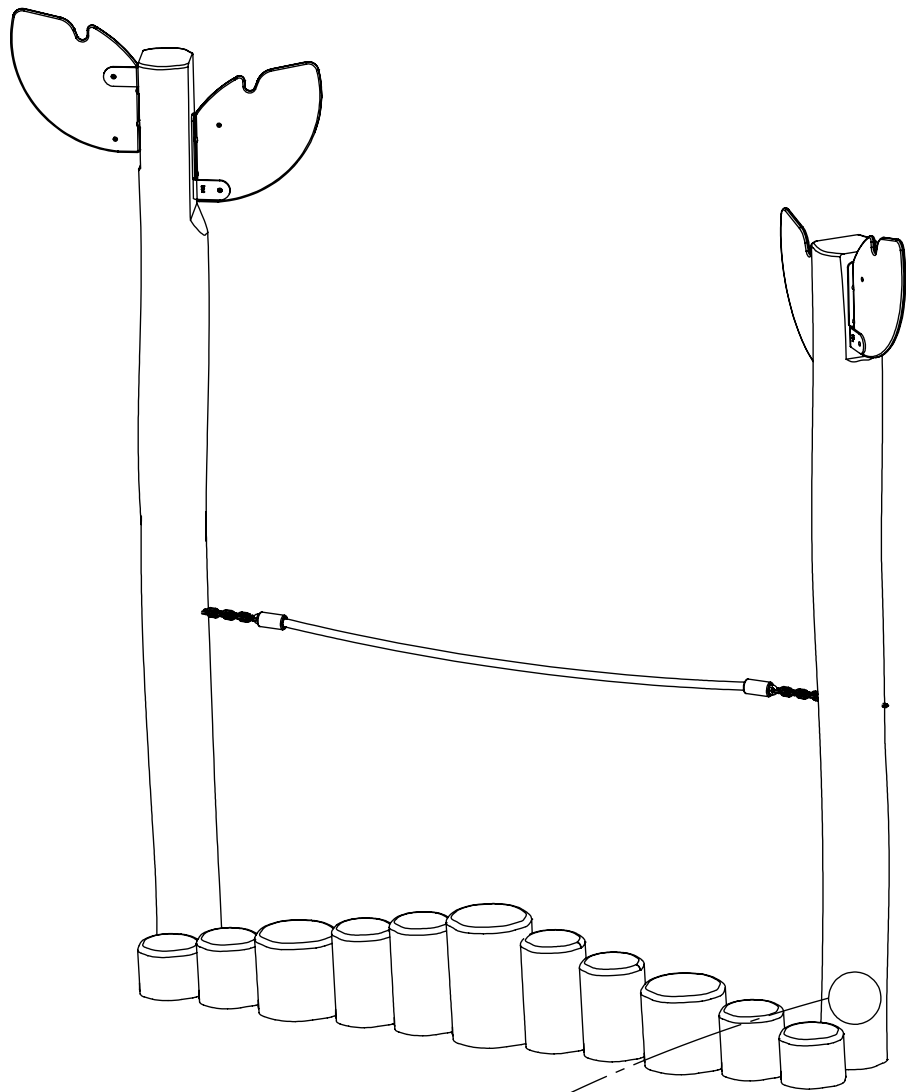
[cm]

vinci  
play

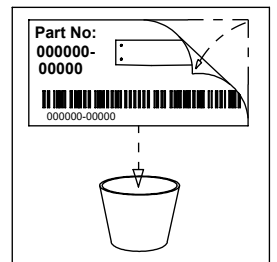


1x 12e007





V001



[cm]

vinci  
play