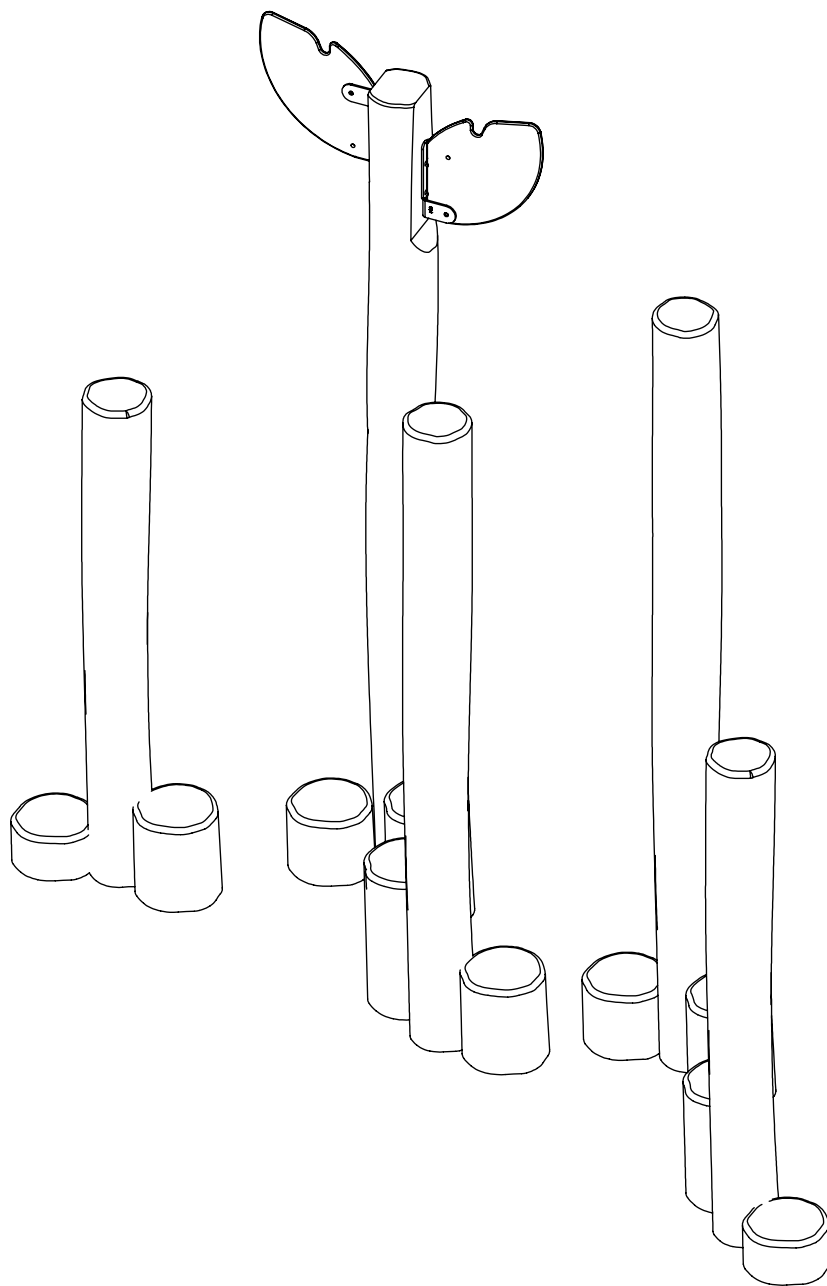
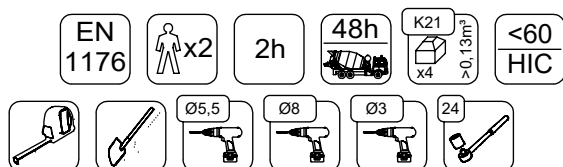


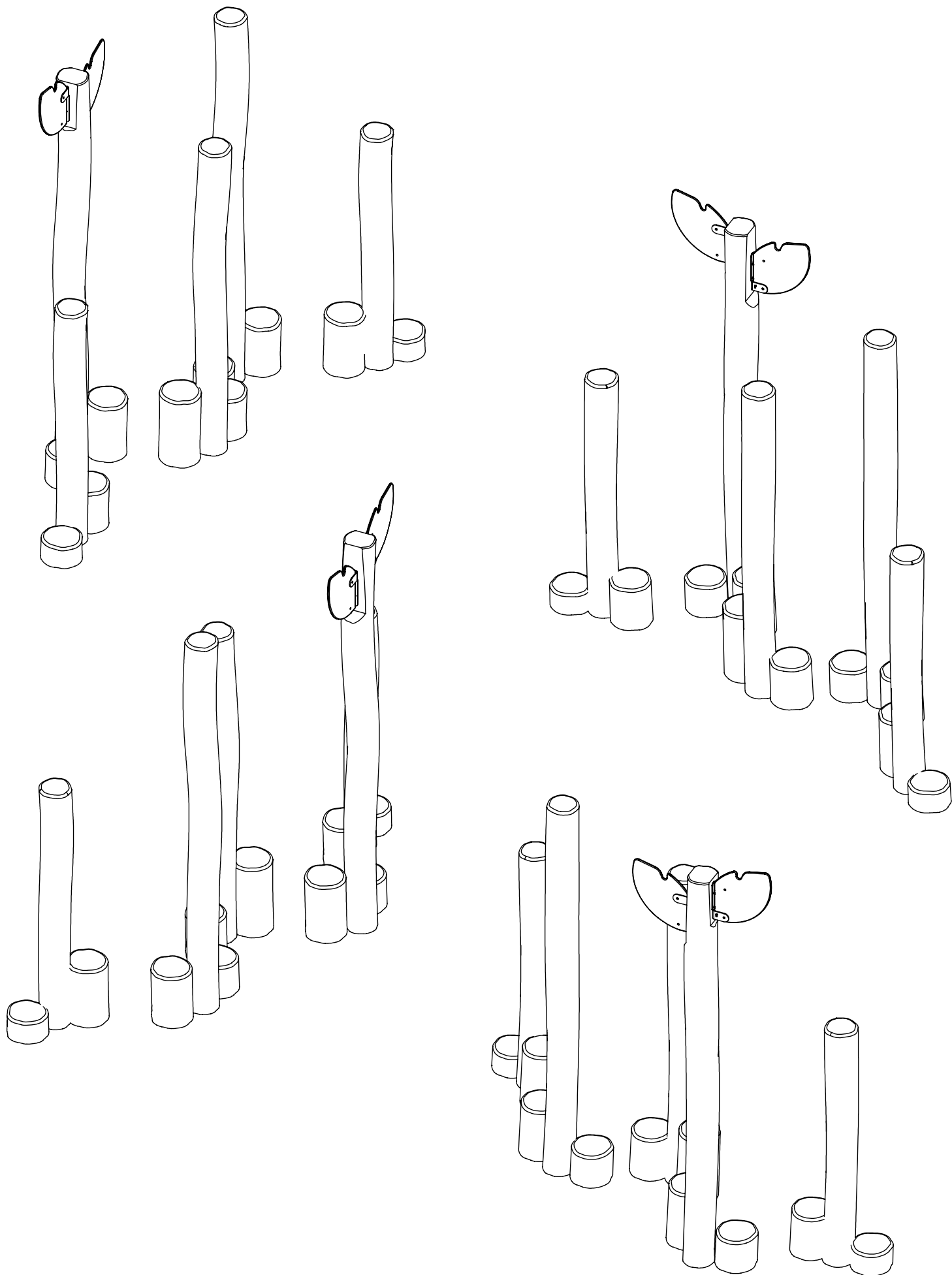
RB1227



v010
09.02.2024
M.L.
[cm]

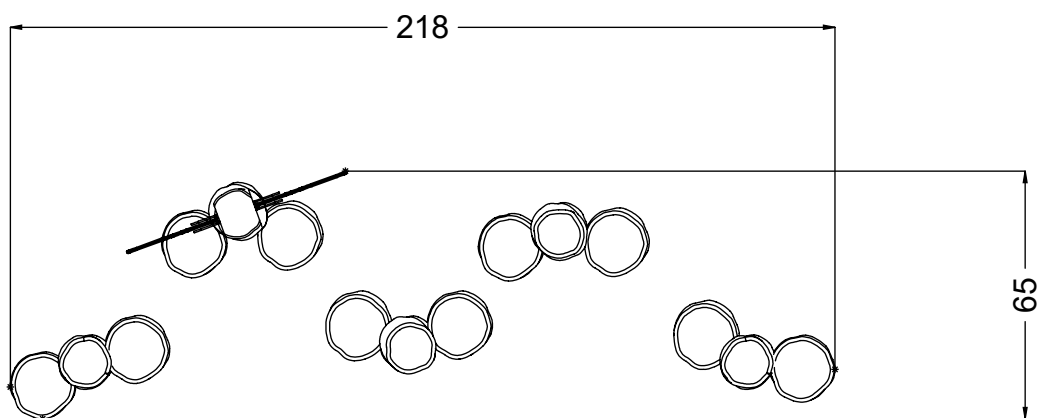
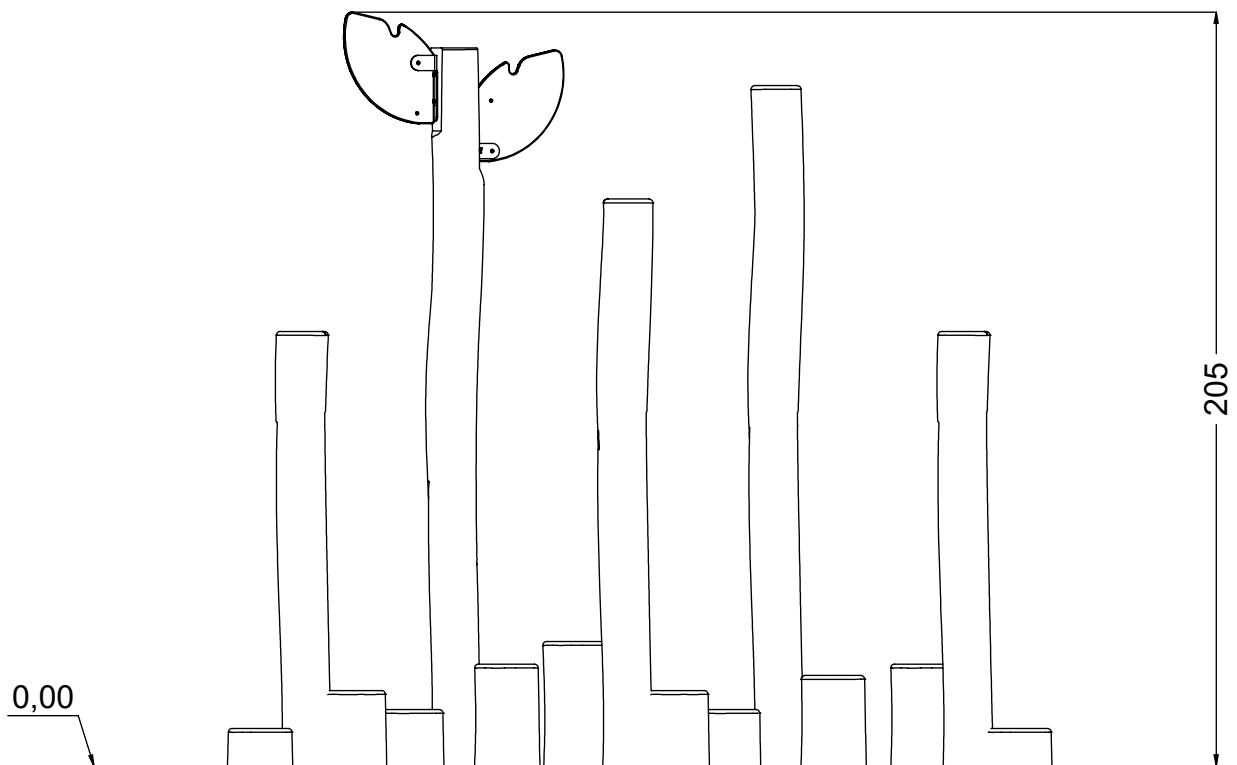


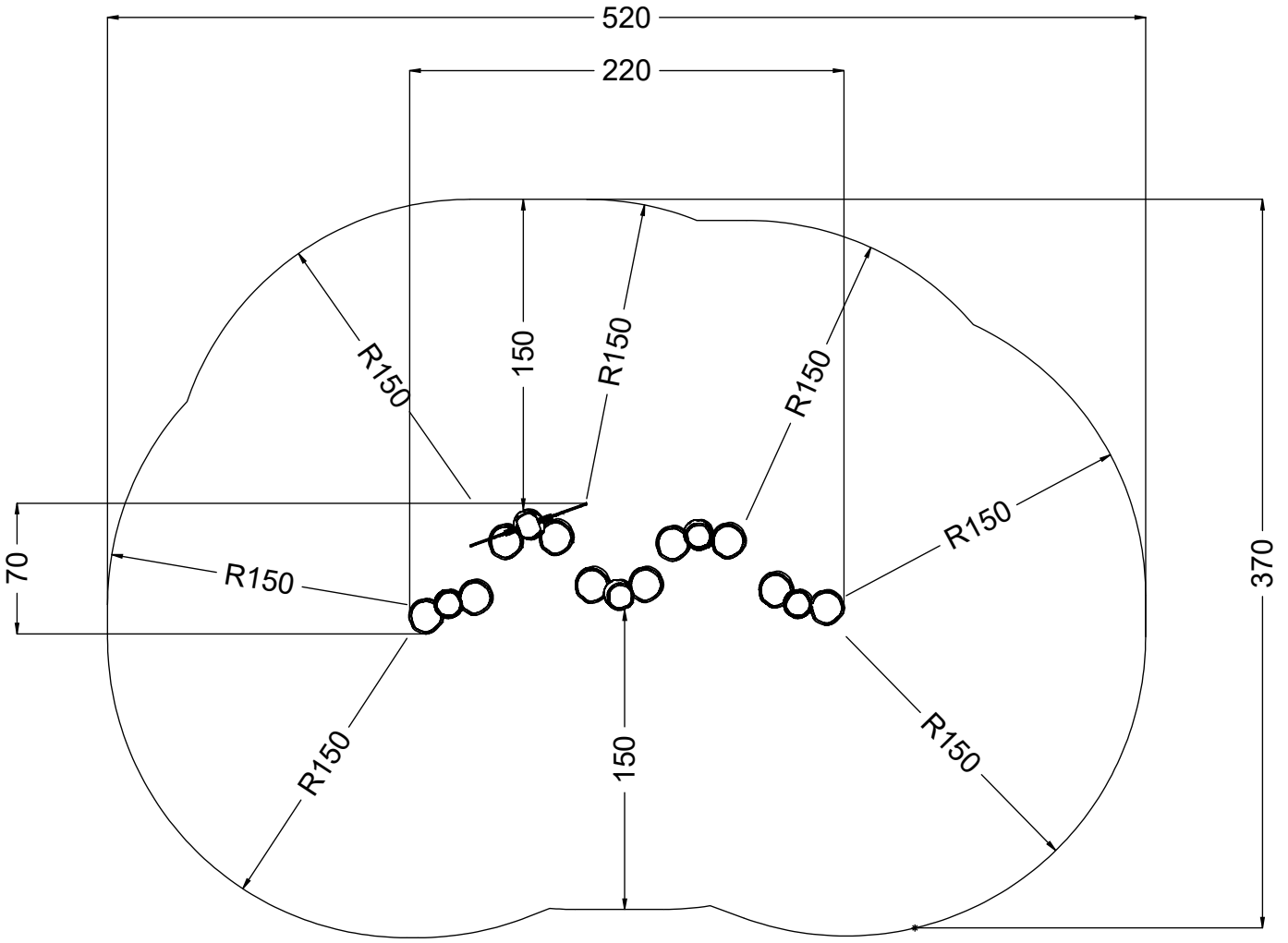
vinci
play



[cm]

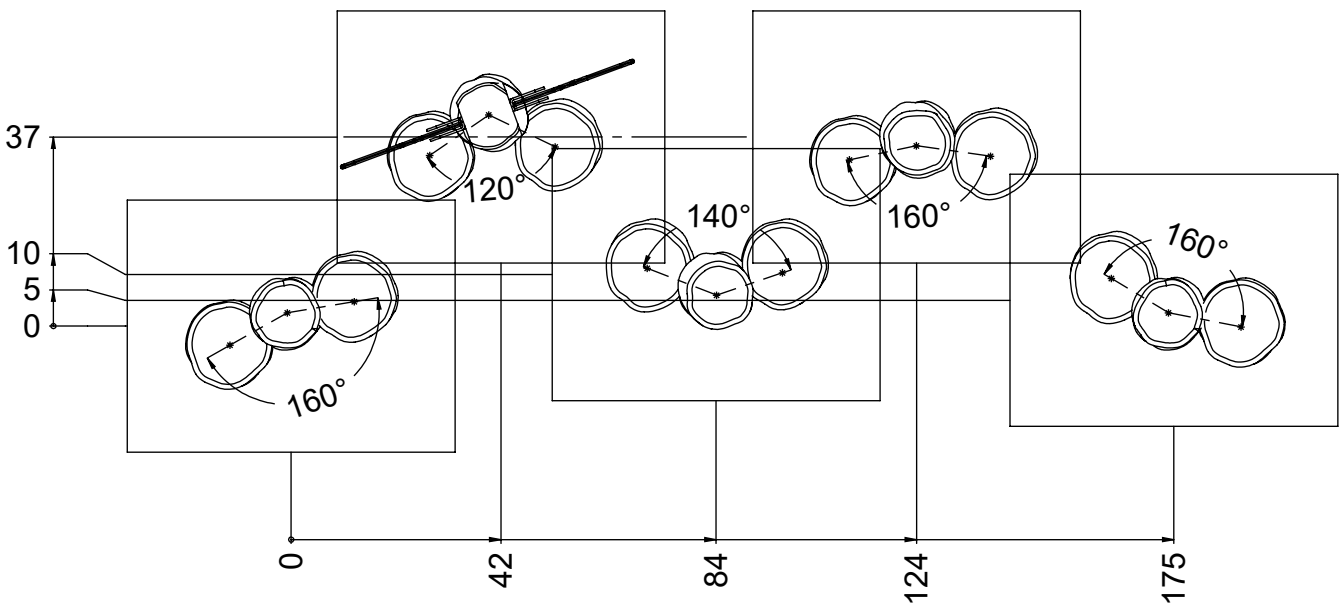
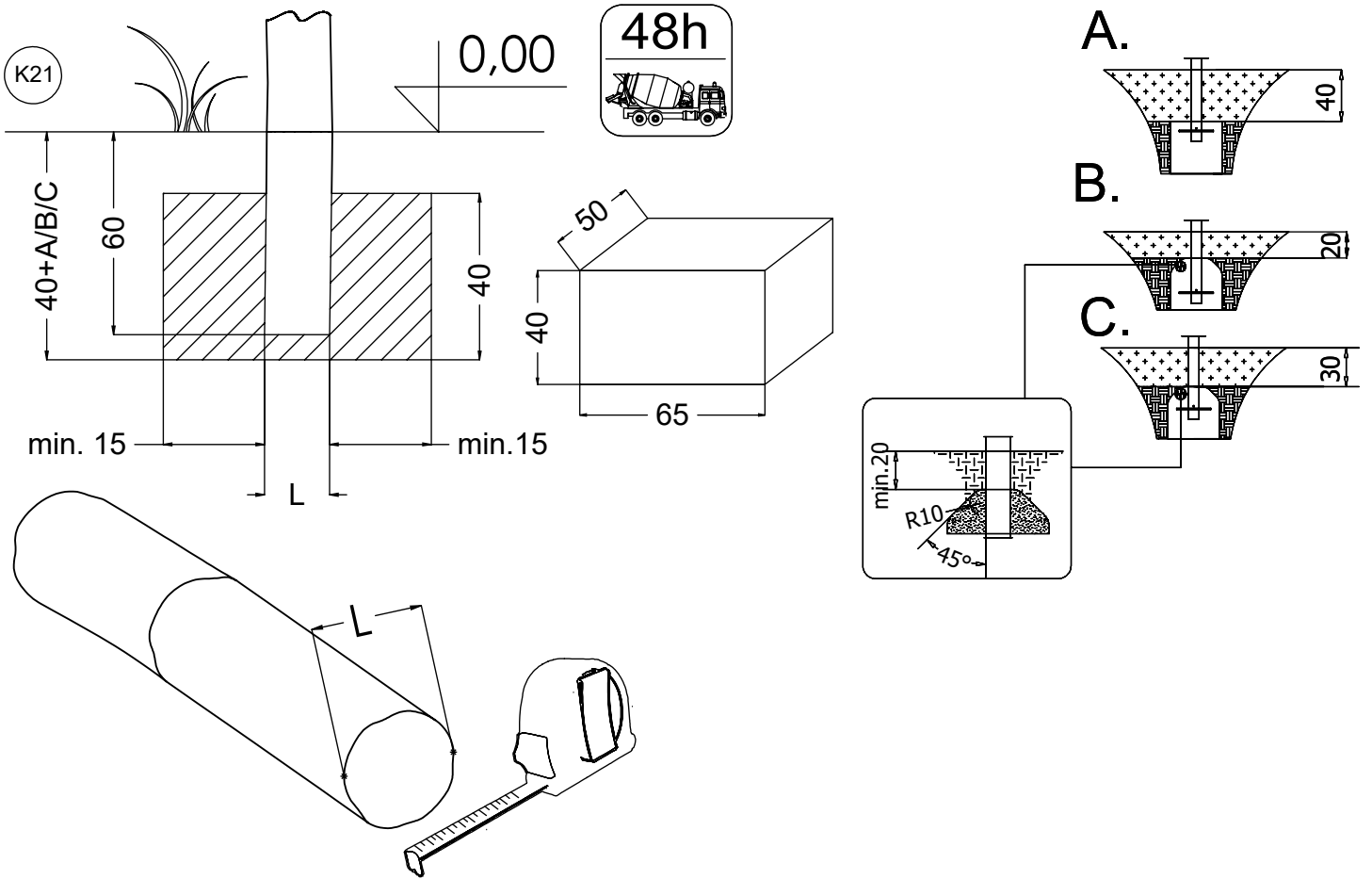
vinci
play





[cm]

vinci
play



[cm]



2h



48h

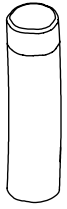


K21

x4

>0,13m³

vinci
play



127964
x2



127961
x2



127965
x2



127966
x2



127960
x1



127967
x2



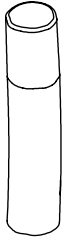
127968
x1



127962
x1



127963
x1

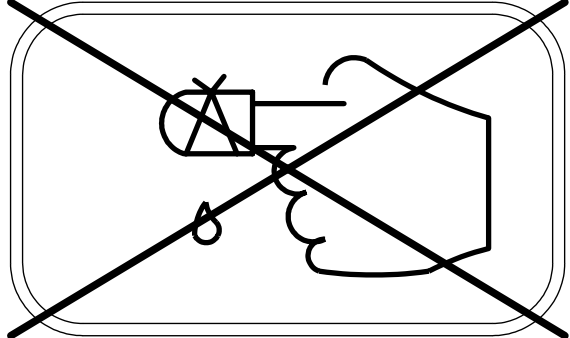
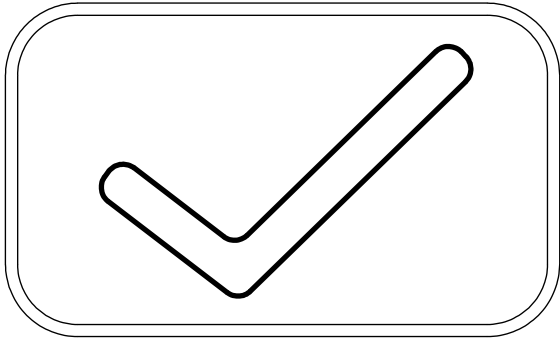
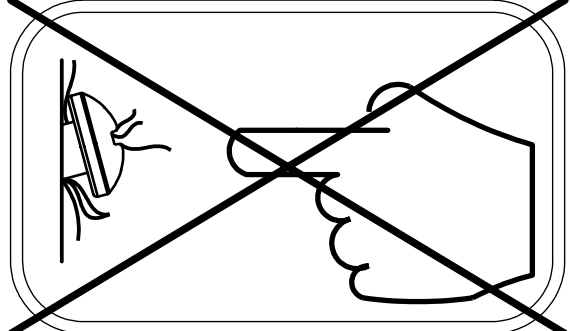
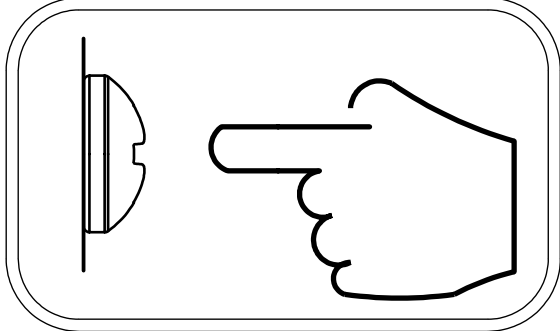
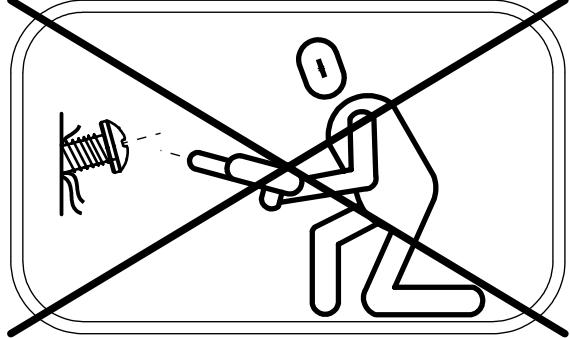
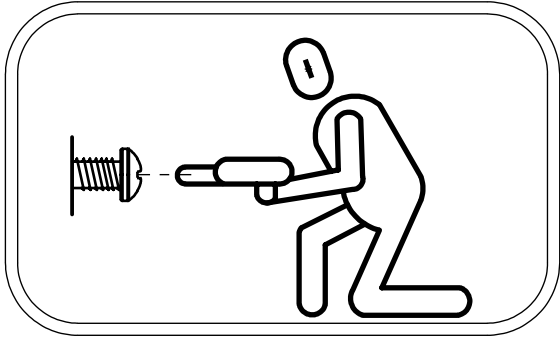


127969
x1

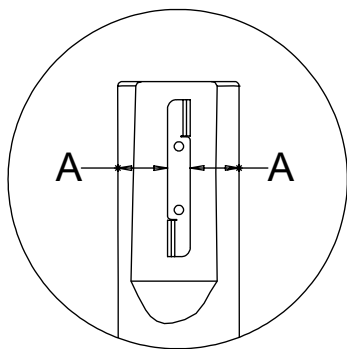
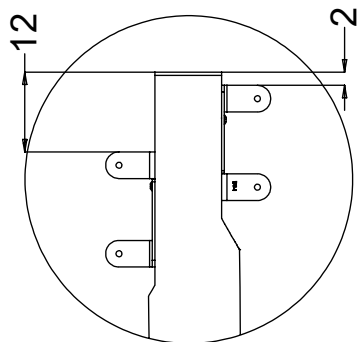


121199
x2

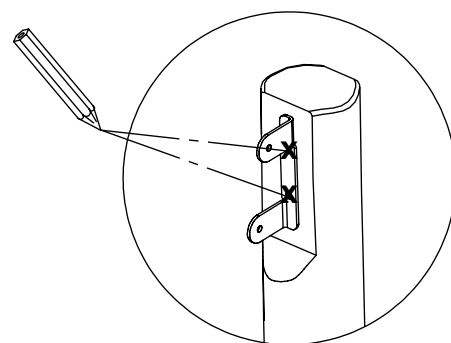
4x	8x50sxi
20x	8x180sxt
4x	WD213
2x	i030
1x	V001



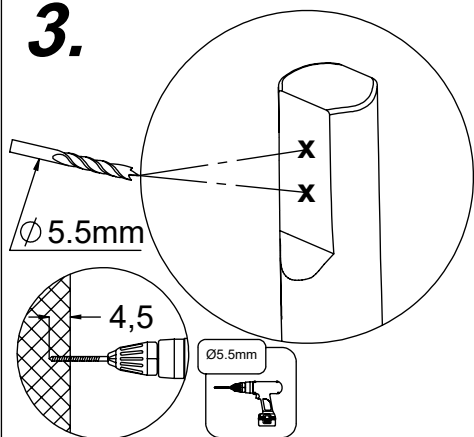
1.



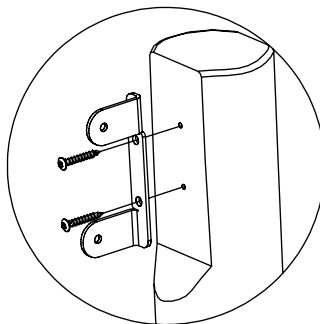
2.



3.

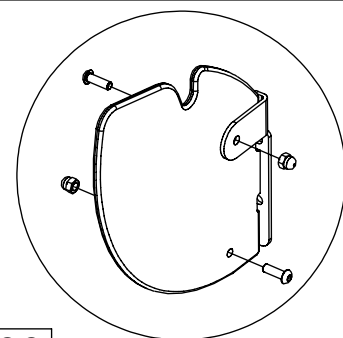


4.



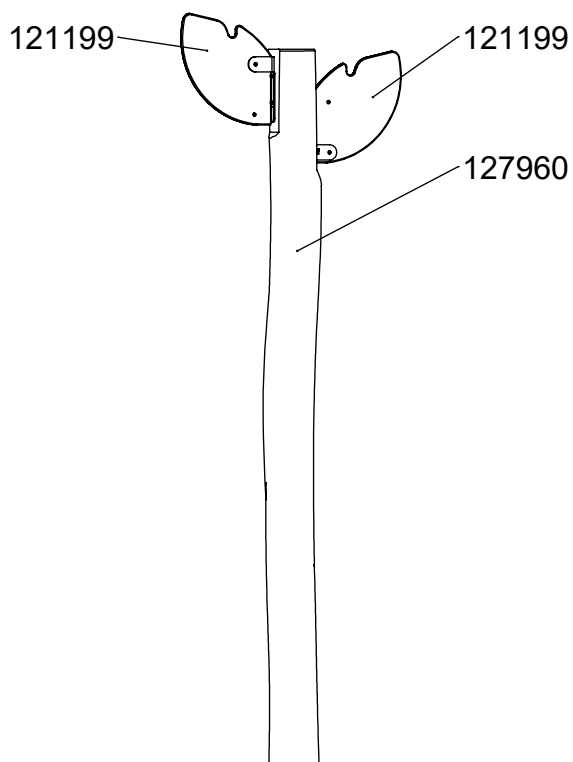
4x 8x50sxi

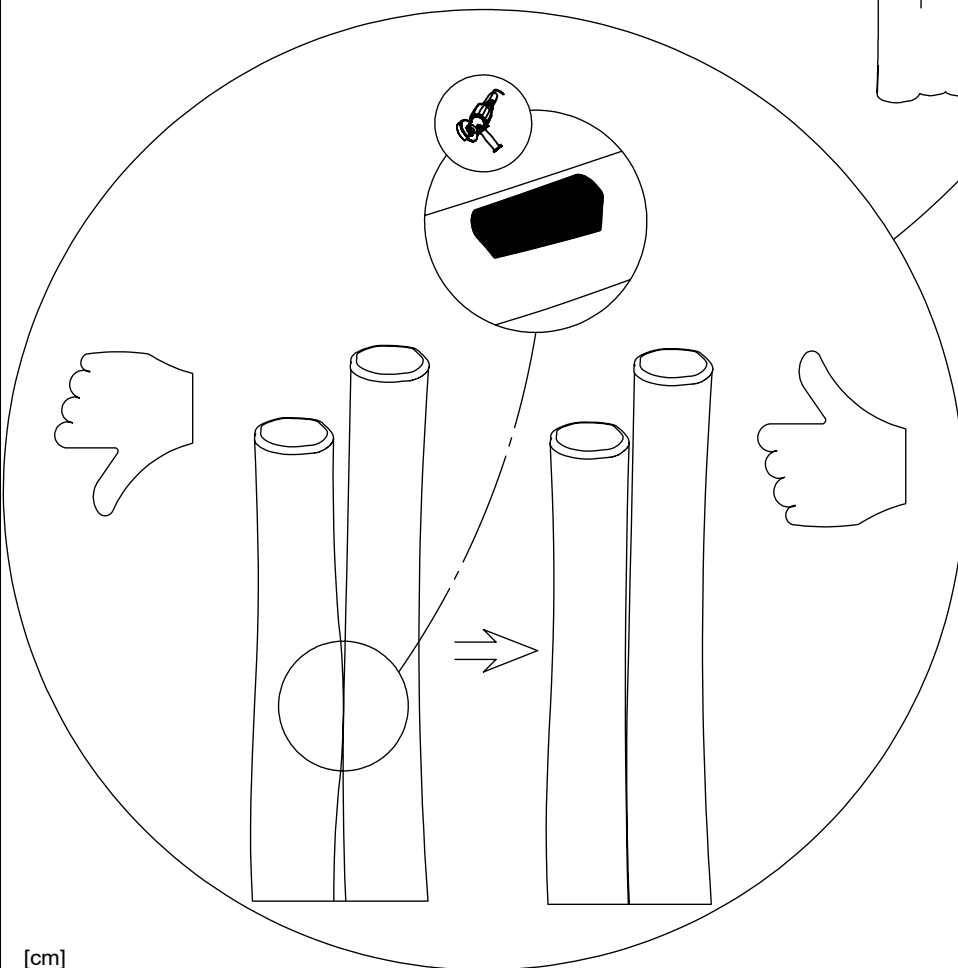
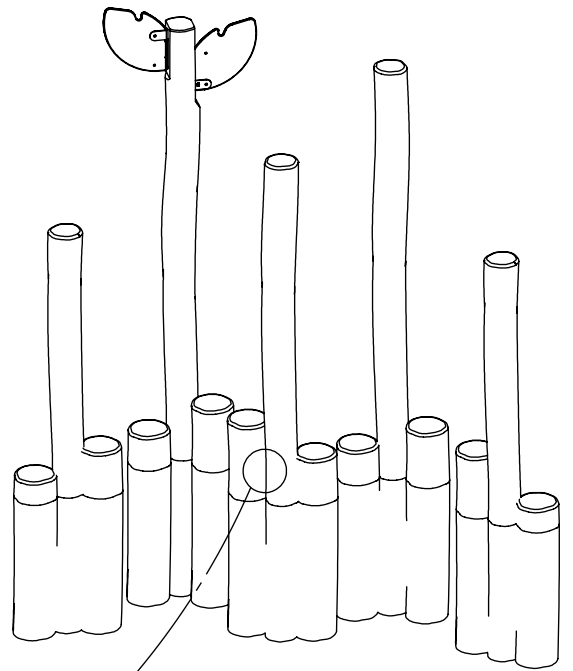
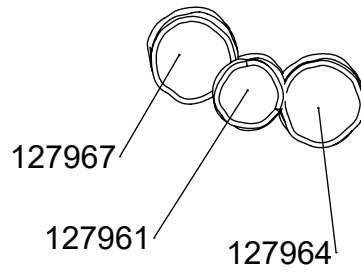
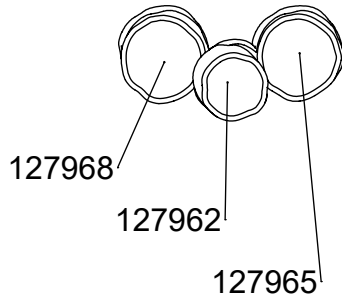
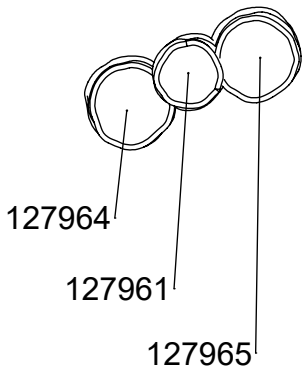
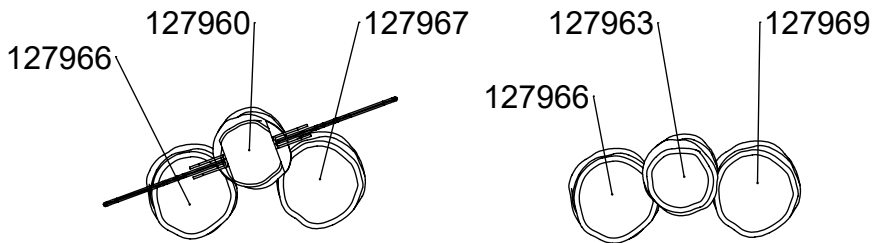
5.



2x i030

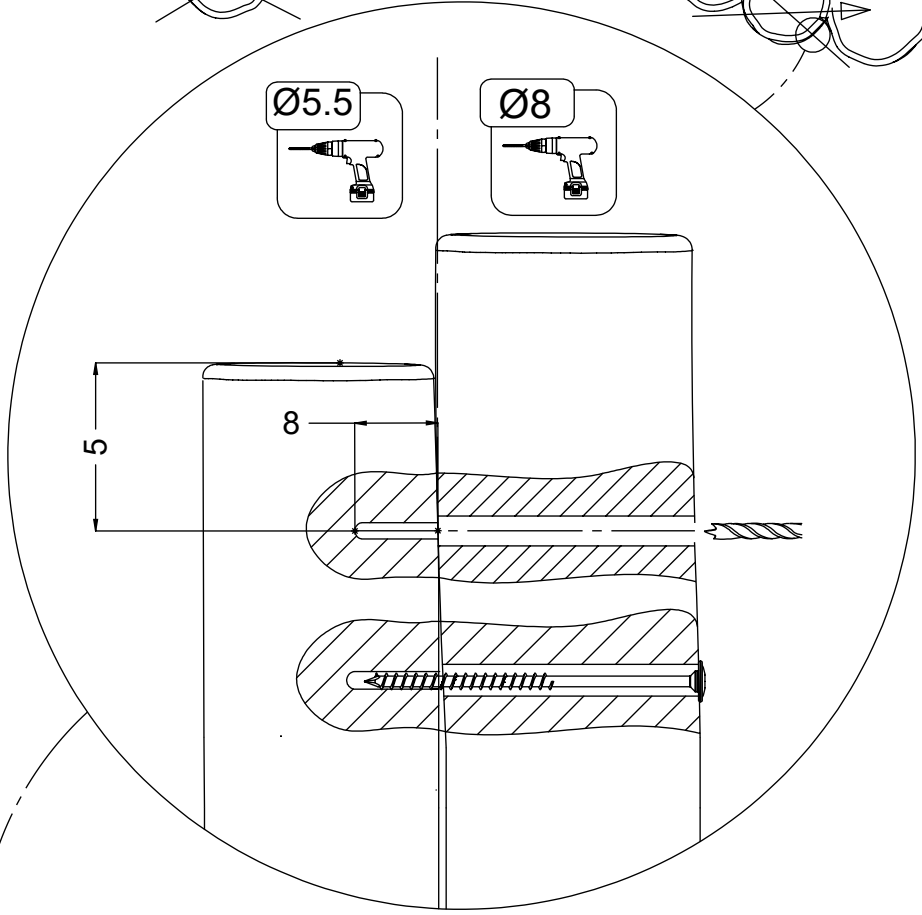
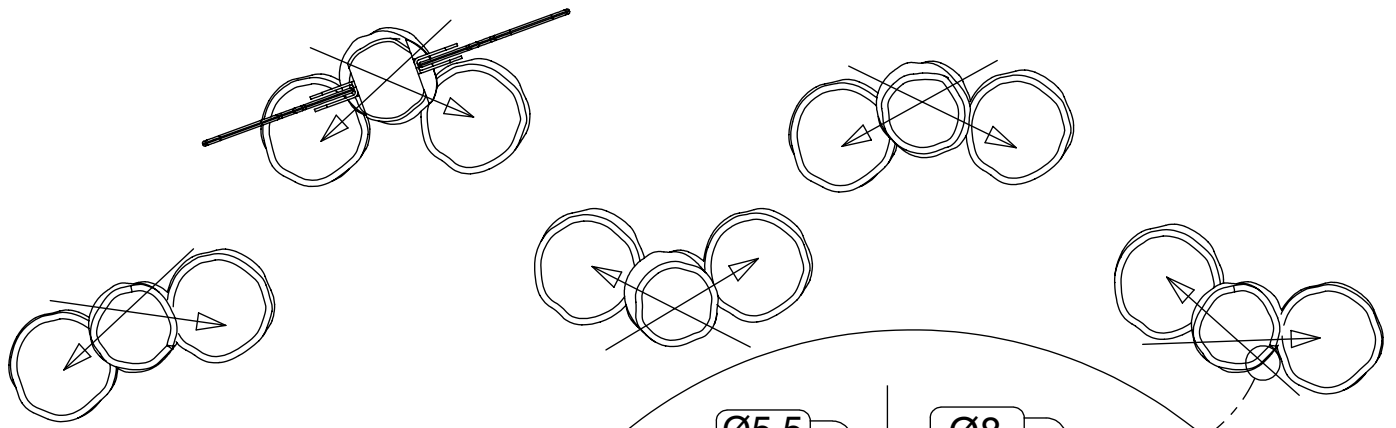
4x WD213



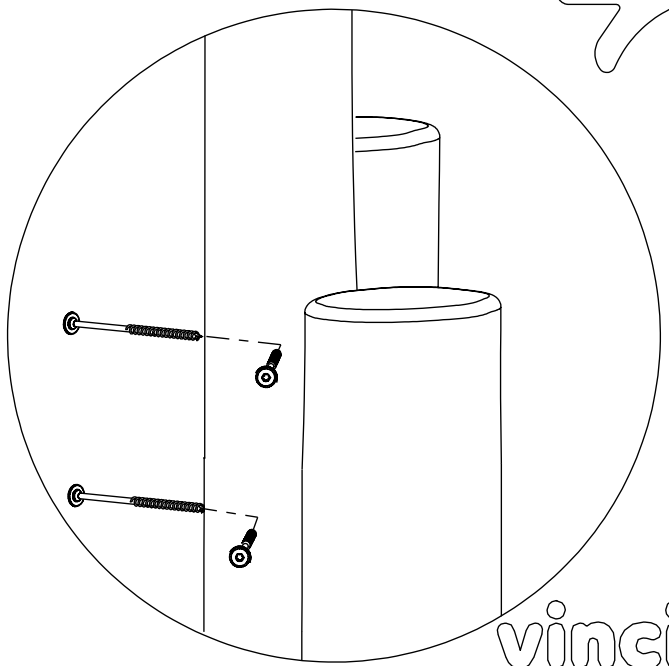
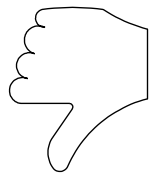
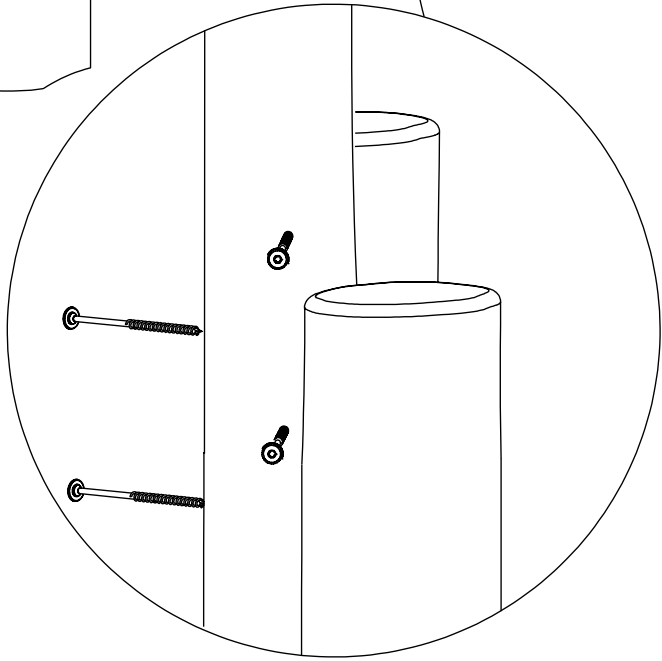
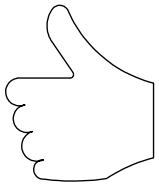


[cm]

vinci
play

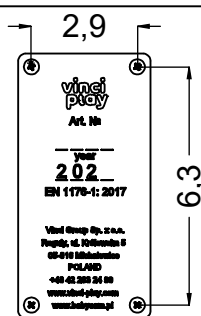
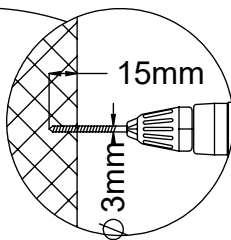
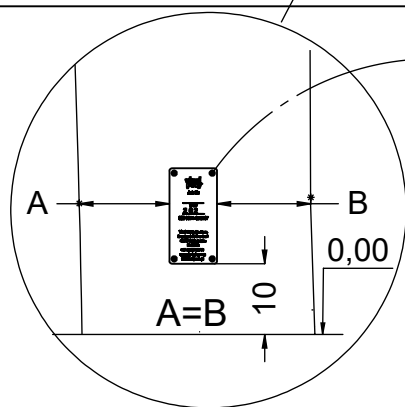
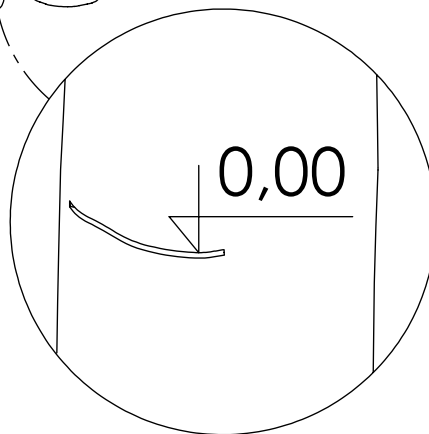
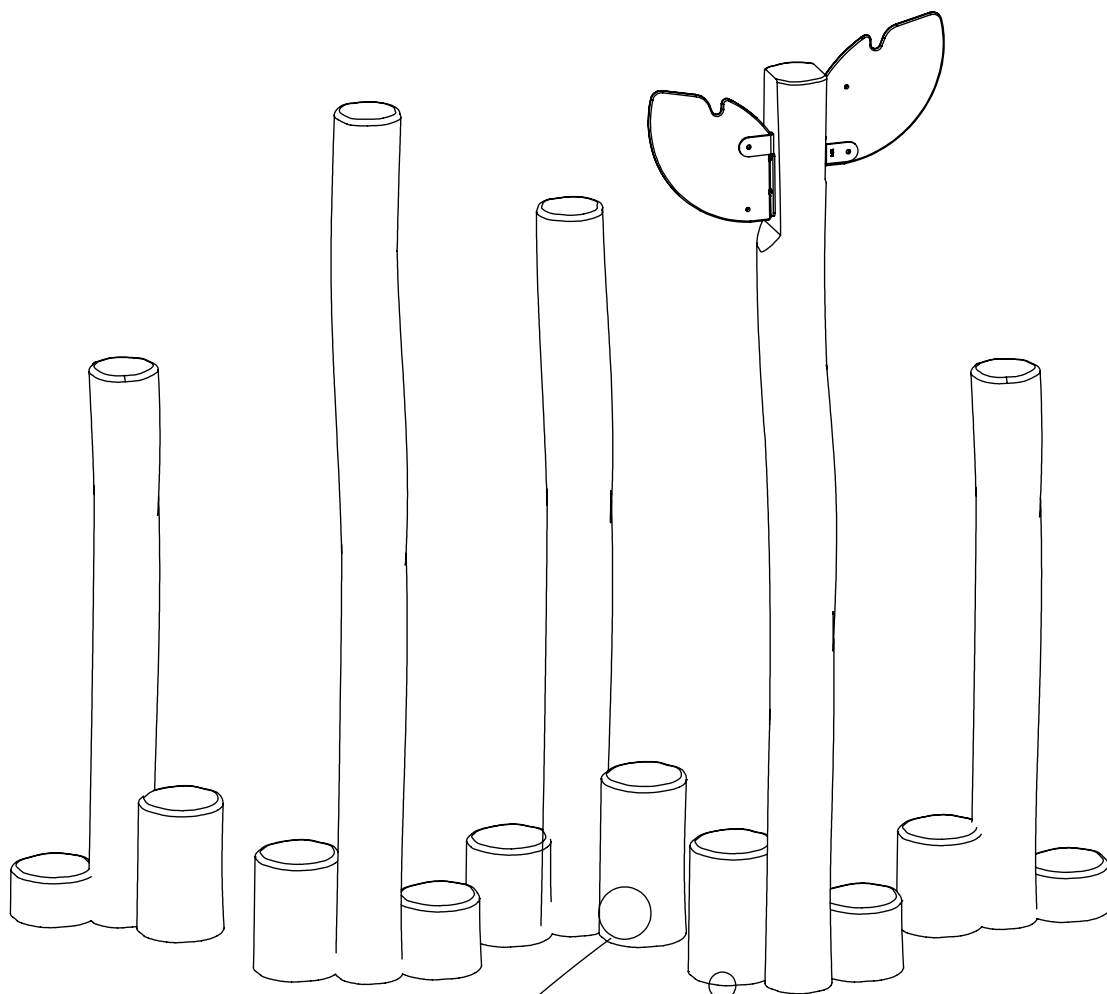


20x 8x180sxt

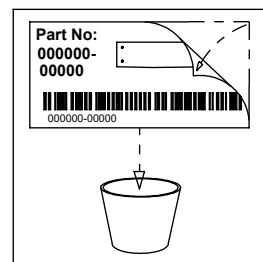


[cm]

vinci play



V001



[cm]

vinci
play