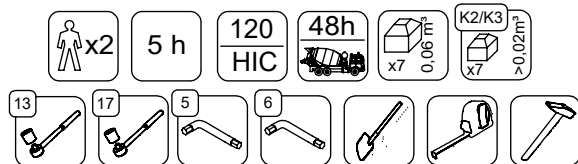
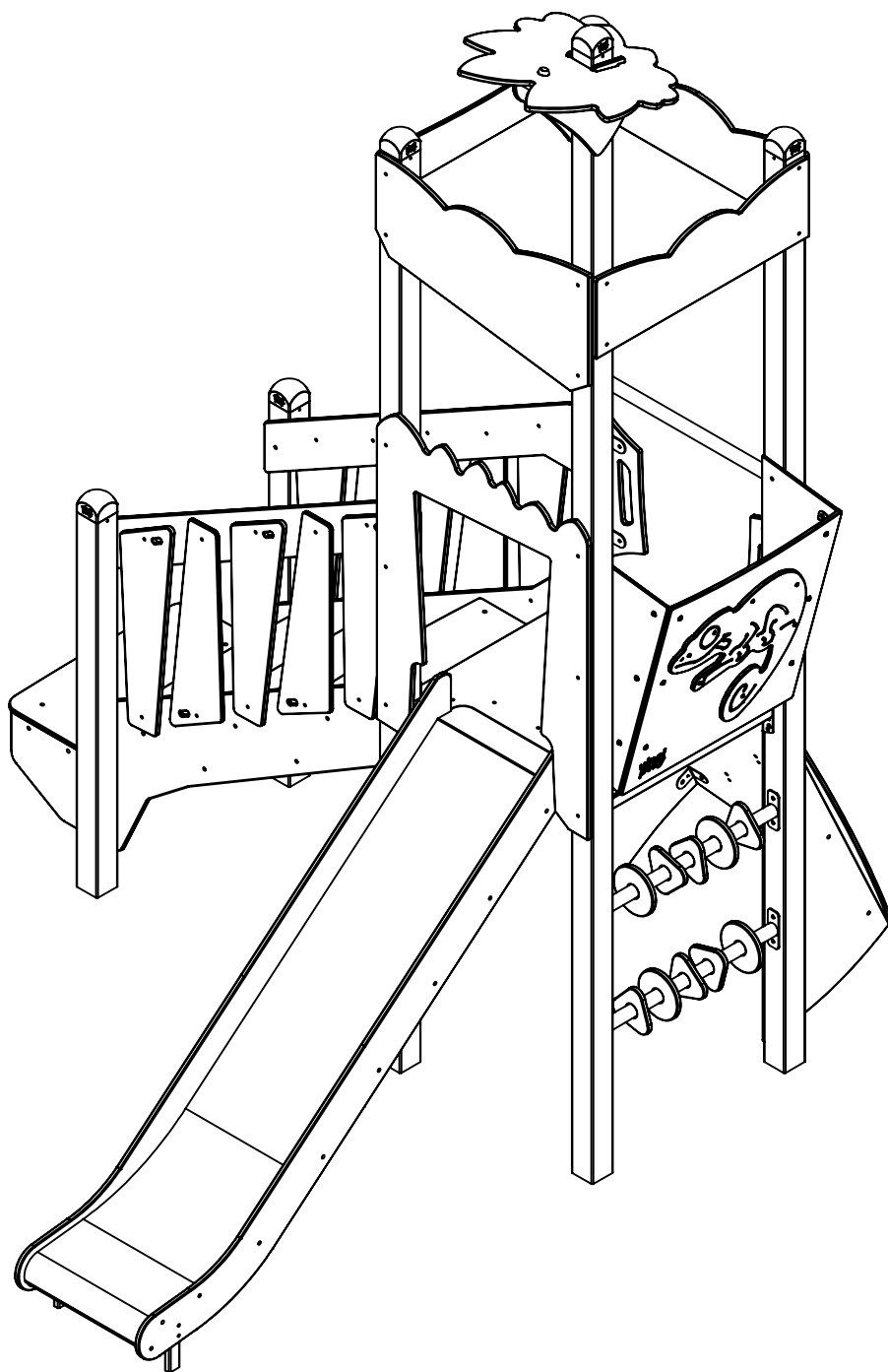


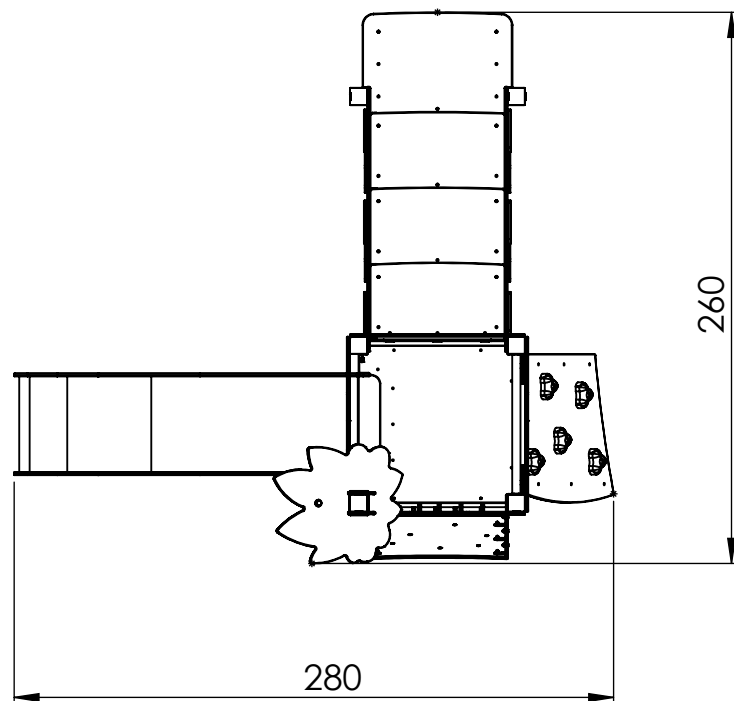
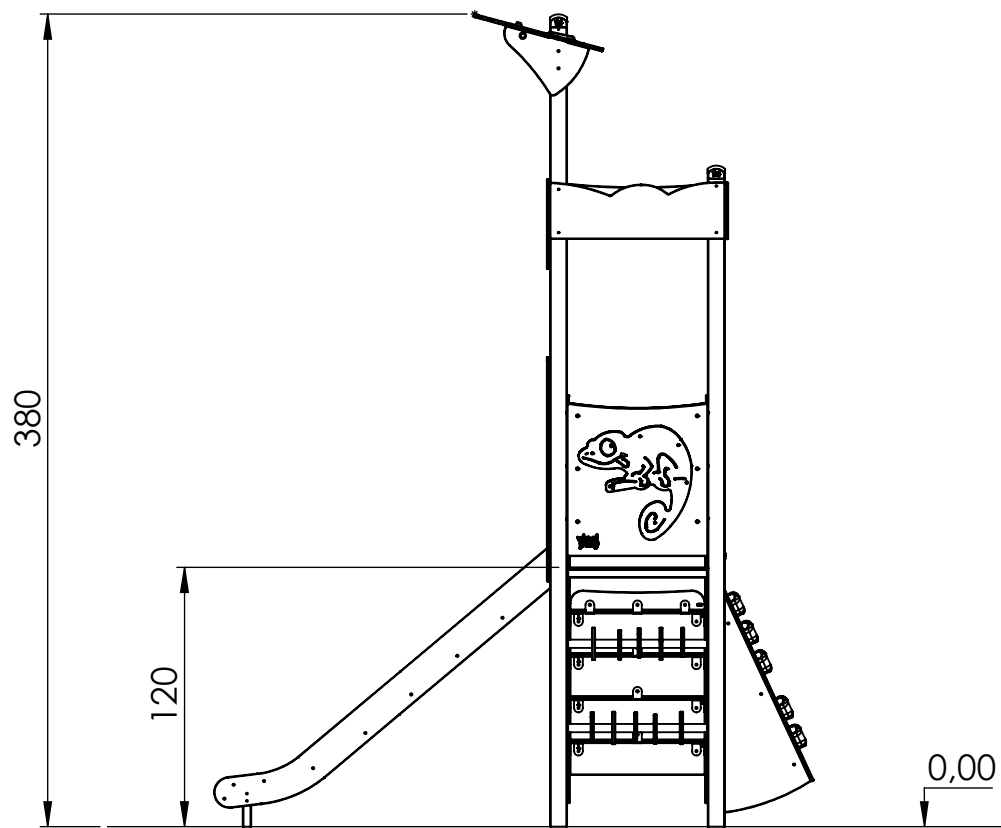
3202



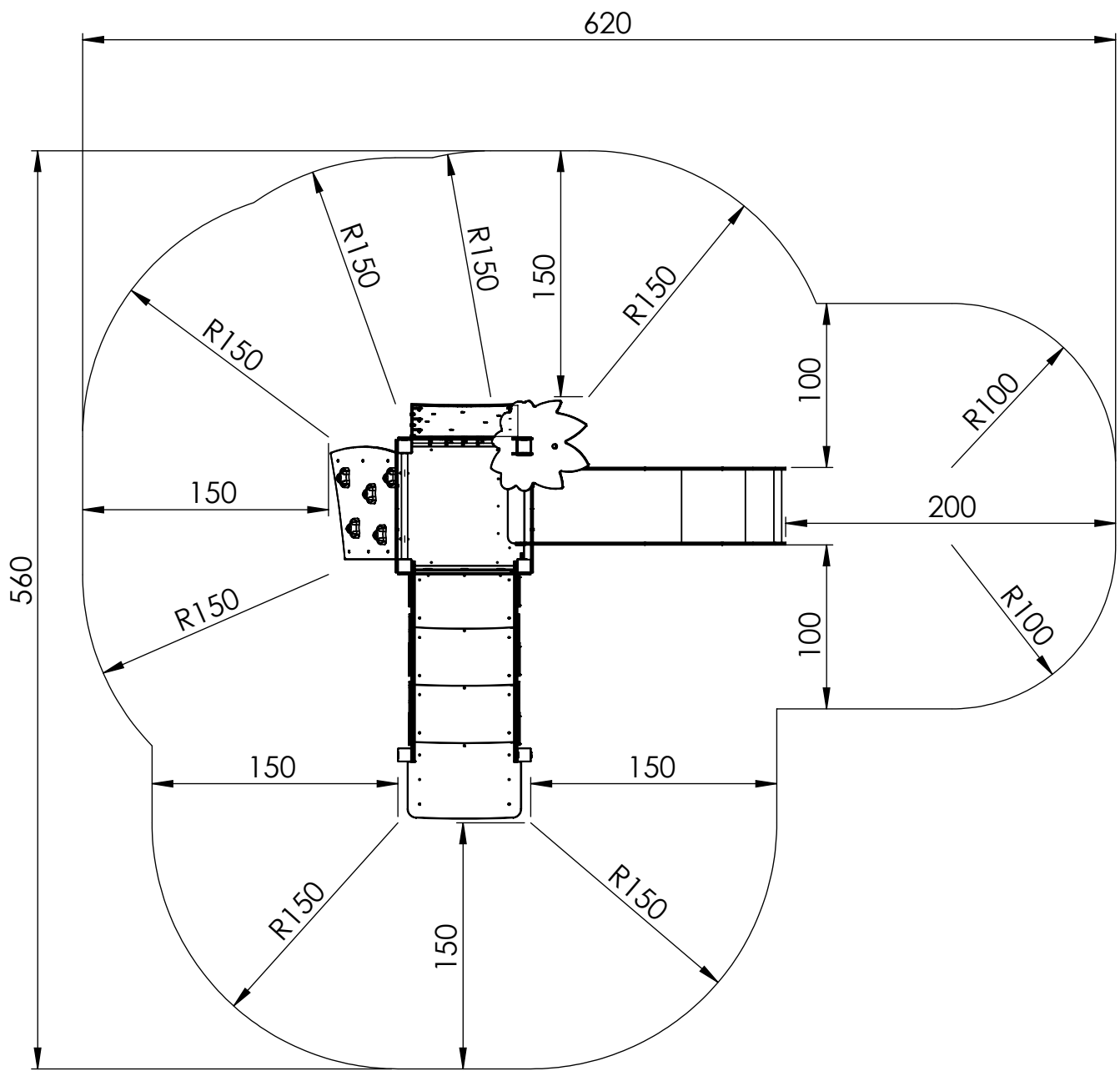
[cm]

v010 / 27.01.2023
D.P.

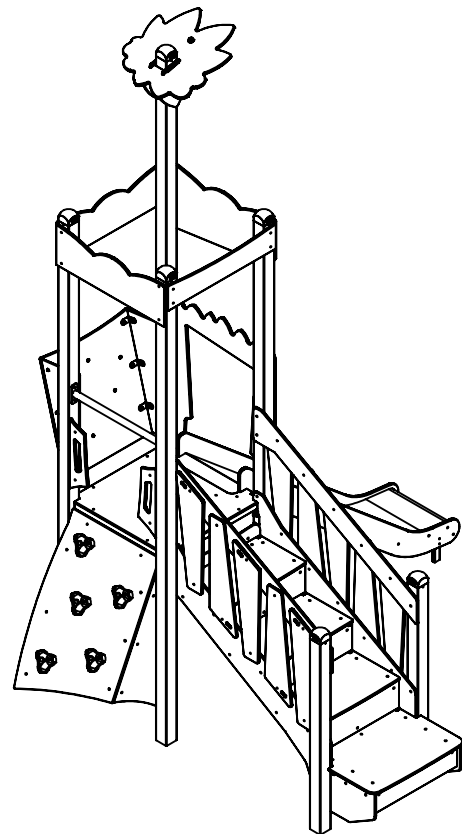
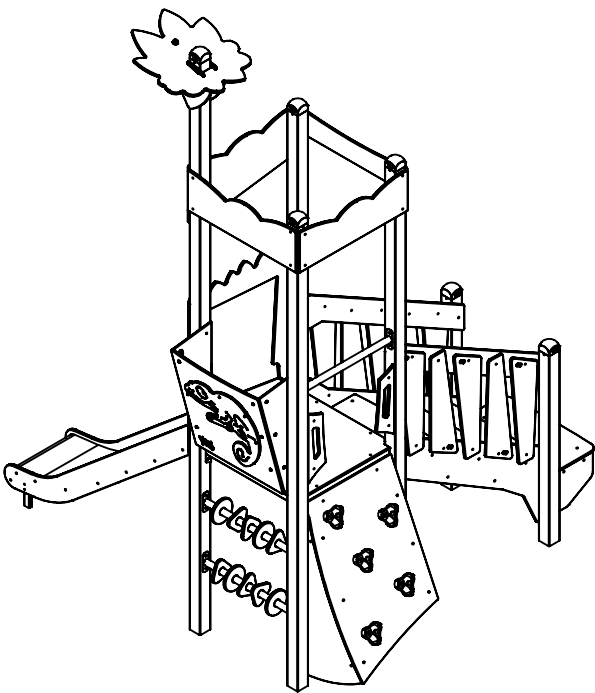
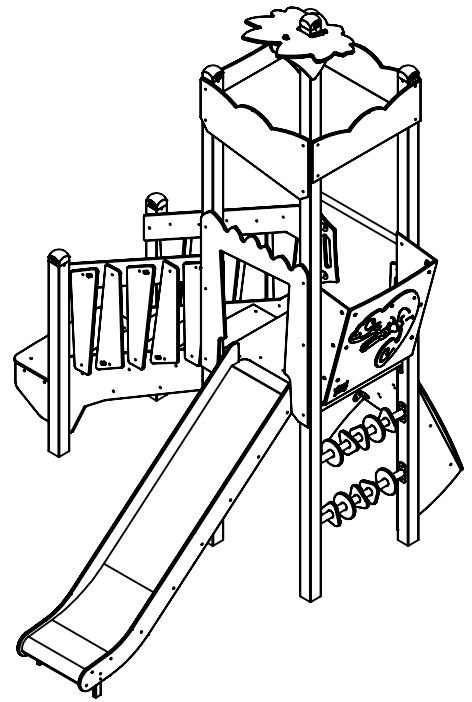
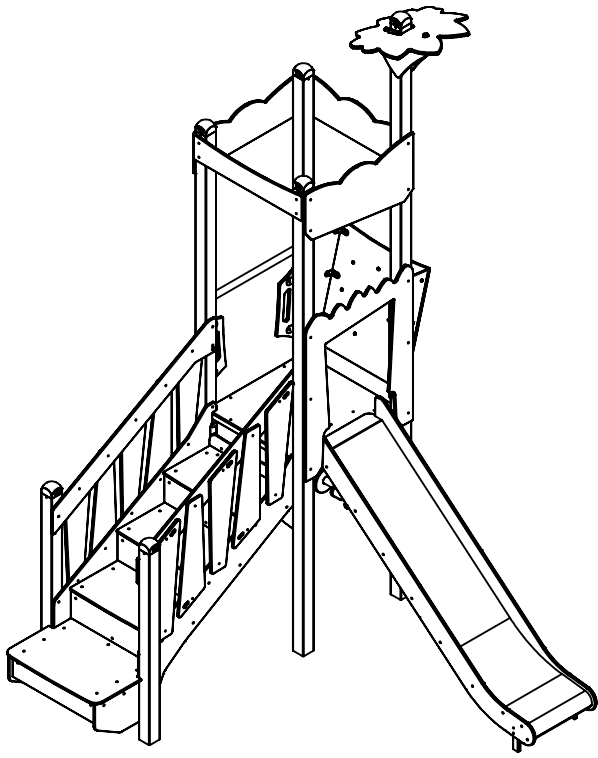
vinci
play

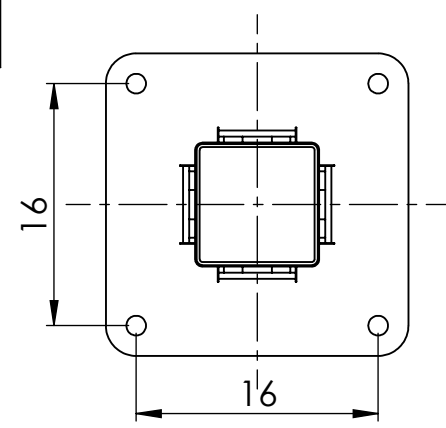
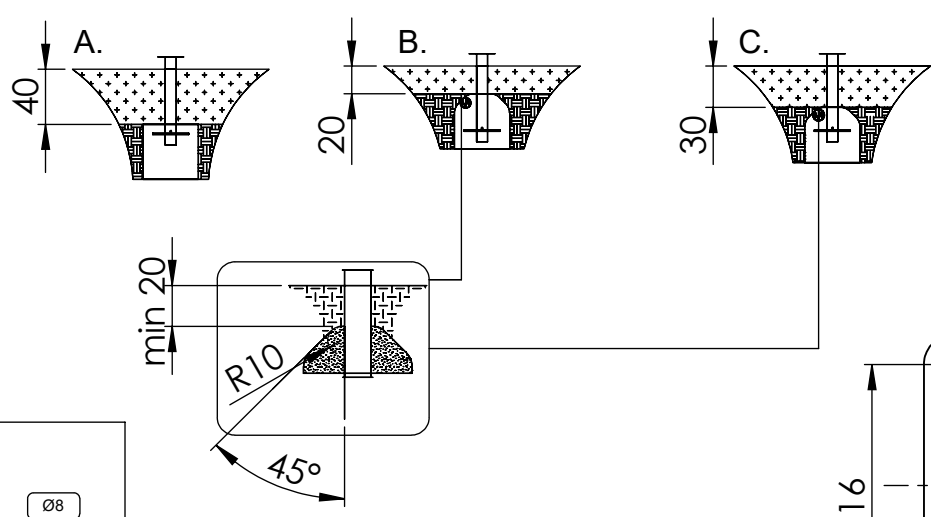
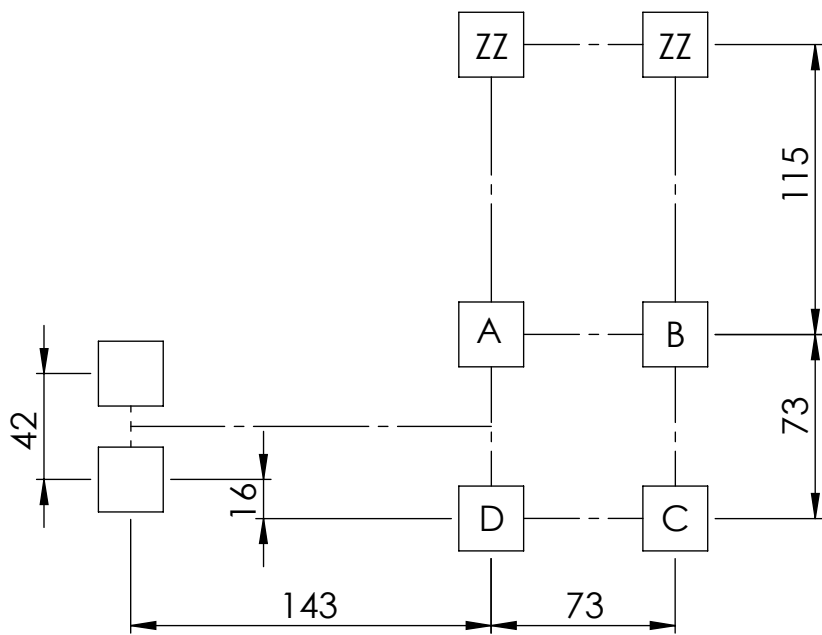


[cm]



[cm]





K2

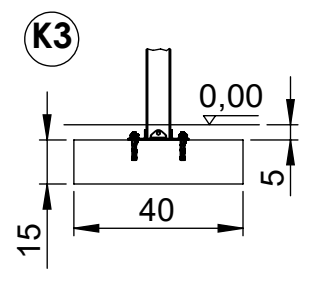
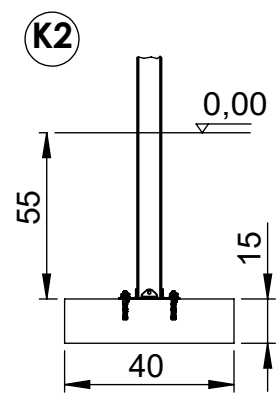
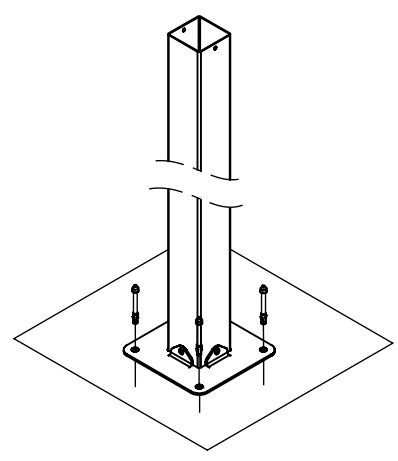
M10x120 x16
M8x120 x4

NOT INCLUDED

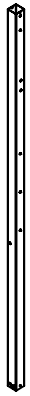
K3

M10x120 x20
M8x120 x2

NOT INCLUDED



[cm]



GS02A
x1



GS02B
x1



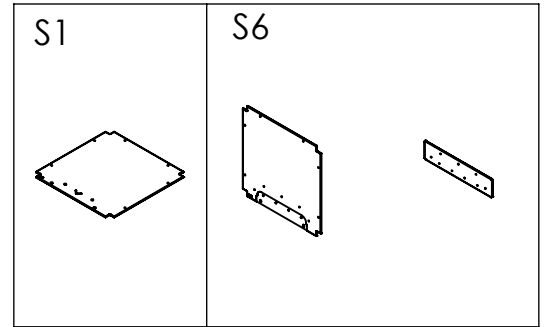
GS02C
x1



GS02D
x1



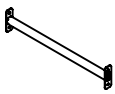
04ZZ
x2



171122
x1

171234
x1

171233
x1



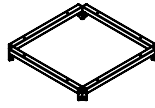
142117
x1



304104
x2



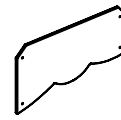
i93
x1



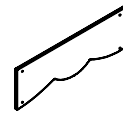
172100
x1



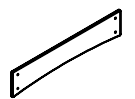
321180
x1



301121
x1



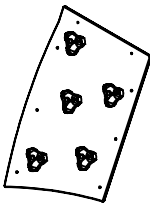
321122
x2



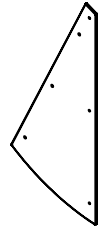
301104
x1



171137
x2



171111
x1



171109
x1



171110
x1



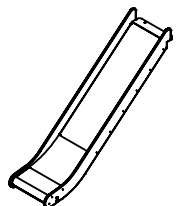
321106
x1



141137
x2



321105
x1



994163
x1



321126
x1



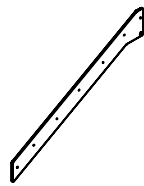
171115
x2



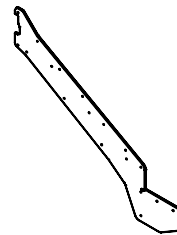
021149
x1



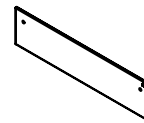
021146
x2



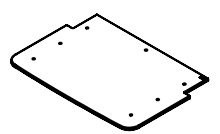
991269
x2



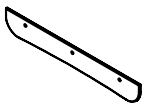
991268
x2



991270
x1



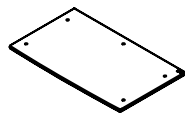
991266
x1



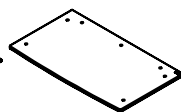
991273
x1



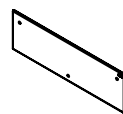
991256
x10



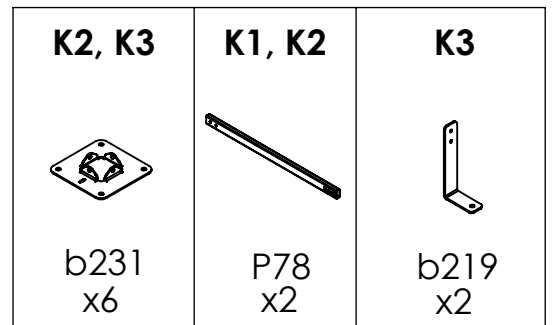
991271
x2



991272
x1



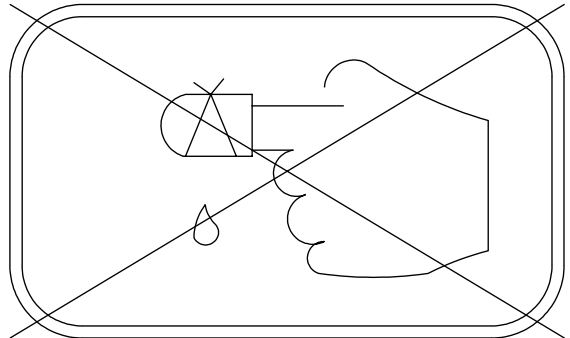
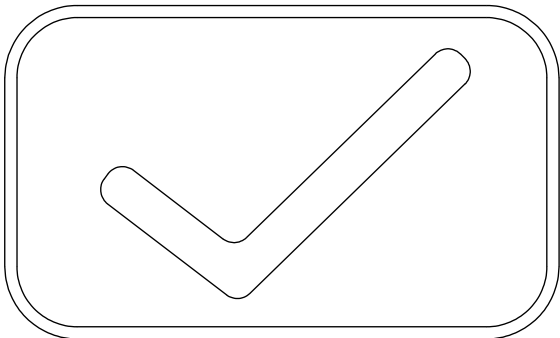
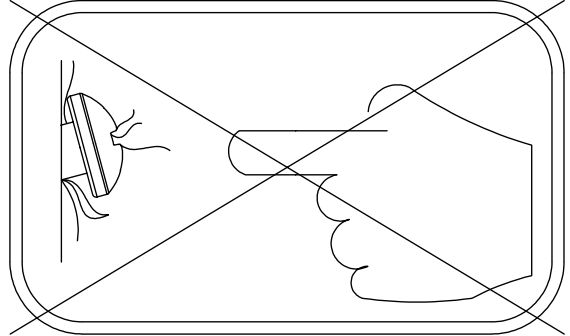
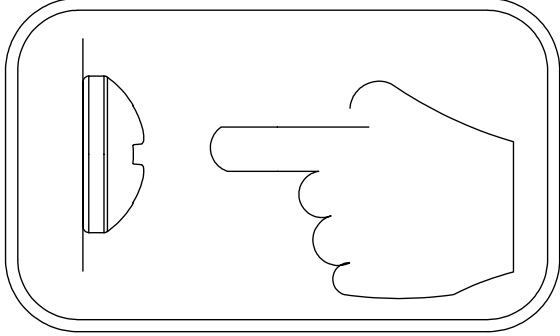
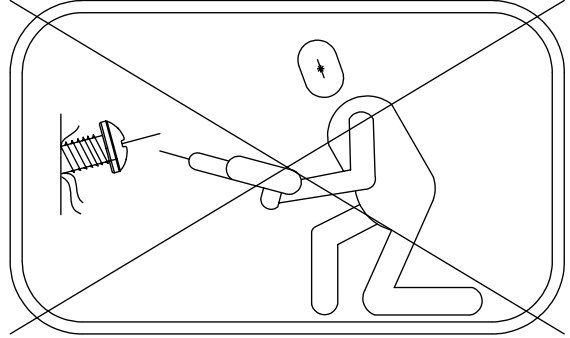
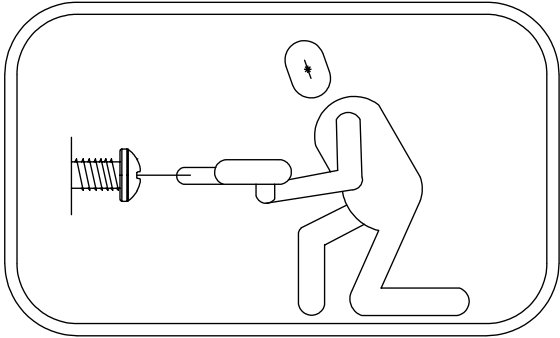
991264
x3

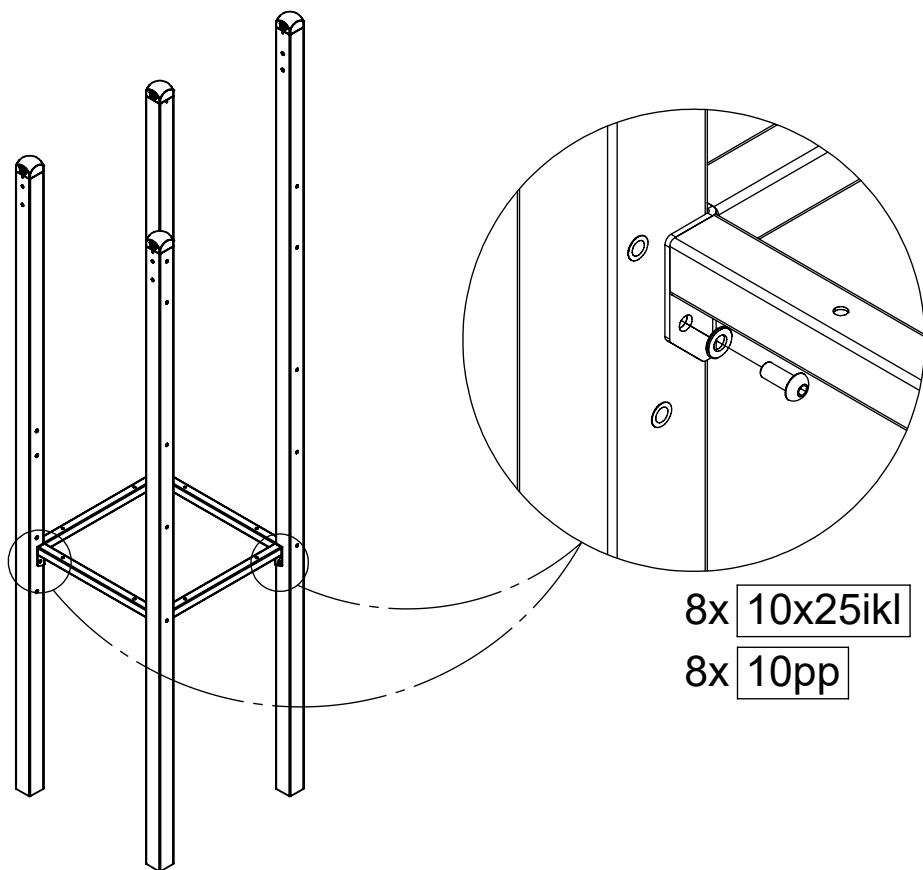


Qty.	ST/INOX
24	10 pp _{K2,K3}
24	10 nh _{K2,K3}
24	10x20 m _{K2,K3}
38	10x25 ikl
8	10 pp
10	8x25 ikl
22	8x30 ikl
1	E34 _{K1,K3}
1	E35 _{K2}
1	V001

Qty.	HDPE
1	17c004
1	30c012
1	17c032
1	30c114
5	17c098

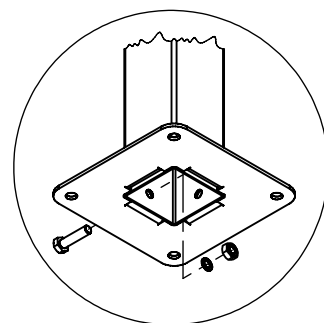
Qty.	HPL
1	17p003
1	17p013
1	17p015
1	17p017 _{S1}
1	17p019 _{S6}
1	17p021
1	17p061 _{S6}
4	17p053
1	17p063
9	17p059
3	17p055
1	17p027
4	12e030





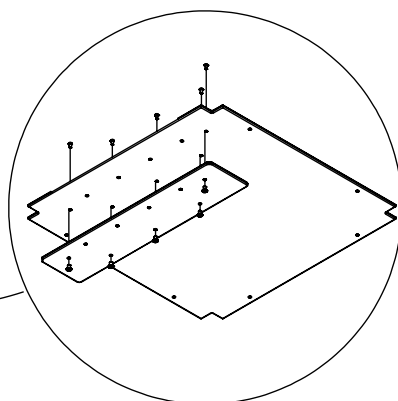
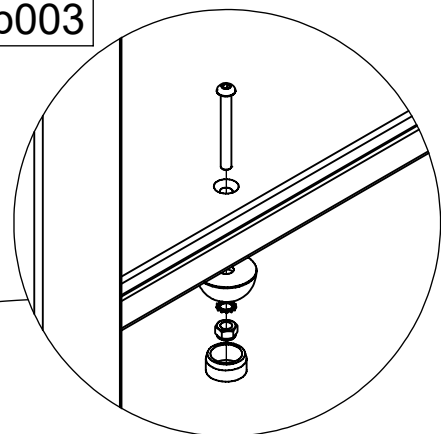
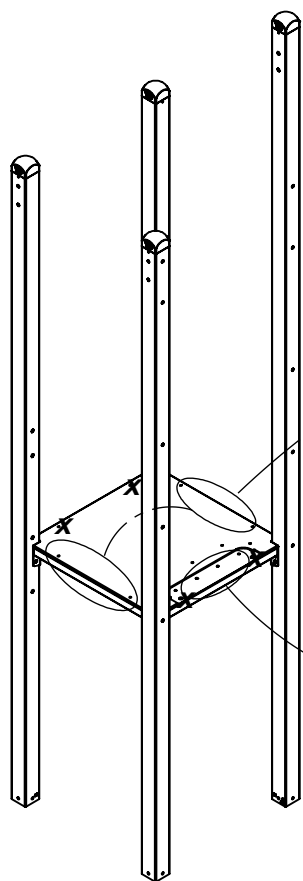
8x 10x25ikl
8x 10pp

K2, K3



24x 10x20m
24x 10pp
24x 10nh

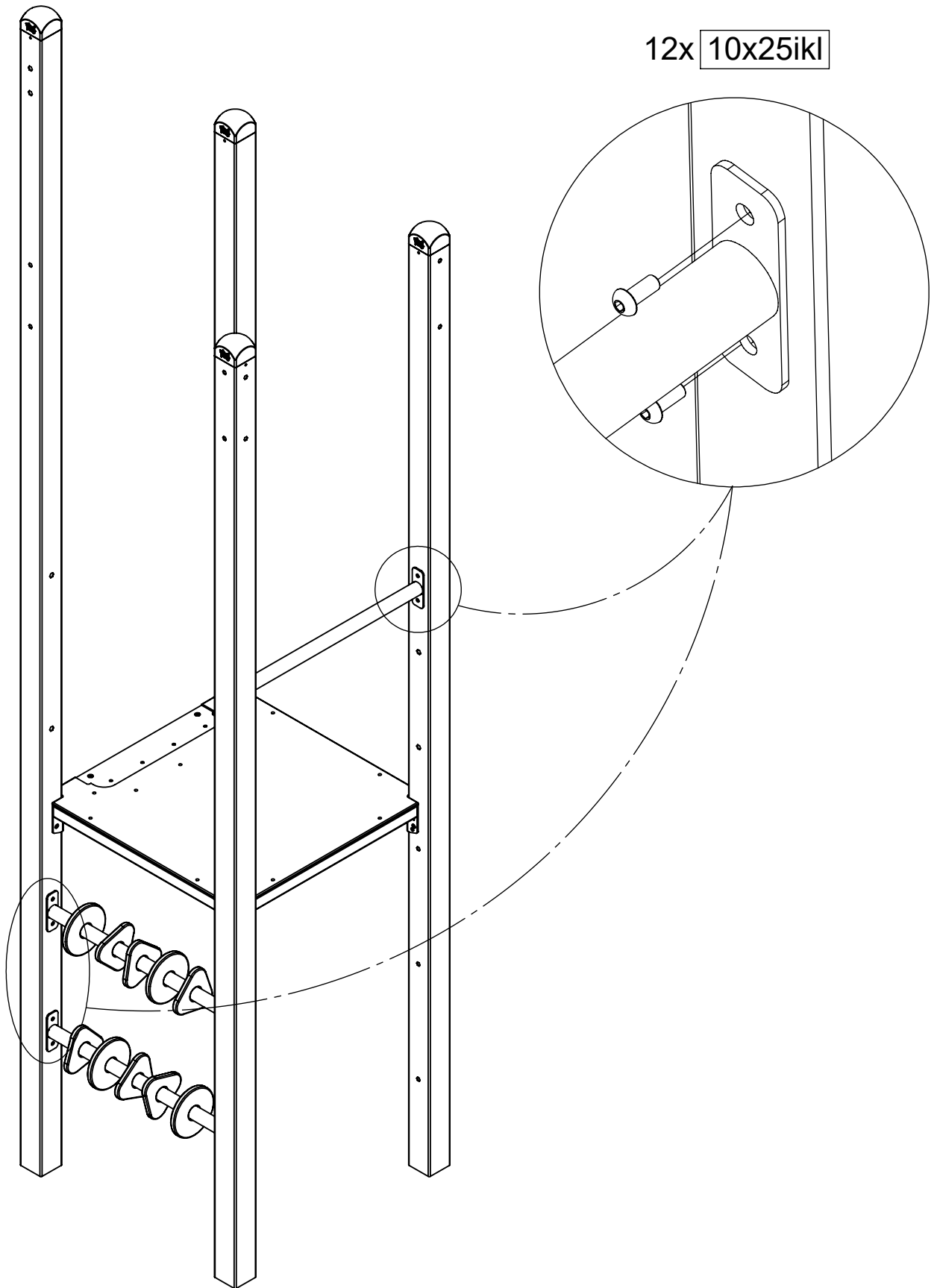
1x 17p003



1x 17p061 s6

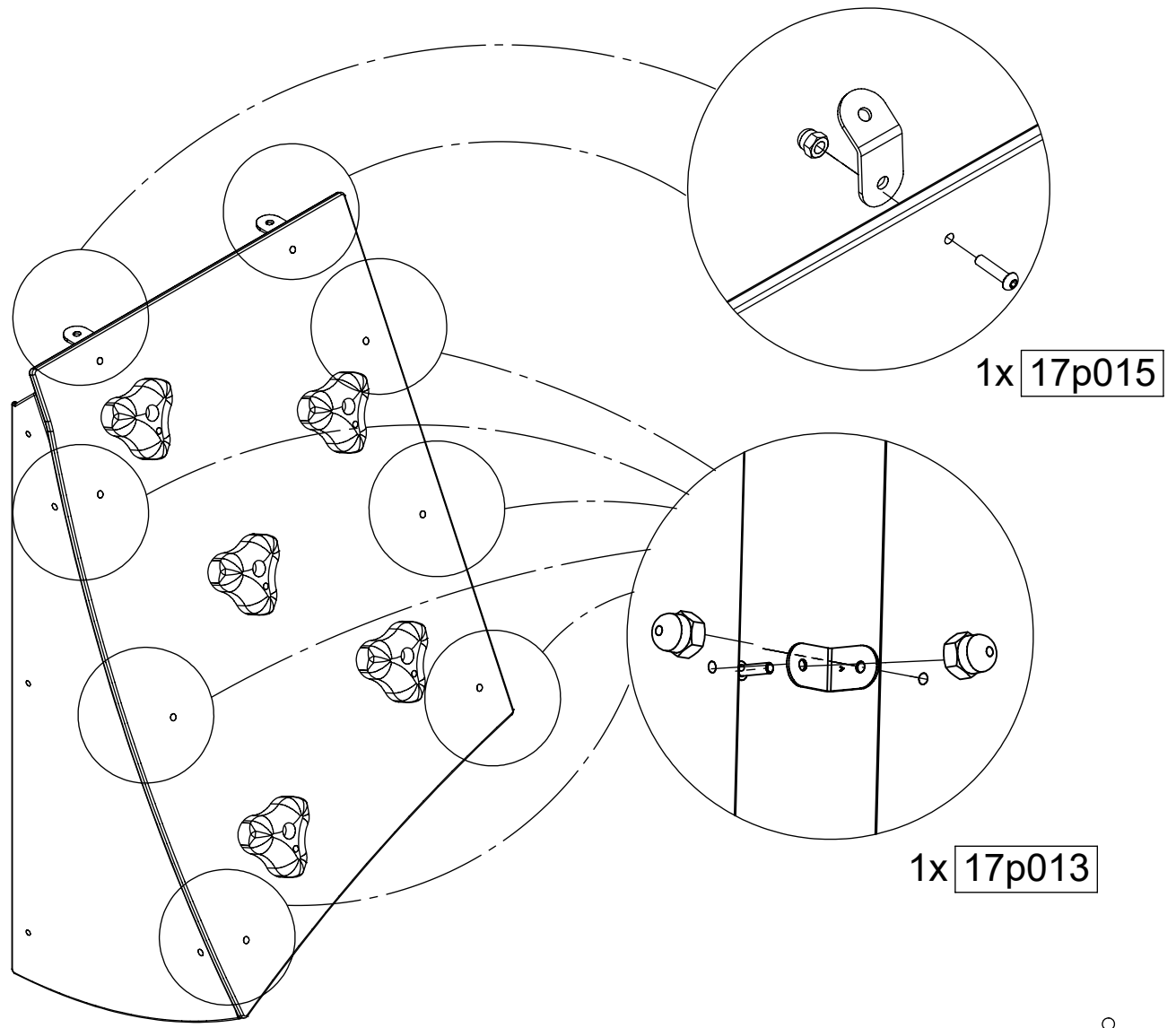
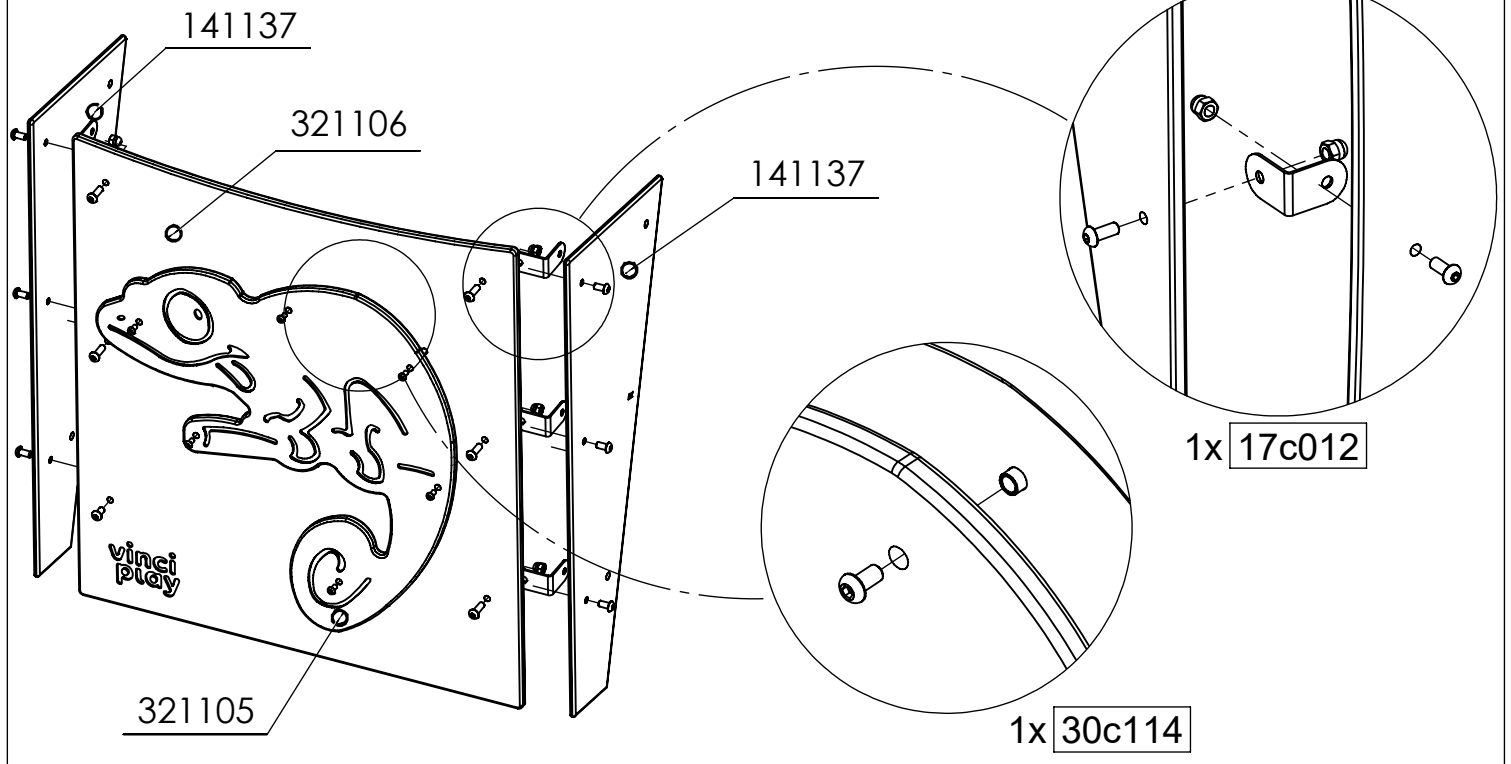
[cm]

12x 10x25ikl

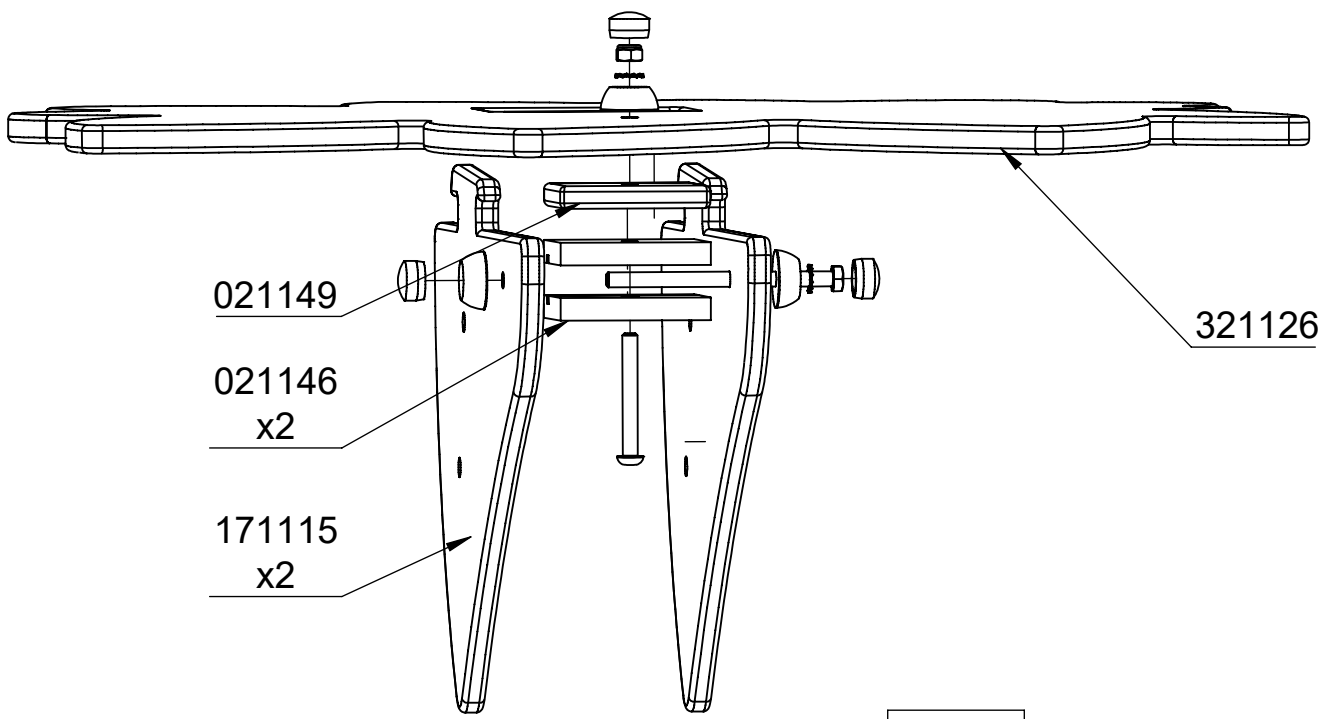


[cm]

vinci
play



[cm]



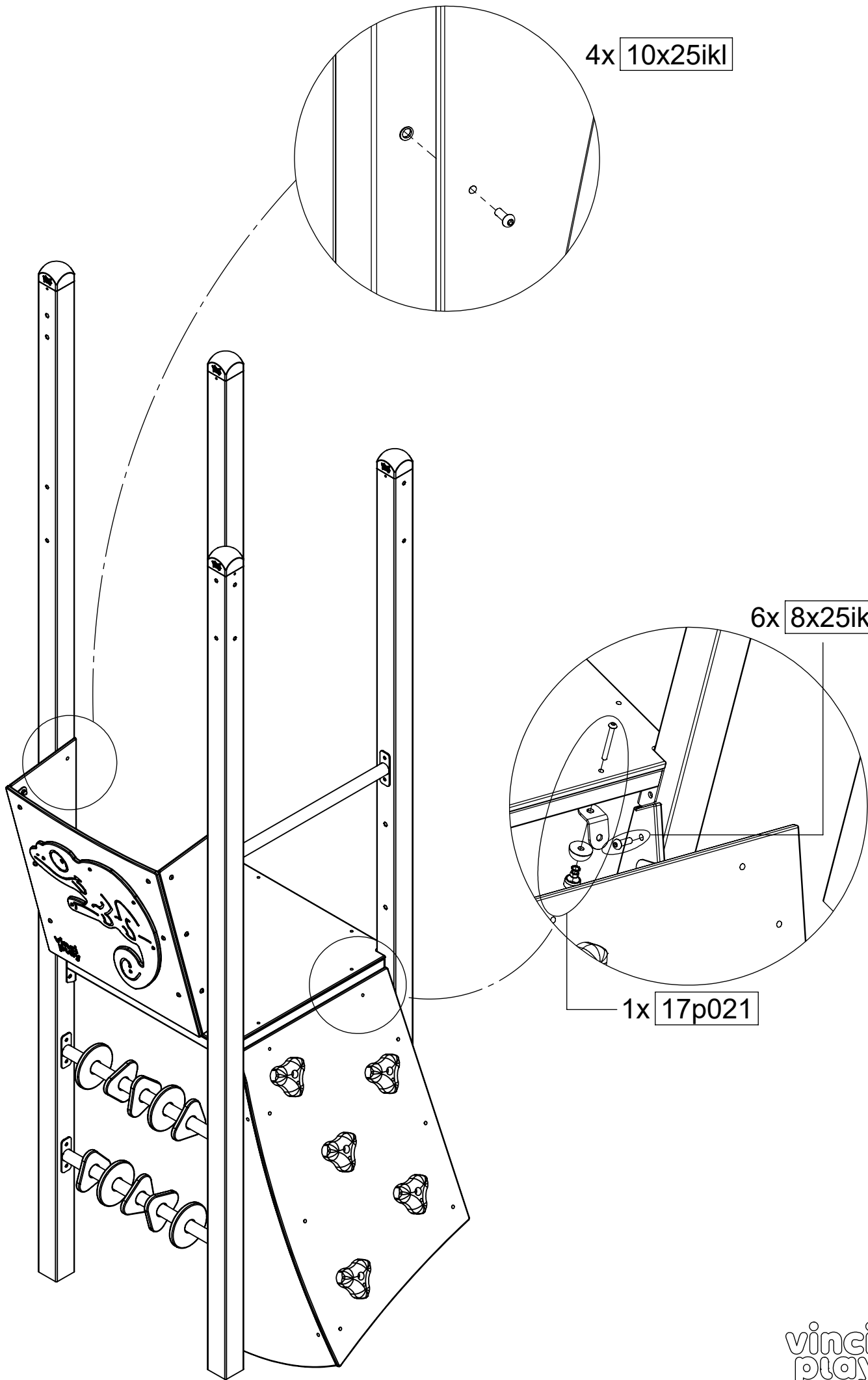
021149

021146
x2

171115
x2

321126

1x 17c032



4x 10x25ikl

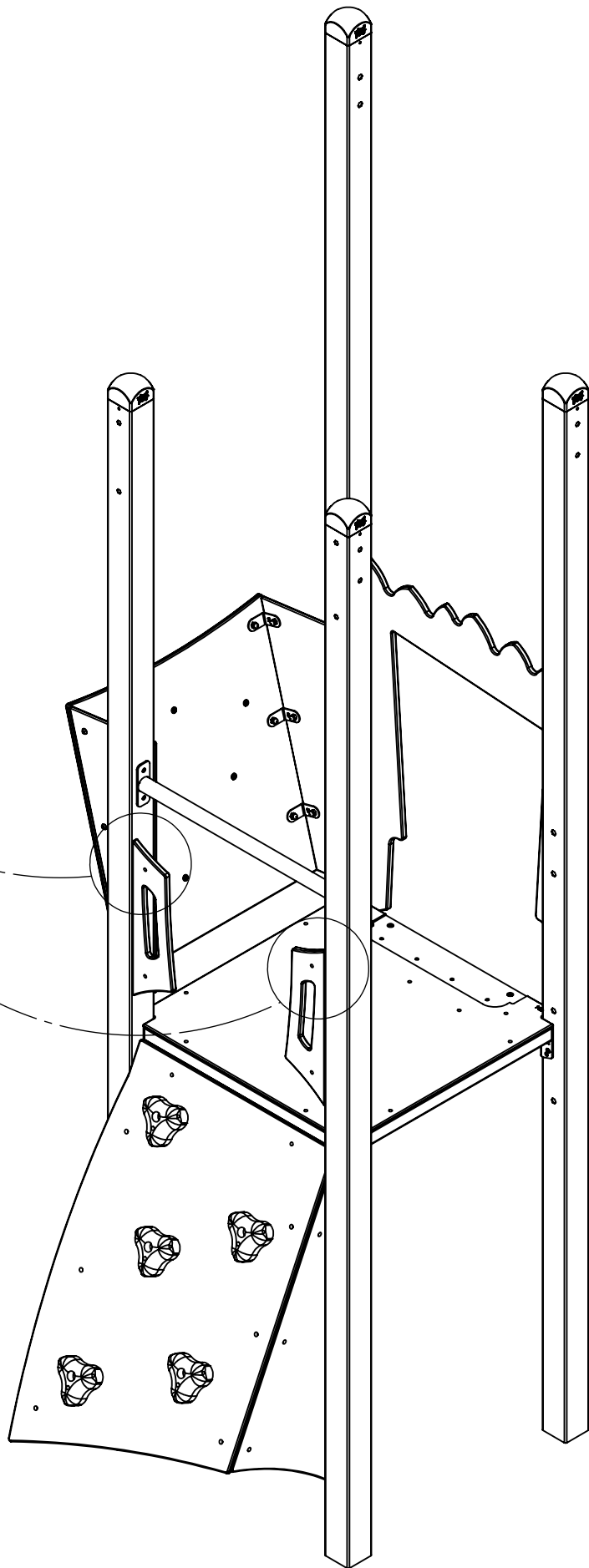
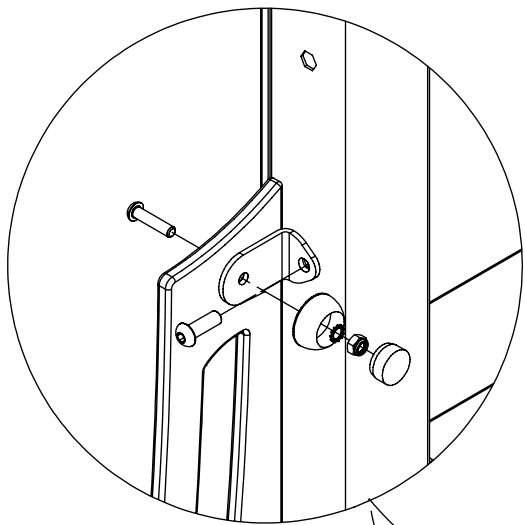
6x 8x25ikl

1x 17p021

[cm]

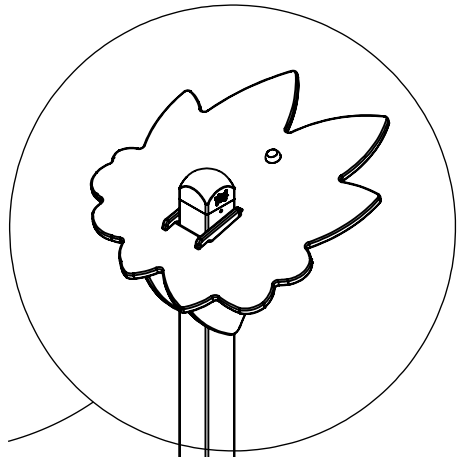
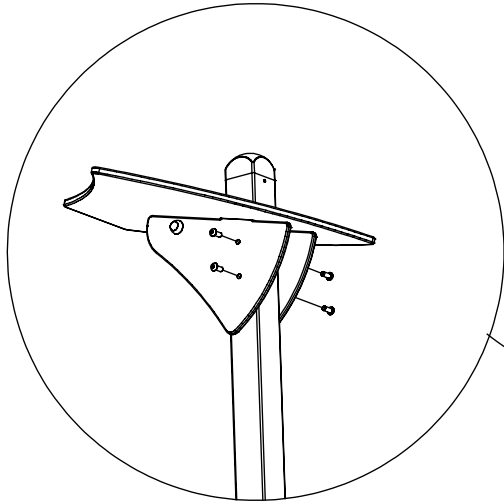
vinci
play

1x 17c004

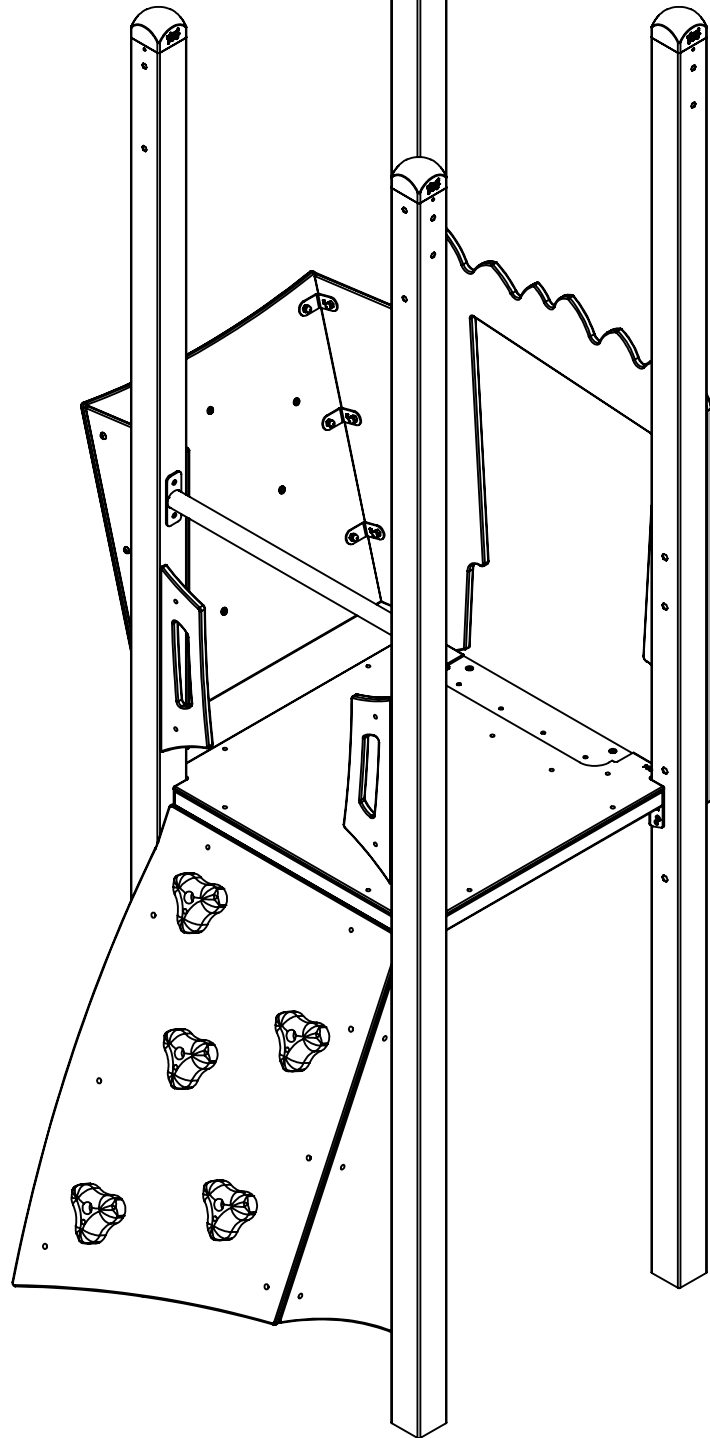


[cm]

vinci
play

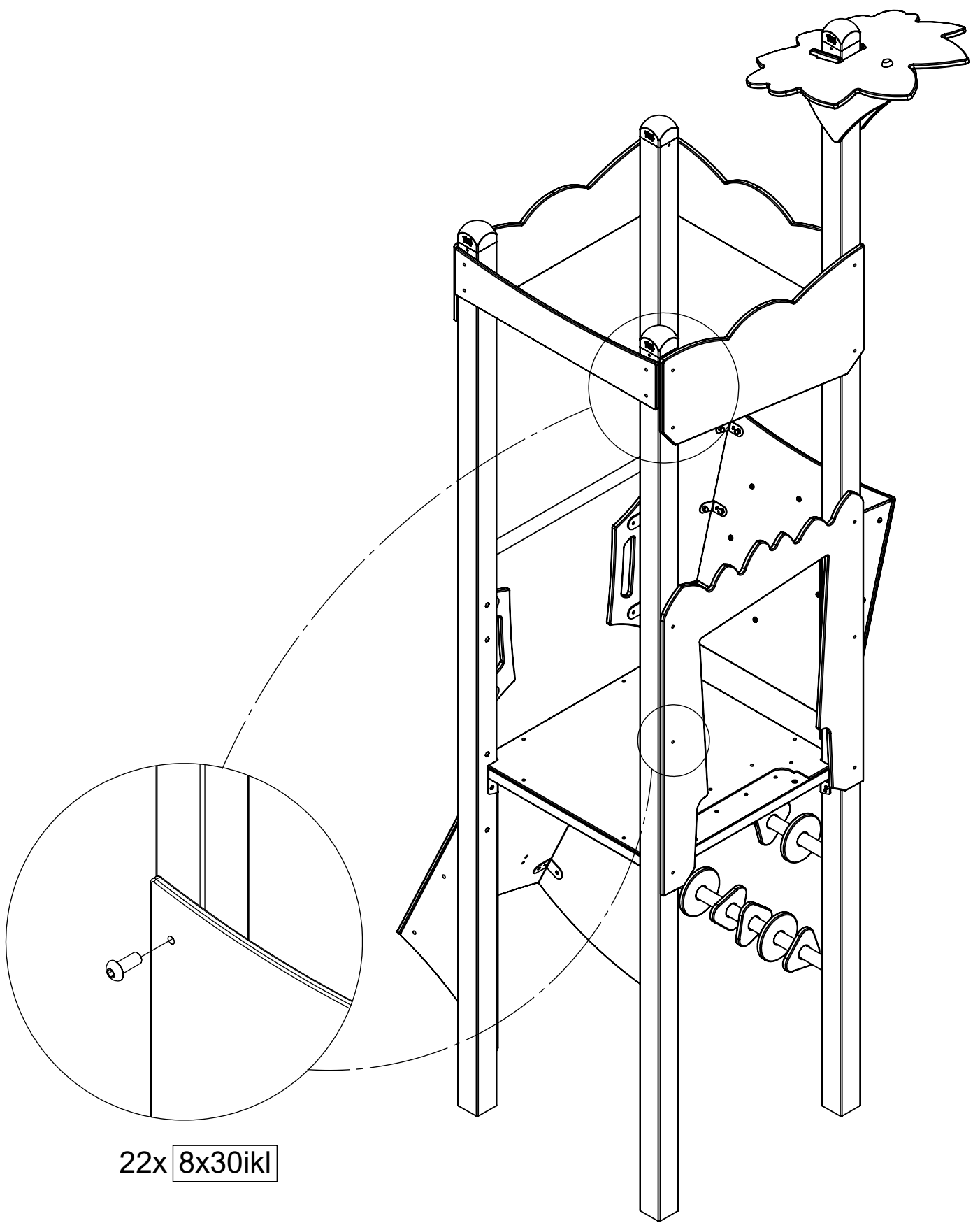


4x 10x25ikl



[cm]

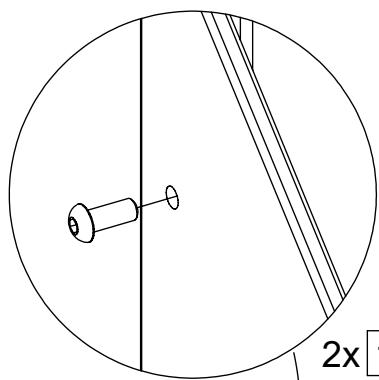
vinci
play



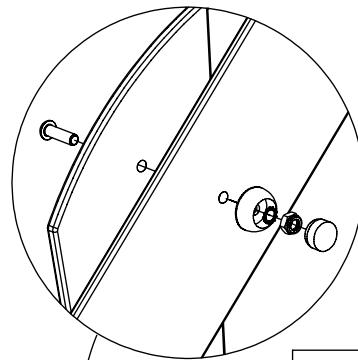
22x 8x30i|l

[cm]

vinci
play

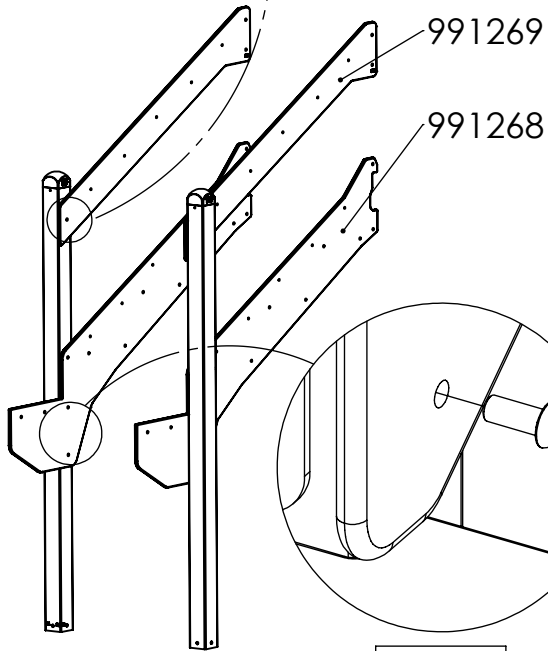
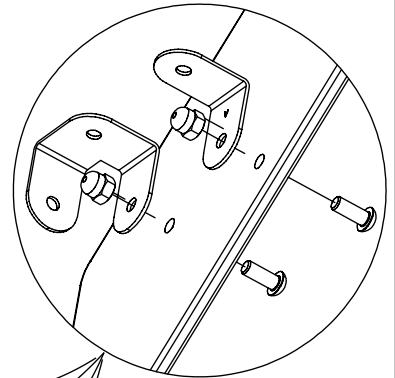


2x 10x25ikl



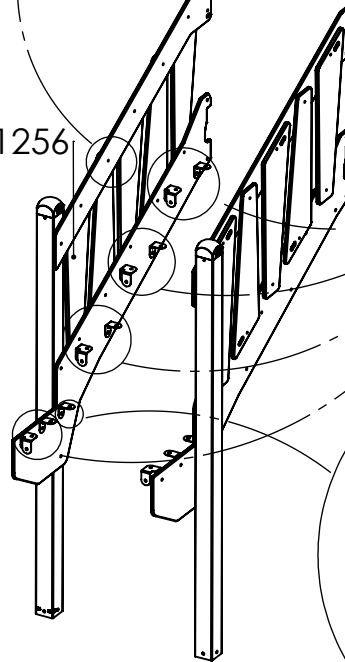
5x 17c098

4x 17p053

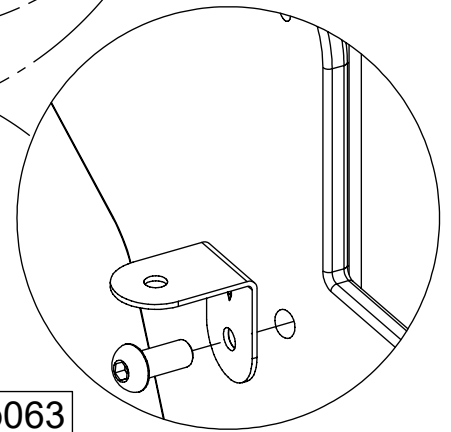


4x 8x25ikl

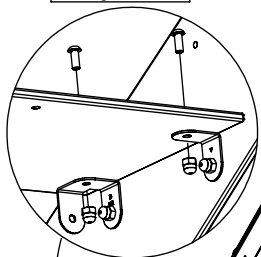
991256



1x 17p063

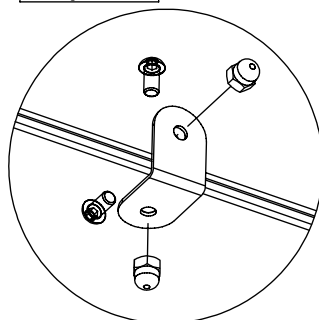


9x 17p059



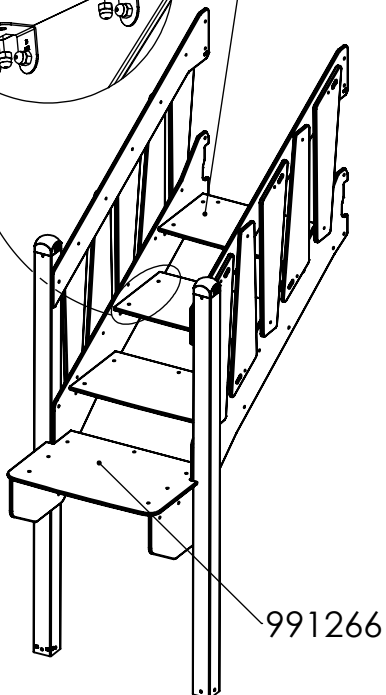
991272

1x 17p027

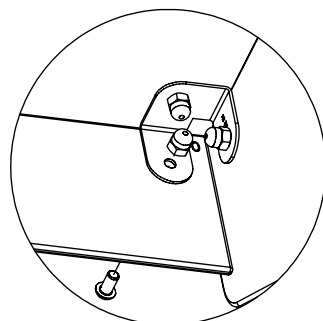


991264

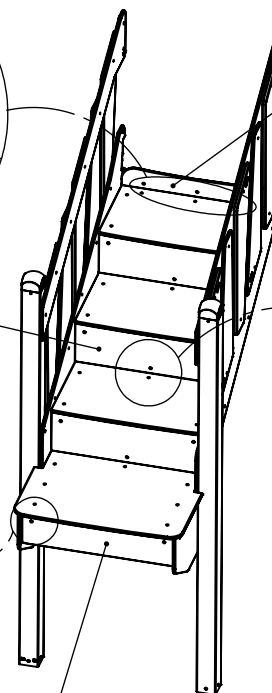
991273



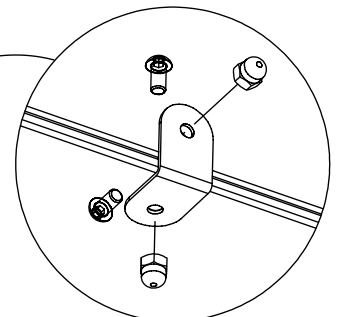
991266



4x 12e030



991270

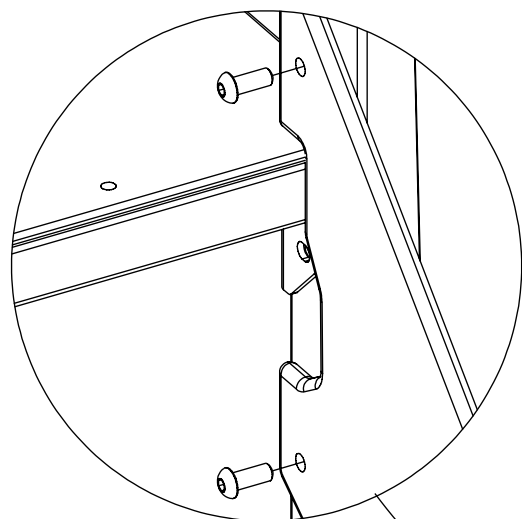
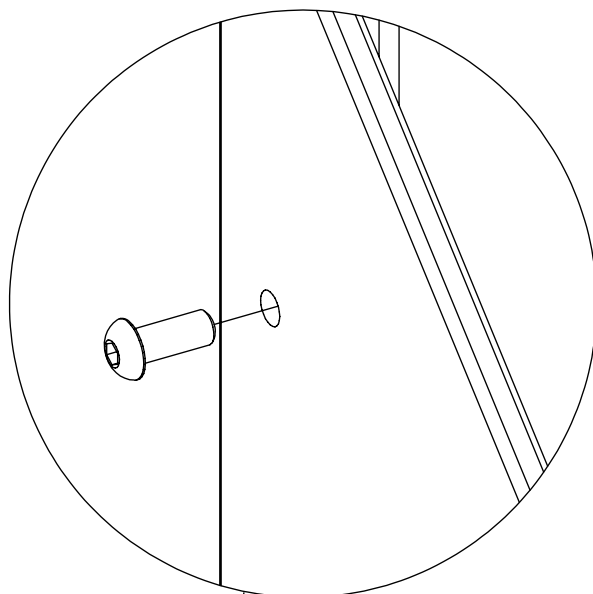


3x 17p055

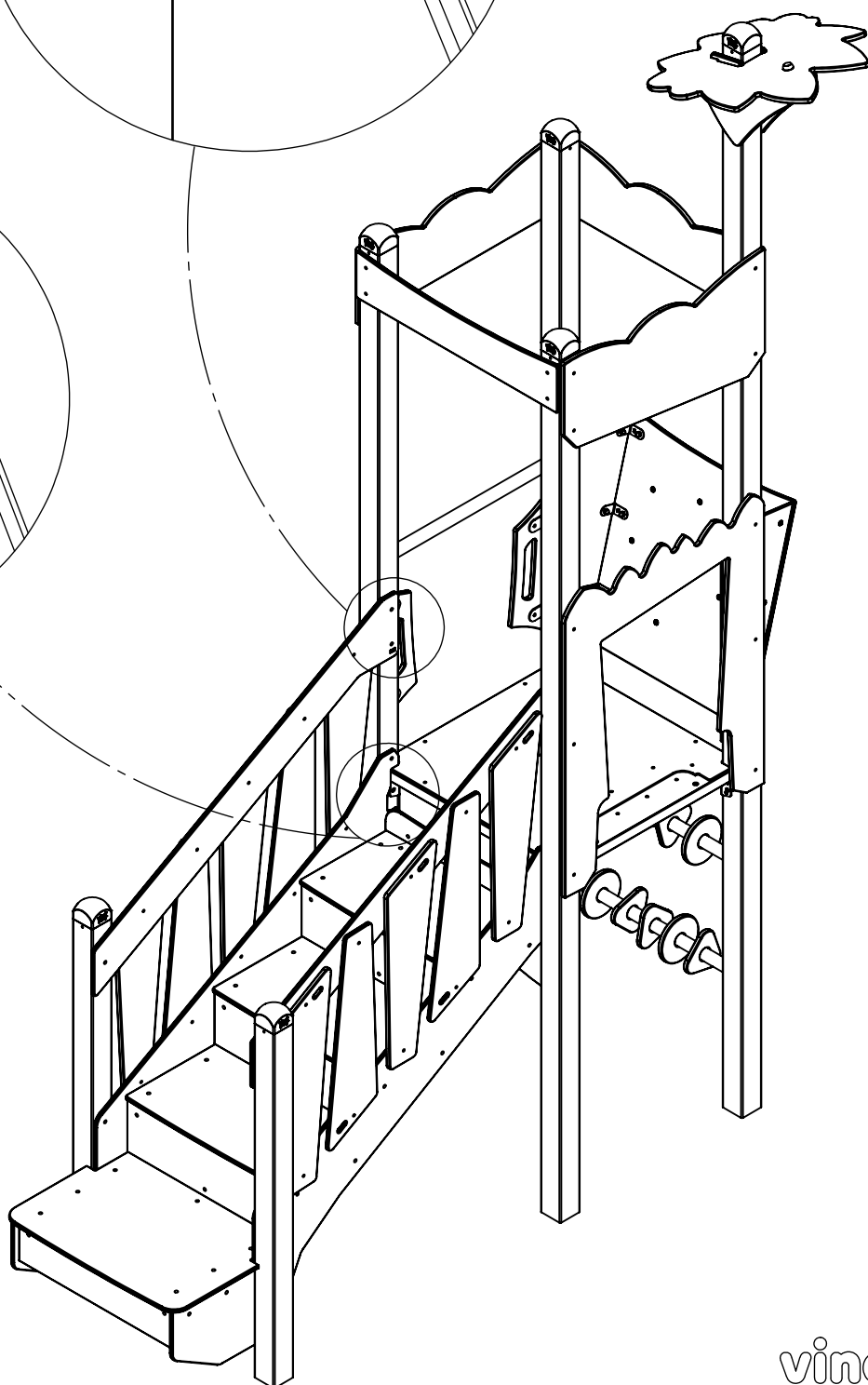
[cm]

vinci play

4x 10x25ikl



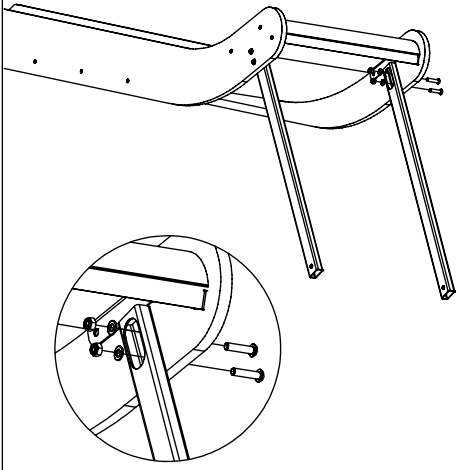
4x 10x25ikl



[cm]

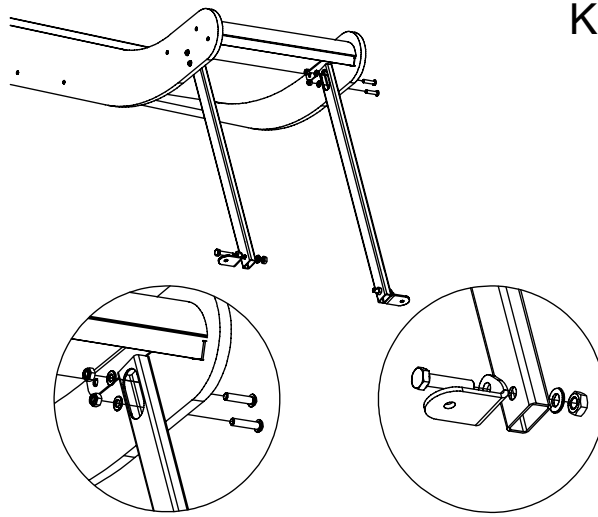
vinci
play

K1



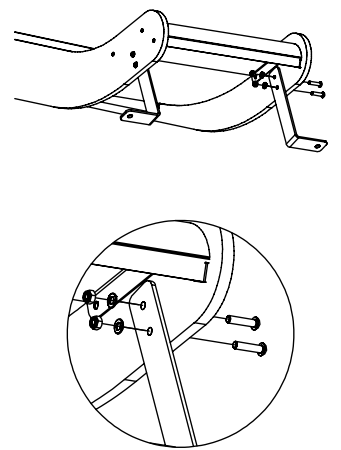
1x E34

K2

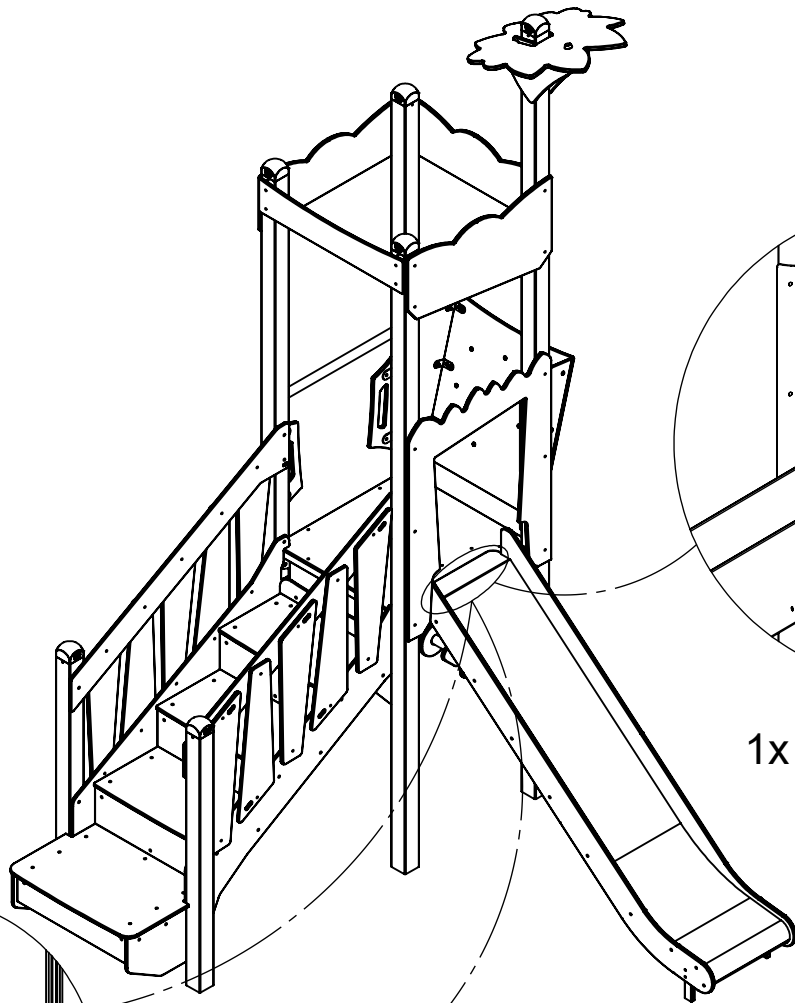


1x E35

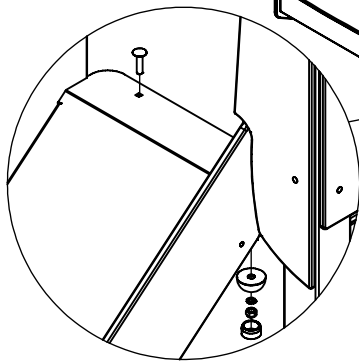
K3



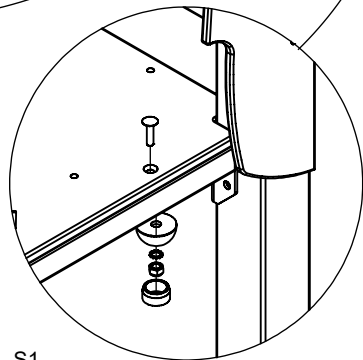
1x E34



1x 17p019^{S6}

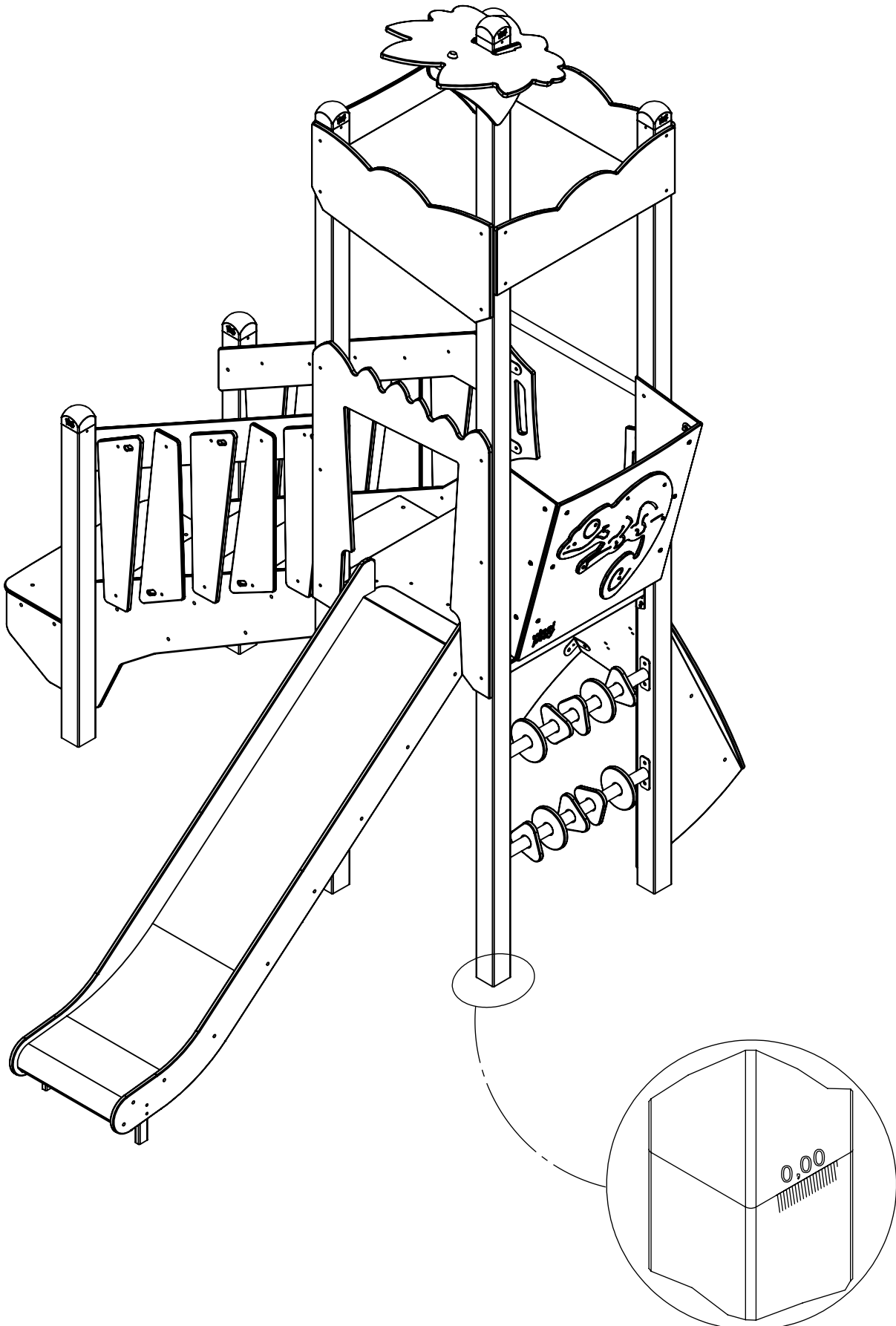


1x 17p017^{S1}



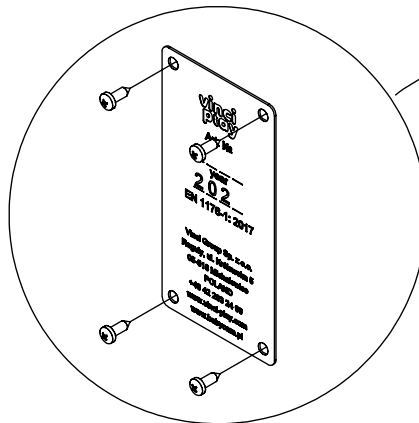
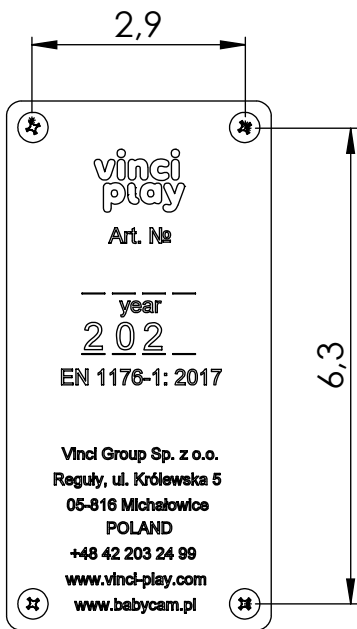
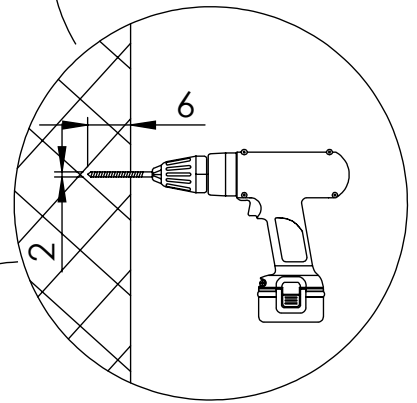
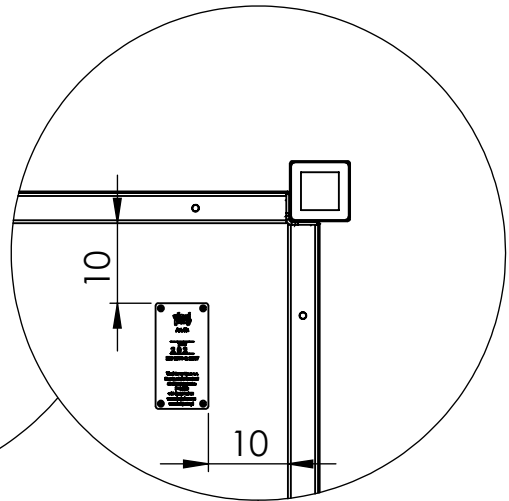
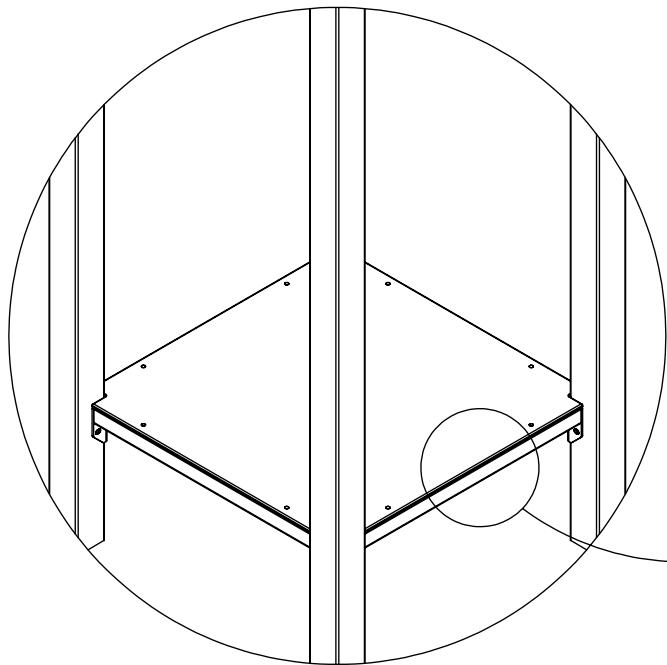
[cm]

vinci play




[cm]

vinci
play

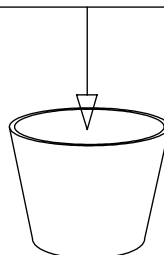


V001

Part No:
000000-
00000



000000-00000



[cm]

vinci
play