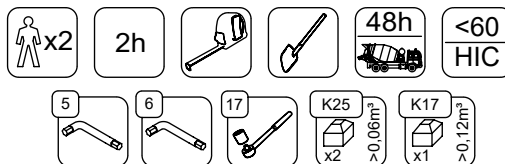
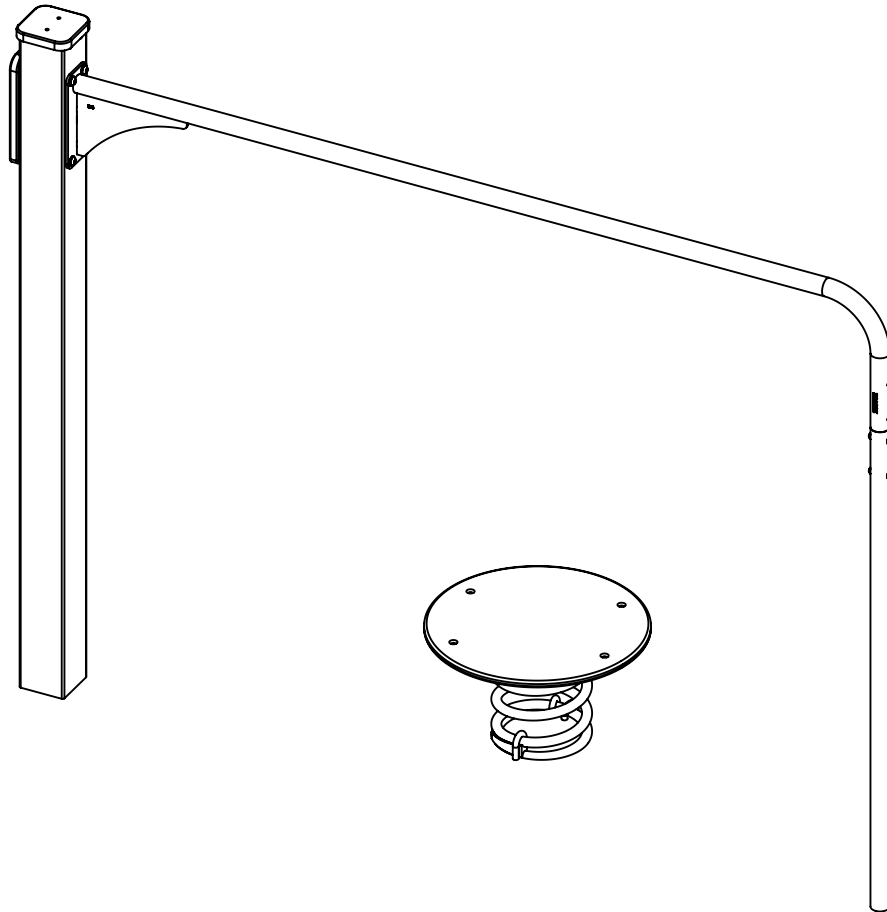
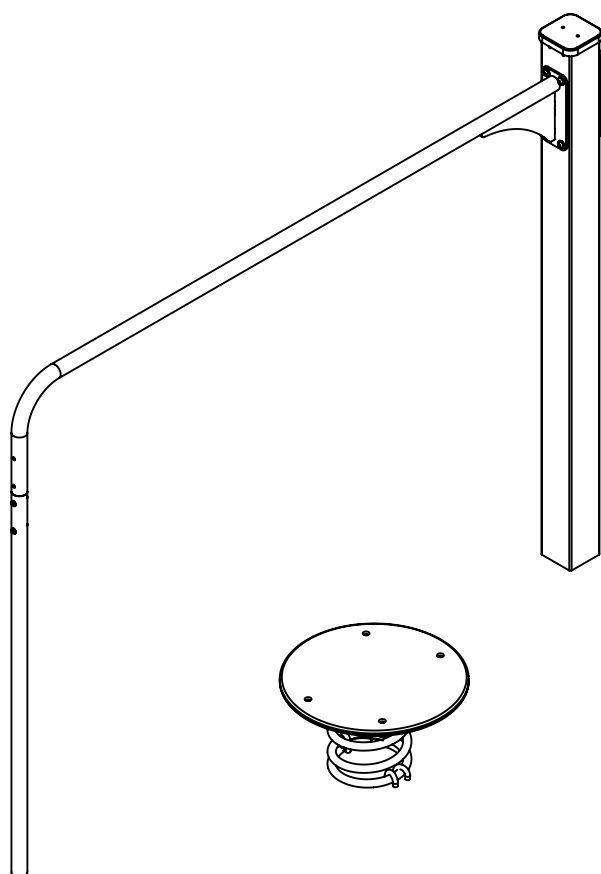
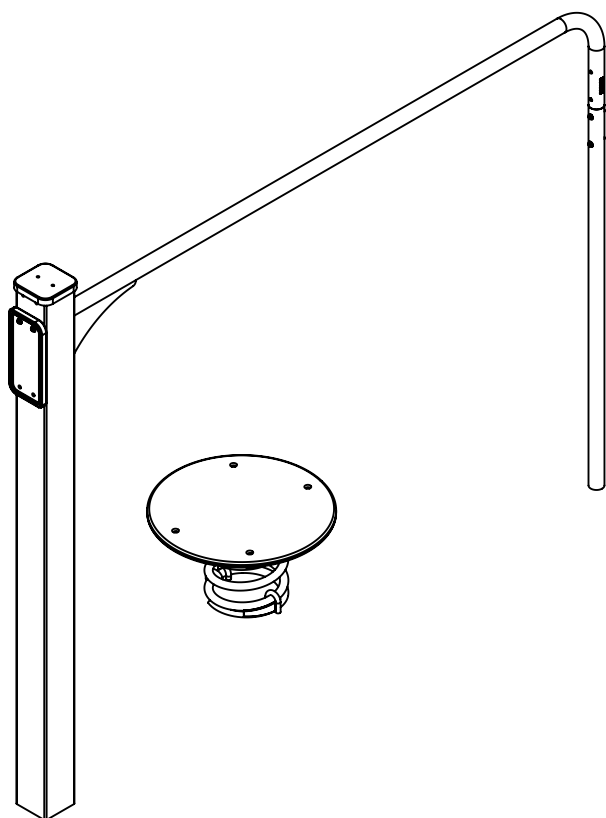


2705



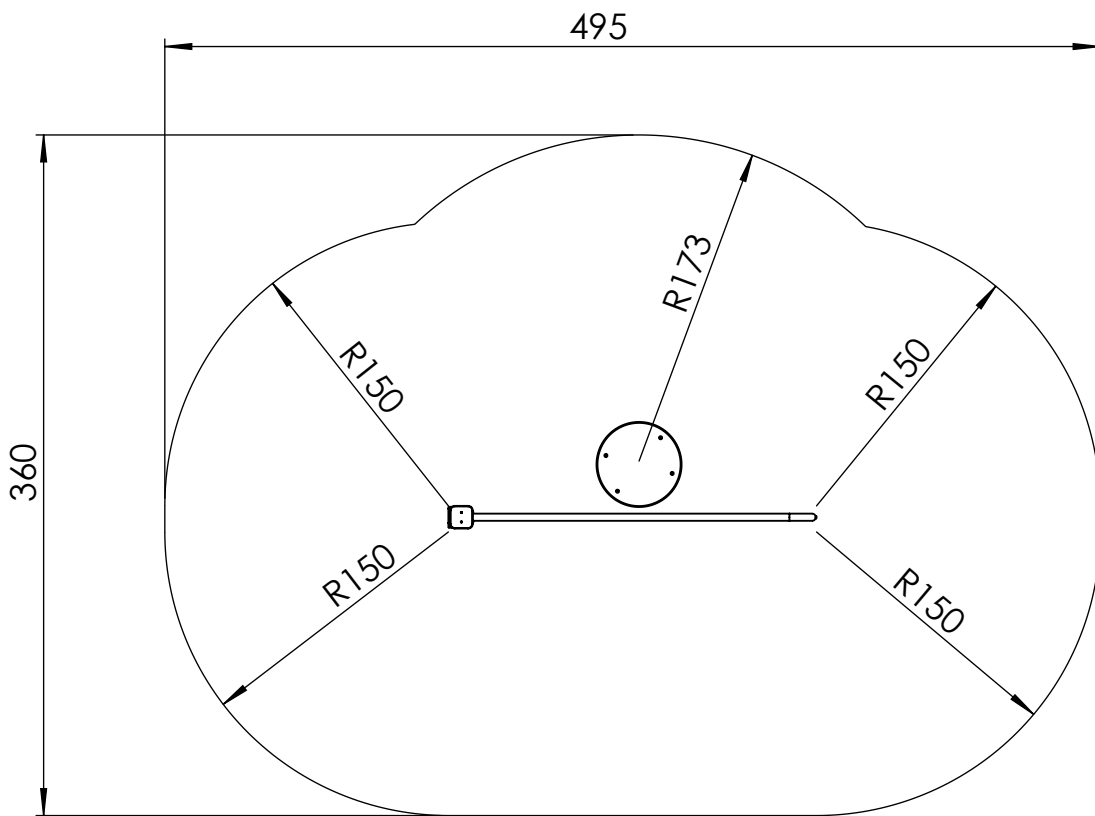
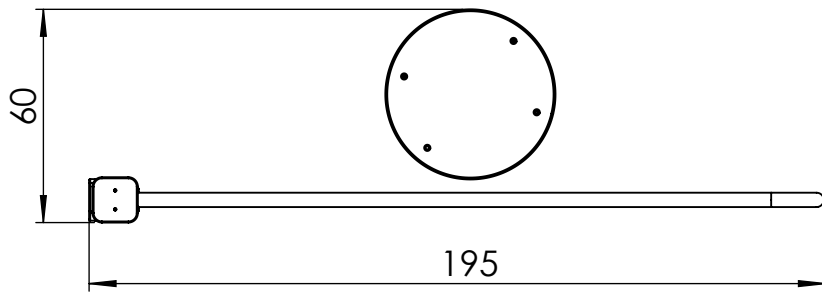
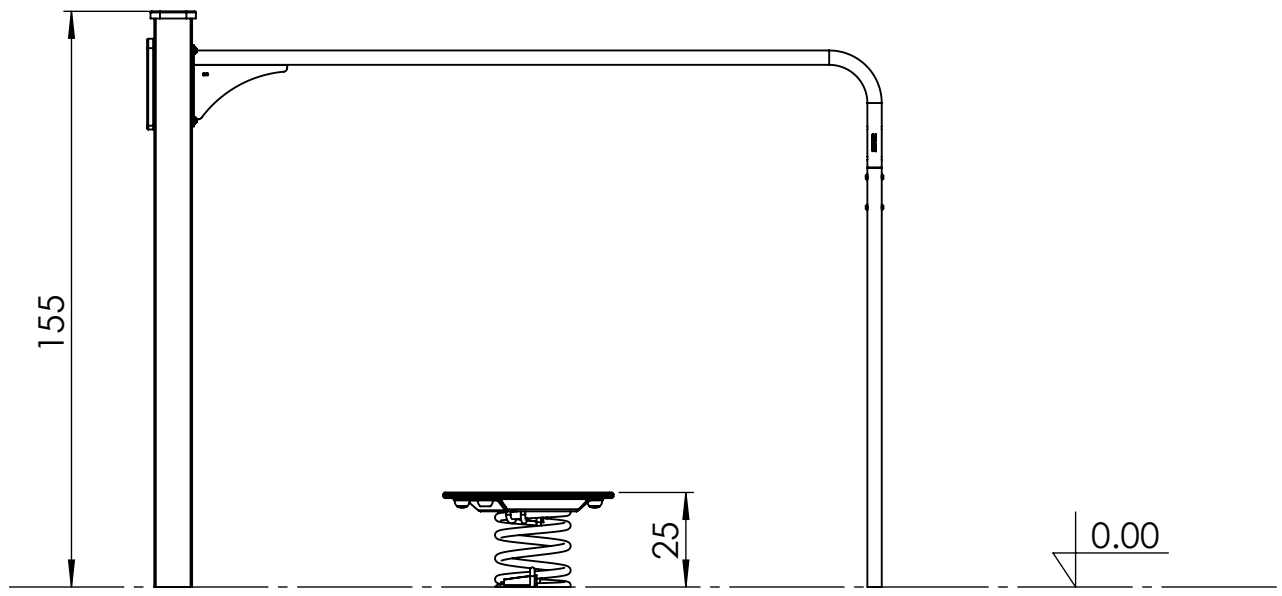
v010
21.12.2023
I.A.
[cm]

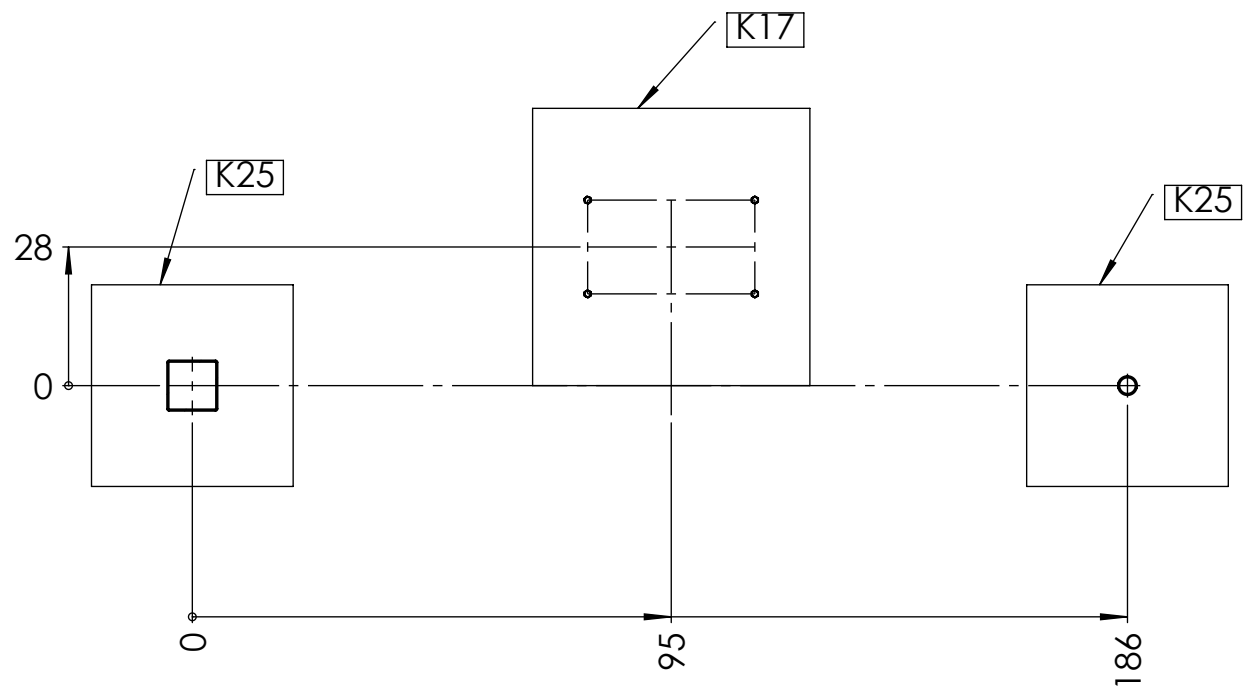
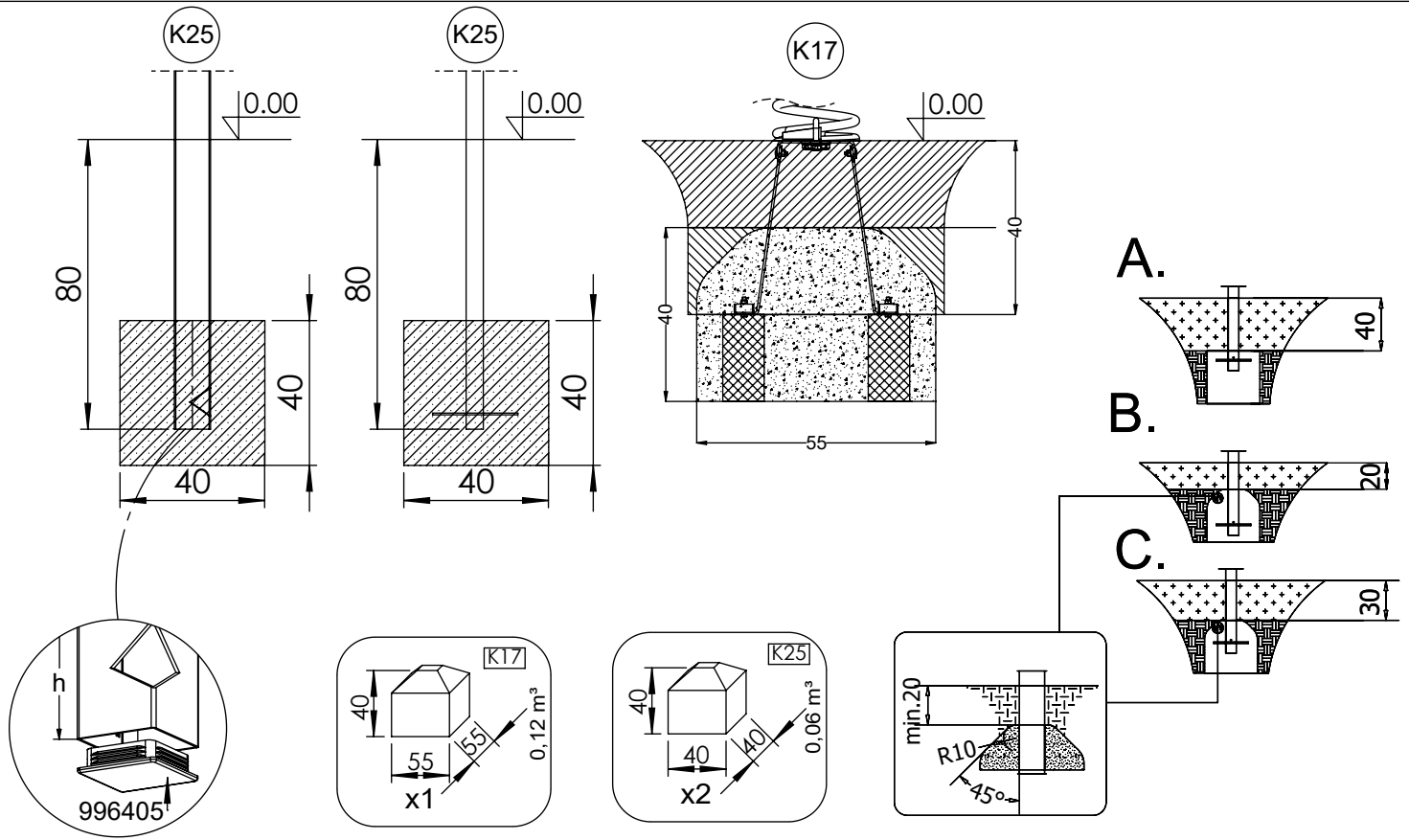
vinci
play



[cm]

vinci
play





[cm]

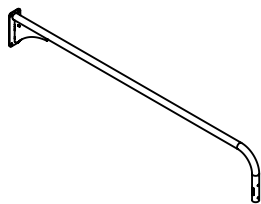
x2
 2h

 48h
 K25 x2 >0,06m³
 K17 x1 >0,12m³

vinci
play



2705_A
x1



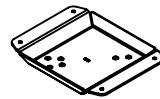
232102
x1



273104
x1



233118
x1



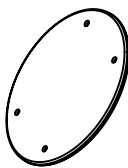
233118
x1



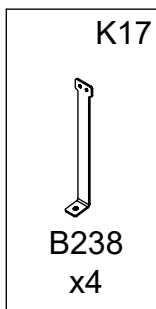
996180
x1



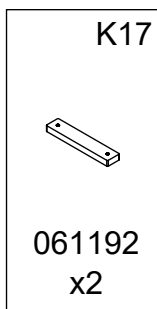
b239
x1



271115
x1

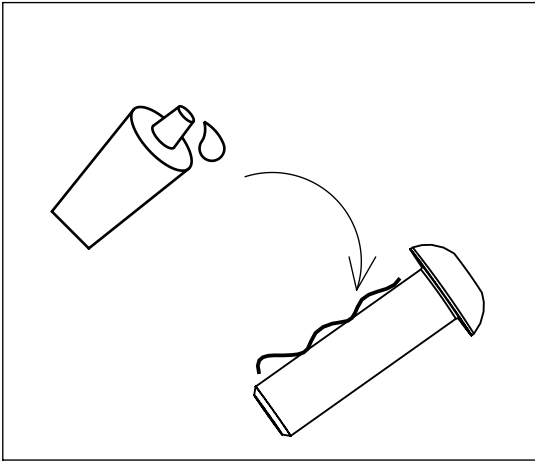
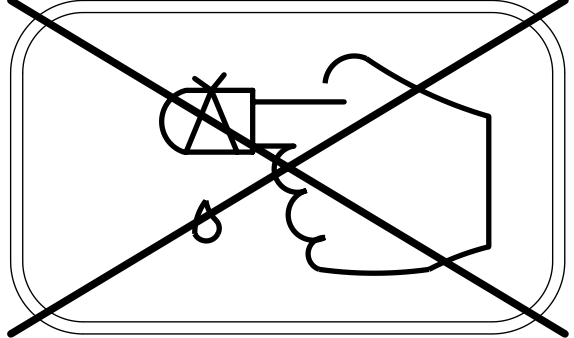
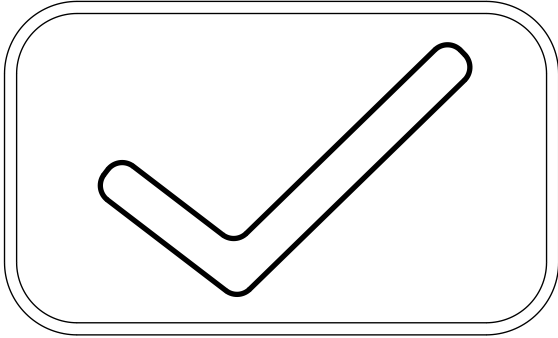
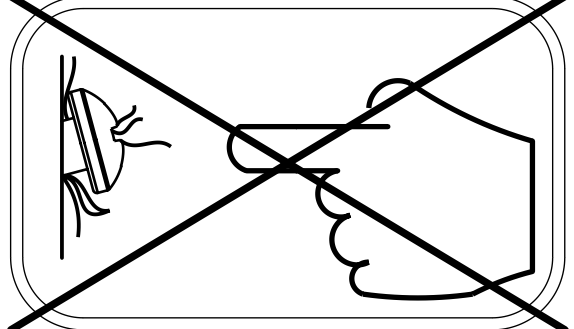
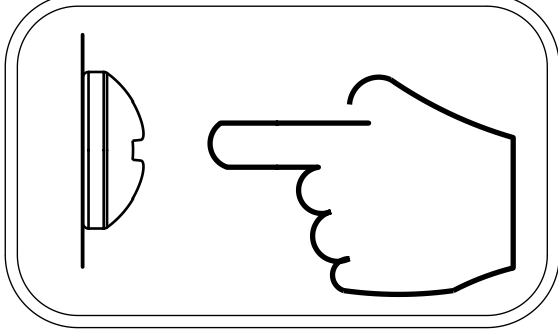
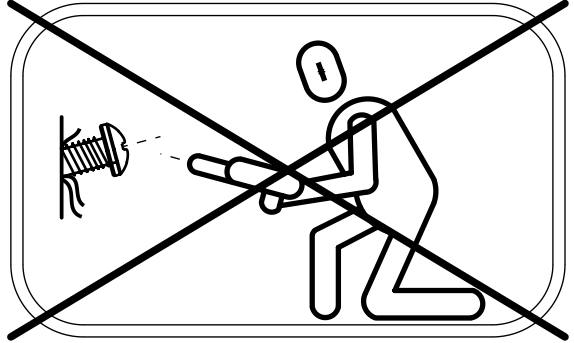
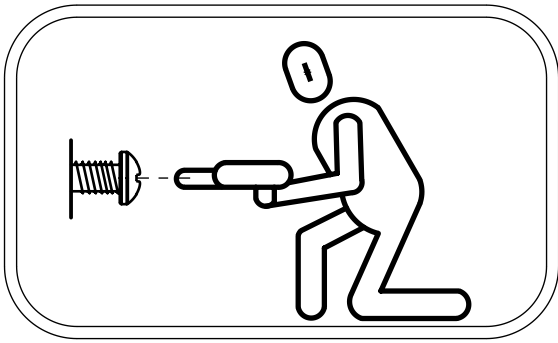


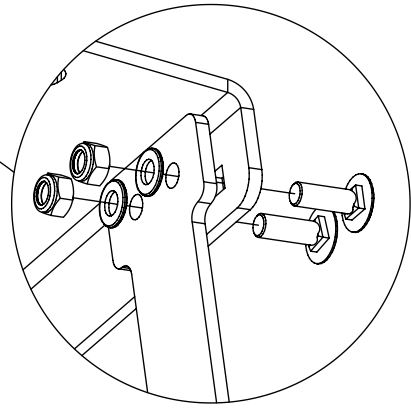
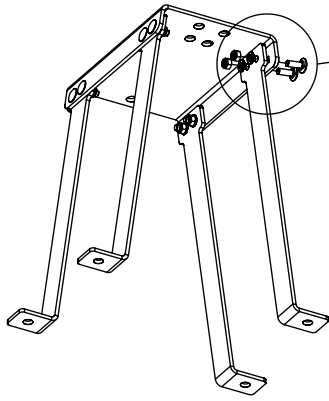
B238
x4



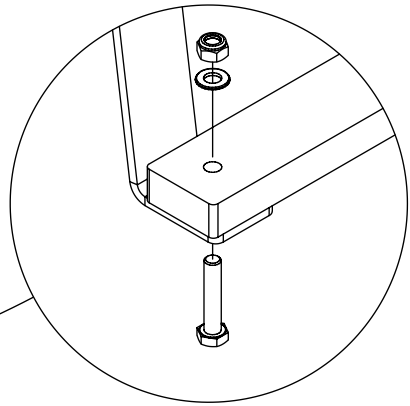
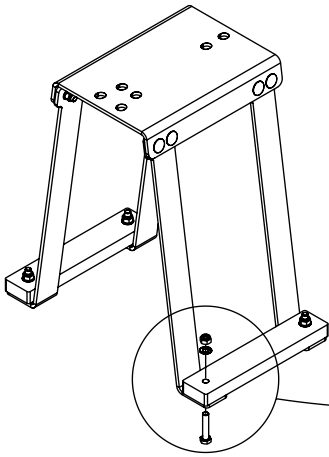
061192
x2

1x	SP1
2x	SP2
1x	SP3
1x	SP102
1x	23e004
8x	8x16ikl
1x	23e001
1x	23e003
1x	276103
1x	996405

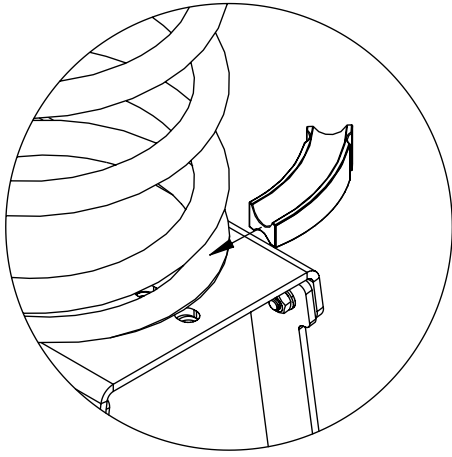




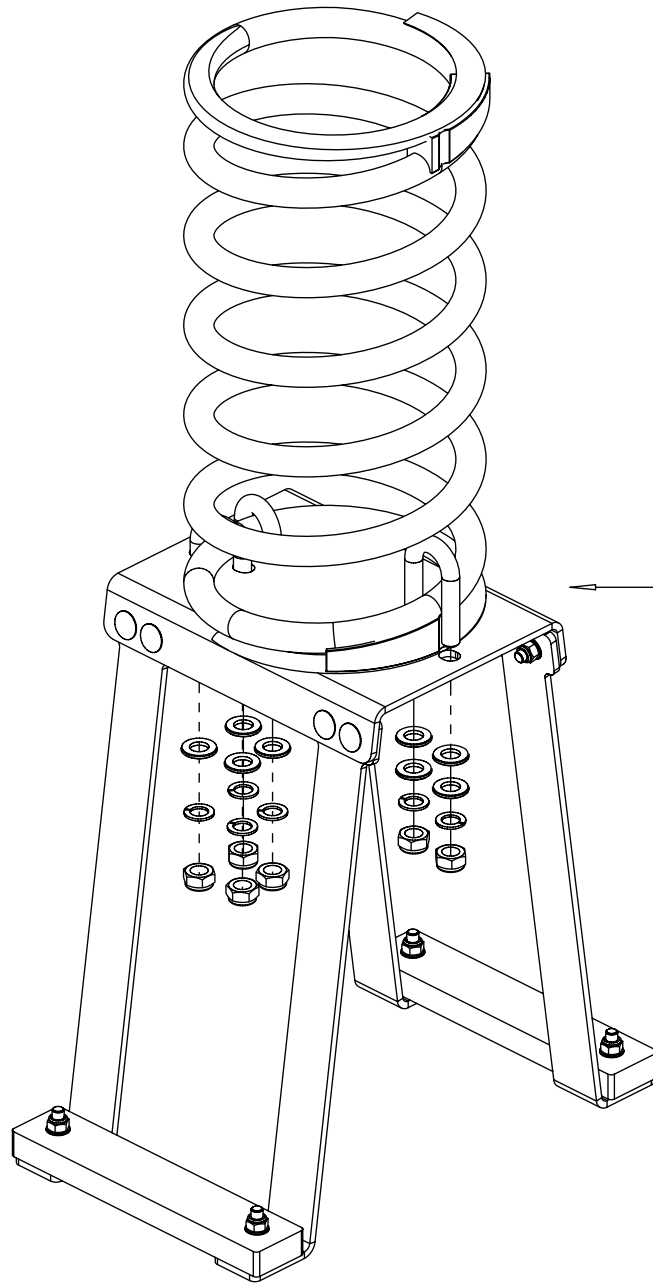
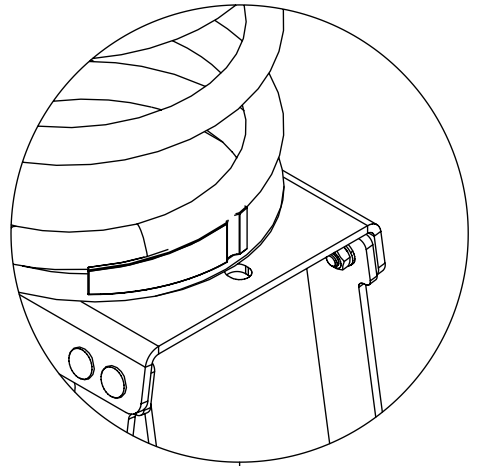
SP1 x1



SP3 x1



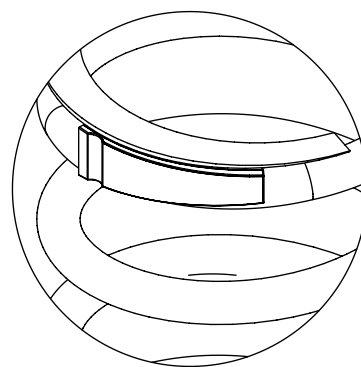
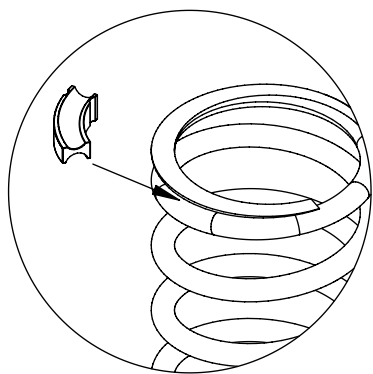
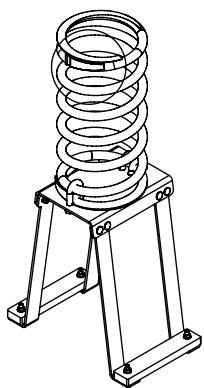
SP2 x1



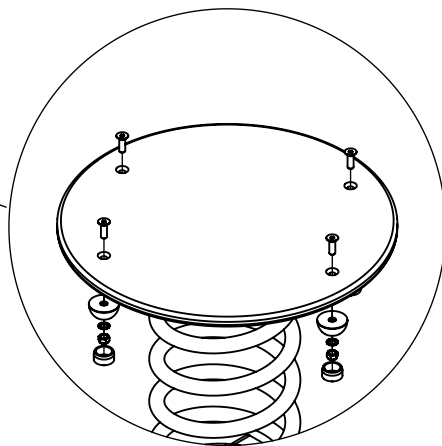
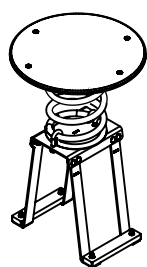
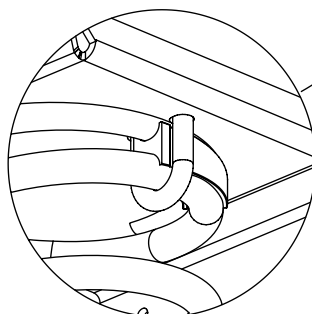
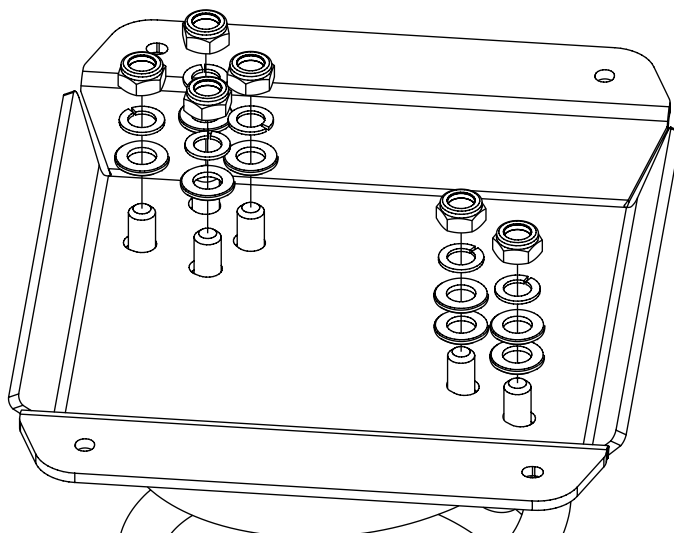
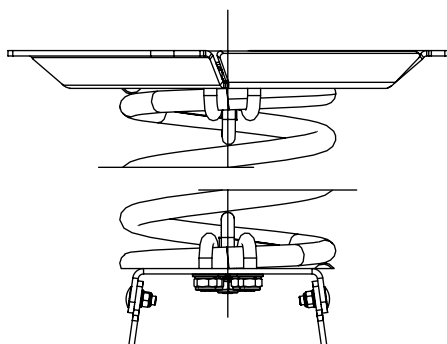
[cm]



vinci
play



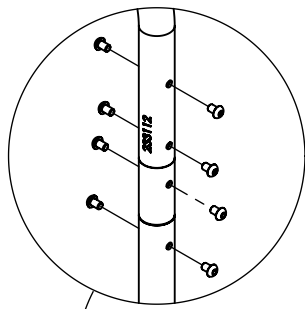
SP2 x1



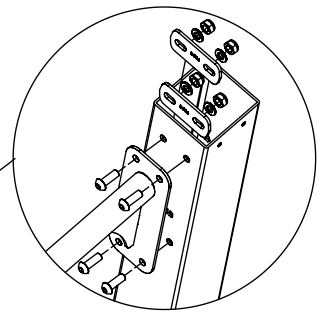
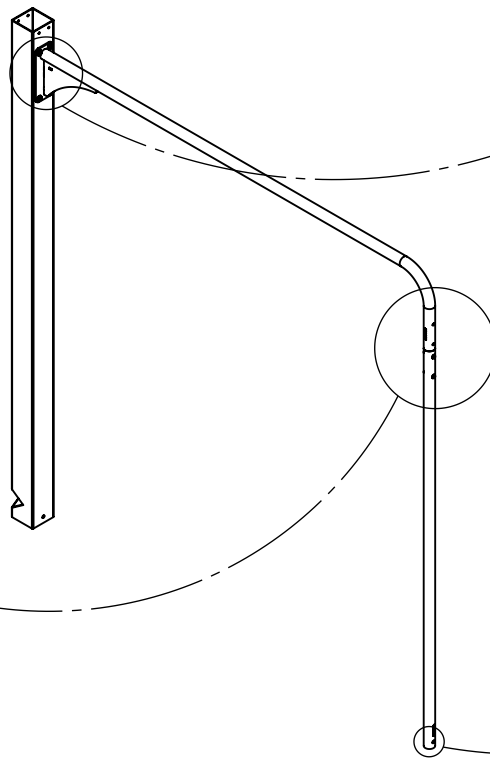
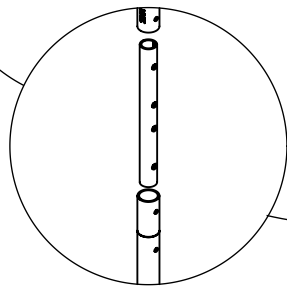
[cm]



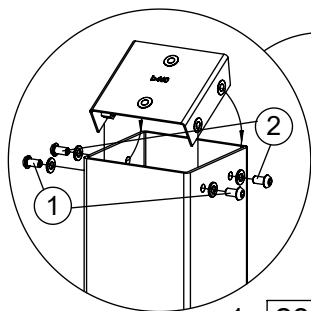
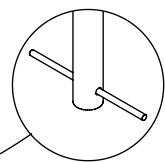
vinci
play



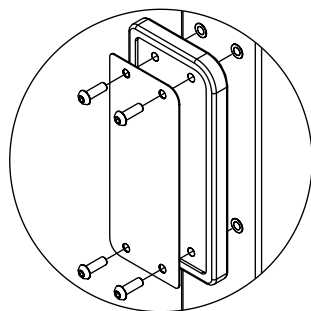
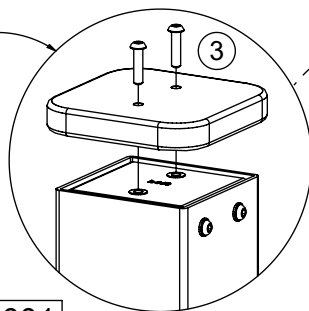
8x 8x16ikl



1x 23e004

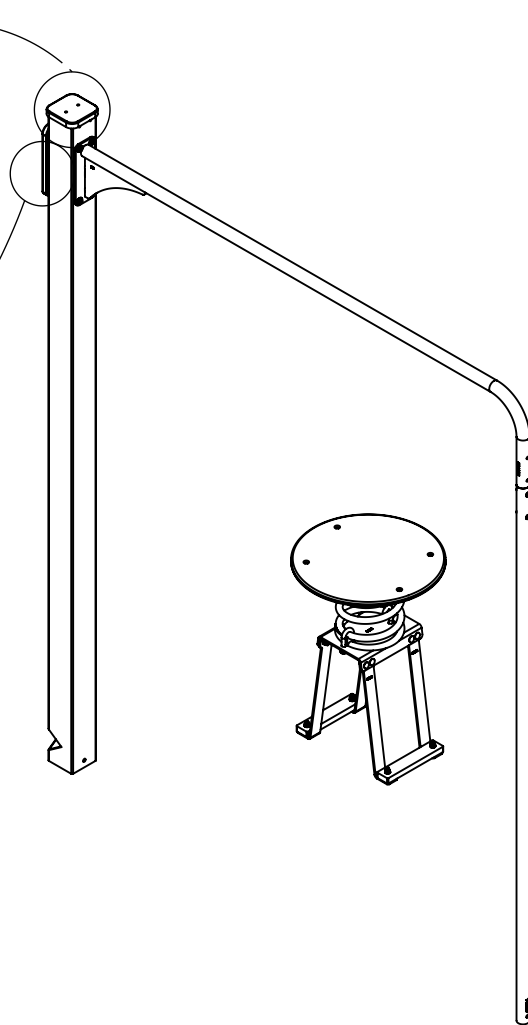


1x 23e001



1x 23e003

1x 276103



[cm]



vinci play

