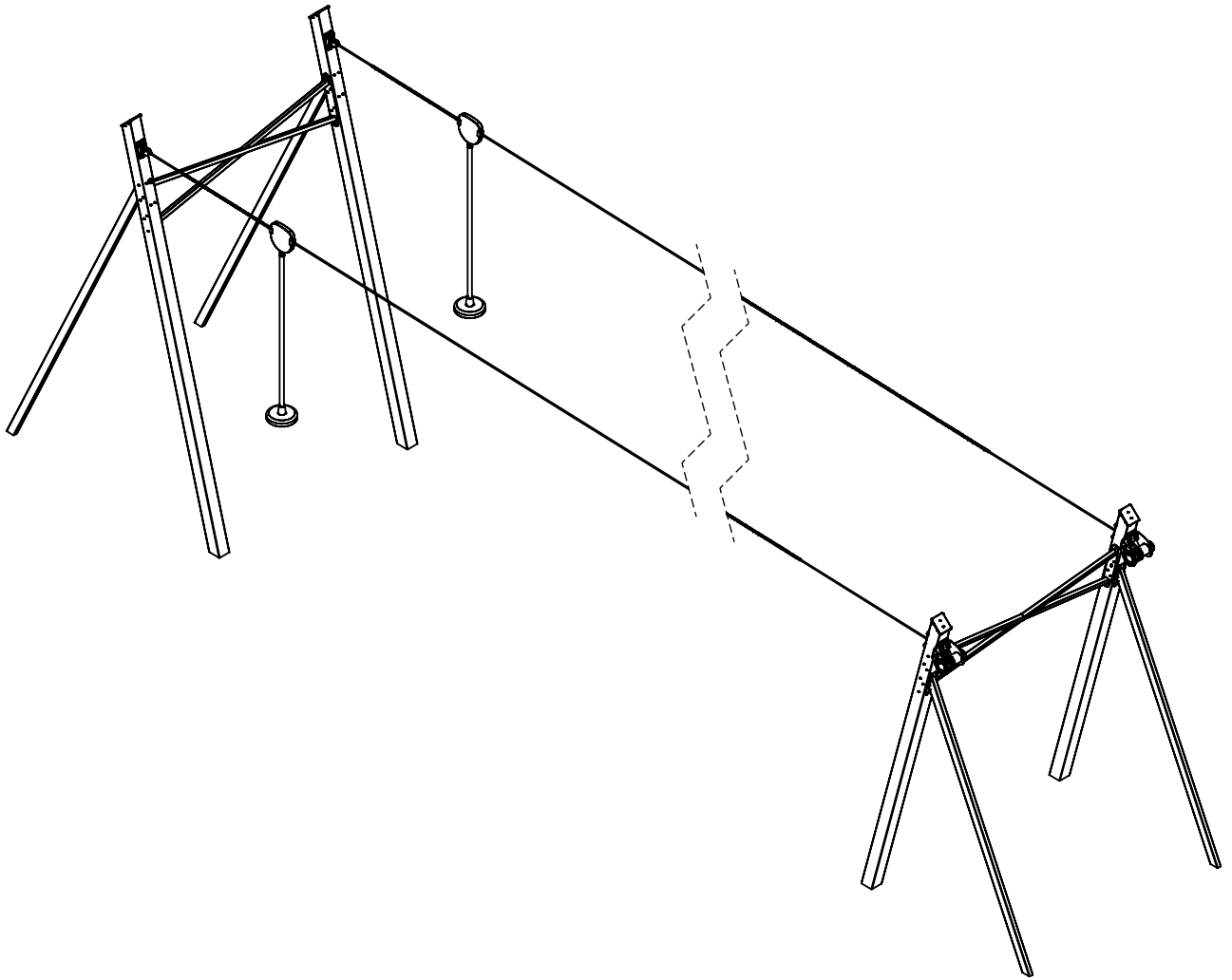


0421H

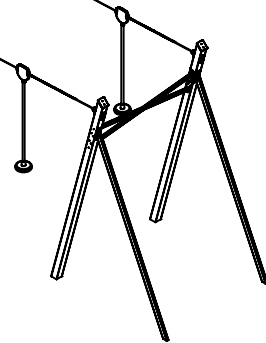
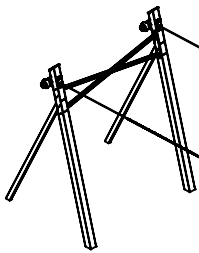
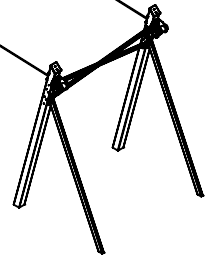
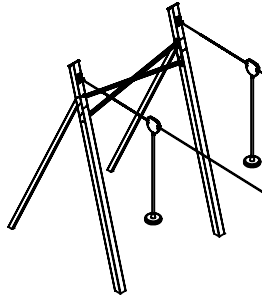


	6h	175 HIC			48h		0.22 m ³
--	----	------------	--	--	-----	--	---------------------

4	5	6	8	13	17	19	
---	---	---	---	----	----	----	--

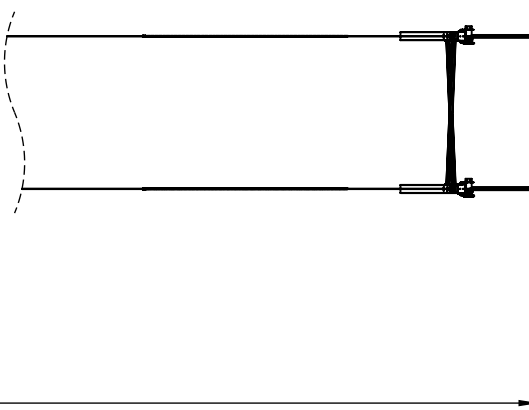
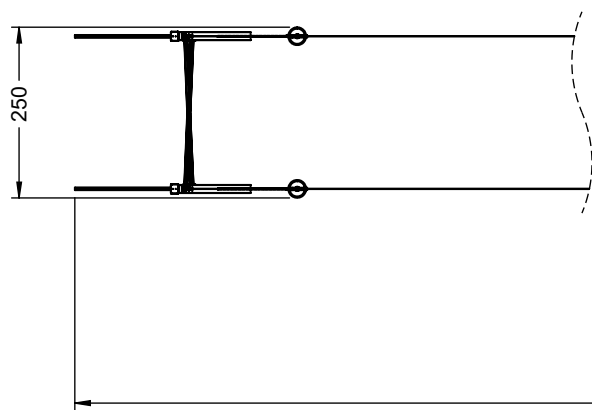
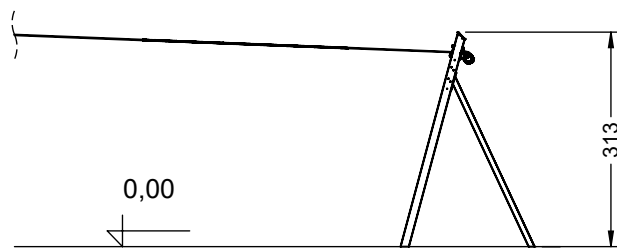
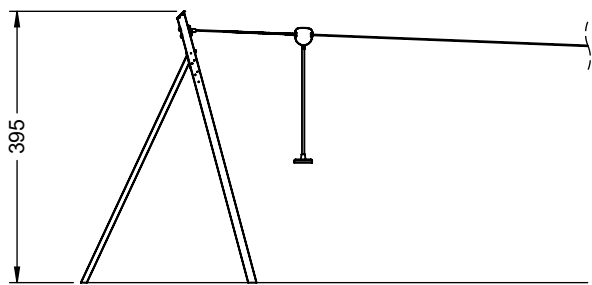
v010
09.01.2024
K. M.
[cm]

vinci
play



[cm]

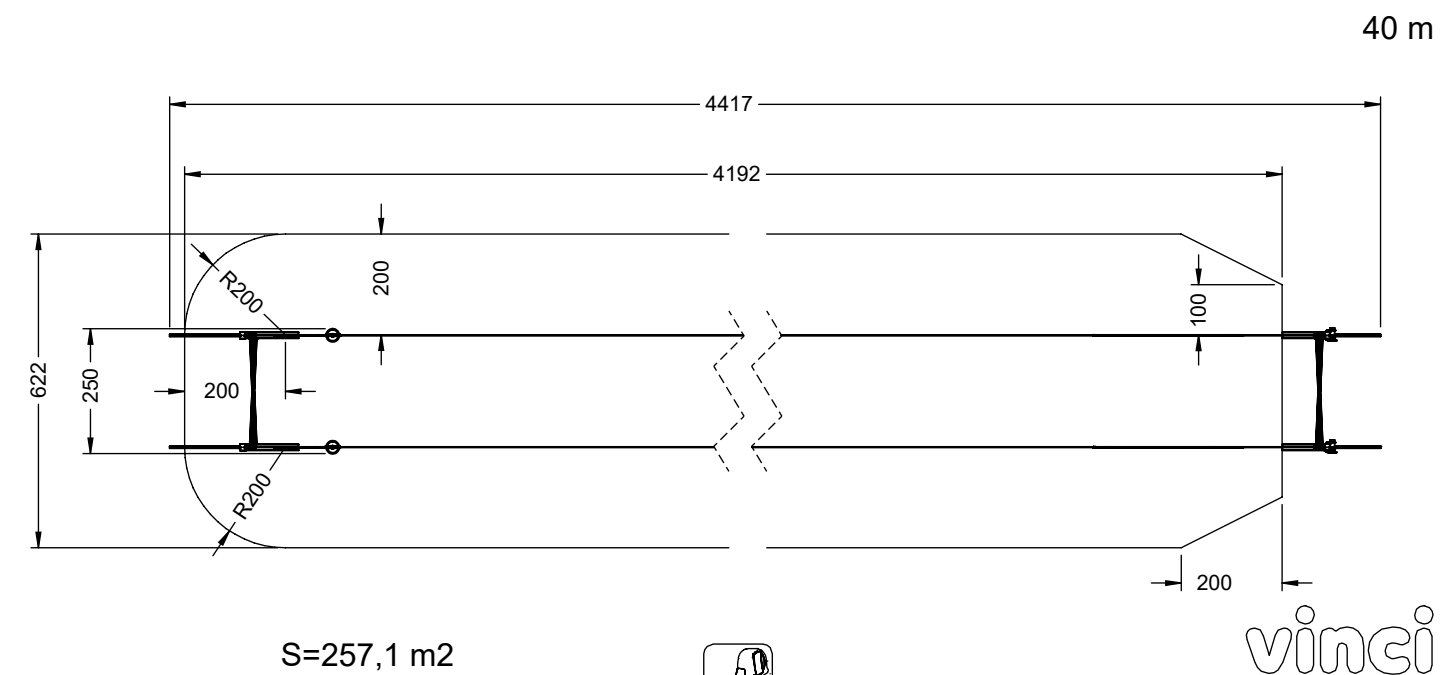
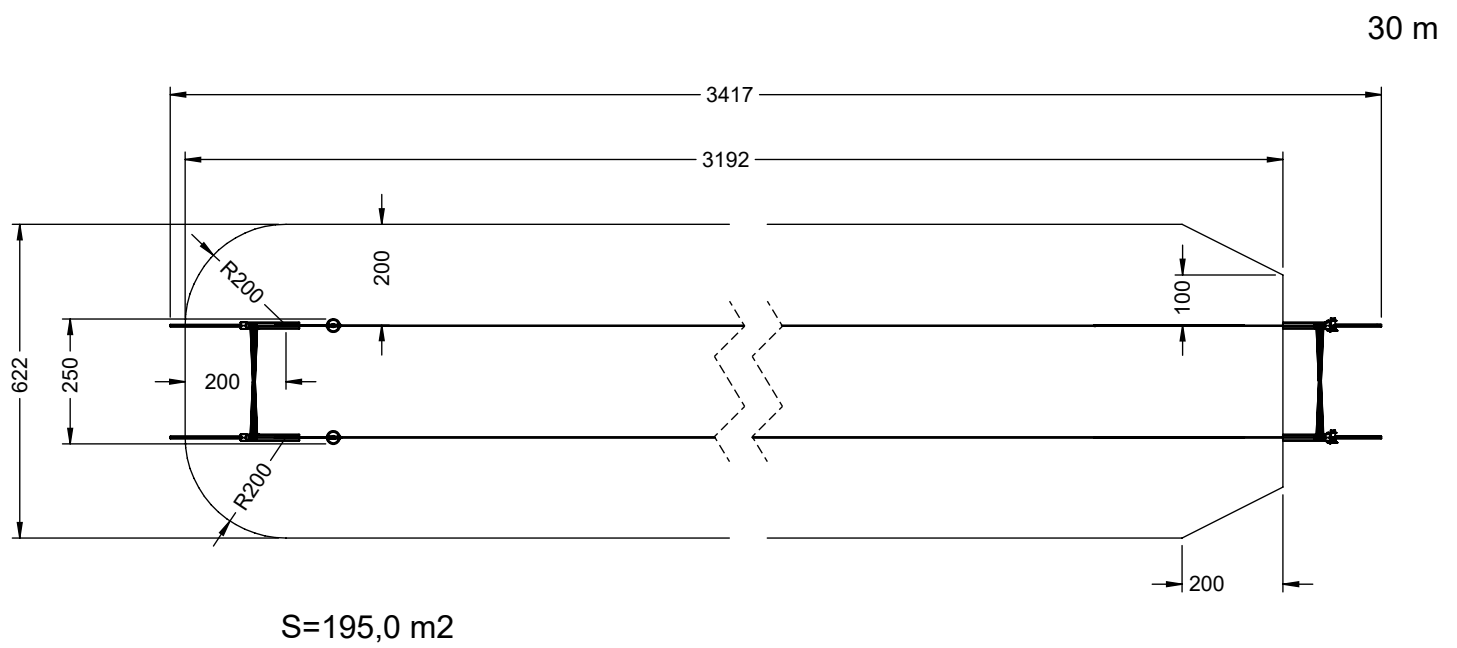
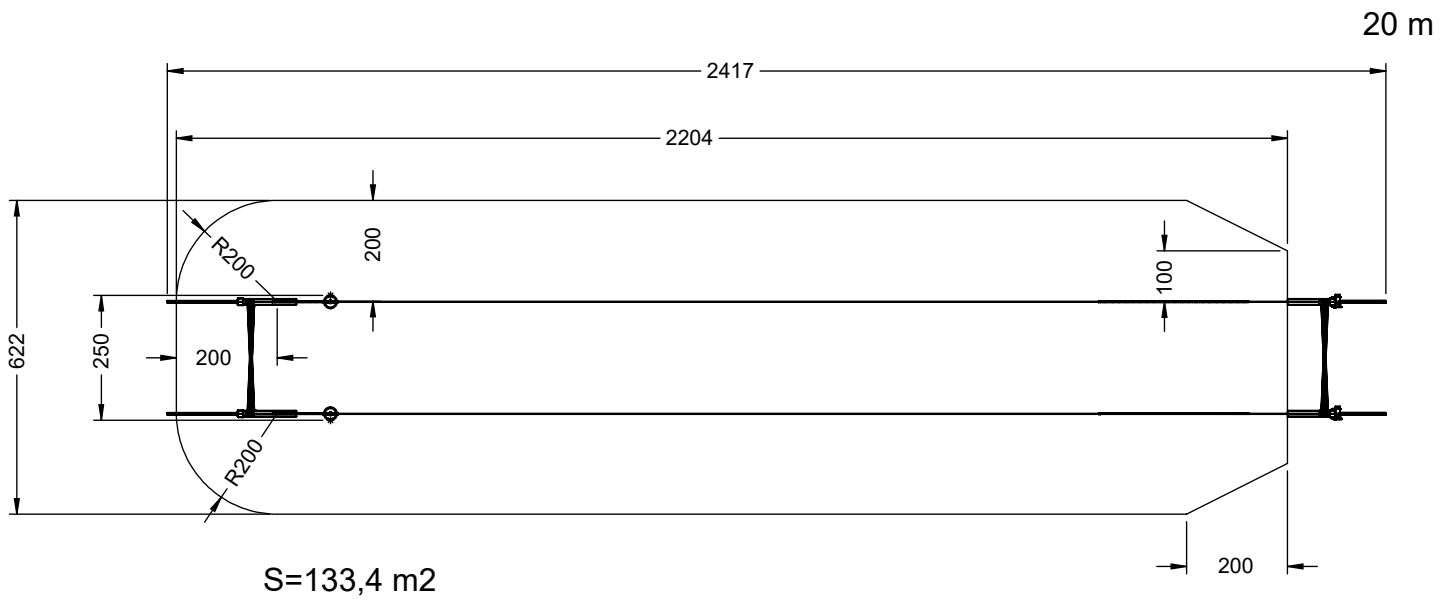
vinci
play



	L
0421H - 20 m	2417
0421H - 30 m	3417
0421H - 40 m	4417

[cm]

vinci
play

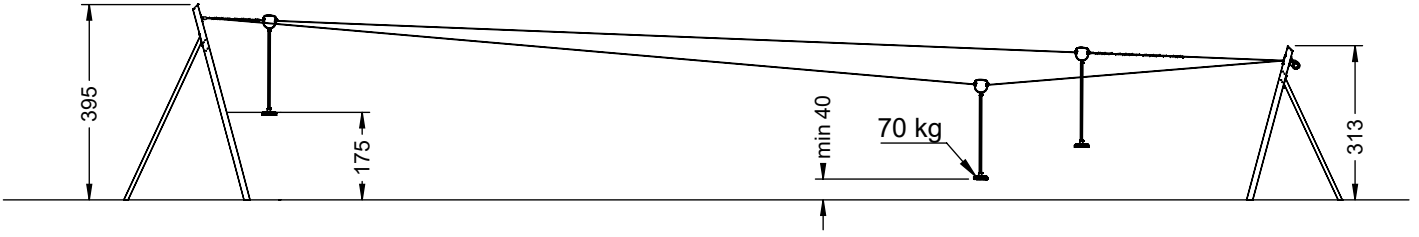


[cm]

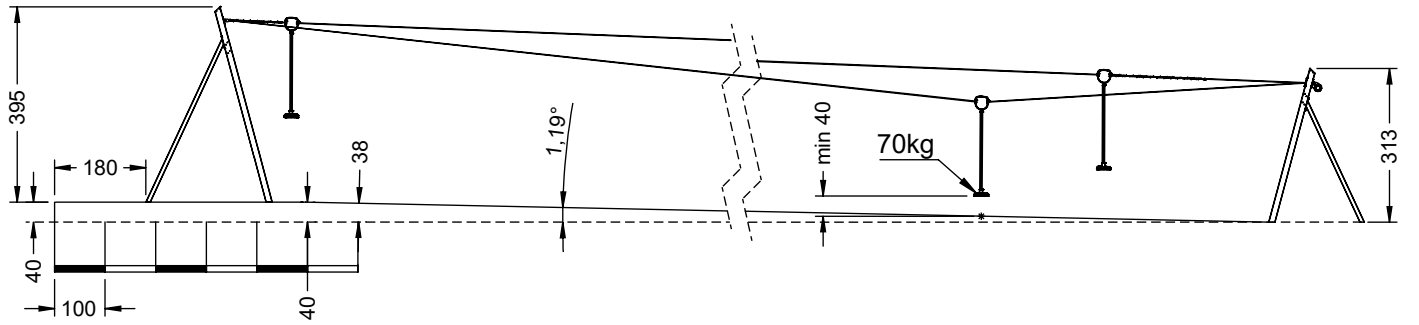


vinci
play

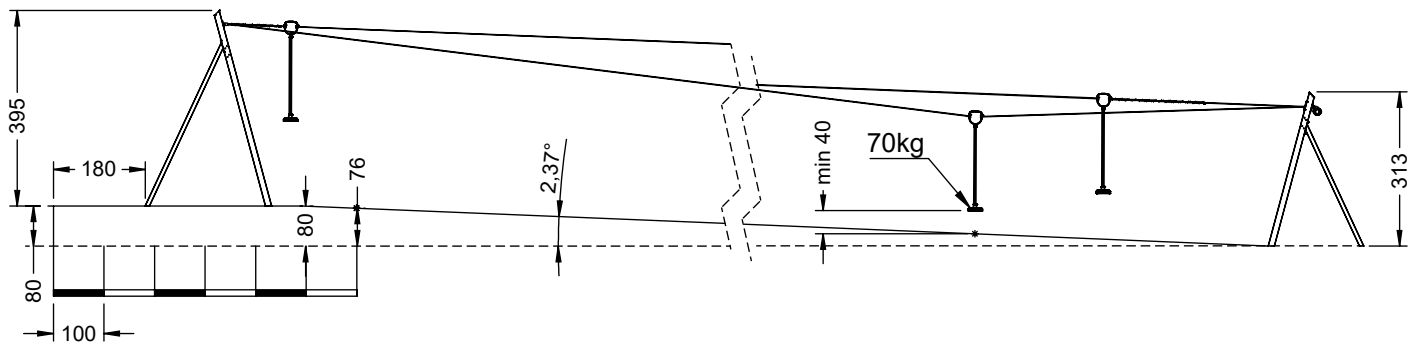
20m



30m



40m

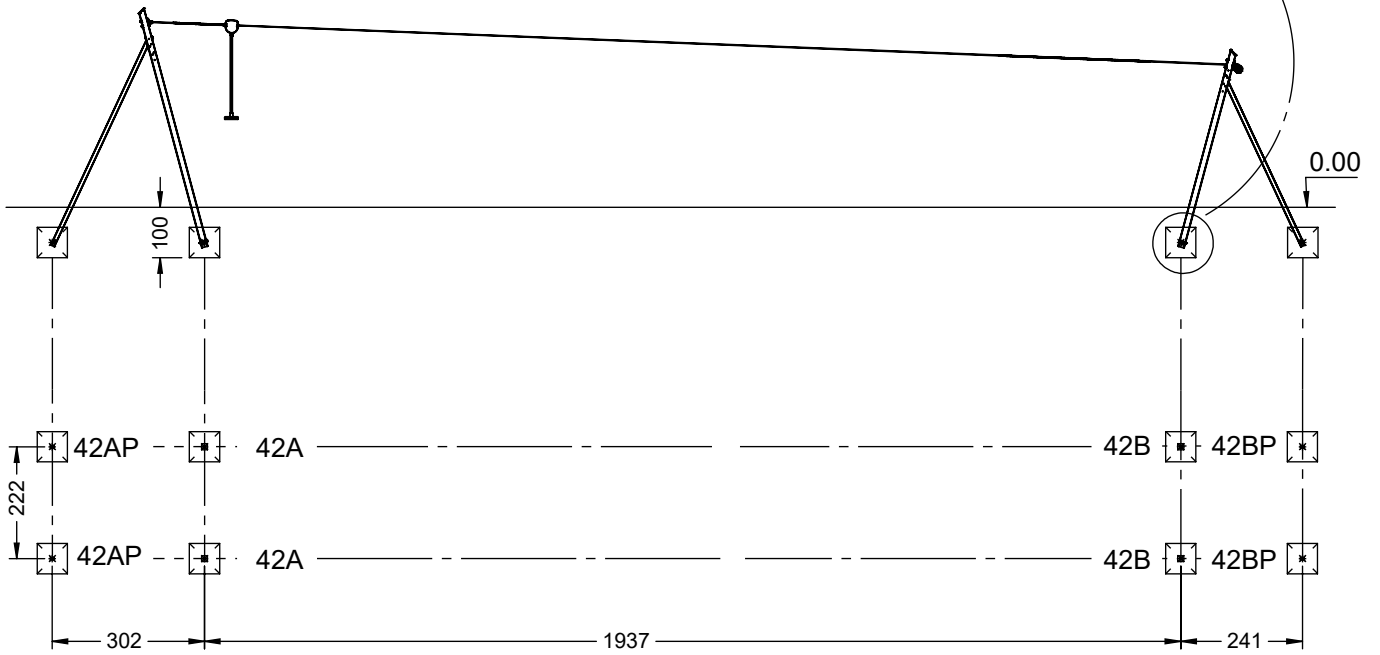
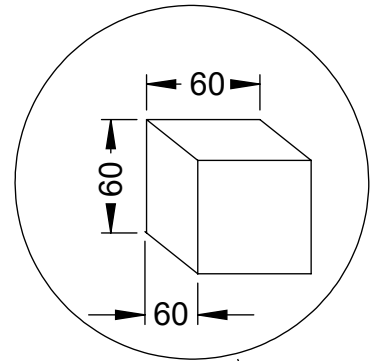
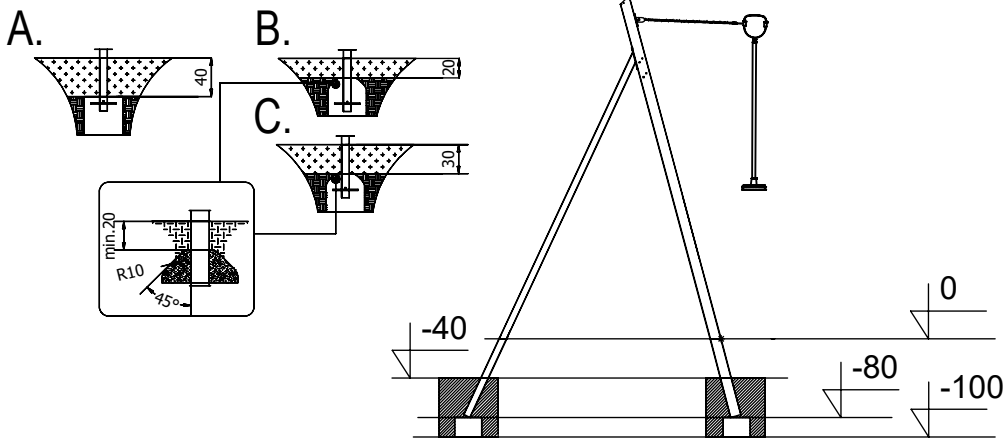


[cm]

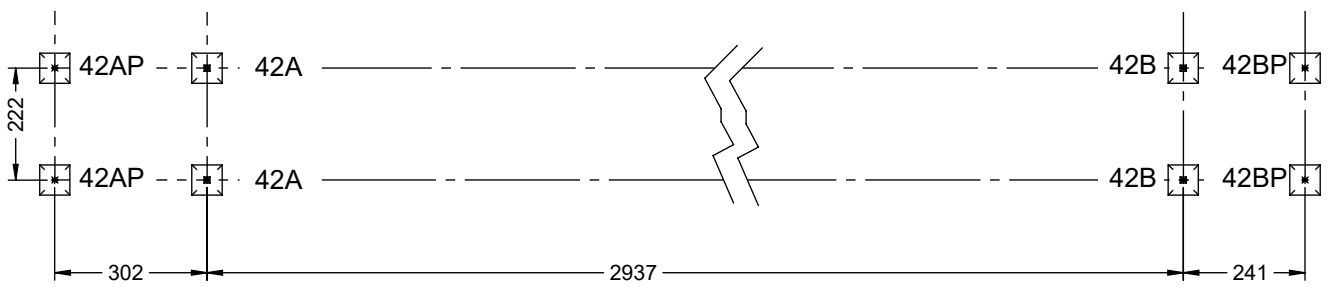


vinci
play

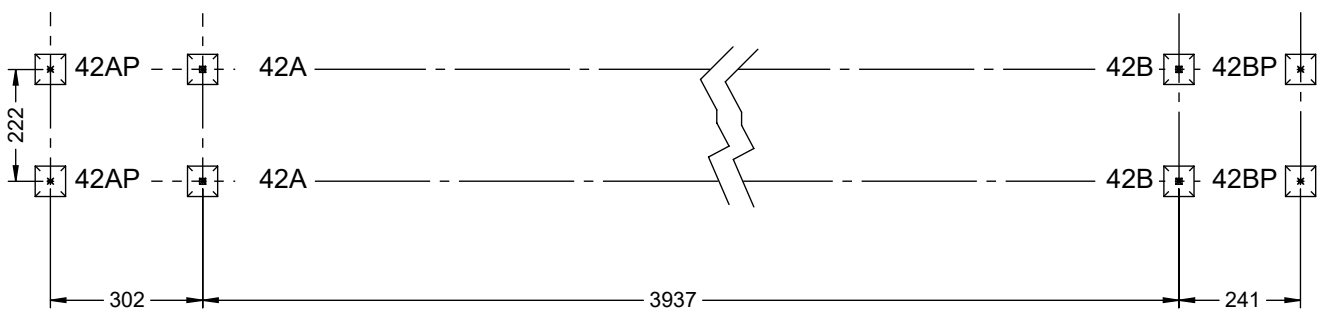
20 m



30 m



40 m



[cm]



vinci
play



420A
x2



042138
x2



420B
x2



042141
x2

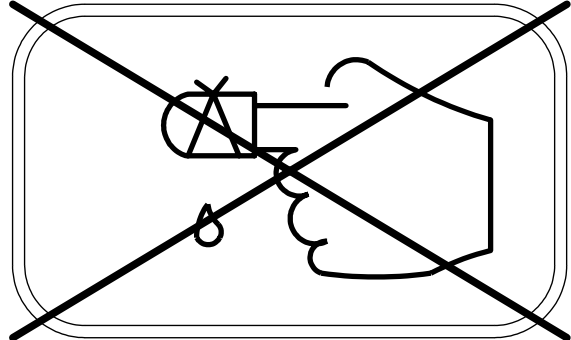
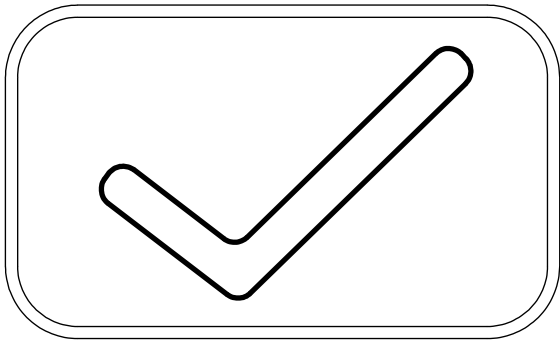
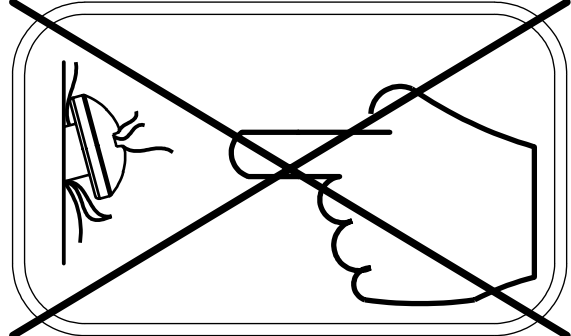
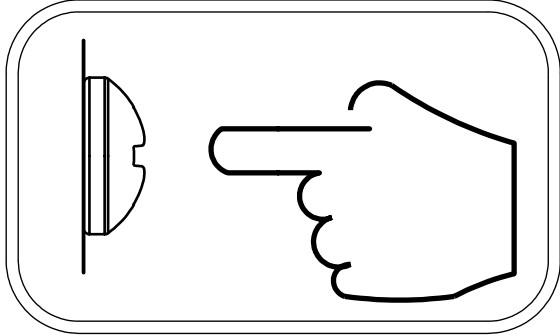
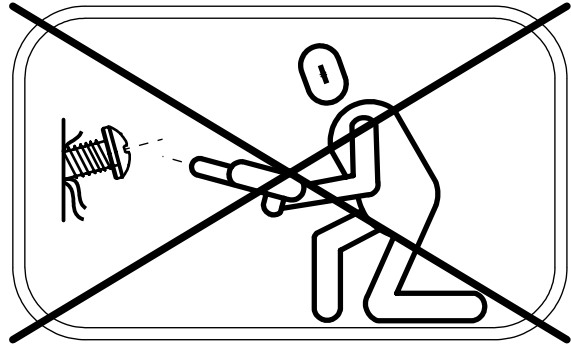
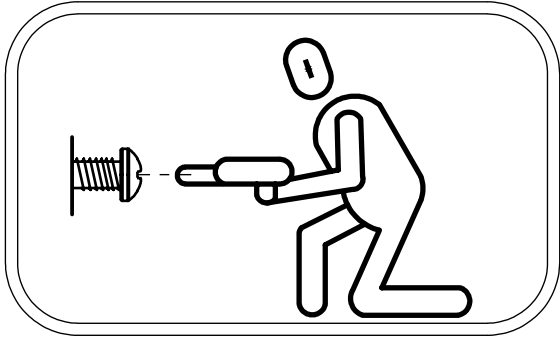


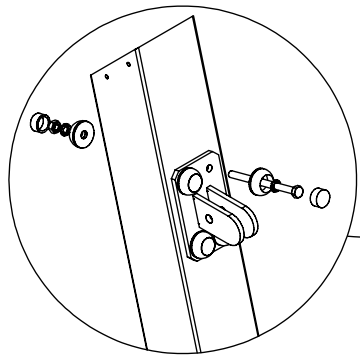
042139
x2



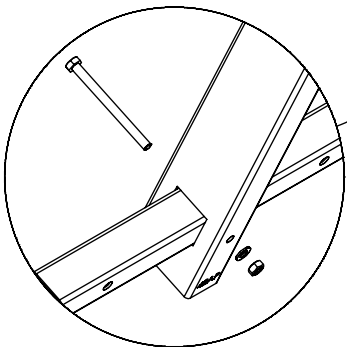
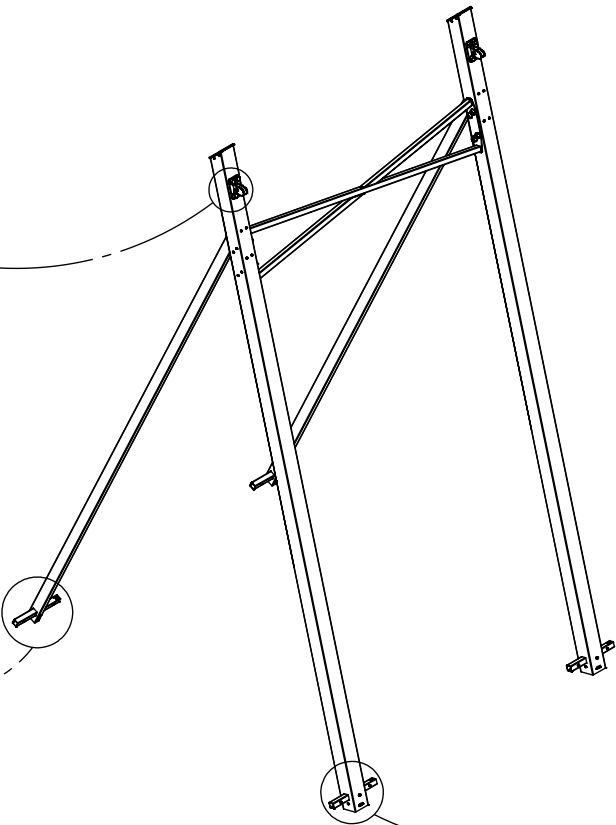
163109
x8

2x	E105
2x	E106
2x	E107
2x	E108
2x	E109
12x	E234
4x	E134
2x	E206(20 m)
2x	E207(30 m)
2x	E208(40 m)
2x	E209
2x	E210
2x	E211
2x	E212
2x	042178
2x	042177
2x	041134
2x	042145
2x	i219
2x	i158
1x	V002

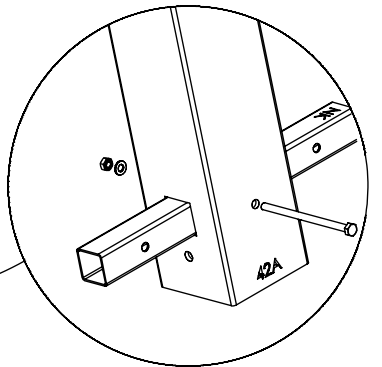




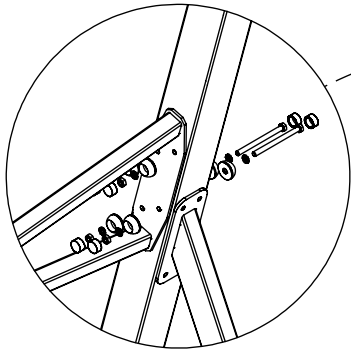
E234



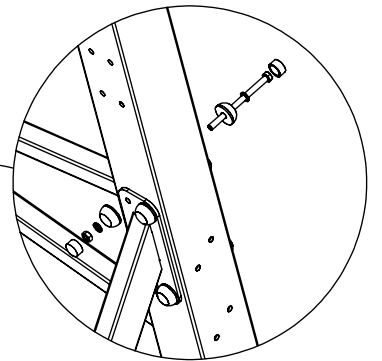
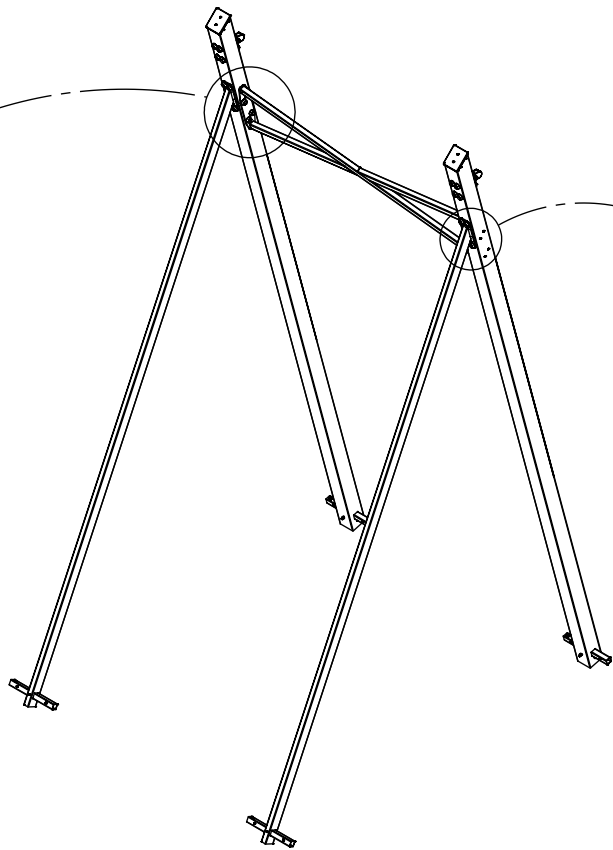
E109



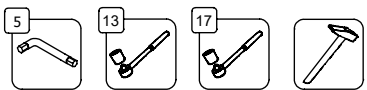
E105



E234

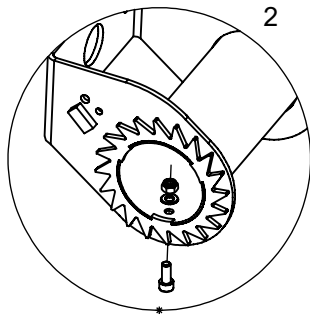
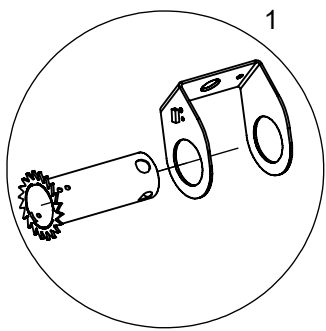


E234

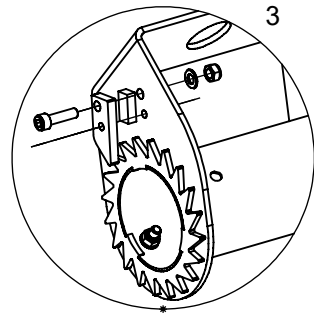


[cm]

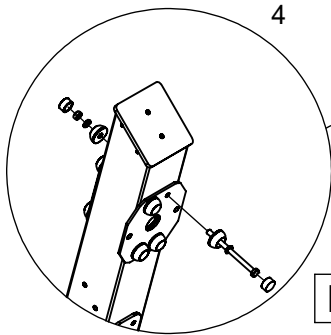
vinci play



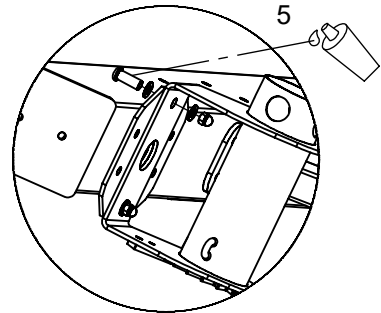
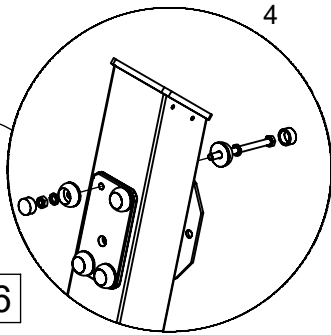
E107



E107



E106

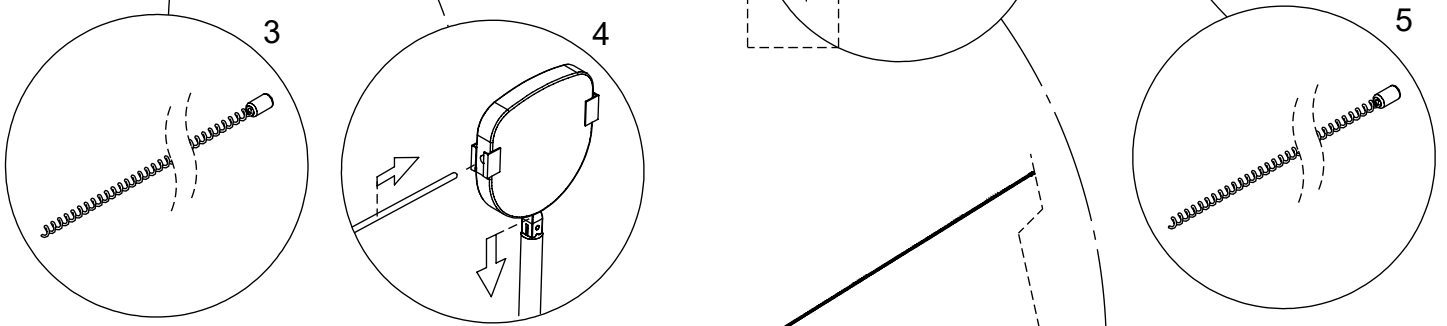
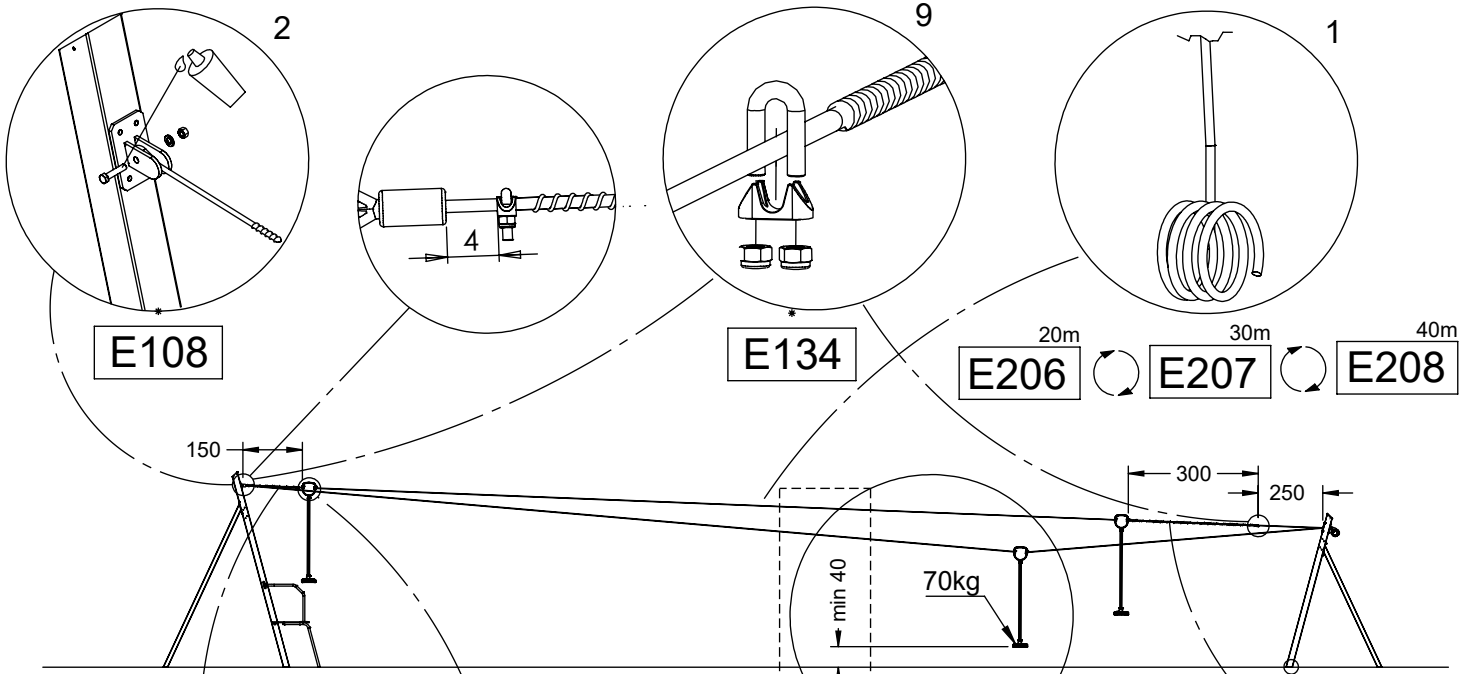


E106



[cm]

vinci
play

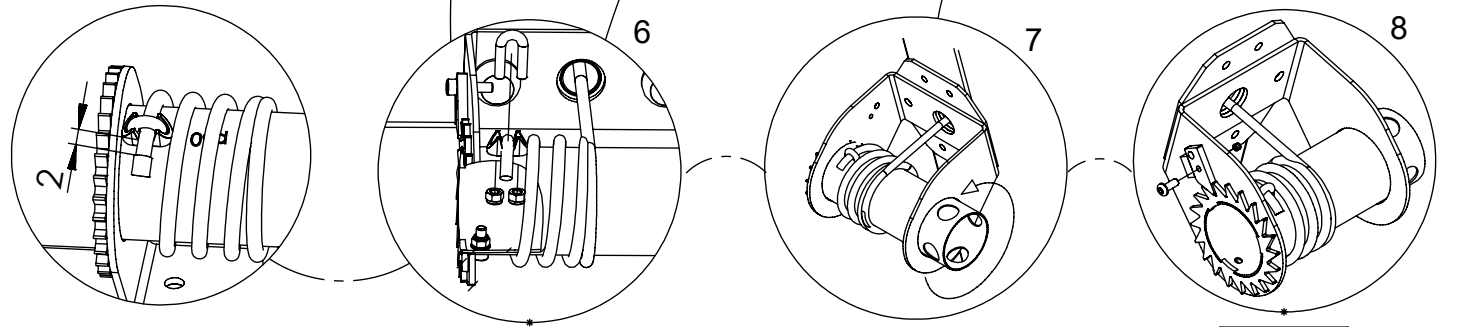
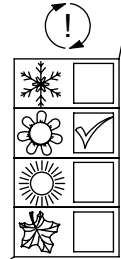
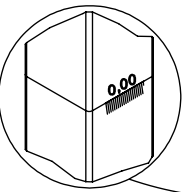


E209

E211
E212

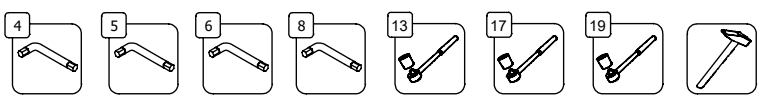
E210

48h



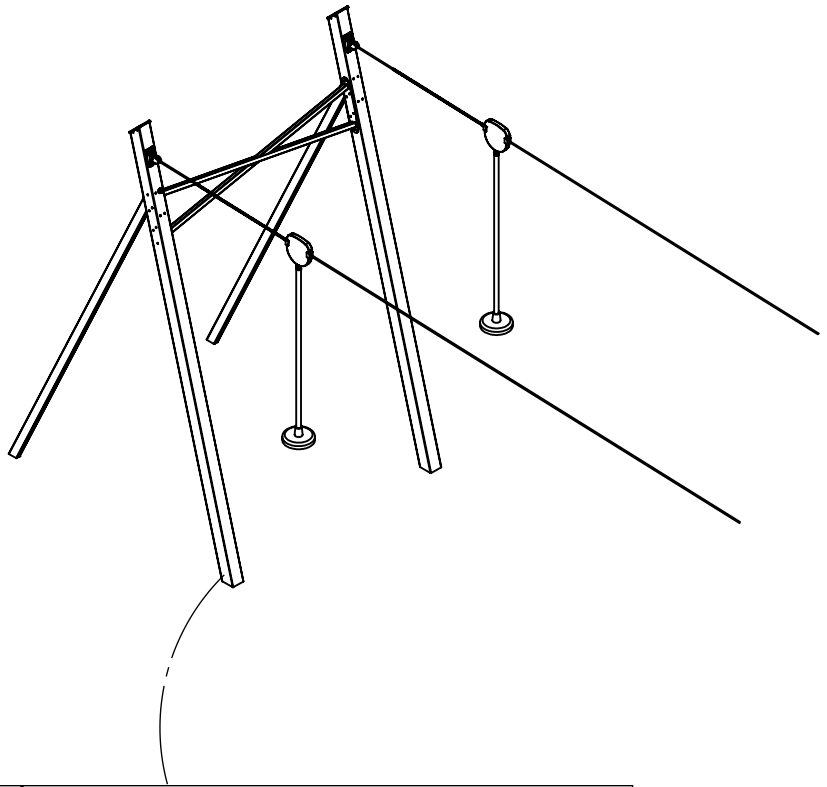
E107

E107



[cm]

vinci
play

A diagram illustrating the cleaning process. On the left is a spray bottle with a nozzle and the symbol "%00" on its body. An arrow points to a hand holding a cloth. A second arrow points to a rectangular label. The label contains the following text:

vinci
play
Art. No
Year
202
Vinci Group Sp. z o.o.
Pogoda, ul. Miłobancka 6
05-810 Miłobancko
POLAND
+48 42 202 54 99
www.vinci-play.com
www.babycom.pl

Below the label is a box containing the text "V002".

Part No:
000000-
00000

A barcode with the number "000000-00000" printed below it. A sticker is shown being applied to the right side of the barcode area.

000000-00000

