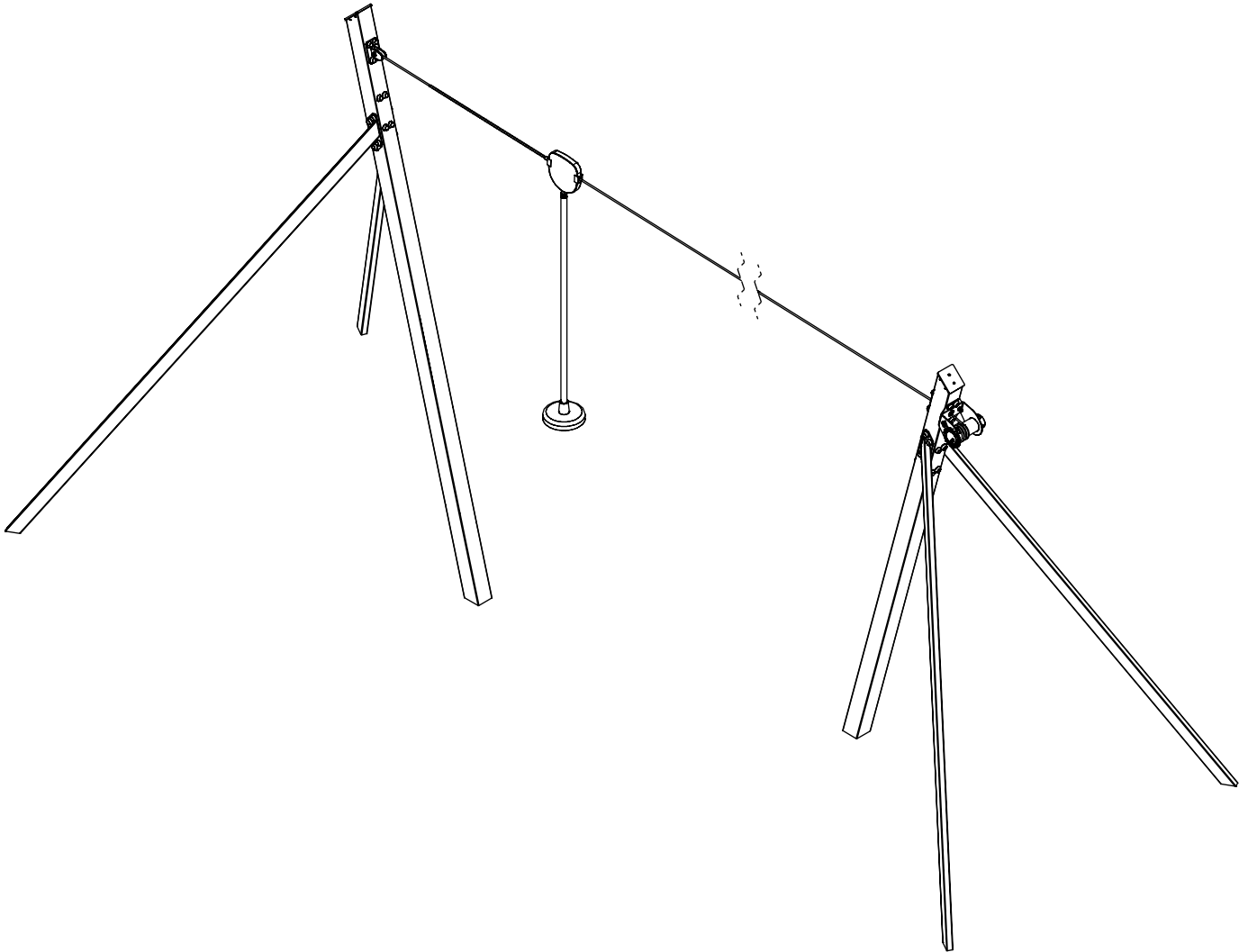
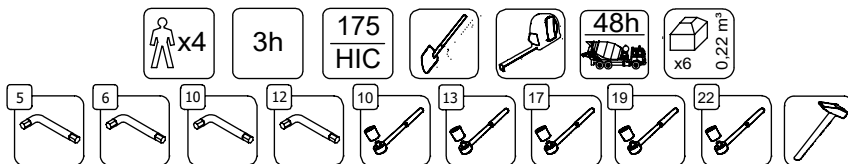


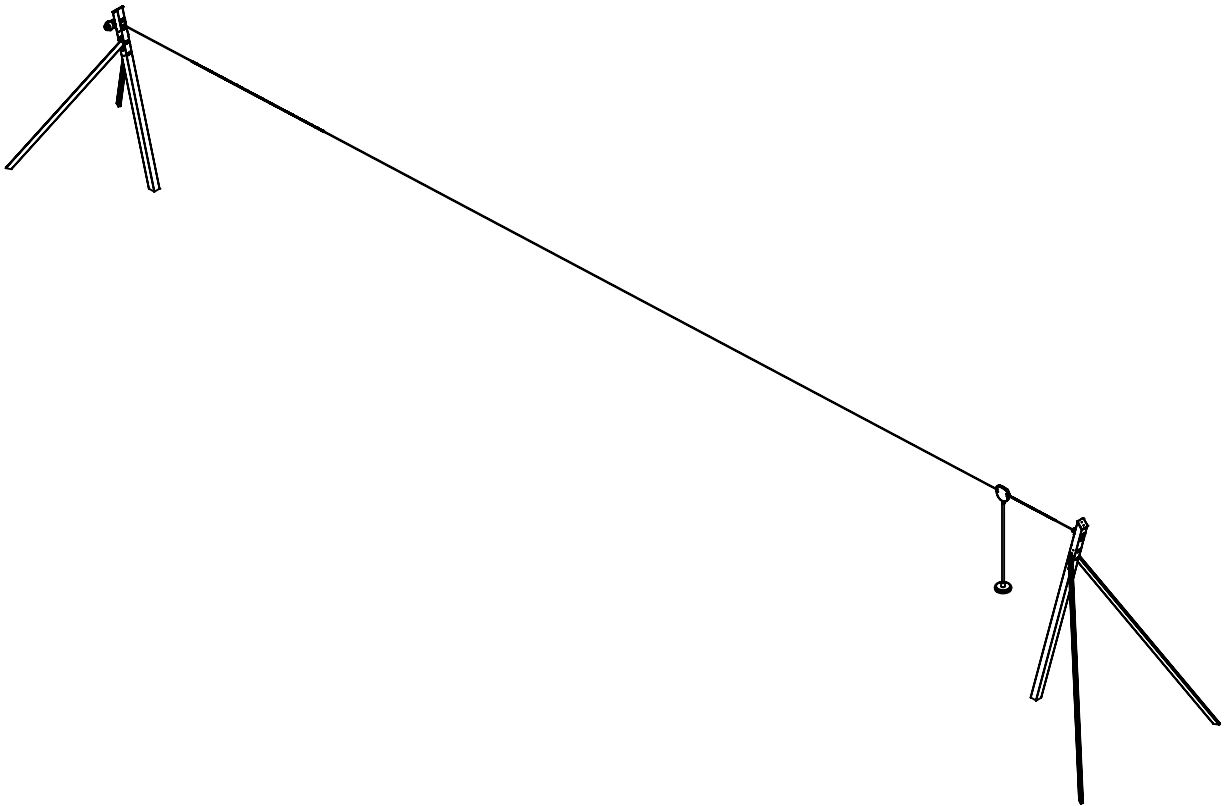
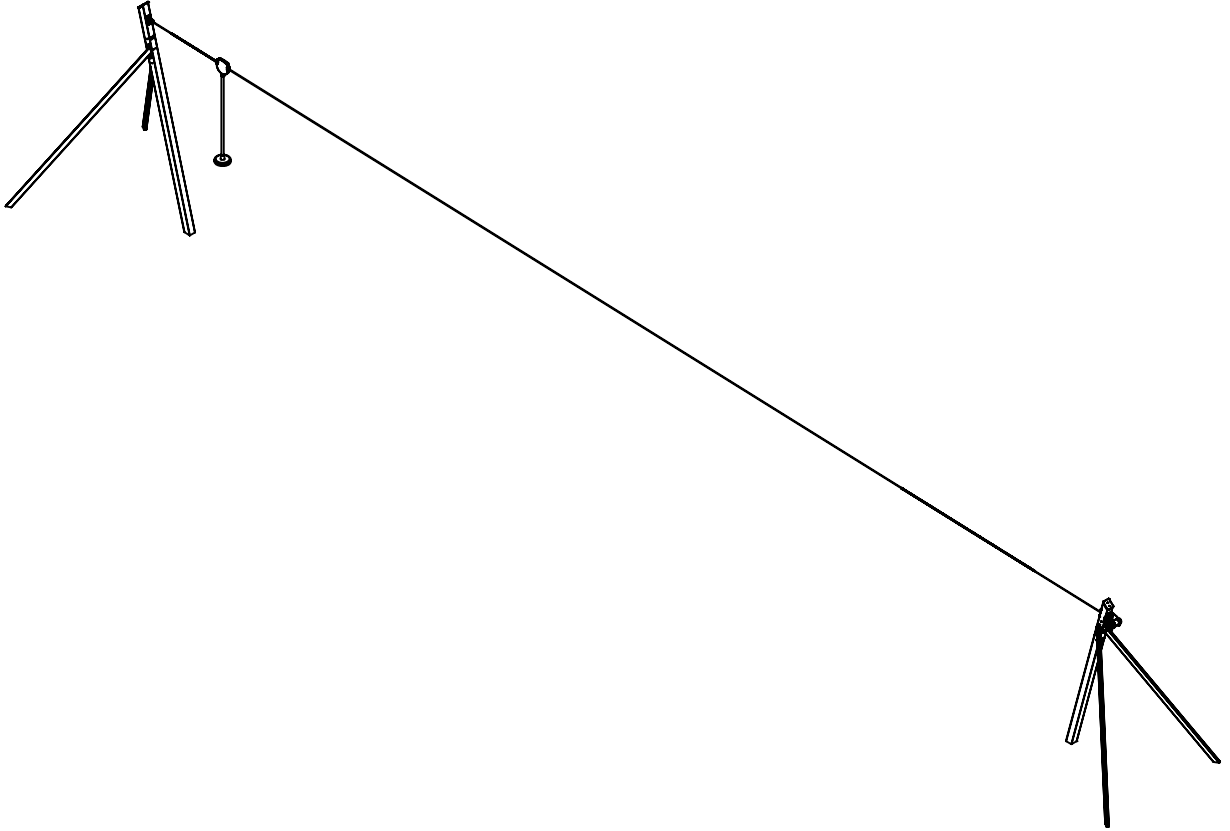
# 0420H



v010  
05.12.2023  
A. D.  
[cm]

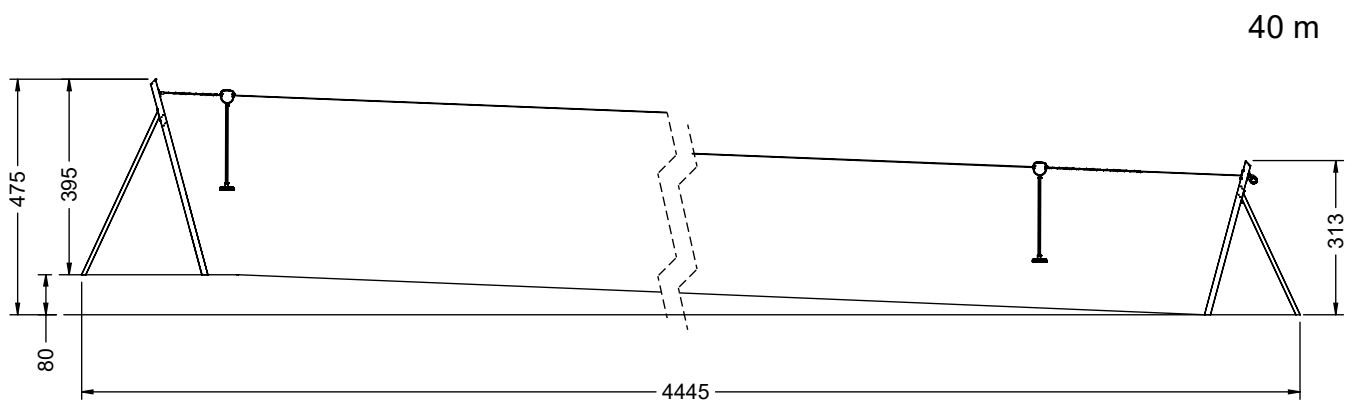
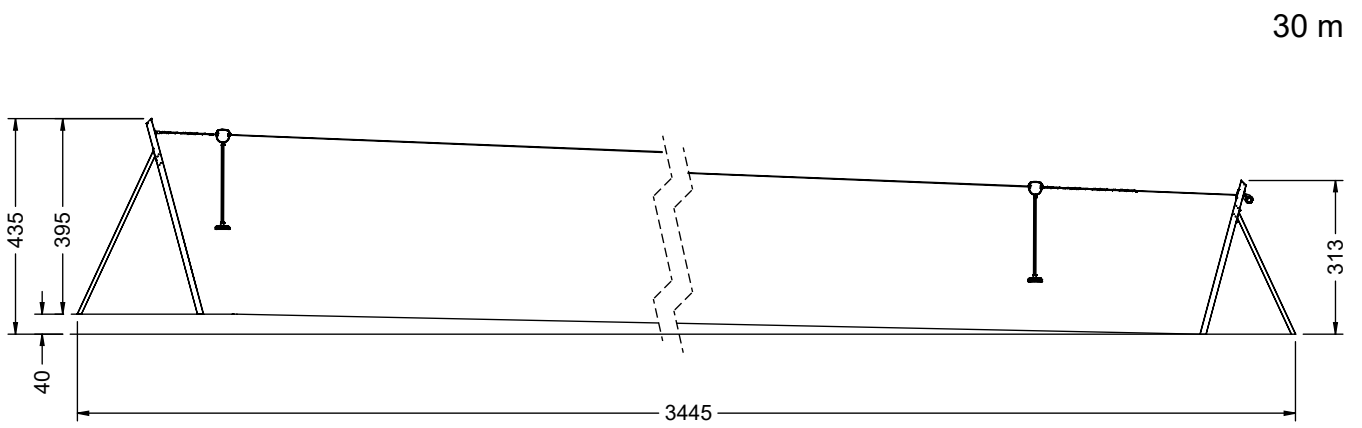
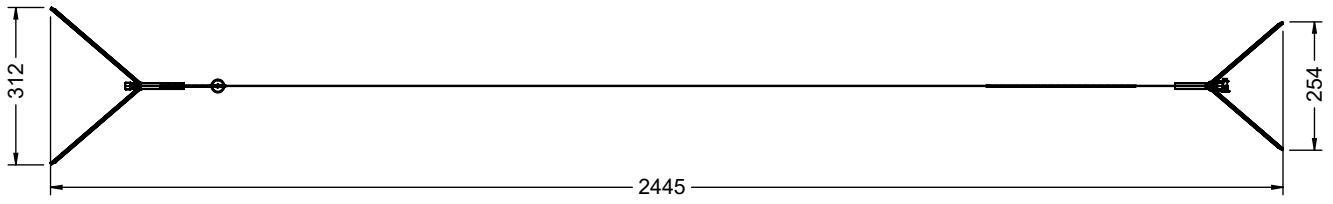
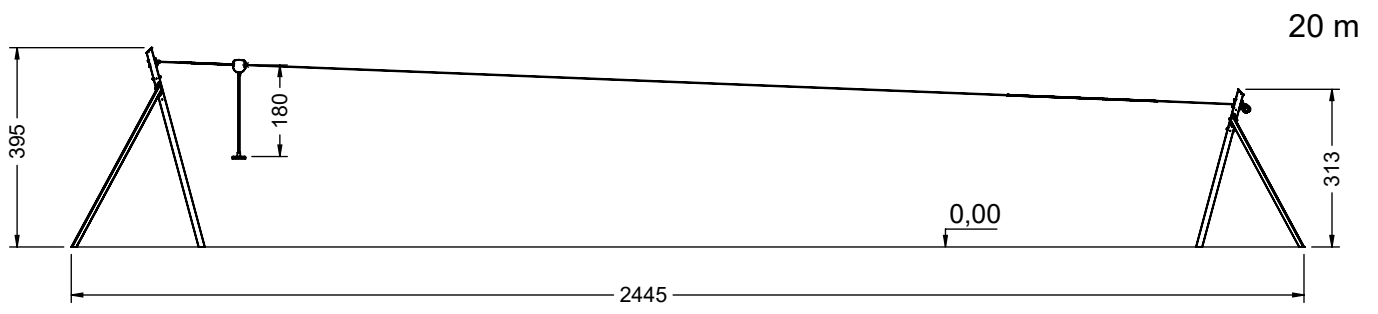


vinci  
play



[cm]

vinci  
play

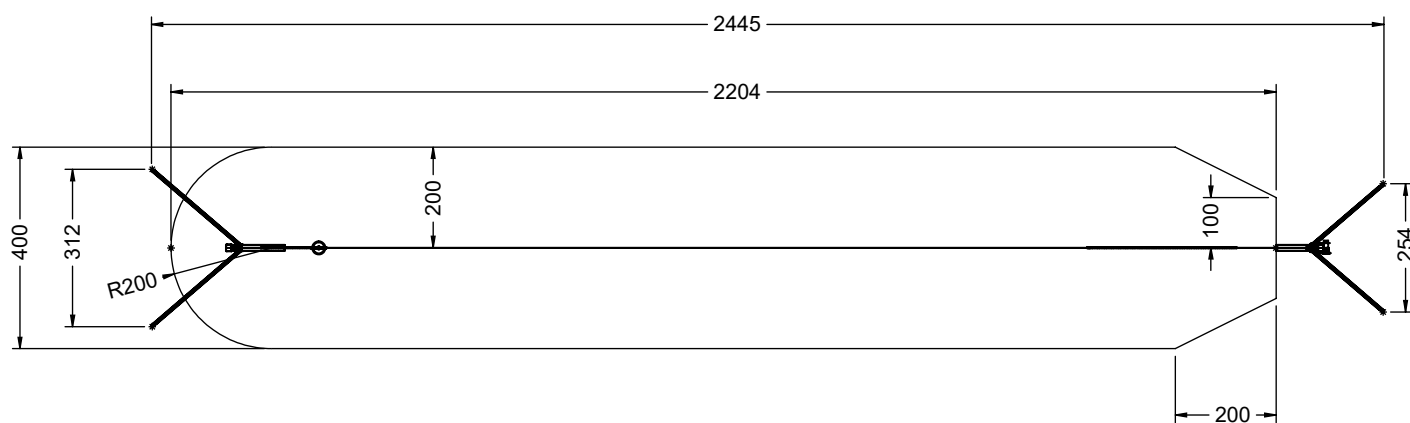


[cm]



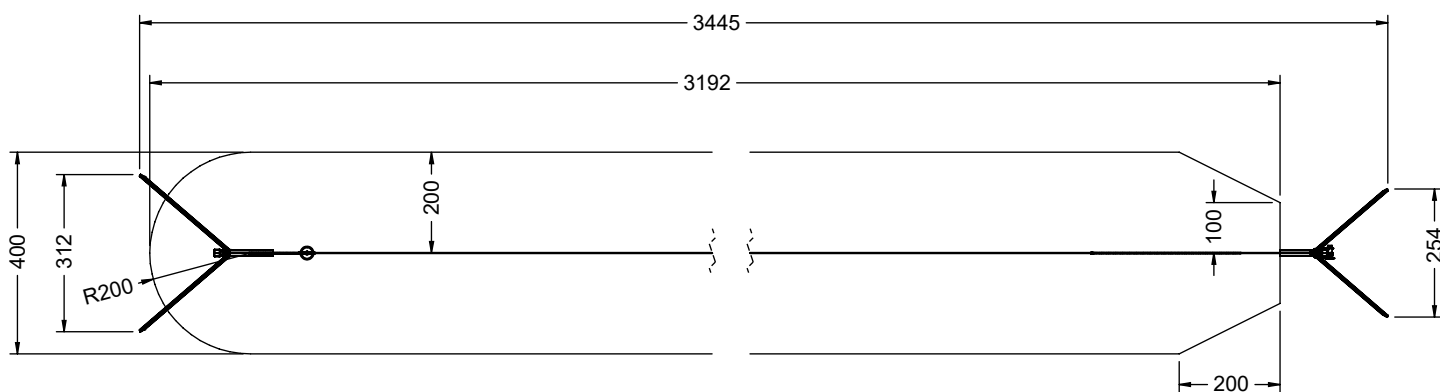
vinci  
play

20 m



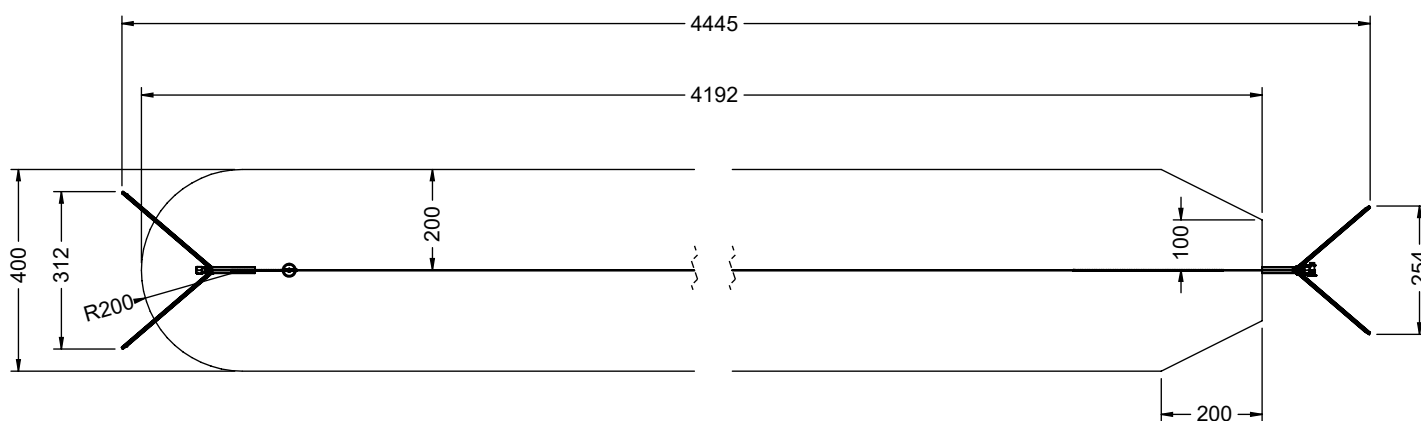
S=84,4 m<sup>2</sup>

30 m



S=124,0 m<sup>2</sup>

40 m



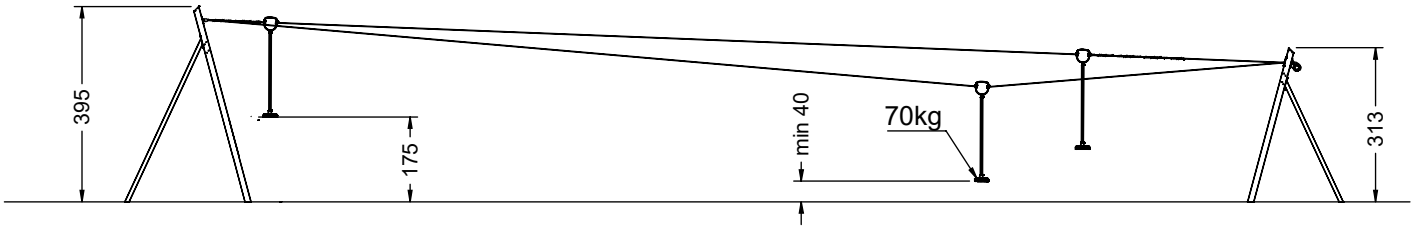
S=164,0 m<sup>2</sup>

[cm]

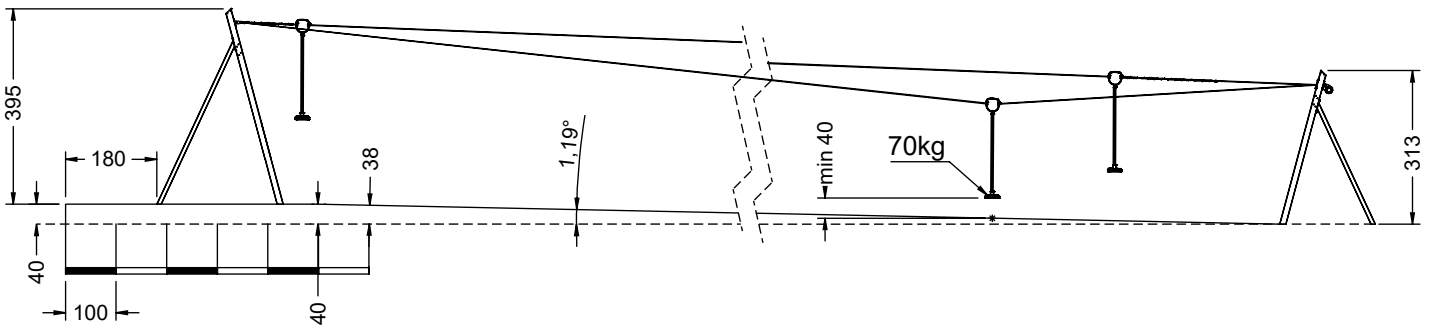


vinci  
play

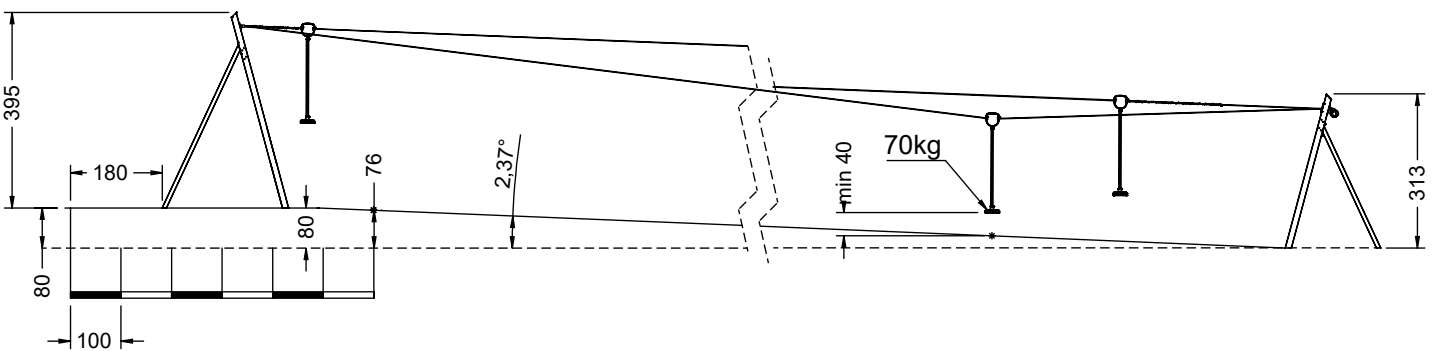
20m



30m



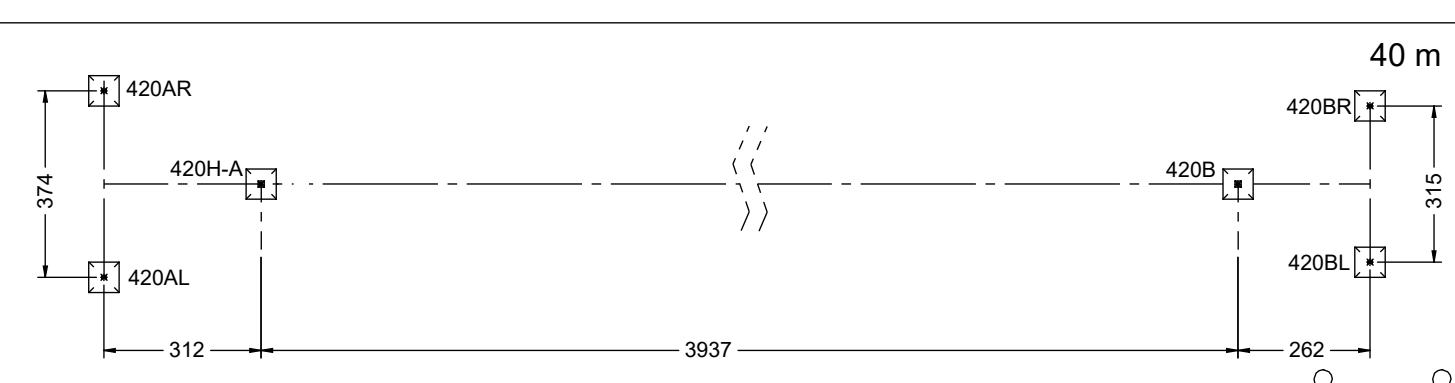
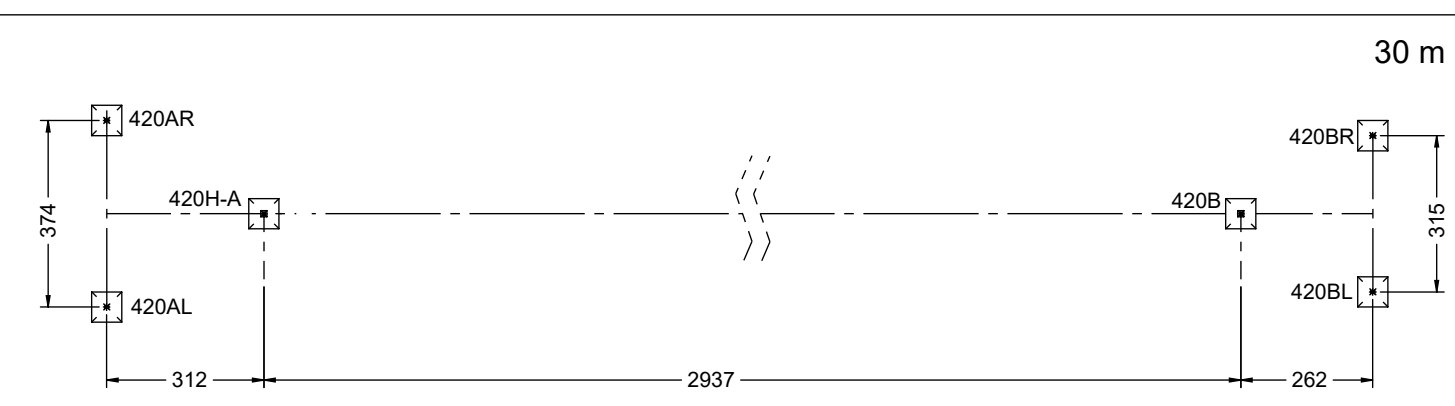
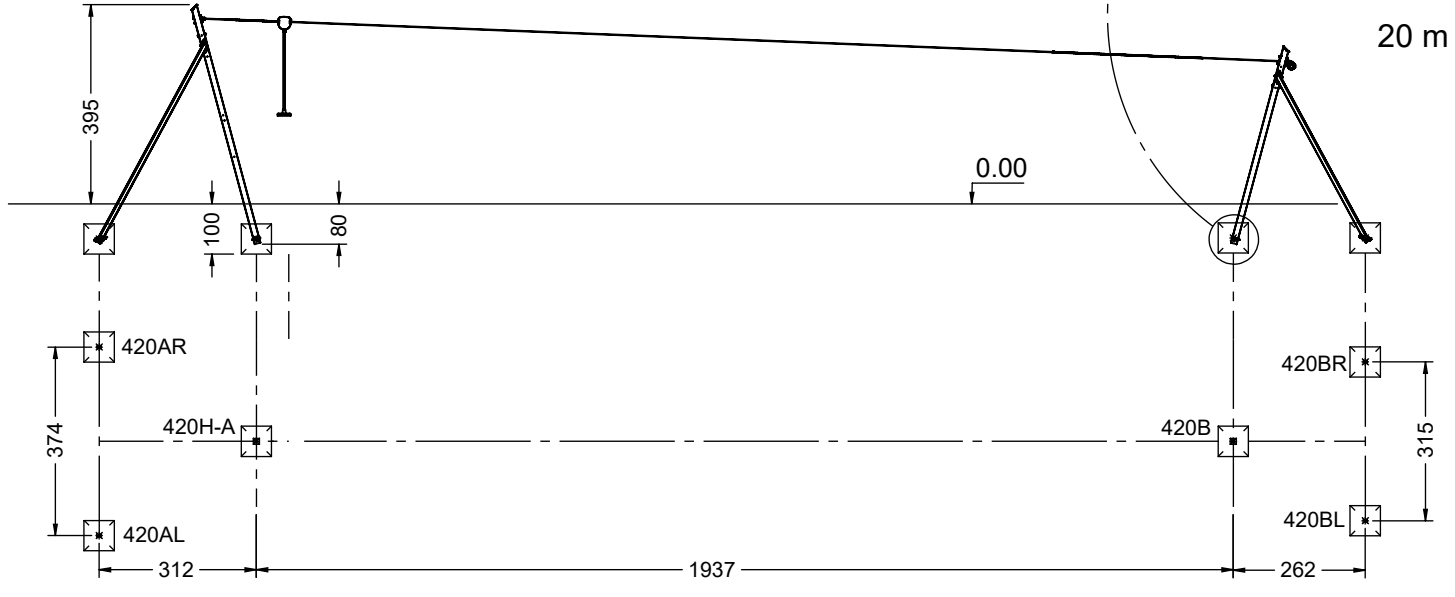
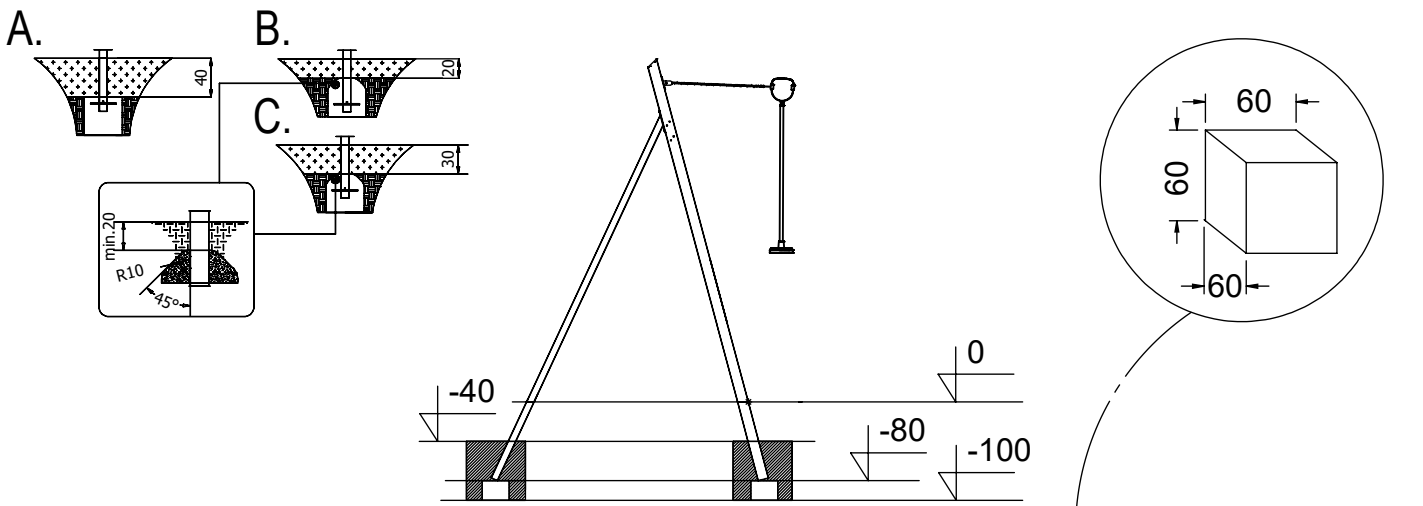
40m



[cm]



vinci  
play





420H-A  
x1



420B  
x1



042160  
x1



042161  
x1



042158  
x1



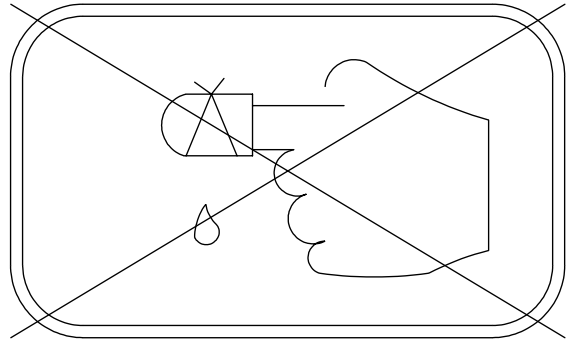
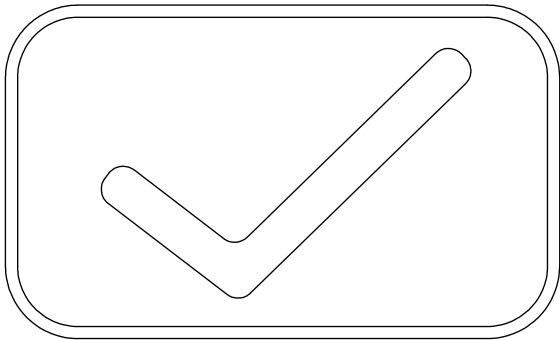
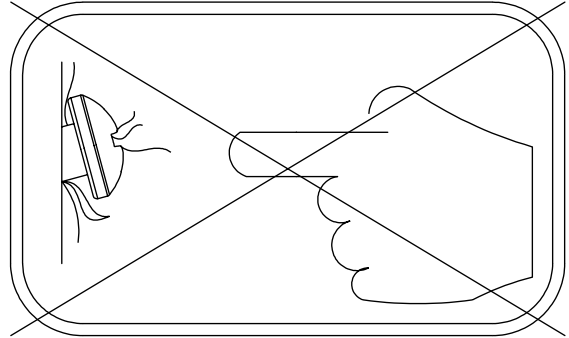
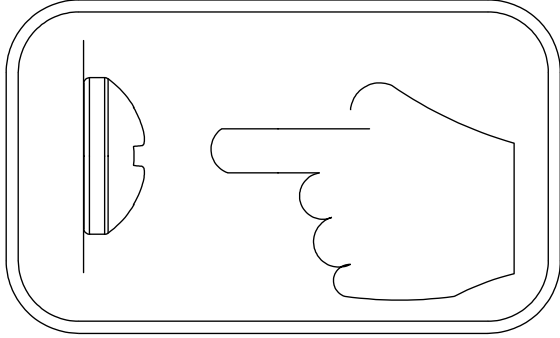
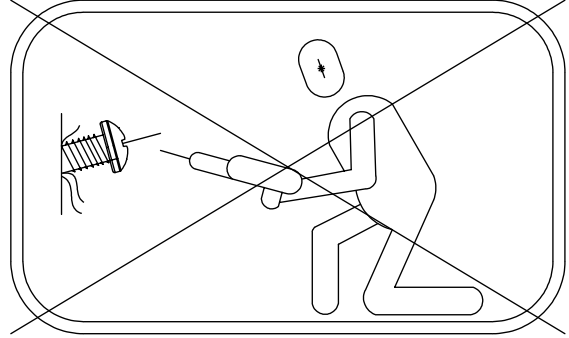
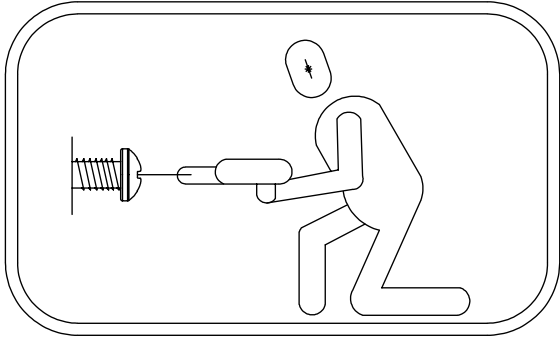
042159  
x1



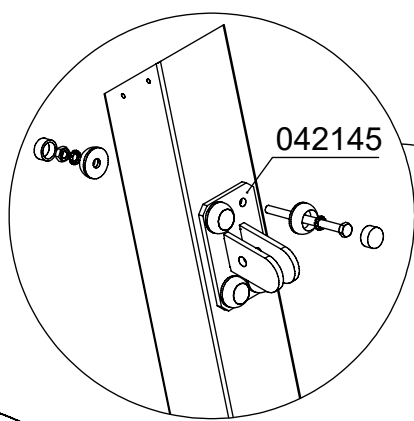
163109  
x6

**ST/INOX**

1x	E101
1x	E105
1x	E106
1x	E107
1x	E108
2x	E109
2x	E110
3x	E234
2x	E134
1x	E206 <sub>(20m)</sub>
1x	E207 <sub>(30m)</sub>
1x	E208 <sub>(40m)</sub>
1x	E209
1x	E210
1x	E211
1x	E212
1x	042178
1x	042177
1x	042145
1x	041134
1x	i219
1x	i158
1x	V002

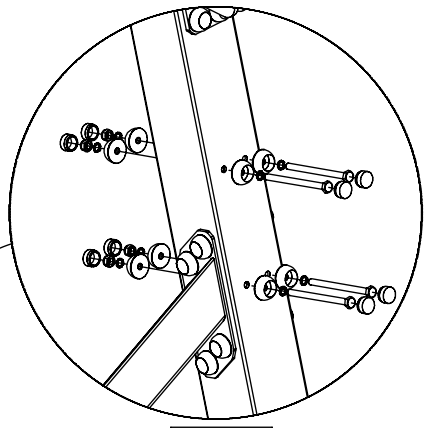




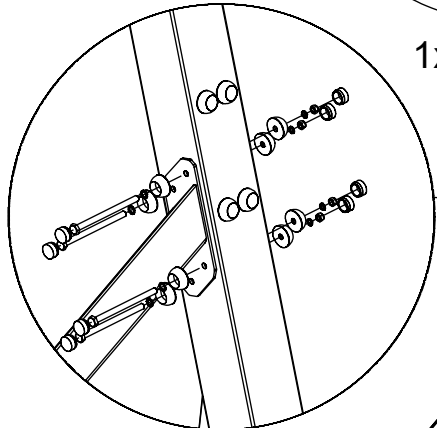


042145

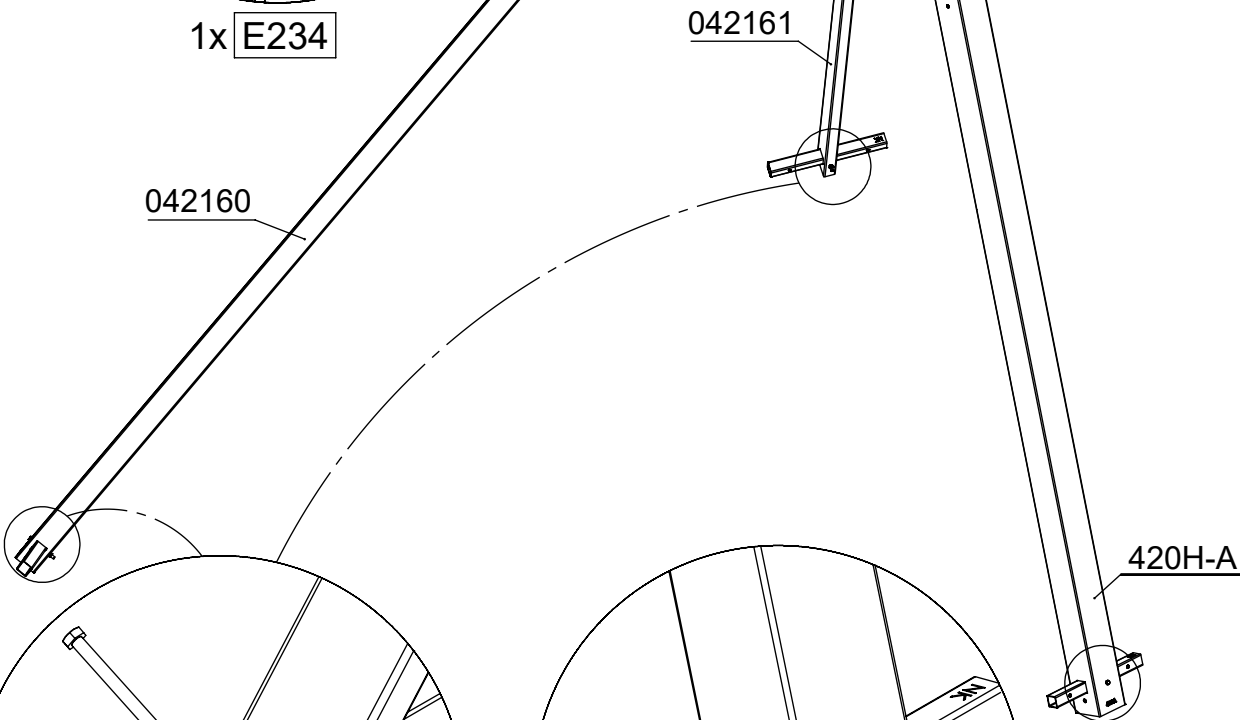
1x E234



1x E110



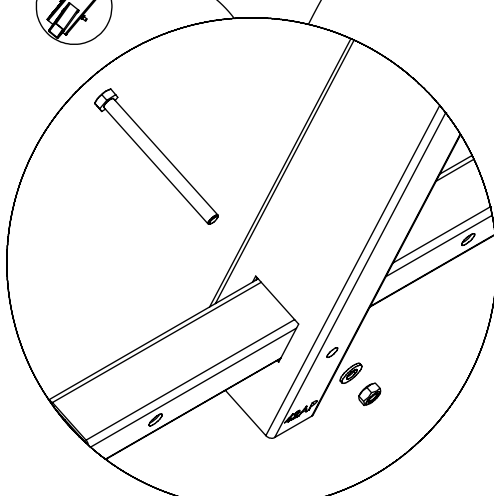
1x E234



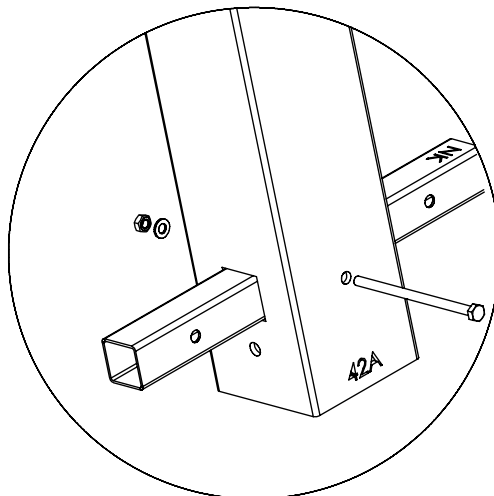
042160

042161

420H-A



1x E109

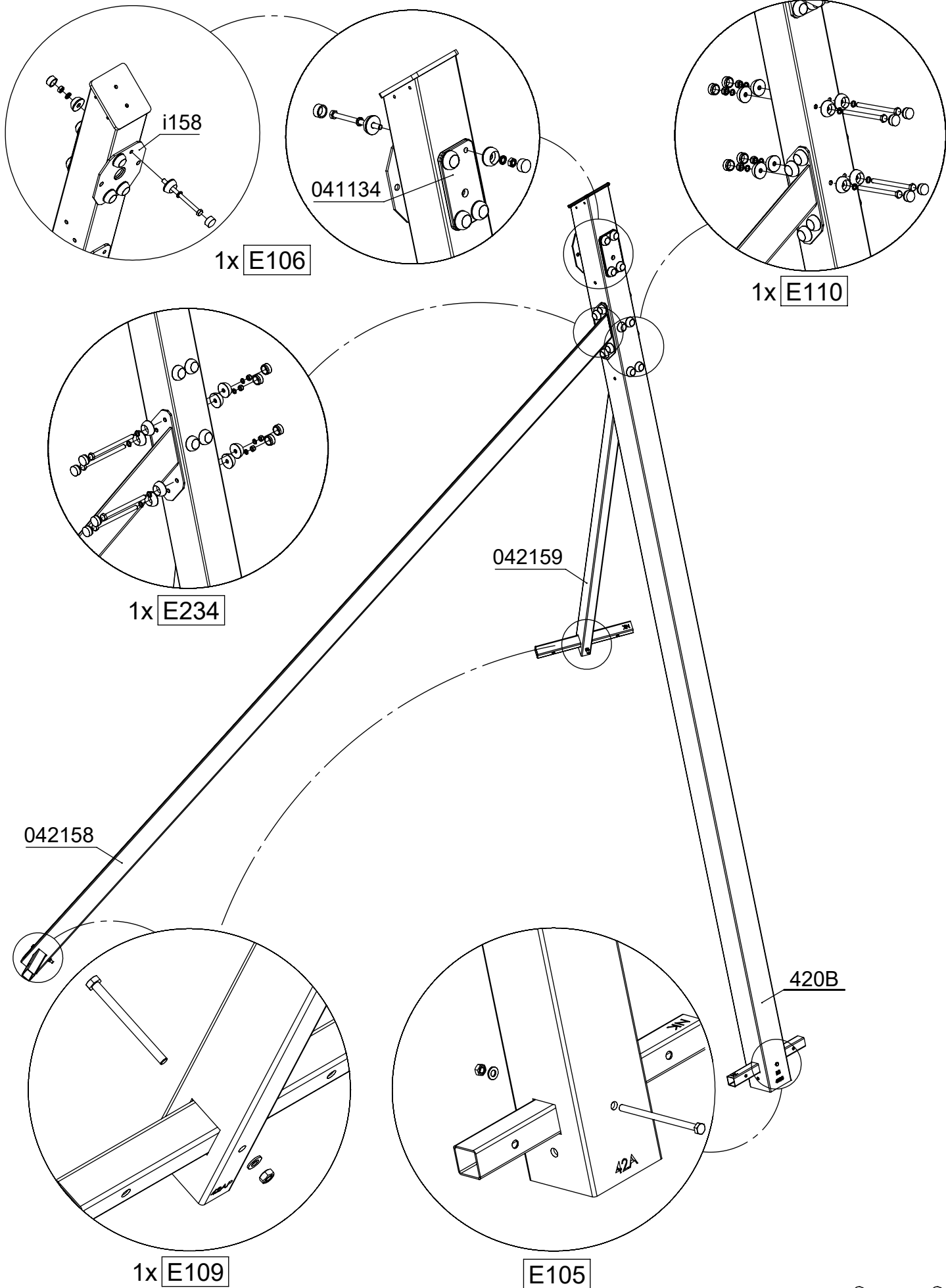


1x E105

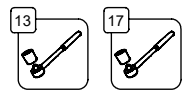


vinci play

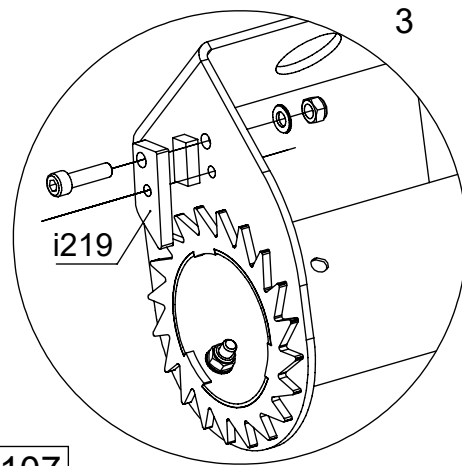
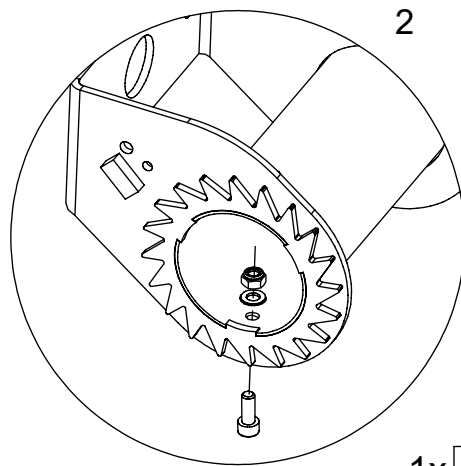
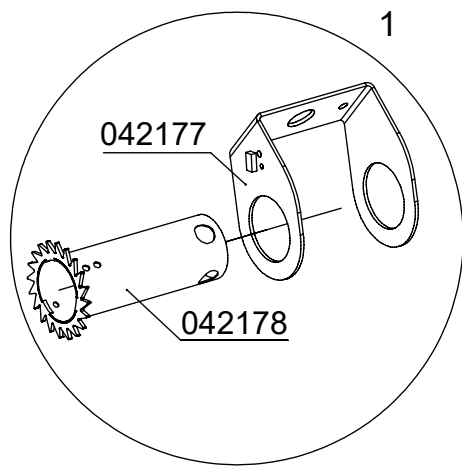
[cm]



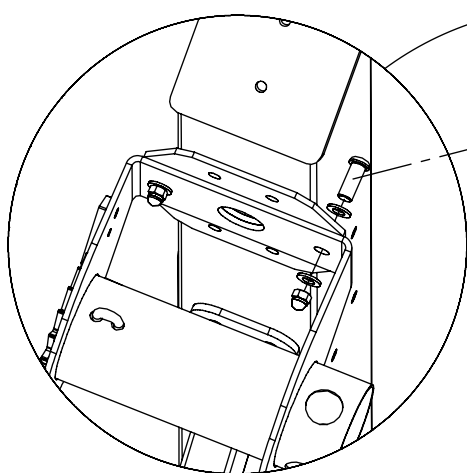
[cm]



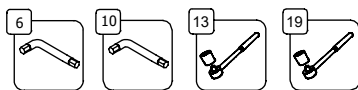
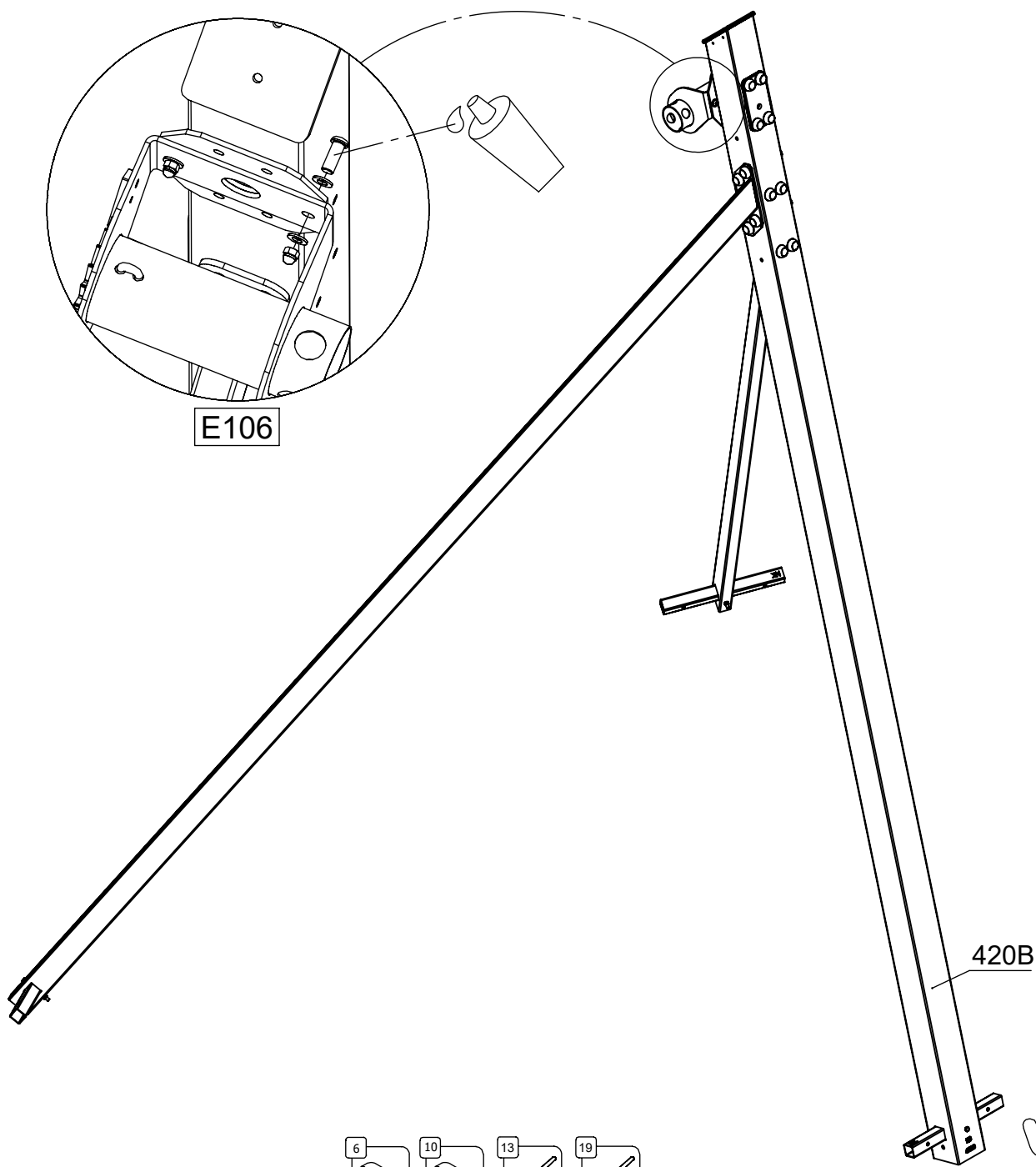
vinci  
play



1x E107

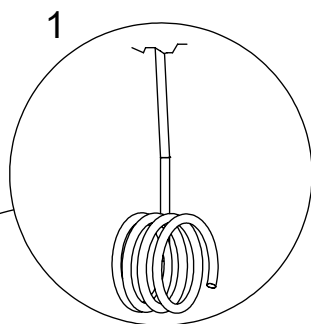
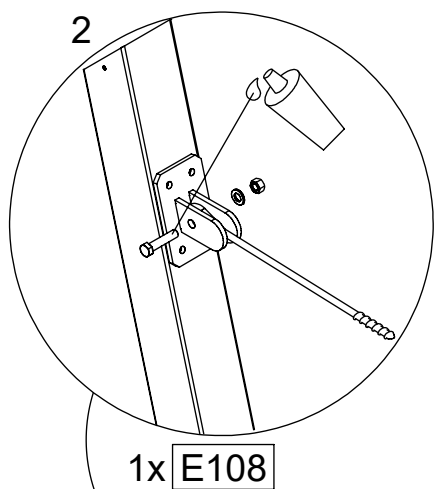


E106

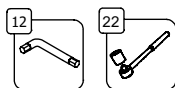
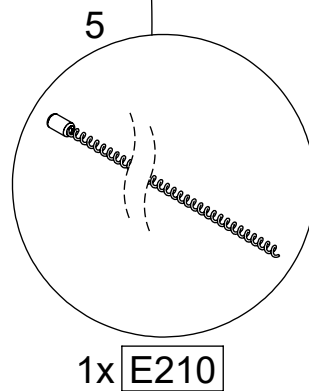
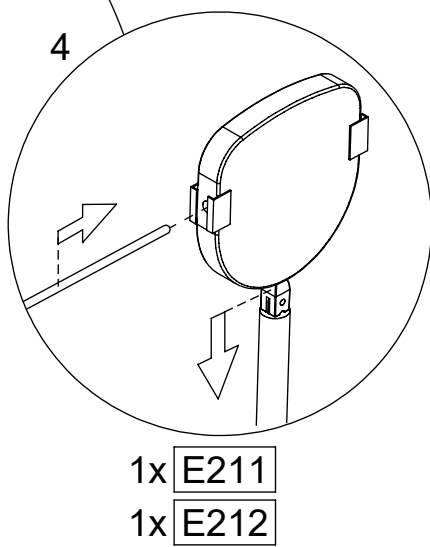
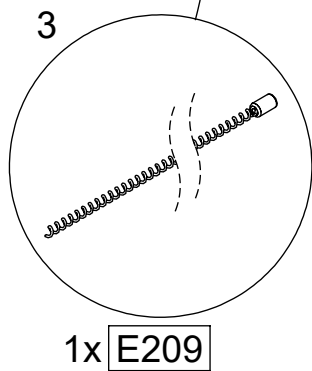
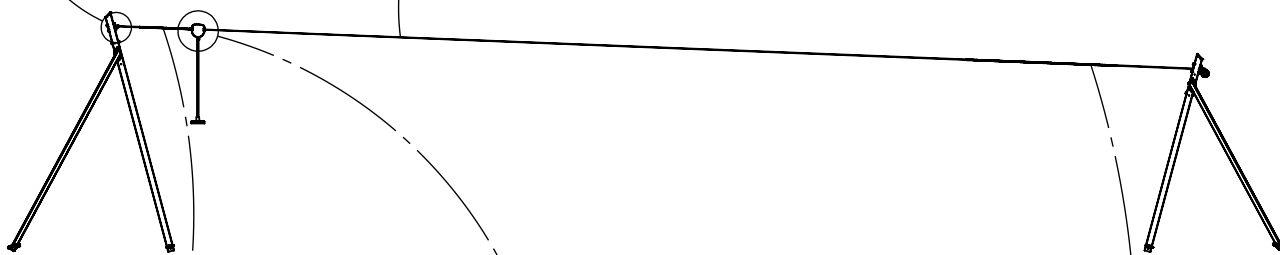


[cm]

vinci  
play



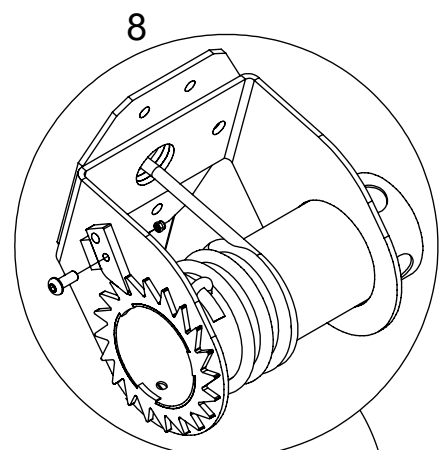
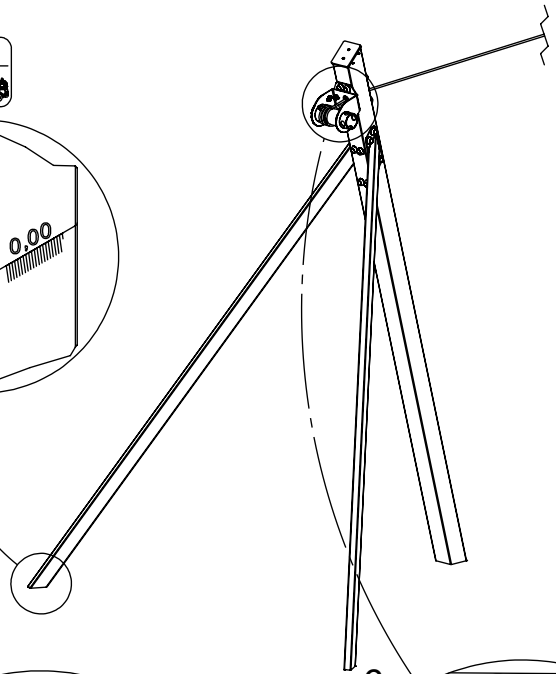
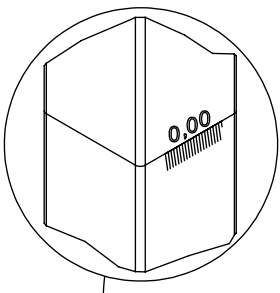
1x E206 <sup>20m</sup> 1x E207 <sup>30m</sup> 1x E208 <sup>40m</sup>



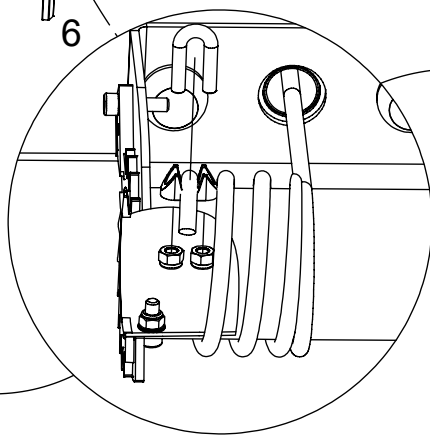
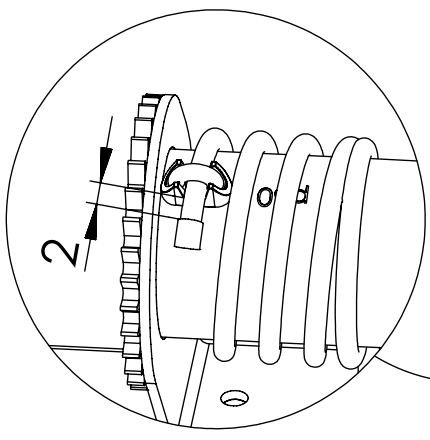
[cm]

vinci  
play

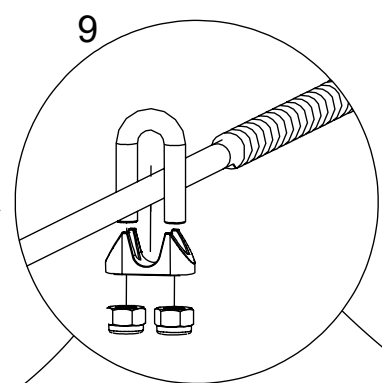
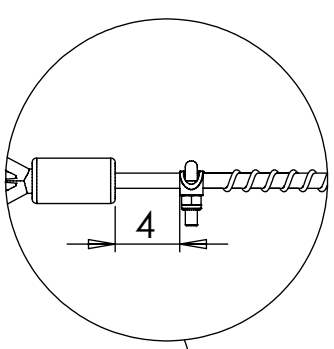
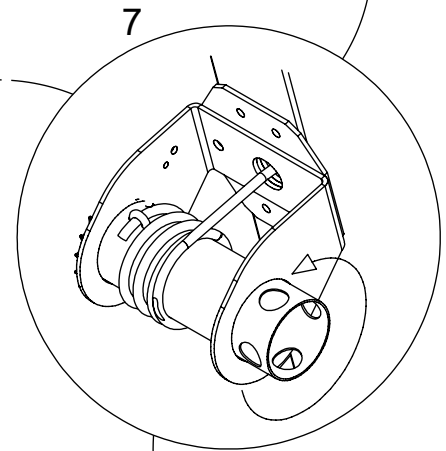
48h



E107



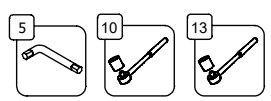
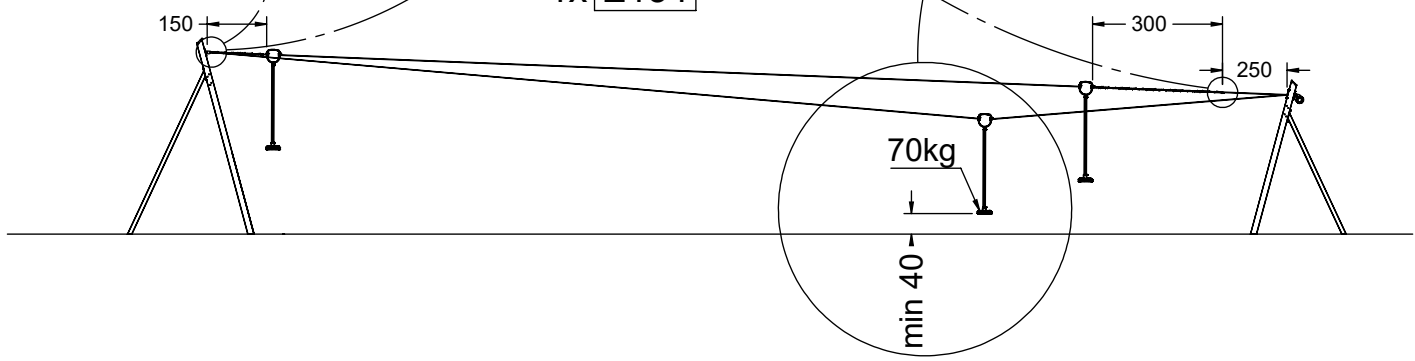
E107



1x E134

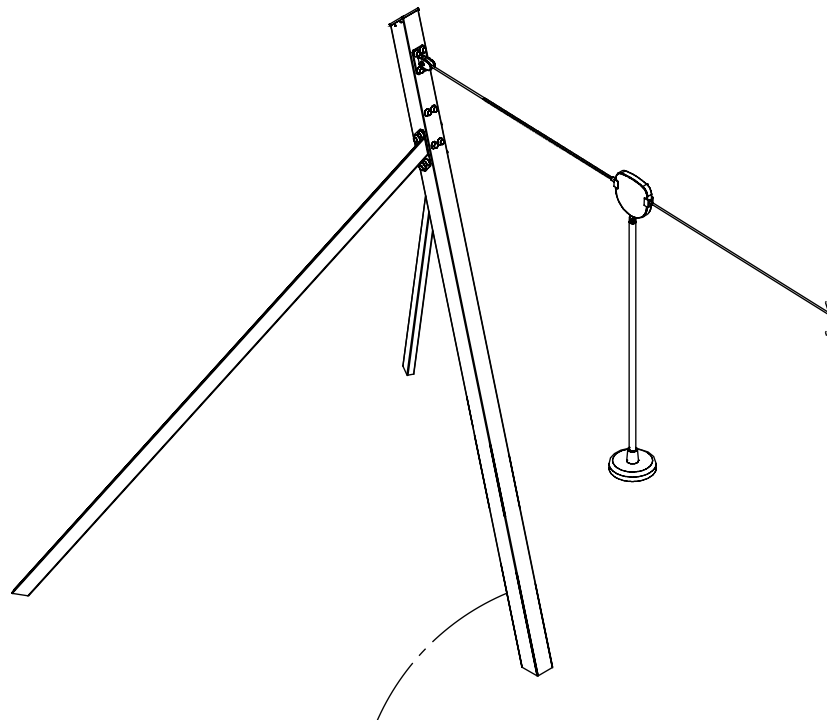
!

	<input type="checkbox"/>
	<input checked="" type="checkbox"/>
	<input type="checkbox"/>
	<input type="checkbox"/>



[cm]

vinci play

A diagram showing the cleaning and disinfection process. On the left is a spray bottle with a nozzle and the text "%00" on it. An arrow points to a hand being wiped with a cloth. Another arrow points to a rectangular label with the following text:

vinci  
play  
Art. Nr  
Year  
202  
Vinci Group Sp. z o.o.  
Pogodny ul. Kółkowska 8  
05-816 Mińsk Mazowiecki  
POLAND  
+48 42 209 24 00  
www.vinci-play.com  
www.halys.com.pl

Below the label is a box containing the text "V002".

Part No:  
000000-  
00000

000000-00000

A diagram showing a rectangular label with a barcode and the part number "000000-00000". A dashed line indicates the label is being peeled off a surface.