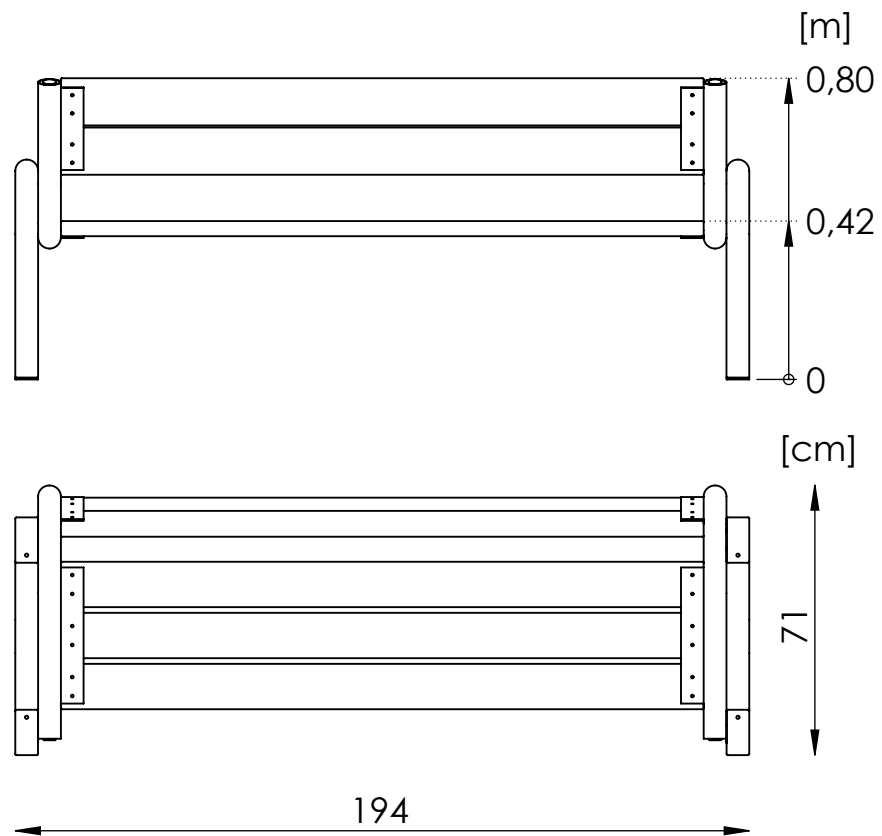


# Product Datasheet

## Park Bench DLP02



### Materials used:

- structure of the bench legs made of steel pipes  $\varnothing 60$  mm and a flat bar 6x60 mm, powder coated
- backrest and bench seat made of boards with a section of 45 mm, pressure impregnated
- fasteners, hardened galvanized screws

### Assembly:

The set is mounted in the ground using hot-dip galvanized steel anchors.  
Foundations made of C20/25 class concrete.