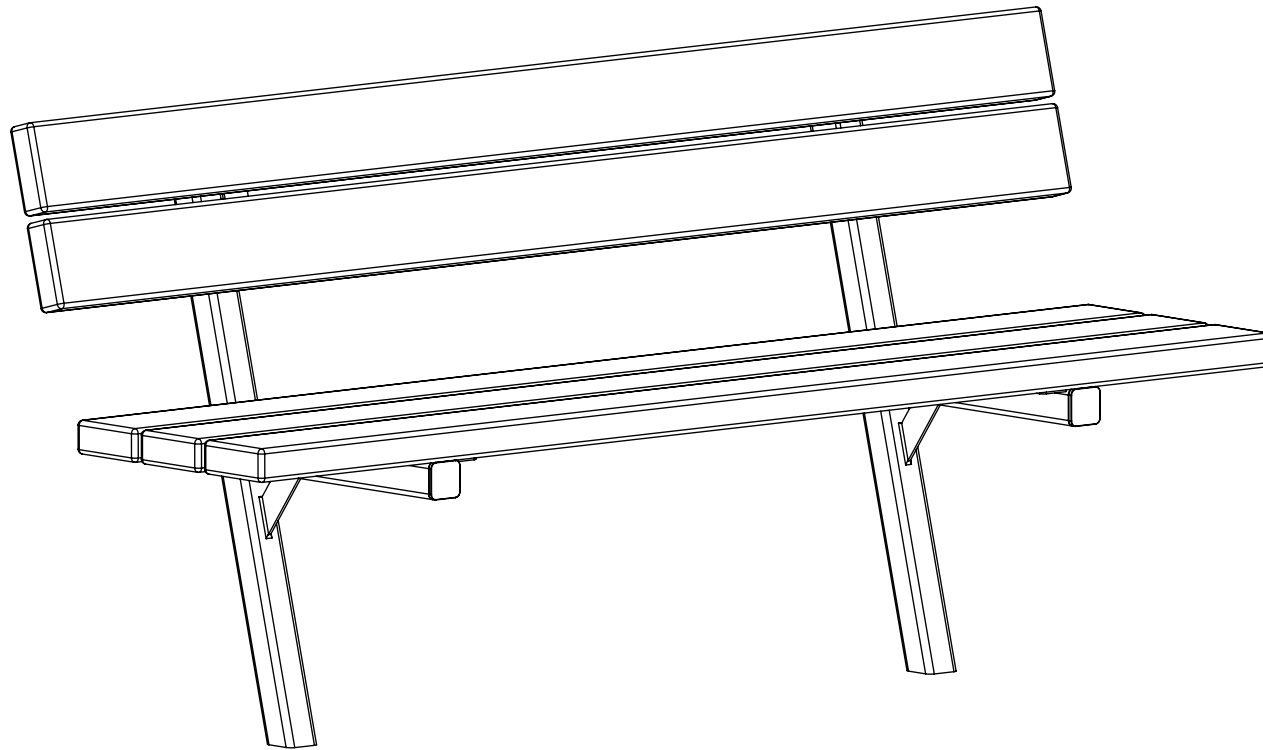


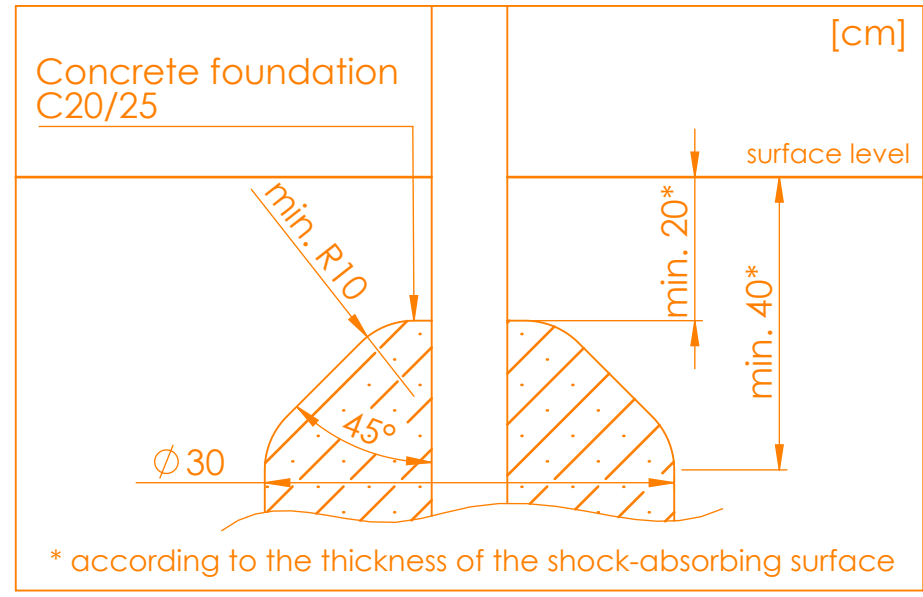
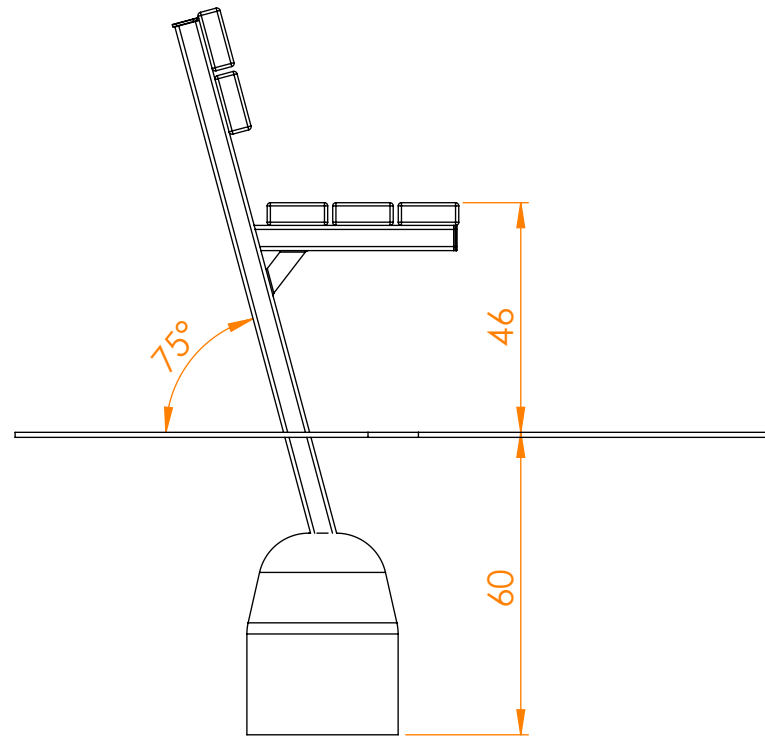
DLP03 - installation instruction



Arrangement of mounting holes

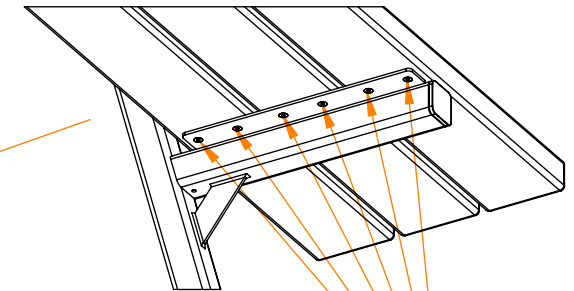
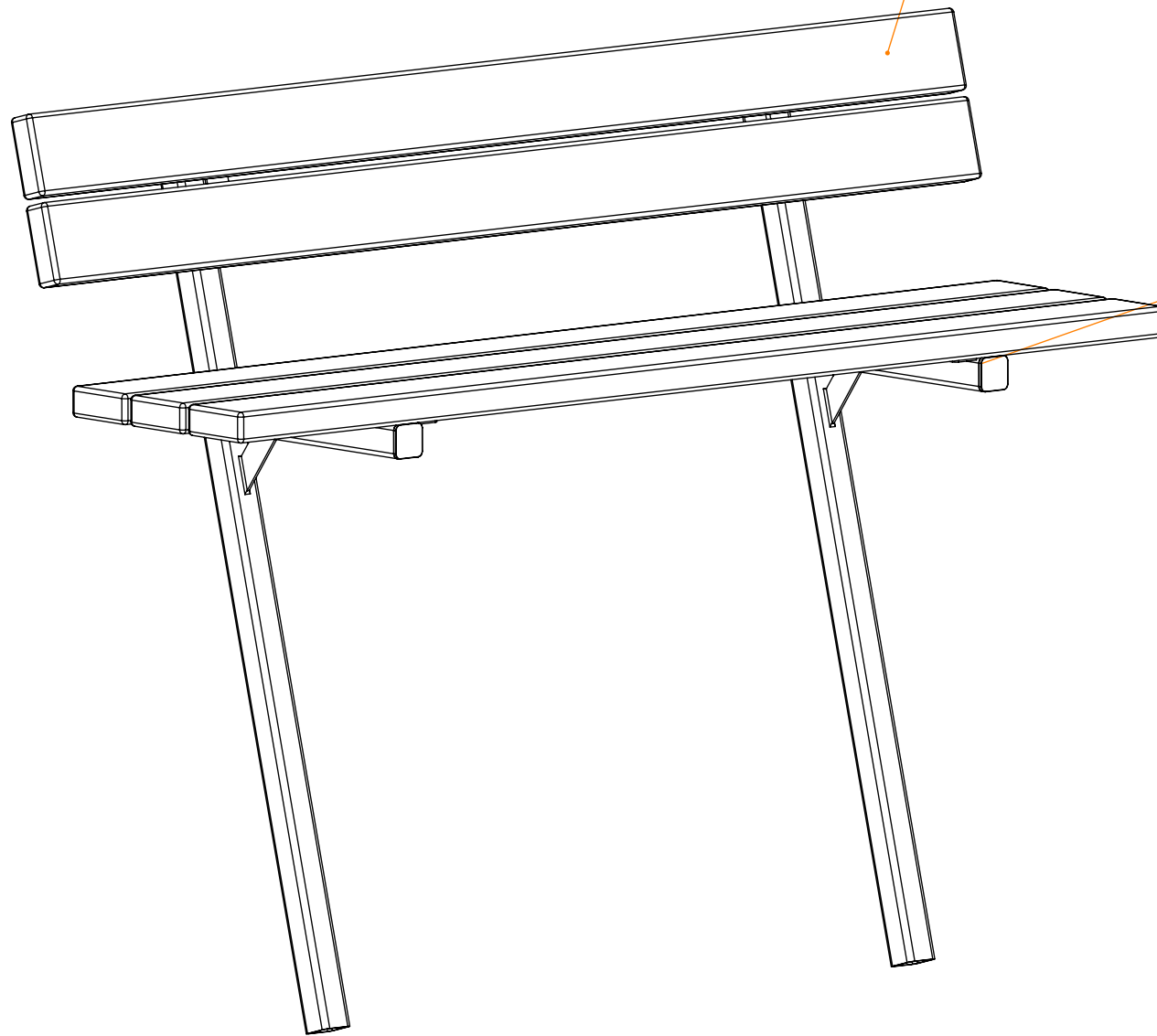
[cm]





STEP 1: Connect the structure with the boards.

Board 12x4,5x175 cm - 5 pcs



Confirmat
M7x40