



**Product technical sheet**

**WOODEN WD1451**



7 - 16 years



14 kids



33,2 m<sup>2</sup>



**Material specification**

- The structure is made of a durable, moisture-resistant and low-temperature recycled composite,
- Platforms made of durable anti-slip and waterproof plywood or HPL plate,
- Structure for platforms made of hot-dip galvanized and powder coated steel;
- The covers are made of recycled HDPE panel, resistant to weather conditions
- Tubular sled made of stainless steel,
- Steel ropes in polypropylene braid, connected with durable plastic elements, stainless steel or aluminum,
- Ladders made of steel ropes in polypropylene braid and rungs made of synthetic material,
- Stainless steel bars, ladders and handrails,
- Screws covered with plastic caps and/or stainless steel screws,
- Safe end caps made of polypropylene,



**Physical development**



sliding



pull-up



climbing

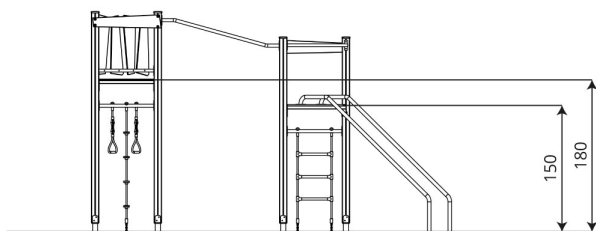
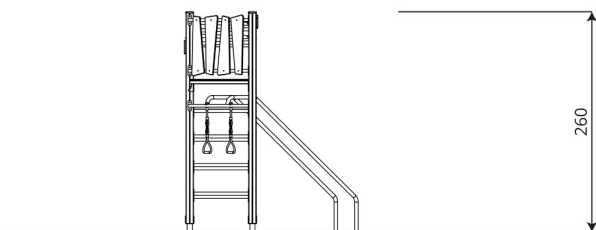
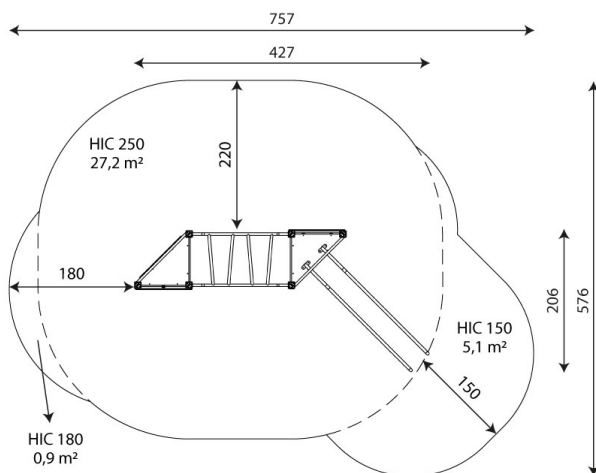




**2**  
number of towers



**7**  
number of activity elements



**Product technical sheet**

**WOODEN WD1451**

**Product data**

Length	427 cm
Width	206 cm
Total height	260 cm
Age group	7 - 16 years
Number of users	14 kids
Safety zone	33,2 m2
Free fall height	250 cm
The height of the platforms	150, 180 cm
In accordance with norm EN	1176-1:2017
Weight of the heaviest part	11 kg
Dimensions of the largest part	306x76x15 cm
Availability of spare parts	YES
Installation time	5,5 h
Color options	

Data is subject to change without prior notice.

**Additional information**

- equipment intended for public playgrounds;
- equipment has a certificate issued by an accredited entity or a declaration of conformity;
- no sharp edges or chinks that would pose a danger of jimmie the head, fingers or any other body parts;
- anchoring on flat surface, 80/70/60 cm deep;
- render is for reference only, the actual appearance of the equipment and its color may vary;

**Guarantee**

**30** 30 year guarantee - Structural strength of steel and stainless steel components

**15** 15 year guarantee - Structural failure of steel and stainless steel, for dynamic equipment

**10** 10 year guarantee - Structural failure of high density polyethylene and high pressure laminates components

**5** 5 year guarantee - Corrosion of stainless steel and hot dip galvanized and powder coated components; against bark beetles and rot in case of wooden structural elements

Detailed information in the guarantee card



## Surfaces according to EN 1176-1:2017

	Description (mm)	Layer thickness (cm)	Maximum fall heights (cm)
Turf/ top layer of soil (A,B,C)	-	-	≤100
bark (A,C)	Particle size from 20 to 80	30	≤200
		40	≤300
woodchips (A,C)	Particle size from 5 to 30	30	≤200
		40	≤300
sand or gravel (A,C)	Particle size from 0,25 to 8	30	≤200
		40	≤300
synthetic attested (A,B,C)	Tested according to EN 1177		250

## Product technical sheet

# WOODEN WD1451

### Amount of safe surface corresponding with free fall height:

HIC 150	5,1 m <sup>2</sup>
HIC 180	0,9 m <sup>2</sup>
HIC 250	27,2 m <sup>2</sup>

Data is subject to change without prior notice.

