

**SOLO WD1427**



1 - 8 years



5 kids



14,5 m<sup>2</sup>

**Material specification**

- The structure is made of a durable, moisture-resistant and low-temperature recycled composite,
- The covers are made of recycled HDPE panel, resistant to weather conditions
- Drawing board made of durable, waterproof plywood or HPL plate, resistant to weather conditions,
- Grips made of synthetic material,
- Stainless steel screws and/or screws covered with plastic caps,



**Facilitating disability**



easy access



integration



**Intellectual development**



manipulation



thinking



**Physical development**



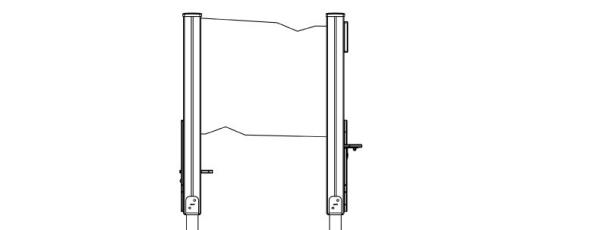
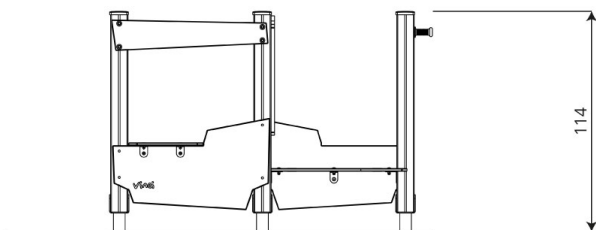
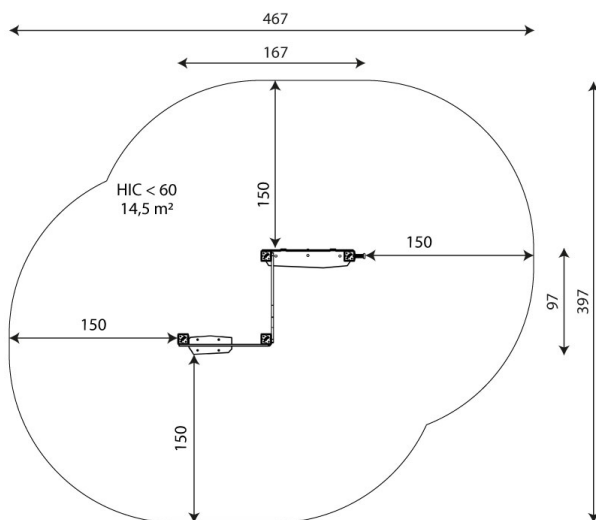
rest





3

number of interactive elements



## Product technical sheet

# SOLO WD1427

### Product data

Length	167 cm
Width	97 cm
Total height	114 cm
Age group	1 - 8 years
Number of users	5 kids
Safety zone	14,5 m2
Free fall height	<60 cm
In accordance with norm EN	1176-1:2017
Weight of the heaviest part	8 kg
Dimensions of the largest part	175x9x9 cm
Availability of spare parts	YES
Installation time	2 h
Color options	

Data is subject to change without prior notice.

### Additional information

- equipment adapted for the disabled; intended for public playgrounds;
- equipment has a certificate issued by an accredited entity or a declaration of conformity;
- no sharp edges or chinks that would pose a danger of jimmie the head, fingers or any other body parts;
- anchoring on flat surface, 80/70/60 cm deep;
- render is for reference only, the actual appearance of the equipment and its color may vary;

### Guarantee

30

30 year guarantee - Structural strength of steel and stainless steel components

15

15 year guarantee - Structural failure of steel and stainless steel, for dynamic equipment

10

10 year guarantee - Structural failure of high density polyethylene and high pressure laminates components

5

5 year guarantee - Corrosion of stainless steel and hot dip galvanized and powder coated components; against bark beetles and rot in case of wooden structural elements

Detailed information in the guarantee card



## Surfaces according to EN 1176-1:2017

	Description (mm)	Layer thickness (cm)	Maximum fall heights (cm)
Turf/ top layer of soil (A,B,C)	-	-	≤100
bark (A,C)	Particle size from 20 to 80	30	≤200
		40	≤300
woodchips (A,C)	Particle size from 5 to 30	30	≤200
		40	≤300
sand or gravel (A,C)	Particle size from 0,25 to 8	30	≤200
		40	≤300
synthetic attested (A,B,C)	Tested according to EN 1177		60

## Product technical sheet

# SOLO WD1427

### Amount of safe surface corresponding with free fall height:

HIC <60 14,5 m<sup>2</sup>

Data is subject to change without prior notice.

