



Product technical sheet

WOODEN WD1407



3 - 14 years



13 kids



27,5 m²



Material specification

- The structure is made of a durable, moisture-resistant and low-temperature recycled composite,
- Platforms and climbing walls made of durable anti-slip and waterproof plywood or HPL plate,
- Structure for platforms made of hot-dip galvanized and powder coated steel;
- Roofs and side panels made of recycled HDPE boards, resistant to weather conditions.
- Slides made of stainless steel with sides made of recycled HDPE boards, resistant to atmospheric conditions,
- Fireman's pole made of stainless steel,
- Handling panels made of recycled HDPE panel, resistant to weather conditions,
- Spherical windows made of polycarbonate,
- Double wall tube passage made of polypropylene,
- Climbing stones made of recycled HDPE plate, resistant to weather conditions,
- Steel ropes in polypropylene braid, connected with durable plastic elements, stainless steel or aluminum,
- Stainless steel bars and handrails,
- Screws covered with plastic caps and/or stainless steel screws,



Facilitating disability



easy access



integration



Intellectual development



manipulation



sight



thinking



Physical development



hiding



sliding



climbing



crawling





2
number of towers



1
number of slides



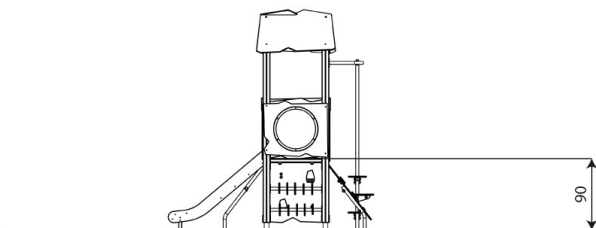
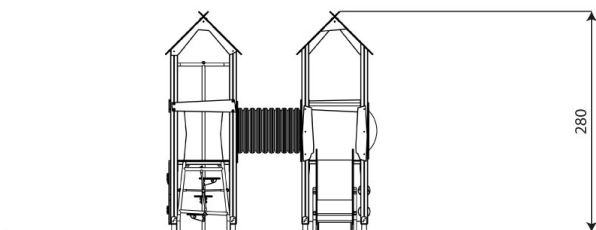
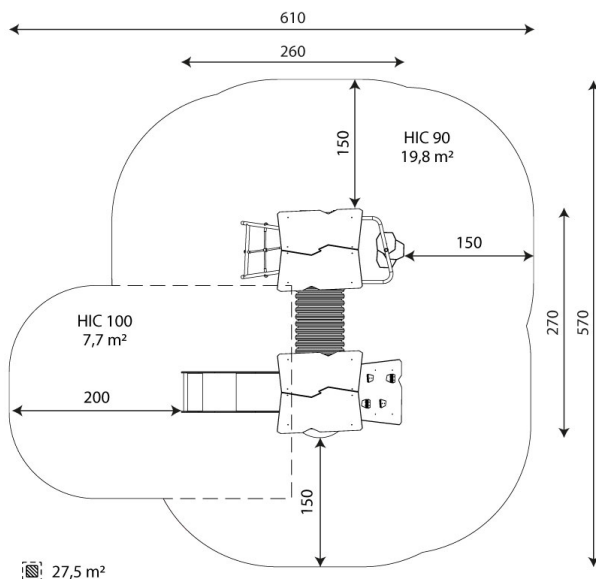
2
number of roofs



2
number of interactive elements



3
number of activity elements



Product technical sheet

WOODEN WD1407

Product data

| | |
|--------------------------------|--------------|
| Length | 260 cm |
| Width | 270 cm |
| Total height | 280 cm |
| Age group | 3 - 14 years |
| Number of users | 13 kids |
| Safety zone | 27,5 m2 |
| Free fall height | 90 cm |
| The height of the platforms | 90 cm |
| slide platform height | 90 cm |
| In accordance with norm EN | 1176-1:2017 |
| Weight of the heaviest part | 25 kg |
| Dimensions of the largest part | 302x9x9 cm |
| Availability of spare parts | YES |
| Installation time | 6,0 h |
| Color options | |

Data is subject to change without prior notice.

Additional information

- equipment adapted for the disabled; intended for public playgrounds;
- equipment has a certificate issued by an accredited entity or a declaration of conformity;
- no sharp edges or chinks that would pose a danger of jimming the head, fingers or any other body parts;
- anchoring on flat surface, 80/70/60 cm deep;
- slide should not be installed southwards;
- render is for reference only, the actual appearance of the equipment and its color may vary;

Guarantee

30

30 year guarantee - Structural strength of steel and stainless steel components

15

15 year guarantee - Structural failure of steel and stainless steel, for dynamic equipment

10

10 year guarantee - Structural failure of high density polyethylene and high pressure laminates components

5

5 year guarantee - Corrosion of stainless steel and hot dip galvanized and powder coated components; against bark beetles and rot in case of wooden structural elements

Detailed information in the guarantee card

Vinci Group Sp. z o.o.
Seminarnyja 9 Street
99-400 Łowicz

VAT: 534-250-14-46
PHONE: +48 42 203 24 99 ext. 26
M: +48 793 404 991



biuro@vinci-play.com
info@vinci-play.com
www.vinci-play.com

Surfaces according to EN 1176-1:2017

| | Description (mm) | Layer thickness (cm) | Maximum fall heights (cm) |
|---------------------------------|------------------------------|----------------------|---------------------------|
| Turf/ top layer of soil (A,B,C) | - | - | ≤100 |
| bark (A,C) | Particle size from 20 to 80 | 30 | ≤200 |
| | | 40 | ≤300 |
| woodchips (A,C) | Particle size from 5 to 30 | 30 | ≤200 |
| | | 40 | ≤300 |
| sand or gravel (A,C) | Particle size from 0,25 to 8 | 30 | ≤200 |
| | | 40 | ≤300 |
| synthetic attested (A,B,C) | Tested according to EN 1177 | | 100 |

Product technical sheet

WOODEN WD1407

Amount of safe surface corresponding with free fall height:

HIC 90 19,8 m²

HIC 100 7,7 m²

Data is subject to change without prior notice.

