



Product technical sheet

SOLO 0800



1 - 12 years



1 kids



8,7 m²

Material specification

- Hot-dip galvanized steel construction,
- Elements made from recycled HDPE plates, resistant to weather conditions,
- Screws covered with plastic caps and/or stainless steel screws,



Facilitating disability



easy access



integration



Intellectual development

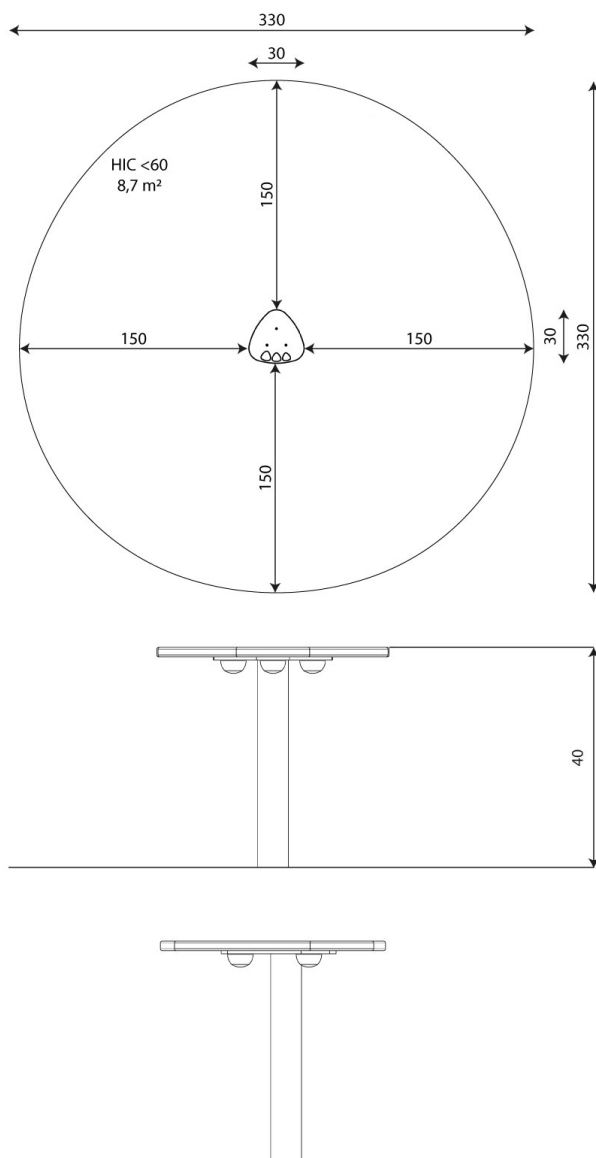


le sensoriel





1
number of interactive elements



Product technical sheet

SOLO 0800

Product data

Length	30 cm
Width	30 cm
Total height	40 cm
Age group	1 - 12 years
Number of users	1 kids
Safety zone	8,7 m ²
Free fall height	<math>< 60</math> cm
In accordance with norm EN	1176-1:2017
Weight of the heaviest part	7 kg
Dimensions of the largest part	105x30x30 cm
Availability of spare parts	YES
Installation time	0,5 h
Color options	

Data is subject to change without prior notice.

Additional information

- equipment adapted for the disabled; intended for public playgrounds;
- equipment has a certificate issued by an accredited entity or a declaration of conformity;
- no sharp edges or chinks that would pose a danger of jimmie the head, fingers or any other body parts;
- anchoring on flat surface, 80/70/60 cm deep;
- render is for reference only, the actual appearance of the equipment and its color may vary;

Guarantee

30 30 year guarantee - Structural strength of steel and stainless steel components

15 15 year guarantee - Structural failure of steel and stainless steel, for dynamic equipment

10 10 year guarantee - Structural failure of high density polyethylene and high pressure laminates components

5 5 year guarantee - Corrosion of stainless steel and hot dip galvanized and powder coated components; against bark beetles and rot in case of wooden structural elements

Detailed information in the guarantee card

Vinci Group Sp. z o.o.
Seminarnyja 9 Street
99-400 Łowicz

VAT: 534-250-14-46
PHONE: +48 42 203 24 99 ext. 26
M: +48 793 404 991



biuro@vinci-play.com
info@vinci-play.com
www.vinci-play.com

Surfaces according to EN 1176-1:2017

	Description (mm)	Layer thickness (cm)	Maximum fall heights (cm)
Turf/ top layer of soil (A,B,C)	-	-	≤100
bark (A,C)	Particle size from 20 to 80	30	≤200
		40	≤300
woodchips (A,C)	Particle size from 5 to 30	30	≤200
		40	≤300
sand or gravel (A,C)	Particle size from 0,25 to 8	30	≤200
		40	≤300
synthetic attested (A,B,C)	Tested according to EN 1177		<60

Product technical sheet

SOLO 0800

Amount of safe surface corresponding with free fall height:

HIC <60 8,7 m²

Data is subject to change without prior notice.

