



Product technical sheet

HOOP 0712



3 - 12 years



2 kids



17,6 m²

Material specification

- Powder galvanized and powder coated steel construction,
- The platform is made of recycled HDPE panel, resistant to weather conditions
- Steel springs 20 mm, iron phosphorated and powder coated,
- Stainless steel handrails,
- Screws covered with plastic caps and/or stainless steel screws,



Physical development

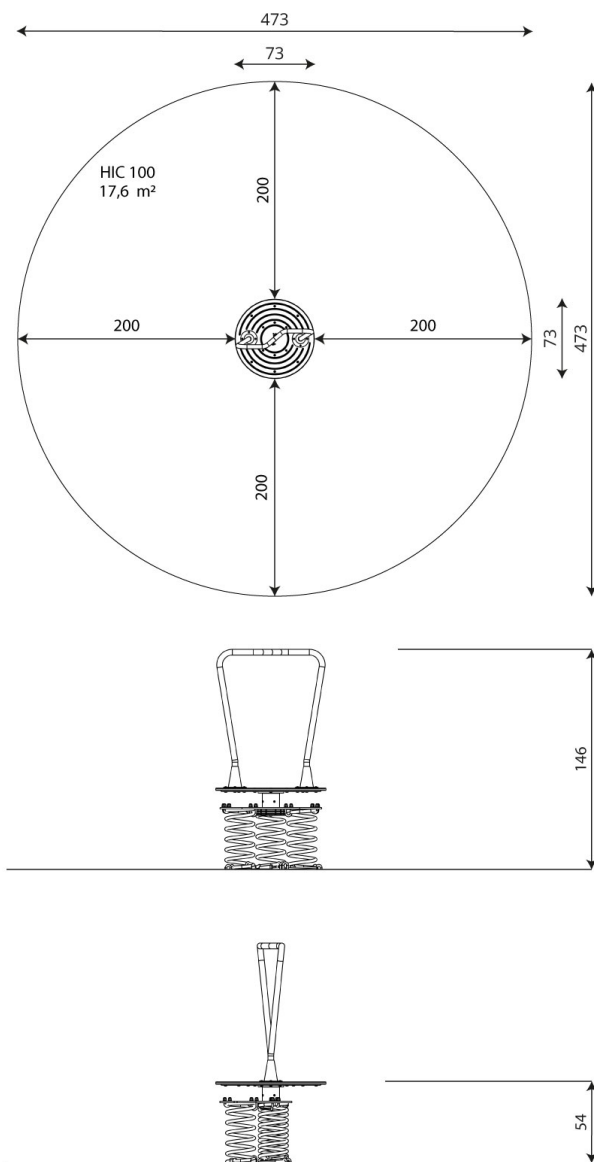


balance



rocking





Product technical sheet

HOOP 0712

Product data

Length	73 cm
Width	73 cm
Total height	146 cm
Age group	3 - 12 years
Number of users	2 kids
Safety zone	17,6 m ²
Free fall height	<60 cm
The height of the platforms	54 cm
In accordance with norm EN	1176-1:2017
Weight of the heaviest part	10 kg
Dimensions of the largest part	92x72x19 cm
Availability of spare parts	YES
Installation time	1,5 h
Color options	

Data is subject to change without prior notice.

Additional information

- equipment intended for public playgrounds;
- equipment has a certificate issued by an accredited entity or a declaration of conformity;
- no sharp edges or chinks that would pose a danger of jimmie the head, fingers or any other body parts;
- anchoring on flat surface, 80/70/60 cm deep;
- render is for reference only, the actual appearance of the equipment and its color may vary;

Guarantee

30 30 year guarantee - Structural strength of steel and stainless steel components

15 15 year guarantee - Structural failure of steel and stainless steel, for dynamic equipment

10 10 year guarantee - Structural failure of high density polyethylene and high pressure laminates components

5 5 year guarantee - Corrosion of stainless steel and hot dip galvanized and powder coated components; against bark beetles and rot in case of wooden structural elements

Detailed information in the guarantee card



HOOP 0712

Surfaces according to EN 1176-1:2017

	Description (mm)	Layer thickness (cm)	Maximum fall heights (cm)
Turf/ top layer of soil (A,B,C)	-	-	≤100
bark (A,C)	Particle size from 20 to 80	30	≤200
		40	≤300
woodchips (A,C)	Particle size from 5 to 30	30	≤200
		40	≤300
sand or gravel (A,C)	Particle size from 0,25 to 8	30	≤200
		40	≤300
synthetic attested (A,B,C)	Tested according to EN 1177		100

Amount of safe surface corresponding with free fall height:

HIC 100 17,6 m²

Data is subject to change without prior notice.

