

SPRING 0630



1 - 12 years



2 kids



13.8 m²

Material specification

- Powder galvanized and powder coated steel construction,
- Backrests and side panels made of recycled HDPE plate, resistant to weather conditions,
- Seats made of durable anti-slip and waterproof HPL plate, resistant to weather conditions,
- Steel springs 20 mm, iron phosphorated and powder coated,
- Stainless steel bars,
- Grips made of synthetic material,
- Screws covered with plastic caps and/or stainless steel screws,



Facilitating disability



easy access



handrails



integration

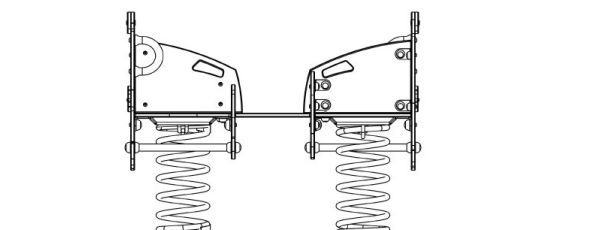
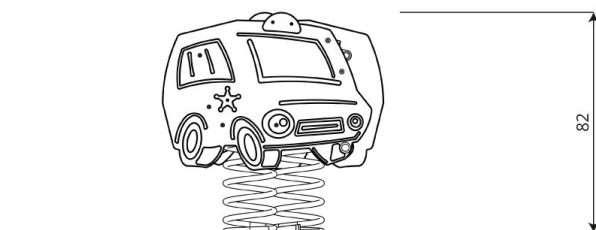
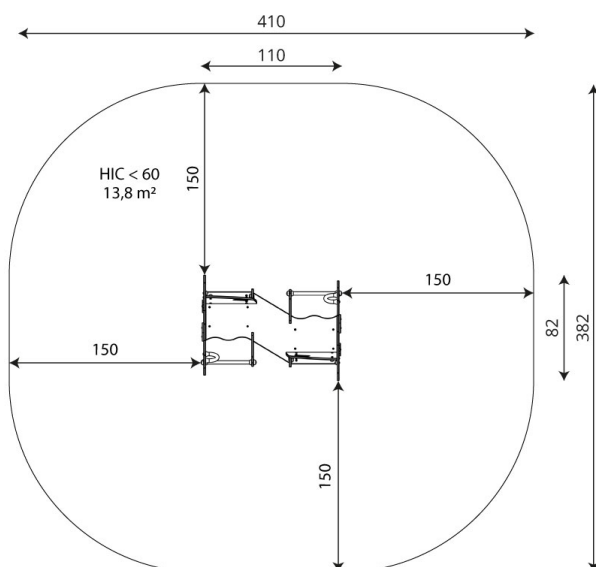


Physical development



rocking





Product technical sheet

SPRING 0630

Product data

Length	110 cm
Width	82 cm
Total height	82 cm
Age group	1 - 12 years
Number of users	2 kids
Safety zone	13.8 m ²
Free fall height	<60 cm
In accordance with norm EN	1176-1:2017
Weight of the heaviest part	10 kg
Dimensions of the largest part	103x56x2 cm
Availability of spare parts	YES
Installation time	1,5 h
Color options	

Data is subject to change without prior notice.

Additional information

- equipment adapted for the disabled; intended for public playgrounds;
- equipment has a certificate issued by an accredited entity or a declaration of conformity;
- no sharp edges or chinks that would pose a danger of jimmie the head, fingers or any other body parts;
- anchoring on flat surface, 80/70/60 cm deep;
- render is for reference only, the actual appearance of the equipment and its color may vary;

Guarantee

30 30 year guarantee - Structural strength of steel and stainless steel components

15 15 year guarantee - Structural failure of steel and stainless steel, for dynamic equipment

10 10 year guarantee - Structural failure of high density polyethylene and high pressure laminates components

5 5 year guarantee - Corrosion of stainless steel and hot dip galvanized and powder coated components; against bark beetles and rot in case of wooden structural elements

Detailed information in the guarantee card



Surfaces according to EN 1176-1:2017

	Description (mm)	Layer thickness (cm)	Maximum fall heights (cm)
Turf/ top layer of soil (A,B,C)	-	-	≤100
bark (A,C)	Particle size from 20 to 80	30	≤200
		40	≤300
woodchips (A,C)	Particle size from 5 to 30	30	≤200
		40	≤300
sand or gravel (A,C)	Particle size from 0,25 to 8	30	≤200
		40	≤300
synthetic attested (A,B,C)	Tested according to EN 1177		60

Product technical sheet

SPRING 0630

Amount of safe surface corresponding with free fall height:

HIC <60 13,8 m²

Data is subject to change without prior notice.

